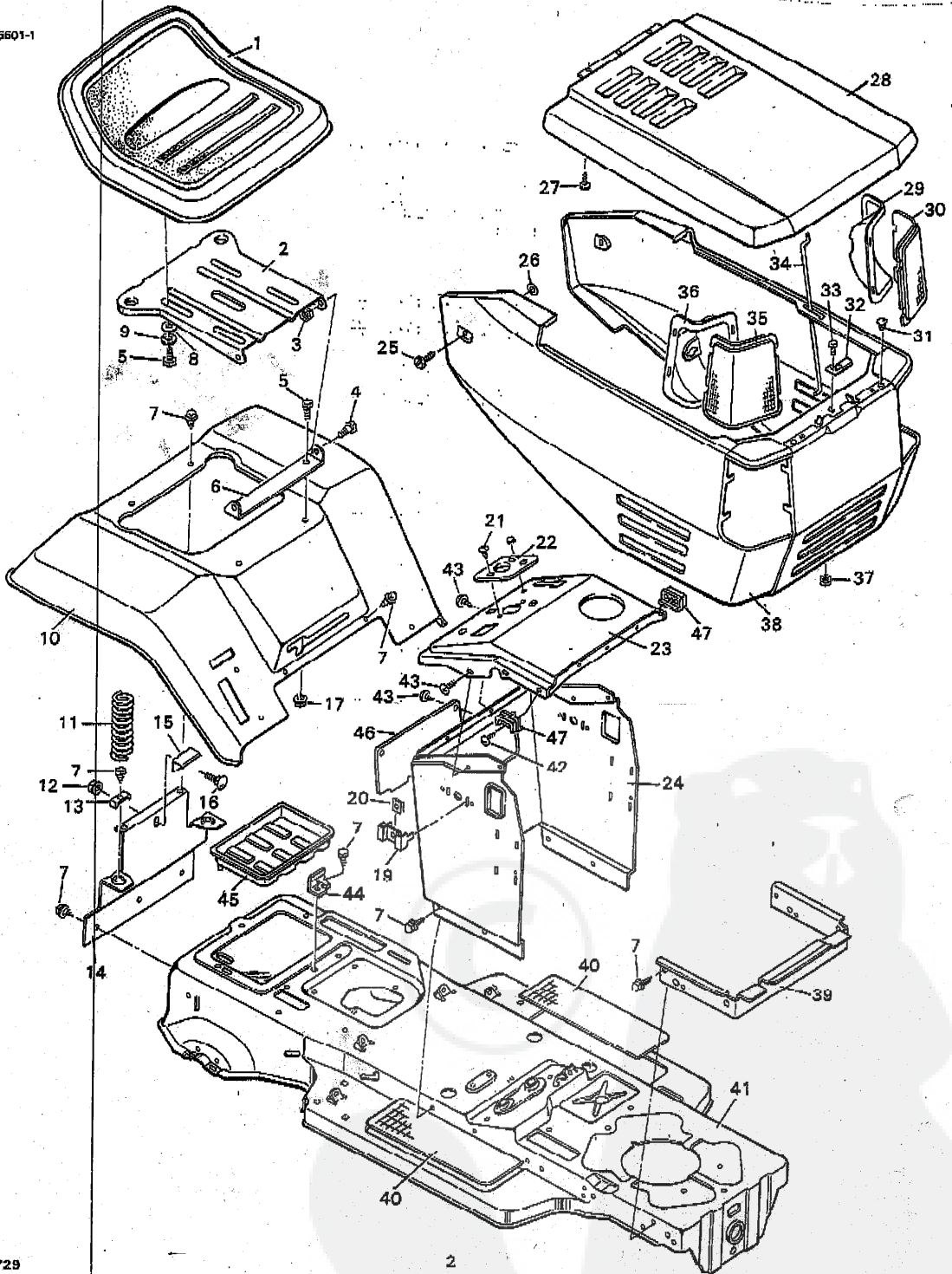


MODEL NO. 9-40715x20

CHASSIS & HOOD

73-8601-1



F-89729

MODEL NO. 9-40715x20

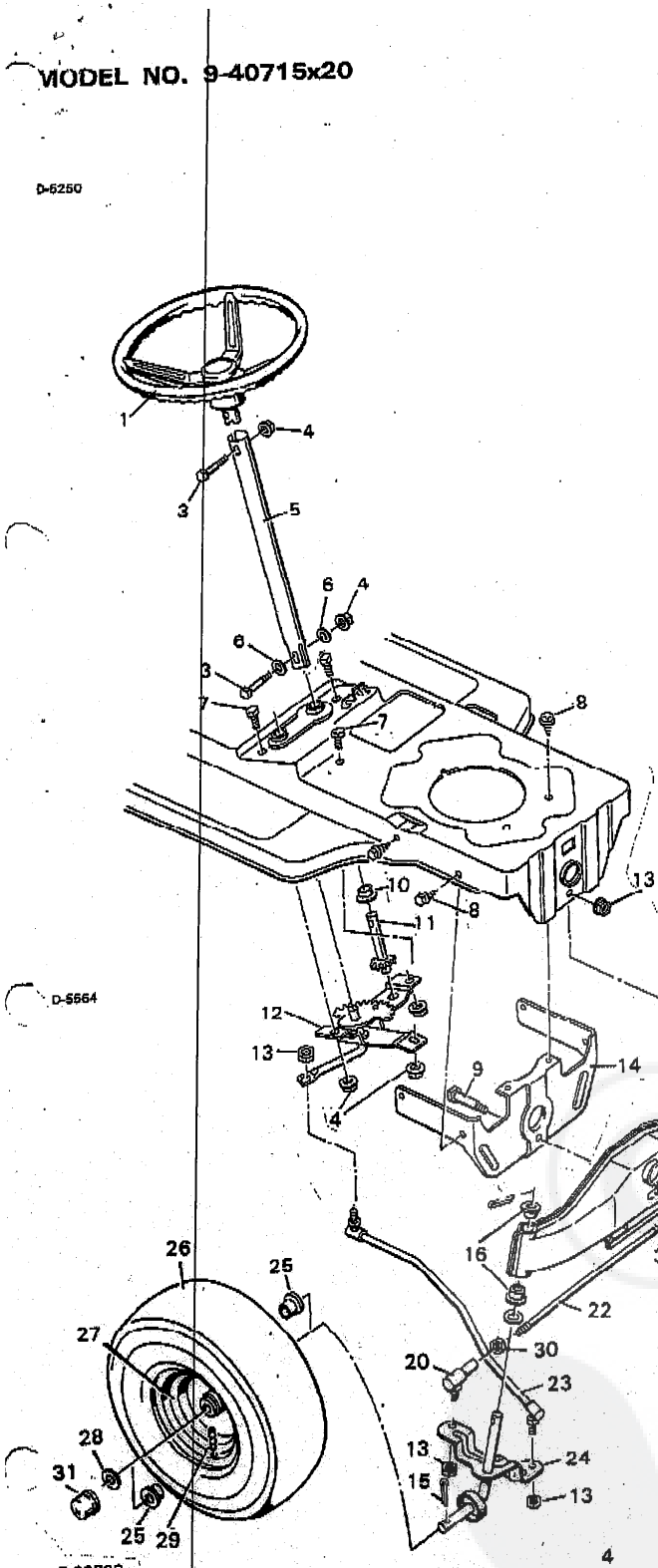
CHASSIS & HOOD

KEY NO.	DESCRIPTION	PART NO.
1	Seat	91450
2	Support, Seat	91044F200
3	Locknut, Flange	15x84
4	Bolt, Shoulder	9x17
5	Bolt, Hex	1x45
6	Bracket, Seat Pivot	90031F200
7	Screw	26x49
8	Washer	17x477
9	Lockwasher	18x16
10	Seat Deck	91387F200
11	Spring	164x17
12	Locknut	15x76
13	Retainer, Spring	90014F200
14	Support, Seat Deck	90633F200
15	Clamp, Battery	90632Z
16	Bolt, Carriage	2x53Z
17	Locknut, Flange	15x88
19	Spacer	91314F200
20	Roceptacle	28x52
21	Screw	26x238
22	Bearing, Steering	91346
23	Dash Panel Assembly	91328F200
24	Console	91305F200
25	Screw	91330
26	Retainer	90815
27	Screw	26x215
28	Hood and Hinge Assembly	91376F200
29	Reflector, Left Headlamp	91341C
30	Lens, Left Headlight	91319
31	Bumper	91323
32	Spring, Hood Latch	91322
33	Bolt	6x91
34	Rod, Hood Stop	91370Z
35	Lens, Right Headlight	91318
36	Reflector, Right Headlamp	91340C
37	Locknut	15x66
38	Grille Assembly	91337F200
39	Frame Extension	91315F200
40	Mat, Foot Rest	91900
41	Frame Channel	90001F200
42	Screw	26x201
43	Screw	26x235
44	Clip, Battery	55149F200
45	Tray, Battery	91895
46	Panel, Access	91419
47	Spacer	91599

F-89729

MODEL NO. 9-40715x20

D-6250



D-5664

STEERING

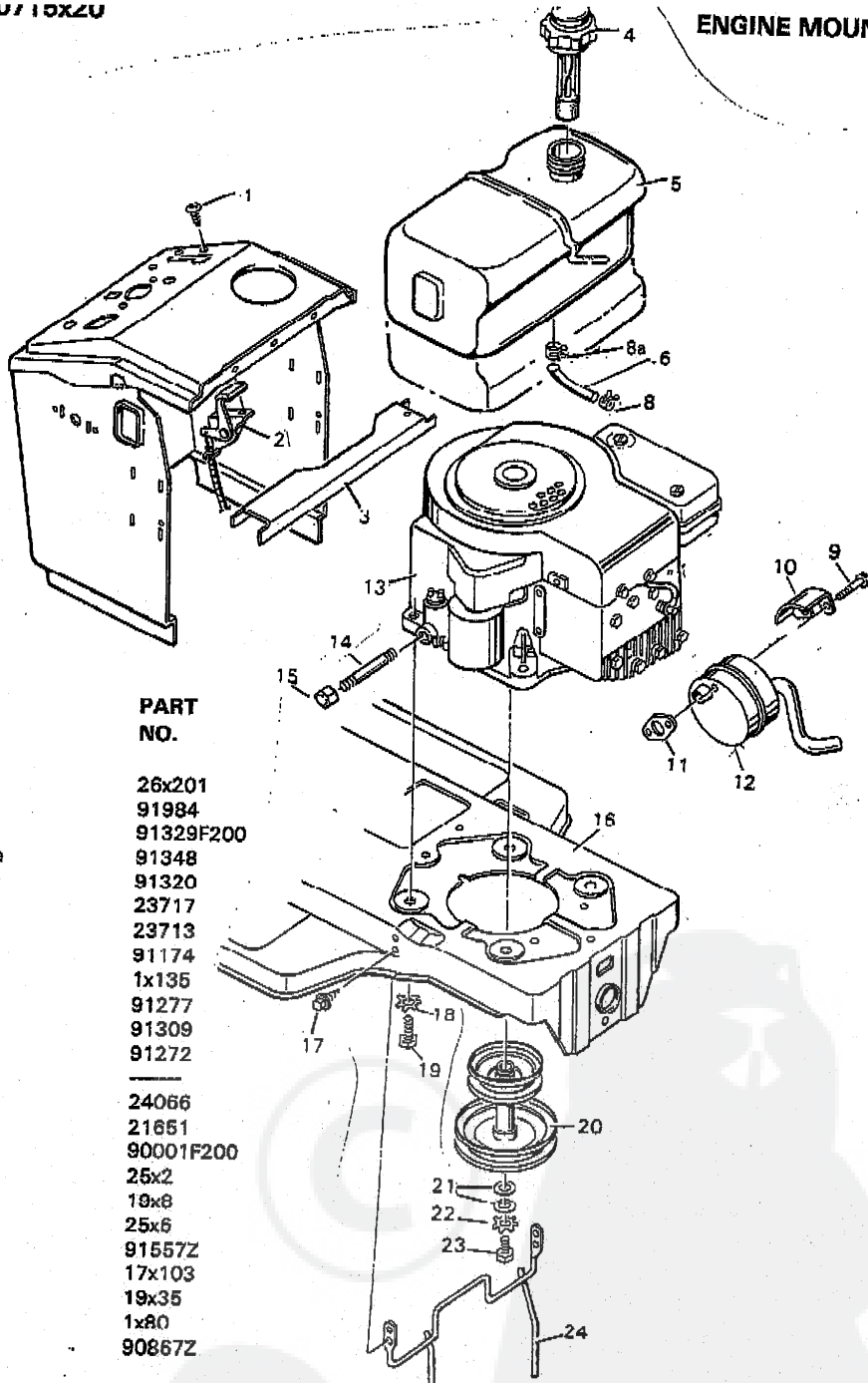
KEY NO.	DESCRIPTION	PART NO.
1	Steering Wheel	91836
3	Bolt, Hex	1x102
4	Locknut	15x88
5	Steering Post	91444C
6	Washer	17x47Z
7	Bolt, Hex	1x45
8	Screw	26x49
9	Bolt, Hex	1x101
10	Bearing	90035
11	Pinion Gear & Shaft	91445
12	Sector Gear Assembly	90025
13	Locknut, Flange	15x87
14	Support, Front Axle	90002F200
15	Cotter Pin	30x49
16	Bearing	90035
17	Axle Assembly	90034F200
18	Washer	17x113
19	Spindle, Left	91461F200
20	Ball Joint	21031
22	Tie Rod	21475T
23	Drag Link Assembly	90041F200
24	Spindle, Right	91460F200
25	Bearing	91334
26	Tire Only **	24376
-	Inner Tube	407047
27	Wheel Only	91633E804
28	Washer, Hub Caps Only	17x115Z
-	Washer, Without Hub Caps	17x83
29	Valve Stem & Cap	24373
30	Nut, Hex	15x61
31	Hub Cap, Optional	21662

** When you order a tire, make sure to give the brand name of the tire so that the tread pattern on the tire will match.

MODEL NO. 5-40715X2U

D-6561

ENGINE MOUNT



**KEY
NO. DESCRIPTION**

**PART
NO.**

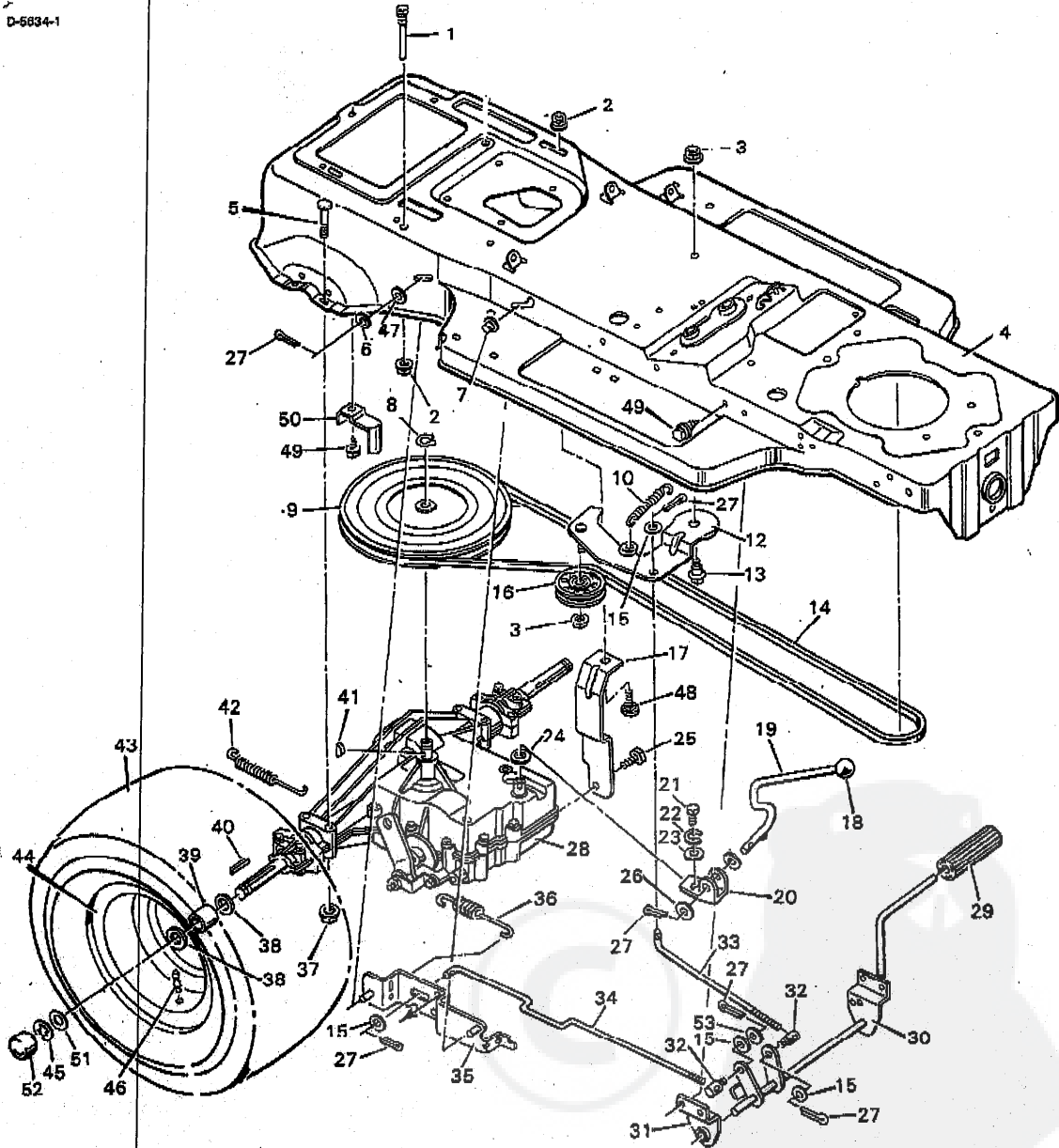
1	Screw	26x201
2	Throttle Control	91984
3	Support, Fuel Tank	91329F200
4	Fuel Cap with Gauge	91348
5	Fuel Tank	91320
6	Fuel Line	23717
8	Clamp, Hose	23713
8a	Clamp, Fuel Line	91174
9	Bolt, Hex	1x135
10	Heat Shield	91277
11	Gasket	91309
12	Muffler	91272
13	Engine *	-----
14	Pipe, Oil Drain	24066
15	Cap, Oil Drain	21851
16	Frame Channel	90001F200
17	Screw	25x2
18	Star Washer	19x8
19	Bolt, Engine Mount	25x6
20	Pulley, Engine Stack	91557Z
21	Washer	17x103
22	Star Washer	19x35
23	Bolt, Hex	1x80
24	Guide, Belt	90867Z

* The engine model, type, and code numbers are on the engine. All parts to the engine are available from a Briggs & Stratton Authorized Service Center. See "Engines, Gasoline" or "Gasoline Engines" in the yellow pages of the telephone directory.

F-89729

5

D-6834-1



9

F-89729

MODEL NO. 9-40715x20

MOTION DRIVE

KEY NO.	DESCRIPTION	PART NO.
1	Bolt, Belt Guide	20619
2	Nut, Flange	15x79Z
3	Locknut, Flange	15x84
4	Frame Channel	90001F200
5	Bolt, Hex	1x98
6	Washer	17x116Z
7	Retainer, Parking Brake	28x48
8	Ring, Retainer	11x7
9	Pulley, Drive	91170
10	Spring, Extension	165x39
12	Idler Bracket Assembly	90011Z
13	Bolt, Shoulder	9x12
14	Belt, Drive	37x45
15	Washer	17x53Z
16	Pulley, Idler	91179
17	Support, Transaxle	91388Z
18	Knob, Shift Lever	20739
19	Lever, Shift	91390Z
20	Yoke, Shifter	90812Z
21	Bolt, Hex	1x82
22	Lockwasher	18x32
23	Washer	17x37Z
24	Washer	17x134
25	Screw	26x207
26	Washer	17x102
27	Pin, Cotter	30x20
28	Transaxle ** (Peerless Model No. 920-005)	—
29	Clutch and Brake Pedal	21544E701
30	Lever Assembly	90766F200
31	Bracket, Support	90013F200
32	Nut, Adjustable	21920
33	Rod, Clutch	90066Z
34	Rod, Brake	90067Z
35	Brake Link Assembly	90068F200
36	Spring, Brake	165x47
37	Locknut, Flange	15x88
38	Washer	17x160
39	Spacer, Axle	91394Z
40	Key, Square	21553
41	Key, Woodruff #9	20697
42	Spring	165x34
43	Tire Only *	24375
—	Tube Only	407049
44	Wheel Only	91627E804
45	E-Ring	11x3
46	Valve Stem and Cap	24373
47	Washer	17x47Z
48	Bolt, Carriage	2x53Z
49	Screw	26x49
50	Guide, Belt	90694F200
51	Washer	17x115
52	Hub Cap -Optional	21662
53	Washer	17x125

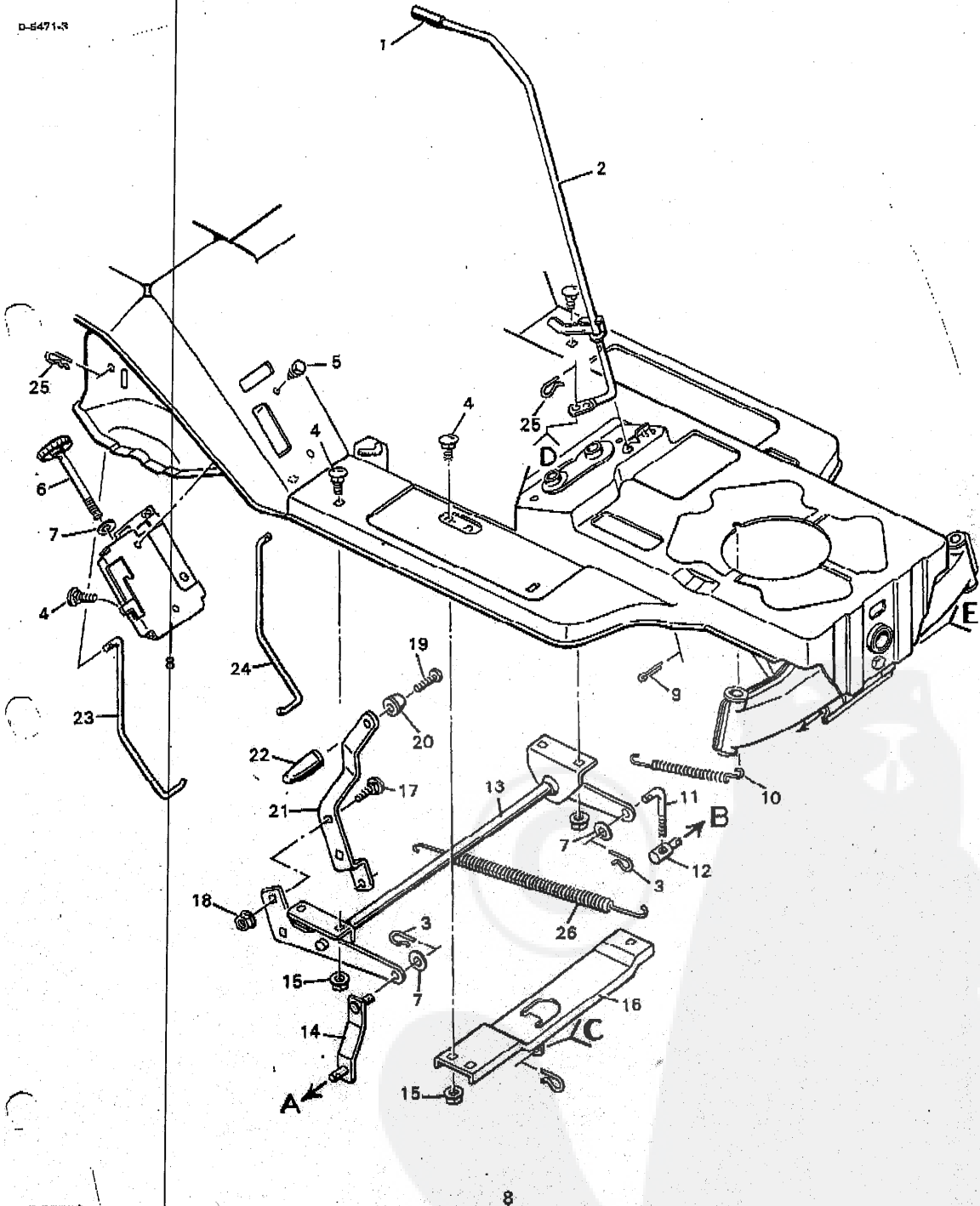
* When you order a tire, make sure to give the brand name of the tire so that the tread pattern on the tire will match.

** Parts are available from a Tecumseh Authorized Service Center. See "Engines, Gasoline" or "Gasoline Engines" in the yellow pages of the telephone directory.

MODEL NO. 9-40715x20

MOWER HOUSING SUSPENSION

D-5471-R



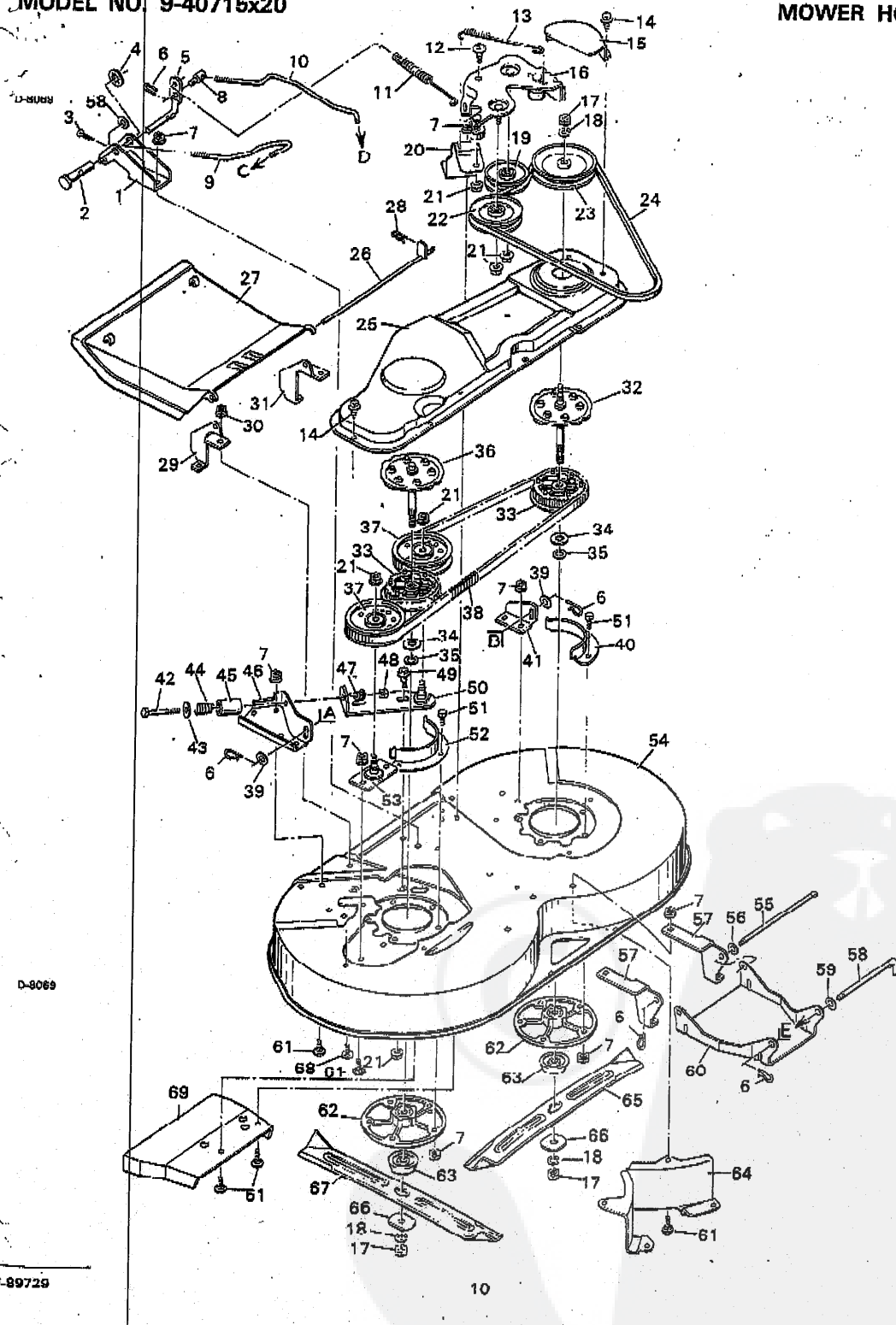
MOWER HOUSING SUSPENSION

KEY NO.	DESCRIPTION	PART NO.
1	Grip	20476
2	Lever, Blade Control	91351 Z
3	Pin, Hair *	31x4
4	Bolt, Carriage	2x64
5	Screw	26x49
6	Adjuster Screw Assembly	90078 Z
7	Washer *	17x53 Z
8	Bracket, Adjuster	404063
9	Pin, Cotter	30x20
10	Spring, Extension	165x32
11	Rod, Adjuster *	23704 Z
12	Nut, Adjustable *	21920
13	Lifter Assembly	90825F200
14	Link Assembly *	90754 Z
15	Hex Nut	15x79
16	Support, Channel	90028F200
17	Bolt, Carriage	2x57
18	Locknut	15x84
19	Screw	3x149
20	Cap, Lift Lever Knob	55440
21	Handle, Lifter	90801F200
22	Knob, Lift Lever	55439
23	Rod, Chute Right *	90888 Z
24	Rod, Chute Left *	90889 Z
25	Hair Pin *	31x6
26	Spring, Extension	165x65

* The part is also included with the complete Mower Housing.

MODEL NO. 9-40715x20

MOWER HOUSING



D-8069

F-99729

MODEL NO. 9-40715x20

MOWER HOUSING

KEY NO.	DESCRIPTION
1	Bracket, Rear Hanger
2	Bar, Adjusting
3	Pin, Cotter
4	Nut, Push
5	Lever, Deck Pivot
6	Pin, Hair
7	Nut, Hex
8	Nut, Adjustable
9	Rod, Link
10	Rod, Control
11	Spring, Extension
12	Bolt, Shoulder
13	Spring, Extension
14	Screw
15	Guard, Pulley
16	Brake Assembly, Idler and
17	Locknut
18	Lockwasher
19	Pulley, Idler
20	Bracket, Idler Support *
21	Locknut
22	Pulley, Idler
23	Pulley
24	Belt, Mower Drive
25	Cover, Blade Drive
26	Pin, Deflector Pivot
27	Deflector
28	Pin, Hair
29	Bracket, Right Chute
30	Locknut
31	Bracket, Left Chute
32	Shaft Assembly, Left Spline
33	Sprocket, HTD
34	Washer
35	Washer

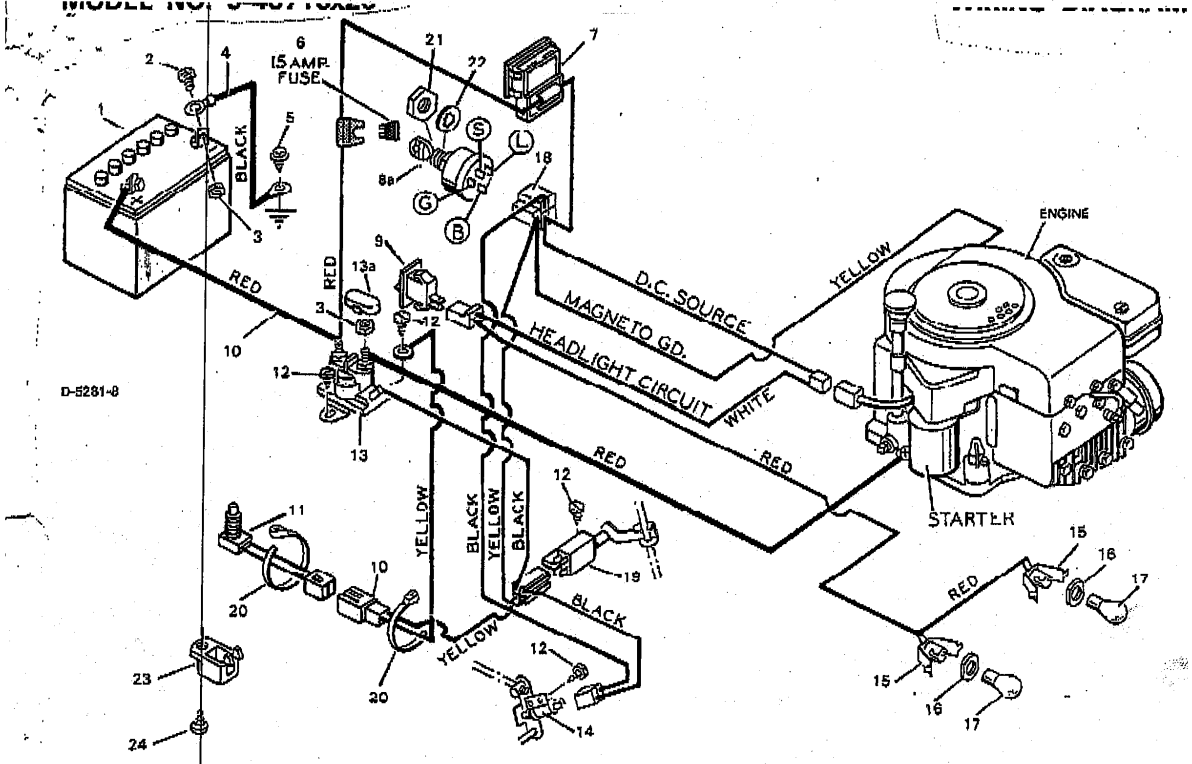
PART NO.	KEY NO.	DESCRIPTION
90881E701	36	Shaft Assembly, Right Spline
90907	37	Pulley, Flat Idler
30x20	38	Belt, Blade Drive
28x54	39	Washer
90339Z	40	Guide, Left Belt
31x4	41	Bracket, Lifter
15x79Z	42	Bolt
91164	43	Washer
90544Z	44	Spring, Compression
91166Z	45	Absorber
165x63	46	Bracket, Idler & Deck Lift
9x12	47	Nut, Jam
165x61	48	Locknut, Flange
26x214	49	Bolt, Shoulder
90858E701	50	Bracket Assembly, Idler
407076	51	Bolt, Hex
15x101	52	Guide, Right Belt
18x33	53	Bracket Assembly, Idler
23238	55	Rod, Hanger
90859E701	56	Washer
15x84	57	Bracket, Front Hanger
90315	58	Pin, Pull
90872	59	Washer
37x40	60	Hanger, Front
90898E701	61	Bolt, Carriage
91219Z	62	Housing, Mandrell
91399E701	63	Adapter, Blade
31x6	64	Baffle, Front
90863E701	65	Blade, Left
15x88	66	Washer
90864E701	67	Blade, Right
90882	68	Bolt, Hex
90875	69	Plate, Deflector
17x157		1-70 Mower Housing -complete +
17x149		

PART NO.	DESCRIPTION
90883	
90865	
37x60	
17x53Z	
90893Z	
90103E701	
1x123	
17x158	
164x18	
90895	
90894E701	
15x73	
15x88	
9x14	
90880Z	
1x84	
90892Z	
91412E701	
90107Z	
17x57Z	
90854E701	
90827Z	
17x122Z	
90106E701	
2x53Z	
90905	
90891	
91211E701	
91213HT	
20663Z	
91212HT	
1x45	
91214E701	
403221	

+ This part number includes key numbers 1 to 70.

Base Housing =

MU 91222 E706



D-5281-8

KEY

NO.	DESCRIPTION
1	Battery Type U1-9
-	Electrolyte (Battery Acid)
-	Battery Caps
2	Bolt, Hex
3	Locknut
4	Battery Cable, Black
5	Screw
6	Fuse
-	Holder, Fuse
7	Ammeter Assembly
8	Ignition Switch
8a	Key Only
9	Light Switch
10	Wire Harness
11	Switch, Seat

PART NO.	DESCRIPTION
21075	Screw
90665	Solenoid
400262	13a Cover, Solenoid
1x38	Switch, Limit
15x66	Light Socket Assembly
24x9	Washer, Light Socket
54212	Headlight Bulb
407078	Wiring Harness
90729	Switch, PTO
21084	Tie Strap
20729	Nut, Hex
90647	Washer, Star
250x2	Cover, Seat Switch
91031SE	Screw

KEY

NO.	DESCRIPTION	PART NO.
12	Screw	26x233
13	Solenoid	24285
13a	Cover, Solenoid	56049
14	Switch, Limit	24273
15	Light Socket Assembly	90155
16	Washer, Light Socket	90228
17	Headlight Bulb	90084
18	Wiring Harness	250x1
19	Switch, PTO	91299
20	Tie Strap	32618
21	Nut, Hex	15x105
22	Washer, Star	19x40
23	Cover, Seat Switch	56062
24	Screw	26x159

F-89729

12