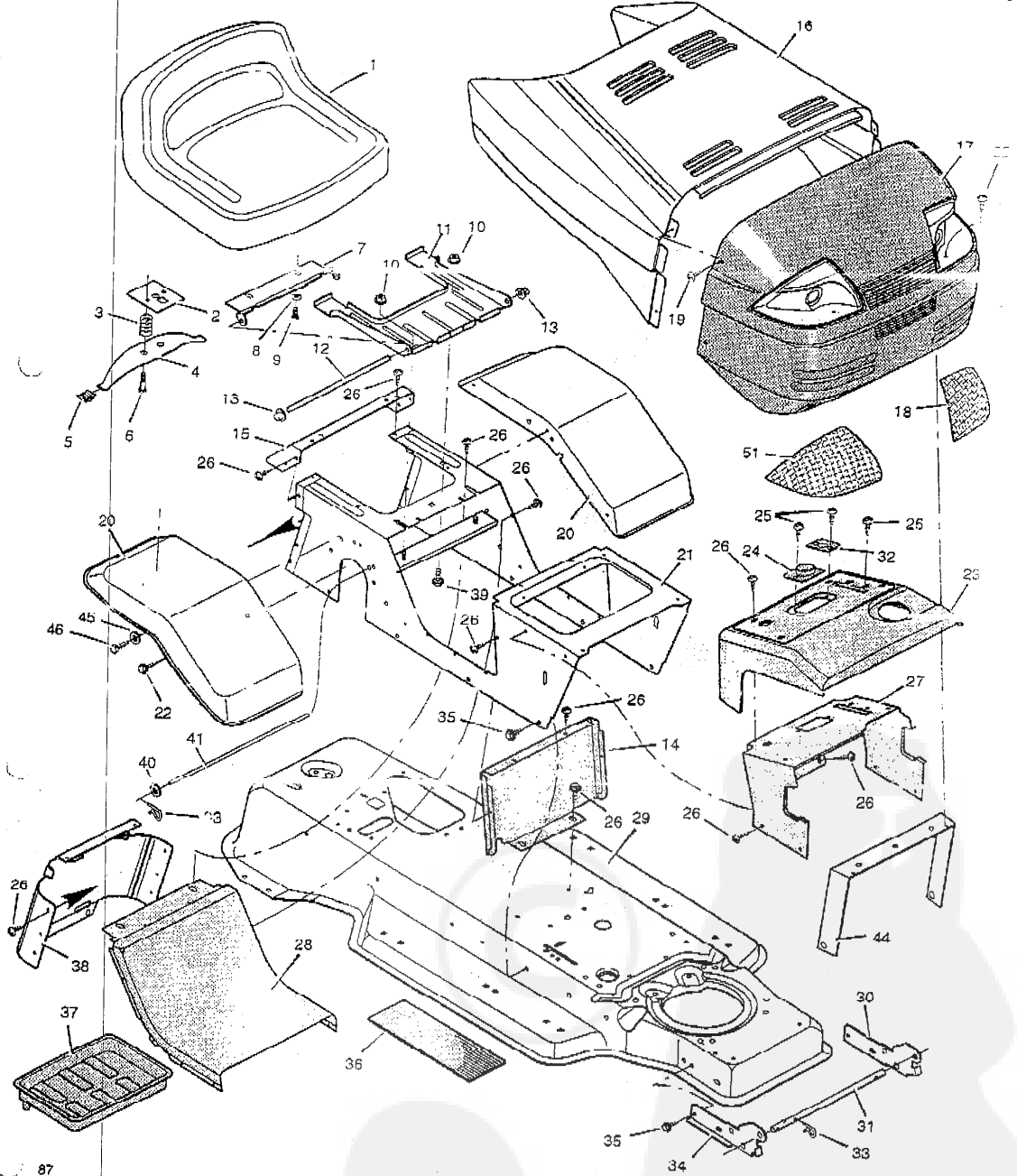


# MODEL 40903x20A

## REPAIR PARTS CHASSIS & HOOD

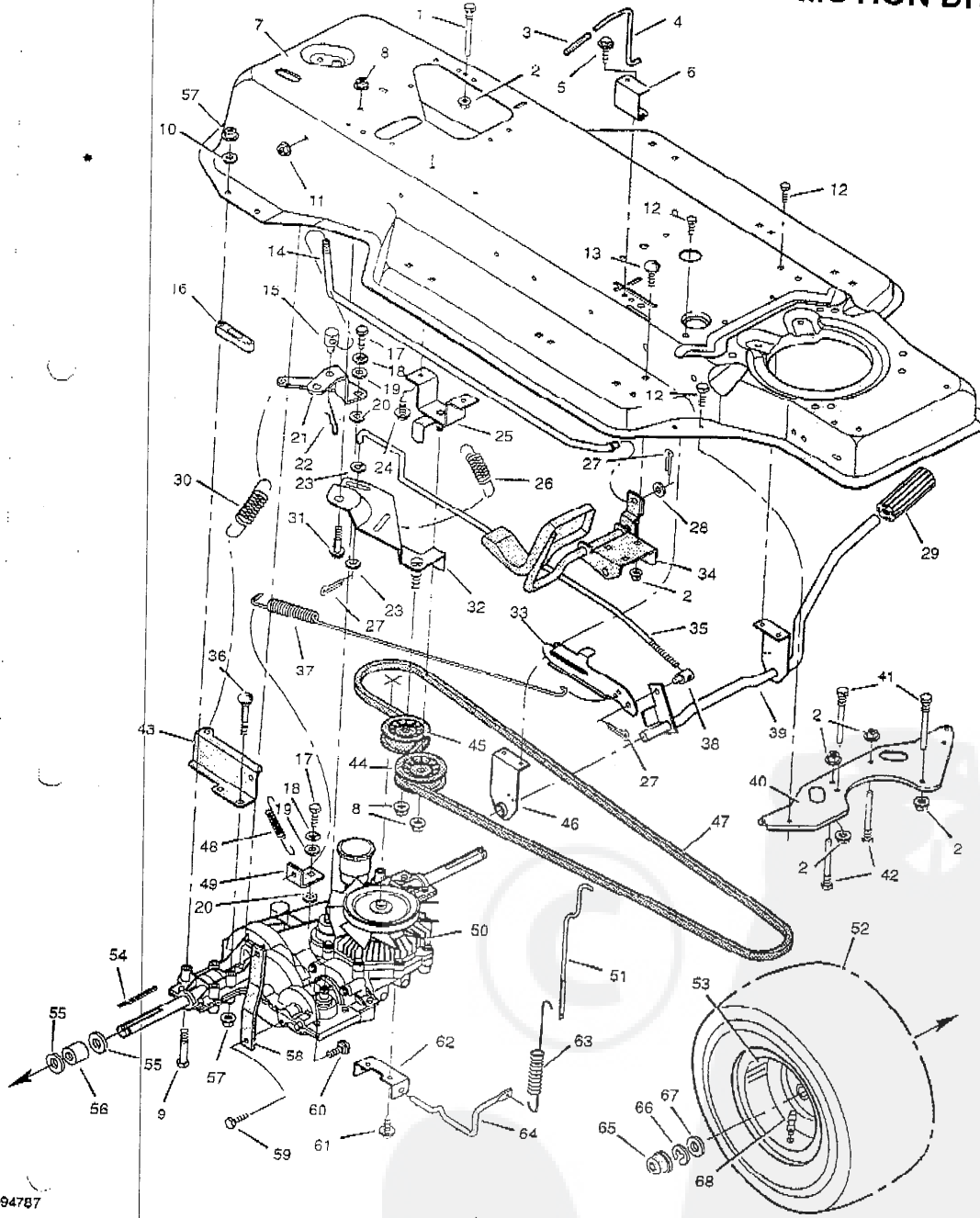


**MODEL 40903x20A****REPAIR PART  
CHASSIS & HOC**

| Key No. | Description                       | Part No.  | Key No. | Description                 | Part No.  |
|---------|-----------------------------------|-----------|---------|-----------------------------|-----------|
| 1       | Seat                              | 92040     | 27      | Support, Dash               | 93136E70  |
| 2       | Plate Assembly, Switch            | 91963Z    | 28      | Insert, Rear                | 92549F20  |
| 3       | Spring, Compression               | 164x26    | 29      | Frame Assembly              | 92515F20  |
| 4       | Spring, Seat                      | 91964     | 30      | Bracket, Left Grille        | 92347E70  |
| 5       | Glide, Spring                     | 91822     | 31      | Rod, Pivot                  | 93137Z    |
| 6       | Bolt, Shoulder                    | 9x38      | 32      | Bearing                     | 93155     |
| 7       | Support, Seat                     | 92334E701 | 33      | Pin, Hair                   | 31x4      |
| 8       | Lockwasher                        | 18x16     | 34      | Bracket, Right Grille       | 92346E70  |
| 9       | Bolt, Hex                         | 1x45      | 35      | Screw                       | 26x249    |
| 10      | Locknut, Flange                   | 15x88     | 36      | Mat                         | 91900     |
| 11      | Bracket, Pivot                    | 92546E701 | 37      | Tray, Battery               | 91895     |
| 12      | Rod, Pivot                        | 91730E701 | 38      | Cap, Console                | 92443E701 |
| 13      | Cap, Push On                      | 28x23     | 39      | Bolt                        | 2x64      |
| 14      | Insert, Front                     | 92548F200 | 40      | Washer                      | 17x26     |
| 15      | Fender, Apron                     | 91724E701 | 41      | Rod, Battery                | 56566Z    |
| 16      | Hood                              | 93215F200 | 44      | Brace, Grille               | 92541Z    |
| 17      | Grille Assembly (includes fender) | 92242     | 51      | Lens, Right                 | 92539     |
| 18      | Lens, Left                        | 92540     | —       | Book, Instruction (English) | F-94784   |
| 19      | Screw                             | 9x47      | —       | Book, Instruction (French)  | F-94784FR |
| 20      | Fender                            | 92328F200 | —       | Book, Repair Parts          | F-94787   |
| 21      | Console Assembly                  | 92547F200 | —       | Decal, Left Hood            | 44x4101   |
| 22      | Screw                             | 26x263    | —       | Decal, Right Hood           | 44x4100   |
| 23      | Dash Panel                        | 93134     | —       | Decal, Dash                 | 44x4329   |
| 24      | Bearing, Steering                 | 93135     | —       | Plaque, Name (Hood)         | 200x50    |
| 25      | Screw                             | 26x239    | —       | Plaque, Name (Grille)       | 280x57    |
| 26      | Screw                             | 26x270    |         |                             |           |

# MODEL 40903x20A

## REPAIR PARTS MOTION DRIVE



-94787

**MODEL 40903x20A****REPAIR PART  
MOTION DRIV**

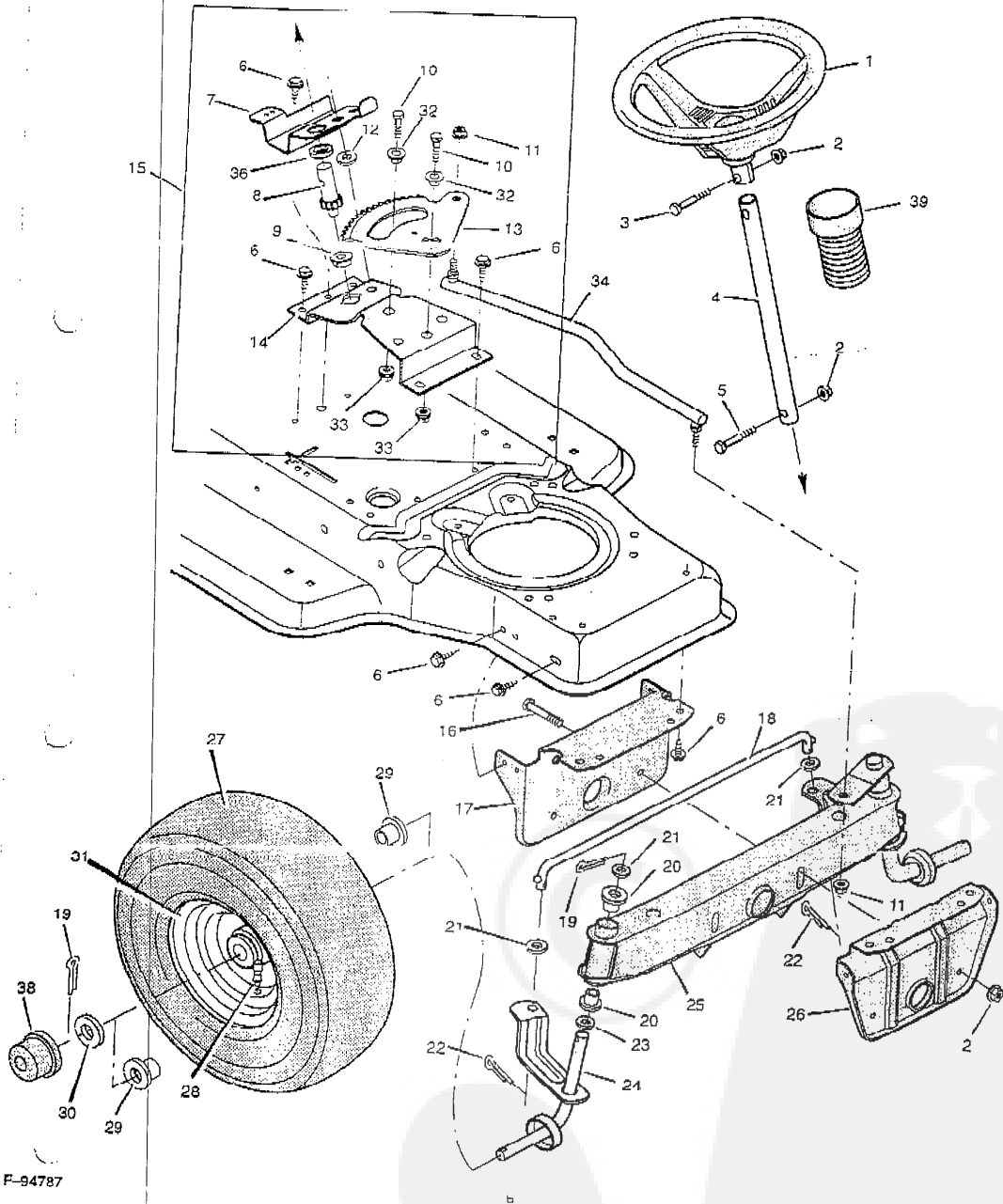
| Key No. | Description            | Part No.  | Key No. | Description                       | Part No.  |
|---------|------------------------|-----------|---------|-----------------------------------|-----------|
| 1       | Guide, Belt            | 92632     | 36      | Carriage Bolt                     | 2x58      |
| 2       | Nut, Flange            | 15x79     | 37      | Spring, Extension                 | 165x101   |
| 3       | Grip                   | 91079     | 38      | Nut, Adjusting                    | 21920     |
| 4       | Rod, Parking Brake     | 91727S    | 39      | Pedal Lever Assembly              | 91862E70  |
| 5       | Screw                  | 26x214    | 40      | Bracket, Belt Guide               | 92567E70  |
| 6       | Bracket, Guide         | 91825E701 | 41      | Screw, Guide                      | 91754Z    |
| 7       | Frame Assembly         | 92515F200 | 42      | Screw, Guide                      | 20619Z    |
| 8       | Nut, Flange            | 15x84     | 43      | Bracket, Spring Mount             | 92570Z    |
| 9       | Bolt                   | 1x118     | 44      | Idler Pulley                      | 9117R     |
| 10      | Washer                 | 17x146    | 45      | Idler Pulley                      | 91179     |
| 11      | Nut, Flange            | 15x79     | 46      | Support, Pedal                    | 91713E70  |
| 12      | Screw                  | 26x249    | 47      | V-Belt                            | 37x80     |
| 13      | Bolt, Carriage         | 2x53      | 48      | Spring, Extension                 | 165x92    |
| 14      | Rod, Control           | 92631Z    | 49      | Lever, Brake                      | 92569E70  |
| 15      | Nut, Adjusting         | 92132     | 50      | Transaxle                         | **        |
| 16      | Spacer                 | 92682     | 51      | Rod, Dump Valve                   | 92674Z    |
| 17      | Bolt                   | 1x82      | 52      | Wheel & Tire Assembly             | 92289-60* |
| 18      | Lockwasher             | 18x32     | 53      | Tire (Included with Key No. 52) * | 91914     |
| 19      | Washer                 | 17x38     | —       | Tube (Included with Key No. 52)   | 407049    |
| 20      | Washer                 | 17x148    | 54      | Square Key                        | 21553     |
| 21      | Lever, Control         | 92594Z    | 55      | Washer                            | 17x160    |
| 22      | Hair Pin               | 31x4      | 56      | Spacer, Wheel                     | 87x100Z   |
| 23      | Washer                 | 17x47     | 57      | Nut, Flange                       | 15x115    |
| 24      | Screw                  | 26x249    | 58      | Strap, Torque                     | 92568E701 |
| 25      | Idler Mount Assembly   | 92565E701 | 59      | Screw                             | 26x216    |
| 26      | Spring, Extension      | 165x98    | 60      | Carriage Bolt                     | 2x64      |
| 27      | Cotter Pin             | 30x20     | 61      | Screw                             | 26x275    |
| 28      | Washer                 | 17x57     | 62      | Bracket, Dump Valve               | 92603Z    |
| 29      | Pedal                  | 21544     | 63      | Spring, Extension                 | 165x104   |
| 30      | Spring, Extension      | 165x99    | 64      | Rod, Dump Valve                   | 93247Z    |
| 31      | Shoulder Bolt          | 9x39      | 65      | Hub Cap (Optional)                | 24582     |
| 32      | Idler Bracket Assembly | 92029Z    | 66      | E-Ring                            | 11x3      |
| 33      | Latch, Parking Brake   | 91712Z    | 67      | Washer                            | 17x115    |
| 34      | Pedal Assembly         | 92676E701 | 68      | Valve Stem                        | 24373     |
| 35      | Clutch Rod             | 91808Z    |         |                                   |           |

\* When you order a tire, make sure to give the brand name of the tire so that the tread pattern on the tire will match.

\*\* Parts are available from an Authorized Service Center. See the telephone directory.

# MODEL 40903x20A

## REPAIR PARTS STEERING



F-94787

**MODEL 40903x20A****REPAIR PAF  
STEERI**

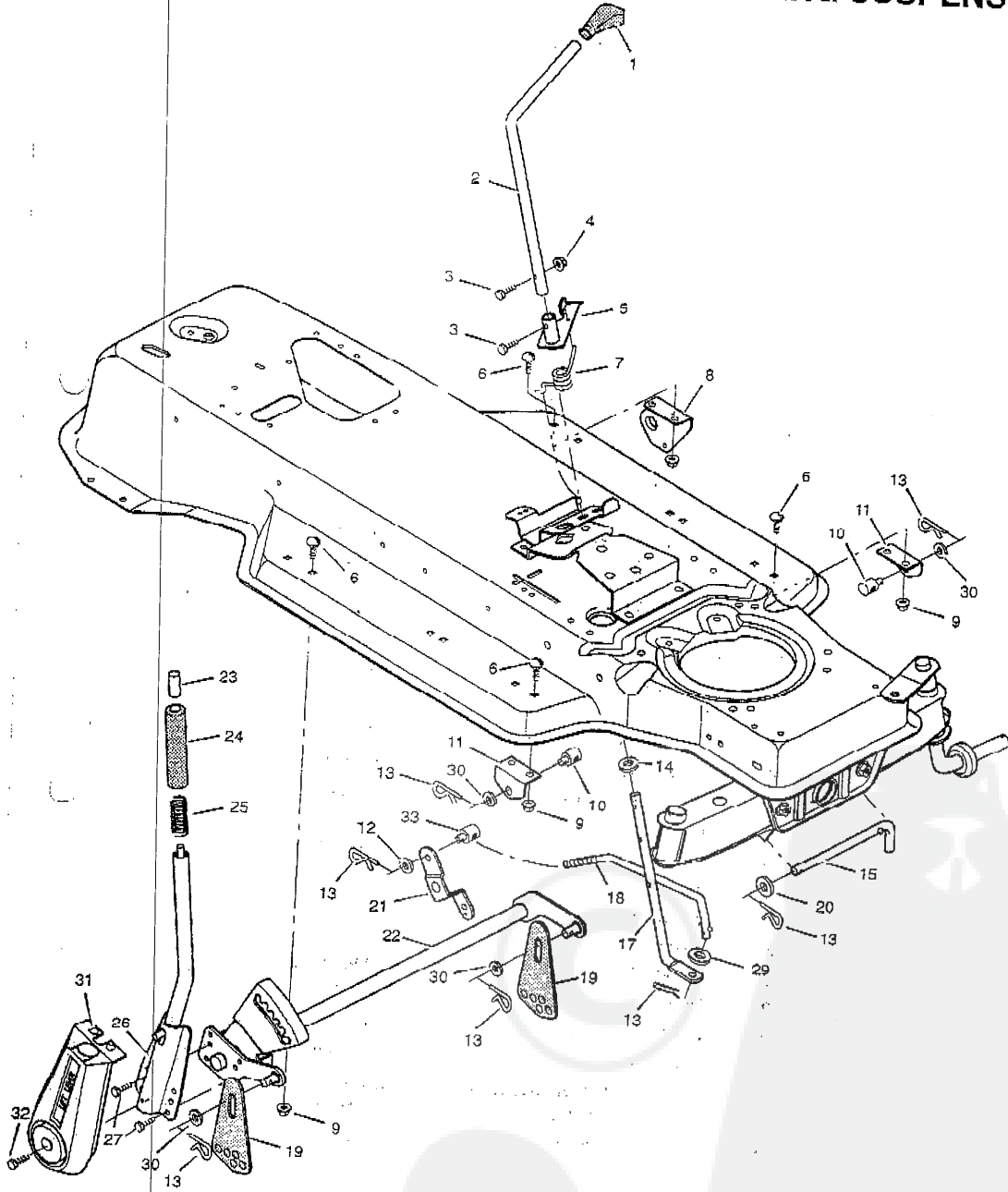
| Key No. | Description                   | Part No.  |
|---------|-------------------------------|-----------|
| 1       | Wheel, Steering               | 92078     |
| 2       | Nut, Hex                      | 15x118    |
| 3       | Bolt, Hex                     | 1x66      |
| 4       | Post, Steering                | 91860Z    |
| 5       | Bolt, Hex                     | 1x74      |
| 6       | Screw                         | 26x249    |
| 7       | Bracket, Sector               | 91716E701 |
| 8       | Gear, Pinion                  | 92007     |
| 9       | Bearing                       | 91756     |
| 10      | Bolt, Hex                     | 1x84      |
| 11      | Locknut, Flange               | 15x87     |
| 12      | Spacer                        | 92564     |
| 13      | Gear, Sector                  | 92316     |
| 14      | Bracket, Sector               | 91708E701 |
| 15      | Kit, Steering Gear            | 402075    |
| 16      | Bolt, Hex                     | 1x146     |
| 17      | Support, Rear Axle            | 92529E701 |
| 18      | Rod, Tie                      | 90038E701 |
| 19      | Pin, Cotter                   | 30x49     |
| 20      | Bearing                       | 92527     |
| 21      | Washer                        | 17x57     |
| 22      | Pin, Cotter                   | 30x20     |
| 23      | Washer                        | 17x113    |
| 24      | Spindle Assembly, Right       | 91828E701 |
| 25      | Spindle Assembly, Axle & Left | 92519E701 |
| 26      | Support, Front Axle           | 92528E701 |
| 27      | Tire*                         | 91912     |
| —       | Tube                          | 407047    |
| 28      | Stern, Valve                  | 24373     |
| 29      | Bearing, Wheel                | 91334     |
| 30      | Washer                        | 17x115    |
| 31      | Wheel & Tire Assembly         | 92638-601 |
| 32      | Bearing                       | 91334     |
| 33      | Locknut, Flange               | 15x113    |
| 34      | Link, Drag                    | 91749E701 |
| 36      | Spacer, Pinion Gear           | 92280     |
| 38      | Hub Cap (Optional)            | 24582     |
| 39      | Bellows (Optional)            | 91298     |

\*When you order a tire, make sure to give the brand name of the tire so that the tread pattern on the tire will match.

F-94787

# MODEL 40903x20A

## REPAIR PARTS MOWER HOUSING SUSPENSION



C-947a7

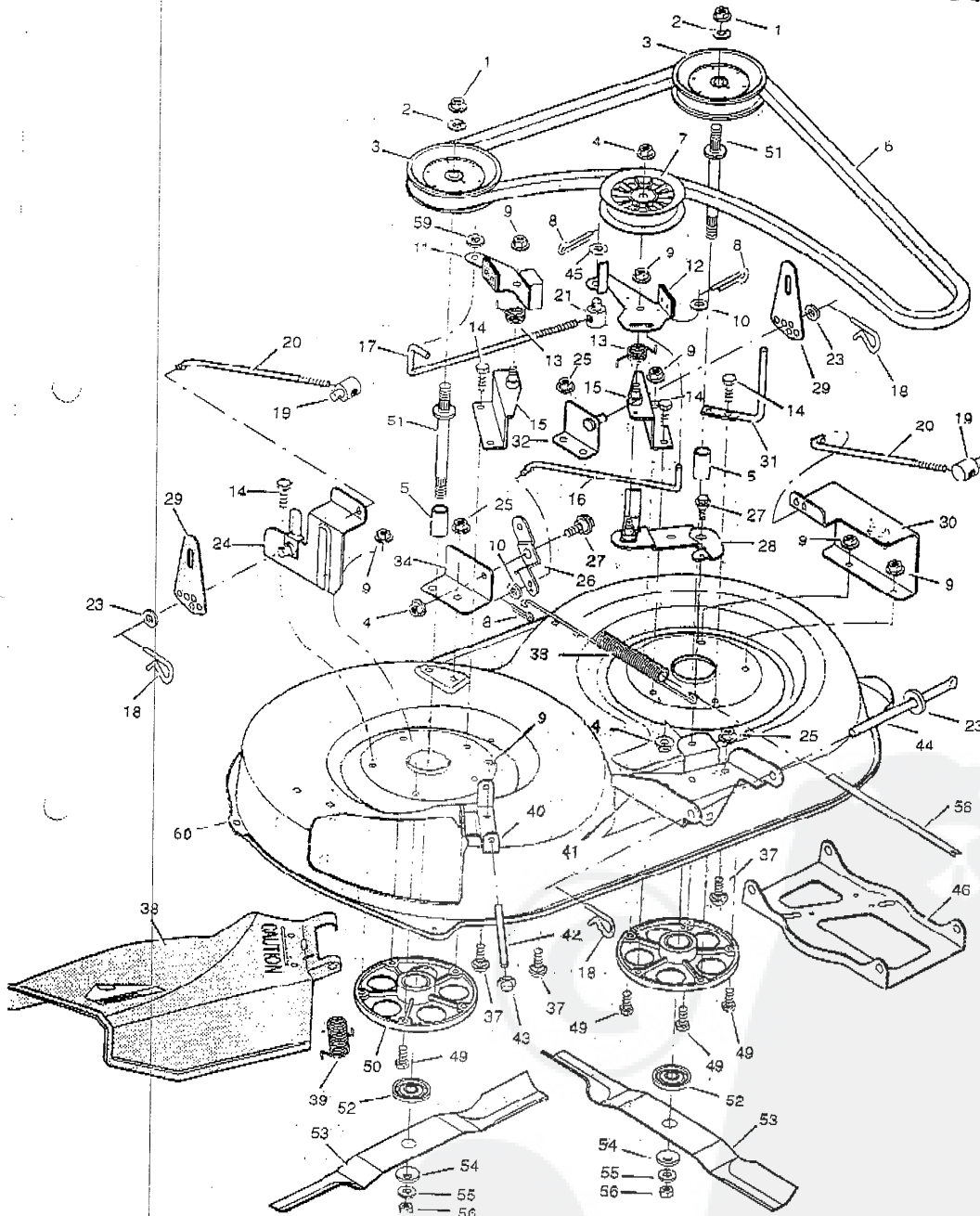
**MODEL 40903x20A****REPAIR PARTS  
MOWER HOUSING SUSPENSION**

| Key No. | Description                  | Part No.  |
|---------|------------------------------|-----------|
| 1       | Grip                         | 55449     |
| 2       | Control, Blade Rotation      | 91795Z    |
| 3       | Bolt, Hex                    | 25x3      |
| 4       | Locknut, Hex                 | 15x67     |
| 5       | Lever Assembly, Switch       | 91917E701 |
| 6       | Bolt, Carriage               | 2x53      |
| 7       | Spring, Torsion              | 166x32    |
| 8       | Bracket, Rear Hanger         | 92066E701 |
| 9       | Nut, Flange                  | 15x79     |
| 10      | Nut, Adjusting               | 92132     |
| 11      | Bracket, Adjuster Rod        | 92133E701 |
| 12      | Washer                       | 17x124    |
| 13      | Pin, Hair                    | 31x4      |
| 14      | Washer                       | 17x122    |
| 15      | Pin, Pull                    | 90827Z    |
| 17      | Lever, Lower Blade Control   | 91787E701 |
| 18      | Rod, Blade Control           | 91795Z    |
| 19      | Plate, Adjuster              | 92702E701 |
| 20      | Washer                       | 17x103    |
| 21      | Bracket, Pivot               | 92033E701 |
| 22      | Lift Assembly                | 92065E701 |
| 23      | Knob, Steel                  | 91261     |
| 24      | Grip                         | 91398     |
| 25      | Spring, Compression          | 164x21    |
| 26      | Handle Assembly              | 91823E701 |
| 27      | Screw                        | 26x49     |
| 29      | Washer                       | 17x47Z    |
| 30      | Washer                       | 17x91Z    |
| 31      | Cover, Lift Lever (Optional) | 92157     |
| 32      | Screw                        | 26x263    |
| 33      | Nut, Adjusting               | 21920     |



# MODEL 40903x20A

## REPAIR PARTS MOWER HOUSING

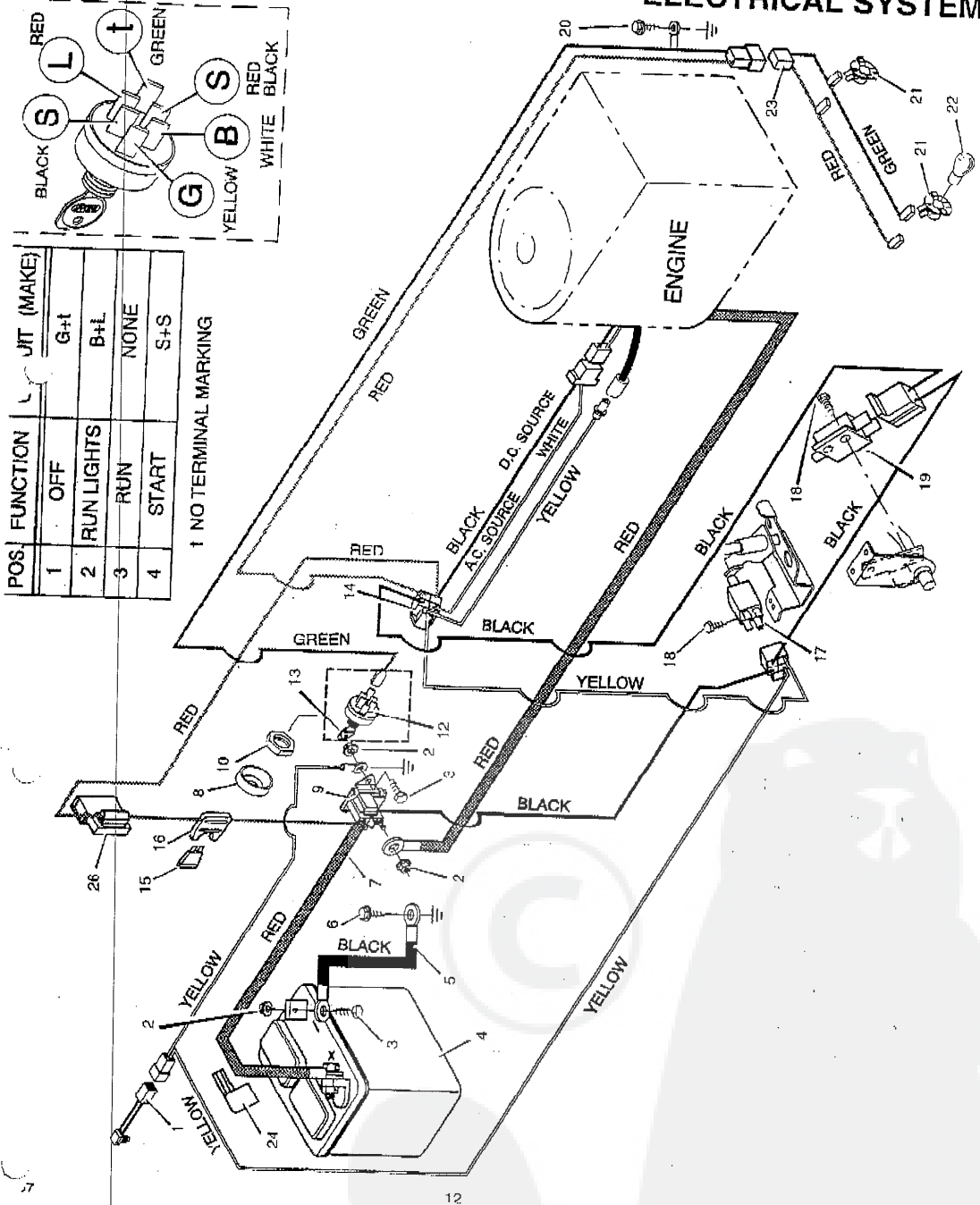


**MODEL 40903x20A****REPAIR PART  
MOWER HOUSING**

| Key No. | Description                    | Part No.  | Key No. | Description                     | Part No.  |
|---------|--------------------------------|-----------|---------|---------------------------------|-----------|
| 1       | Nut, Hex                       | 15x100    | 31      | Guide, Belt                     | 91797E70  |
| 2       | Lockwasher                     | 18x33     | 32      | Bracket Assembly, Left Lifter   | 91813E70  |
| 3       | Pulley, Jackshaft              | 91943     | 33      | Spring, Extension               | 165x72    |
| 4       | Locknut, Flange                | 15x84     | 34      | Bracket, Pivot                  | 91743E701 |
| 5       | Spacer                         | 91903     | 35      | Plate                           | 91770E701 |
| 6       | Belt, Blade Drive              | 37x62     | 36      | Washer                          | 17x57     |
| 7       | Pulley, Idler                  | 91801     | 37      | Bolt, Carriage                  | 2x53      |
| 8       | Pin, Cotter                    | 30x20     | 38      | Deflector Assembly, Chute       | 92465     |
| 9       | Locknut, Flange                | 15x88     | 39      | Spring, Torsion                 | 166x4     |
| 10      | Washer                         | 17x46Z    | 40      | Bracket, Hinge                  | 91765E701 |
| 11      | Brake Assembly, Right          | 92186E701 | 41      | Bracket, Front Hanger           | 91875E701 |
| 12      | Brake Assembly, Left           | 92187E701 | 42      | Rod, Deflector                  | 91767Z    |
| 13      | Spring, Torsion                | 166x27    | 43      | Cap, Push On                    | 28x23     |
| 14      | Bolt, Hex                      | 25x7      | 44      | Rod, Hanger                     | 91739Z    |
| 15      | Bracket Assembly, Brake        | 92072E701 | 45      | Washer                          | 17x124    |
| 16      | Rod, Brake                     | 91745Z    | 46      | Hanger, Front                   | 92119E701 |
| 17      | Rod, Cross Link                | 92183Z    | 49      | Bolt, Hex                       | 1x84      |
| 18      | Pin, Hair                      | 31x4      | 50      | Housing, Jackshaft              | 92573     |
| 19      | Nut, Adjustable                | 92131     | 51      | Jackshaft                       | 91922     |
| 20      | Rod, Adjuster                  | 91872Z    | 52      | Adapter, Blade                  | 92466     |
| 21      | Nut, Adjustable                | 21920     | 53      | Blade, 40" (2 required)         | 92002E701 |
| 23      | Washer                         | 17x103    | 54      | Washer, Belleville              | 17x166    |
| 24      | Bracket Assembly, Right Lifter | 92194E701 | 55      | Washer                          | 17x165    |
| 25      | Nut, Flange                    | 15x79     | 56      | Nut, Hex                        | 15x100    |
| 26      | Bracket, Pivot                 | 92033E701 | 58      | Indicator, Plastic              | 92163     |
| 27      | Bolt, Carriage                 | 9x39      | 59      | Washer                          | 17x48     |
| 28      | Arm Assembly, Idler            | 92032E701 | 60      | Housing, Blade                  | 91838E701 |
| 29      | Plate, Adjuster                | 92702E701 | 1-60    | Complete Mower Housing Assembly | 403220    |
| 30      | Cover, Pulley                  | 91792E701 |         |                                 |           |

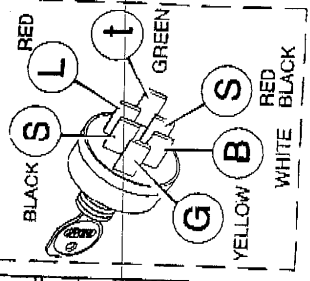
# MODEL 40903x20A

## REPAIR PARTS ELECTRICAL SYSTEM



| POS. | FUNCTION   | WIRE (MAKE) |
|------|------------|-------------|
| 1    | OFF        | G+I         |
| 2    | RUN LIGHTS | B+L         |
| 3    | RUN        | NONE        |
| 4    | START      | S+S         |

1 NO TERMINAL MARKING

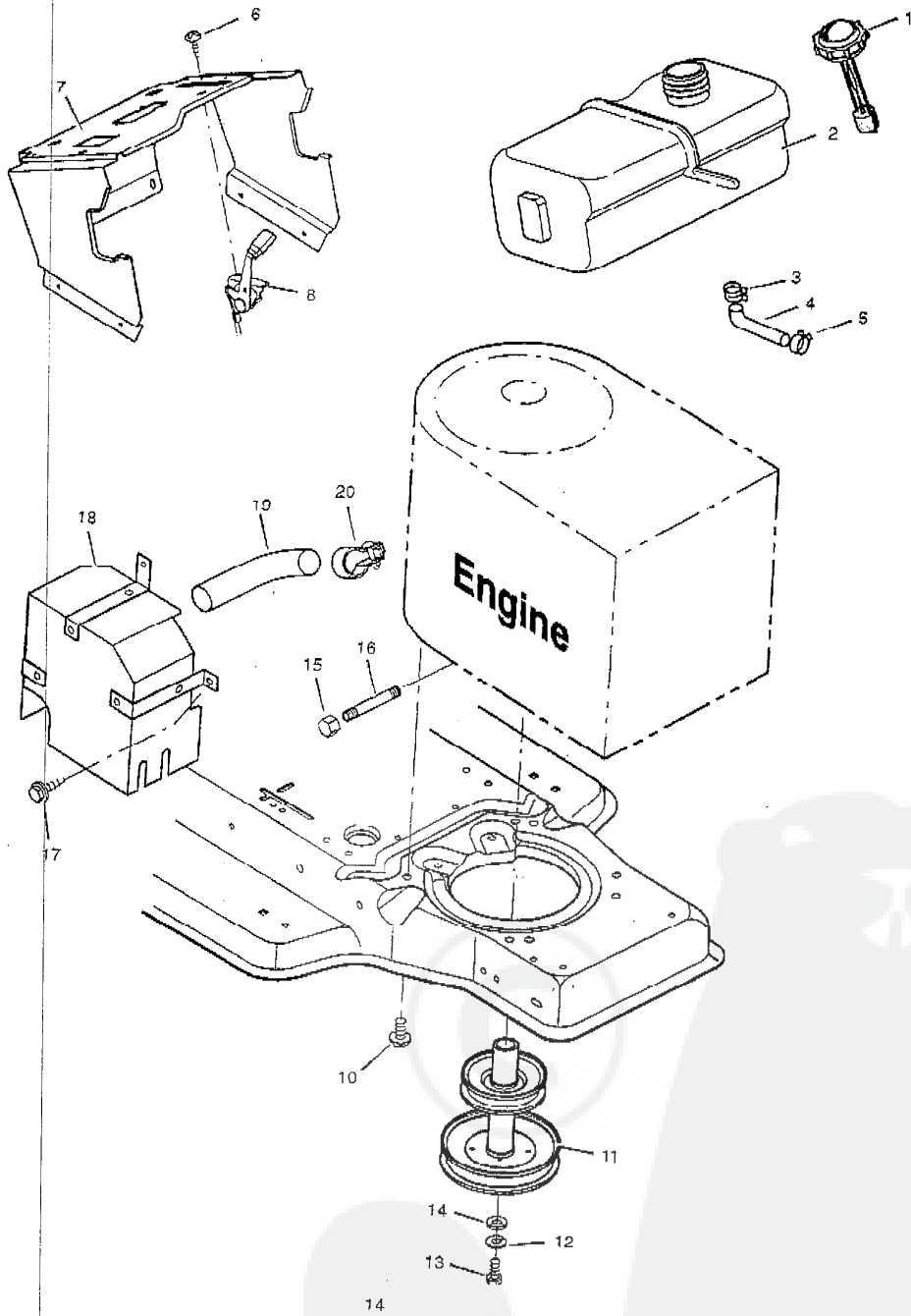


**MODEL 40903x20A****REPAIR PART  
ELECTRICAL SYSTEM**

| Key No. | Description           | Part No. |
|---------|-----------------------|----------|
| 1       | Switch, Seat Sensor   | 91031    |
| 2       | Locknut               | 15x66    |
| 3       | Bolt, Hex             | 1x38Z    |
| 4       | Battery               | 91414    |
| 5       | Cable, Battery Ground | 24x9     |
| 6       | Screw                 | 26x249   |
| 7       | Cable, Red Battery    | 24x12    |
| 8       | Cap, Ignition         | 91488    |
| 9       | Solenoid              | 24285    |
| 10      | Nut, Hex              | 91489    |
| 12      | Switch, Ignition      | 92556    |
| 13      | Key, Ignition         | 20729    |
| 14      | Harness, Chassis Wire | 250x51   |
| 15      | Fuse                  | 54212    |
| 16      | Holder, Fuse          | 407078   |
| 17      | Switch, PTO           | 91299    |
| 18      | Screw                 | 26x233   |
| 19      | Switch, Clutch        | 24273    |
| 20      | Screw                 | 25x2     |
| 21      | Socket, Light         | 92372    |
| 22      | Bulb, Light           | 90084    |
| 23      | Harness, Light Wire   | 250x40   |
| 24      | Cover, Terminal       | 54148    |
| 26      | Ammeter               | 93156    |

# MODEL 40903x20A

## REPAIR PARTS ENGINE MOUNT



**MODEL 40903x20A****REPAIR PARTS  
ENGINE MOUNT**

| Key No. | Description           | Part No.                  |
|---------|-----------------------|---------------------------|
| 1       | Fuel Cap              | 91348                     |
| 2       | Fuel Tank             | 92597                     |
| 3       | Hose Clamp            | 91174                     |
| 4       | Fuel Line             | 90671                     |
| 5       | Hose Clamp            | 23713                     |
| 6       | Screw                 | 26x201                    |
| 7       | Support, Dash         | 93136E/01                 |
| 8       | Throttle Control      | 92371                     |
| 9       | Engine*               | —                         |
| 10      | Bolt, Engine Mount    | 25x7                      |
| 11      | Stack Pulley Assembly | <del>93245Z</del> C13244Z |
| 12      | Lockwasher            | 19x35                     |
| 13      | Bolt, Hex             | 1x140                     |
| 14      | Washer                | 17x170                    |
| 15      | Cap, Oil Drain        | 21651                     |
| 16      | Pipe, Oil Drain       | 24066                     |
| 17      | Screw                 | 26x263                    |
| 18      | Shield, Heat          | 92550F701                 |
| 19      | Pipe, Exhaust         | 92559E701                 |
| 20      | Clamp                 | 92558                     |

\*The engine model, type and code numbers are on the engine. All parts to the engine are available from a Briggs & Stratton Authorized Service Center. See "Engines, Gasoline" or "Gasoline Engines" in the yellow pages of the telephone directory.

## REPAIR PART ORDERING INFORMATION

Use only manufacturer's authorized or approved replacement parts. The letter placed on the end of the part number denotes the type of finish for the part, C for chrome, Z for zinc, a PA for purchased assembly. It is important that you include this when ordering a part. Do not use attachments or accessories not specifically recommended for this unit. In order to obtain proper replacement parts you must supply the model number of your mower (see nameplate).

Replacement parts, except for the engine, transmission, transaxle or differential, are available from the store where the mower was purchased or a service shop recommended by the store.

If you are unable to obtain parts or service in the manner outlined above, then contact: Murray Export Sales B.V., Baarerstrasse 75, 6300 Zug, Switzerland. Collect telephone calls will not be accepted.

Replacement parts for the engine, transaxle, or transmission, are available from the manufacturer's authorized service center found in the yellow pages of the telephone directory. Also, see the individual engine or transmission warranties to order replacement parts.

When ordering the following information is required:

- (1) The Model Number
- (2) Date of Manufacture
- (3) Part Number
- (4) Description
- (5) Quantity

