

REPAIR PARTS MANUAL
18 H.P. LIGHT GROUND ENGAGING TRACTOR
with 42" Mower Deck
MODELS 4218-22, 4218-24,
4218-25, & 4218-26

WARRANTY

ONE YEAR LIMITED WARRANTY

For one (1) year from date of purchase by the first consumer for residential use (thirty (30) days commercial use), Western International Incorporated warrants that it will replace free of charge, including labor, any original part of any Western International Incorporated product found to be defective by any authorized Service Dealer or the factory, except the battery which is warranted for ninety (90) days from date of purchase.

This warranty does not cover engine, transmission, transaxle or differential (these items are covered by their manufacturer's own warranty). This warranty does not cover parts that have failed due to normal wear or parts that have failed subject to misuse or abuse. Transportation of the unit or parts and from an authorized Service Dealer or the factory is the responsibility of the owner.

A step by step explanation as to what procedure should be followed for this Warranty is:

1. If a part becomes defective, contact the store where the unit was purchased for the name and address of the authorized Service Dealer nearest to you.
2. If you cannot locate an authorized Service Dealer, write Service Department of Western International Incorporated for the name and address of the authorized Service Dealer in your area or call the Service Department at 1-800-247-7464 (outside Iowa), 1-515-265-3461 (Iowa).
3. Return the defective product, along with proof of purchase to such authorized Service Dealer for replacement of any defective part where covered by this warranty.

There is no other express warranty. Implied warranties, including those of merchantability and fitness for a particular purpose are limited to one (1) year from date of purchase. Liability for incidental or consequential damages are excluded.

Some states do not allow limitations on how long an implied warranty lasts, so the above limitation may not apply to you. Some states do not allow the exclusion of incidental or consequential damages, so the above exclusion may not apply to you. This warranty gives you specific legal rights, and you may have other rights which vary from state to state.

Western International Incorporated

P.O. Box 377

Des Moines, Iowa 50302

UNIT PARTS AND SERVICE

This manual contains repair parts information and instructions for safety. Read the operator's manual carefully and completely so that you will know proper assembly, use and care of your unit. Fill in and mail the registration card packed with the unit. For service other than covered in operator's manual, contact an authorized service dealer. A nationwide parts and service organization has been established to provide locally available parts and service. A list of authorized parts distributors has been included in this manual. When ordering repair parts, always give the following information: 1. The Part Name; 2. The Part Number; 3. The Quantity desired; 4. The Full (eight digit) Model Number of the unit. The model number will be found on a plate attached to the unit.



Look for this symbol. It means - ATTENTION! BECOME ALERT! A HAZARD TO OPERATOR, BYSTANDERS, PROPERTY OR EQUIPMENT MAY EXIST.

WESTERN INTERNATIONAL INCORPORATED

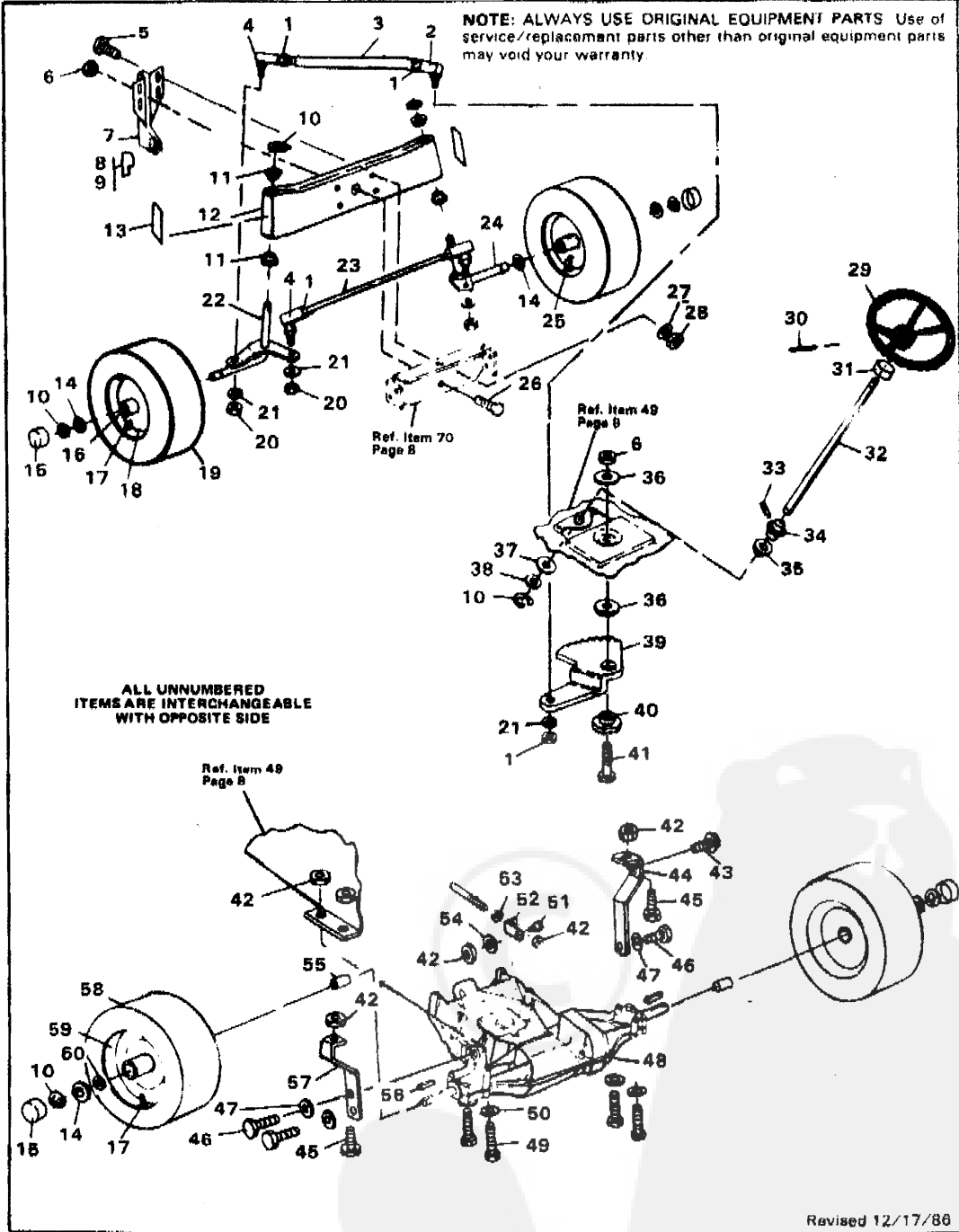
P.O. BOX 377

DES MOINES, IOWA 50302

REPAIR PARTS

MODELS 4218-22, 4218-24, 4218-25 & 4218-26

NOTE: ALWAYS USE ORIGINAL EQUIPMENT PARTS Use of service/replacement parts other than original equipment parts may void your warranty.



Revised 12/17/86

MODELS 4218-22, 4218-24, 4218-25 & 4218-26

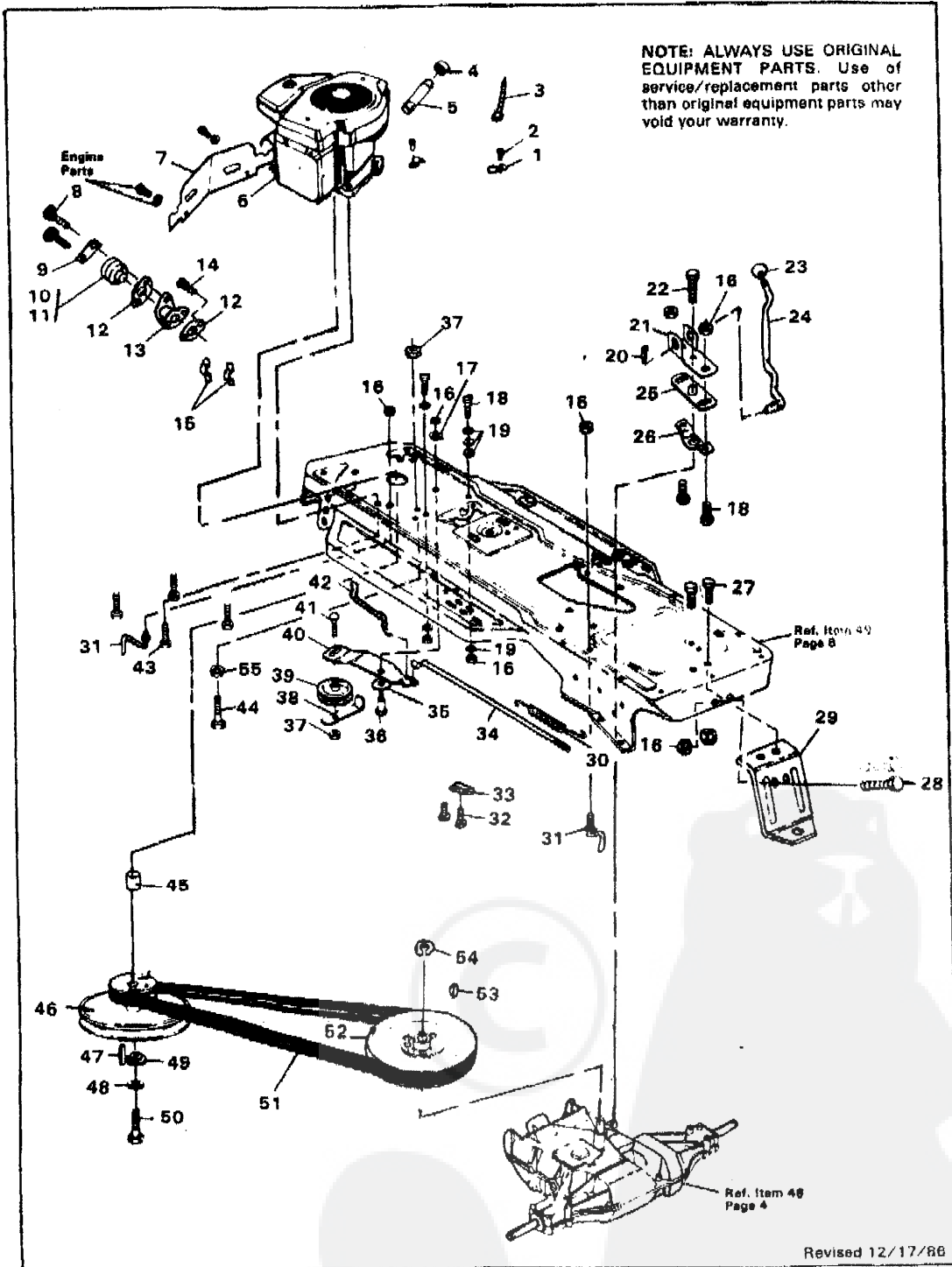
ALWAYS GIVE THE FOLLOWING INFORMATION WHEN ORDERING REPAIR PARTS:
 1. The PART NUMBER; 2. The PART NAME; 3. QUANTITY DESIRED; 4. The MODEL NUMBER (As shown on Model Plate)
 SEND PART ORDERS AS PER INSTRUCTIONS ON THE FRONT PAGE
 YOUR UNIT IS RIGHT HAND (RH) OR LEFT HAND (LH) AS YOU STAND BEHIND IT.
 DO NOT USE KEY NUMBERS WHEN ORDERING REPAIR PARTS. ALWAYS USE PART NUMBERS.
 All replacement parts will be supplied in current production colors or in a neutral color.
 A handling fee is applicable to small parts orders.

Key No.	Part No.	Description	Key No.	Part No.	Description
1	124925	Nut, Hex Jam, 3/8-24 Thd.	30	456938	Roll Pin, 1/4 x 2 1/4 In.
2	57158	Ball Joint Assembly	31	57212	Cover, Steering Shaft
3	57194	Drag Link	32	57158	Shaft, Steering Wheel
4	21276	Ball Joint Assembly	33	454565	Roll Pin, 1/4 x 1 1/4 In.
5	122207	*Screw, Hex Hd, G-16 x 3 In.	34	52428	Pinion
6	9414074	Locknut, 1/2-13 Thd.	35	52405	Bushing
7	55727	Bracket, Deck Hanger	36	22256	Washer
8	68026	Decal, Deck Hanger, R.H.	37	51579	Flatwasher
9	68027	Decal, Deck Hanger, L.H.	38	21662	Flatwasher, 3/4 In.
10	36625	"E" Ring	39	52382	Sector Gear
11	52407	Bearing, Front Spindle	40	52408	Eccentric, Steering Adjust
12	55730	Front Axle Assembly	41	180177	*Screw, Hex Hd, 1/2-13 x 1 1/2 In.
13	53373	Cover, Axle End	42	9413447	Locknut, Hex, 5/16-18 Thd.
14	642	Flatwasher	43	50947	Screw, Hex Wa. Tap, 3/8-16 x 1 1/4 In.
15	40394	Hub Cap	44	57563	Bracket, Stabilizer
16	49613	Bearing	45	122017	*Screw, Hex Hd, 5/16-18 x 1 In.
16	39979	Bearing (4218-25 Only)	48	35498	Screw, Hex, Wa. Head, 5/16-18 x 1/4 In.
17	24187	Valve Stem	47	120638	Lockwasher, Split, 5/16 In.
18	49401	Wheel with Bearing	48	Transaxle	†Peerless, 5 Speed, Model 801
18	39829	Wheel w/Bearing (4218-25 Only)	49	180112	*Screw, hex Hd, 5/16-18 x 2 1/4 In.
19	49399	Tire, Front	50	120388	Flatwasher, 3/16 In.
19	41108	Tire, Front (4218-25 Only)	51	20507	Shoulder Bolt
20	120369	*Nut, Hex 3/8-24 Thd.	52	57217	Bracket, Brake
21	120382	*Lockwasher, Split, 3/8 In.	53	271184	*Nut, Keps, 5/16-18 Thd.
22	55543	Front Spindle Assembly, L.H.	54	45602	Washer
23	48764	Tie Rod	55	57744	Spacer
24	55544	Front Spindle Assy., R.H.	56	39628	Key
25	273326	Grease Zerk (4218-22, 4218-24 & 4218-25)	57	52648	Bracket, Stabilizer
26	52403	Bolt, Front Axle Pivot	58	55893	Tire, Rear
27	2483	Spring Washer	59	56356	Wheel Assembly, Rear
28	9413534	Locknut, 3/8-18 Thd.	60	42815	Flatwasher
29	55633	Steering Wheel	61	63025	Operator's Manual (Not Illustrated)
			62	63026	Parts Manual (Not Illustrated)

*Standard Hardware Items - May Be Purchased Locally.

†Contact Tecumseh/Peerless authorized service dealer for parts and warranty.

MODELS 4218-22, 4218-24, 4218-25 & 4218-26



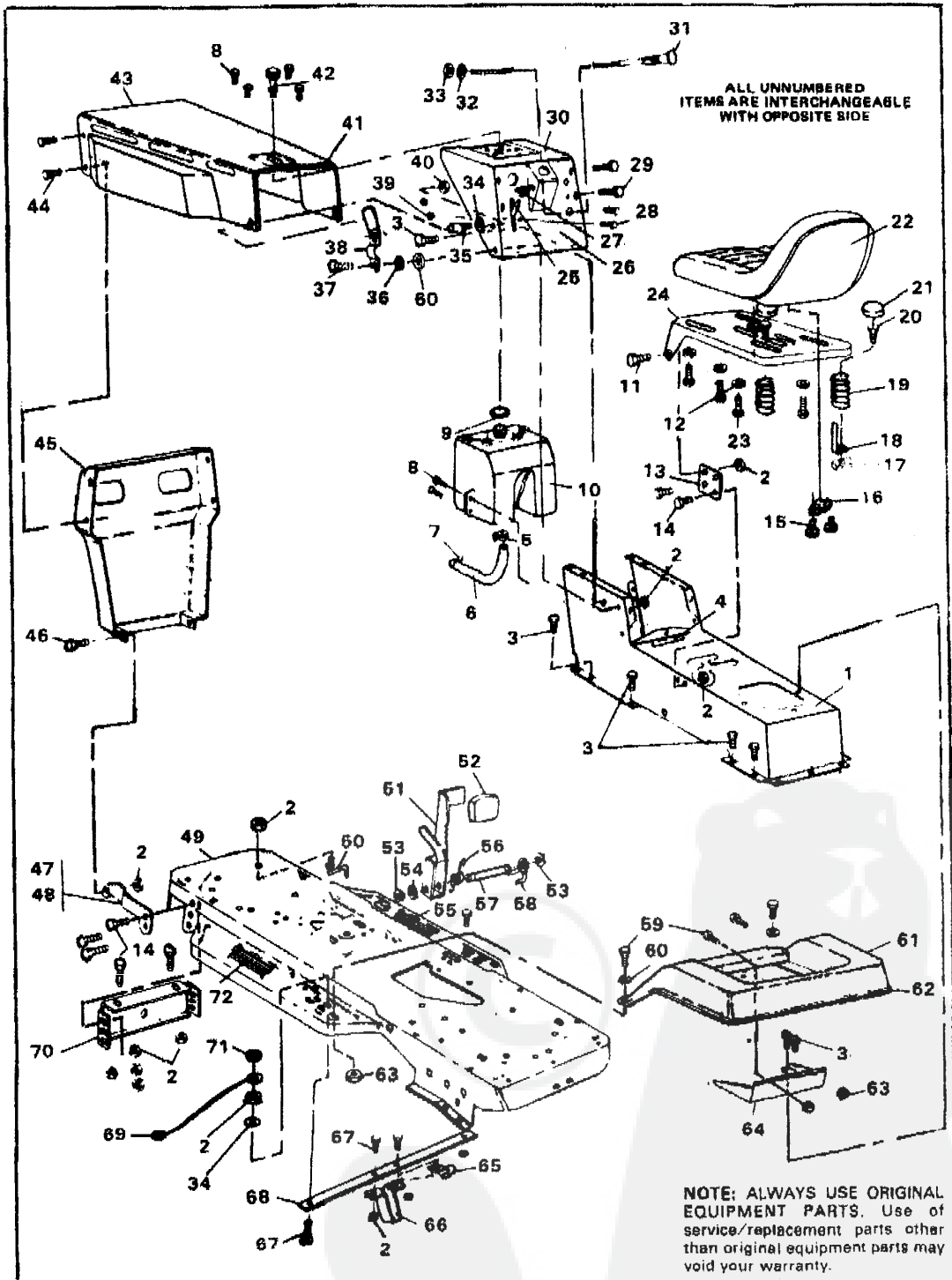
MODELS 4218-22, 4218-24, 4218-25 & 4218-26

Key No.	Part No.	Description	Key No.	Part No.	Description
1	56538	Wire Retainer	30	56359	Spring, Clutch
2	35258	Screw, Taptite, No. 10-24 x 3/8 In.	31	52401	Belt Guide
3	57444	Tie, Wire	32	57220	Screw, Hex Hd. Tap
4	47828	Cap, Oil Drain Tube	33	57211	Switch
5	52404	Tube, Oil Drain	34	57203	Brake Rod
6	Engine	§See Footnote Below	35	4107	Washer
7	52796	Bulkhead, Hood*	36	41890	Shoulder Bolt
8	173063	Screw, Hex Hd, 5/16-18 x 3 1/2 In.	37	9413634	Locknut, Hex, 3/8-16 Thd.
9		Engine Part	38	39659	Belt Retainer
10	56539	Muffler, L.H.	39	36374	Pulley, Idler
11	56540	Muffler, R.H.	40	57202	Idler Arm
12		Gasket, Muffler (Engine Part)	41	45892	Carriage Bolt, 3/8-16 x 1 1/2 In.
13	56615	Bracket, Muffler Assy.	42	57204	Rod Clutch
14	186923	Screw, Hex Soc., 1/4-20 x 3/8 In.	43	50947	Screw, Taptite, 5/16-18 x 1 1/4 In.
15	41482	Press Clip	44	49930	Screw, Hex Hd, 3/8-16 x 7/2 In.
16	9413447	Locknut, Hex, 5/16-18 Thd.	45	56430	Spacer, Engine Pulley
17	45602	Washer, 5/16 In.	46	57560	Pulley, Engine
18	120229	*Screw, Hex Hd, 5/16-18 x 3/8 In.	46	57788	Pulley, Engine (4218-25 Only)
19	120393	*Flatwasher, 5/16 In.	47	57555	Key, Square
20	137185	Cotter Pin	47	57781	Key, Square (4218-25 Only)
21	55517	Bracket, Shift	48	120383	Lockwasher, Split, 7/16 In.
22	56256	Screw, Nylock, 1/4-28 x 3/4 In.	49	56431	Washer, Pilot
23	55514	Knob, Shift Lever	50	215667	Screw, Hex Hd., 7/16-20 x 5/8 In.
24	57660	Shift Lever	50	180796	Screw, Hex Hd., 7/16-20 x 3/4 In.
25	55516	Bracket, Shift Adjusting	51	57556	V-Belt
26	54885	Bracket, Shift, Lower	52	54892	Pulley, Input
27	48146	Screw, Taptite, 3/8-16 x 1 In.	53	3021	Key, Woodruff, No. 605
28	120228	Screw, Hex Hd, 5/16-18 x 3/8 In.	54	22053	Retaining Ring
29	52647	Hitch	55	271190	*Nut, Keps, 3/8-16 Thd.

*Standard Hardware Items - May Be Purchased Locally.

§Contact Engine Manufacturer's authorized service dealer (See Engine Manual) for parts and warranty.

MODELS 4218-22, 4218-24, 4218-25 & 4218-26

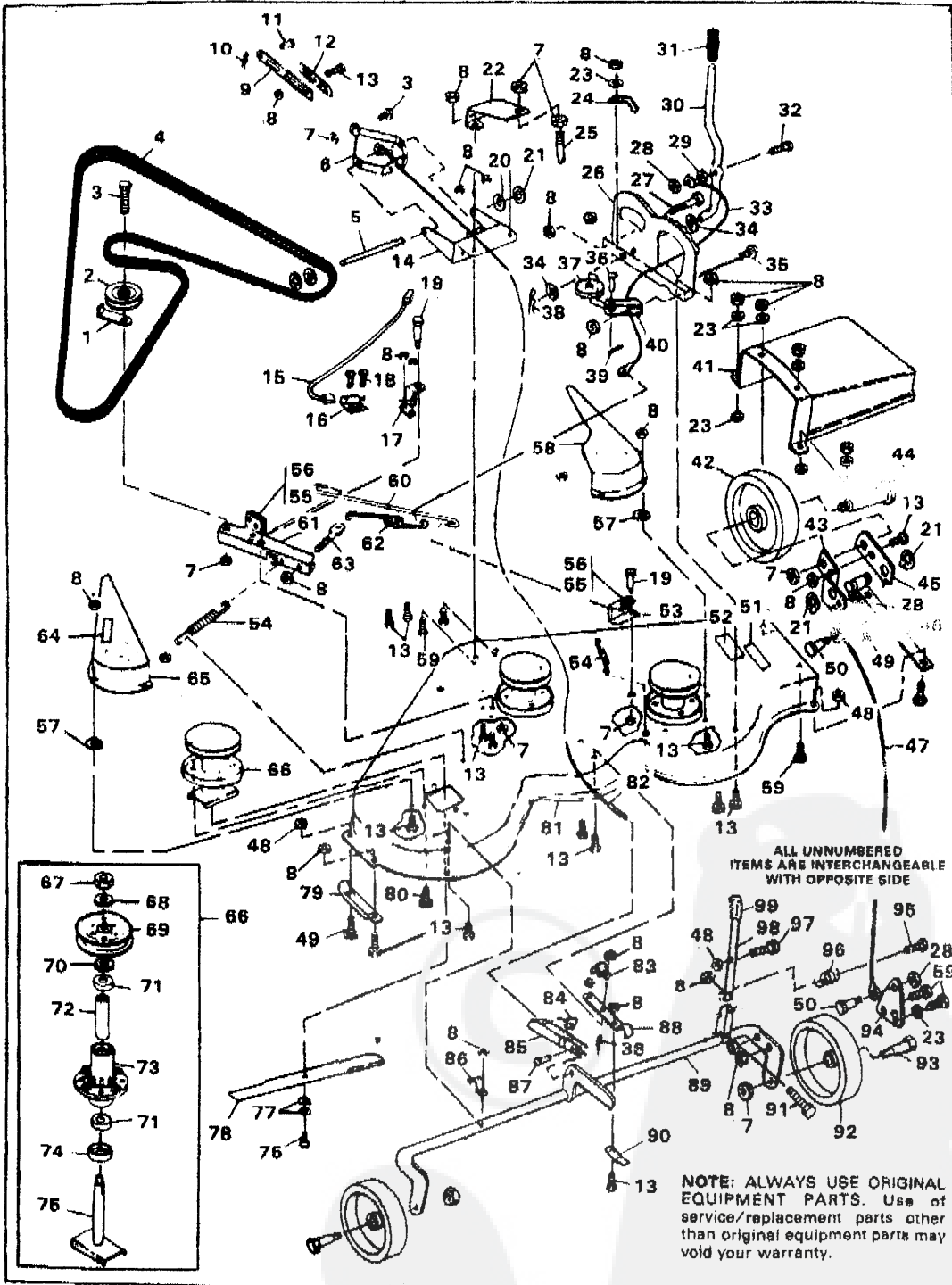


MODELS 4218-22, 4218-24, 4218-25 & 4218-26

Key No.	Part No.	Description	Key No.	Part No.	Description
1	57461	Console	37	8482	Shoulder Bolt
2	9413447	Locknut, Hex, 5/16-18 Thd.	38	87159	Latch, Hood
3	995346	*Screw, Taptite, 1/4-20 x 1/2 In.	39	271166	*Nut, Keps, No. 10-24 Thd.
4	70117	Decal, Caution	40	55273	Locknut, Wide Fl., 5/16-18 Thd.
5	47345	Clamp, Fuel Line	41	56304	Edging, Hood
6	51211	Tubing, Fuel Line	42	56183	Gas Gauge
7	41008	Clamp, Fuel Line	43	52861	Hood Assembly
8	49050	Screw, Plastite, 1/4-10 x 3/4 In.	44	57215	Screw, Hex Tap, 5/16-9 x 3/4 In.
9	54885	Pad, Fuel Tank	45	52651	Grill
10	52536	Tank, Fuel	46	38149	Shoulder Bolt
11	20807	Shoulder Bolt	47	57797	Bracket, Grille, L.H.
12	120638	*Lockwasher, Split, 5/16 In.	48	57798	Bracket, Grille, R.H.
13	53746	Support	49	57572	Main Frame
14	120228	*Screw, Hex Hd, 5/16-18 x 3/4 In.	50	57561	Belt Guide
15	160505	Screw, Pan Hd., 1/4-10 x 3/4 In.	51	52575	Brake Pedal Assembly
16	57547	Switch, Seat	52	48160	Rubber Pad, Pedal
17	53744	Clip, Seat Spring	53	20864	Retaining Ring
18	53745	Stop, Seat	54	54806	Spacer
19	49335	Spring, Seat	55	57496	Foot Pad, R.H.
20	44811	Screw, Taptite, 1/4-20 x 3/4 In.	56	57213	Spring
21	53205	Cover, Seat Spring	57	57196	Rod, Brake-Clutch
22	57465	Seat	58	54807	Spring, Return
23	120834	*Screw, Hex Hd, 5/16-18 x 1/2 In.	59	48900	Screw, Hex Wa. Hd, 1/4-20 x 1 In.
24	57417	Mounting Bracket, Seat	60	120386	*Flatwasher, 5/16 in. I.D.
25	52085	Throttle Control	61	57554	Fender Assembly
26	70313	Decal, Dash	62	55023	Trim, Fender
27	39486	Knob, Throttle Control	63	9424215	Locknut, Hex, 1/4-20 Thd.
28	35291	Screw, Hex Hd, No. 10-24 x 1/2 In.	64	57562	Bracket, Fender
29	995338	*Screw, Hex Hd, 1/4-20 x 3/4 In.	65	57569	Retainer, Wire
30	56045	Dash Assembly	66	49777	Guide, Rear, Mower Deck
31	52086	Cable, Choke	67	122017	*Screw, Hex Hd, 5/16-18 x 1 In.
32	138489	Washer, Shakeproof, 3/8 In.	68	43964	Guide Support, Rear
33	124925	*Jam Nut, 3/8-24 Thd.	69	55511	Ground Wire
34	138538	Washer, Internal Tooth, 5/16 In.	70	56361	Bracket, Axle Support, Front
35	53446	Pin, Hood Latch	71	271184	*Nut, Keps, 5/16-18 Thd.
36	120394	*Flatwasher, 3/8 In.	72	57496	Foot Pad, L.H.

*Standard Hardware items - May Be Purchased Locally.

MODELS 4218-22, 4218-24, 4218-25 & 4218-26

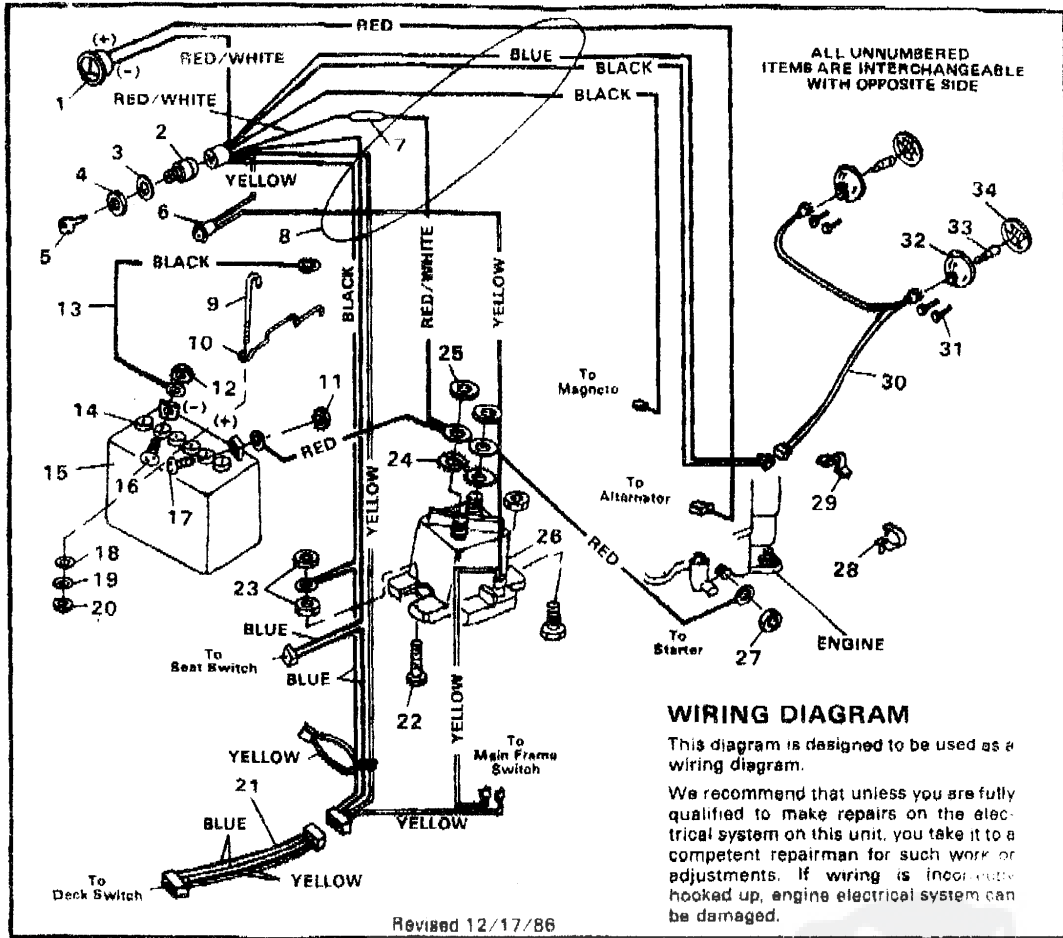


MODELS 4218-22, 4218-24, 4218-25 & 4218-26

Key No.	Part No.	Description	Key No.	Part No.	Description
1	49318	Belt Retainer	51	70159	Decal, Height Adjust
2	57736	Pulley, Idler	52	68547	Decal, Caution
3	120818	*Screw, Hex Hd, 5/16 x 1 1/2 In.	53	49316	Brake Lever Assy.
4	49390	V-Belt	54	35410	Spring
5	55724	Pin, Pivot	55	41801	Rivet
6	50613	Bracket, Pivot	56	41471	Pad, Brake
7	9413534	Locknut, 3/8-16 Thd.	57	120393	*Flatwasher, 5/16 In.
8	9413447	Locknut, 5/16-18 Thd.	58	52912	Belt Guard, R.H.
9	49059	Bar Hitch, Straight	59	122007	*Screw, Hex Hd, 5/16-18 x 3/4 In.
10	56180	Hair Pin Cotter	60	50683	Brake Rod
11	47816	Pin, Clevis, Short	61	52112	Clutch-Brake Arm Assembly
12	49058	Bracket, Lock	62	49331	Spring, Clutch
13	120228	*Screw, Hex Hd, 5/16-18 x 5/8 In.	63	51183	Eyebolt, 5/16-18 Thd.
14	48676	Lift Support Plate	64	68249	Decal, No Step
15	57564	Wire Assembly	65	52911	Belt Guard, L.H.
16	57476	Switch	66	56283	Quill Assembly
17	57514	Bracket, Idler Arm	67	51445	Locknut, Flange, 7/16-20 Thd.
18	57220	Screw, Tapite	68	56365	Flatwasher
19	47516	Shoulder Bolt	69	56391	Pulley, Quill
20	996425	Flatwasher, 1/2 In.	70	56280	Spacer
21	20864	Retaining Ring	71	49562	Bearing
22	57571	Bracket, Upstop	72	50818	Spacer Tube
23	120386	*Flatwasher, 5/16 In.	73	55547	Quill Casting
24	57321	Spring	74	50616	Dust Shield
25	57558	Rod, Upstop	75	56623	Saddle & Shaft Assembly
26	57670	Quadrant	76	39573	Screw, Hex Hd, 3/8-24 x 1 1/2 In.
27	122040	*Screw, Hex Hd, 5/16-18 x 1 1/2 In.	77	2483	Formed Washer
28	9424215	Locknut, 1/4-20 Thd.	78	66370	Blade, 14 1/2 In.
29	271172	*Keps Nut, 1/4-20 Thd.	79	49321	Skid, L.H.
30	57448	Clutch Lever	80	50634	Screw, Hex Wa.Hd, Tap, 5/16-18 x 3/8 In.
31	46478	Hand Grip	81	53896	Mower Deck
32	180024	*Screw, Hex Hd, 1/4-20 x 1 1/2 In. L	82	55880	Lift Cable
33	49326	Clutch Cable	83	57569	Retainer, Wire
34	120396	Flatwasher	84	120372	Nut, Square, 1/4-20 Thd.
35	122052	*Screw, Hex Hd, 5/16-18 x 1 3/4 In.	85	39404	Clevis, Lift Cable
36	49332	Pin, 3/8 x 1 In.	86	42424	Support, Pivot Tube
37	39298	Pulley, Nylon	87	39522	Pin, Clevis
38	8260	Hairpin Cotter	88	49322	Braze, Pivot Tube
39	121222	*Cotter Pin, 3/32 x 3/4 In.	89	57573	Pivot Tube Assembly
40	49320	Support, Cable Pulley	90	50092	Angle Bracket
41	49574	Chute, Discharge	91	122040	*Screw, Hex Hd, 5/16-18 x 1 1/2 In.
42	56386	Wheel, Deck	92	52584	Wheel
43	56627	Bracket, Arm Crank	93	23763	Axle, Deck Wheel
44	56380	Wheel Axle	94	56377	Bracket, Adjust
45	56628	Bracket, Arm	95	995346	Screw, Tapite, 1/4-20 x 1/2 In.
46	56626	Skid, R.H.	96	57319	Spring
47	56381	Cable	97	57324	Screw, Latch
48	271184	*Keps Nut, 5/16-18 Thd.	98	57329	Lever, Height Adjust
49	120230	*Carriage Bolt, 5/16-18 x 1 1/4 In.	99	56924	Grip, Height Adjust Lever
50	56611	Shoulder Bolt			

*Standard Hardware Items - May Be Purchased Locally.

MODELS 4218-22, 4218-24, 4218-25 & 4218-26



WIRING DIAGRAM

This diagram is designed to be used as a wiring diagram.

We recommend that unless you are fully qualified to make repairs on the electrical system on this unit, you take it to a competent repairman for such work or adjustments. If wiring is incorrectly hooked up, engine electrical system can be damaged.

Revised 12/17/86

NOTE: ALWAYS USE ORIGINAL EQUIPMENT PARTS. Use of service/replacement parts other than original equipment parts may void your warranty

Key No.	Part No.	Description	Key No.	Part No.	Description
1	39463	Ammeter	18	120392	Flatwasher, ¼ In.
2	52583	Switch, Ignition w/Keys	19	120380	Lockwasher, Split
3	138557	Lockwasher (Switch Part)	20	120375	*Nut, Hex, ¼-20 Thd.
4	48140	Locknut (Switch Part)	21	57564	Wire Assembly, Deck Switch
5	49643	Key, Ignition	22	187745	*Screw, Hex Hd, ¼-20 x ¾ In.
6	45333	Indicator Light	23	9424215	Locknut, Hex, ¼-20 Thd.
7	48211	Fuse	24	138485	*Washer, Ext., Shakeproof, 5/16 In.
8	57550	Wire Harness Assembly	25	120368	*Nut, Hex, 5/16-24 Thd.
9	57551	Battery Rod	26	53716	Solenoid
10	57552	Bracket, Battery, Hold-Down	27		Engine Part
11	271184	*Nut, Keps, 5/16-18 Thd.	28	54888	Retainer, Wire
12	271172	*Nut, Keps, ¼-20 Thd.	29	41482	Wire Clip, Press
13	55511	Ground Wire	30	56189	Lead Wire, Headlight
14	40882	Cap, Battery	31	50668	Screw, Hex Wa. Hd, No. 10-14 x ½ In.
15	52936	Battery	32	52571	Bezel, Headlight
16	126203	*Carriage Bolt, ¼-20 x ¾ In.	33	52572	Bulb, Headlight
17	126216	*Carriage Bolt, 5/16-18 x ¾ In.	34	52570	Lens, Headlight

*Standard Hardware Items - May Be Purchased Locally.