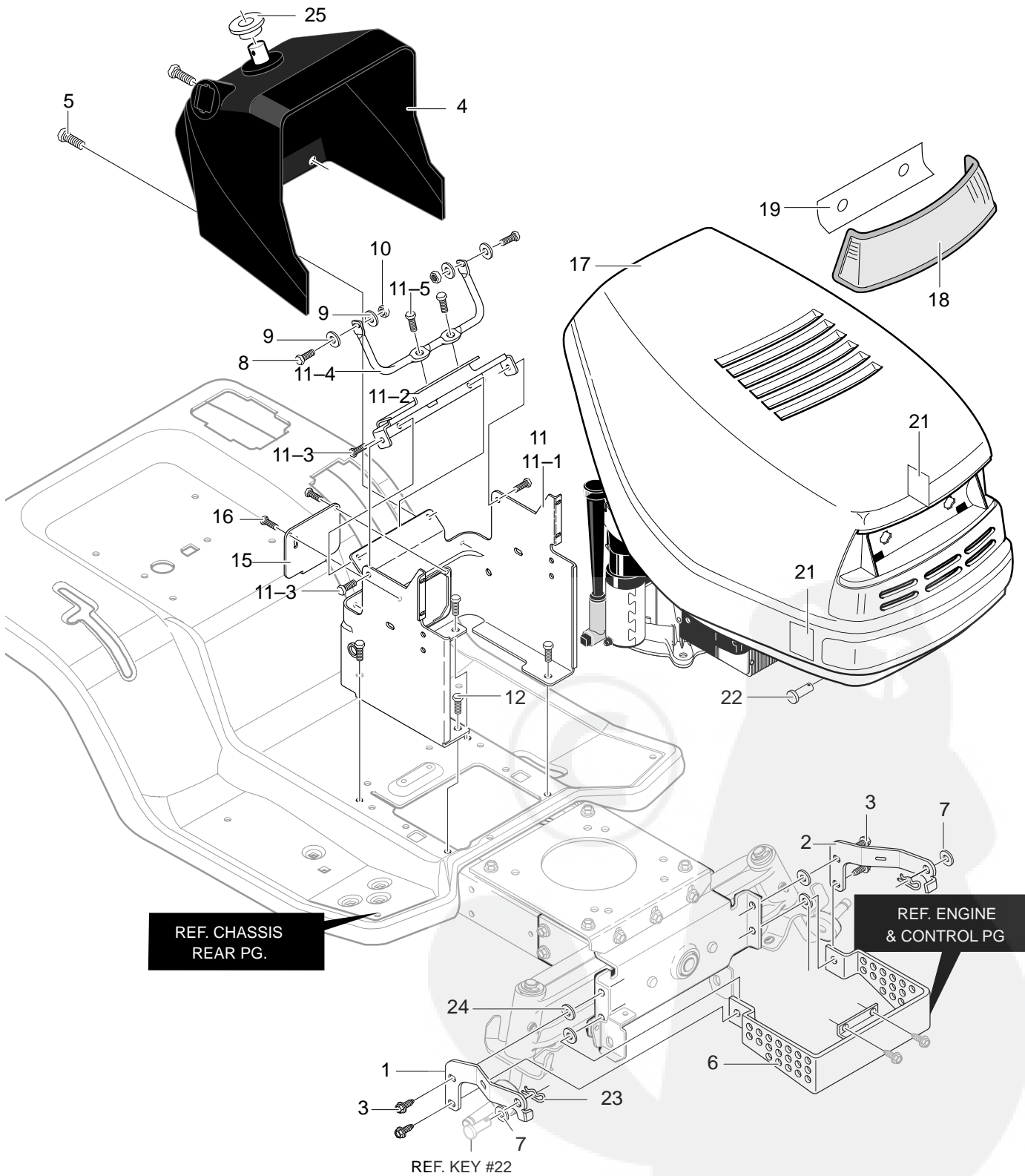


MODEL 425608x58A

REPAIR PARTS CHASSIS & HOOD ASSEMBLY

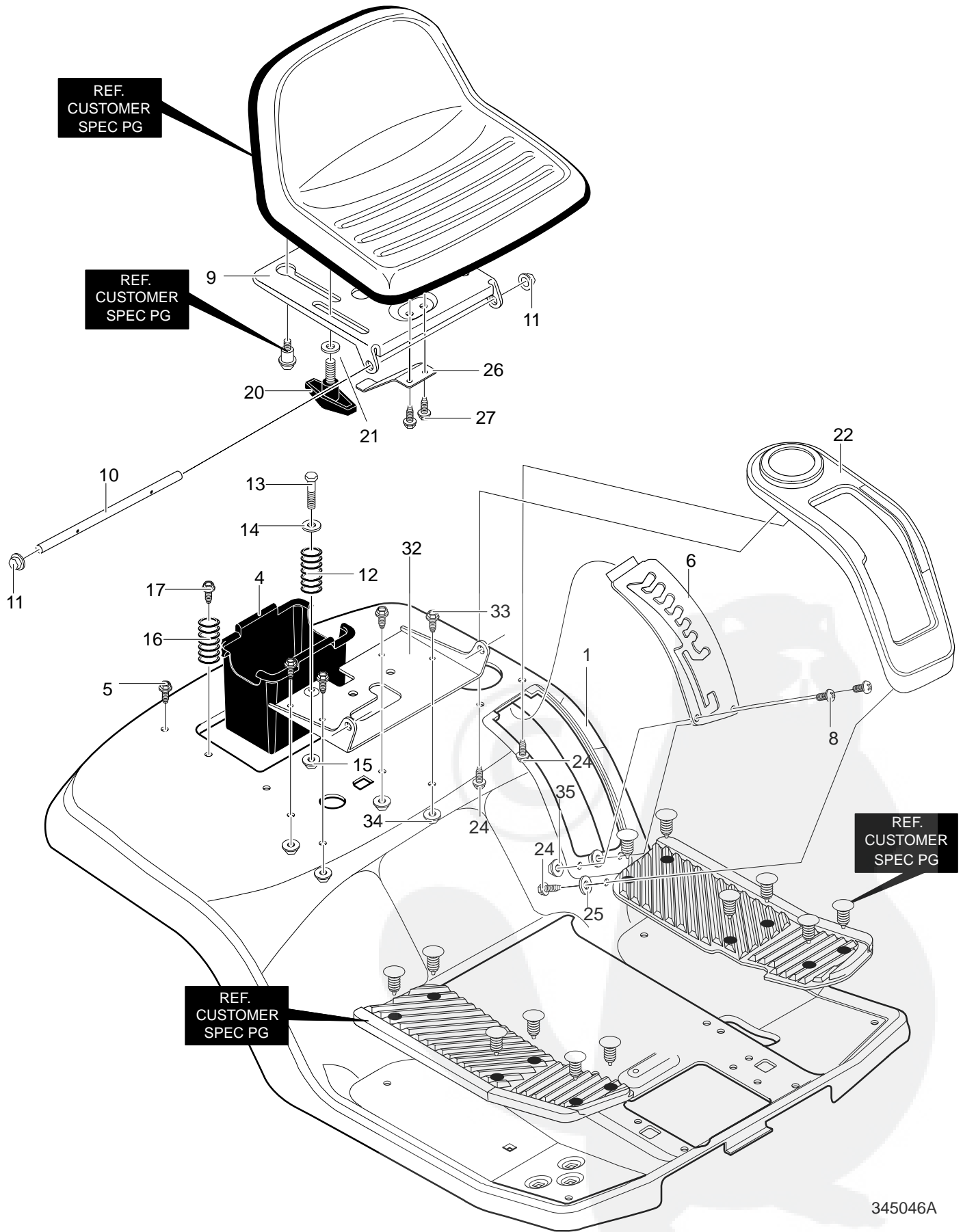


344695A

MODEL 425608x58A

REPAIR PARTS CHASSIS & HOOD ASSEMBLY

Key No.	Description	Part No.	Key No.	Description	Part No.
1	Bracket, Hood RH	95413-821	11-4	Rod, Dash Brace	95406
2	Bracket, Hood LH	95414-821	11-5	Screw, 1/4-20x.50	710264
3	Screw, 5/16-18x.75	711606	12	Screw, 10-24x.50	711606
4	Dash	690630	15	Panel, Access	94638-860
5	Screw, 1/4-14x.75	711762	16	Screw, 10-24x.50	711629
6	Heat Shield Guard	95195-821	17	Hood	94984
7	Washer, Flat Insulate	712480	18	Lens, Headlamp	302670
8	Screw, 1/4-20x.75	302628	19	Foil, Lens	308492
9	Washer, Flat .286x.63x.065	71067	21	Foil, Heat Reflector	301452
10	Nut, 1/4-20 Reghexctrlk	73826	22	Pin, Clevis	711856
11	Assembly, Lower Console	341569-860	23	Hair Pin	711682
11-1	Tower, Lower Dash	95425	24	Washer, Flat	712480
11-2	Support, Steering	95426	25	Bushing, Steering Shaft	95404
11-3	Screw, 1/4-20x.50	710264	—	Instruction Book & Parts List	F-010720J



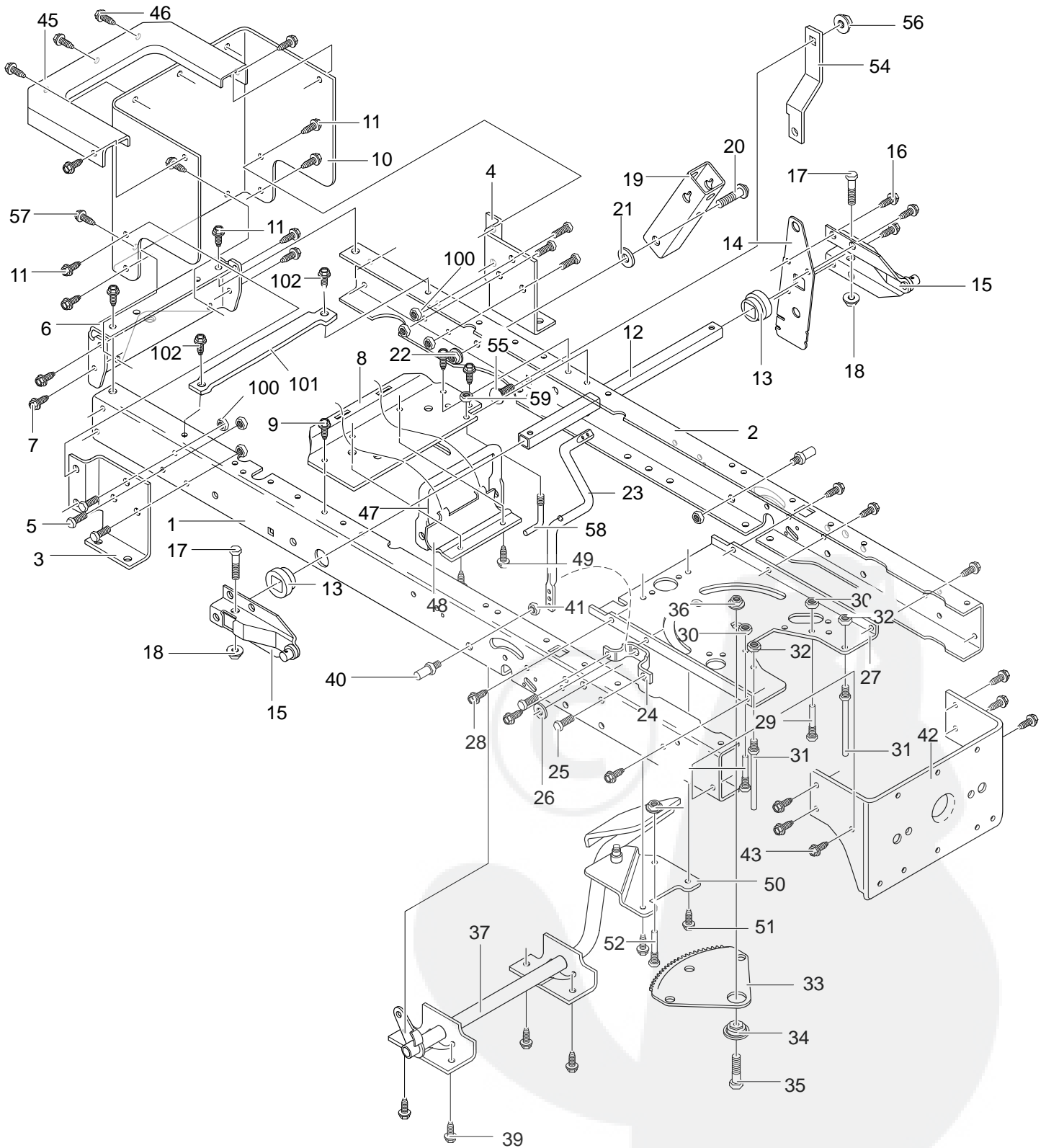
MODEL 425608x58A

REPAIR PARTS REAR CHASSIS ASSEMBLY

Key No.	Description	Part No.	Key No.	Description	Part No.
1	Seat Deck	94629-860	17	Screw, 5/16-18x.75	711606
4	Battery Container	690424	20	Wing Bolt 5/16-18x.50	711747
5	Screw, 1/4-20x.63	711642	21	Flat washer	711644
6	Plate, Lift Detent	94886-821	22	Detent Cover w/cup	94491
8	Screw, 10-24x.500	711629	24	Screw, 1/4-15	711671
9	Seat Support	94154-860	25	Flat washer	71067
10	Hing,e Seat Pivot	95294	26	Spring-Leaf	94057
11	Push Cap Nut	711627	27	Screw, 1/4-20x.50	711592
12	Comp. Spring	710136-821	32	Pivot Seat Bracket	94153-860
13	Shoulder Bolt, 1/4-20	711610	33	Screw, 5/16-18x.75	711606
14	Washer Cup	94293	34	Nut, 5/16-18 Wdfllk	711634
15	Nut, 1/4-20	302635	35	Nut, #10-24 Locknut	711842
16	Comp. Spring	710109-821			

MODEL 425608x58A

REPAIR PARTS FRAME ASSEMBLY

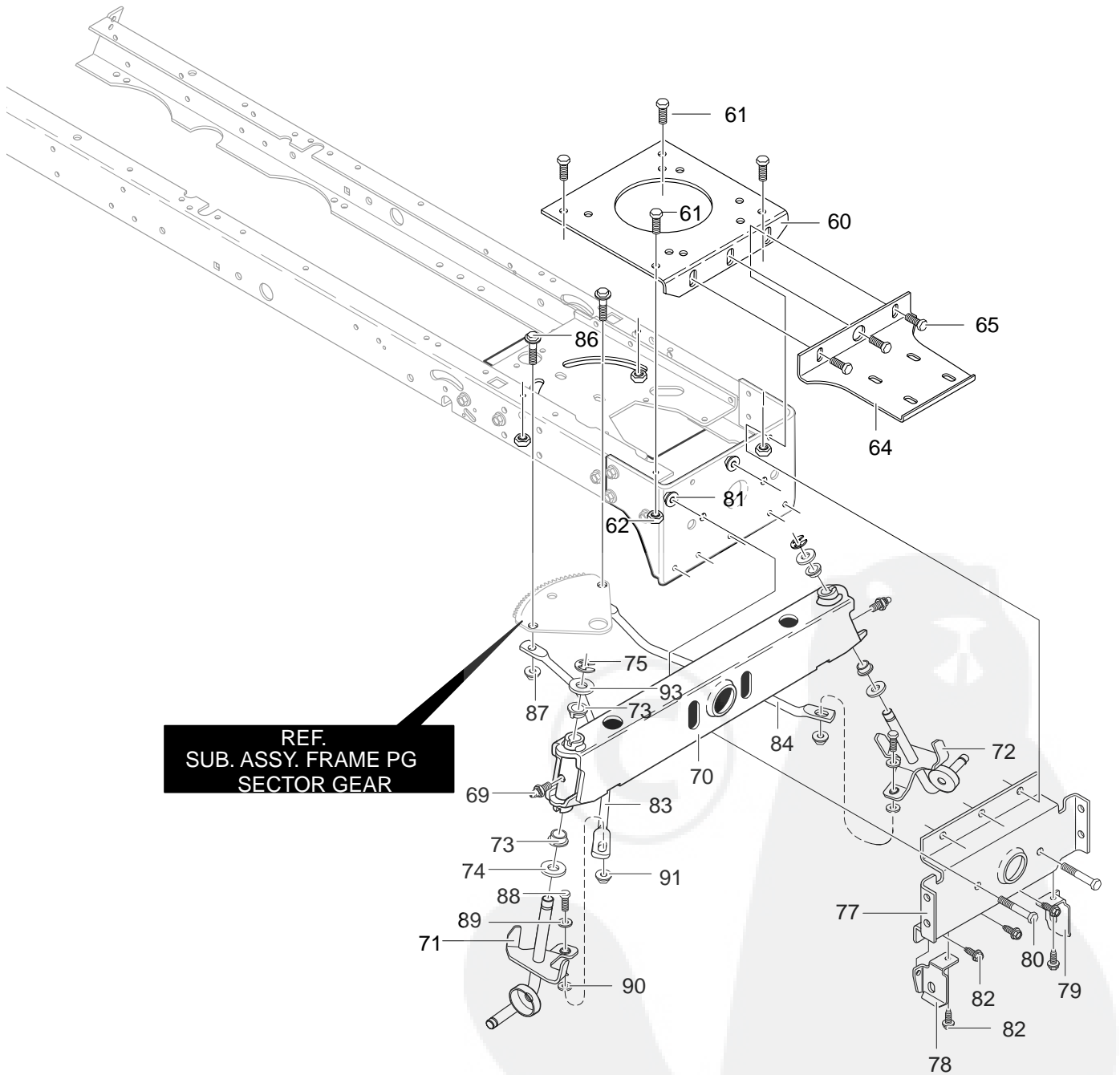


344892A

MODEL 425608x58A

REPAIR PARTS FRAME ASSEMBLY

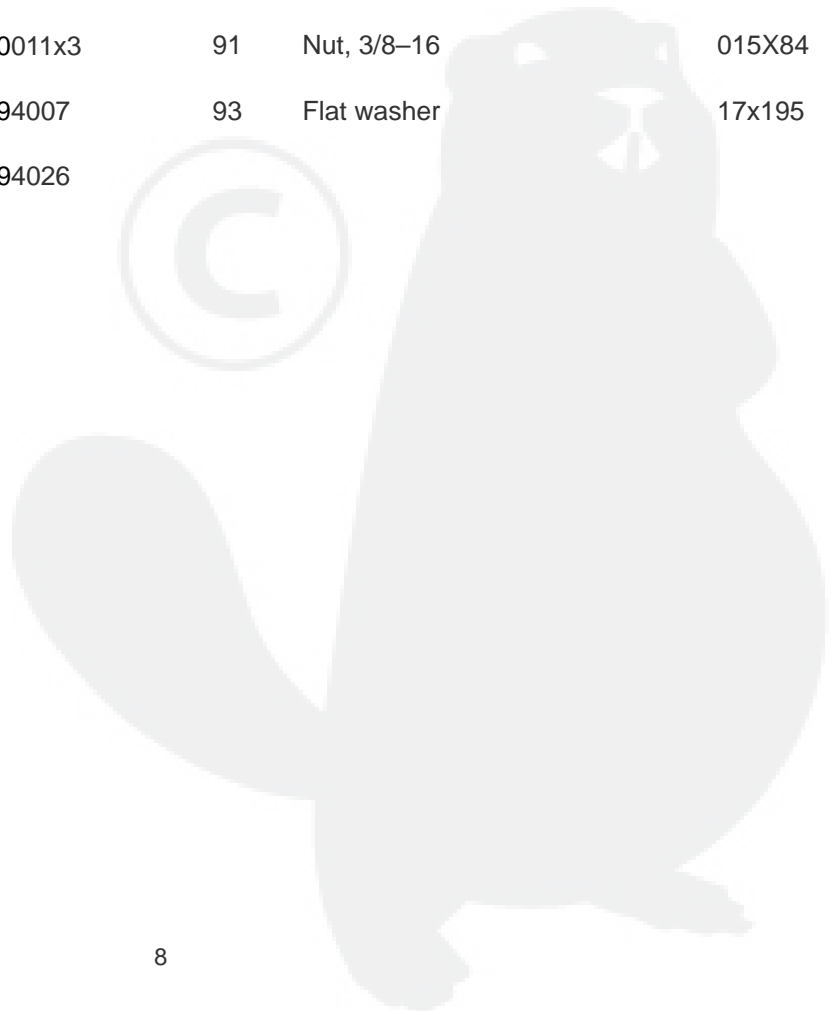
Key No.	Description	Part No.	Key No.	Description	Part No.
1	Frame, Rail RH	95110	31	Screw Guide	94066
2	Frame, Rail LH	95111	32	Nut, .32-18 Flangelock	015x79
3	Bracket, Transaxle RH	94184	33	Gear Sector	94121
4	Bracket, Transaxle LH	94185	34	Bearing, Sector Gear	94123
5	Screw, .312-18x.75	26x249	35	Screw, .312-18x1.00	001x84
6	Plate	1001002	36	Nut, 5/16 Hkeys	15x113
7	Screw, .312-18x.75	26x249	37	Cl/Br Pedal Dlx	94632
8	Bracket, Idler/Trunnion	94431	39	Screw, .312-18x.75	26x249
9	Screw, .312-18x.75	26x249	40	Pin, Threaded Shoulder	94067
10	Plate, Rear	690218	41	Nut, 3/8-16 Hwdfl Whiz	45171
11	Screw, .312-18x.75	26x249	42	Bracket, Hanger Rear	94013
12	Lifter Tube	94063	43	Screw, .312-18x.75	26x249
13	Bushing, Lift Arm	94065	45	Top, Rear Plate	94186
14	Plate, Lift Arm	94030	46	Screw, Thread Form	26x270
15	Lever, Lift Arm	94180	48	Clamp, Trunnion	94434
16	Screw .31x.50	026x49	49	Screw, 5/16-18x.75	26x249
17	Screw, .5/16-21x1.25	001x74	50	Idler, Intermediate	94409
18	Nut, .32-24 Flangelock	15x118	51	Screw, 5/16-18x.50	26x277
19	Pivot Bracket	94015	52	Screw Guide 5/16-18	93349
20	Bolt, 3/8 HSH	009x53	53	Nut, .32-18 Flangelock	015x79
21	Flat washer	17x191	54	Torque Strap Left	94433
22	Nut, .38-16 Flange Ctrlk	015x84	55	Bolt, CRG .31-18x0.62	002x53
23	PTO Crank	690394	56	Nut, .32-18 Flng Ctrlk	015x88
24	Bracket, Bell Crank	94005	57	Engine Bolt, 3/8x1.25	0025x7
25	Screw, .312-18x.75	26x249	58	Screw Guide	94781
26	Flat washer	120395	59	Nut, .32-18 Flangelock	015x79
27	Steering Plate	1001021	100	Nut, .32-18Flang Centerlock	015x88
28	Screw, .312-18x.75	26x249	101	Brkt, Battery Support	690482
29	Screw Guide 5/16-18	93349	102	Screw, 5/16-18x.75	26x249
30	Nut, .32-18 Flangelock	015x79			

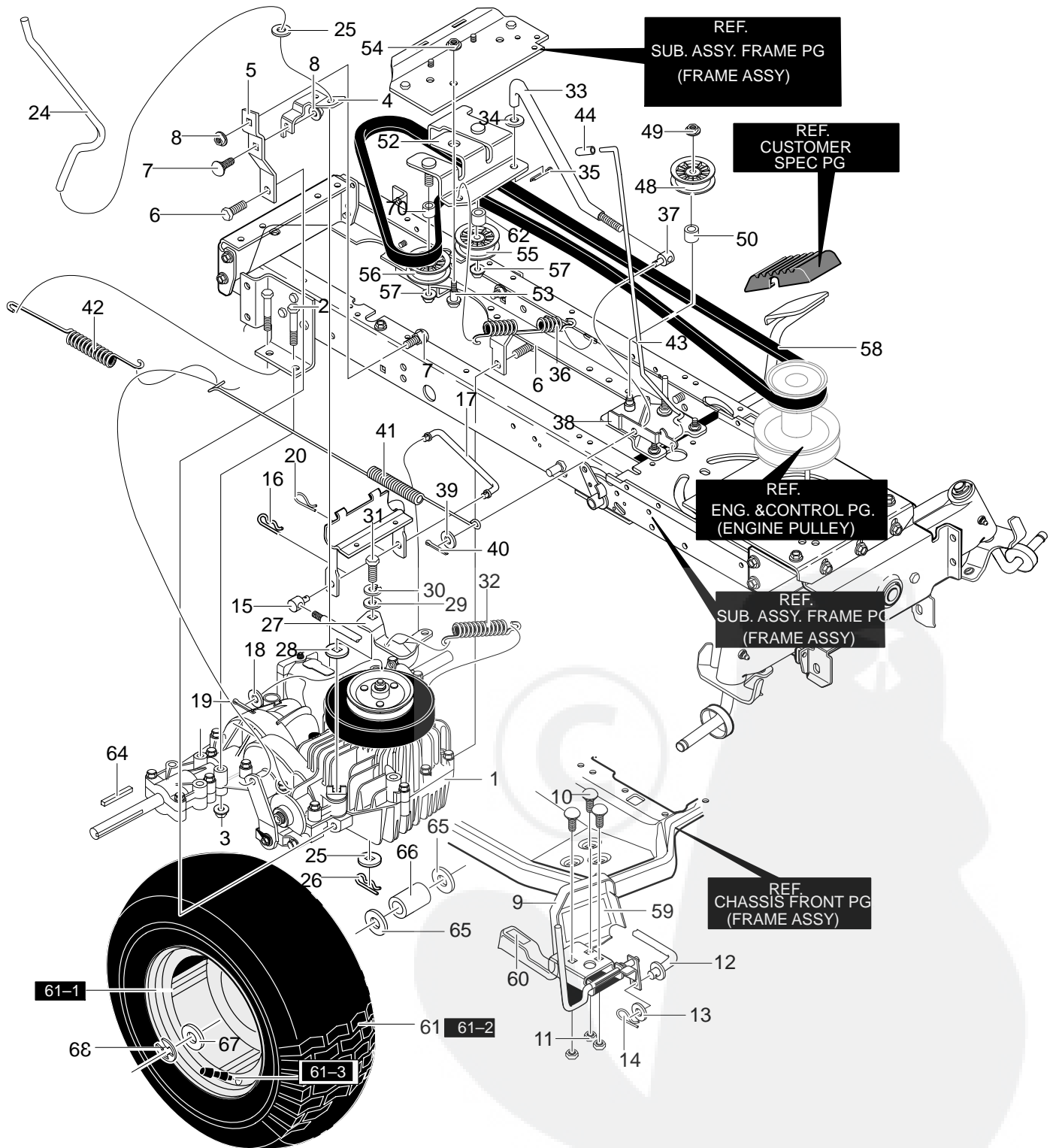


MODEL 425608x58A

REPAIR PARTS FRAME ASSEMBLY

Key No.	Description	Part No.	Key No.	Description	Part No.
60	Engine Plate	94006	79	Hanger, Deck LH	94027
61	Screw, .312-18x.75	26x249	80	Screw, 5/16-24X2.75	01x146
62	Nut, 5/16-18	015X88	81	Nut, .32-24 Flangelock	15x118
64	Bracket, Muffler Mount	94306	82	Screw, .5/16-24X2.75	26x249
65	Screw, .312-18x.75	26x249	83	Drag Link, RH	95328
69	Zerk, Grease Fitting	706	84	Drag Link, LH	95329
70	Axle, Cast Machined	690211	86	Shoulder Bolt	009x57
71	Spindle, RH	94178	87	Nut, 3/8-16	015X84
72	Spindle, LH	94179	88	Screw, 3/8-16x1.50	01X111
73	Bearing, Spindle	690150	89	Flatwasher	17X104
74	Washer, .766IDx1.62ID	17x113	90	Flatwasher	017X53
75	E-Ring	0011x3	91	Nut, 3/8-16	015X84
77	Hanger, Axle	94007	93	Flat washer	17x195
78	Hanger, Deck RH	94026			





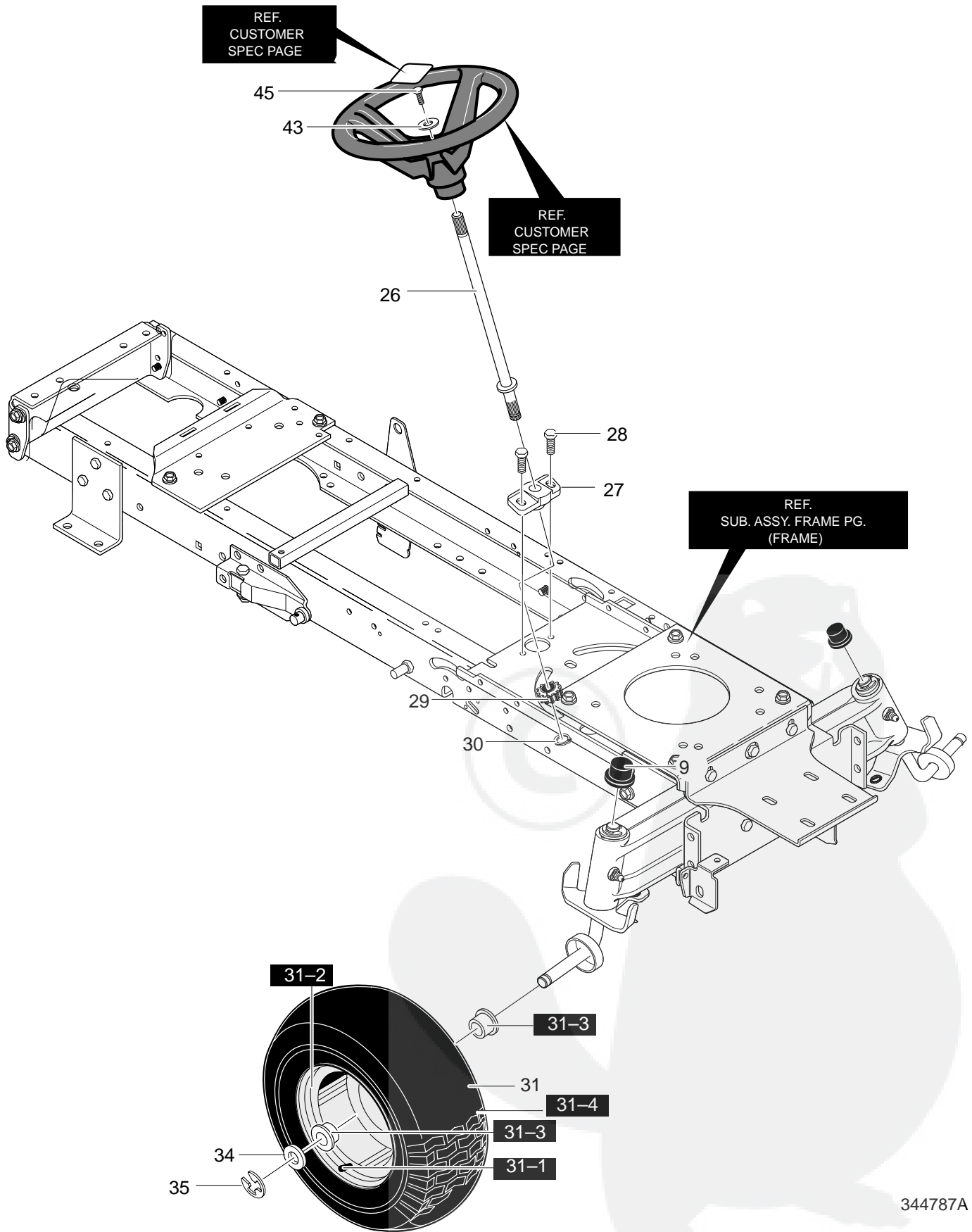
MODEL 425608x58A

REPAIR PARTS MOTION DRIVE

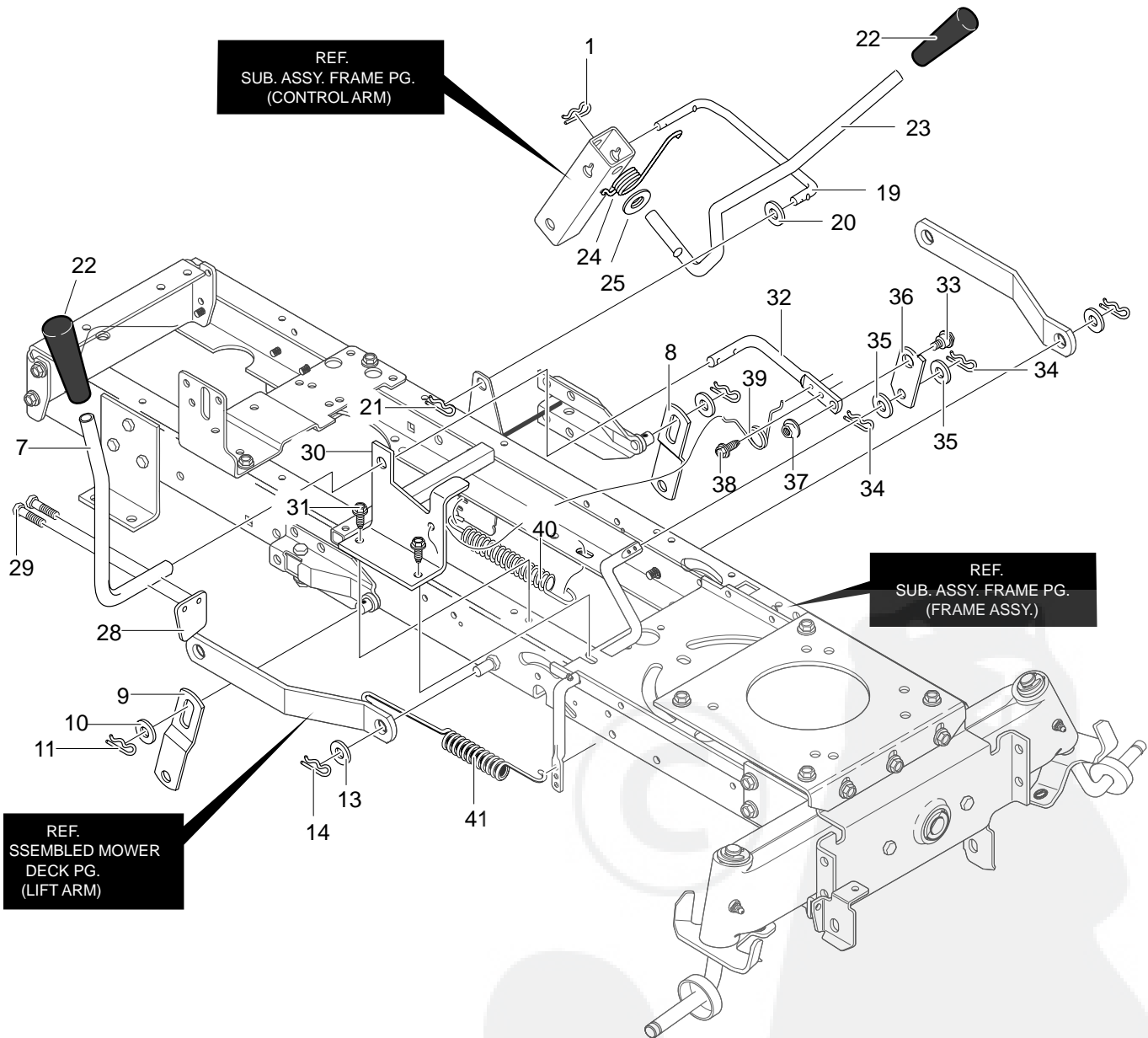
Key No.	Description	Part No.	Key No.	Description	Part No.
1	Transaxle, VST205	*	36	Spring, Clutch	710707
2	Screw, 5/16–18x2.50	711669	37	Nut, Adjusting	711596
3	Nut, 5/16–18 Wdfllk	711634	38	Latch, Park Brake	95290
4	Bracket, Disconnect	94429–821	39	Flat washer	711623
5	Torque Strap	94432–821	40	Cotter Pin	71081
6	Screw, 5/16–18x.75	710268	41	Spring, Extension	710333
7	Bolt, 5/16–18x.63	711661	42	Spring, Tension	710353
8	Nut, 5/16–18 Hexwdfllk Wh	710026	43	Park Brake Rod	690046
9	Pedal Assy., Hydro	690013–821	44	Grip	91079
10	Bolt, 5/16–18x.75	711688	48	Pulley, Idler	690409
11	Nut, 5/16–18	710026	49	Nut, 3/8–16	711920
12	Rod, Pedal Link	95278	50	Spacer, 1/2 to 17MM	690369
13	Washer	711761	52	Asm., Bracket Idler	95305
14	Hair Pin	711676	53	Bolt, 3/8–16	711613
15	Adjust Nut 1/2–13	711594	54	Nut, 3/8–16	711622
16	Hair Pin	711682	55	Pulley, Idler	690409
17	Rod Hydro Link	95279	56	Pulley, Idler	690410
18	Flat washer	711617	57	Nut, 3/8–16	711920
19	Cotter Pin	71081	58	Belt, Motion Drive	710531
20	Hair Pin	711676	60	Pad, Toe Sandpaper	93249
24	Rod, Disconnect	94428 Z	61	Tire & Rim	692511
25	Washer, Flat	711644	61–1	Valve Stem	338512
26	Pin, Cotter	71081	61–2	Rim	338524
27	Arm Disconnect	95299	61–3	Tire	338525
28	Washer	17x148	62	Spacer 1/2 to 17MM	690369
29	Flat washer	710657	64	Key, Square	52928
30	Washer	710249	65	Flat washer	711648
31	Screw, 1/4–28x.75	01x145	66	Spacer .87x1.78	95274
32	Spring, Extension	710330	67	Flat washer	711758
33	Rod, Clutch	95297	68	Ring, E	0011x3
34	Flat washer	711644	70	Spacer 1/2 to 17MM	690369
35	Cotter Pin	71081	—	Hubcap	094618

* Contact your nearest transaxle dealer for parts and service.

For information on Replacement Parts see the Central Parts Distributor in your area.



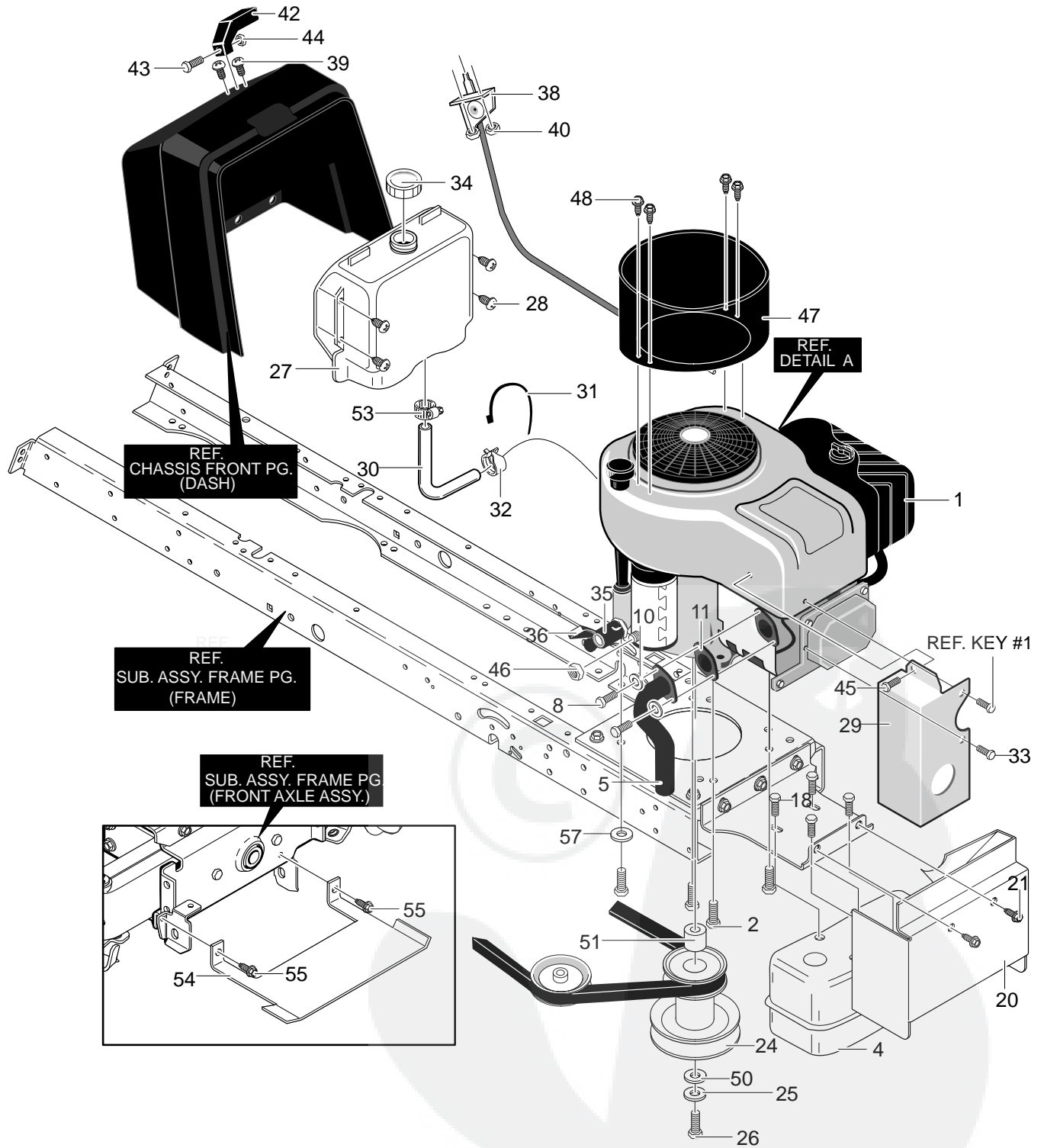
Key No.	Description	Part No.
9	Dust Hub Cap	094618
26	Shaft, Steering	094520
27	Bearing—Lower	094124
28	Screw, 5/16—18x.75	711606
29	Gear, Pinion	094122
30	Retaining Ring	710102
31	Tire & Rim	692641
31-1	Valve Stem	338512
31-2	Rim	338517
31-3	Bearing	338513
31-4	Tire	338514
34	Flatwasher	711758
35	E-Ring	0011X3
43	Flat washer	711720
45	Screw 1/4—20x.75	711719
—	Hub Cap	094618



MODEL 425608x58A

REPAIR PARTS MOWER SUSPENSION ASSEMBLY

Key No.	Description	Part No.	Key No.	Description	Part No.
1	Hair Pin	711676	27	PTO Handle	690126
8	Link, Lift LH	94611-821	28	Paddle Switch	95284
9	Link, Lift RH	94053-821	29	Screw, Thd Form	711621
10	Flat washer	711617	30	Bracket, PTO	94018-821
11	Hair Pin	711676	31	Screw, 5/16-18x.50 (26x277)	780055
13	Flat washer	711617	32	Lever, PTO	95283
14	Hair Pin	711676	33	Bolt, Shoulder 3/8-16	711613
19	Link, Lift Handle	95285	34	Hair Pin	711659
20	Flat washer	711617	35	Washer, Flat	711615
21	Hair Pin	711676	36	Link PTO	95282
22	Grip	94506	37	Nut, 3/8-16	711622
23	Handle, Lift	690532	38	Screw, 5/16-18x.75	711606
24	Washer, Flat	711616	39	Torsion Spring	710141
25	Torsion Spring	710111	40	Spring	165x117
26	Grip	94505	41	Spring, Extension (165x118)	710208



MODEL 425608x58A

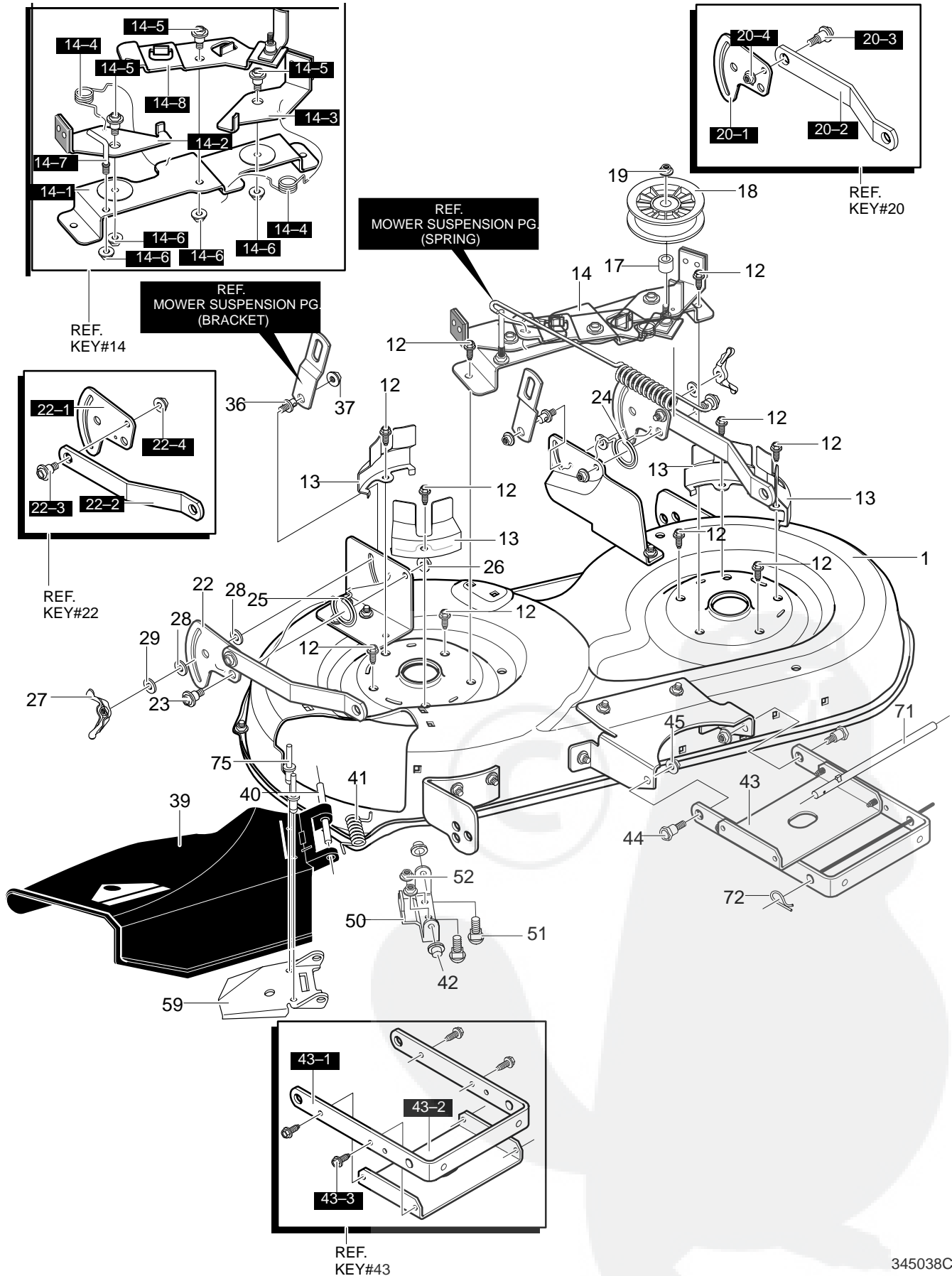
REPAIR PARTS ENGINE AND CONTROL ASSEMBLY

Key No.	Description	Part No.	Key No.	Description	Part No.
1	15.5HP (See Engine Manual)	Engine	33	Screw, 1/4–20x.50	711592
—	Clip, Speed	94951	34	Gas Cap 2.0	690615
2	Engine Bolt 3/8x1.25	0025x7	35	Oil Drain Valve Assembly	325547
4	Muffler, Single Cylinder	94654	36	Cap, Oil Drain Valve	327422
5	Exhaust Tube	94657	38	Throttle Control	95370
8	Screw, 5/16–18x.75	313676	39	Screw, 10–24x.63	711755
10	Washer	313679	40	Nut, #10–24	711754
11	Gasket, Muffler	91309	42	Knob, Throttle Control	94931
18	Screw, 1/4–20x.63	711642	43	Screw, #8–32	711750
20	Heat Shield, Lower Front	95439–821	44	Nut, #8–32	711748
21	Screw, 5/16–18x.75	711606	45	Screw, 10–16x.50 Drill	711593
24	Stack Pulley	690450	46	Nut, 1/4–20	711601
25	Washer, Regsptlk	120383	47	Plenum	690059
26	Screw, 7/16–20	1x169	48	Screw, 10–16x.50 Drill	711593
27	Tank, Fuel 2 Gal.	314991	50	Flat washer	17x170
28	Screw, #12x.50	711741	51	Spacer, Sleeve	93077
29	Heat Shield Side	333772–821	53	Clamp, Hose Screw Type	47345
30	Gas line 12 Inches	42258	54	Shield, Anti-Dehydration	95192–821
31	Cable Tie	57444	55	Screw, 5/16–18x.75	711606
32	Clamp, Fuel	336890	57	Washer	711668

Key No.	Description	Part No.
1	42" Blade Housing	94188
2	Bracket, Deck RH	94191
3	Bracket, Deck LH	94192
4	Bolt, .31-18x0.62	002x53
5	Nut, .32-18 Flangelock	015x79
9	Plate, Rear Toeguard	92426
10	Bolt, .31-18x0.62	002x53
11	Nut, .32-18 Flng Ctrlk	015x88
12	Bracket, Front Deck	94190
13	Bolt, .31-18x0.62	002x53
14	Nut, .31-18 Flangelock	015x79
15	Bracket, 42" Deck RH	92422
16	Bracket, 42" Deck LH	92423
17	Bolt, .31-18x0.62	002x53
19	Nut, .32-18 Flng Ctrlk	015x88

MODEL 425608x58A

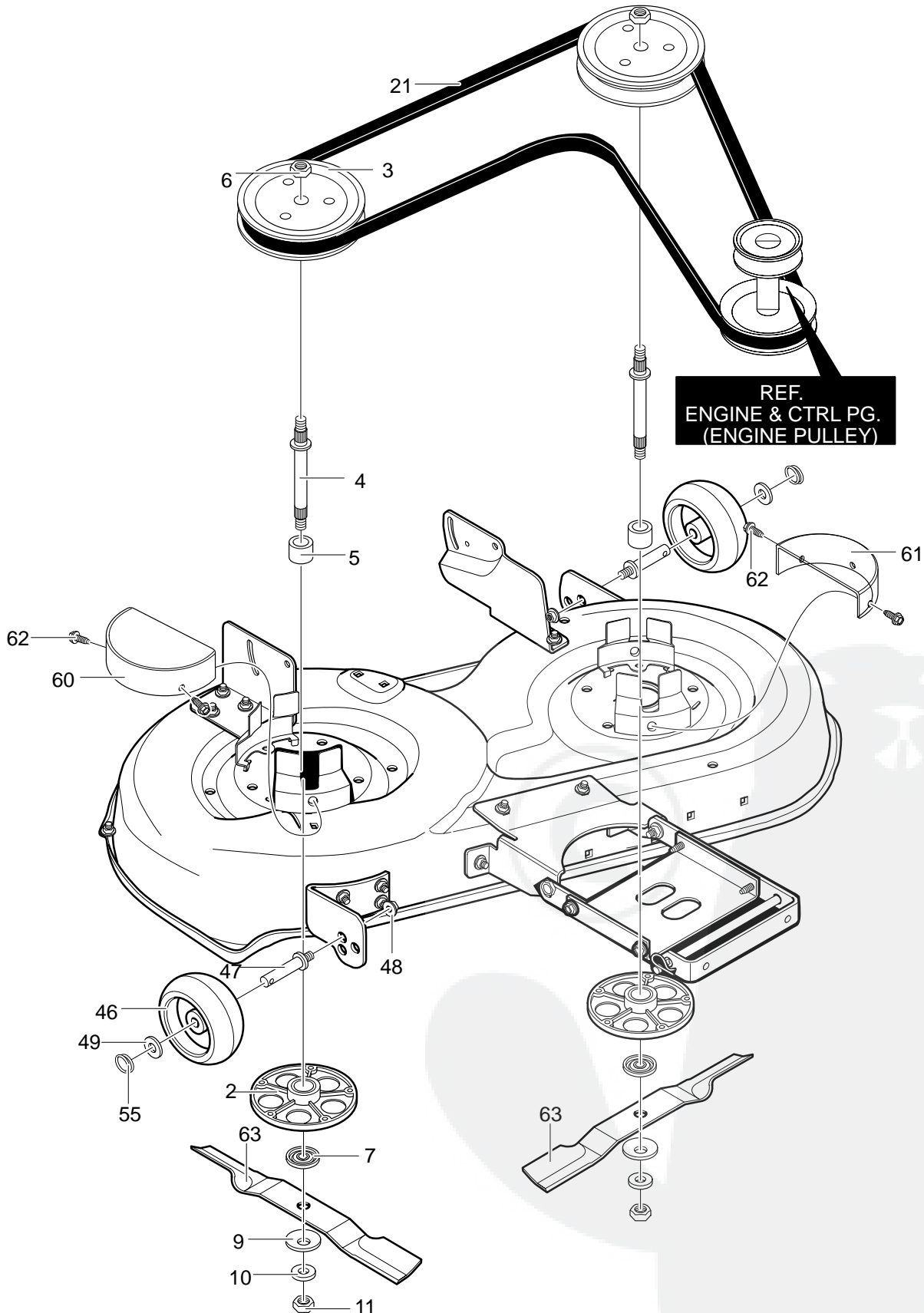
REPAIR PARTS DECK ASSEMBLY



MODEL 425608x58A

REPAIR PARTS DECK ASSEMBLY

Key No.	Description	Part No.	Key No.	Description	Part No.
1	Blade Housing Assembly	94189-821	23	Bolt, Shoulder	711611
12	Engine Bolt 3/8x1.25	0025x7	24	Spring, Torsion LH	710113
13	Cover, Segment Belt Guide	94051-821	25	Spring, Torsion RH	710112
14	Asm., Brkt supt w/Brakes	690138-821	26	Nut, 3/8-16	711622
14-1	Bracket, Brake Mtg.	94193	27	Wingnut, 5/16-18	711600
14-2	Assy., Brake RH	94047	28	Pad, Friction	94137
14-3	Assy., Brake LH	94049	29	Washer	711628
14-4	Torsion Spring	710227	36	Pin, Hanger	711595
14-5	Bolt, 3/8-16 HSSH	710098	37	Nut, 3/8-16	711622
14-6	Nut, .38-16 Fling Ctrlk	015x84	39	Deflector Chute	94687
14-7	Screw Guide	94781	40	Rod, Chute Deflector	95303
14-8	Assy., Idler Arm	690408	41	Spring, Torsion	710194
14-9	Nut, .32-18 Fling Ctrlk	015x88	42	Nut, Push Cap	711627
17	Spacer, 1/2 to 17MM	690369	43	Asm., Bracket & Stiffener	690058-821
18	Idler Pulley	690451	43-1	Bracket, Front Suspension	94058
19	Nut, 3/8-16 Hwdflk Mack	711920	43-2	Stiffener	95057
20	Asm., Plate Rear Sus. Brkt LH	341594-821	43-3	Screw, 5/16-18x.75	26x249
20-1	Plate-Suspension	94128	44	Bolt, Shoulder .375	009x51
20-2	Suspension Bracket Rear	94055	45	Nut, 3/8-16 Wdflk Mack	015x84
20-3	Bolt, Shoulder	9x52	50	Bracket, Chute Attach	94956-821
20-4	Nut, 3/8-16	15x84	51	Carr. Bolt, 5/16-18x.63	711661
22	Assy, Plate,Rear Sus Bkt RH	341593-821	52	Nut, 5/16-18 Wdflk	711634
22-1	Plate-Suspension	94128	59	Deflector Support	94686-821
22-2	Suspension Bracket Rear	94055	71	Rod, Hanger	95295
22-3	Bolt, Shoulder	9x52	72	Hair Pin	711676
22-4	Nut, 3/8-16	15x84	75	Rivet, Semi	711624



MODEL 425608x58A

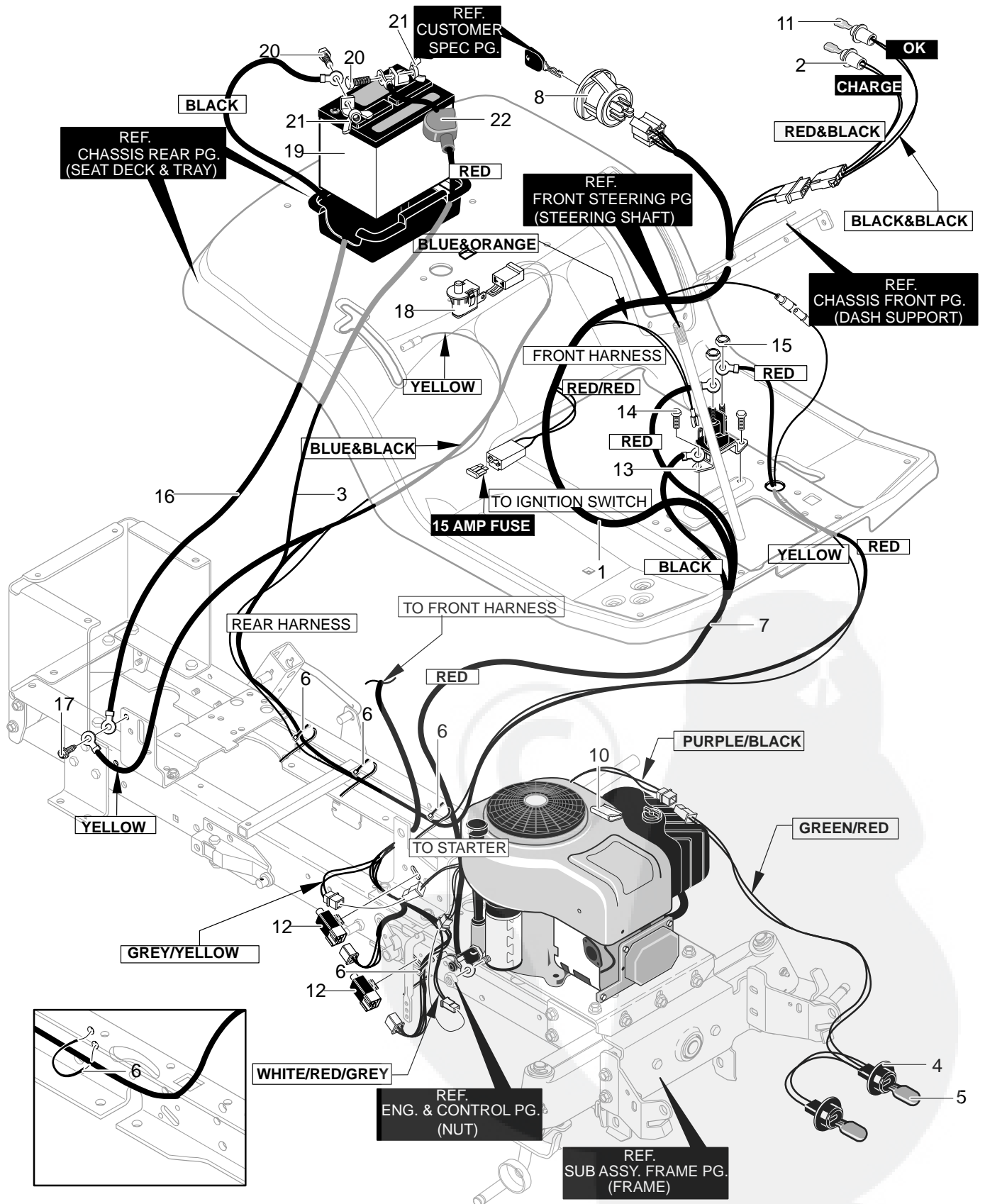
REPAIR PARTS DECK ASSEMBLY

Key No.	Description	Part No.	Key No.	Description	Part No.
2	Jackshaft Assembly	1001046	46	Gauge Wheel	92683
3	Pulley, Split	95308	47	Bolt, SPSH 3/8-16	711746
4	Jackshaft	94129	48	Nut, 3/8-16	711622
5	Spacer	92850	49	Flat washer	711615
6	Nut	15x121	55	Circle Pin	711764
7	Adapter, Deck/Blade	1001035	60	Guard, Belt RH	94669-821
9	Washer	17x166	61	Guard, Belt LH	94668-821
10	Washer	17x165	62	Screw, 1/4-20x.63	711642
11	Nut, .56-18 Regular	15x100	63	Blade, 42" Low Lift	95102E701
21	Belt, 42" Deck	710213			

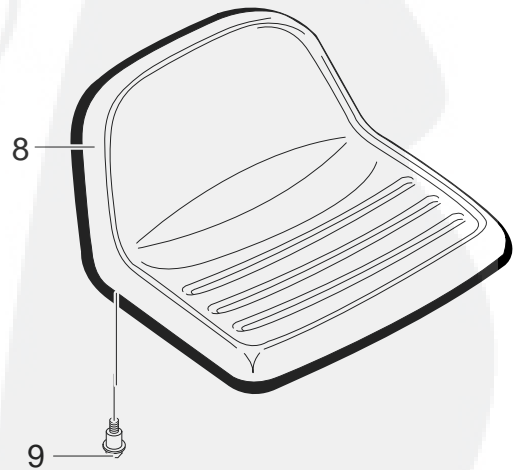
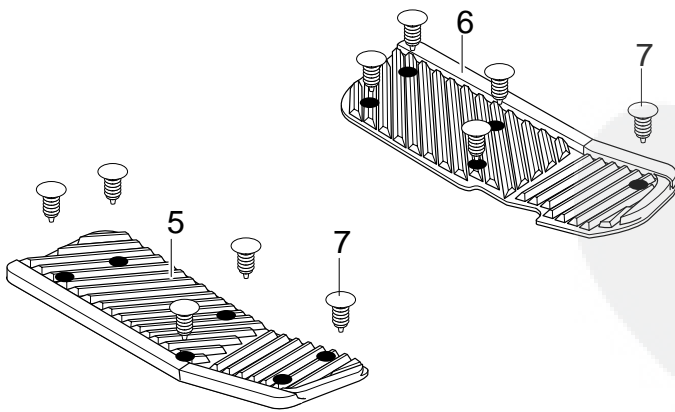
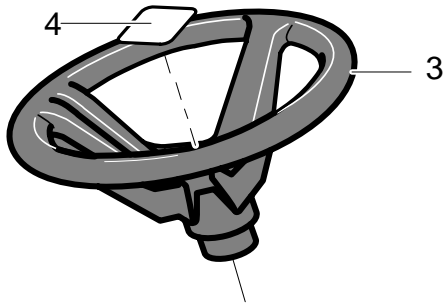
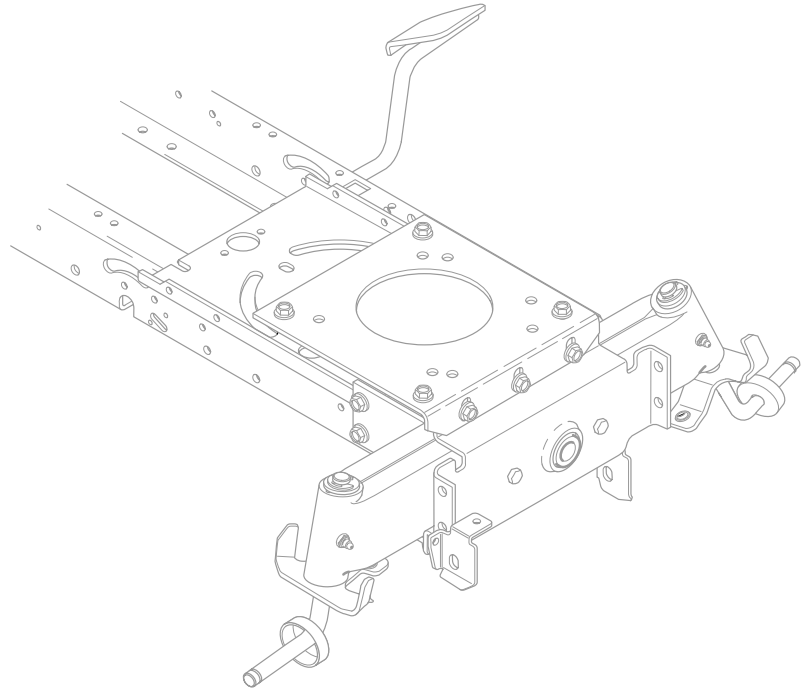
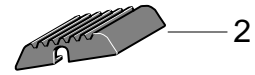
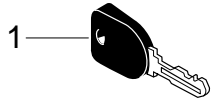


MODEL 425608x58A

REPAIR PARTS ELECTRICAL ASSEMBLY



Key No.	Description	Part No.
1	Wire Harness w/Indicator	95374
2	Harness, Ind. PTO/CHG	690611
3	Wire Harness, Rear	340530
4	Wire Harness for Headlights	94103
5	Bulb, Headlamp	52572
6	Cable Tie	57444
7	Wire, Lead Solenoid to Starter	711579
8	Switch, Ignition	94762
10	Wire Clip, Adhesive	55939
11	Bulb, Indicator	57769
12	Switch, Limit	94136
13	Solenoid	94613
14	Screw 1/4x.50	711619
15	Nut, 1/4-20	711632
16	Ground Wire	710228
17	Screw, 1/4x.75	711760
18	Seat Switch	94159
19	Battery 5 Plate	92739
20	Bolt, 1/4-20x.63	711680
21	Wing Nut	711636
22	Battery Boot	690604
—	15 Amp Fuse	302031



Key No.	Description	Part No.
1	Ignition Key	327350
2	Pad, Clutch/Brake	94630
3	Steering Wheel	95184
4	Insert, 4-Spoke	711325
5	Footrest Pad RH	95438
6	Footrest Pad LH	95437
7	Ratchet Fastener	311087
8	Seat	95236
9	Shoulder Bolt 5/16-18	711740

