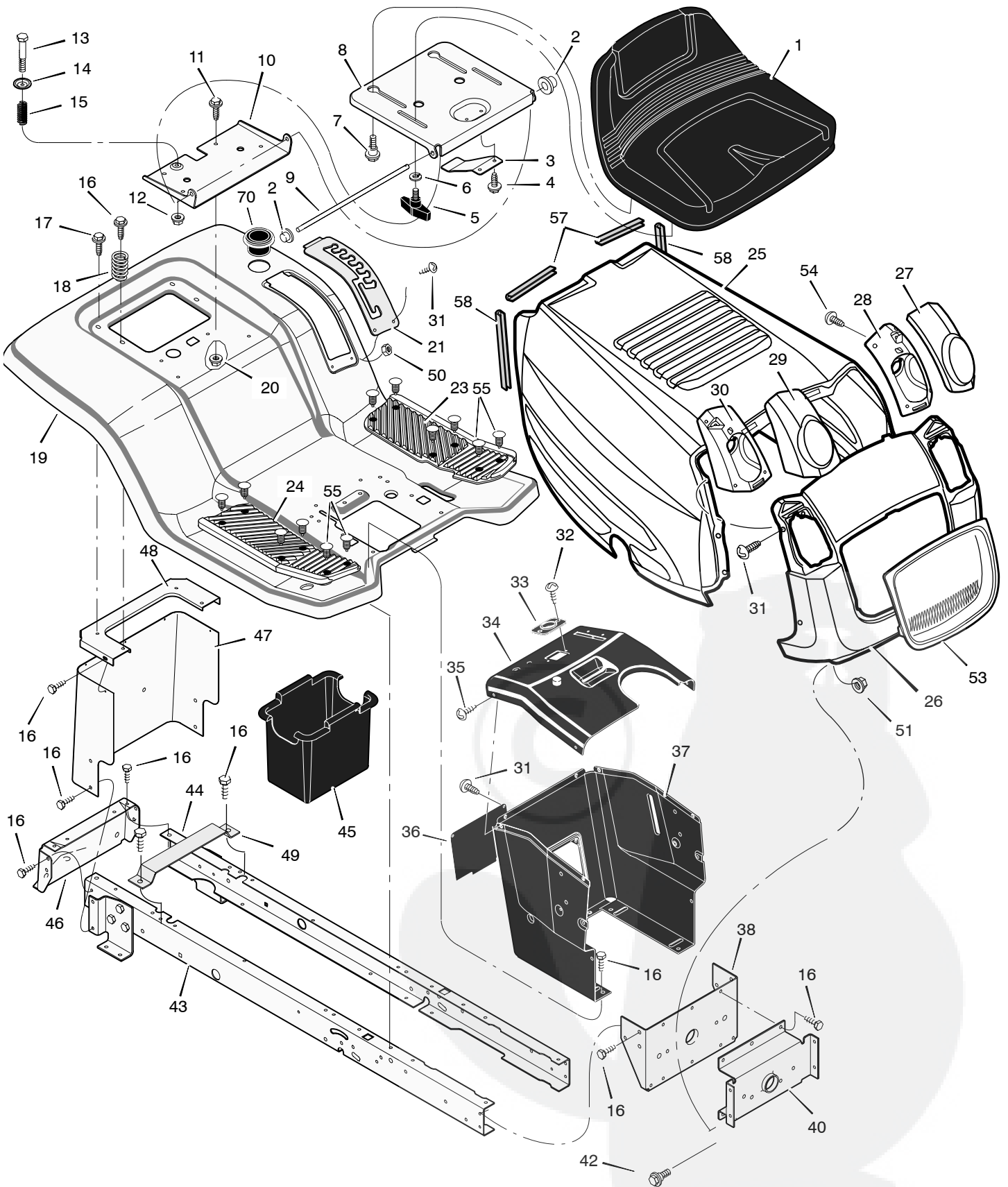


MODEL 425615x50B

REPAIR PARTS CHASSIS & HOOD



MODEL 425615x50B

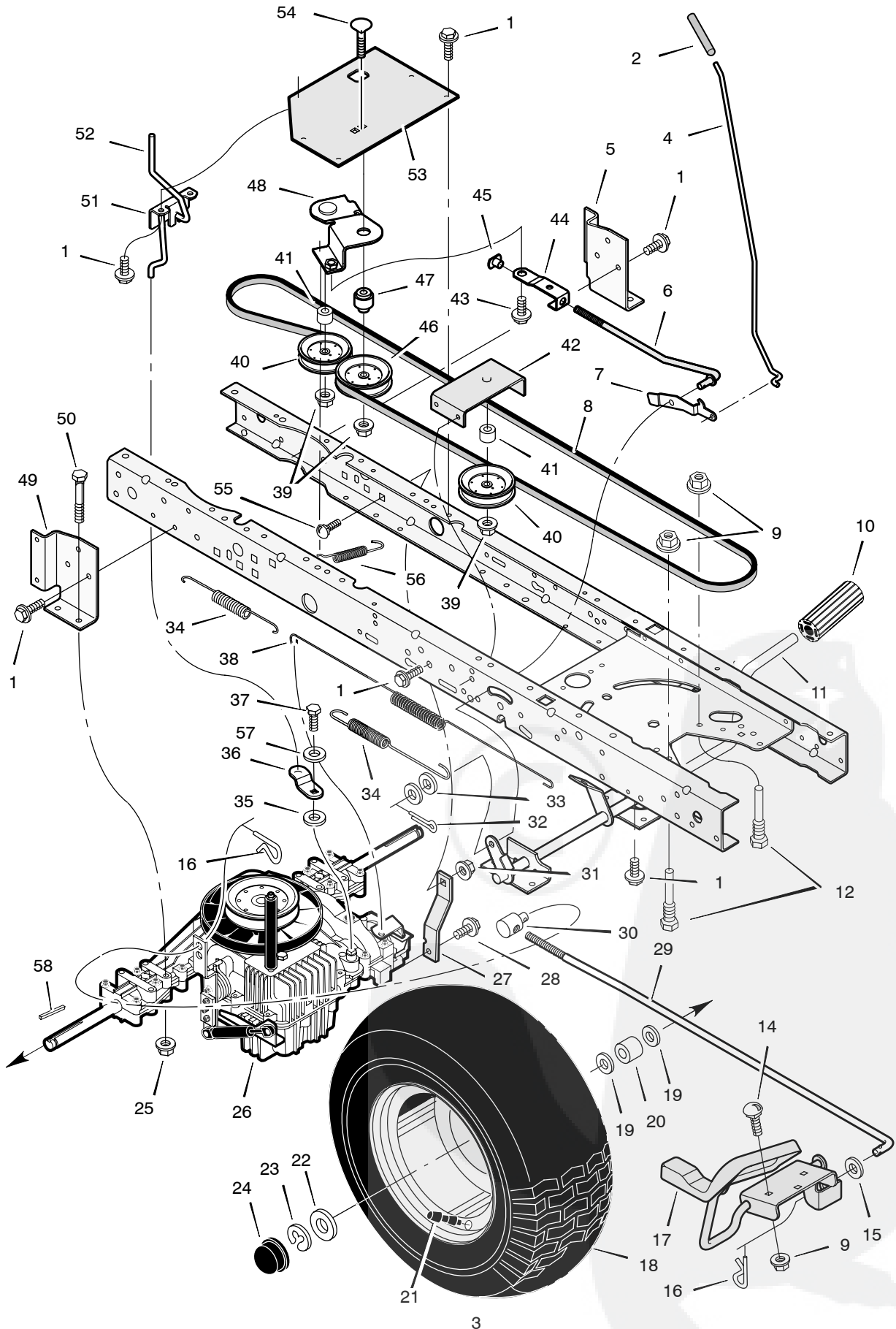
REPAIR PARTS CHASSIS & HOOD

Key No.	Part No.	Description	Key No.	Part No.	Description
1	095236	Seat	29	1001551	Lens, Right
2	028x23	Cap, Push On	30	1001549	Housing, Right Headlamp
3	094057	Spring	31	26x270	Screw
4	26x229	Screw	32	26x238	Screw
5	1001054	Bolt, Wing	33	1001491	Bearing, Steering
6	017x47	Washer	34	1001594E717	Dash
7	009x56	Bolt, Shoulder	35	26x201	Screw
8	094154E701	Support, Seat	36	093007E701	Panel, Access
9	094156 Z	Rod, Pivot	37	095318E717	Support, Dash
10	1001648E701	Bracket, Pivot	38	1001270E701	Bracket, Rear Hanger
11	001x45	Bolt	40	094007E701	Axle, Hanger
12	015x89	Nut	42	009x58	Bolt, Shoulder
13	009x55	Bolt, Shoulder	43	1001928E701	Frame, Right
14	094155 Z	Washer	44	1001927E701	Frame, Left
15	164x31	Spring	45	690424	Container, Battery
16	26x249	Screw	46	1001002E700	Plate, Hitch
17	26x263	Screw	47	1001906E700	Plate, Rear
18	164x30	Spring	48	094186E701	Top, Rear Plate
19	1001556E245	Deck, Seat	49	690482E701	Bracket, Battery Support
20	15x123	Nut	50	015x81	Nut
21	094886E700	Plate, Lift	51	15x124	Nut
22	009x47	Screw	53	1001541	Insert, Grille
23	095437	Mat, Left	54	26x259	Screw
24	095438	Mat, Right	55	0193x3	Fastener, Panel (Gray)
25	1001661E245	Hood	57	1001652	Trim, Hood (3.75")
--	1001849	Baffle, Foam *	58	1001653	Trim, Hood (6.5")
26	1001533E717	Grille	70	1001542	Holder, Cup
27	1001552	Lens, Left	--	1001482	Bag Assembly, Parts
28	1001550	Housing, Left Headlamp	--	F-040738L	Instruction Book & Parts List

* Not Illustrated

MODEL 425615x50B

REPAIR PARTS DRIVE ASSEMBLY



MODEL 425615x50B

REPAIR PARTS DRIVE ASSEMBLY

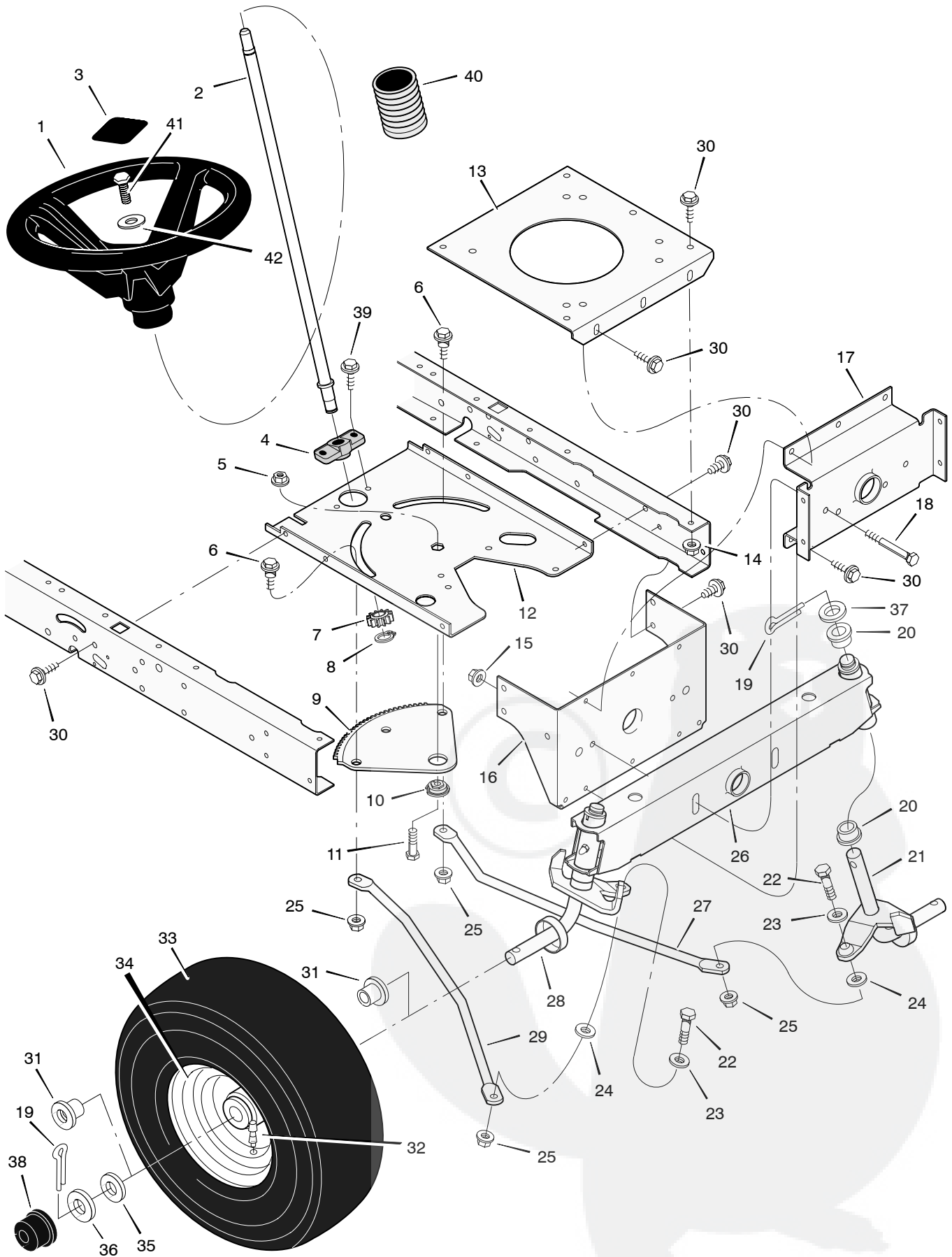
Key No.	Part No.	Description	Key No.	Part No.	Description
1	26x249	Screw	30	092132 Z	Nut, Adjusting
2	091079	Grip, Parking Brake	31	015x84	Nut, Centerlock
4	1001245 Z	Rod, Parking Brake	32	030x20	Pin, Cotter
5	094185E701	Bracket, Left Transaxle	33	017x48	Washer
6	1001013 Z	Rod, Clutch	34	165x92	Spring, Extension
7	094045 Z	Latch, Parking Brake	35	17x148	Washer
8	37x106	V-Belt, Drive	36	1001086 Z	Arm, Disconnect
9	015x79	Nut, Flange	37	06x105	Capscrew
10	021544	Pedal, Brake/Clutch	38	165x150	Spring, Brake
11	1001011E700	Assembly, Brake Pedal	39	015x98	Locknut, Flange
12	094384	Screw, Guide	40	690409	Pulley, Idler
14	002x53	Bolt, Carriage	41	690369	Spacer
15	017x57	Washer	42	1001097	Bracket, Idler Assembly
16	0031x4	Pin, Hair	43	009x49	Bolt, Shoulder
17	1001231E700	Pedal Assembly, Hydro	44	1001007 Z	Link, Clutch
18	092300-601	Wheel & Tire Ass'y, Rear	45	1001014	Nut, Tee
--	024430	Tire ONLY *	46	690410	Pulley, Idler
--	407049	Tube ONLY	47	1001012	Bushing, Pivot
19	17x160	Washer	48	1001018 Z	Arm Assembly, Idler
20	690554 Z	Spacer	49	094184E700	Bracket, Right Transaxle
21	024373	Stem, Valve	50	01x155	Bolt, Hex
22	17x195	Washer	51	1001214 Z	Bracket, Disconnect
23	0011x3	E-Ring	52	1001215 Z	Rod, Disconnect
24	094618	Cap, Hub	53	1001108E701	Bracket, Idler Pivot
25	015x88	Nut, Centerlock	54	002x92	Bolt, Carriage
26	* † *	Transaxle, Peerless HYDRO	55	002x78	Bolt, Carriage
27	1001085E701	Strap, Torque	56	165x155	Spring, Clutch
28	26x216	Screw	57	017x38	Washer
29	1001234 Z	Rod, Control	58	021553	Key, Woodruff 3/16"

* When you order a tire, make sure to give the brand name of the tire so that the tread pattern on the tire will match.

† For information on Replacement Parts for this transaxle contact the manufacturer.

MODEL 425615x50B

REPAIR PARTS STEERING



MODEL 425615x50B

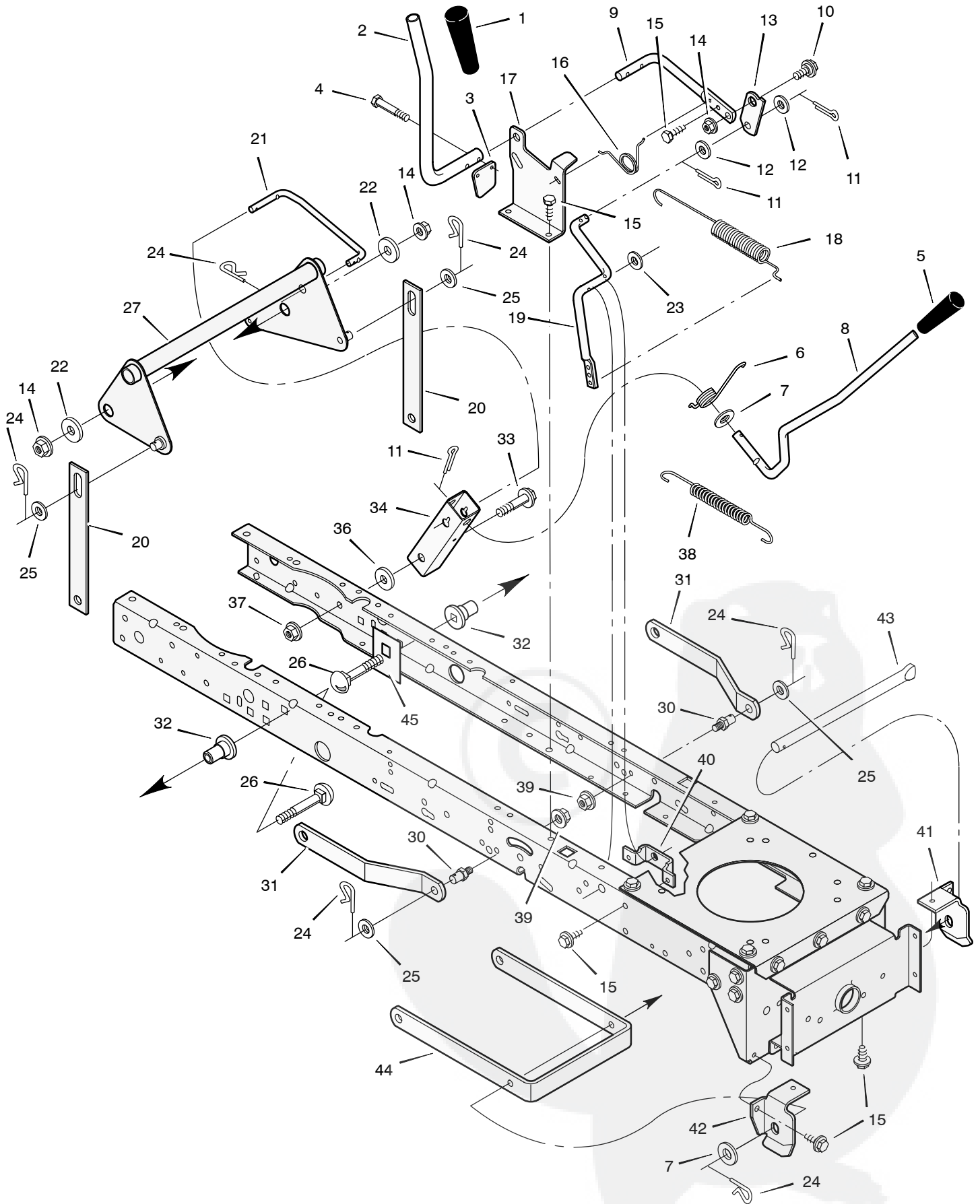
REPAIR PARTS STEERING

Key No.	Part No.	Description	Key No.	Part No.	Description
1	095184	Wheel, Steering	23	17x104	Washer
2	690625	Post, Steering	24	017x53 Z	Washer
3	711325	Insert, Steering Wheel	25	015x84	Nut, Flange
4	094124	Bearing	26	1001460E700	Axle Assembly
5	15x111	Nut, Flange	27	095329E700	Drag Link, Left
6	009x57	Bolt, Shoulder	28	094575E700	Spindle Assembly, Right
7	690183E700	Gear, Pinion	29	095328E700	Drag Link, Right
8	011x25	Ring, Snap	30	26x249	Screw
9	094121E700	Gear, Sector	31	091334	Bearing, Wheel
10	094123	Bearing	32	024373	Stem, Valve
11	001x84	Bolt	33	024380	Tire *
12	1001121E700	Plate, Steering	—	407924	Tube
13	094006E700	Plate, Engine	34	094581-601	Wheel and Tire Assembly
14	015x88	Nut, Flange	35	17x195	Washer
15	15x118	Nut, Flange	36	17x192	Washer
16	1001270E700	Bracket, Hanger	37	17x113	Washer
17	094007E700	Axle, Hanger	38	094618	Hub Cap
18	01x146	Bolt	39	26x267	Screw
19	030x49	Pin, Cotter	40	092059	Bellows
20	690150	Bearing	41	0025x3	Bolt
21	094576E700	Spindle Assembly, Left	42	17x146	Washer
22	01x111	Bolt			

* When you order a tire, make sure to give the brand name of the tire so that the tread pattern on the tire will match.

MODEL 425615x50B

REPAIR PARTS MOWER HOUSING SUSPENSION



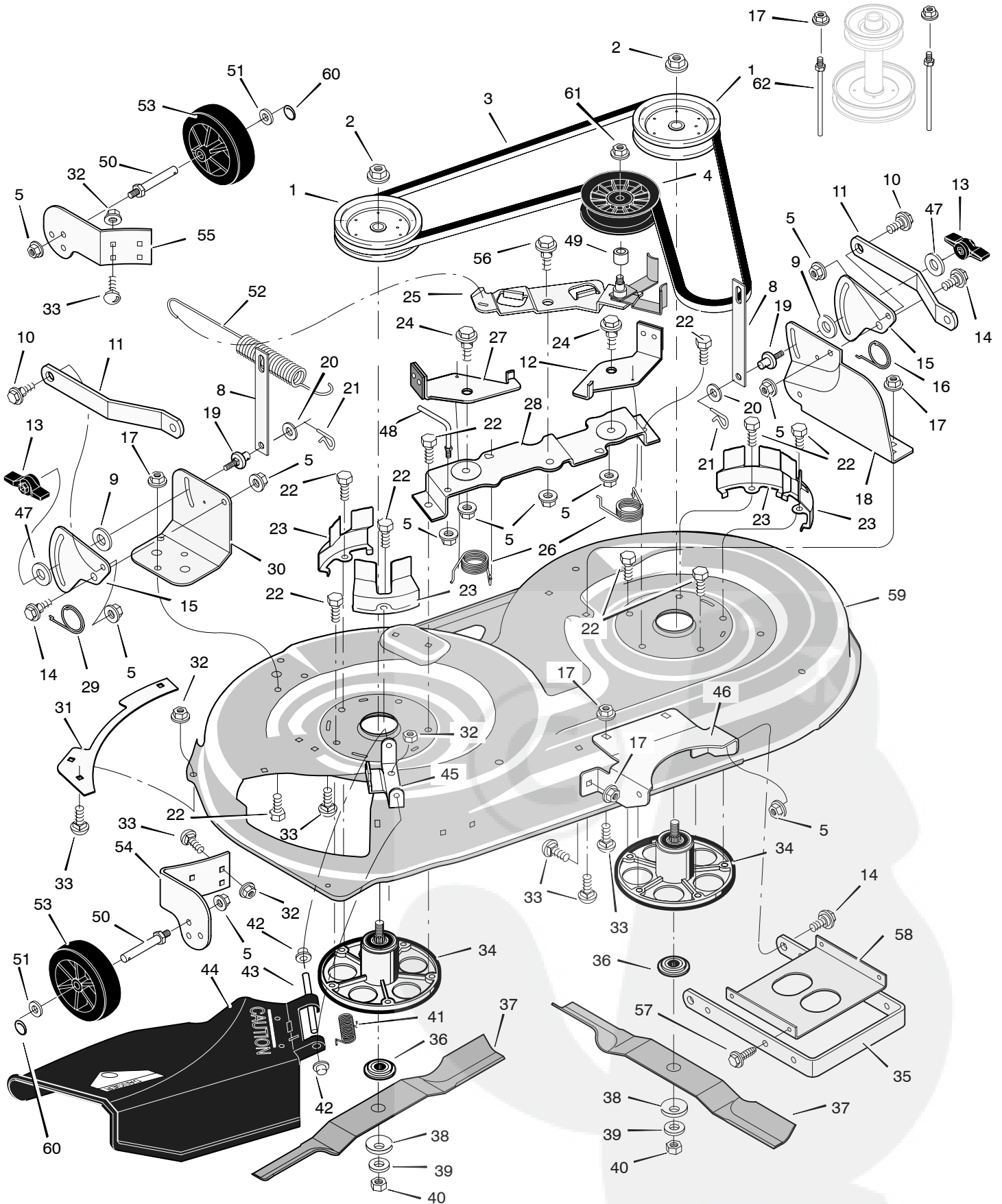
MODEL 425615x50B

REPAIR PARTS MOWER HOUSING SUSPENSION

Key No.	Part No.	Description	Key No.	Part No.	Description
1	092698	Grip, PTO	23	017x57	Washer
2	094826 Z	Handle, PTO	24	0031x4	Pin, Hair
3	094022 Z	Pad, Switch	25	017x91	Washer
4	0025x3	Bolt	26	002x85	Bolt, Carriage
5	092697	Grip	27	1001111E700	Lever Assembly, Lift
6	166x40	Spring	30	094067	Pin
7	17x103	Washer	31	094055E700	Bracket, Rear Suspension
8	690533	Handle, Lift	32	690151	Spacer, Lifter
9	094017 Z	Lever, PTO	33	009x53	Bolt, Shoulder
10	009x39	Bolt, Shoulder	34	094015E700	Bracket, Pivot
11	030x20	Pin, Cotter	36	17x191	Washer
13	094004 Z	Link, PTO	37	015x84	Nut, Flange
14	015x84	Nut, Flange	38	165x131	Spring
15	26x249	Screw	39	015x68	Nut, Flange
16	166x39	Spring	40	094005E700	Bracket, PTO
17	094018E700	Bracket, PTO	41	094027E700	Hanger, Left Deck
18	165x119	Spring	42	094026E700	Hanger, Right Deck
19	690394E700	Crank, PTO	43	094158 Z	Rod, Hanger
20	690212E700	Link, Lift	44	690539E700	Bracket, Suspension
21	690122E700	Link, Lift Handle	45	1001098E700	Plate, Stiffening
22	17x168	Washer			

MODEL 425615x50B

REPAIR PARTS MOWER HOUSING



MODEL 425615x50B

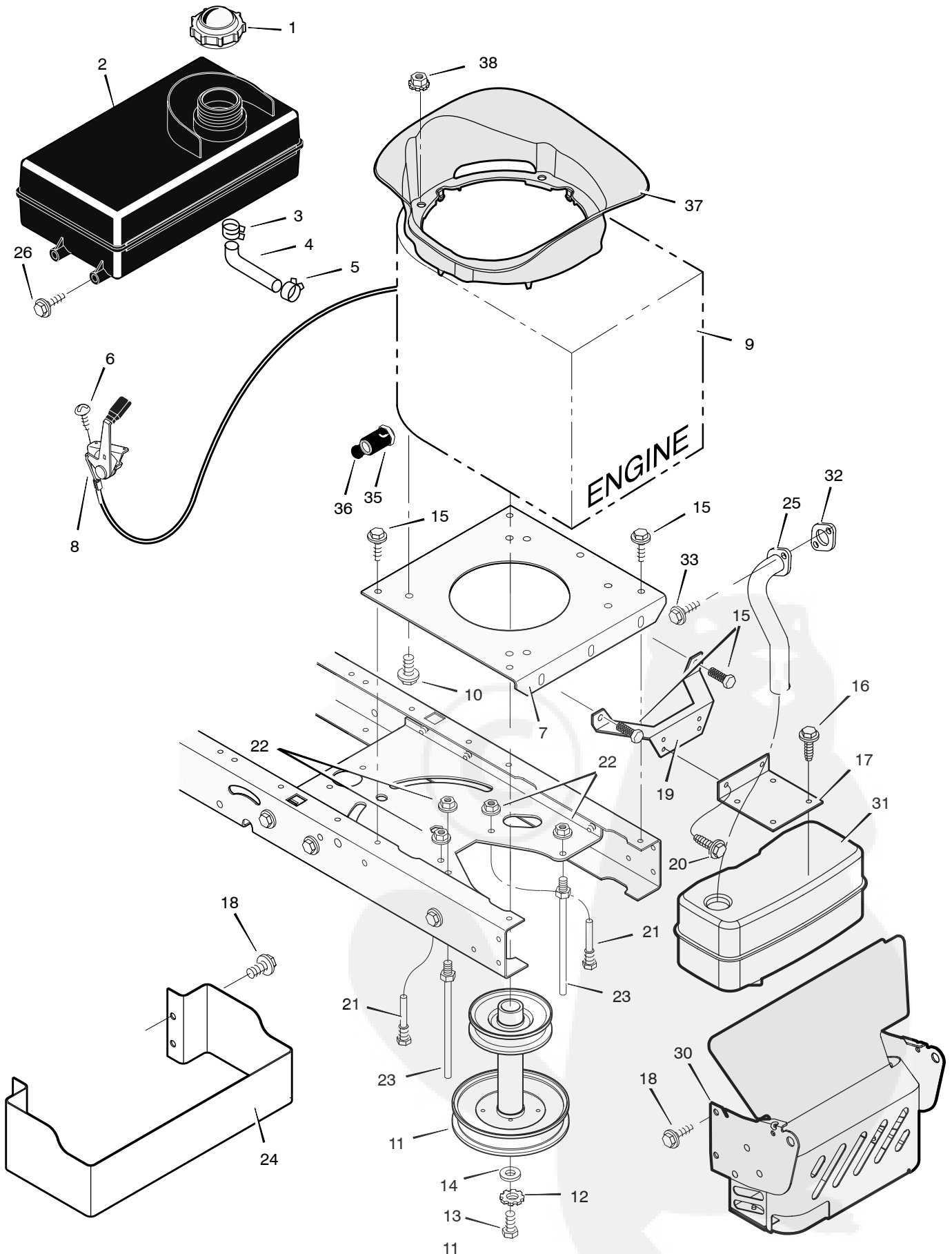
REPAIR PARTS MOWER HOUSING

Key No.	Part No.	Description	Key No.	Part No.	Description
1	094199	Pulley, Jackshaft	34	1001200	Mandrell Housing
2	15x140	Nut, Hex	35	690539E700	Bracket, Suspension
3	037x88	Belt, Mower Drive	36	690411	Adapter, Blade
4	690387	Pulley, Idler	37	1001429E701	Blade
5	015x84	Nut, Flange	38	17x166	Washer
8	690212E700	Link, Lift	39	17x165	Washer
9	094137	Pad, Friction	40	15x100	Nut
10	009x52	Bolt, Shoulder	41	166x4	Spring
11	094055E700	Bracket, Suspension	42	028x23	Cap, Push On
12	094049E700	Pad Assembly, Left Brake	43	094957 Z	Rod, Deflector
13	094068	Knob	44	094707SE	Deflector Assembly
14	009x51	Bolt, Shoulder	45	094956E700	Bracket, Deflector Hinge
15	094128E700	Plate, Suspension	46	094686E701	Bracket, Front Hanger
16	166x43	Spring	47	017x45	Washer
17	015x79	Nut, Flange	48	094781	Guide, Belt
18	094192E700	Bracket, Suspension	49	690369	Spacer
19	095194	Pin, Hanger	50	094025	Bolt, Axle
20	017x91	Washer	51	017x91	Washer
21	0031x4	Pin, Hair	52	165x119	Spring, Extension
22	0025x7	Bolt	53	092683	Wheel, Gage
23	094051E700	Cover, Pulley	54	1001260E700	Bracket, Right Wheel
24	009x39	Bolt, Shoulder	55	092423E700	Bracket, Left Wheel
25	690408E700	Arm, Idler	56	009x72	Bolt, Shoulder
26	166x41	Spring	57	26x249	Screw
27	094047E700	Pad Assembly, Right Brake	58	094604E700	Stiffener
28	094193E700	Bracket, Brake	59	094814E700	Housing, Blade *
29	166x42	Spring	60	031x11	Ring, Locking
30	094191E700	Bracket, Suspension	61	015x98	Nut, Flange
31	092426E700	Plate	1-61	7601032	Complete Mower Housing Assembly
32	015x88	Nut, Flange	62	094066	Guide, Belt
33	002x53	Bolt, Carriage			

* Includes Key No. 17, 18, 30, 31, 32, 33, 45, 46, 53, 54, 55, and 56.

MODEL 425615x50B

REPAIR PARTS ENGINE MOUNT



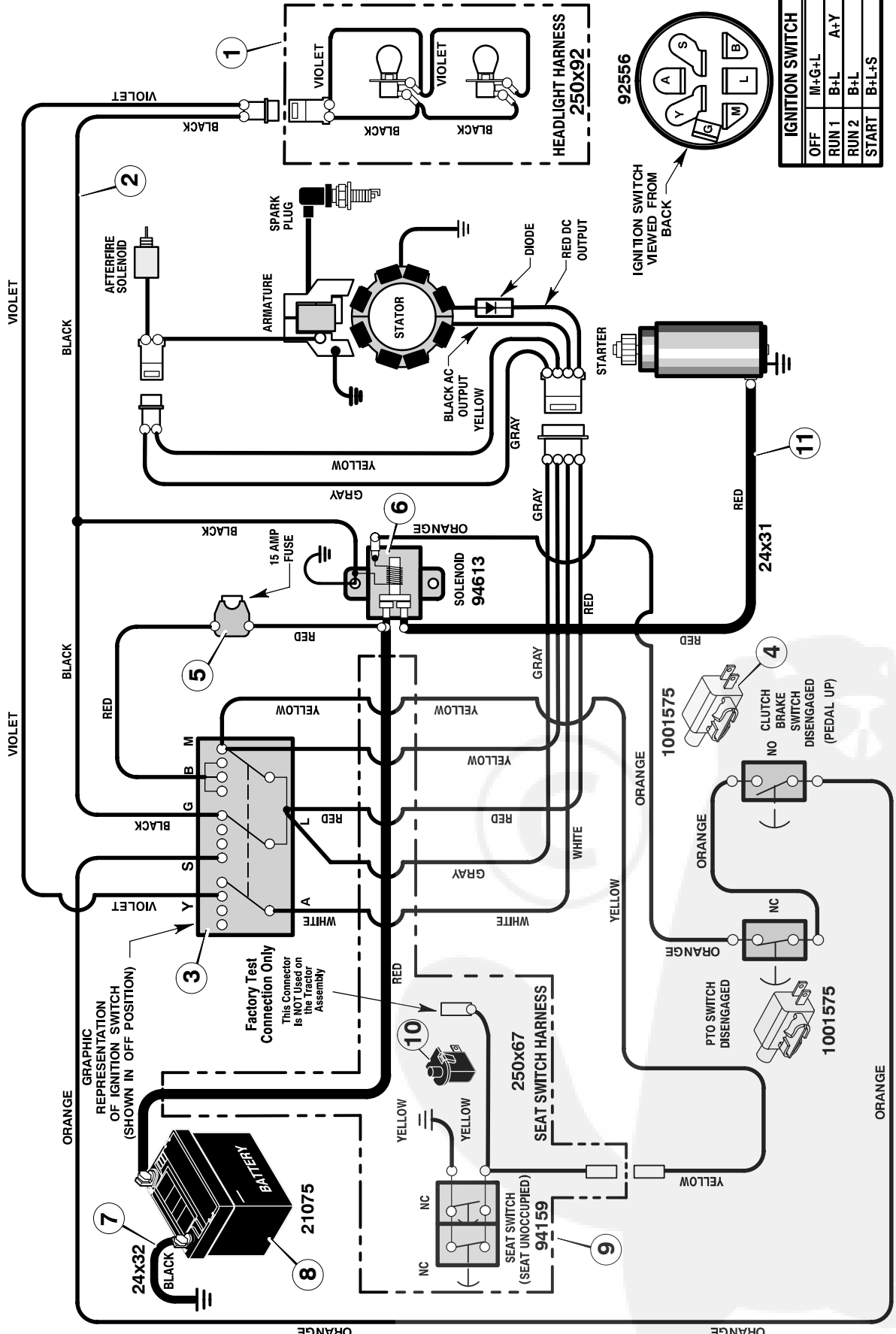
Key No.	Part No.	Description
1	092317	Fuel Cap **
2	690280	Fuel Tank
3	095197	Hose Clamp **
4	7601033	Fuel Line (Must be cut to length) **
5	095197	Hose Clamp **
6	26x201	Screw
7	094006E700	Plate, Engine
8	092371	Throttle Control
9	— † —	Engine, Briggs & Stratton –INTEK
10	0025x7	Bolt, Engine Mount
11	690439 Z	Stack Pulley Assembly
12	019x35	Lockwasher
13	01x140	Bolt, Hex
14	17x170	Washer
15	26x249	Screw
16	26x229	Screw
17	690538E701	Bracket, Muffler
18	26x277	Screw
19	690537	Bracket, Muffler Mount
20	26x263	Screw
21	094384	Guide, Belt
22	015x79 Z	Nut, Flange
23	094066	Guide, Belt
24	1001620–717	Guard, Heat Shield
25	1001496	Exhaust Tube, Single
26	26x253	Screw
30	1001659–717	Shield, Heat
31	094654	Muffler
32	091309	Gasket
33	06x103	Screw
35	325547	Valve, Oil Drain
36	327422	Cap, Oil Drain
37	1001660	Plenum
38	015x66	Nut, Keps 1/4–20

** These parts are included with Key No. 2

† For information on Replacement Parts for this engine contact the manufacturer.

MODEL 425615x50B

REPAIR PARTS ELECTRICAL SYSTEM



Key No.	Part No.	Description
1	250x92	Harness, Light Wire
	1001716	Socket, Light
	090084	Bulb, Light
2	250x112	Harness, Chassis Wire
3	092556	Switch, Ignition
	1001304	Key, Ignition
	091489	Nut, Hex
	091488	Cap, Ignition
4	1001575	Switch, Limit
5	302031	Fuse
	407078	Holder, Fuse
6	094613	Solenoid
	26x229	Screw, Mounting
	15x116	Locknut
7	024x32	Cable, Battery Ground
	26x229	Screw, Ground Cable
8	021075	Battery
	002x82	Bolt, Carriage
	014x79	Wingnut
	690604	Boot, Battery –Positive
9	250x67	Harness, Seat Switch Wire
10	094159	Switch, Seat Sensor
11	024x31	Cable