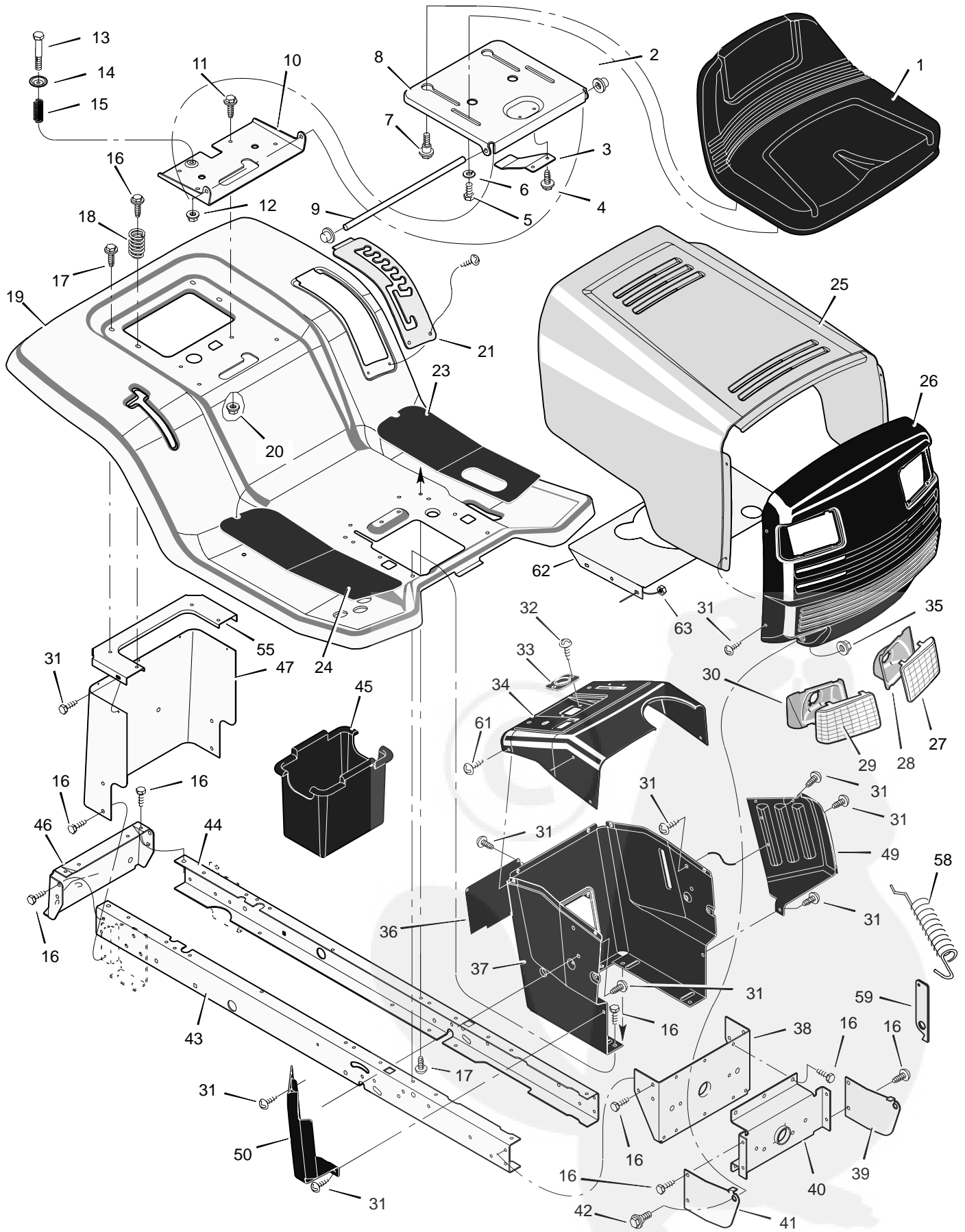


MODEL 42591x88B VRO4216HX

REPAIR PARTS CHASSIS & HOOD



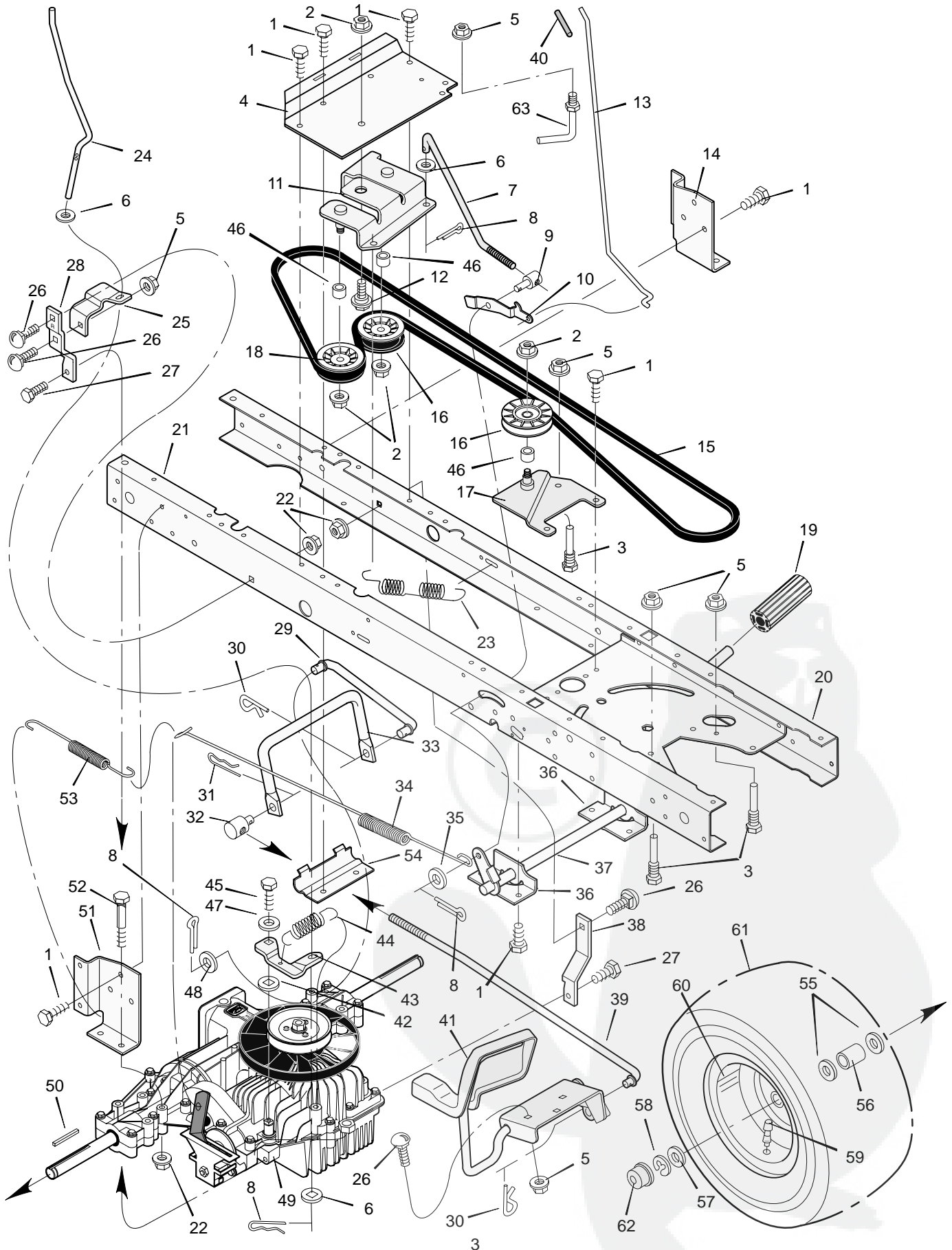
MODEL 42591x88B VRO4216HX

REPAIR PARTS CHASSIS & HOOD

| Key No. | Description | Part No. | Key No. | Description | Part No. |
|---------|----------------|-----------|---------|-----------------------|-------------|
| 1 | Seat | 94163 | 32 | Screw | 26x238 |
| 2 | Cap, Push On | 28x23 | 33 | Bearing, Steering | 94075 |
| 3 | Spring | 94057 | 34 | Dash | 94590E700 |
| 4 | Screw | 26x229 | 35 | Nut | 15x84 |
| 5 | Bolt, Wing | 94160 | 36 | Panel, Access | 93007E700 |
| 6 | Washer | 17x47 Z | 37 | Support, Dash | 95318E700 |
| 7 | Bolt, Shoulder | 9x56 | 38 | Bracket, Rear Hanger | 94013E700 |
| 8 | Support, Seat | 94154E700 | 39 | Support, Left Grille | 94085E700 |
| 9 | Rod, Pivot | 94156 Z | 40 | Axle, Hanger | 94007E700 |
| 10 | Bracket, Pivot | 94153E700 | 41 | Support, Right Grille | 94084E700 |
| 11 | Bolt | 1x45 | 42 | Bolt, Shoulder | 9x58 |
| 12 | Nut | 15x89 | 43 | Frame, Right | 690206E700 |
| 13 | Bolt, Shoulder | 9x55 | 44 | Frame, Left | 690207E700 |
| 14 | Washer | 94155 Z | 45 | Container, Battery | 690424 |
| 15 | Spring | 164x31 | 46 | Plate, Hitch | 1001002E700 |
| 16 | Screw | 26x249 | 47 | Panel, Rear | 94187E700 |
| 17 | Screw | 26x263 | 49 | Panel, Left Side | 95218E700 |
| 18 | Spring | 164x30 | 50 | Panel, Right Side | 95217E700 |
| 19 | Deck, Seat | 94150E549 | 55 | Plate, Rear | 690218E700 |
| 20 | Nut | 15x88 | 58 | Extension, Spring | 165x124 |
| 21 | Plate, Index | 94886E700 | 59 | Bracket | 94830 Z |
| 23 | Mat, Left | 94109 | 61 | Screw | 26x201 |
| 24 | Mat, Right | 94108 | 62 | Plenum | 94113E700 |
| 25 | Hood | 94090E549 | 63 | Locknut | 15x116 |
| 26 | Grille | 94087E700 | — | Decal, Right Hood | 48x249 |
| 27 | Lens, Left | 94093 | — | Decal, Left Hood | 48x400 |
| 28 | Bezel, Left | 94089 Z | — | Decal, Victa | 48x018 |
| 29 | Lens, Right | 94092 | — | Decal, Dash | 44x6973 |
| 30 | Bezel, Right | 94088 Z | — | Decal, Warning | 44x6828 |
| 31 | Screw | 26x270 | — | Book, Instruction | F-99850 |

MODEL 42591x88B VRO4216HX

REPAIR PARTS MOTION DRIVE



MODEL 42591x88B VRO4216HX

REPAIR PARTS MOTION DRIVE

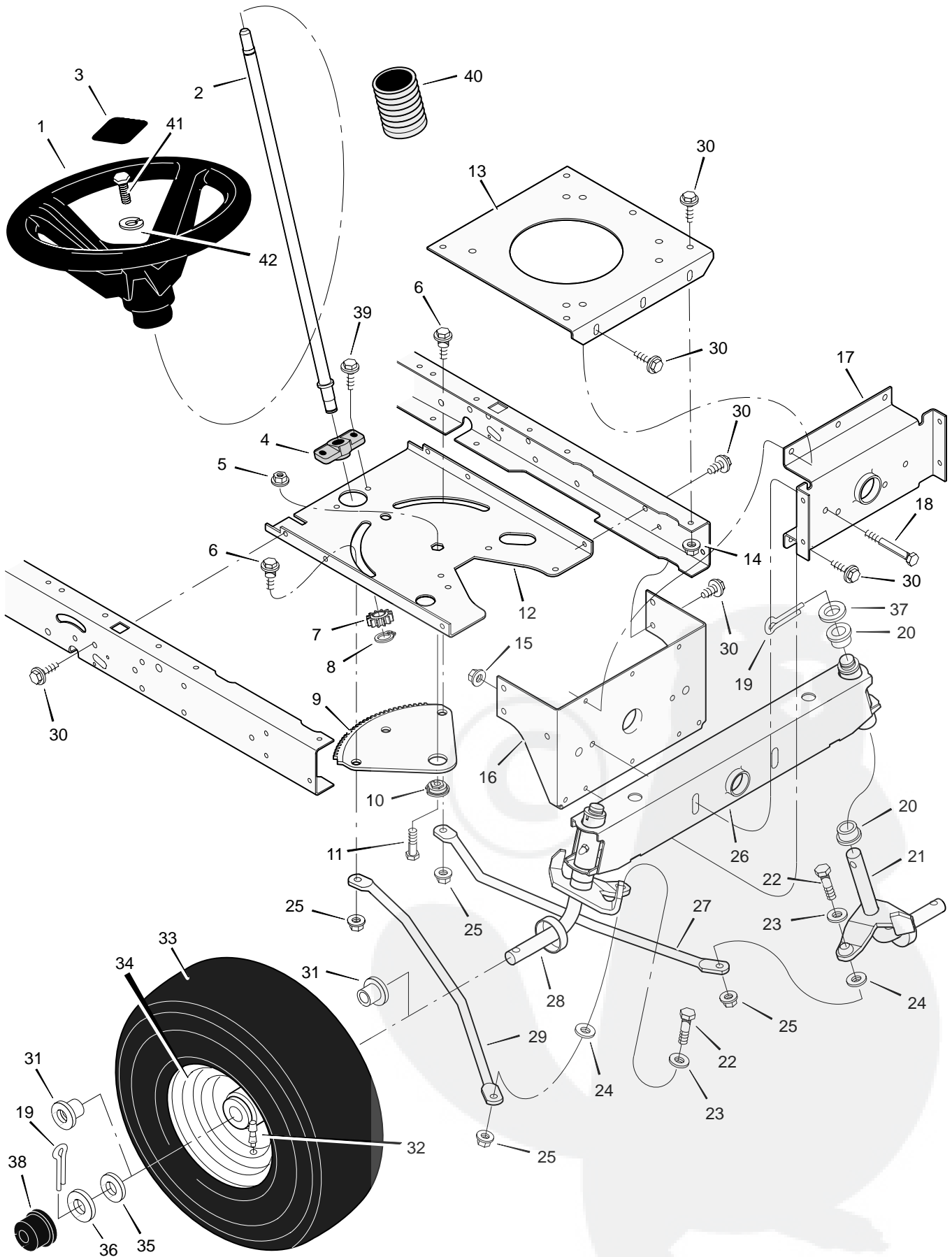
| Key No. | Description | Part No. | Key No. | Description | Part No. |
|---------|--------------------------|------------|---------|--------------------------|------------|
| 1 | Screw | 26x249 | 33 | Rod, Yoke | 94425E700 |
| 2 | Nut, Flange | 15x98 | 34 | Spring, Extension | 165x115 |
| 3 | Guide, Belt | 93349 | 35 | Washer | 17x169 |
| 4 | Bracket, Idler | 94431E700 | 36 | Bracket, Pivot | 94035E700 |
| 5 | Locknut | 15x79 | 37 | Lever, Clutch/Brake | 94038E700 |
| 6 | Washer | 17x47 Z | 38 | Strap, Left Torque | 94433E700 |
| 7 | Rod, Clutch | 94417 Z | 39 | Rod, Front Control | 690014 |
| 8 | Pin, Cotter | 30x20 | 40 | Grip | 91079 |
| 9 | Adjuster | 94815 | 41 | Pedal, Speed Control | 690013E700 |
| 10 | Latch, Parking Brake | 94045 Z | 42 | Washer | 17x148 |
| 11 | Bracket Assembly, Idler | 690517 Z | 43 | Arm, Disconnect | 94430 Z |
| 12 | Bolt, Shoulder | 9x39 | 44 | Spring | 165x112 |
| 13 | Rod, Parking Brake | 94152 Z | 45 | Bolt | 6x105 |
| 14 | Bracket, Left Transaxle | 94185E700 | 46 | Spacer | 690369 |
| 15 | Belt | 37x61 | 47 | Washer | 17x38 |
| 16 | Pulley, Idler | 690409 | 48 | Washer | 17x169 |
| 17 | Arm Assembly, Idler | 94409 Z | 49 | Transaxle * * | * * |
| 18 | Pulley, Idler | 690410 | 50 | Key, Square | 21553 |
| 19 | Pedal | 21544 | 51 | Bracket, Right Transaxle | 94184E700 |
| 20 | Frame, Left | 690207E700 | 52 | Bolt | 1x155 |
| 21 | Frame, Right | 690206E700 | 53 | Spring, Extension | 165x92 |
| 22 | Nut, Flange | 15x88 | 54 | Clamp, Transaxle | 94434E700 |
| 23 | Spring, Extension Clutch | 165x142 | 55 | Washer | 17x160 |
| 24 | Rod, Disconnect | 94428 Z | 56 | Spacer | 690554 Z |
| 25 | Bracket, Disconnect | 94429E700 | 57 | Washer | 17x195 |
| 26 | Bolt, Carriage | 2x53 | 58 | E-Ring | 11x3 |
| 27 | Screw | 26x216 | 59 | Valve Stem | 24373 |
| 28 | Strap, Right Torque | 94432E700 | 60 | Wheel & Tire Assembly | 92511-601 |
| 29 | Rod, Link | 94426 Z | 61 | Tire * | 407926 |
| 30 | Pin, Hair | 31x4 | — | Tube | 407049 |
| 31 | Pin, Hair | 31x6 | 62 | Cap, Hub | 94618 |
| 32 | Nut, Adjuster | 92132 | 63 | Guide, Belt | 94781 |

* When you order a tire, make sure to give the brand name of the tire so that the tread pattern on the tire will match.

** For information on Replacement Parts see the Central Parts Distributor in your area.

MODEL 42591x88B VRO4216HX

REPAIR PARTS STEERING



MODEL 42591x88B VRO4216HX

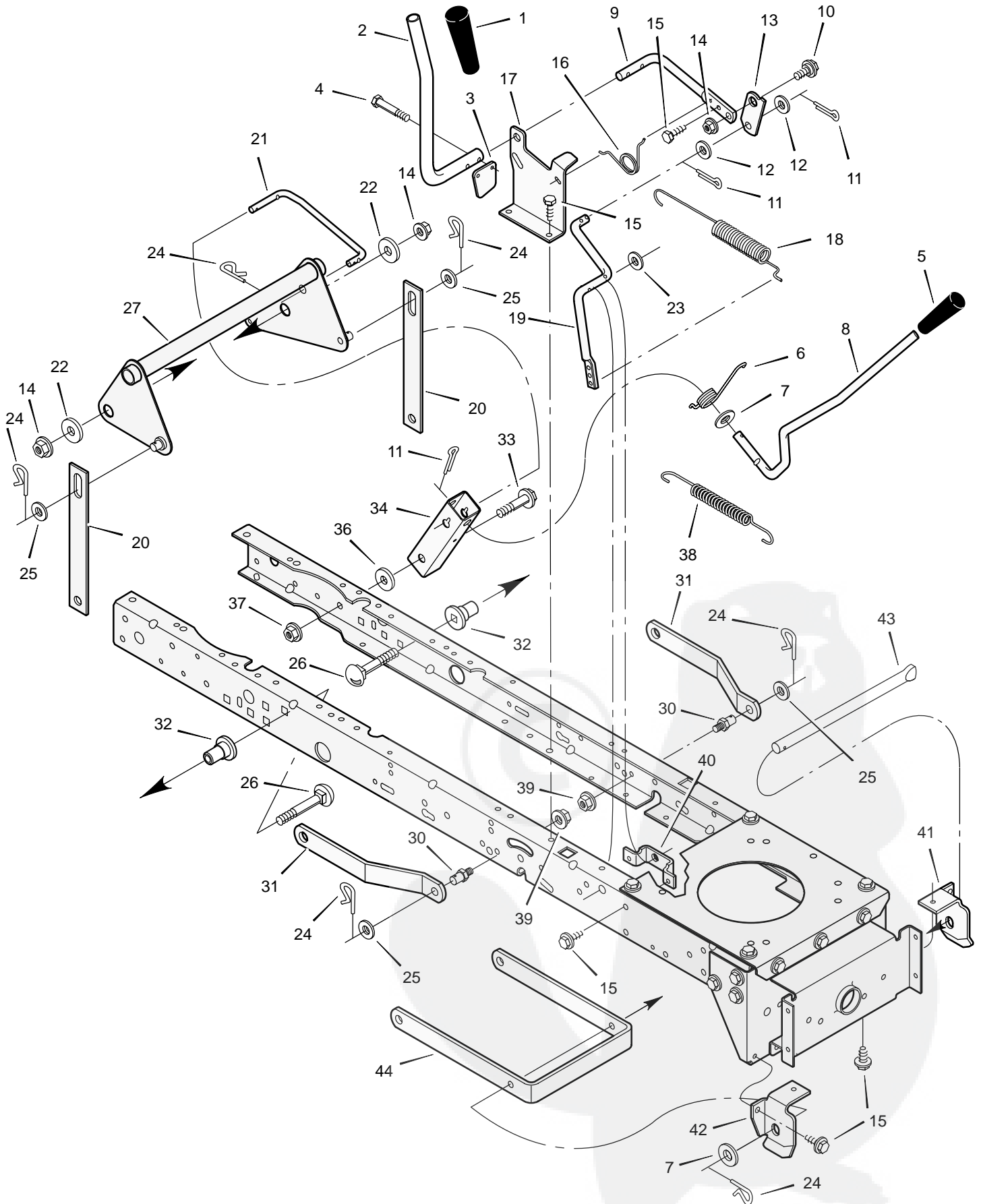
REPAIR PARTS STEERING

| Key No. | Description | Part No. | Key No. | Description | Part No. |
|---------|------------------------|------------|---------|-------------------------|------------|
| 1 | Wheel, Steering | 95336 | 23 | Washer | 17x104 |
| 2 | Post, Steering | 690625 | 24 | Washer | 17x53 Z |
| 3 | Insert, Steering Wheel | 95338 | 25 | Nut, Flange | 15x84 |
| 4 | Bearing | 94124 | 26 | Axle Assembly | 690210E700 |
| 5 | Nut, Flange | 15x79 | 27 | Drag Link, Left | 95329E700 |
| 6 | Bolt, Shoulder | 9x57 | 28 | Spindle Assembly, Right | 94575E700 |
| 7 | Gear, Pinion | 690183E700 | 29 | Drag Link, Right | 95328E700 |
| 8 | Ring, Snap | 11x25 | 30 | Screw | 26x249 |
| 9 | Gear, Sector | 94121E700 | 31 | Bearing, Wheel | 91334 |
| 10 | Bearing | 94123 | 32 | Stem, Valve | 24373 |
| 11 | Bolt | 1x84 | 33 | Tire * | 24380 |
| 12 | Plate, Steering | 690551E700 | — | Tube | 407924 |
| 13 | Plate, Engine | 94006E700 | 34 | Wheel and Tire Assembly | 94581-601 |
| 14 | Nut, Flange | 15x88 | 35 | Washer | 17x195 |
| 15 | Nut, Flange | 15x118 | 36 | Washer | 17x192 |
| 16 | Bracket, Hanger | 94013E700 | 37 | Washer | 17x113 |
| 17 | Axle, Hanger | 94007E700 | 38 | Hub Cap | 94618 |
| 18 | Bolt | 1x146 | 39 | Screw | 26x267 |
| 19 | Pin, Cotter | 30x49 | 40 | Bellows | 92059 |
| 20 | Bearing | 690150 | 41 | Bolt | 1x158 |
| 21 | Spindle Assembly, Left | 94576E700 | 42 | Lockwasher | 17x146 |
| 22 | Bolt | 1x111 | | | |

* When you order a tire, make sure to give the brand name of the tire so that the tread pattern on the tire will match.

MODEL 42591x88B VRO4216HX

REPAIR PARTS MOWER HOUSING SUSPENSION

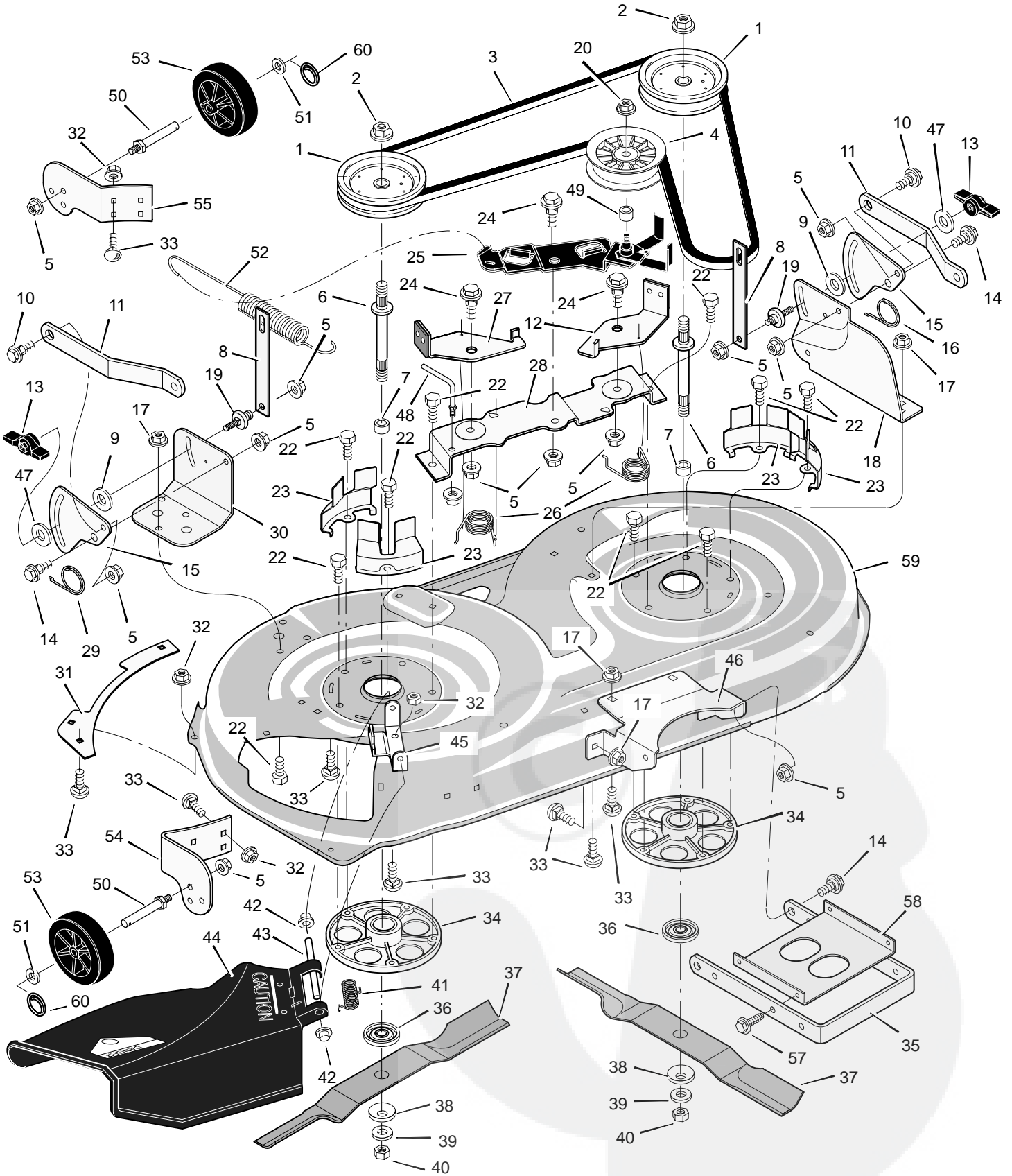


MODEL 42591x88B VRO4216HX**REPAIR PARTS
MOWER HOUSING SUSPENSION**

| Key No. | Description | Part No. | Key No. | Description | Part No. |
|----------------|--------------------|-----------------|----------------|--------------------------|-----------------|
| 1 | Grip | 92698 | 22 | Washer | 17x168 |
| 2 | Handle, PTO | 94100 Z | 23 | Washer | 17x57 |
| 3 | Pad, Switch | 94022 Z | 24 | Pin, Hair | 31x4 |
| 4 | Bolt | 25x3 | 25 | Washer | 17x91 Z |
| 5 | Grip | 92697 | 26 | Bolt, Carriage | 2x85 |
| 6 | Spring | 166x40 | 27 | Lever Assembly, Lift | 690363E700 |
| 7 | Washer | 17x103 | 30 | Pin | 94067 |
| 8 | Handle, Lift | 690533 | 31 | Bracket, Rear Suspension | 94055E700 |
| 9 | Lever, PTO | 94017 Z | 32 | Spacer, Lifter | 690151 |
| 10 | Bolt, Shoulder | 9x39 | 33 | Bolt, Shoulder | 9x53 |
| 11 | Pin, Cotter | 30x20 | 34 | Bracket, Pivot | 94015E700 |
| 12 | Washer | 17x91 Z | 36 | Washer | 17x191 |
| 13 | Link, PTO | 94004 Z | 37 | Nut, Flange | 15x84 |
| 14 | Nut, Flange | 15x84 | 38 | Spring | 165x131 |
| 15 | Screw | 26x249 | 39 | Nut, Flange | 15x68 |
| 16 | Spring | 166x39 | 40 | Bracket, PTO | 94005E700 |
| 17 | Bracket, PTO | 94018E700 | 41 | Hanger, Left Deck | 94027E700 |
| 18 | Spring | 165x119 | 42 | Hanger, Right Deck | 94026E700 |
| 19 | Crank, PTO | 690394E700 | 43 | Rod, Hanger | 94158Z |
| 20 | Link, Lift | 690212E700 | 44 | Bracket, Suspension | 94058E700 |
| 21 | Link, Lift Handle | 690122E700 | | | |

MODEL 42591x88B VRO4216HX

REPAIR PARTS MOWER HOUSING



MODEL 42591x88B VRO4216HX

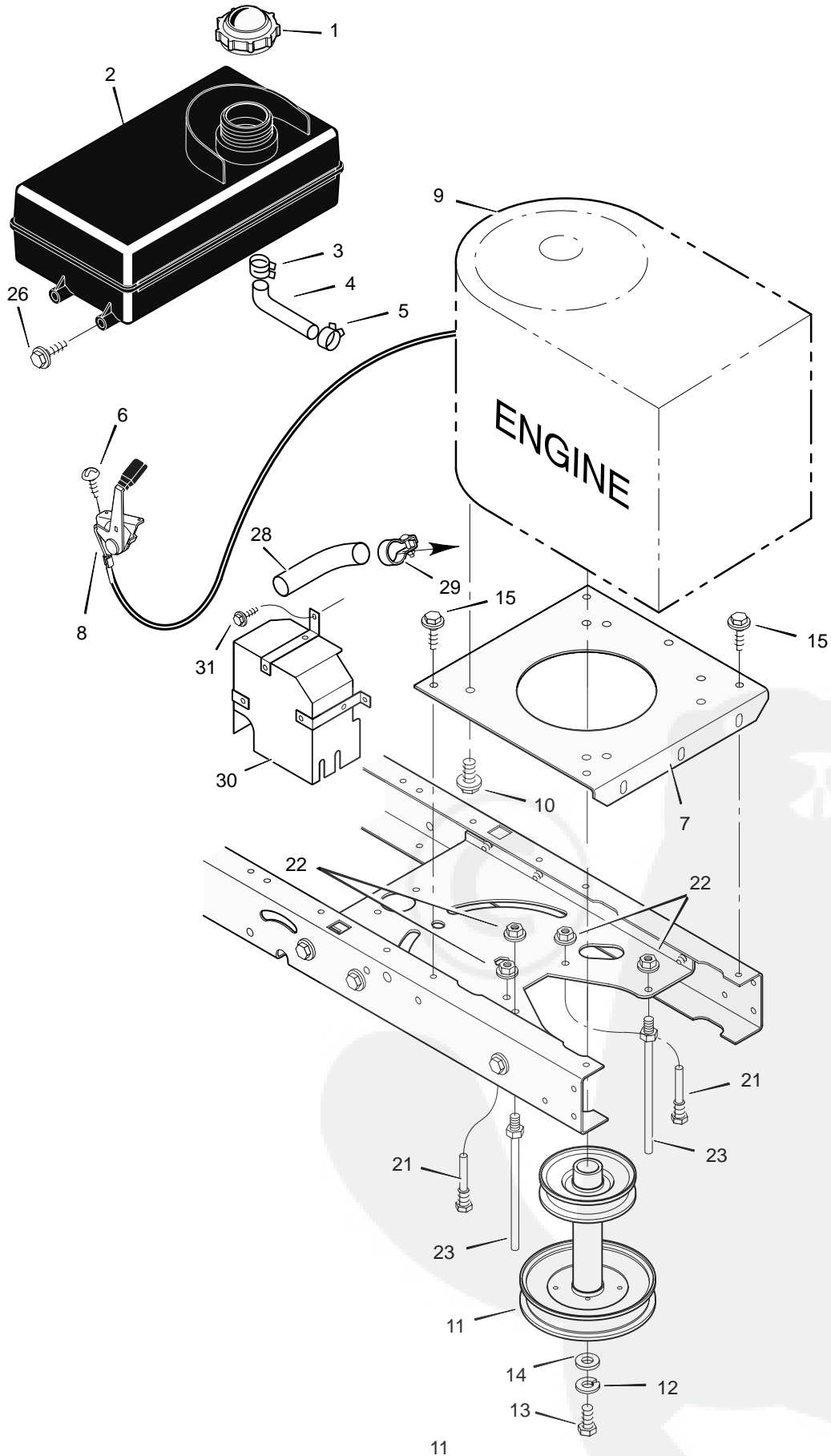
REPAIR PARTS MOWER HOUSING

| Key No. | Description | Part No. | Key No. | Description | Part No. |
|---------|---------------------------|------------|---------|---------------------------------|------------|
| 1 | Pulley, Jackshaft | 94199 | 32 | Nut, Flange | 15x88 |
| 2 | Nut, Hex | 15x121 | 33 | Bolt, Carriage | 2x53 |
| 3 | Belt, Mower Drive | 37x88 | 34 | Mandrell Housing | 92574 |
| 4 | Pulley, Idler | 690387 | 35 | Bracket, Suspension | 94058E700 |
| 5 | Nut, Flange | 15x84 | 36 | Adapter, Blade | 92466 |
| 6 | Jackshaft | 94129 | 37 | Blade | 690205E701 |
| 7 | Spacer | 94130 | 38 | Washer | 17x166 |
| 8 | Link, Lift | 690212E700 | 39 | Washer | 17x165 |
| 9 | Pad, Friction | 94137 | 40 | Nut | 15x100 |
| 10 | Bolt, Shoulder | 9x52 | 41 | Spring | 166x4 |
| 11 | Bracket, Suspension | 94055E700 | 42 | Cap, Push On | 28x23 |
| 12 | Pad Assembly, Left Brake | 94049E700 | 43 | Rod, Deflector | 94957 Z |
| 13 | Knob | 94068 | 44 | Deflector Assembly | 94707 SE |
| 14 | Bolt, Shoulder | 9x51 | 45 | Bracket, Deflector Hinge | 94956E700 |
| 15 | Plate, Suspension | 94128E700 | 46 | Bracket, Front Hanger | 94190E700 |
| 16 | Spring | 166x43 | 47 | Washer | 17x45 Z |
| 17 | Nut, Flange | 15x79 | 48 | Guide, Belt | 94781 |
| 18 | Bracket, Suspension | 94192E700 | 49 | Spacer | 690369 |
| 19 | Pin, Hanger | 95194 | 50 | Bolt, Axle | 94025 |
| 20 | Nut, Flange | 15x98 | 51 | Washer | 17x91 Z |
| 22 | Bolt | 25x7 | 52 | Spring, Extension | 165x119 |
| 23 | Cover, Pulley | 94051E700 | 53 | Wheel, Gage | 92683 |
| 24 | Bolt, Shoulder | 9x39 | 54 | Bracket, Right Wheel | 92422E700 |
| 25 | Arm, Idler | 690408E700 | 55 | Bracket, Left Wheel | 92423E700 |
| 26 | Spring | 166x41 | 57 | Screw | 26x249 |
| 27 | Pad Assembly, Right Brake | 94047E700 | 58 | Stiffener | 94604E700 |
| 28 | Bracket, Brake | 94193E700 | 59 | Housing, Blade * | 94814E700 |
| 29 | Spring | 166x42 | 60 | Ring, Locking | 31x11 |
| 30 | Bracket, Suspension | 94191E700 | 1-60 | Complete Mower Housing Assembly | 776007 |
| 31 | Plate | 92426E700 | | | |

* Includes Key No. 17, 18, 30, 31, 32, 33, 45, 46, 53, 54, 55, and 56.

MODEL 42591x88B VRO4216HX

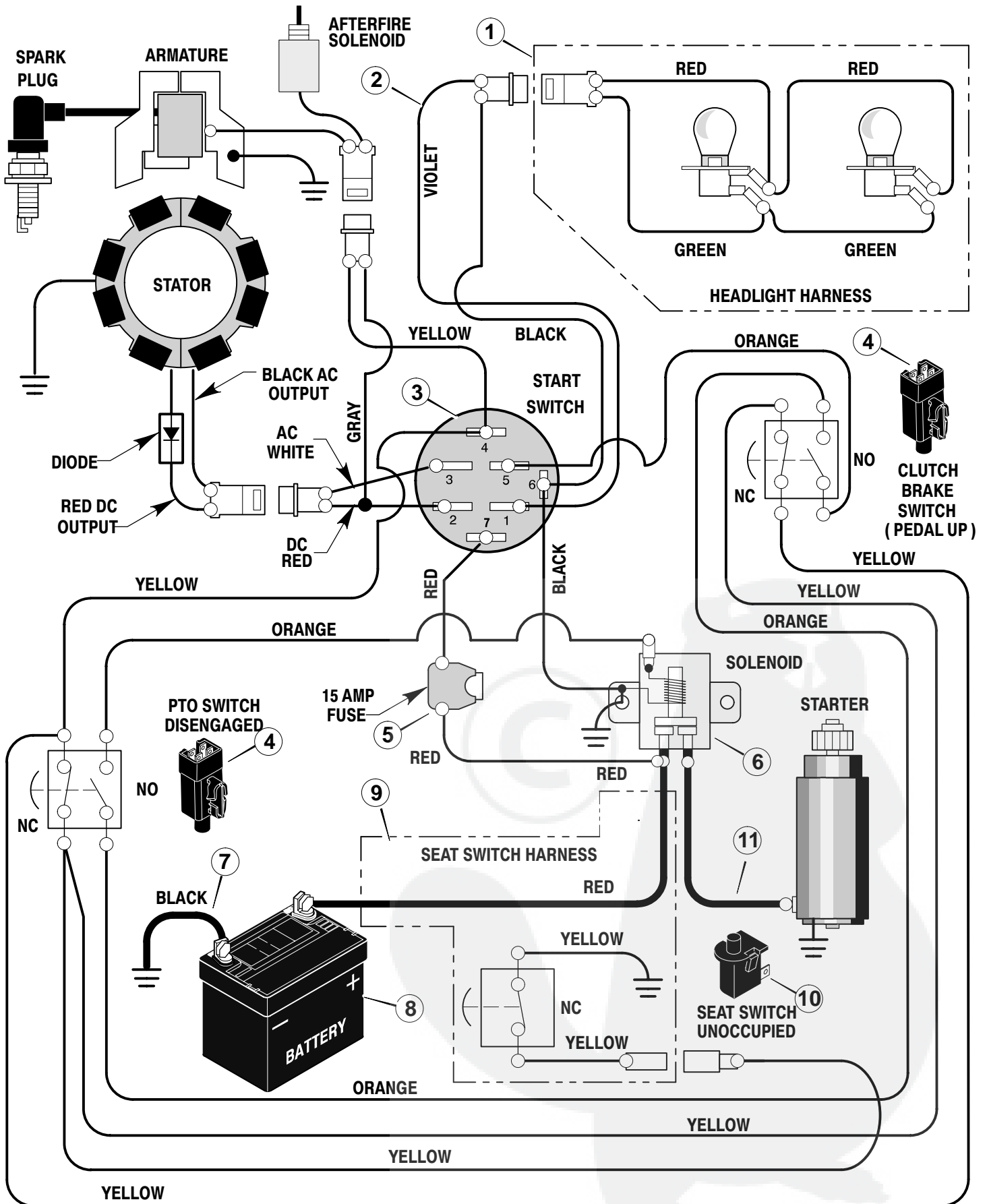
REPAIR PARTS ENGINE MOUNT



| Key No. | Description | Part No. |
|----------------|-----------------------|-----------------|
| 1 | Fuel Cap | 92317 |
| 2 | Fuel Tank | 94073 |
| 3 | Hose Clamp | 95197 |
| 4 | Fuel Line | 23717 |
| 5 | Hose Clamp | 95197 |
| 6 | Screw | 26x201 |
| 7 | Plate, Engine | 94006E700 |
| 8 | Throttle Control | 91989 |
| 9 | Engine | — |
| — | Muffler | 95206 |
| — | Gasket, Muffler | 91309 |
| — | Adapter, Muffler | 95207 |
| — | Screw, Adapter | 6x103 |
| — | Bolt, Muffler | 9x59 |
| — | Lock, Screw | 92378 |
| 10 | Bolt, Engine Mount | 25x7 |
| 11 | Stack Pulley Assembly | 690440 Z |
| 12 | Lockwasher | 19x35 |
| 13 | Bolt, Hex | 1x140 |
| 14 | Washer | 17x170 |
| 15 | Screw | 26x249 |
| 21 | Guide, Belt | 93349 |
| 22 | Nut, Flange | 15x79Z |
| 23 | Guide, Belt | 94781 |
| 26 | Screw | 26x253 |
| 28 | Pipe, Exhaust | 92855 |
| 29 | Clamp | 92558 |
| 30 | Shield, Heat | 94324 |
| 31 | Screw | 26x263 |

MODEL 42591x88B VRO4216HX

REPAIR PARTS ELECTRICAL SYSTEM



| Key No. | Description | Part No. |
|----------------|---------------------------|-----------------|
| 1 | Harness, Light Wire | 250x92 |
| | Socket, Light | 92372 |
| | Bulb, Light | 90084 |
| 2 | Harness, Chassis Wire | 250x87 |
| 3 | Switch, Ignition | 92556 |
| | Key, Ignition | 20729 |
| | Nut, Hex | 91489 |
| | Cap, Ignition | 91488 |
| 4 | Switch, Limit | 94136 |
| 5 | Fuse | 54212 |
| | Holder, Fuse | 407078 |
| 6 | Solenoid | 94613 |
| | Screw, Mounting | 26x229 |
| | Locknut | 15x116 |
| 7 | Cable, Battery Ground | 24x32 |
| | Screw, Ground Cable | 26x213 |
| 8 | Battery | 21075 |
| | Bolt, Carriage | 2x82 |
| | Wingnut | 14x79 |
| | Boot | 54148 |
| 9 | Harness, Seat Switch Wire | 250x67 |
| 10 | Switch, Seat Sensor | 94159 |
| 11 | Cable | 24x31 |