

REPAIR PARTS MANUAL

18 H.P. LIGHT GROUND ENGAGING TRACTOR

MODEL 4518-1200

ONE YEAR LIMITED WARRANTY

For one (1) year from date of purchase by the first consumer for residential use (thirty (30) days commercial use), NOMA Outdoor Products Incorporated warrants that it will replace free of charge, including labor, any original part of any NOMA Outdoor Products Incorporated product found to be defective by any authorized Service Dealer or the factory, except the battery which is warranted for ninety (90) days from date of purchase.

This warranty does not cover engine, transmission, transaxle or differential (these items are covered by their manufacturer's own warranty). This warranty does not cover parts that have failed due to normal wear or parts that have failed subject to misuse or abuse. Transportation of the unit or part to and from an authorized Service Dealer or factory is the responsibility of the owner.

A step by step explanation as to what procedure should be followed for this Warranty is:

1. If a part becomes defective, contact the store where the unit was purchased for the name and address of the authorized Service Dealer nearest to you.
2. If you cannot locate an authorized Service Dealer, write Service Department of NOMA Outdoor Products Incorporated for the name and address of the authorized Service Dealer in your area or call the Service Department at 1-901-422-1690.
3. Return the defective product, along with proof of purchase to such authorized Service Dealer for replacement of any defective part where covered by this warranty.

There is no other express warranty. Implied warranties, including those of merchantability and fitness for a particular purpose are limited to one (1) year from date of purchase. Liability for incidental or consequential damages are excluded.

Some states do not allow limitations on how long an implied warranty lasts, so the above limitation may not apply to you. Some states do not allow the exclusion of incidental or consequential damages, so the above exclusion may not apply to you. This warranty gives you specific legal rights, and you may have other rights which vary from state to state.

NOMA Outdoor Products Incorporated

Call 8000

Jackson, TN 38308-8000

UNIT PARTS AND SERVICE

This manual contains instructions for safety, assembly and maintenance. Read this manual carefully and completely so that you will know proper assembly, use and care of your unit. Also fill in and mail the registration card packed with the unit. For service other than covered in this manual, contact an authorized service dealer. A nationwide parts and service organization has been established to provide locally available parts and service. A list of authorized parts distributors has been included in this manual. When ordering repair parts, always give the following information: 1. The Part Name; 2. The Part Number; 3. The Quantity desired; 4. The Full (eight digit) Model Number of the unit. The model number will be found on a plate attached to the unit.



Look for this symbol. It means - ATTENTION! BECOME ALERT! A HAZARD TO OPERATOR, BYSTANDER, PROPERTY OR EQUIPMENT MAY EXIST.

NOMA Outdoor Products Incorporated

Call 8000

Jackson, TN 38308-8000

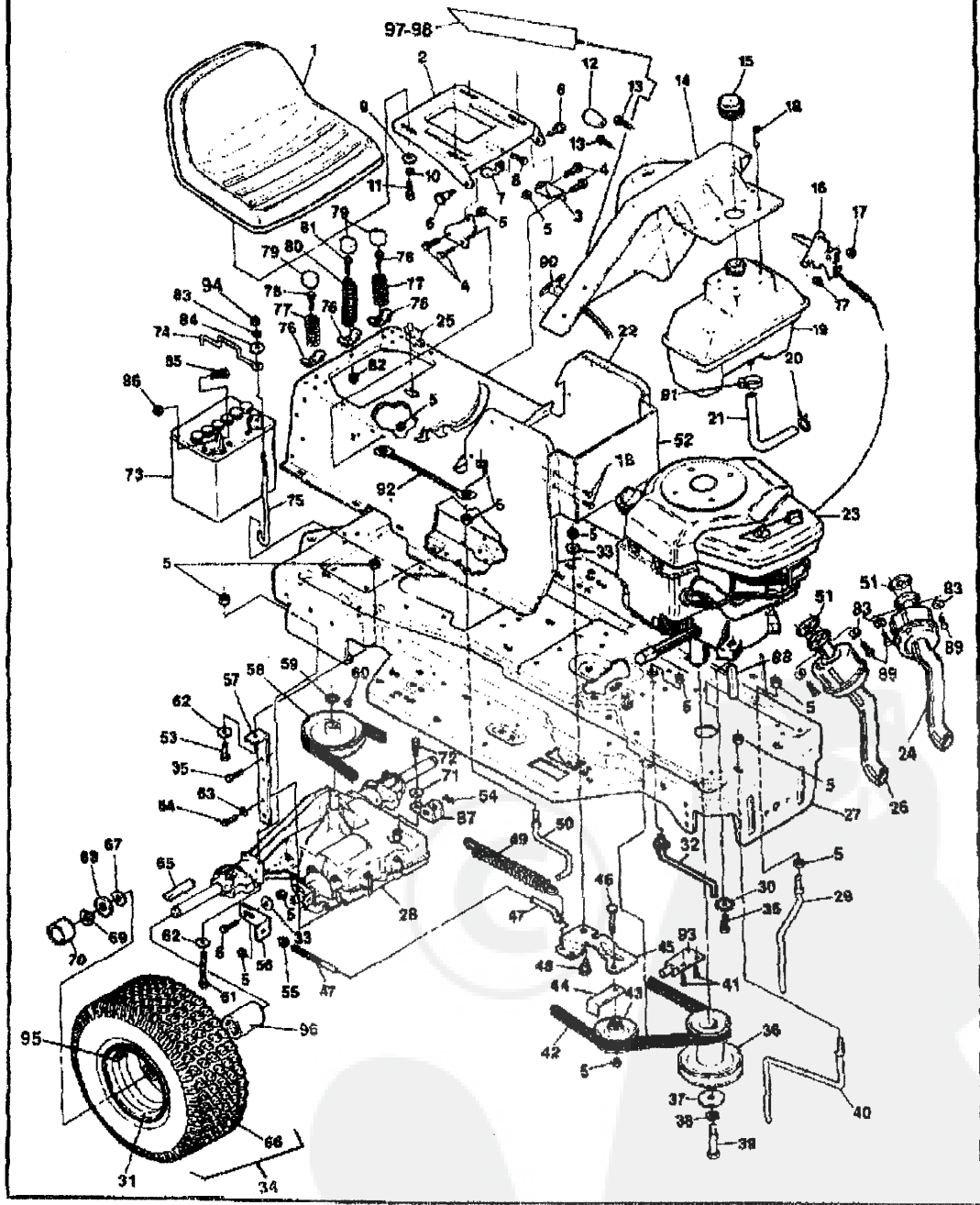
Part No. 304224

1889

GARDEN TRACTOR REPAIR PARTS

LIGHT GROUND ENGAGING TRACTOR MODEL 451B-1200

NOTE: ALWAYS USE ORIGINAL EQUIPMENT PARTS. Use of service/replacement parts other than original equipment parts may void your warranty.



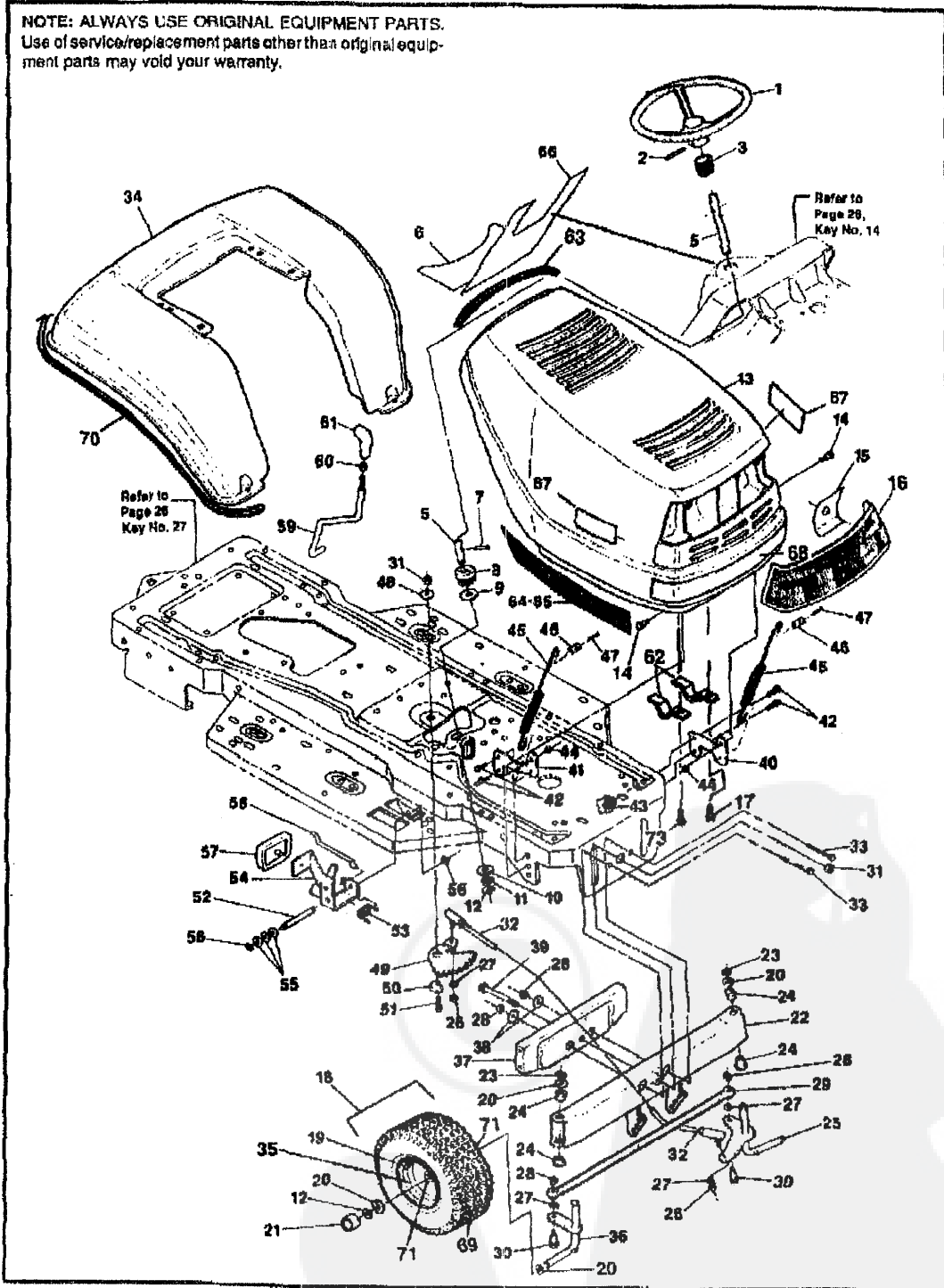
LIGHT GROUND ENGAGING TRACTOR MODEL 4518-1200

Key No.	Part No.	Description	Key No.	Part No.	Description
1	303024	Seat	50	52501	Belt Guide (transaxle)
2	58221	Seat Plate	51	56640	Muffler, Gasket
3	308289	Seat Support Bracket	52	304989	Heat Shield
4	120228	* Screw, Hex Hd, 5/16-18 x 5/8 In.	53	122017	* Screw, Hex Hd., 5/16-18 x 1 In.
5	1498	* Locknut, Hex, 5/16-18 Thd.	54	137185	* Cotter Pin, 1/8 x 1 In.
6	20507	Shoulder Bolt	55	271184	* Nut, Hex Keys, 5/16-18 Thd.
7	9295	Switch Bracket	56	57217	Brake Rod Bracket
8	304281	* Screw, Hex Hd, 1/4-20 x 1/2 In.	57	57563	Stabilizer Bracket
9	120393	Washer, Flat 11/32 x 11/16 In.	58	304078	Pulley
10	120638	Washer, Lock, 5/16 In.	59	22059	Retaining Ring
11	122007	* Screw, Hex Hd, 5/16-18 x 3/4 In.	60	3021	Woodruff Key
12	50607	Knob, Round Black	61	180089	* Screw, Hex Hd., 5/16-18 x 3/4 In.
13	35281	* Screw, No. 10-24 x 1/2 In.	62	120393	* Washer, Flat, 11/32 In.
14	30418	Dashboard	63	120638	* Lockwasher, Split, 5/16 In.
15	46704	Gas Cap	64	35488	* Screw, Hex Hd Tap, 5/16-18 x 3/4 In.
16	300456	Throttle Control	65	39628	Key, Square, 3/16 x 3/16 x 2-1/2 In.
17	271188	Nut, Keys No. 10-24	66	58276	Tire, Rear
18	48050	* Screw, Hex Hd Tap, 1/4-10 x 3/4 In.	67	642	Washer, 3/4 In.
19	302580	Fuel Tank	68	42815	Washer, 3/4 In.
20	41008	Clamp, Corbin	69	36625	E-Ring
21	47452	Gas Line	70	40394	Hub Cap
22	304767	Console	71	67157	Washer, Special, 3/4 In.
23		Engine (See breakdown)	72	56255	Screw, Hex Hd Nylon, 1/4-28 x 3/4 In.
24	58145	Muffler	73	52778	12V Battery
25	58277	Switch, Seat	74	57552	Battery Hold-Down Bracket
26	58144	Muffler	75	57551	Battery Hold-Down Rod
27	302543	Frame	76	7686	Spring Clamp
28		Transaxle (See breakdown)	77	49335	Seat Spring
29	300440	Belt Guide (lower)	78	44811	* Screw, Hex Hd, Tap, 1/4-20 x 3/4 In.
30	138489	Lockwasher, External Tooth, 3/8 In.	79	300815	Seat Spring Cover
31	301366	Rim, Wheel	80	58968	Compression Spring
32	58358	Belt Guide (upper engine pulley)	81	44811	* Screw, Hex Hd, 1/4-20 x 3/4 In.
33	45602	* Washer, Flat, 21/64 In.	82	1502	Locknut, Hex, 1/4-20 Thd.
34	301318	Wheel and Tire Assy. (Incl. 31, 95, 86)	83	120380	* Lockwasher, Split, 1/4 In.
35	50947	* Screw, Hex Hd Tap, 3/8-16 x 1-1/4 In.	84	120292	* Washer, Flat, 1/4 In.
36	301786	Pulley, Assembly, Engine	85	187745	* Screw, Hex Hd., 1/4-20 x 3/4 In.
37	56431	Pilot Washer	86	271172	* Nut, Hex Keys, 1/4-20 Thd.
38	120383	* Lockwasher, Split, 7/8 In.	87	57480	Shift Bracket
39	123567	* Screw, Hex Hd., 7/16-20 x 5 In.	88	57555	Key, Square, 1/4 x 1/4 x 6 In.
40	300634	Belt Guide (Lower engine pulley)	89	180020	Screw, Hex Hd, 1/4-20 x 3/4 In.
41	57220	Screw, Pan Hd Tap, No. 12 x 1/2 In.	90	300432	Choke Assembly
42	57558	V-Belt	91	47345	Clamp, Hose
43	35374	Idler Pulley	92	55511	Wire, Ground
44	39659	Retainer, Belt	93	57211	Safety Switch, Clutch/Brake
45	300154	Idler Arm	94	120375	Nut, Hex, 1/4 - 20 Thd.
46	45892	Carriage Bolt, 3/8-16 x 1-1/2 In.	95	24167	Valve Stem
47	57203	Brake Rod	98	57744	Spacer, 3/4 x 1-1/4 In.
48	300783	Shoulder Bolt, 5/16-18 Thd.	97	302948	Console Decal, R.H., 45°
49	56359	Clutch Spring	98	302949	Console Decal, L.H., 45°
			99	308422	Operator's Manual (Not illustrated)
			100	304224	Parts Manual (Not illustrated)

(*) Standard hardware items - May Be Purchased Locally.

LIGHT GROUND ENGAGING TRACTOR MODEL 4518-1200

NOTE: ALWAYS USE ORIGINAL EQUIPMENT PARTS.
Use of service/replacement parts other than original equipment parts may void your warranty.



LIGHT GROUND ENGAGING TRACTOR MODEL 4518-1200

Key No.	Part No.	Description	Key No.	Part No.	Description
1	301251	Steering Wheel	39	2438	Spring Washer
2	456378	Roll Pin, 1/4 x 2 In.	39	58246	Shoulder Bolt, 1/2-13 Thd.
3	57212	Poly Tube	40	9785	Grille Bracket, L.H.
4	57366	Screw, #10-16 x 1/2, Tap.	41	9784	Grille Bracket, R.H.
5	58243	Steering Shaft	42	56030	Screw, Hex Fl Hd, 5/16-18 x 3/4 In.
6	302868	Decal, Shift Pattern	43	55273	Locknut, Hex Flange, 5/16-18 Thd.
7	58274	Dowel Pin	44	1498	Locknut, Hex, 5/16-18 Thd.
8	58244	Steering Pinion	45	57478	Extension Spring
9	301410	Flanged Bearing	46	12582	Spring Anchor
10	301398	* Flatwasher, 1-5/32 In.	47	112728	* Cotter Pin, 1/16 x 1/2 In.
11	21662	Flatwasher, 3/4 In	48	22265	Flatwasher, 35/64 In.
12	36625	E-Ring	49	58289	Steering Sector
13	304188	Hood	50	52406	Flanged Bearing
14	56676	Shoulder Bolt, 5/16-18 Thd.	51	120177	* Screw, Hex Hd, 1/2-13 x 1-1/2 In.
15	12520	Reflector	52	57196	Pivot Rod
16	302670	Headlamp Lens	53	57947	Brake Pedal Spring
17	57366	Screw, #10-16 x 1/2, Tap.	54	300308	Pedal Assembly
18	49401	Wheel & Tire Assembly(Incl. 4,19,35,69,71	55	2968	Flatwasher, 1/2 In.
19	24167	Valve Stem	56	20864	Retaining Ring
20	642	Flatwasher, 3/4 In.	57	48180	Clutch Brake Pad
21	40394	Hub Cap	58	57204	Clutch Rod
22	304234	Front Axle	59	57169	Shift Lever
23	36625	E-Ring	60	120238	* Nut, Hex Jam, 1/2-13 Thd.
24	52407	Spindle Bearing	61	304438	Shift Knob
25	9781	Spindle, L.H.	62	41482	Clips, Press
26	120369	* Nut, Hex, 3/8-24 Thd.	63	55021	Trim, Hood 77-1/2 In.
27	120382	* Lockwasher, Split, 3/8 In.	64	302936	Decal, Hood Side, R.H. 18 hp.
28	1498	Locknut, Hex, 3/8-16 Thd.	65	302939	Decal, Hood Side, L.H., 18 hp.
29	300326	Tie Rod	66	302893	Decal, Dash
30	180128	* Screw, Hex Hd, 3/8-16 x 1-3/4 In.	67	302758	Name Plate, Dynamark
31	1500	Locknut, Hex, 1/2-13 Thd.	68	305735	Assembly, Bumper
32	300146	Draglink	69	39830	Tire, Front
33	122207	* Screw, Hex Hd, 3/8-16 x 3 In.	70	55021	Fender, Trim 21" In.
34	304932	Fender	71	39979	Bearing
35	39829	Wheel, Front W/Bearing			
36	9180	Spindle, R.H.			
37	304790	Front Axle Bracket			

(*) Standard Hardware Items - May Be Purchased Locally.

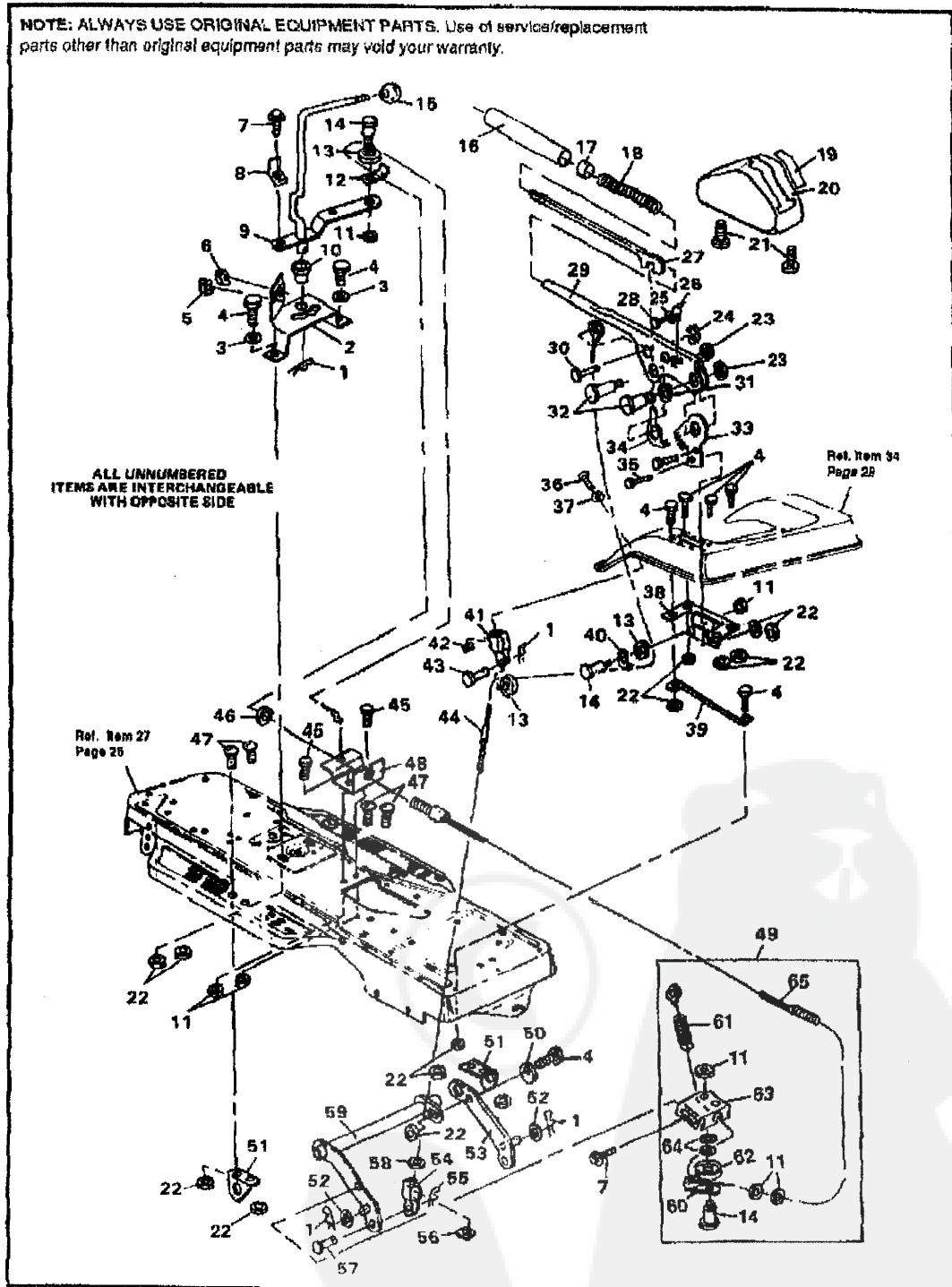
LIGHT GROUND ENGAGING TRACTOR MODEL 4518-1200

NOTE: ALWAYS USE ORIGINAL EQUIPMENT PARTS. Use of service/replacement parts other than original equipment parts may void your warranty.

ALL UNNUMBERED ITEMS ARE INTERCHANGEABLE WITH OPPOSITE SIDE

Ref. Item 27
Page 26

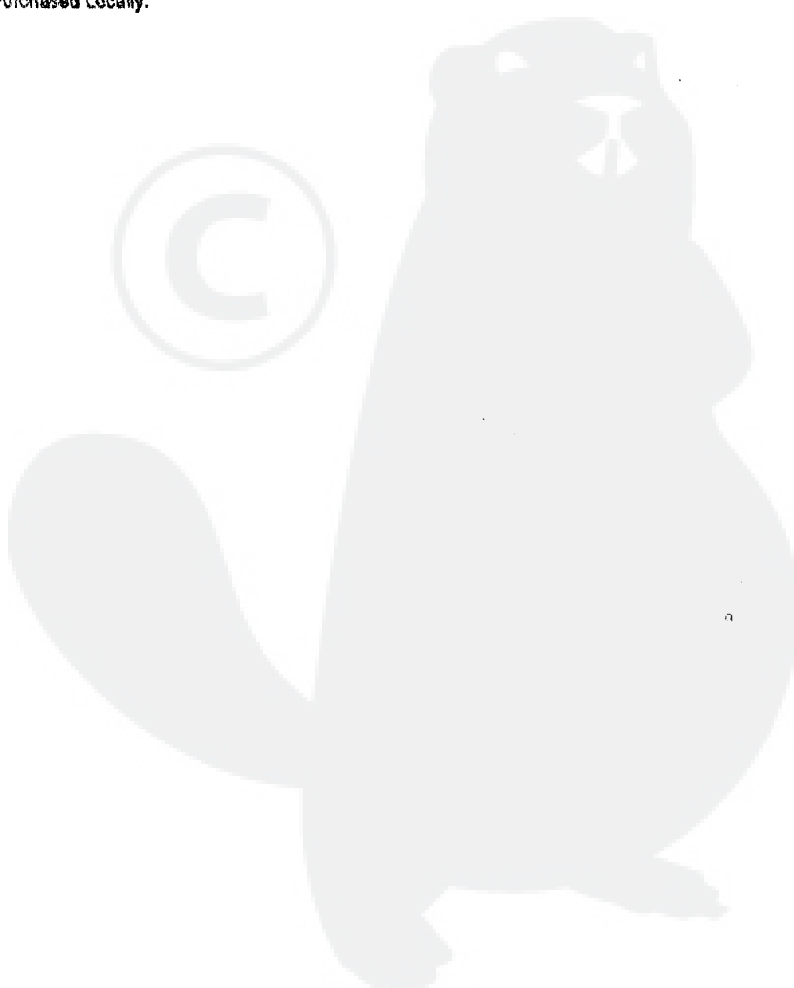
Ref. Item 34
Page 28



LIGHT GROUND ENGAGING TRACTOR MODEL 4518-1200

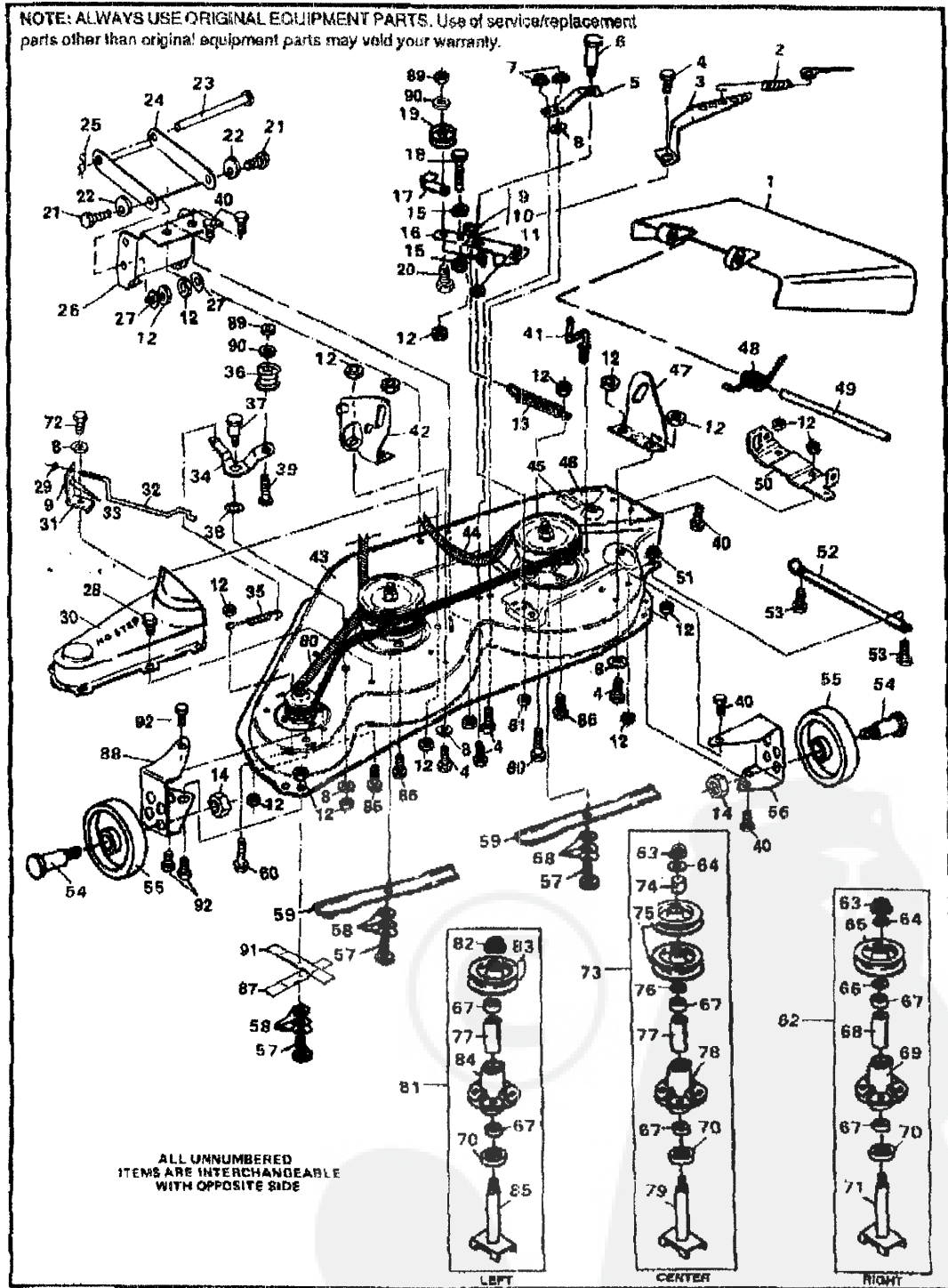
Key No.	Part No.	Description	Key No.	Part No.	Description
1	8280	Hair Pin Cotter	34	301239	Pawl Assembly
2	9402	Brake, Clutch Lever Assembly	35	180177	* Screw, Hex Hd, 5/16-18 x 3/4 in.
3	120393	* Flatwasher, 11/32 in.	36	438455	* Screw, Pan Hd, 5/16-18 x 9/16 in.
4	180079	* Screw, Hex Hd, 5/16-18 x 1 in.	37	301551	Washer, Curved 11/32 in.
5	300220	Switch, Mower Clutch	38	58333	Bracket, Support, Height Adjust Lever
6	38277	Switch, Mower Clutch	39	300217	Brace, Support, Height Adjust Lever
7	35498	Screw, Tapfit, 5/16-18 x 3/4 in.	40	9149	Bracket, Retainer
8	300699	Bracket	41	300298	Clevis
9	304791	Clutch Lever Assembly	42	120379	Nut, Square, 5/16-18 Thd.
10	50148	Bearing, Flanged	43	300317	Pin, Clevis
11	1502	Locknut, Hex, 1/4-20 Thd.	44	301718	Cable, Deck Lift
12	1288	Bracket, Retainer	45	180020	* Screw, Hex Hd, 1/4-20 x 3/4 in.
13	99298	Pulley	46	120813	* Nut, Hex, 1/4-28 Thd.
14	58336	Shoulder Bolt	47	126211	* Carriage Bolt, 5/16-18 x 5/8 in.
15	55514	Knob, Clutch Lever Assembly	48	9397	Bracket, Frame, Cable Anchor
16	58328	Hand Grip, Height Adjust Lever	49	301503	Cable Assy, Blade Engage/Disengage
17	58325	Knob, Height Adjust Lever	50	58247	Nut, Adjusting (Eccentric)
18	58326	Spring, Height Adjust Lever	51	9117	Bracket, Rear Hanger
19	301897	Decal, Height Adjust Lever	52	120396	* Flatwasher, 17/32 in.
20	300339	Cover, Height Adjust Lever	53	300169	Link Assembly, Right Side
21	300340	Screw, Plastic, No. 10 x 3/4 in.	54	300703	Rear Clevis, Lift Cable
22	1498	Locknut, Hex, 5/16-18 Thd.	55	121222	* Cotter Pin, 3/32 x 3/4 in.
23	44108	Locknut, Wide Flange, 5/16-18 Thd.	56	120372	* Nut, Square, 1/4-20 Thd.
24	300311	E-Ring	57	39522	Clevis Pin
25	138479	Lockwasher, Ext. Tooth, 3/16 in.	58	120375	* Nut, Hex, 1/4-20 Thd.
26	300782	Pointer, Height Adjust Lever	59	9186	Rear Lift Assembly 300158
27	58930	Actuator Rod, Height	60	301250	Guide, Pulley
28	35287	Screw, Hex Wa Hd, No. 8-32 x 3/8 in.	61	301403	Spring, Height Adjust
29	9143	Lever, Height Adjust	62	99293	Pulley
30	300310	Pin, Clevis	63	9394	Bracket, Pulley
31	996418	* Flatwasher, 1/2 in.	64	54569	Washer, Special
32	300171	Shoulder Bolt, 5/16-18 Thd.	65	300266	Cable, Mower Clutch
33	301238	Quadrant Assembly			

(*) Standard Hardware Items - May Be Purchased Locally.



LIGHT GROUND ENGAGING TRACTOR MODEL 4518-1200

NOTE: ALWAYS USE ORIGINAL EQUIPMENT PARTS. Use of service/replacement parts other than original equipment parts may void your warranty.



ALL UNNUMBERED
ITEMS ARE INTERCHANGEABLE
WITH OPPOSITE SIDE

LIGHT GROUND ENGAGING TRACTOR MODEL 4518-1200

Key No.	Part No.	Description	Key No.	Part No.	Description
1	57361	Chute Guard	47	58250	Bracket, Lift R.H.
2	300473	Spring, Brake Return	48	55767	Spring, Discharge Chute
3	9401	Extension, Idler Arm	49	57317	Rod, Pivot
4	180077	Screw, Hex Hd., 5/16-18 x 3/4 In.	50	57360	Bracket, Pivot
5	300179	Bracket, Idler	51	271184	Nut, Keps, 5/16-18 Thd.
6	300180	Shoulder Bolt	52	57314	Skid Bar
7	44108	Locknut, Hex, Wide Fl, 5/16-18 Thd.	53	126216	Carriage Bolt, 5/16-18 x 3/4 In.
8	120393	Flatwasher, 11/32 In.	54	23783	Wheel Axle
9	41471	Brake Pad	55	52584	Wheel, Deck
10	41801	Rivet, Brake Pad, 3/16 x 1/2 In.	56	9174	Bracket, Wheel Mount, R.H.
11	996416	Flatwasher, 3/8 In.	57	39573	Screw, Hex Hd., 3/8-24 x 1 In.
12	1498	Locknut, 5/16-18 Thd.	58	2483	Formed Washer
13	34510	Spring	59	58212	Blade, Long, 18-1/8 In.
14	1499	Locknut, 3/8-16 Thd.	60	300345	Screw, Hex Hd., 5/16-18 x 1-3/8 In.
15	271172	Nut, Keps, 1/4-20 Thd.	61	45171	Locknut, Wide Flange, 5/16-18 Thd.
16	300491	Idler Arm Assy. (Includes 8 & 10)	62	56424	Quill Assembly (Incl. 63-67)Right
17	1346	Retainer, Belt	63	51445	Locknut, Flange, 7/16-20 Thd.
18	121954	Screw, Hex Hd., 1/4-20 x 2 In.	64	56365	Washer, Special
19	300841	Pulley, Idler	65	56390	Pulley
20	57325	Carriage Bolt, 3/8-16 x 2 In.	66	51449	Spacer
21	122017	Screw, Hex Hd., 5/16-18 x 1 In.	67	49582	Bearing
22	58247	Nut, Adjusting (Eccentric)	68	50818	Spacer, Tube
23	58306	Rod, Deck Hitch	69	55547	Quill(Right)
24	301091	Bracket, Deck Front	70	50816	Dust Shield
25	8280	Halfpin Cotter	71	56425	Saddle & Shaft Assembly
26	58315	Lift Support Plate	72	120228	Screw, Hex Hd., 5/16-18 x 5/8 In.
27	35214	Flatwasher, 21/64 In.	73	304078	Quill Assy. (Incl. 63,64,67,70,74-79)
28	40885	Screw, Tapite, 1/4-20 x 3/8 In.	74	301378	Spacer
29	1502	Locknut, 1/4-20 Thd.	75	56390	Pulley
30	300238	Belt Guard	76	301379	Spacer
31	300181	Blade Brake Assy. (Includes 9 & 33)	77	58128	Spacer, Tube
32	300315	Rod, Brake Release	78	58124	Quill(Center)
33	185624	Rivet, Brake Pad, 3/16 x 13/32 In.	79	58165	Saddle & Shaft Assembly
34	1343	Idler Arm	80	300142	Deck V-Belt, (Short)
35	300215	Spring, Idler Arm	81	58125	Quill Assy. (Incl. 67,70,77,82-85)Left
36	300920	Pulley, Idler	82	51445	Locknut, Wide Flange, 7/16-20 Thd.
37	41860	Shoulder bolt, 5/16 x 18 Thd.	83	300294	Pulley Half
38	4107	Flatwasher, 5/8 In.	84	58162	Quill(Left)
39	45892	Carriage Bolt, 3/8-16 x 1-1/2 In.	85	58122	Saddle & Shaft Assembly
40	120834	Screw, Hex Hd, 5/16-18 x 1/2 In.	86	50634	Screw, Hex Hd., 5/16-18 x 7/8 In.
41	57318	Guide, Belt(Left)	87	300323	Blade, Med-Lift 9-13/32 In.
42	58251	Bracket, Lift L.H.	88	300103	Bracket, Wheel Mount, L.H.
43	304145	Mower Deck, Housing	89	120377	Nut, Hex, 3/8-16 Thd.
44	300880	V-Belt	90	120382	Lockwasher, Split 3/8 In.
45	68249	Decal, No Step	91	304532	Blade, High-Lift, 9-5/8 In.
46	68547	Decal, Danger	92	180075	Screw, Hex Hd, 5/16-18 x 1/2 In.

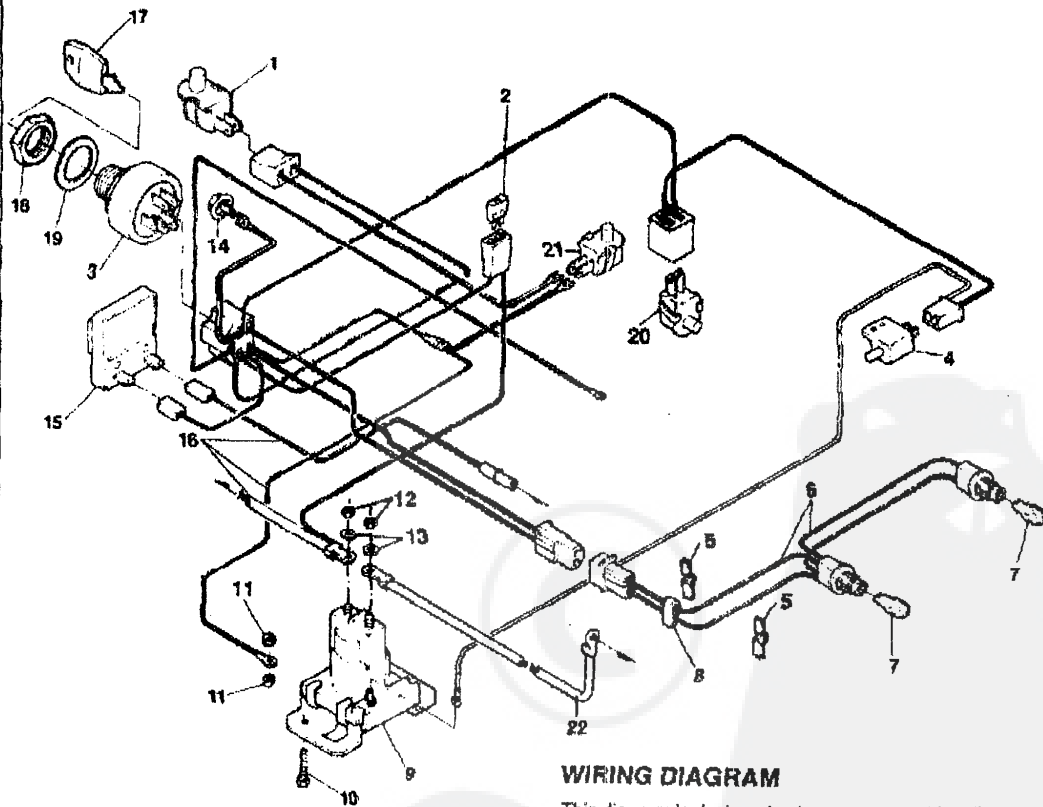
(*) Standard Hardware Items - May Be Purchased Locally.

LIGHT GROUND ENGAGING TRACTOR MODEL 4518-1200

Key No.	Part No.	Description	Key No.	Part No.	Description
1	58277	Seat Switch	12	120388	Nut, Hex, 5/16-24 Thd.
2	302031	Fuse, 15 amp	13	138485	Washer, Shakeproof, 5/16 in.
3	300687	Switch, Ignition & Lights (incl. 18 & 19)	14	301255	Indicator Light
4	57211	Safety Switch, Brake/Clutch	15	300133	Ammeter Gauge
5	41482	Press Clip	16	300620	Wire Harness (include 22)
6	303064	Headlight Harness	17	300826	Key, Ignition Switch
7	52572	Headlight Bulb	18	48140	Nut, (Ignition Switch Part)
8	54888	Wire Retainer	19	138557	Lockwasher (Ignition Switch Part)
9	53716	Solenoid	20	300220	Safety Switch, Mower Clutch
10	187745	Screw, Hex Hd, Sem, Ma, 1/4 x 3/4 -20 Thd.	21	58277	Safety Switch, Mower Clutch
11	1502	Locknut, Hex, 1/4-20 Thd.	22	308238	Wire Assy., Starter

(*) Standard Hardware Items - May Be Purchased Locally.

NOTE: ALWAYS USE ORIGINAL EQUIPMENT PARTS.
Use of service/replacement parts other than original equipment parts may void your warranty.



WIRING DIAGRAM

This diagram is designed to be used as a wiring diagram. We recommend that unless you are fully qualified to make repairs on the electrical system on this unit, you take it to an authorized servicer for such work or adjustments. If wiring is incorrectly hooked up, engine electrical system can be damaged.