

46300A 20A

REPAIR PARTS BOOK

RIDING MOWER 18/46 (116cm)

REPLACEMENT PART ORDERING INFORMATION

Use only manufacturer's authorized or approved replacement parts. The letter placed on the end of the part number denotes the type of finish for the part, C for chrome, Z for zinc, a PA for purchased assembly. It is important that you include this when ordering a part. Do not use attachments or accessories not specifically recommended for this unit. In order to obtain proper replacement parts, you must supply the model number of your mower (see nameplate).

Replacement parts, except for the engine, transmission, transaxle or differential, are available from the store where the unit was purchased or a service shop recommended by the store.

If you cannot obtain parts or service, then contact: Murray Export Sales B.V., Baarerstrasse 75, 6300 Zug, Switzerland. Collect telephone calls will not be accepted.

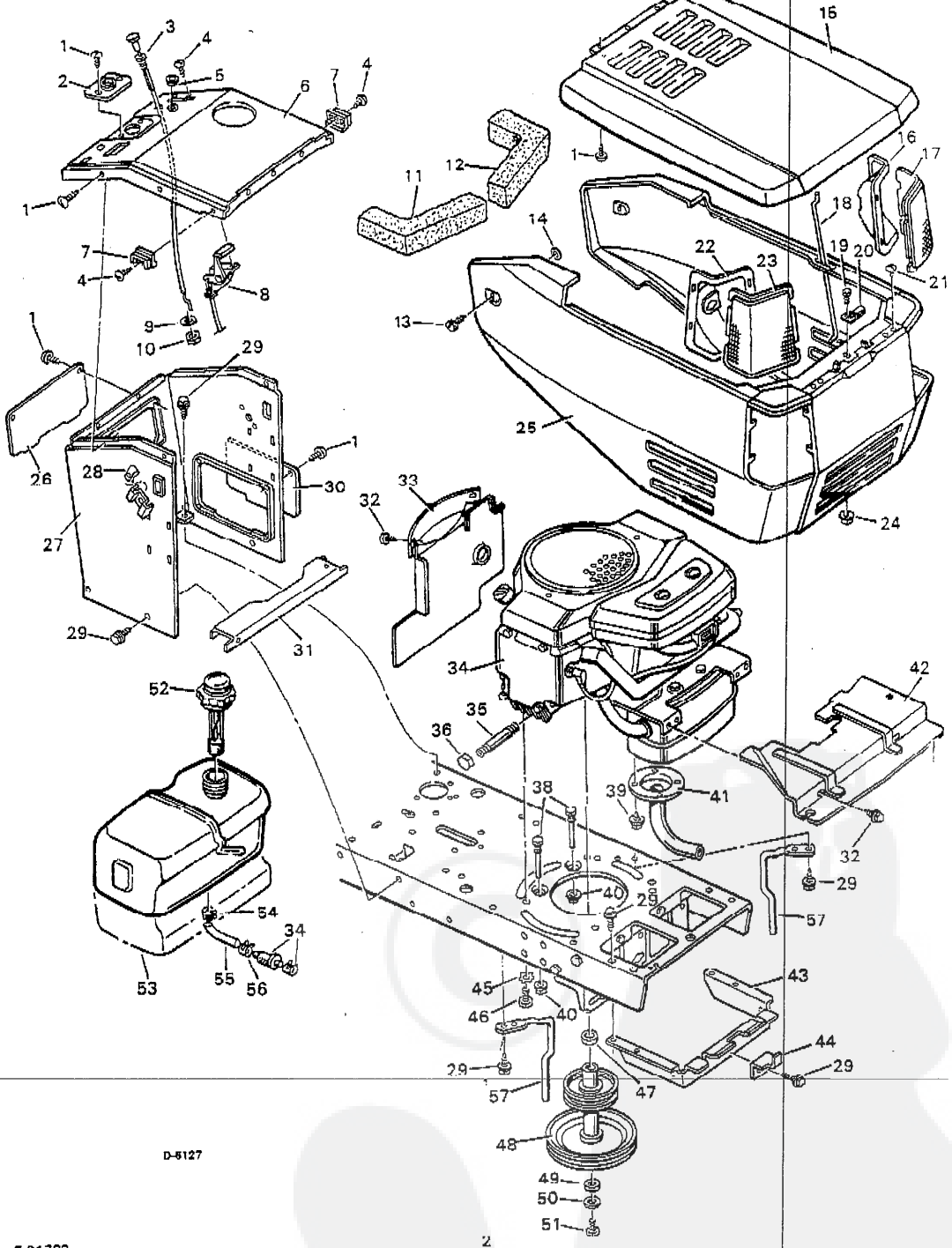
Replacement parts for the engine, transaxle, or transmission, are available from the manufacturer's authorized service center found in the telephone directory. Also, see the individual engine or transmission warranties to order replacement parts.

When ordering the following information is required:

- (1) The Model Number;
- (2) Date of Manufacture;
- (3) Part Number;
- (4) Description;
- (5) Quantity.

MODEL NO. 46300x20A

REPAIR PARTS
HOOD & ENGINE MOUNT



D-6127

F-91783

MODEL NO. 46300x20A

REPAIR PARTS
HOOD & ENGINE MOUNT

KEY NO.	DESCRIPTION	PART NO.	KEY NO.	DESCRIPTION	PART NO.
1	Screw	26x250	29	Screw	26x249
2	Bearing, Steering Post	93066	30	Panel, Side Access	93007E700
3	Cable, Choke	91326	31	Support, Fuel Tank +	91329E700
4	Screw	26x201	32	Screw	25x2
5	Bushing	55717	33	Baffle, Rear Heat	93078E700
6	Dash Panel Assembly	93036E700	34	Engine *	
7	Spacer	91599	35	Oil Drain Extension	23783
8	Throttle Control	91992	36	Oil Drain Cap	21651
9	Lockwasher	18x31	38	Guide, Belt	92151
10	Nut, Hex	15x33	39	Screw	26x203
11	Baffle, Foam	91487	40	Locknut, Flange	15x88
12	Baffle, Foam	91486	41	Pipe, Exhaust	23743E700
13	Screw	91330	42	Baffle, Front Heat	92237E700
14	Retainer	90815	43	Extension, Frame	92023E700
15	Hood Assembly	70019E245	44	Clip, Locator	92009Z
16	Reflector, Left Headlamp	92021Z	45	Lockwasher	19x8
17	Lens, Left Headlamp	91319	46	Bolt, Hex	25x7
18	Rod, Hood Stop	91370Z	47	Spacer, Engine	93077
19	Bolt, Hex	6x91	48	Putley Assembly, Stack	92249Z
20	Spring, Hood Latch	91322	49	Washer	17x170
21	Bumper	91323	50	Lockwasher	19x35
22	Reflector, Right Headlamp	92149Z	51	Bolt, Hex	1x140
23	Lens, Right Headlamp	91318	52	Cap, Fuel Tank	91349
24	Locknut	15x66	53	Fuel Tank, Complete	91355
25	Grille Assembly	92125E245	54	Clamp, Hose **	91174
26	Panel, Rear Access +	91419E700	55	Fuel Line **	90671
27	Console Assembly	93040E700	56	Clamp, Hose	23713
28	Receptacle	28x52	57	Guide, Belt	23789 Z

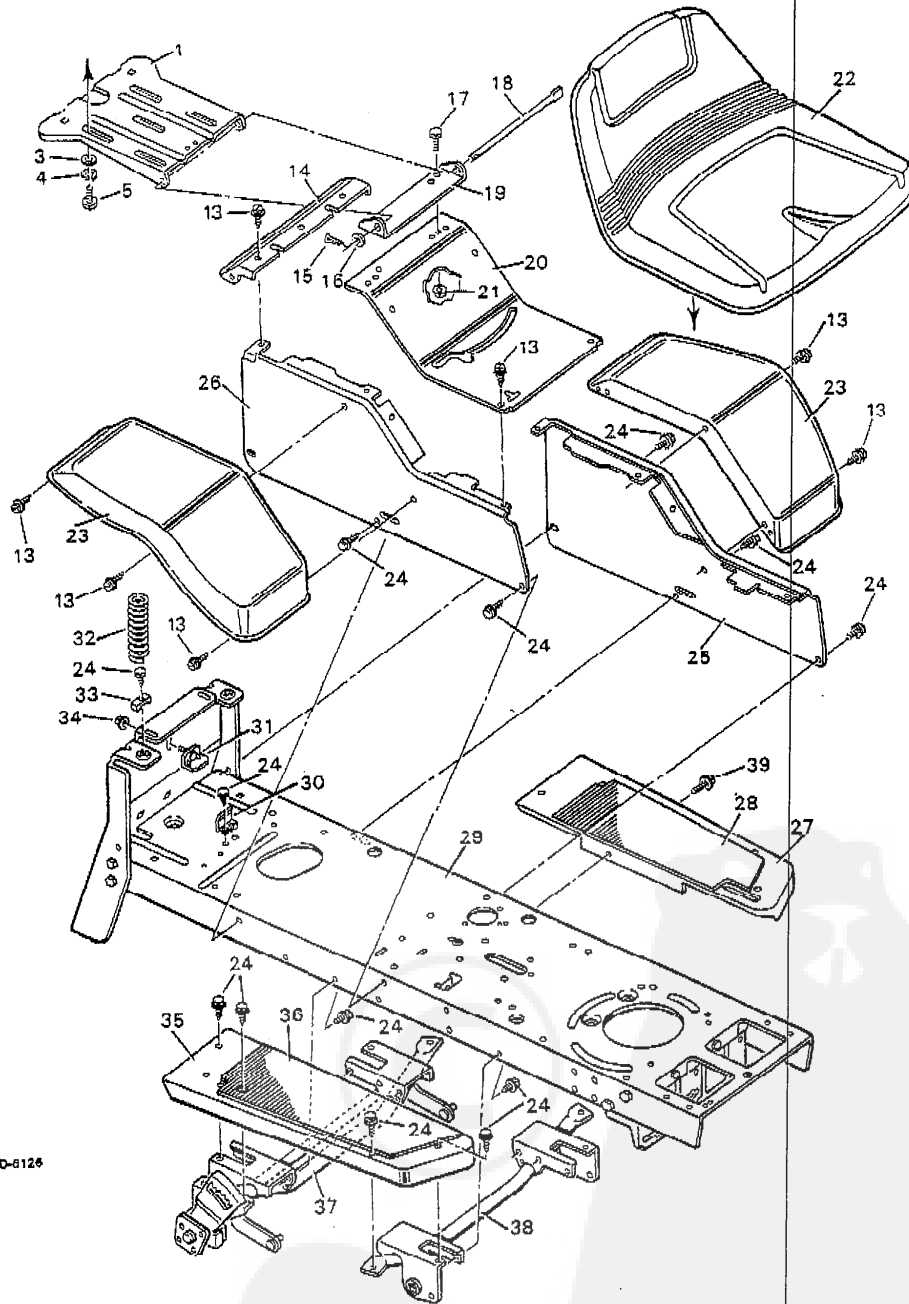
* The Engine Model, Type, and Code Numbers are on the engine. All parts to the engine are available from a Briggs & Stratton Authorized Service Center. See "Engines, Gasoline" or "Gasoline Engines" in the yellow pages of the telephone directory.

+ Also included with Key No. 27.

** Also included with Key No. 53.

MODEL NO. 46300x20A

REPAIR PARTS
REAR BODY



D-8126

F-91783

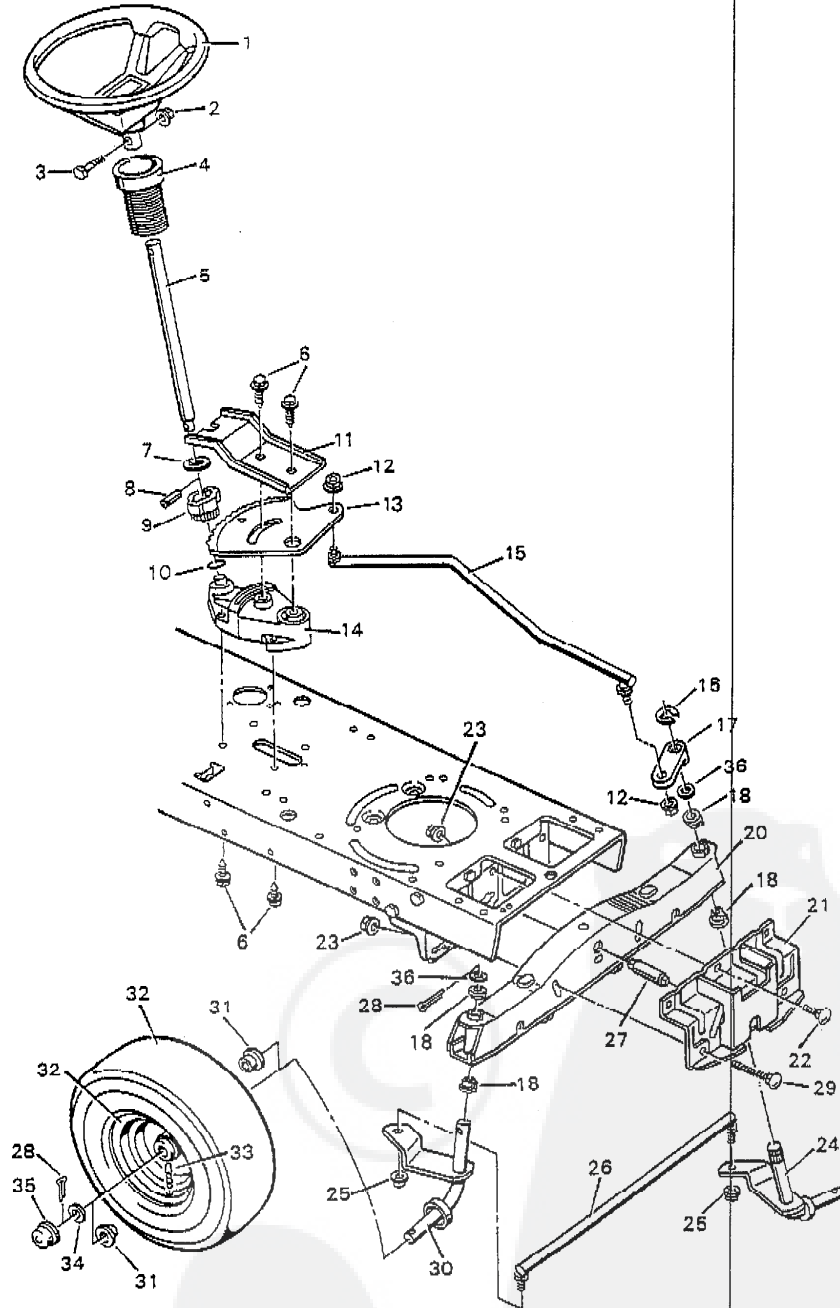
MODEL NO. 46300x20A

REPAIR PARTS
REAR BODY

KEY NO.	DESCRIPTION	PART NO.
1	Support, Seat	93093E700
3	Washer	17x47
4	Lockwasher	18x16
5	Bolt, Hex	1x45
13	Screw	26x214
14	Insert, Rear	93043E700
15	Cotter Pin	30x20
16	Washer	17x52
17	Bolt, Hex	1x91
18	Rod, Seat Pivot	93083Z
19	Bracket, Seat Pivot	93084F700
20	Panel, Top	93021E700
21	Locknut, Flange	15x88
22	Seat	91453
23	Fender	23006E245
24	Screw	26x249
25	Panel, Left Side	93023E700
26	Panel, Right Side	93022E700
27	Running Board, Left	93011E245
28	Mat, Left Running Board	93071
29	Frame Channel	403338
30	Clip, Battery	55149E700
31	Clamp, Battery	91325Z
32	Spring, Seat	164x17
33	Retainer, Spring	90014
34	Locknut	15x76
35	Running Board, Right	93010E245
36	Mat, Right Running Board	93070
37	Lifter and Support Assembly	93114E700
38	Support Assembly, Front	93013E700
39	Fastener, Panel	193x1

MODEL NO. 46300x20A

REPAIR PART
STEERIN



D-6128

F-91783

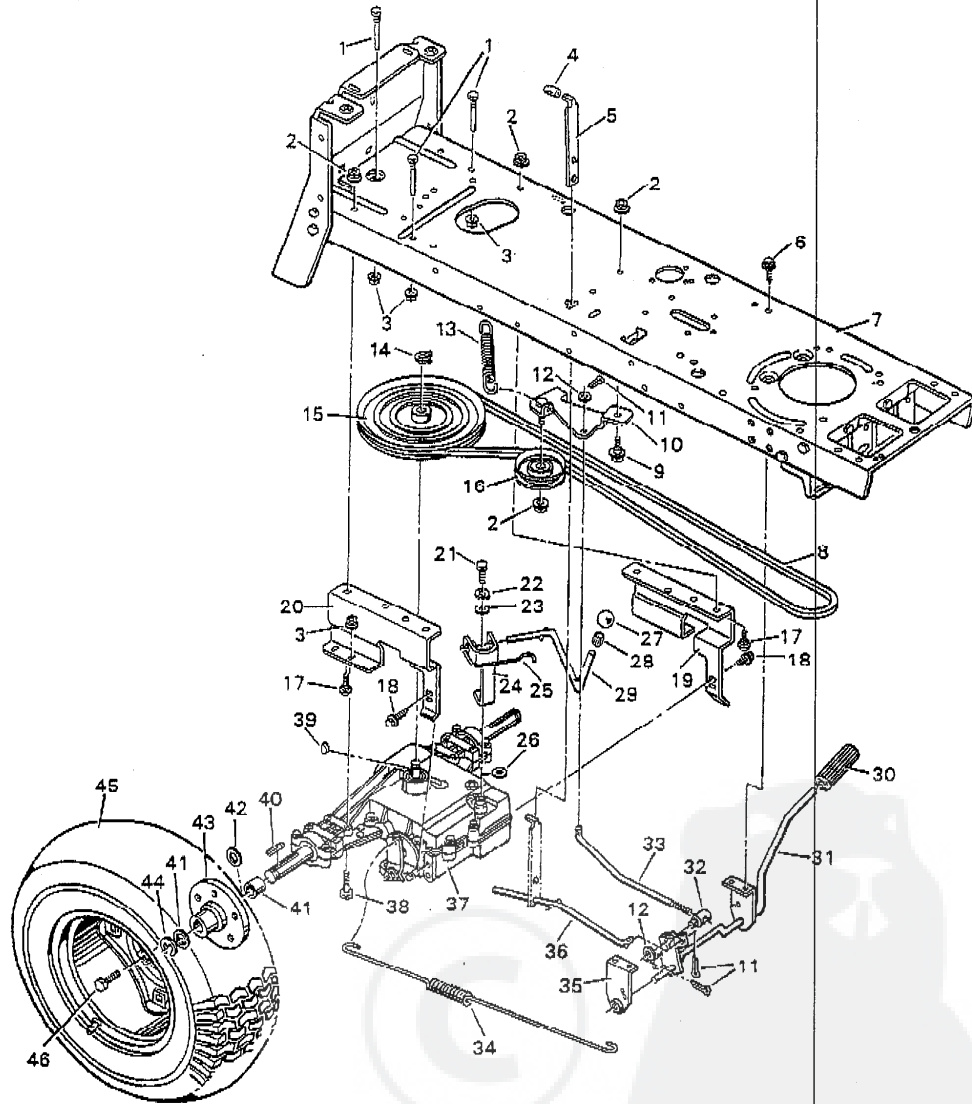
MODEL NO. 46300x20A

REPAIR PARTS
STEERING

KEY NO.	DESCRIPTION	PART NO.
1	Wheel, Steering	92076
2	Nut, Hex	15x90
3	Bolt, Hex	1x66
4	Bellows, Steering Post	91298
5	Post Assembly, Steering	93039
6	Screw	26x249
7	Washer (Incl'd with Key 5)	17x177
8	Pin, Spring (Incl'd with Key 5)	32x77
9	Gear Assembly, Pinion	93037
10	O-Ring (Incl'd with Key 9)	93068
11	Clip, Gear Retainer	93081E700
12	Locknut, Flange	15x112
13	Gear, Sector	93062E700
14	Support, Steering	93038
15	Link, Drag	93061E700
16	E-Ring	11x22
17	Arm, Drag Link	93059E700
18	Bearing	93058
20	Axle Assembly	93025E700
21	Hanger Assembly, Axle	93080E700
22	Bolt, Carriage	2x56
23	Locknut, Flange	15x84
24	Spindle Assembly, Left	93031E700
25	Locknut, Flange	15x87
26	Rod, Tie	93060E700
27	Pin, Axle Pivot	21469W
28	Pin, Cotter	30x49
29	Bolt, Carriage	2x60
30	Spindle Assembly, Right	93030E700
31	Bearing, Wheel (Incl'd with Key 32)	93064
32	Wheel & Tire Assembly	93089-601
—	Tire (Incl'd with Key 32)*	24393
—	Tube (Incl'd with Key 32)	407047
33	Stem, Valve (Incl'd with Key 32)	24373
34	Washer	17x114
35	Hub Cap (Optional)	24582
36	Shim	17x75

* When you order a tire, make sure to give the brand name of the tire so that the tread pattern on the tire will match.

**REPAIR PAP
MOTION DRI**



DJR132

F-91783

**REPAIR PARTS
MOTION DRIVE**

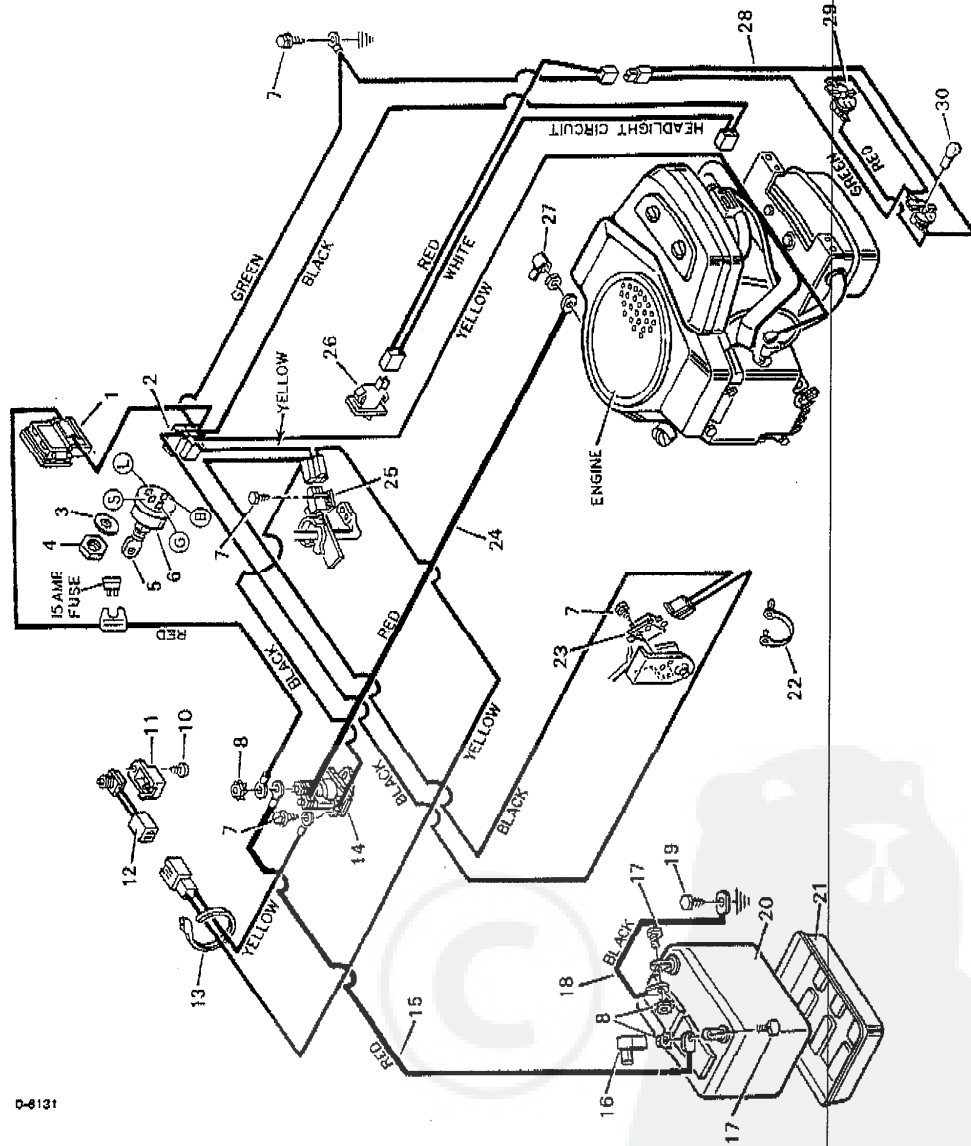
KEY NO.	DESCRIPTION	PART NO.
1	Guide, Belt	92151
2	Locknut, Flange	15x84
3	Locknut, Flange	15x88
4	Grip	91079
5	Lever, Park Brake	93044E700
6	Screw	26x249
7	Frame	403338
8	Belt, Motion Drive	37x68
9	Bolt, Shoulder	9x39
10	Bracket Assembly, Idler	93033Z
11	Pin, Cotter	30x20
12	Washer	17x52
13	Spring, Extension -Drive	165x87
14	Ring, Retainer	11x7
15	Pulley, Motion Drive	75073
16	Pulley, Idler -Backside	23339
17	Bolt, Carriage	2x78
18	Screw	26x207
19	Bracket, Transaxle -Left	93003E700
20	Bracket, Transaxle -Right	93002E700
21	Bolt, Hex	1x82
22	Lockwasher	18x32
23	Washer	17x38Z
24	Yoke, Shift Lever	93019Z
25	Spring	166x35
26	Washer	17x148
27	Knob, Shift Lever	91995
28	Ring, Tolerance	92008
29	Lever, Shift	93020Z
30	Clutch and Brake Pedal	21544
31	Lever Assembly, Pedal	93082E700
32	Nut, Adjustable	21920
33	Rod, Clutch	93029Z
34	Spring, Extension -Brake	165x82
35	Bracket, Pedal Support	91713E700
36	Rod, Brake Latch	93054
37	Transaxle, Peerless Model 820-001A **	---
38	Bolt, Hex	1x132
39	Key, Woodruff No. 9	20897
40	Key, Square	24039
41	Spacer, Transaxle	137x21Z
42	Washer	17x118Z
43	Hub, Wheel	23020
44	E-Ring	11x23
45	Wheel & Tire Assembly	92049
--	Tire Only (Incl'd with Key 45) *	407920
--	Tube	407051
--	Valve Stem and Cap (Incl'd with key 45)	24373
46	Bolt, Hex	1x80

* When you order a tire, make sure to give the brand name of the tire so that the tread pattern on the tire will match.

** Parts for the transaxle are available from a Tecumseh Authorized Service Center. See "Engines, Gasoline" or "Gasoline Engines" in the yellow pages of the telephone directory.

MODEL NO. 46300x20A

REPAIR PART
WIRIN



D-6131

F-91783

MODEL NO. 46300x20A

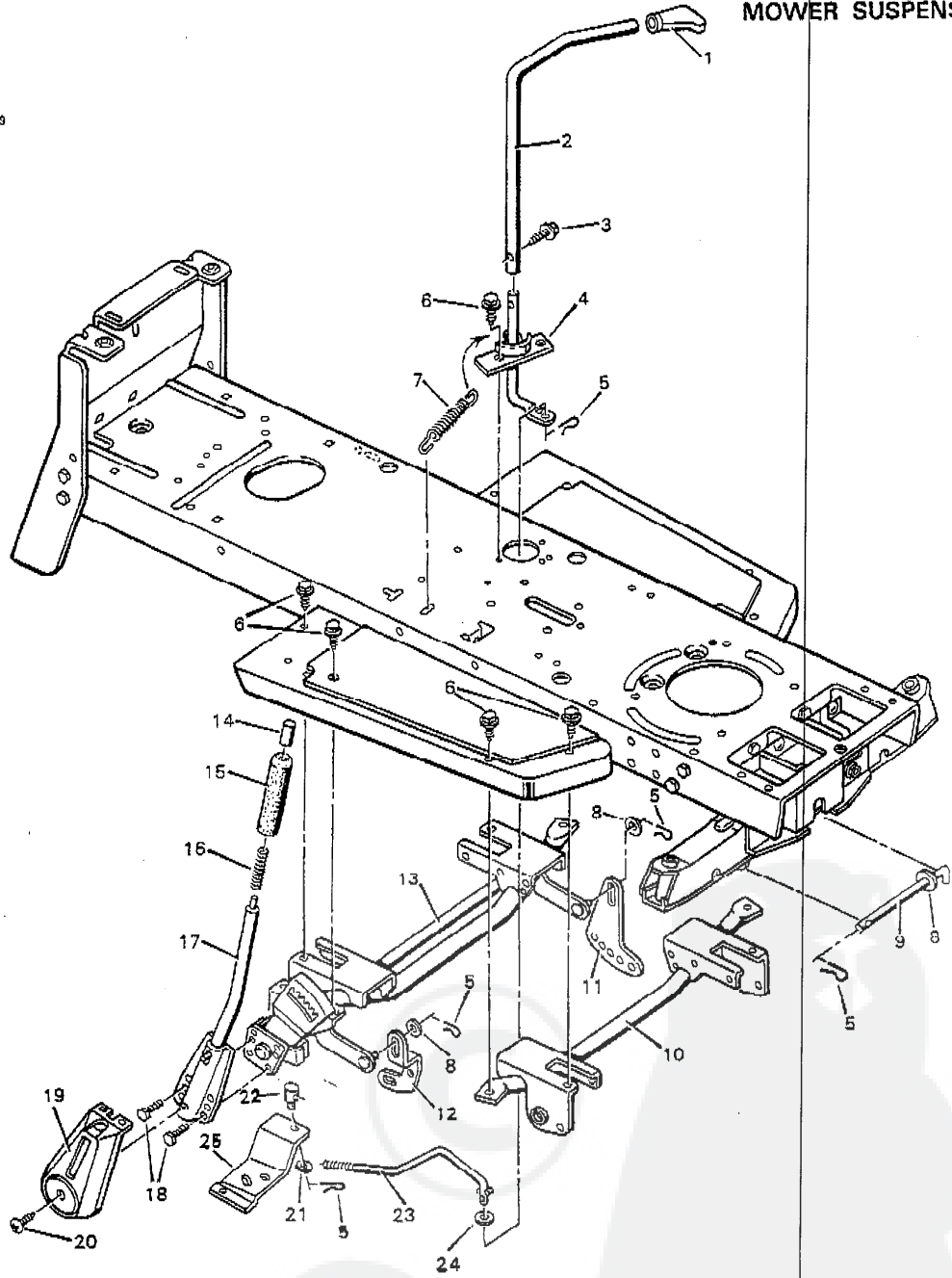
REPAIR PARTS
WIRING

KEY NO.	DESCRIPTION	PART NO.
1	Ammeter	90729
2	Harness, Chassis Wire	250x39
—	Fuse, Replacement	54212
—	Holder, Fuse Replacement	407078
3	Lockwasher	19x40
4	Nut, Hex	15x105
5	Key & Ring, Ignition	20729
6	Switch, Ignition	21064
7	Screw	26x233
8	Locknut	15x66
10	Screw	26x159
11	Cover, Seat Sensor	56062
12	Switch, Seat Sensor	91031
13	Strap, Tie	32618
14	Solenoid	24285
15	Cable, Red Battery	24x12
16	Cover, Battery Terminal (Optional)	54148
17	Bolt, Hex	1x38
18	Cable, Battery Ground	24x9
19	Screw	26x249
20	Battery (Type U1-L9)	21075
—	Acid, Battery (Electrolyte)	90665
21	Tray, Battery	91895
23	Switch, Clutch	24273
24	Cable, Red	24x13
25	Switch, PTO	91299
26	Switch, Light	90647
27	Cover, Red Cable	24196
28	Harness, Light Wire	250x40
29	Socket, Light	91890
30	Bulb, Light	90084

MODEL NO. 46300x20A

REPAIR PART
MOWER SUSPENSIC

D-6129



F-91783

12

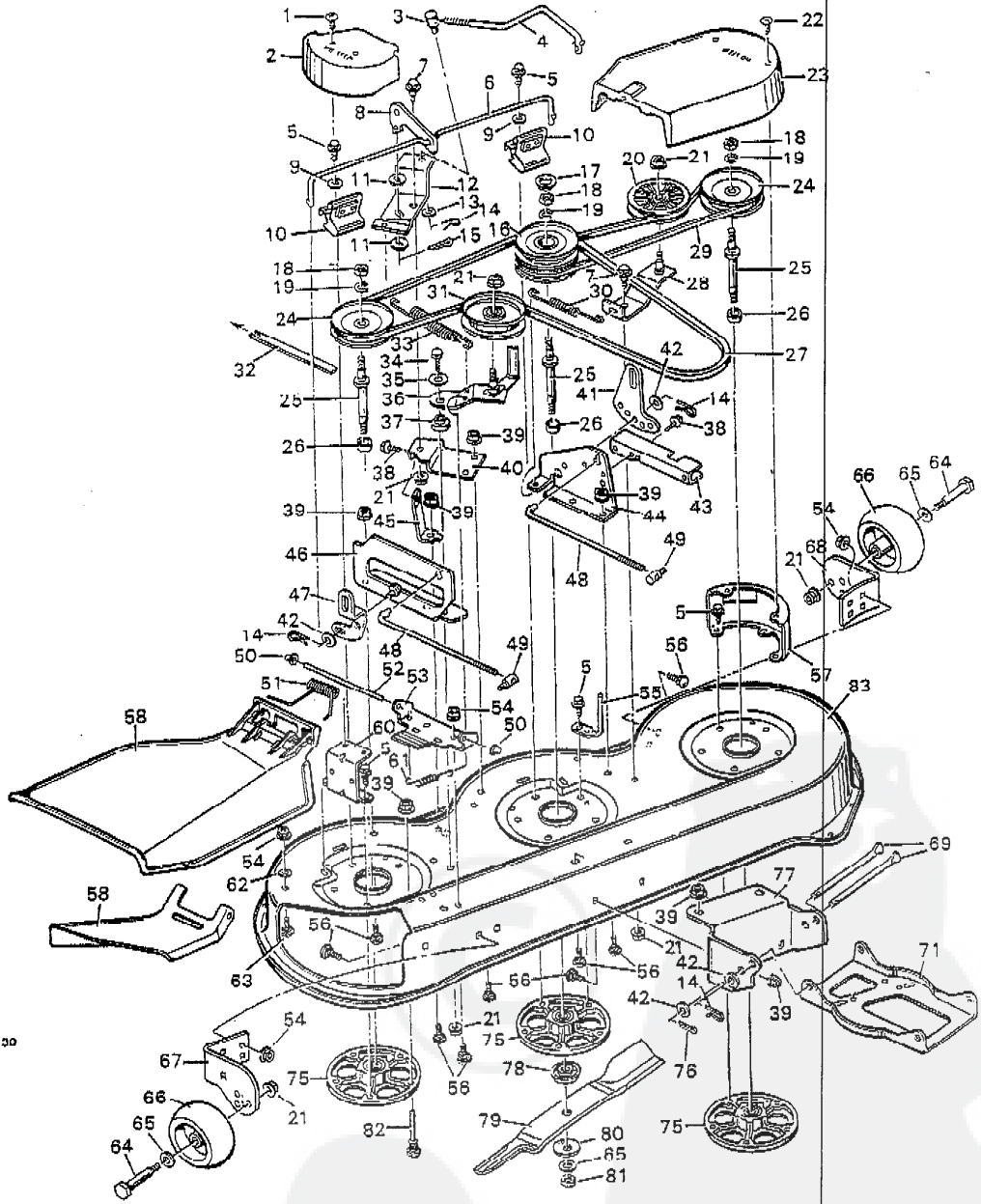
MODEL NO. 46300x20A

REPAIR PARTS
MOWER SUSPENSION

KEY NO.	DESCRIPTION	PART NO.
1	Grip	55449
2	Lever, Blade Control	93092Z
3	Bolt, Hex	25x3
4	Control Assembly, Blade	93051E700
5	Pin, Hair	31x4
6	Screw	26x249
7	Spring, Extension	165x92
8	Washer	17x103
9	Pin, Pull	90827Z
10	Support Assembly, Front	93013E700
11	Plate, Adjuster	93097E700
12	Link, Suspension	93096E700
13	Support Assembly, Lifter and	93114E700
14	Knob, Steel	91261
15	Grip	91398
16	Spring, Compression	164x21
17	Handle Assembly	91823E700
18	Screw	26x49
19	Cover, Lift Lever (Optional)	92157
20	Screw	26x238
21	Washer	17x124
22	Nut, Adjusting	21920
23	Rod, Blade Control	93094Z
24	Washer	17x47Z
25	Bracket, Pivot	93052E700

MODEL NO. 46300x20A

REPAIR PART:
MOWER HOUSING



D-6130

F-91783

MODE NO. 46300x20A

REPAIR PARTS
MOWER HOUSING

KEY NO.	DESCRIPTION	PART NO.	KEY NO.	DESCRIPTION	PART NO.
1	Screw	26x250	41	Plate, Adjuster	93097E700
2	Cover, Pulley	92145	42	Washer	17x103
3	Nut, Adjuster	21920	43	Channel, Left Cover	92138E700
4	Rod, Blade Control	93094Z	44	Bracket Assembly, Lifter	92109E700
5	Screw	25x6	45	Strut, Pivot	92158E700
6	Rod, Brake	92129Z	46	Bracket Assembly, Lifter	93088E700
7	Bolt, Shoulder	9x39	47	Link, Suspension	93096E700
8	Link, Brake	92130Z	48	Rod, Adjuster	92134Z
9	Washer	10851Z	49	Nut, Adjuster	92132
10	Linking Assembly, Brake	92148	50	Push-On Cap	28x23
11	Washer	17x171Z	51	Spring, Torsion	166x34
12	Bracket, Pivot	93062E700	52	Rod, Deflector	92159Z
13	Washer	17x124	53	Bracket, Hinge	92104E700
14	Pin, Hair	31x4	54	Locknut	15x88
15	Pin, Cotter	30x33	55	Guide, Belt	92116Z
16	Pulley, Stack	92128	56	Bolt, Carriage	2x53
17	Plug	92169	57	Bracket, Left Cover	92139E700
18	Nut, Hex	15x101	58	Deflector	92100
19	Lockwasher	18x33	59	Deflector, Inside	92103E700
20	Pulley, Idler	91590	60	Bracket, Cover	92140E700
21	Locknut	15x84	61	Spring, Extension	165x86
22	Screw	26x258	62	Washer	17x57
23	Cover, Left Pulley	92154	63	Bolt, Carriage	2x73
24	Pulley	92127	64	Bolt, Shoulder	9x23
25	Jackshaft	91921	65	Washer	17x165
26	Hub, Bearing	91925	66	Gauge Wheel	92265
27	Bolt, Primary Mower Drive	37x69	67	Bracket, Right Gauge Wheel	92259E700
28	Bracket, Idler	92112E700	68	Bracket, Left Gauge Wheel	92258E700
29	Belt, Secondary Drive	37x66	69	Rod, Hanger	91739Z
30	Spring, Extension	165x79	71	Hanger, Front	92119E700
31	Pulley, Idler	91801	75	Housing, Jackshaft	90905
32	Indicator, Plastic	92163	76	Pin, Cotter	30x48
33	Spring, Extension	165x80	77	Bracket, Front Hanger	93126E700
34	Bolt, Hex	1x111	78	Adapter, Blade	91926
35	Washer	17x168Z	79	Blade (3 required)	92117E700
36	Bracket, Idler	92220E700	80	Washer, Belleville	17x166
37	Bushing	92180	81	Nut, Hex	15x100
38	Screw	26x249	82	Guide, Belt	92151
39	Nut, Hex	15x79	1-83	Mower Housing, Complete	403341
40	Support, Pivot	92115E700		Housing only	MU93086E700