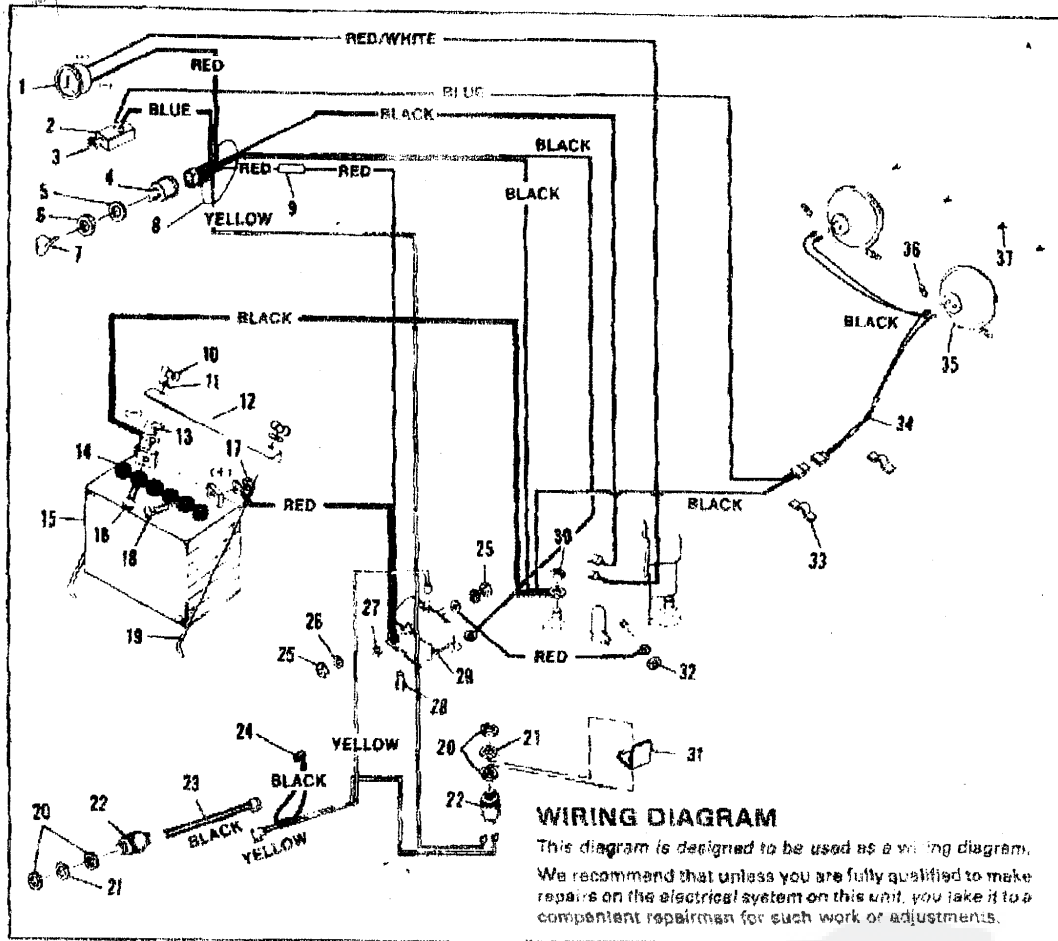


36" RIDING MOWER MODEL 5188-1500

REV. 01 00 8117 NO.001 P.13

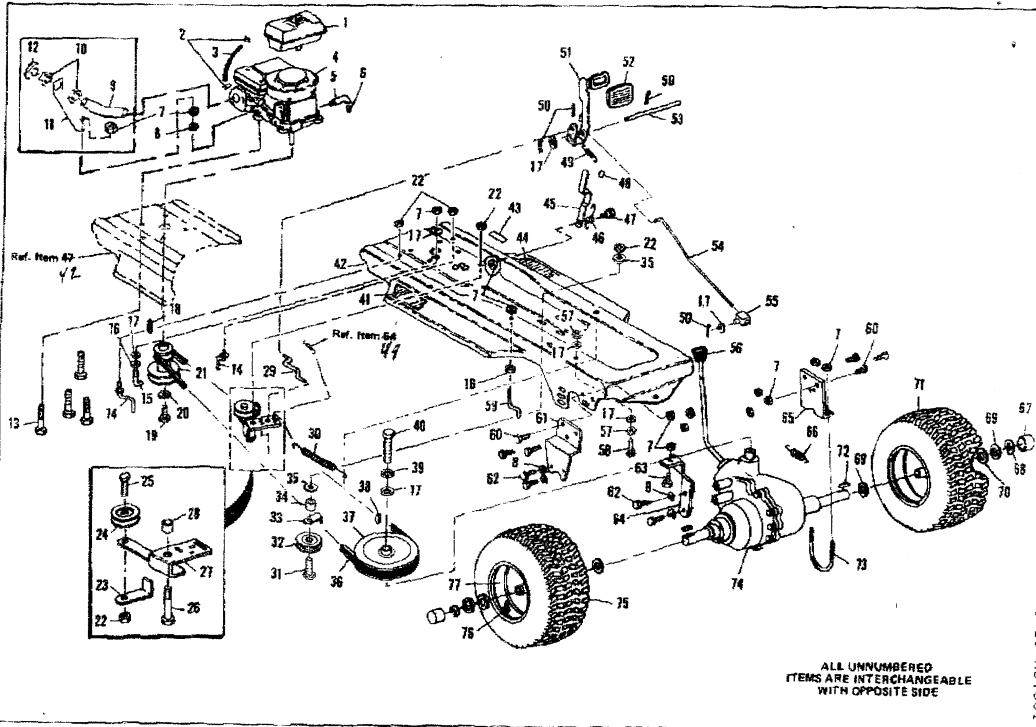


36" RIDING MOWER MODEL 5188-1500

Key No.	Part No.	Description	Key No.	Part No.	Description
1	39463	Ammeter	20	48877	Nut (Lockout Switch Port)
2	40997	Switch w/Knob, Headlamp	21	46878	Lockwasher (Lockout Switch Port)
3	40778	Knob, Headlamp Switch	22	41204	Switch, Lockout
4	44746	Switch w/Keys, Ignition	23	48851	Wire Assembly, Deck Switch
5	138667	Lockwasher (Switch Part)	24	42071	Wire Assembly, By-Pass
6	48140	Locknut (Switch Part)	25	120368	Locknut, Hex, 5/16-24 Thd
7	36285	Key, Ignition	26	120638	*Lockwasher, Split, 5/16 In.
8	49744	Wire Harness Assembly	27	9424215	Locknut, Hex, 1/4-20 Thd
9	49211	Fuse	28	121887	*Screw, Hex Hd, 1/4-20 x 3/4 In.
10	887208	Wing Nut, Nylock, 1/4-20 Thd	29	44629	Solenoid
11	1366	*Flatwasher, 1/4 In.	30	9413447	Locknut, Hex, 5/16-18 Thd
12	10243	Bracket, Battery Hold-Down	31	49734	Bracket, Switch Mounting
13	11172	Nut, Keys, 1/4-20 Thd	32		Engine Part
14	40892	Csp. Battery	33	41482	Wire Clip, Press
15	2935	Battery	34	44911	Wire Assembly, Headlamp
16	110356	*Carriage Bolt, 1/4-20 x 1/2 In.	35	44086	Headlamp
17	271184	Nut, Keys, 5/16-18 Thd	36	42692	Clip, Headlamp Mounting
18	126211	*Carriage Bolt, 5/16-18 x 5/8 In.	37	50688	*Screw, Tap, No. 10-16 x 1/2 In.
19	40234	Red, Battery Hold-Down			

*Standard Hardware Items—May Be Purchased Locally

36" RIDING MOWER MODEL 5188-1500



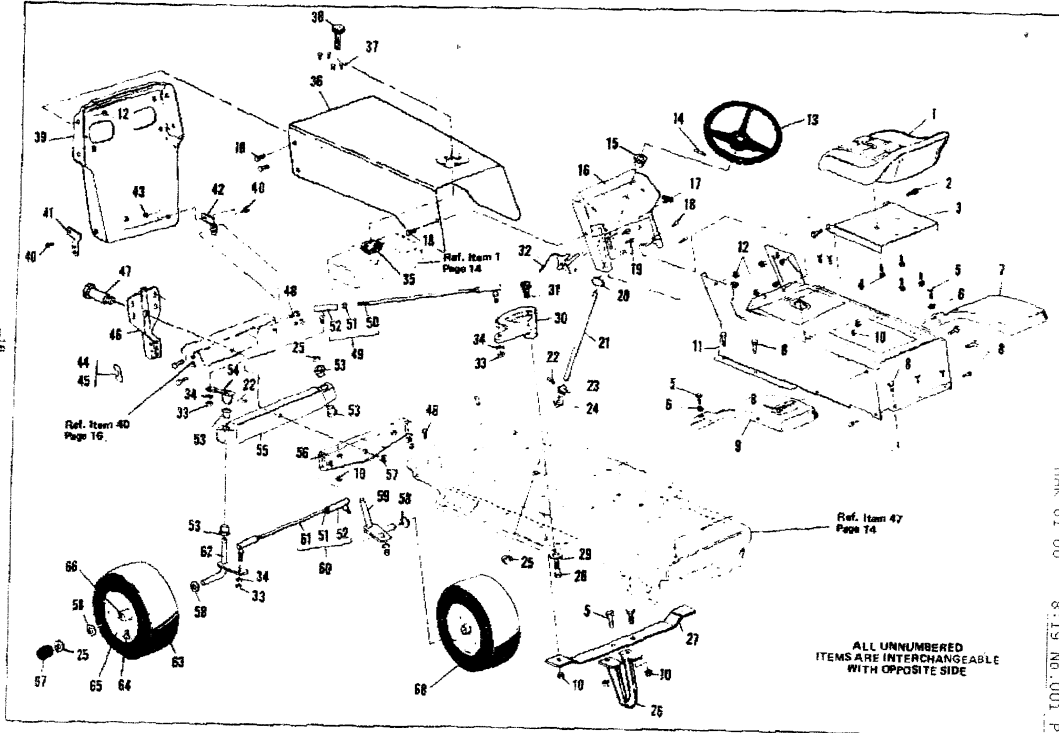
36" RIDING MOWER MODEL 5188-1500

Key No.	Part No.	Description	Key No.	Part No.	Description	Key No.	Part No.	Description
1	48812	Gas Tank	28	43953	Spacer	55	49653	Pivot Block
2	41008	Clip, Gas Line	29	43990	Rod, Clutch	56	29483	Knob, Gear Shift
3	50118	Gas Line	30	49276	Spring, Main Drive	57	271172	Nut, Hex, Keps, 1/4-20 Thd
4	43989	Engine Oil Drain Tube	31	122207	*Screw, Hex Hd, 3/8-16 x 3 In.	58	121979	*Screw, Hex Hd, 1/4-20 x 3 In.
5	23700	*Pipe Plug, 1/4 In.	32	40223	Pulley, Backside Idler	59	43991	Belt Guide, Transaxle Pulley
7	9413447	Locknut, Hex, 5/16-18 Thd	33	39314	Retainer, Drive Belt, Backside Idler	60	120228	*Screw, Hex Hd, 5/16-18 x 1/2 In.
8	120638	*Lockwasher, Split, 5/16 In.	34	49649	Spacer, Backside Idler	61	49651	Bracket, Axle, L.H.
9	48896	Tube, Muffler	35	120394	*Flatwasher, 3/4 In.	62	180080	*Screw, Hex Hd, 5/16-18 x 1 1/2 In.
10	46776	Locknut	36	39454	V-Belt	63	122007	*Screw, Hex Hd, 5/16-18 x 3/4 In.
11	46925	Support, Muffler	37	49545	Pulley, Transaxle	64	49652	Bracket, Stabilizing
12	46706	Muffler	38	431787	Key, Woodruff, No. 61	65	49650	Bracket, Axle, R.H.
13	122040	Screw, Hex Hd, 5/16-18 x 1 1/2 In.	39	120380	*Flatwasher, Split, 1/4 In.	66	39395	Spring, Brake Return
14	50653	Belt Guide, Blade Drive	40	180020	*Screw, Hex Hd, 1/4-20 x 3/4 In.	67	40394	Hub Cap
15	49896	Belt Guide, Transaxle Drive Belt	41	49885	Foot Pad, Left	68	36625	*E" Ring, 3/4 In.
16	271184	Nut, Hex, Keps, 5/16-18 Thd	42	50851	Main Frame	69	642	Flatwasher
17	120386	*Flatwasher, 1/4 In.	43	68588	Decal, Parking Brake	70	42815	Flatwasher, 3/4 In.
18	33200	Kev. Engine Pulley	44	51089	Foot Pad, Right	71	41104	Wheel & Tire Assembly, Rear
19	123587	*Screw, Hex Hd, 7/16-20 x 1 In.	45	43367	Arm, Parking Brake	72	39528	Key, 3/16 x 3/16 x 2 1/2 In.
20	120383	*Lockwasher, Split, 7/16 In.	46	43958	Spring, Parking Brake	73	40124	"U" Bolt
21	46846	Pulley, Engine	47	40974	Shoulder Bolt, Parking Brake	74	Transaxle	Peerless, Model 639A (See Warranty, Page 22)
22	9413534	Locknut, Hex, 3/8-16 Thd	48	67950	Decal, Parking Brake	75	41106	Tire
23	39569	Bolt Retainer	49	50562	Spring, Clutch Pedal	76	24167	Valve Stem
24	36374	Pulley, Idler	50	121222	*Pin, Cotter, 3/32 x 3/4 In.	77	41105	Wheel
25	120918	*Screw, Hex Hd, 3/8-16 x 1 1/2 In.	51	50736	Brake Pedal Assembly			
26	28928	Shoulder Bolt	52	48761	Rubber Pad, Brake Pedal			
27	46848	Arm, Drive Idler	53	43958	Shaft, Brake-Clutch Pedal			
			54	49654	Rod, Brake			

*Standard Hardware Items - May Be Purchased Locally.

36" RIDING MOWER MODEL 5188-1500 P. 14
 36" RIDING MOWER MODEL 5188-1500 P. 15

36" RIDING MOWER MODEL 5188-1500



MHW U.T.UU 8:19 No.001 P.16

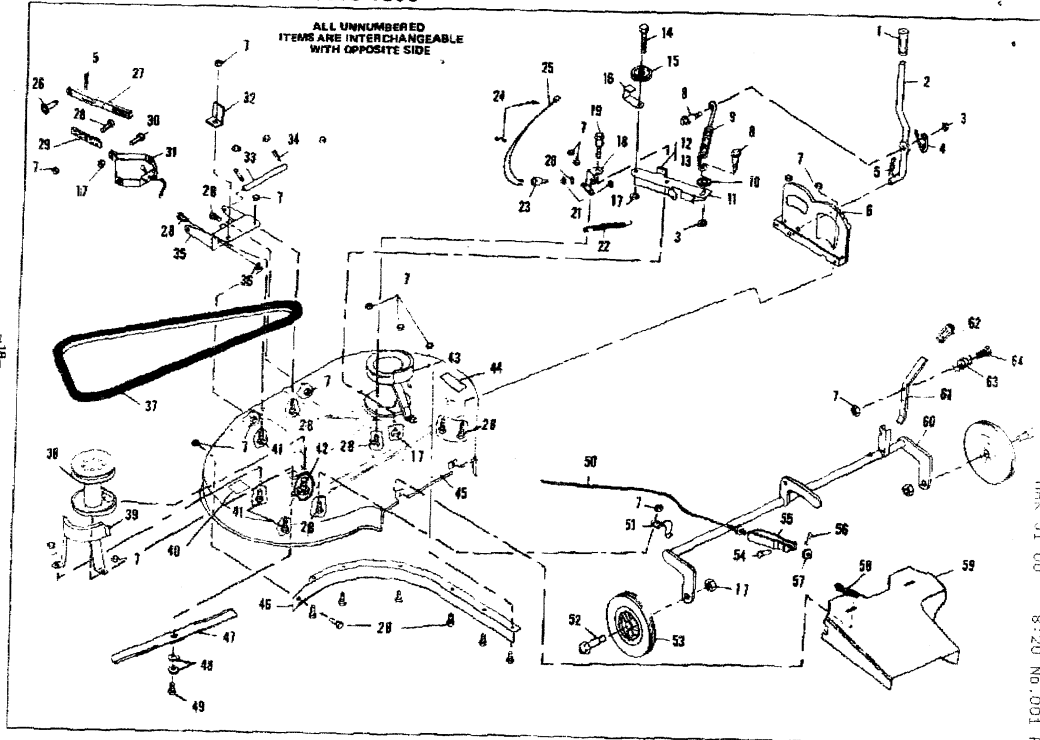
36" RIDING MOWER MODEL 5188-1500

Key No.	Part No.	Description	Key No.	Part No.	Description	Key No.	Part No.	Description
1	46503	Seat	24	39580	Bearing, Steering	47	50720	Shoulder Bolt, Axle Pivot
2	20507	Shoulder Bolt	25	36625	"E" Ring	48	120228	*Screw, Hex Hd, 5/16-18
3	49743	Seat Bracket	26	44500	Bracket, Deck Guide	49	44059	Drag Link Assembly
4	120834	*Screw, Hex Hd, 5/16-18 x 1 1/2 In.	27	43964	Bracket, Deck Guide Support	50	44060	Drag Link
5	122017	*Screw, Hex Hd, 5/16-18 x 1 In.	28	39573	Screw, Hex Hd Lock, 3/8-24 x 1 In.	51	124925	Nut, Hex, 3/8-24 Thd
6	446383	*Flatwasher, 5/16 In.	29	2483	Spring Washer	52	21275	Ball Joint
7	49536	Fender, R.H.	30	44010	Sector Gear	53	50546	Bearing, Spindle
8	995346	*Screw, Taprite, 1/4-20 x 1/2 In.	31	44011	Shoulder Bolt, Sector Gear	54	49447	Arm, Steering
9	49637	Fender, L.H.	32	50117	Lever, Throttle Control	55	44052	Front Axle Assembly
10	9413447	Locknut, Hex, 3/16-18 Thd	33	120369	*Nut, Hex, 3/8-24 Thd	56	43968	Bracket, Front Axle Support
11	49648	Console Assembly	34	120382	*Lockwasher, Split, 3/8 In.	57	274554	Flatwasher
12	9424215	Locknut, Hex, 1/4-20 Thd	35	44843	Pad, Vibration	58	642	Spindle, Right
13	47083	Spigering Wheel	36	50721	Hood	59	48844	Spindle, Left
14	456636	Roll Pin	37	49050	Screw, Plastite, 1/4-10 x 3/8 In.	60	48762	Tie Rod Assembly
15	39432	Bearing, Steering	38	43461	Gas Gauge	61	48784	Tie Rod
16	49655	Dash Assembly	39	48177	Grille	62	48845	Spindle, Left
17	39486	Knob, Engine Control Lever	40	120233	*Screw, Hex Hd, 3/8-18 x 1 In.	63	41108	Tire
18	48900	Screw, Hex Wash Hd, 1/4-20 x 1 In.	41	47851	Bracket, Grille Support, L.H.	64	24167	Valve Stem
19	35287	Screw, Taprite, No. 8-32 x 3/8 In.	42	47852	Bracket, Grille Support, R.H.	65	39829	Wheel w/Bearing
20	39492	Retaining Ring	43	9413834	Locknut, 1/4-18 Thd	66	39979	Bearing
21	44008	Shaft, Steering	44	68027	Decal, Hanger, L.H.	67	40394	Hub Cap
22	464595	Roll Pin	45	68026	Decal, Hanger, R.H.	68	41107	Wheel & Tire Assembly, Fr.
23	44009	Pinion Gear	46	50719	Bracket, Deck Hanger			

*Standard Hardware Items—May Be Purchased Locally.

01 Mar 00 14:17 Anne Campbell 01279726865 P.5

36" RIDING MOWER MODEL 5188-1500



36" RIDING MOWER MODEL 5188-1500

Key No.	Part No.	Description
1	46478	Hand Grip
2	49130	Lever, Clutch
3	9424215	Locknut, 1/4-20 Thd
4	46561	Spring, Clutch Lever
5	9280	Hairpin Cotter
6	47516	Quadram
7	9413447	Locknut, 5/16-18 Thd
8	46563	Shoulder Bolt
9	46350	Spring, Clutch Lever
10	120392	*Flatwasher, 1/4 In
11	47523	Idler Arm Assembly (Includes Items 12 and 13)
12	41471	Brake Pad
13	41601	Rivet, Brake Pad
14	122168	*Screw, Hex Hd, 3/8-16 x 1 1/4 In.
15	46476	Pulley, Idler
16	46477	Belt Retainer
17	9413534	Locknut, 3/8-16 Thd
18	47517	Bracket, Idler Arm
19	47516	Shoulder Bolt
20	46878	Lockwasher, (lockout switch part)
21	46877	Nut, (lockout switch part)

*Standard Hardware Items—May Be Purchased Locally.

Key No.	Part No.	Description
22	35410	Spring
23	41204	Switch, Lockout
24	41482	Clip, Press
25	48851	Wire Assembly
26	47816	Pull Pin
27	49059	Bar Hitch
28	120228	*Screw, Hex Hd, 5/16-18 x 3/8 In.
29	49068	Lock Bracket
30	120918	*Screw, Hex Hd, 3/8-16 x 1 1/2 In.
31	50613	Pivot Bracket
32	48856	Bracket, U/stop
33	47814	Pin, Pivot
34	48675	*Cotterpin, 3/16 x 1 1/4 In.
35	48676	Lift Support, Plate Assembly
36	996416	*Flatwasher, 3/8 In.
37	49878	V-Belt
38	50632	Quill Assembly
39	46285	Cover, Pulley, L.H
40	67944	Decal, Caution
41	122017	*Screw, Hex Hd, 5/16-18 x 1 In.
42	50634	Screw, Taprite, 5/16-18 x 3/8 In.
43	46364	Cover, Pulley, R.H

Key No.	Part No.	Description
44	67476	Decal, Height Adjust
45	46324	Mower Deck
46	46367	Baffle, L.H.
47	38311	Blade, 18 In
48	2483	Formed Washer
49	39573	Screw, Hex Hd, 3/4-24 x 1 In
50	46512	Lift Cable
51	42424	Support, Pivot Tube
52	23783	Wheel Axle
53	39831	Wheel & Tire Assembly, E
54	39522	Pin, Clevis
55	39404	Clevis, Lift Cable
56	121222	*Cotterpin, 3/32 x 3/4 In.
57	120372	*Square Nut, 3/4-20 Thd
58	120123	Cotterpin
59	49824	Chute Extension
60	49673	Pivot Tube Assembly
61	49131	Lever, Height Adjust
62	20250	Hand Grip
63	29170	Spring
64	122040	*Screw, Hex Hd, 5/16-18 x 1 In.