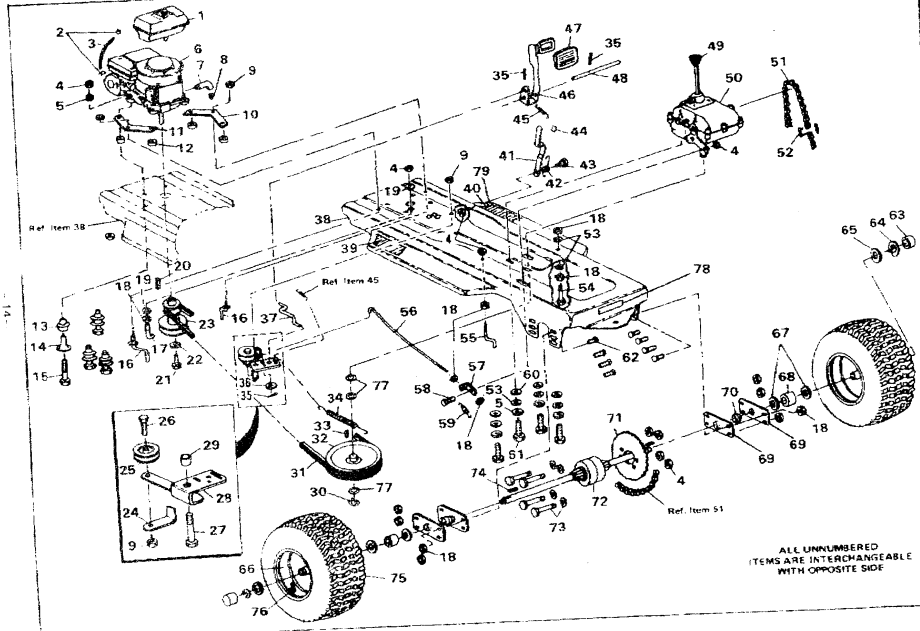


32" RIDING MOWER MODEL 5289-5000



REPAIR PARTS

32" RIDING MOWER MODEL 5289-5000

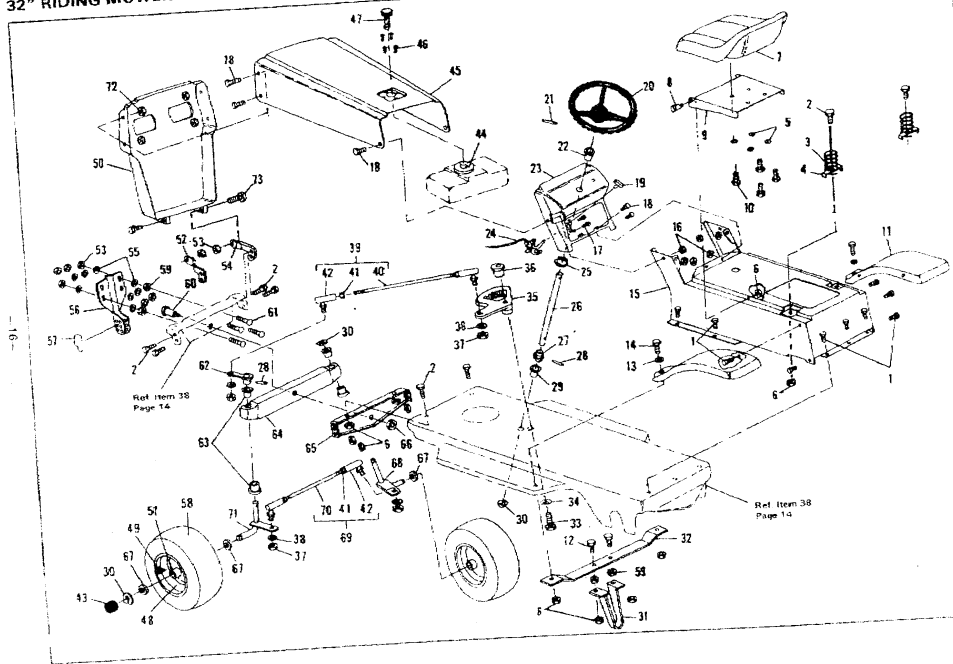
ALWAYS GIVE THE FOLLOWING INFORMATION WHEN ORDERING REPAIR PARTS:
 1. THE PART NUMBER 2. THE PART NAME 3. QUANTITY DESIRED 4. THE MODEL NUMBER - (As shown on Model Plate)
 SEND PART ORDERS AS PER INSTRUCTIONS ON THE FRONT PAGE
 YOUR UNIT IS RIGHT HAND (RH) OR LEFT HAND (LH) AS YOU STAND BEHIND IT.
 DO NOT USE KEY NUMBERS WHEN ORDERING REPAIR PARTS. ALWAYS USE PART NUMBERS.
 All replacement parts will be supplied in current production colors or in a neutral color.
 A handling fee is applicable to small parts orders.

Key No.	Part No.	Description	Key No.	Part No.	Description
1	48812	Gas Tank	53	446363	*Flatwasher, 5/16 in.
2	41008	Clp. Gas Line	54	122089	*Screw, Hex Hd, 5/16-18 x 3 In.
3	50118	Gas Line	55	43991	Belt Guide, Transmission Pulley
4	9413447	Locknut, Hex, 5/16-18 Thd	56	46839	Rod, Brake
5	12-638	*Lockwasher, Split, 5/16 In.	57	46834	Bracket, Brake Rod
6	42989	See Footnote Below	58	25494	Shoulder Bolt
7	23700	Oil Drain Tube	59	2347	Spring, Brake Rod
8	43954	*Pipe Plug, 1/2 In.	60	138495	*Washer, Shakerfoot, 5/16 in.
9	9413534	Locknut, Hex, 3/8-16 Thd	61	122007	*Screw, Hex Hd, 5/16-18 x 1/2 In.
10	43955	Bracket, Vibration, Right	62	958013	*Carriage Bolt, 5/16-18 x 3 In.
11	44015	Mount, Load Carrying, Upper	63	43394	Hub Cap
12	44016	Mounting, Rebound, Lower	64	36625	"E" Ring, 1/2 In.
13	180112	Insert, Steel, Vibration Mount	65	42815	Flatwasher
14	42273	Screw, Hex Hd, 5/16-18 x 2 1/2 In.	66	36182	Wheel
15	50652	Belt Guide, Blade Drive	67	642	Flatwasher
16	49896	Belt Guide, Transmission Drive	68	44449	Spacer
17	271184	Not Hex Keys, 5/16-18 Thd	69	35345	Plate, Bearing Retainer
18	120386	*Flatwasher, 1/2 In.	70	35467	Bearing
19	33209	Key, Engine Pulley	71	39797	Sprocket, 54 Tooth, No. 41
20	123567	Screw, Hex Hd, 7/16-20 x 1 In.	72	Peerless	Peerless, Model 171B
21	120383	Lockwasher, Split	73	Differential	Differential Parts
22	43961	Pulley, Engine	74	39628	Key, 3/16 x 3/16 x 2 1/2 In.
23	39859	Belt Retainer	75	41081	Tire
24	35374	Pulley, Idler	76	24167	Valve Stem
25	120918	*Screw, Hex Hd, 1/2-16 x 1 1/2 In.	77	40577	*Flatwasher, 1/2 In.
26	278328	Shoulder Bolt	78	68542	Decal, Caution
27	46848	Arm, Drive Idler	79	68191	Decal, Brake Pedal
28	43953	Spacer			
29	22053	Retaining Ring			
30	43979	V Belt, Transmission Drive			
31	39266	Pulley, Transmission			
32	3021	Woodruff Key			
33	49276	Spring, Main Drive			
34	121222	*Pin, Cotter, 3/32 x 1/4 In.			
35	120392	Flatwasher			
36	43980	Rod, Clutch			
37	52709	Main Frame			
38	52317	Foot Pad, Left			
39	52316	Foot Pad, Right			
40	43961	Arm, Parking Brake			
41	43968	Spring, Parking Brake			
42	10974	Shoulder Bolt, Parking Brake			
43	68685	Decal, Parking Brake			
44	50562	Spring, Clutch Pedal			
45	52040	Brake, Pedal Assembly			
46	49761	Rubber Pad, Brake Pedal			
47	43956	Shaft, Brake-Clutch Pedal			
48	25483	Knob, Gear Shift			
49	44044	Peerless, Model 757			
50	20307	Chain Assembly			
51		Link (Only), Chain Connector			
52		No. 41			

*Standard Hardware Items - May Be Purchased Locally.
 †Contact Tecumseh/Peerless authorized service dealer for parts and warranty

Replacement engines and parts are obtainable from Engine Manufacturer's authorized Service Stations who are also to be contacted in regard to the Engine Warranty. See your Engine Manual for location of these stations.

32" RIDING MOWER MODEL 5289-5000

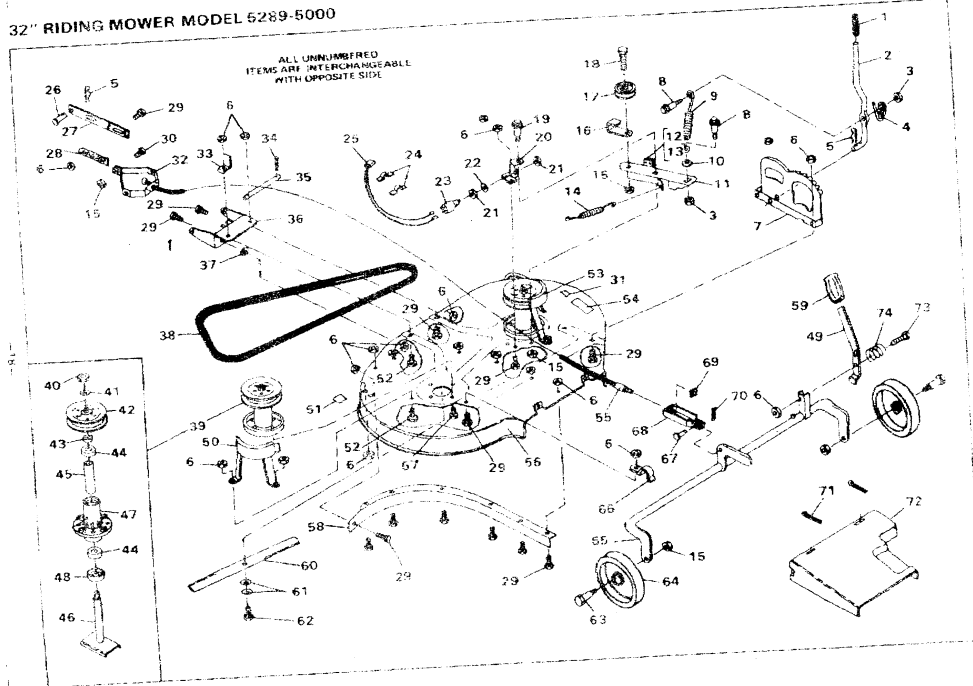


32" RIDING MOWER MODEL 5289-5000

Key No.	Part No.	Description	Key No.	Part No.	Description	Key No.	Part No.	Description
1	995346	*Screw, Taprite, 1/20 x 1/2 In	25	39492	Retaining Ring	49	24167	Valve Stem
2	120228	*Screw, Hex Hd, 5/16-18 x 3/4 In	26	44008	Shaft, Steering	50	52813	Grille
3	52332	Spring, Seat	27	44009	Finion Gear	51	39979	Bearing
4	49339	Clip, Spring	28	454565	Roll Pin	52	47851	Bracket, Grille Support, L/H
5	120638	Lockwasher, Split, 5/16 In	29	39580	Bearing, Steering	53	9413534	Locknut, 3/8-16 Thd
6	9413447	Locknut, 5/16-18 Thd	30	36625	"E" Ring	54	47852	Bracket, Grille Support, R/H
7	52656	Seat	31	49776	Bracket, Deck Guide	55	274517	*Flatwasher, 3/4 In
8	20507	Shoulder Bolt	32	43964	Bracket, Deck Guide Support	56	47830	Bracket, Deck Hanger
9	49736	Seat Bracket	33	39573	Screw, Hex Hd Lock, 1/4-24 x 2 In	57	67164	Decal, Hanger
10	120834	*Screw, Hex Hd, 5/16-18 x 1/2 In	34	2483	Spring Washer	58	41096	Tile
11	43970	Fender	35	44010	Sector Gear	59	271190	Nut, Keys, 3/16 Thd
12	120040	*Screw, Hex Hd, 5/16-18 x 1 1/2 In	36	44011	*Nut, Hex, 3/4 24 Thd	60	29616	Shoulder Bolt, Axle Pivot
13	446363	*Flatwasher, 5/16 In	37	120369	*Lockwasher, Split, 3/4 In	61	45892	Carrage Bolt, 3/8-16 x 1 1/2 In
14	122017	*Screw, Hex Hd, 5/16-18 x 1 In	38	120382	Drag Link Assembly	62	49447	Arm, Steering
15	52703	Console Assembly	39	44059	Drag Link	63	50546	Bearing, Spindle
16	9424215	Locknut, Hex, 3/4 20 Thd	40	44360	Nut, Hex, 3/4 24 Thd	64	44062	Front Axle Assembly
17	35387	Screw, Taprite, No. 8, 32 x 3/8 In	41	124925	Ball Joint	65	43988	Bracket, Front Axle Support
18	48900	Screw, Hex Wa. Hd, 3/4 20 x 1 In	42	21275	Hub Cap	66	274654	Locknut, Hex, 3/4-20 Thd
19	39486	Knob, Throttle Control Lever	43	40394	Pad, Vibration	67	642	Flatwasher
20	47083	Steering Wheel	44	44843	Hood	68	44002	Spindle, Right
21	456836	Roll Pin	45	50721	Screw, Plastite, 1/4-10 x 3/4 In	69	48762	Tie Rod Assembly
22	39432	Bearing, Steering	46	49050	Gas Gauge	70	48764	Tie Rod
23	52643	Dash Assembly	47	50988	Wheel w/Bearing	71	44004	Spindle, Left
24	50117	Lever, Throttle Control	48	39937		72	50352	Locknut, Flange, 3/4-20
						73	120232	Screw, Hex Hd, 3/8-16 x 1 In

*Standard Hardware Items - May Be Purchased Locally

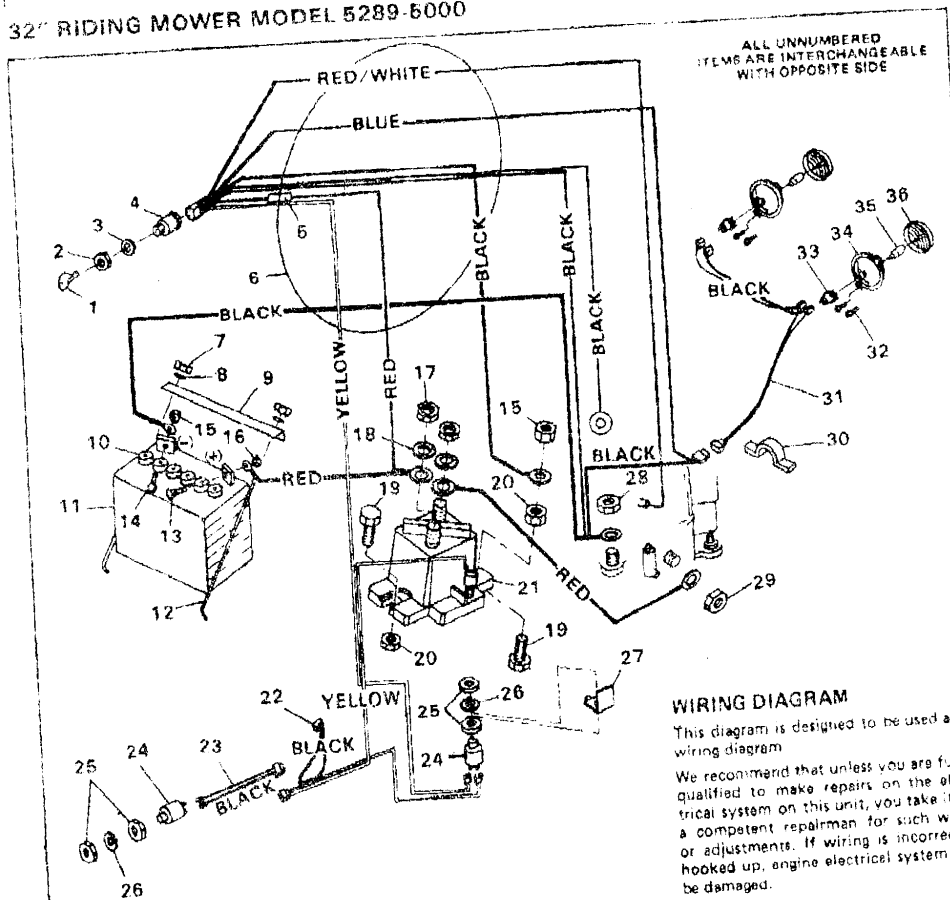
32" RIDING MOWER MODEL 5289-5000



32" RIDING MOWER MODEL 5289-5000

Key No.	Part No.	Description	Key No.	Part No.	Description	Key No.	Part No.	Description
1	46478	Hand Grip	27	43069	Bar Hitch	53	47352	Cover, Pulley R.H.
2	49130	Lever, Clutch	28	4306R	Lock Bracket	54	68543	Detail, Height Adjust
3	9424215	Locknut, 1/2-20 Thd	29	120228	Screw, Hex Hd, 5/16-18 x 3/4 In	55	53037	Lift Cable
4	46561	Spring, Clutch Lever	30	120918	Screw, Hex Hd, 3/16 x 1 1/2 In	56	47223	Mower Deck
5	8260	Hairpin Cotter	31	68913	Decal, Blade Engage	57	50634	Screw, Torqrite, 5-16-18 x 1/2 In
6	9413447	Locknut, 5/16-18 Thd	32	50613	Pivot Bracket	58	47354	Baffle, L.H.
7	51986	Quadrant	33	50555	Bracket, Upstop	59	20250	Hand Grip
8	46563	Shoulder Bolt	34	48675	Cotterpin, 3/16 x 1 1/4 In	60	42433	Blade, 16 In.
9	47357	Spring, Clutch Lever	35	47814	Pin, Pivot	61	2483	Formed Washer
10	120392	Flatwasher, 1/4 In	36	48676	Lift Support, Plate Assembly	62	39573	Screw, Hex Hd, 3/8-24 x 1 In
11	53055	Idler Arm Assy (incl. Nos. 12 & 13)	37	996415	Flatwasher, 3/8 In	63	23763	Wheel Axle
12	41477	Brake Pad	38	47390	V-Belt	64	52584	Wheel, 6 In.
13	41601	Rivet, Brake Pad	39	51438	Quill Assy (incl. Nos. 40-48)	65	52612	Pivot Tube Assembly
14	35410	Spring	40	51445	Nut, 7/16-20 Thd	66	51985	Support, Pivot Tube
15	9413534	Locknut, 3/16 Thd	41	446248	Flatwasher	67	39522	Pin, Clevis
16	46477	Belt Retainer	42	51442	Pulley	68	39404	Clevis, Lift Cable
17	46476	Pulley, Idler	43	49562	Spacer	69	120372	Square Nut, 1/2-20 Thd
18	122168	Screw, Hex Hd, 3/8-16 x 1 1/2 In	44	51441	Spacer	70	121222	Cotterpin, 3/32 x 3/4 In
19	47516	Shoulder Bolt	45	50818	Spacer	71	120123	Cotterpin
20	47517	Bracket, Idler Arm	46	51439	Saddle & Shaft Assembly	72	51389	Chute Extension
21	45877	Nut, Lockout Switch part	47	50088	Quill Housing	73	122040	Screw, Hex Hd, 5/16-18 x 1 In
22	45878	Lockwasher, Lockout Switch part	48	50616	Dust Shield	74	29170	Spring
23	41204	Switch, Lockout	49	49131	Lever, Height Adjust			
24	41482	Clip, Press	50	47353	Cover, Pulley, L.H.			
25	43038	Wire Assembly	51	68542	Decal, Caution			
26	47815	Pin, Pin	52	122017	Screw, Hex Hd, 5/16-18 x 1 In			

32" RIDING MOWER MODEL 5289-6000



WIRING DIAGRAM
 This diagram is designed to be used as a wiring diagram.
 We recommend that unless you are fully qualified to make repairs on the electrical system on this unit, you take it to a competent repairman for such work or adjustments. If wiring is incorrectly hooked up, engine electrical system can be damaged.

Key No.	Part No.	Description	Key No.	Description
1	49643	Key, Ignition	19	*Screw, Hex Hd, 1/4-20 x 1 In.
2	48140	Locknut (Switch Part)	20	8424215 Locknut, Hex, 1/4-20 Thd.
3	138557	Lockwasher (Switch Part)	21	52323 Solenoid
4	52583	Switch, Ignition w/Keys	22	42071 Wire Assembly, By-Pass
5	48211	Fuse	23	43038 Wire Assembly, Deck Switch
6	52790	Wire Harness Assembly	24	41204 Switch, Lockout
7	987208	*Wing Nut, Nylock, 1/4-20 Thd	25	46877 Nut (Lockout Switch Part)
8	120386	*Flatwasher, 1/4 In.	26	45878 Lockwasher (Lockout Switch Part)
9	40243	Bracket, Battery, Hold-Down	27	49734 Bracket, Switch Mounting
10	40892	Cap, Battery	28	9413447 Locknut, Hex, 5/16-18 Thd
11	52936	Battery	29	Engine Part
12	40234	Battery Rod	30	41462 Wire Clip, Press
13	126216	*Carriage Bolt, 5/16-18 x 3/4 In.	31	52800 Lead Wire, Headlight
14	126203	*Carriage Bolt, 1/4-20 x 3/8 In.	32	50882 Screw, Hex Wa Hd No. 10-14 x 3/4 In.
15	271172	*Nut, Keps, 1/4-20 Thd	33	52573 Socket, Headlight
16	271184	*Nut, Keps, 5/16-18 Thd	34	52571 Bezel, Headlight
17	120366	Locknut, Hex, 5/16-24 Thd	36	52572 Bulb, Headlight
18	120638	*Lockwasher, Split, 5/16 In.	36	62570 Lens, Headlight

*Standard Hardware Items - May Be Purchased Locally.