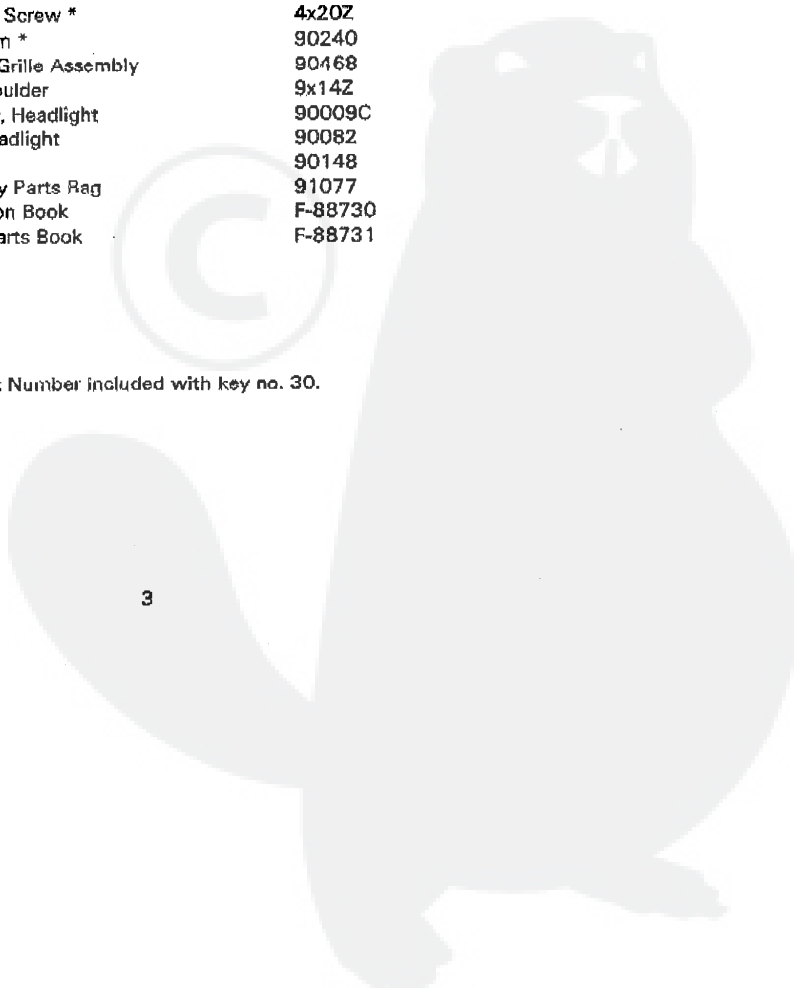


KEY NO.	DESCRIPTION	PART NO.
1	Seat	91450
2	Support, Seat	91044
3	Locknut, Flange	15x84
4	Bolt, Shoulder	9x17
5	Bolt, Hex	1x45
6	Washer	17x47Z
7	Lockwasher	18x16
8	Frame Channel	90001
9	Screw	26x49
10	Bracket, Seat Pivot	90031
11	Seat Deck	90182
14	Support, Seat Deck	90633
15	Bolt, Carriage	2x53Z
16	Locknut	15x76
18	Battery Clamp	90632Z
19	Locknut, Flange	15x88
20	Dashboard Assembly	90737
21	Bearing, Steering Post	90081
22	Screw	26x186
23	Battery Clip	55149
24	Latch, Right Hood *	90464Z
25	Latch, Left Hood *	90465Z
26	Washer *	17x17Z
27	Hex Nut *	15x81
28	Machine Screw *	4x20Z
29	Edge Trim *	90240
30	Hood & Grille Assembly	90468
31	Bolt, Shoulder	9x14Z
32	Reflector, Headlight	90009C
33	Lens, Headlight	90082
34	Mat	90148
--	Assembly Parts Bag	91077
--	Instruction Book	F-88730
--	Repair Parts Book	F-88731

* Part Number included with key no. 30.



MODEL NO. 8-31517x

1/11

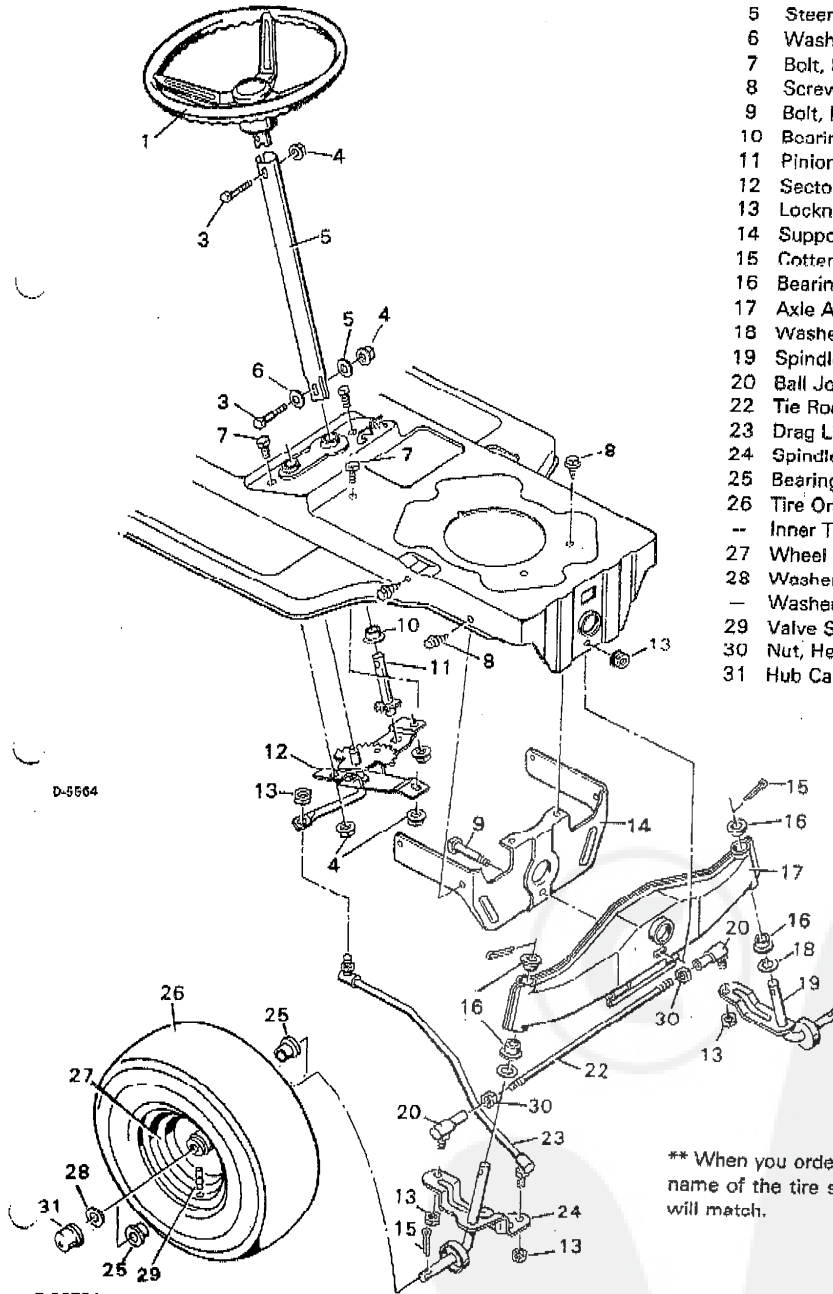
STEERING

D-5250

KEY
NO. DESCRIPTION

PART
NO.

1	Steering Wheel	90576
3	Bolt, Hex	1x102
4	Locknut	15x88
5	Steering Post	91444
6	Washer	17x47
7	Bolt, Hex	1x45
8	Screw	26x49
9	Bolt, Hex	1x101
10	Bearing	90035
11	Pinion Gear & Shaft	91445
12	Sector Gear Assembly	90025
13	Locknut, Flange	15x87
14	Support, Front Axle	90002
15	Cotter Pin	30x40
16	Bearing	90035
17	Axle Assembly	90034
18	Washer	17x113
19	Spindle, Left	91463
20	Ball Joint	21031
22	Tie Rod	21475T
23	Drag Link Assembly	91216
24	Spindle, Right	91462
25	Bearing	91334
26	Tire Only **	24407
--	Inner Tube	407046
27	Wheel Only	90726
28	Washer, Hub Caps Only	17x115
--	Washer, Without Hub Caps	17x83Z
29	Valve Stem & Cap	24373
30	Nut, Hex	15x61
31	Hub Cap, Optional	21662



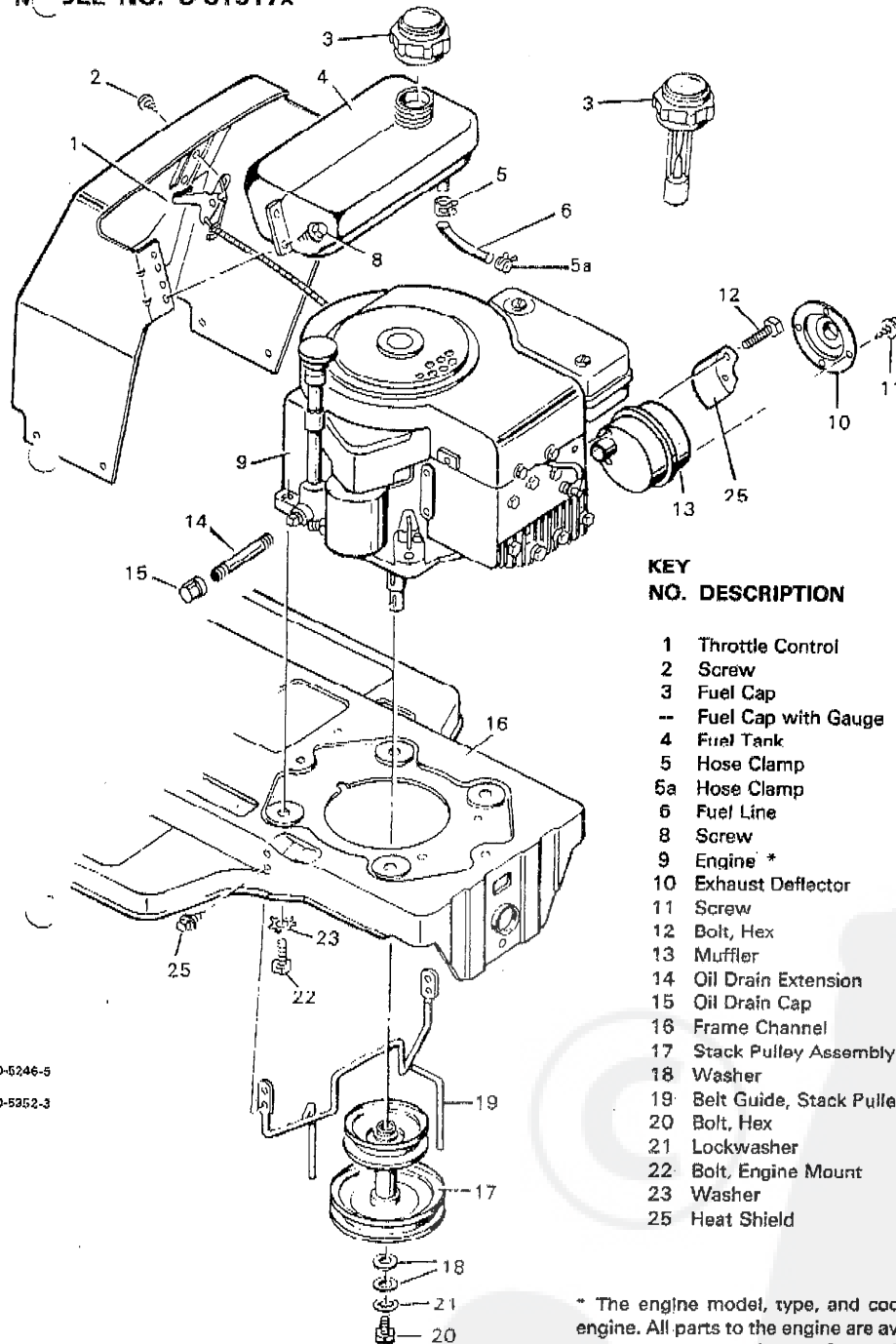
D-5564

F-88731

** When you order a tire, make sure to give the brand name of the tire so that the tread pattern on the tire will match.

M DEL NO. 8-31517x

ENGINE MOUNT



KEY NO.	DESCRIPTION	PART NO.
1	Throttle Control	90728
2	Screw	26x159
3	Fuel Cap	23711
--	Fuel Cap with Gauge	24064
4	Fuel Tank	23300
5	Hose Clamp	91174
5a	Hose Clamp	23713
6	Fuel Line	90671
8	Screw	28x214
9	Engine *	
10	Exhaust Deflector	23740 Z
11	Screw	26x203
12	Bolt, Hex	1x118
13	Muffler	90330
14	Oil Drain Extension	24066
15	Oil Drain Cap	21651
16	Frame Channel	90001
17	Stack Pulley Assembly	91657 Z
18	Washer	17x103
19	Belt Guide, Stack Pulley	90276 Z
20	Bolt, Hex	1x80
21	Lockwasher	19x35
22	Bolt, Engine Mount	25x6
23	Washer	19x8
25	Heat Shield	90332

* The engine model, type, and code numbers are on the engine. All parts to the engine are available from a Briggs & Stratton Authorized Service Center. See "Engines, Gasoline" or "Gasoline Engines" in the yellow pages of the telephone directory.

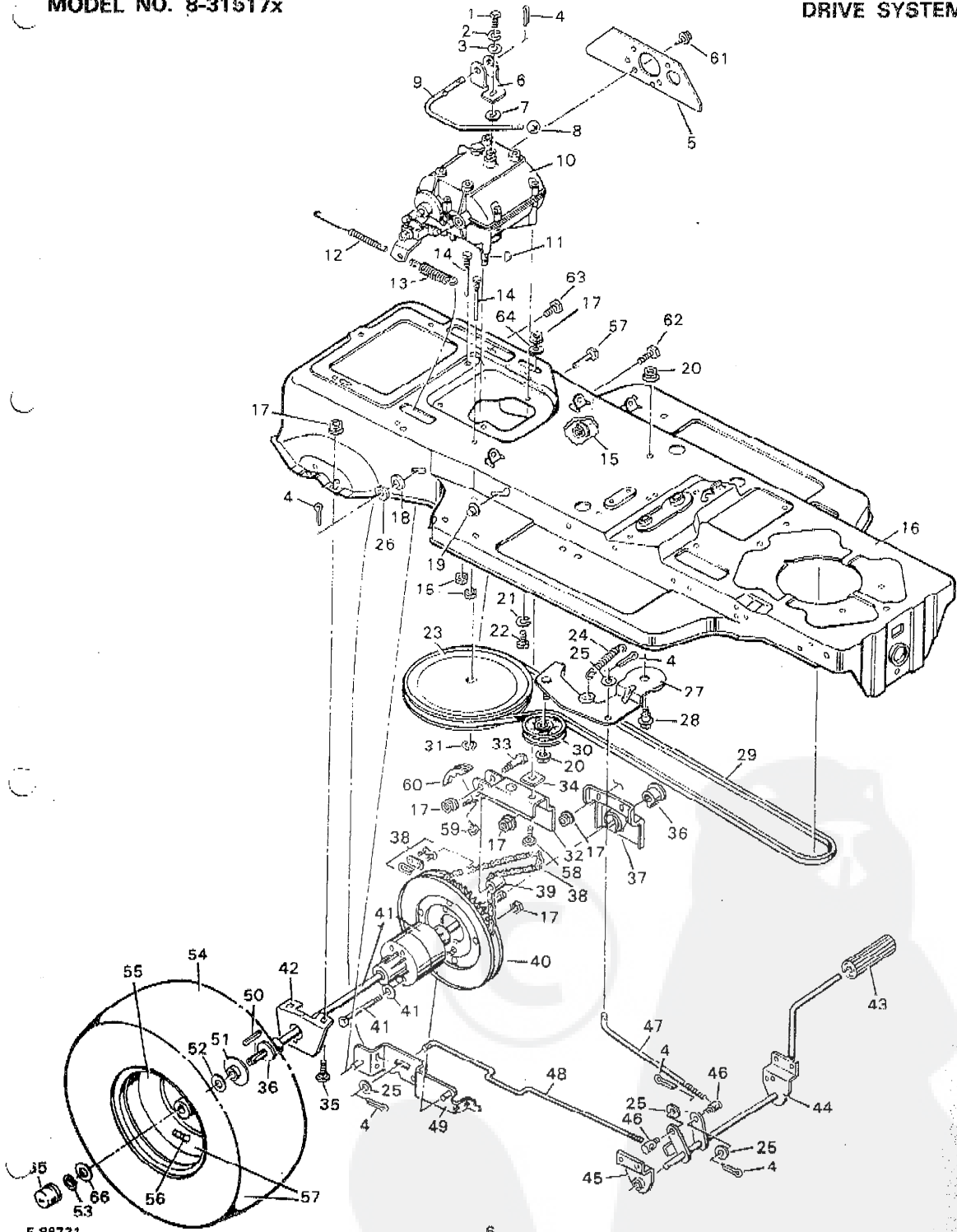
>5246-5

>5352-3

F-88731

MODEL NO. 8-31517x

DRIVE SYSTEM



F-88731

MODEL NO. 8-31517x

DRIVE SYSTEM

KEY NO. DESCRIPTION	PART NO.	KEY NO. DESCRIPTION	PART NO.
1 Bolt, Hex	1x82	35 Bolt, Carriage ***	2x53
2 Lockwasher	18x32	36 Bearing, Axle	55597
3 Washer	17x37 Z	37 Plate, Left Bearing	90678 Z
4 Pin, Cotter	30x20	38 Chain and Link	90348
5 Chain Guide	90681	39 Roller ***	90176
6 Shifter Yoke	90183 Z	40 Sprocket, 50 Tooth	55621
7 Washer	17x134	41 Differential, Peerless Model 100-011 *	
8 Knob, Shift Lever	20739	42 Plate, Right Bearing	90346 Z
9 Lever, Shift	90192 Z	43 Pedal, Clutch/Brake	21544
10 Transmission, Peerless Model 754-B *		44 Lever Assembly	90766
11 Woodruff Key #9	20697	45 Bracket, Support	90013
12 Spring	165x34	46 Nut, Adjustable	21920
13 Spring	165x7	47 Rod, Clutch	90066 Z
14 Bolt, Belt Guide	20619	48 Rod, Brake	90067 Z
15 Locknut, Flange	15x79 Z	49 Brake Link Assembly	90068 Z
16 Frame Channel	90001	50 Key, Square	21553
17 Locknut, Flange ***	15x88	51 Washer, Extruded	23041 Z
18 Washer	17x47 Z	52 Washer	17x113
19 Retainer, Cap	28x48	53 E-Ring	11x3
20 Nut, Flange	15x84	54 Tire Only **	24393
21 Lockwasher	18x15	Tube, Tire	407048
22 Bolt, Hex	1x91	55 Wheel Only	24391
23 Pulley, Drive	91170	56 Valve Stem and Cap	24373
24 Spring, Extension	165x39	57 Bolt, Shoulder	9x32
25 Washer	17x53 Z	58 Bolt, Carriage	2x72
26 Washer	17x116 Z	59 Screw ***	26x214
27 Bracket Assembly, Idler	90011 Z	60 Guide Block ***	23403
28 Bolt, Shoulder	9x12	61 Screw	25x4
29 Belt, Drive	37x27	62 Bolt, Hex	1x84
30 Pulley, Idler	91179	63 Bolt, Hex	1x45
31 Ring, Retainer	11x7	65 Hub Cap, Optional	21662
32 Bracket, Chain Idler	90480	66 Washer, for models with hub caps	17x115
33 Bolt, Shoulder ***	9x22		
34 Spacer	90177 Z		

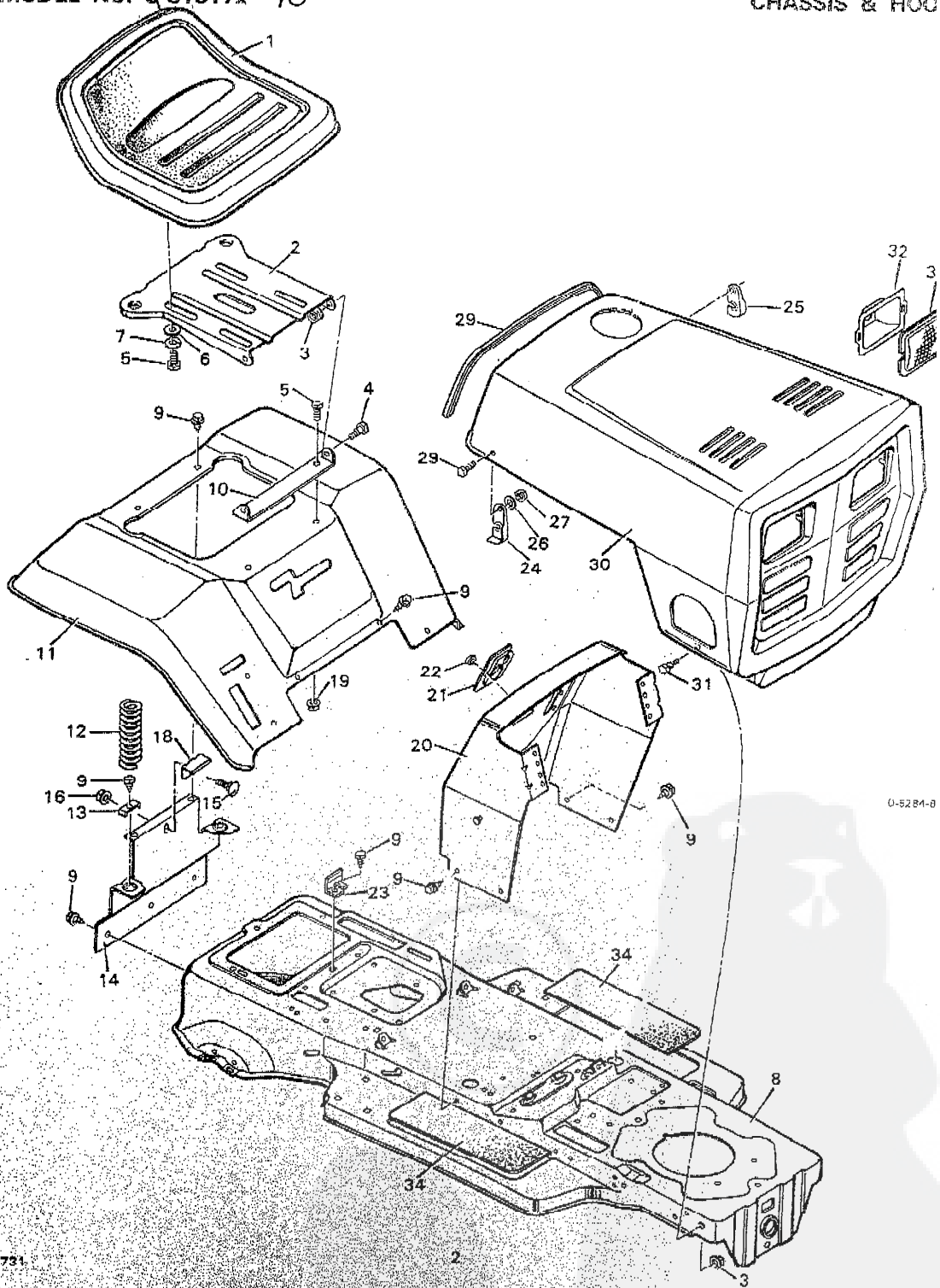
Parts are available from a Tecumseh Authorized Service Center. See "Engines, Gasoline" or "Gasoline Engines" in the yellow pages of the telephone directory.

* When you order a tire, make sure to give the brand name of the tire so that the tread pattern on the tire will match.

** Part is also included with key no. 32.

MODEL NO. 6-31517x 70

CHASSIS & HOOD



0-5284-0

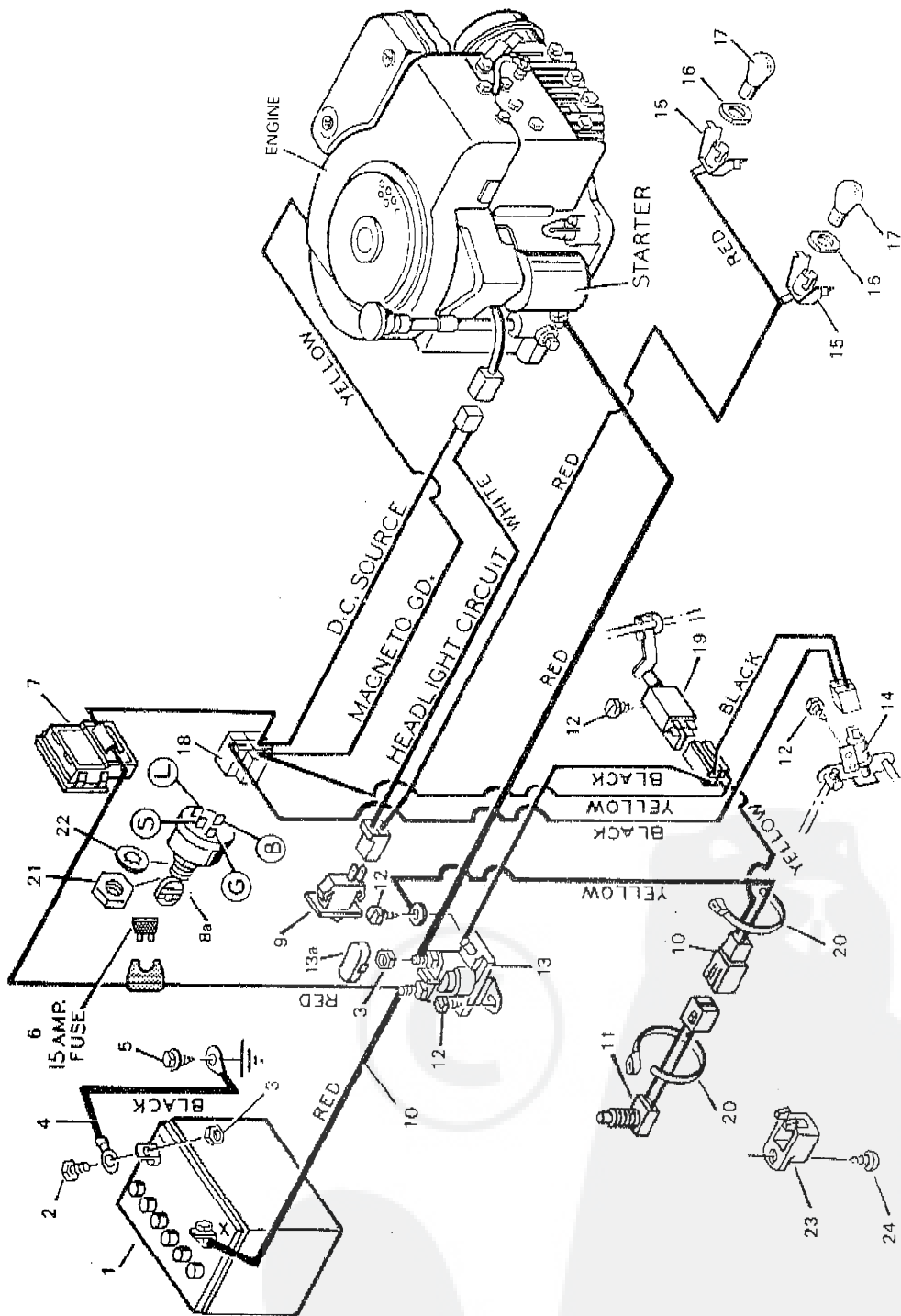
4-88731

2

MODEL NO. 8-31517x

WIRING DIAGRAM

D-5281-0



F-88731

8

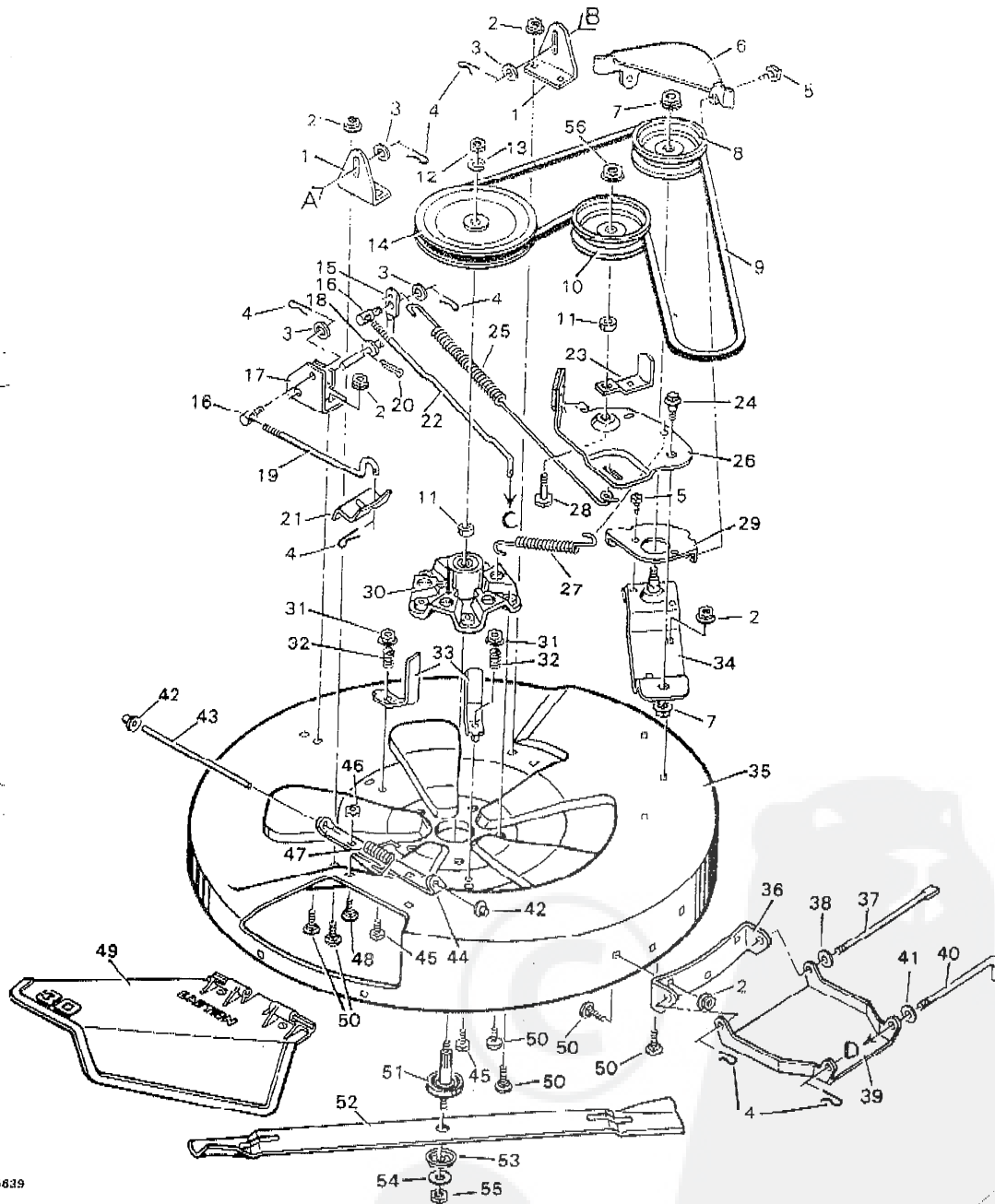
MODEL NO. 8-31517x

WIRING DIAGRAM

KEY NO.	DESCRIPTION	PART NO.
1	Battery Type U1-9	21075
--	Electrolyte (Battery Acid)	90665
--	Battery Caps	400262
2	Bolt, Hex	1x38
3	Locknut	15x86
4	Battery Cable, Black	24x9
5	Screw	26x49
6	Fuse	54212
--	Holder, Fuse	407078
7	Ammeter Assembly	90729
8	Ignition Switch	21064
8a	Key Only	20729
9	Light Switch	90647
10	Wire Harness	250x2
11	Switch, Seat	S91031
12	Screw	26x233
13	Solenoid	24285
13a	Cover, Solenoid	90565
14	Switch, Limit	24273
15	Light Socket Assembly	90155
16	Washer, Light Socket	90228
17	Headlight Bulb	90084
18	Wiring Harness	250x1
19	Switch, PTO	91298
20	Tie Strap	32618
21	Nut, Hex	15x105
22	Washer, Star	19x40
23	Cover, Seat Switch	56062
24	Screw	26x153

MODEL NO. 8-31517x 70

MOWER HOUSING



D-5639

F-88731

MODEL NO. 8-31517x

MOWER HOUSING

KEY NO.	DESCRIPTION	PART NO.	KEY NO.	DESCRIPTION	PART NO.
1	Bracket, Lifter *	91180	31	Nut, Locknut	15x88
2	Nut, Hex *	15x79 Z	32	Spring, Compression	164x1
3	Washer	17x53 Z	33	Belt Guide	91189 Z
4	Pin, Hair	31x4	34	Idler Support	91191
5	Screw	26x214	35	Housing, Blade *	91469
6	Cover, Pulley	91188	36	Bracket, Front Hanger *	91183
7	Locknut	15x84	37	Rod, Hanger	90107 Z
8	Pulley, Idler	90315	38	Washer	17x57 Z
9	Belt, Blade Drive	37x59	39	Hanger, Front	90232
10	Pulley, Idler	90118	40	Pin, Pull	90827 Z
11	Spacer, Bearing	55273 Z	41	Washer	17x122 Z
12	Locknut	15x101	42	Cap, Push On	28x23
13	Lockwasher	18x33	43	Rod, Deflector	21197 Z
14	Pulley, Splined	55452	44	Bracket, Deflector	55963
15	Lever, Pivot	91182 Z	45	Bolt, Hex	1x75
16	Nut, Adjustable	21920	46	Nut, Locknut	15x43
17	Bracket, Rear Support *	91184	47	Spring, Torsional	166x4
18	Washer	17x102 Z	48	Bolt, Carriage	2x58
19	Link, Deck	90261 Z	49	Deflector, Chute	55971
20	Pin, Cotter	30x20	50	Bolt, Carriage *	2x53
21	Retainer, Link	90262 Z	51	Mandrel, Splined	55445
22	Rod, Blade Control	91186 Z	52	Blade, 30"	66060 HT
23	Guide, Belt	91195	53	Washer, Belleville	17x155
24	Bolt, Shoulder	9x12	54	Washer, Hardened	17x154
25	Spring, Extension	165x69	55	Nut, Hex	15x100
26	Idler Assembly	91193	56	Nut, Hex	15x41
27	Spring, Extension	165x70	1-56	Mower Housing, Complete	403209 403227
28	Bolt, Hex	1x127			
29	Plate, Shield Mounting	91187			
30	Housing, Mandrel	55962			

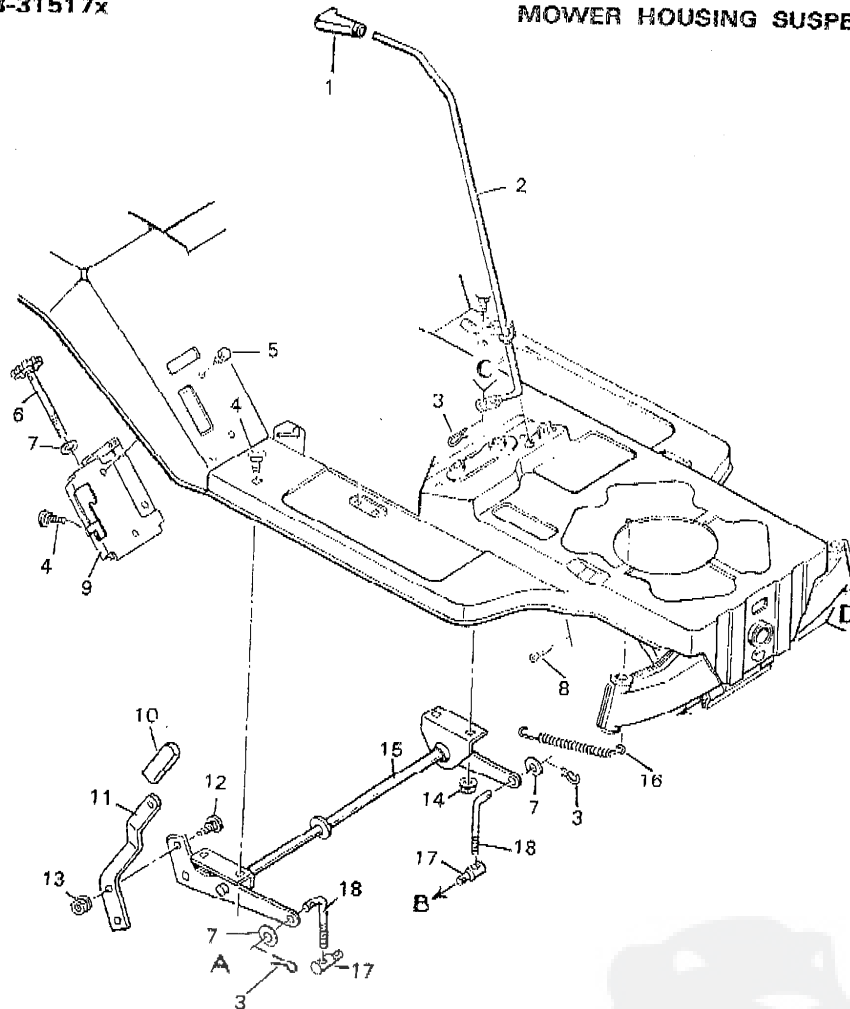
* The part is also included with key no 35.

**The complete mower housing includes key numbers 1-56 on this page and also the parts shown with an asterisk * on the MOWER HOUSING SUSPENSION page.

MODEL NO. 8-31517x

MOWER HOUSING SUSPENSION

D-5407-2


**KEY
NO. DESCRIPTION**

1	Grip, Blade Engagement Control
2	Lever, Blade Engagement Control
3	Hair Pin *
4	Bolt, Carriage
5	Screw
6	Adjuster Screw Assembly
7	Washer *
8	Cotter Pin
9	Bracket Assembly, Adjuster
10	Grip, Lifter Handle

**PART
NO.**

20476
90030Z
31x4
2x64
26x49
90078Z
17x53Z
30x20
404063
91573

**KEY
NO. DESCRIPTION**

11	Handle
12	Bolt, Carriage
13	Locknut
14	Nut, Hex
15	Lifter Assembly
16	Spring
17	Nut, Adjustable *
18	Rod, Adjuster *

**PART
NO.**

90800HT
2x57
15x84
15x79Z
90826
165x32
21920
23704Z

*Parts that have an asterisk * in the description are included with the complete mower housing. See the parts list for the mower housing.