

# REPAIR PARTS MANUAL 8 H.P. LAWN TRACTOR With 30" Mower Deck MODEL A3008-000

## TWO YEAR LIMITED WARRANTY

For two (2) years from date of purchase by the first consumer for residential use (thirty (30) days commercial use), NOMA Outdoor Products Incorporated warrants that it will replace free of charge, including labor, any original part of any NOMA Outdoor Products Incorporated product found to be defective by any authorized Service Dealer or the factory, except the battery which is warranted for ninety (90) days from date of purchase.

This warranty does not cover engine, transmission, transaxle or differential (these items are covered by their manufacturer's own warranty). This warranty does not cover parts that have failed due to normal wear or parts that have failed subject to misuse or abuse. Transportation of the unit or part to and from an authorized Service Dealer or factory is the responsibility of the owner.

A step by step explanation as to what procedure should be followed for this Warranty is:

1. If a part becomes defective, contact the store where the unit was purchased for the name and address of the authorized Service Dealer nearest to you.
2. If you cannot locate an authorized Service Dealer, write Service Department of NOMA Outdoor Products Incorporated for the name and address of the authorized Service Dealer in your area or call the Service Department at 1-901-422-1690.
3. Return the defective product, along with proof of purchase to such authorized Service Dealer for replacement of any defective part where covered by this warranty.

There is no other express warranty. Implied warranties, including those of merchantability and fitness for a particular purpose are limited to two (2) years from date of purchase. Liability for incidental or consequential damages are excluded.

Some states do not allow limitations on how long an implied warranty lasts, so the above limitation may not apply to you. Some states do not allow the exclusion of incidental or consequential damages, so the above exclusion may not apply to you. This warranty gives you specific legal rights, and you may have other rights which vary from state to state.

NOMA Outdoor Products Incorporated

Caller 8000

Jackson, TN 38308-8000

## UNIT PARTS AND SERVICE

This manual contains instructions for safety, assembly and maintenance. Read this manual carefully and completely so that you will know proper assembly, use and care of your unit. Also fill in and mail the registration card packed with the unit. For service other than covered in this manual, contact an authorized service dealer. A nationwide parts and service organization has been established to provide locally available parts and service. A list of authorized parts distributors has been included in this manual. When ordering repair parts, always give the following information: 1. The Part Name; 2. The Part Number; 3. The Quantity desired; 4. The Full (eight digit) Model Number of the unit. The model number will be found on a plate attached to the unit.



**Look for this symbol. It means - ATTENTION! BECOME ALERT! A HAZARD TO OPERATOR, BYSTANDER, PROPERTY OR EQUIPMENT MAY EXIST.**

NOMA Outdoor Products Incorporated  
Caller 8000  
Jackson, TN 38308-8000

Part No. 312947

5289

Price \$2.00

Printed in U.S.A.



## OPERATIONAL PRECAUTIONS



THESE INSTRUCTIONS ARE FOR YOUR PROTECTION. PLEASE READ THEM CAREFULLY.

1. Know the controls and how to stop quickly. READ THIS OPERATOR'S MANUAL and instructions furnished with attachments.
2. Wear safety glasses or eye shields when assembling or operating riding mower.
3. Do not allow children to operate the machine. Do not allow adults to operate it without proper instruction.
4. Do not carry passengers. Do not mow when children and others are around. Disengage power to blade(s) or attachment(s) and stop the engine while others are in the vicinity of the mower.
5. Battery fluid (electrolyte) is an ACID and is extremely dangerous. Do not smoke while servicing the battery. Do not service the battery near a open flame or spark.
6. Handle gasoline with care, it is highly flammable.
  - A. Use approved gasoline container.
  - B. Never remove the fuel cap of, or add gasoline to, a running or hot engine, or an engine that has not been allowed to cool for several minutes after running. Never fill the tank indoors and always clean up spilled fuel immediately.
  - C. Do not smoke while filling fuel tank.
  - D. Do not run the engine indoors. Open doors if engine must be run in garage. Exhaust fumes contain CARBON MONOXIDE, an ODORLESS and DEADLY GAS.
7. Check fuel supply before each use allowing space for expansion as the heat of the engine and/or sun can cause gasoline to expand.
8. Do not operate mower when barefooted. Always wear substantial footwear, preferably steel-toed shoes. Do not wear loose fitting clothing that could get caught in moving parts.
9. Clear the work area of objects (wire, rocks, etc.) which might be picked up and thrown. Check all controls for proper function.
10. Disengage all attachment clutches, shift to neutral, and set parking brake before attempting to start the engine (motor). When starting engine equipped with a pull starter, stand firm and make sure your feet are well away from the blade(s).
11. Disengage power to blade(s) or other attachments(s) and stop the engine (motor) before leaving the operator's position. Always dismount from the left side.
12. Disengage power to blade(s) or other attachment(s) and stop the engine (motor) before making any repairs or adjustments.
13. Disengage power to blade(s) or other attachment(s) when transporting or not in use.
14. Take all possible precautions when leaving the vehicle unattended, such as disengaging power to blade(s) or attachment(s), lower the attachment(s), setting the parking brake, stopping the engine (motor), and removing the key.
15. Do not stop or start suddenly when going uphill or downhill. Mow up and down the face of steep slopes; never across the face.
16. Reduce speed and exercise extreme caution on slopes and in sharp turns to prevent tipping or loss of control. Be especially cautious when changing direction on slopes.
17. Stay alert for holes, rocks, and roots in the terrain and other hidden hazards. Keep away from drop-off. Never operate your riding mower on wet or slippery grass or at a speed which could cause a skid. Exercise care when mowing around a fixed object to prevent the blade(s) from striking it. Never deliberately run over any foreign object.
18. Always disengage blade control lever before attempting to remove the mower from a hole or other obstruction.
19. Use care when pulling loads or using heavy equipment.
  - A. Use only approved drawbar hitch points.
  - B. Limit loads to those that you can safely control.
  - C. Do not turn sharply. Use care when backing.
  - D. Use counterweight(s), wheel weights or tire chains when suggested in attachment(s) instructions.
20. Watch for traffic when crossing or near roadways.
21. When using attachment(s), never direct discharge of material toward bystanders nor allow anyone near the vehicle while in operation.
22. Keep the vehicle and attachments in good operating condition, and keep safety devices in place and in working condition.
23. Keep all nuts, bolts, and screws tight to be sure the equipment is in safe working condition.
24. Never store the equipment with gasoline in the tank inside a building where fumes may reach an open flame or spark. Allow the engine to cool before storing in any enclosure.
25. To reduce fire hazard, keep the engine free of grass, leaves or excessive grease.
26. The vehicle and attachments should be stopped and inspected for damage after striking a foreign object, and the damage should be repaired before restarting and operating the equipment.
27. Do not change the engine governor settings or overspeed engine.
28. When using the vehicle with mower, proceed as follows:
  - A. Mow only in daylight or in good artificial light.
  - B. Never make a cutting height adjustment while the engine (motor) is running if the operator must dismount to do so.
  - C. Shut the engine (motor) off when removing the grass catcher or unclogging chute.
  - D. Check the blade mounting bolts for proper tightness at frequent intervals.
29. Under normal usage, the grass catcher bag material is subject to deterioration and wear. Check the bag frequently for deterioration and wear and replace worn bags. Check that replacement bags comply with the original manufacturer's recommendations or specifications.
30. Disengage power to mower before backing up. Do not mow in reverse unless absolutely necessary and then only after careful observation of the entire area behind the mower.

## OWNER'S INFORMATION

Record the following information about your unit so that you will be able to provide it in case of loss or theft.

MODEL NUMBER:  -  (Enter complete 8 digit number from model plate on unit)

PURCHASE DATE: \_\_\_ / \_\_\_ / \_\_\_ CODE NO.: \_\_\_\_\_ SERIAL NO.: \_\_\_\_\_

DEALER'S NAME AND ADDRESS: \_\_\_\_\_

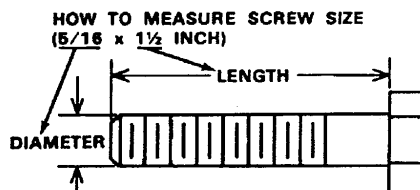
CITY: \_\_\_\_\_ STATE: \_\_\_\_\_ TELEPHONE: \_\_\_\_\_

### CONTENTS OF SHIPPING CARTON

- 1 - Tractor (with 30 inch deck)
- 1 - Operator's Manual
- 1 - Repair Parts Manual
- 1 - Engine Manual
- 1 - Steering Wheel (with roll pin partially installed)
- 1 - Seat
- 1 - Chute Deflector
- 1 - Battery
- 1 - Battery Acid Pack
- 1 - Bag of Assembly Parts Containing:
  - 1 - Oil Drain Trough
  - 1 - Push Nut (chute deflector)
  - 1 - Rubber Strap with S-Hooks (battery)
- 1 - Bag of Battery Cable Installation Parts Containing:
  - 2 -  $\frac{1}{4}$  - 20 x  $\frac{5}{8}$  inch Hex Head Screws
  - 2 -  $\frac{1}{4}$  - 20 inch Keps, Nuts (star washer attached)
- 1 - Bag of Seat Mounting Parts Containing:
  - 4 -  $\frac{5}{16}$  - 18 x  $\frac{3}{4}$  inch Hex Head Screws
  - 4 -  $\frac{21}{64}$  inch Split Lockwashers
  - 4 -  $\frac{11}{32}$  inch Flatwashers

### TOOLS REQUIRED FOR ASSEMBLY

- 1 -  $\frac{7}{16}$  inch Wrench (or adjustable wrench)
- 1 -  $\frac{1}{2}$  inch Wrench (or adjustable wrench)
- 1 -  $\frac{3}{4}$  inch Wrench (or adjustable wrench)
- 1 - Hammer



### DANGER



This riding mower can be dangerous if carelessly used.

Read your Owner's Manual thoroughly before operating your riding mower.

Always wear safety glasses or eye shields while assembling or operating your riding mower.

DO NOT carry passengers at any time.

Keep your hands, feet, hair and loose clothing away from the discharge area, the underside of the mower deck or any moving parts while the engine is running.

DO NOT allow children or young teenagers to operate or be near your riding mower while it is operating.

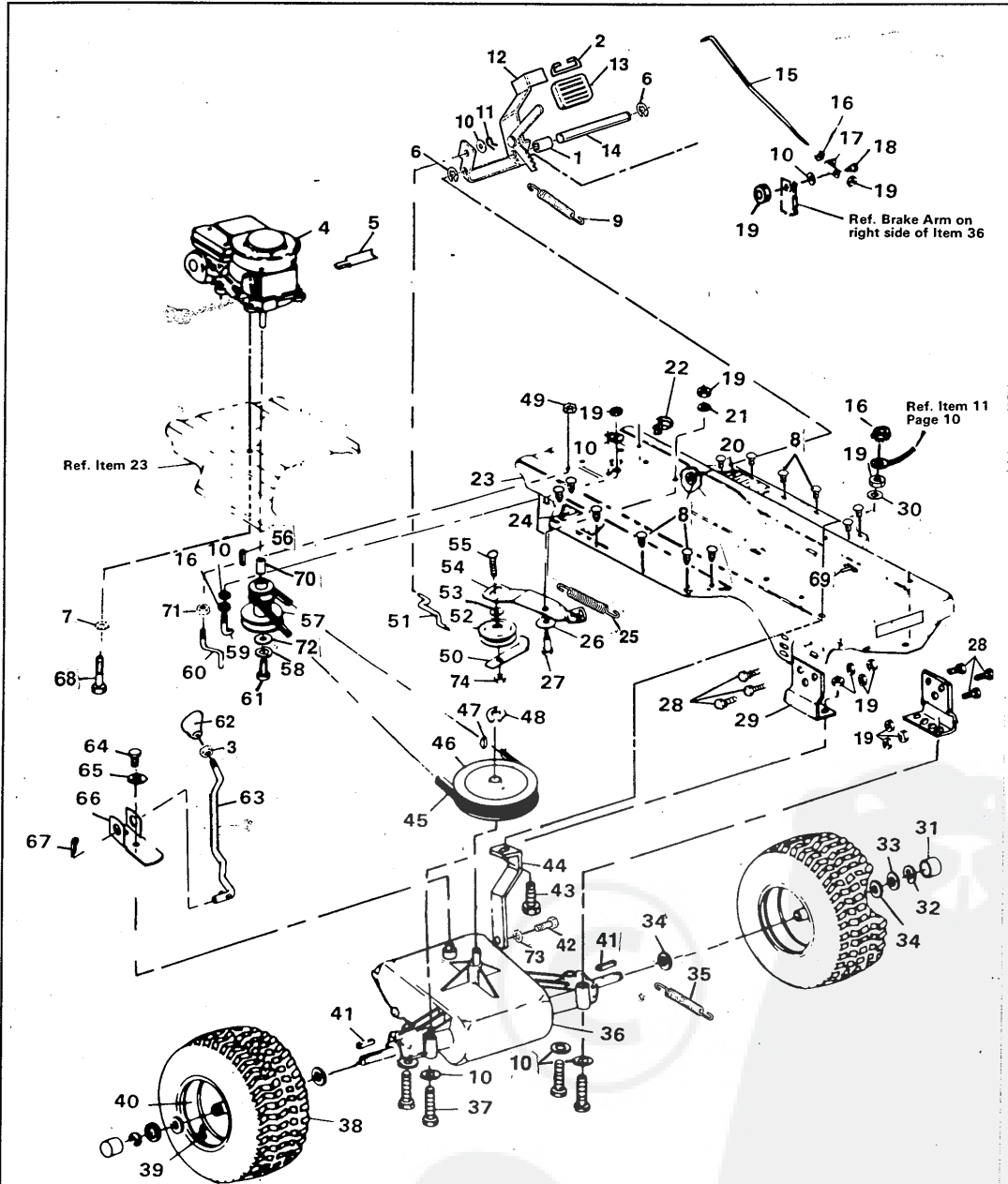
### NOTICE

For packaging purposes, the knob may have been removed from the mower clutch lever and placed in the parts bag. Please screw the knob onto the mower clutch lever and tighten it securely.

For packaging purposes, the battery may have been installed on your unit. The battery must be removed from your machine to be serviced. See the **Battery Removal** paragraph in your **Operator's Manual** for removal instructions.

# Repair Parts

## 30" Lawn Tractor Model A3008-000



Note: Always use original equipment parts. Use of service/replacement parts other than the original equipment parts may void your warranty.

All unnumbered items are interchangeable with the opposite side.

### 30" Lawn Tractor Model A3008-000

Always give the following information when ordering repair parts:

1. The **PART NUMBER**;
2. The **PART NAME**;
3. The **QUANTITY DESIRED**;
4. The **MODEL NUMBER** (As shown on Model Plate).

Send your part orders per the instructions on the front page.

To tell if a part is the left or right handed one, stand behind your mower.

Do not use the key numbers when ordering repair parts, **always use the part numbers.**

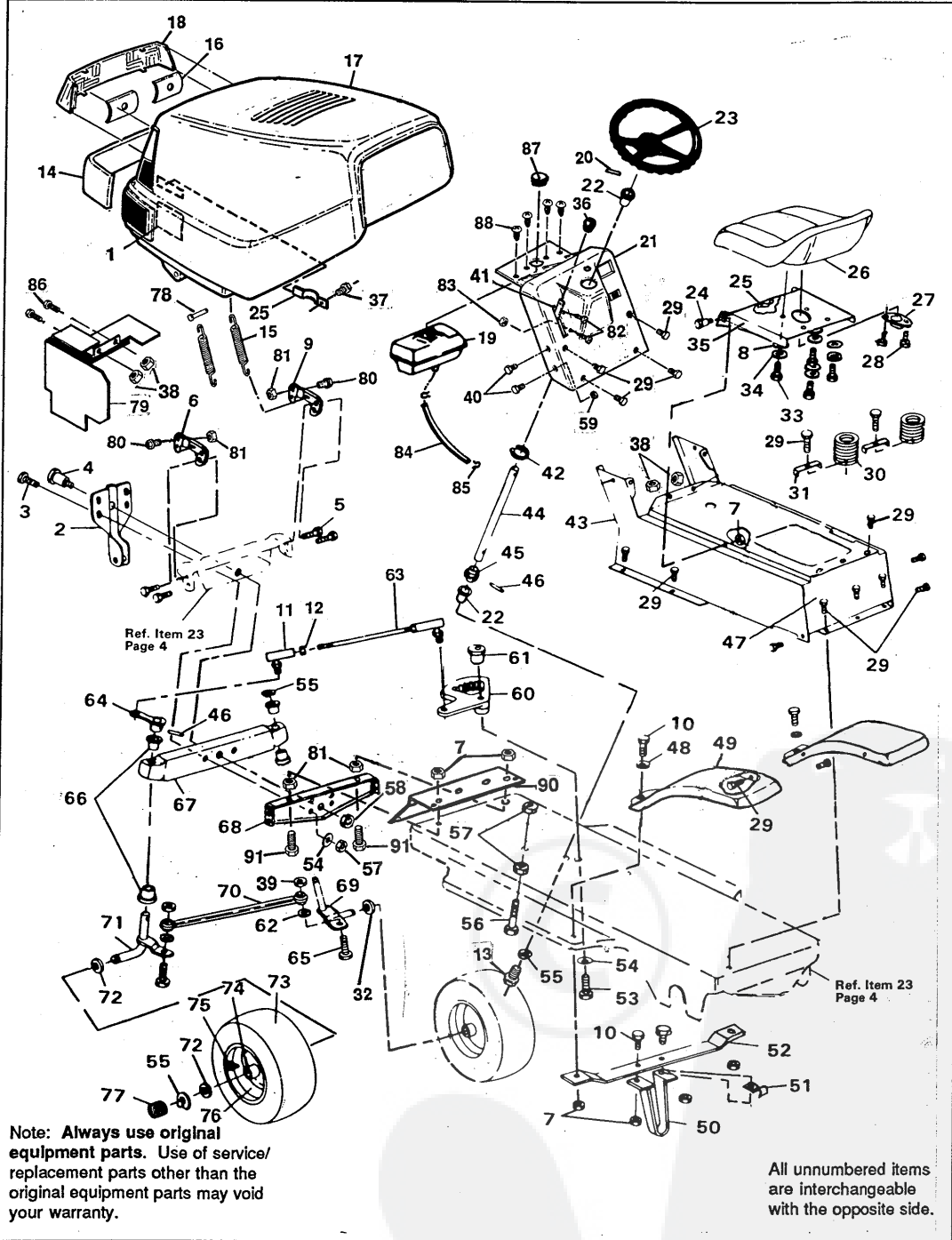
All replacement parts will be supplied in current production colors or in a neutral color.

A handling fee is applicable to small parts orders.

| Key No. | Part No. | Description                           | Key No. | Part No. | Description                          |
|---------|----------|---------------------------------------|---------|----------|--------------------------------------|
| 1       | 302601   | Spacer, Sleeve                        | 51      | 43980    | Rod, Clutch                          |
| 2       | 57569    | Wire, Retainer                        | 52      | 35374    | Pulley, Idler                        |
| 3       | 120238   | Nut, Hex Jam, 1/2 - 13 Thd.           | 53      | 274517   | Flatwasher, 13/32 In.                |
| 4       | 12573    | Engine                                | 54      | 1306     | Bracket, Idler Arm                   |
| 5       | 54873    | Trough Oil Drain                      | 55      | 45892    | Bolt, Carriage 3/8 - 16 x 1-1/2 In.  |
| 6       | 20864    | E-Ring                                | 56      | 303151   | Key, Engine Pulley                   |
| 7       | 138489   | Washer, Star                          | 57      | 310250   | Pulley, Engine                       |
| 8       | 309235   | Fastener, Ratchet                     | 58      | 120383   | Lockwasher, Split, 7/16 In.          |
| 9       | 50562    | Spring, Clutch Pedal                  | 59      | 49896    | Belt Guide, Trans, Drive Belt        |
| 10      | 120393   | Flatwasher, 11/32 In.                 | 60      | 56786    | Belt Guide, Blade Drive              |
| 11      | 121222   | Pin, Cotter 3/32 x 3/4 In.            | 61      | 433146   | Screw, Hex Hd, 7/16 - 20 x 4-1/4 In. |
| 12      | 302603   | Brake-Clutch Pedal Assembly           | 62      | 304438   | Knob, Gear Shift                     |
| 13      | 48761    | Rubber Pad, Brake-Clutch Pedal        | 63      | 302283   | Shift Lever                          |
| 14      | 302600   | Rod, Pivot                            | 64      | 56255    | Screw, Nylock, 1/4 - 28 x 3/4 In.    |
| 15      | 310189   | Rod, Brake                            | 65      | 57157    | Washer                               |
| 16      | 271184   | Nut, Hex Keps, 5/16 - 18 Thd.         | 66      | 57480    | Shift Bracket                        |
| 17      | 54723    | Bracket, Brake Rod                    | 67      | 137185   | Pin Cotter, 1/8 x 1 In.              |
| 18      | 20507    | Shoulder Bolt, 5/16-18 Thd.           | 68      | 50947    | Screw, 3/8 - 16 x 1 - 1/4 In.        |
| 19      | 1498     | Locknut, Hex, 5/16 - 18 Thd.          | 69      | 57444    | Wire Tie                             |
| 20      | 310004   | Foot Pad, R.H.                        | 70      | 304246   | Spacer                               |
| 21      | 45602    | Washer                                | 71      | 271190   | Nut, 3/8 - 16 Keps                   |
| 22      | 54888    | Retainer, Wire                        | 72      | 56431    | Pilot Washer                         |
| 23      | 309752   | Main Frame                            | 73      | 120638   | Lockwasher, 21/64 In.                |
| 24      | 310003   | Foot Pad, L.H.                        | 74      | 1499     | Locknut, 3/8-16 Thd.                 |
| 25      | 49276    | Spring, Main Drive                    | 75      | 306652   | Operator's Manual (Not Illustrated)  |
| 26      | 4107     | Washer, Flat                          | 76      | 312947   | Parts Manual (Not Illustrated)       |
| 27      | 41890    | Shoulder Bolt, 5/16-18 Thd.           |         |          |                                      |
| 28      | 120228   | Screw, Hex Hd, 5/16 - 18 In.          |         |          |                                      |
| 29      | 7707     | Bracket, Transaxle                    |         |          |                                      |
| 30      | 138485   | Star Washer, 5/16 In.                 |         |          |                                      |
| 31      | 40394    | Hub Cap                               |         |          |                                      |
| 32      | 36625    | "E" Ring                              |         |          |                                      |
| 33      | 42815    | Flatwasher, 3/4 In.                   |         |          |                                      |
| 34      | 642      | Flatwasher                            |         |          |                                      |
| 35      | 35410    | Spring, Brake Return                  |         |          |                                      |
| 36      | 309755   | Transaxle, Foote 4360-3               |         |          |                                      |
| 37      | 180112   | Screw, Hex Hd, 5/16 - 18 x 2-3/4 In.  |         |          |                                      |
| 38      | 42091    | Tire                                  |         |          |                                      |
| 39      | 24167    | Valve Stem                            |         |          |                                      |
| 40      | 36182    | Wheel Hub                             |         |          |                                      |
| 41      | 39628    | Key, 3/16 x 3/16 x 2-1/2 In.          |         |          |                                      |
| 42      | 35498    | Screw, Hex Wa Hd, 5/16 - 18 x 3/4 In. |         |          |                                      |
| 43      | 122017   | Screw, Hex Hd, 5/16 - 18 x 1 In.      |         |          |                                      |
| 44      | 309770   | Bracket, Stabilizer                   |         |          |                                      |
| 45      | 54758    | V-Belt                                |         |          |                                      |
| 46      | 302745   | Pulley, Transaxle                     |         |          |                                      |
| 47      | 3021     | Key, Woodruff No. 606                 |         |          |                                      |
| 48      | 22053    | Ring, Retaining                       |         |          |                                      |
| 49      | 41529    | Jam Nut, Hex 3/8 - 16 Thd.            |         |          |                                      |
| 50      | 39659    | Belt Retainer                         |         |          |                                      |

# Repair Parts

## 30" Lawn Tractor Model A3008-000



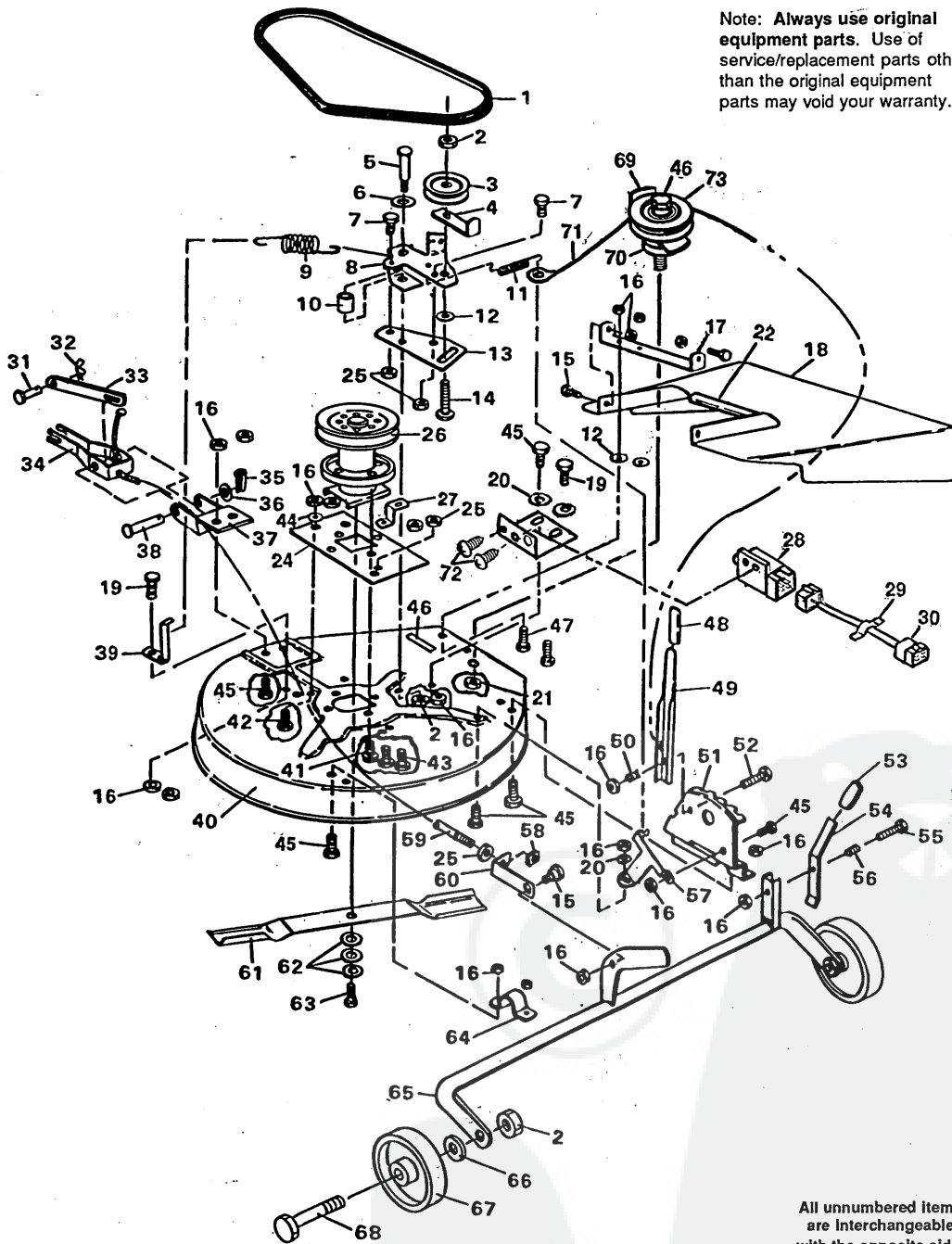
### 30" Lawn Tractor Model A3008-000

| Key No. | Part No. | Description                           | Key No. | Part No. | Description                         |
|---------|----------|---------------------------------------|---------|----------|-------------------------------------|
| 1       | 121222   | Cotter Pin                            | 62      | 120382   | Lockwasher, Split, 3/8 In.          |
| 2       | 8541     | Bracket, Deck Hanger                  | 63      | 56190    | Drag Link                           |
| 3       | 122201   | Screw, Hex Hd, 3/8-16 x 2-3/4 In.     | 64      | 49447    | Arm, Steering                       |
| 4       | 50720    | Shoulder Bolt, Axle Pivot             | 65      | 122145   | Screw, Hex Hd, 3/8-16 x 1-1/4 In.   |
| 5       | 56030    | Screw, Hex Hd, 5/16-18 x 3/4 In.      | 66      | 50546    | Bearing, Spindle Flange             |
| 6       | 9778     | Bracket, Grille Support, R.H.         | 67      | 56400    | Front Axle Assembly                 |
| 7       | 1498     | Locknut, Hex, 3/16-18 Thd.            | 68      | 56362    | Bracket, Front Axle Support         |
| 8       | 120393   | Flatwasher, 11/32 In.                 | 69      | 310368   | Spindle, R.H.                       |
| 9       | 9779     | Bracket, Grille Support, L.H.         | 70      | 302691   | Tie Rod Assembly                    |
| 10      | 122017   | Screw, Hex Hd, 5/16-18 x 1 In.        | 71      | 310367   | Spindle, L.H.                       |
| 11      | 21275    | Ball Joint                            | 72      | 642      | Flatwasher, 3/4 In.                 |
| 12      | 124925   | Nut, 3/8-24                           | 73      | 41060    | Tire                                |
| 13      | 274672   | Screw, Hex Hd 1/4-20 x 5/8 In.        | 74      | 39979    | Bearing                             |
| 14      | 305737   | Bumper                                | 75      | 24167    | Valve Stem                          |
| 15      | 304784   | Spring, Hood Latch                    | 76      | 39937    | Wheel, W/Bearing                    |
| 16      | 308492   | Reflector, Light                      | 77      | 40394    | Hub Cap                             |
| 17      | 12506    | Hood                                  | 78      | 12582    | Anchor, Hood Spring                 |
| 18      | 302670   | Lens                                  | 79      | 313015   | Heat Shield, Muffler                |
| 19      | 302579   | Tank, Fuel                            | 80      | 56676    | Shoulder Bolt                       |
| 20      | 456378   | Spring Pin 1/4 x 2 in.                | 81      | 55273    | Locknut, Hex Hd, 5/16-18            |
| 21      | 12508    | Dash Assembly                         | 82      | 35291    | Screw, Hex Hd, #10 - 24 x 1/2       |
| 22      | 54902    | Bearing, Steering                     | 83      | 271166   | Nut, Hex Keps, #10 - 24             |
| 23      | 301251   | Steering Wheel                        | 84      | 47452    | Fuel Line                           |
| 24      | 20507    | Bolt, Shoulder                        | 85      | 41008    | Clamp, Fuel Line                    |
| 25      | 41482    | Press Clip                            | 86      | 180016   | Screw, 1/4-20 x 1/2 In.             |
| 26      | 304314   | Seat                                  | 87      | 46704    | Fuel Cap                            |
| 27      | 57547    | Switch, Seat                          | 88      | 49050    | Screw, Plastite, 1/4 - 10 x 3/4 In. |
| 28      | 160505   | Screw, Ph Hd, 1/4-20 x 3/8 In.        | 89      | 51335    | Nut, 1/4-20                         |
| 29      | 995346   | Screw, Taptite, 1/4 - 20 x 1/2 In.    | 90      | 311715   | Heat Shield, Anti-Grass Dehydration |
| 30      | 56220    | Spring, Seat                          | 91      | 180080   | Screw, 5/16-18 x 5/8 In.            |
| 31      | 1341     | Clamp, Seat Spring                    |         |          |                                     |
| 32      | 57479    | Spacer                                |         |          |                                     |
| 33      | 122007   | Screw, Hex Hd, 5/16 - 18 x 3/4 In.    |         |          |                                     |
| 34      | 120638   | Lockwasher, Split, 5/16 In.           |         |          |                                     |
| 35      | 304761   | Plate, Seat                           |         |          |                                     |
| 36      | 50607    | Knob, Throttle Control Lever          |         |          |                                     |
| 37      | 57366    | Screw, Drilltite 10-16 x 1/2 In.      |         |          |                                     |
| 38      | 1502     | Locknut, Hex, 1/4 - 20 Thd.           |         |          |                                     |
| 39      | 120369   | Nut, Hex, 3/8-24 Thd.                 |         |          |                                     |
| 40      | 995338   | Screw, Hex Hd, Cap 1/4-20 x 5/8 In.   |         |          |                                     |
| 41      | 303275   | Lever, Throttle Control               |         |          |                                     |
| 42      | 39492    | Ring, Retaining                       |         |          |                                     |
| 43      | 309751   | Console Assembly                      |         |          |                                     |
| 44      | 303039   | Shaft, Steering                       |         |          |                                     |
| 45      | 44009    | Pinion Gear                           |         |          |                                     |
| 46      | 454565   | Roll Pin, Spring                      |         |          |                                     |
| 47      | 8521     | Cover, Console, Rear                  |         |          |                                     |
| 48      | 446363   | Flatwasher, 5/16 In.                  |         |          |                                     |
| 49      | 3606     | Fender                                |         |          |                                     |
| 50      | 44500    | Guide, Rear Deck                      |         |          |                                     |
| 51      | 57569    | Retainer, Wire                        |         |          |                                     |
| 52      | 43964    | Bracket, Deck Guide Support           |         |          |                                     |
| 53      | 39573    | Screw, Hex Hd, Lock, 3/8 - 24 x 1 In. |         |          |                                     |
| 54      | 2483     | Washer, Bellville                     |         |          |                                     |
| 55      | 36625    | E-Ring                                |         |          |                                     |
| 56      | 56599    | Upstop Bolt, 3/8-16 x 8-1/2 In.       |         |          |                                     |
| 57      | 1499     | Locknut, 3/8 - 16 Thd                 |         |          |                                     |
| 58      | 274654   | Nut, Hex Hd, 1/2 - 20 Thd.            |         |          |                                     |
| 59      | 50352    | Locknut, Wd. Fl.. 1/4-20 Thd.         |         |          |                                     |
| 60      | 304245   | Gear, Sector                          |         |          |                                     |
| 61      | 44011    | Shoulder Bolt, Sector Gear            |         |          |                                     |

### Repair Parts

### 30" Lawn Tractor Model A3008-000

Note: Always use original equipment parts. Use of service/replacement parts other than the original equipment parts may void your warranty.



All unnumbered items are interchangeable with the opposite side.

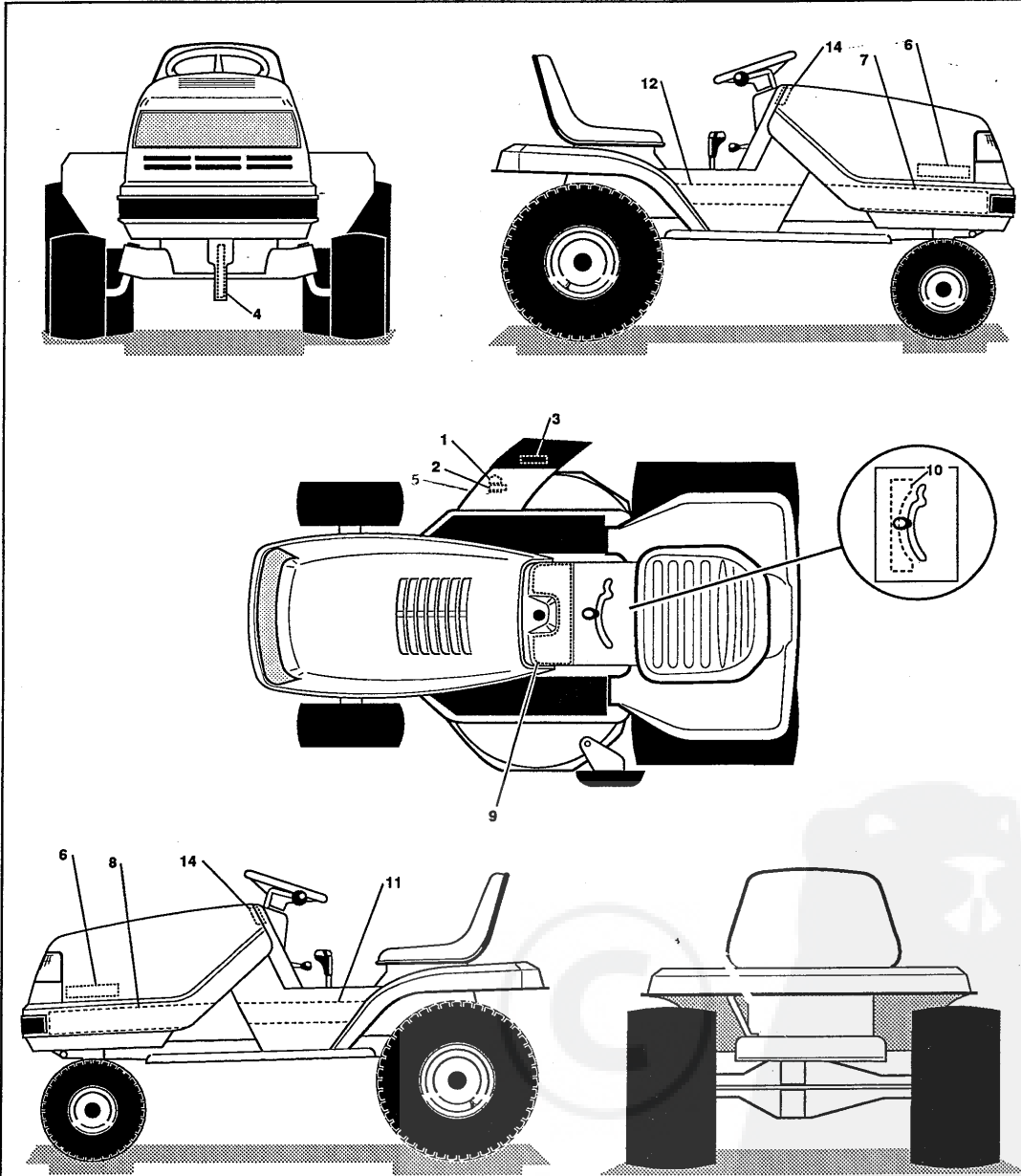


### 30" Lawn Tractor Model A3008-000

| Key No. | Part No. | Description                        | Key No. | Part No. | Description                          |
|---------|----------|------------------------------------|---------|----------|--------------------------------------|
| 1       | 56537    | V-Belt                             | 37      | 56530    | Bracket, Front Deck Lift             |
| 2       | 1499     | Locknut, 3/8 -16 Thd.              | 38      | 47817    | Pin, Clevis                          |
| 3       | 39498    | Pulley, Idler                      | 39      | 308109   | Belt Guide                           |
| 4       | 3382     | Belt Retainer                      | 40      | 310491   | Mower Deck                           |
| 5       | 122194   | Screw, Hex Hd 3/8 - 16 x 2-1/2 In. | 41      | 180081   | Screw, Hex Hd 5/16 - 18 x 1-1/4 In.  |
| 6       | 996416   | Flatwasher                         | 42      | 180077   | Screw, Hex Hd 5/16 - 18 x 3/4 In.    |
| 7       | 120854   | Screw, Hex Hd 1/4 - 20 x 5/8 In.   | 43      | 180020   | Screw, Hex Hd 1/4 -20 x 3/4 In.      |
| 8       | 56515    | Arm, Assembly Idler                | 44      | 120393   | Flatwasher, 5/16                     |
| 9       | 35410    | Spring, Brake                      | 45      | 120834   | Screw, Hex Hd 5/16 - 18 x 1/2 In.    |
| 10      | 313234   | Idler Spacer                       | 46      | 57322    | Shoulder Bolt                        |
| 11      | 310386   | Spring                             | 47      | 122017   | Screw, Hex Hd 5/16 - 18 x 1 In.      |
| 12      | 996307   | Flatwasher                         | 48      | 55213    | Grip, Hand                           |
| 13      | 310375   | Plate, Adjustment                  | 49      | 9126     | Lever, Deck Engage                   |
| 14      | 47889    | Carriage Bolt, 3/8 -16 x 2 In.     | 50      | 29170    | Spring                               |
| 15      | 8482     | Shoulder Bolt, 5/16-18 Thd.        | 51      | 12559    | Quadrant, Height Adjust              |
| 16      | 1498     | Locknut, Hex 5/16 - 18 Thd.        | 52      | 122040   | Screw, Hex Hd 5/16-18 x 1-1/2 In.    |
| 17      | 41212    | Bracket, Chute Deflector           | 53      | 53995    | Grip, Hand                           |
| 18      | 307079   | Chute Deflector                    | 54      | 308110   | Lever, Height Adjust                 |
| 19      | 120228   | Screw, Hex Hd, 5/16 - 18 x 5/8 In. | 55      | 120696   | Screw, Hex Hd, 5/16 - 18 x 2-1/4 In. |
| 20      | 996407   | Flatwasher                         | 56      | 53246    | Spring                               |
| 21      | 1502     | Nut, Hex                           | 57      | 53781    | Brace, Quadrant                      |
| 22      | 47453    | Edging, Black                      | 58      | 120375   | Nut, Square, 1/4 -20 Thd.            |
| 23      | 310387   | Bracket, Safety Switch             | 59      | 56520    | Lift Cable, Deck                     |
| 24      | 56645    | Plate, Stiffening                  | 60      | 308113   | Clevis, Lift Cable                   |
| 25      | 1502     | Locknut, Hex 1/4 - 20 Thd.         | 61      | 44847    | Blade, 30 In.                        |
| 26      | 56842    | Quill Assembly                     | 62      | 2483     | Spring Washer                        |
| 27      | 308111   | Bracket, Cable                     | 63      | 39573    | Screw, Hex Hd, 3/8 - 24 x 1 In.      |
| 28      | 57476    | Switch, Safety                     | 64      | 56517    | Support, Pivot Tube                  |
| 29      | 41482    | Wire Clip, Press                   | 65      | 304866   | Pivot Tube Assembly                  |
| 30      | 57588    | Wire Assembly, Safety Switch       | 66      | 274517   | Flatwasher                           |
| 31      | 47816    | Pull Pin                           | 67      | 56817    | Wheel, Deck                          |
| 32      | 56180    | Hairpin Cotter                     | 68      | 56380    | Shoulder Bolt                        |
| 33      | 308101   | Pivot Strap                        | 69      | 9149     | Belt Retainer                        |
| 34      | 308102   | Bracket, Pivot                     | 70      | 41462    | Spacer                               |
| 35      | 121224   | Cotter Pin                         | 71      | 310378   | Cable, Clutch                        |
| 36      | 996425   | Flatwasher                         | 72      | 57220    | Screw, #12 x .50                     |
|         |          |                                    | 73      | 39298    | Pulley                               |

## Repair Parts

### 30" Lawn Tractor Model A3008-000



**Note: Always use original equipment parts.** Use of service/replacement parts other than the original equipment parts may void your warranty.

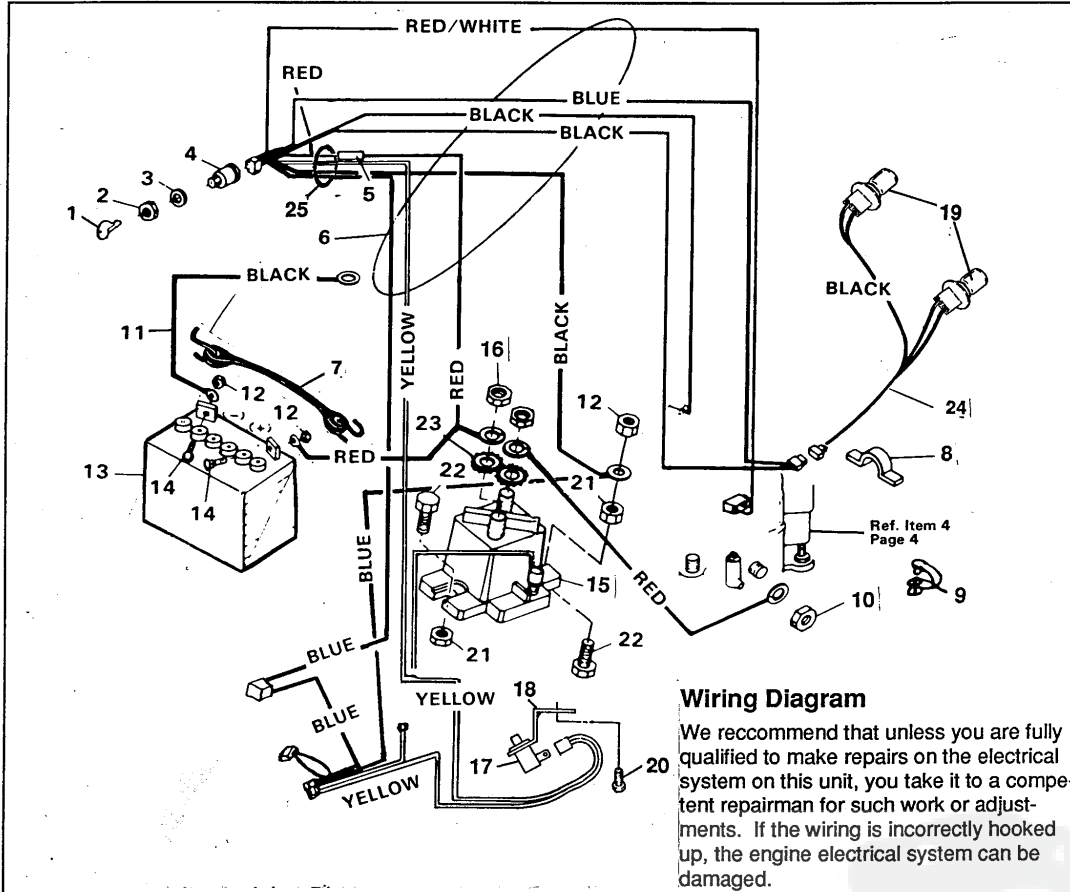
All unnumbered items are interchangeable with the opposite side.

**30" Lawn Tractor Model A3008-000**

| Key No. | Part No. | Description                     | Key No. | Part No. | Description |
|---------|----------|---------------------------------|---------|----------|-------------|
| 1       | 68547    | Decal, Cut-Hand Warning Label   |         |          |             |
| 2       | 69617    | Decal, Blade Height Adjustment  |         |          |             |
| 3       | 70203    | Decal, Caution Deflector        |         |          |             |
| 4       | 70574    | Decal, Caution Deck Harness     |         |          |             |
| 5       |          |                                 |         |          |             |
| 6       | 302758   | Nameplate Med.DynaByNoma White  |         |          |             |
| 7       | 302930   | Decal, Sm Noma Hood SF RH 8HP   |         |          |             |
| 8       | 302931   | Decal, Sm Noma Hood SF LH 8HP   |         |          |             |
| 9       | 303126   | Decal, Stretch Noma Dash Upper  |         |          |             |
| 10      | 303128   | Decal, Console Top Stretch 3-SP |         |          |             |
| 11      | 307829   | Decal, Console LH Side 30" SF   |         |          |             |
| 12      | 307830   | Decal, Console Side RH 30" SF   |         |          |             |
| 13      |          |                                 |         |          |             |
| 14      | 313208   | Decal, Dash Wear Strip          |         |          |             |

## Repair Parts

### 30" Lawn Tractor Model A3008-000



| Key No. | Part No. | Description                     |
|---------|----------|---------------------------------|
| 1       | 300626   | Key, Ignition                   |
| 2       | 48140    | Locknut (Switch Part)           |
| 3       | 138557   | Lockwasher (Switch Part)        |
| 4       | 300687   | Switch, Ignition & Lights       |
| 5       | 302031   | Fuse                            |
| 6       | 57642    | Wire Harness Assembly           |
| 7       | 309862   | Rubber Strap                    |
| 8       | 41482    | Wire Clip, Press                |
| 9       | 54888    | Retainer, Wire                  |
| 10      |          | Engine Part                     |
| 11      | 55511    | Ground Wire                     |
| 12      | 271172   | Nut, Keps, 1/4-20 Thd.          |
| 13      | 57486    | Battery                         |
| 14      | 120854   | Screw, Hex Hd, 1/4-20 x 5/8 In. |
| 15      | 53716    | Solenoid                        |
| 16      | 120368   | Locknut, Hex 5/16-24 Thd.       |

| Key No. | Part No. | Description                       |
|---------|----------|-----------------------------------|
| 17      | 300220   | Safety Switch                     |
| 18      | 312953   | Bracket, Switch Mounting          |
| 19      | 52572    | Bulb, Headlight                   |
| 20      | 995346   | Screw, Tapfit, 1/4 - 20 x 1/2 In. |
| 21      | 1502     | Locknut, Hex, 1/4-20 Thd.         |
| 22      | 187745   | Screw, Hex Hd, 1/4-20 x 3/4 In.   |
| 23      | 138485   | Washer, Shakeproof, 5/16 In.      |
| 24      | 303064   | Lead Wire, Headlight              |
| 25      | 55528    | Wire Harness                      |

## ACCESSORIES

**Contact the dealer where your tractor was purchased for the available accessories. If you are unable to contact the dealer, write to the address on the front cover of this manual.**

### Rear Engine Rider

| Model   | Description                      |
|---------|----------------------------------|
| 5708-16 | Bagger - Fits 32" Side Discharge |
| 5708-17 | Bagger - Fits 36" Side Discharge |
| 5709-02 | Front Weight Box - holds 35 lbs. |
| 5648-16 | Lawn Sweeper w/dump Release      |

### Lawn Tractor

| Model   | Description   |
|---------|---|
| 5708-22 | Bagger - Fits 30" Side Discharge                                    |
| 5708-13 | Bagger - Fits 36", 38", 39" & 45" Side Discharge                    |
| 5705-04 | 36" Two-Stage Snowblower - Fits 36", 38", 39", & 45" Side Discharge |
| 5661-06 | 42" Snowblade - Fits 36", 38", 39", & 45"                           |
| 5592-00 | Tire Chains - 18" x 6.50"   |
| 5585-00 | Tire Chains - 18" x 9.50" & 20" x 8"                                |
| 5672-01 | Wheel Weights - Front - 1 pr. w/mtg. hdw. - Fits 15" tires          |
| 5673-02 | Wheel Weights - Rear - 1 pr. w/mtg. hdw. - Fits 18" & 20" tires     |
| 5709-03 | Front Weights - Fits 30" & 32" Side Discharge                       |
| 5648-16 | Lawn Sweeper w/dump Release   |

### Garden Tractor - Light Ground Engaging

| Model    | Description   |
|----------|---|
| 5708-13  | Bagger - Fits 36", 38", 39", & 45" Side Discharge               |
| 5705-04  | 36" Two - Stage Snowblower - Fits 36", 38", 39", & 45"          |
| 5661-06  | 42" Snowblade - Fits 36", 38", 39", & 45"                       |
| 5672-01  | Wheel Weights - Front 1 pr. w/mtg. hdw. - Fits 15" tires        |
| 5673-02  | Wheel Weights - Rear - 1 pr. w/mtg. hdw. - Fits 18" & 20" tires |
| 5648-16  | Lawn Sweeper w/dump Release                                     |
| 5667-02  | Sleeve Hitch - w/lift bar - Fits 45"                            |
| 5668-01  | Adaptor (sleeve hitch) for use w/23" tires                      |
| 5706-00  | Tire Chains - 20" x 10"   |
| 5671-00  | Tire Chains - 23" x 9.50"                                       |
| 5672-02  | Wheel Weights - Front - 1 pr. w/mtg. hdw. Fits 16" tires        |
| 5673-00  | Wheel Weights - Rear - 1 pr. w/mtg. hdw. Fits 23" tires         |
| 5674-01* | 10" One Bottom Moldboard Plow                                   |
| 5675-01* | Cultivator - 7 row - Adj. 6" - 42" width                        |
| 5676-01* | Disc Harrow - 8" & 11" disc - Adj. width & disc angle           |
| 5677-02* | Tiller - 5 H.P. Self-Powered - 28" width                        |

### Four Wheel Steer

| Model   | Description   |
|---------|---|
| 5708-14 | Bagger - Fits 40" & 46" Side Discharge                        |
| 5705-05 | 42" One-Stage Snowblower - Fits 40" & 46"                     |
| 5661-07 | 48" Snowblade - Fits 40" & 46"                                |
| 5709-04 | Rear Weight Box for 40" & 46"                                 |
| 5648-16 | Lawn Sweeper w/dump Release                                   |
| 5706-00 | Tire Chains 20" x 10"   |
| 5671-00 | Tire Chains 23" x 9.50"                                       |
| 5672-02 | Wheel Weights - Front - 1 pr. w/mtg. hdw. Fits 16" tires      |
| 5673-00 | Wheel Weights - Rear - 1 pr. w/mtg. hdw. Fits 23" tires       |
| 5672-01 | Wheel Weights - Front - 1 pr. w/mtg. hdw. Fits 15" tires      |
| 5673-02 | Wheel Weights - Rear - 1 pr. w/mtg. hdw. Fits 18" & 20" tires |

### Four Wheel Steer Garden Tractor

| Model    | Description  |
|----------|--|
| 5667-04  | Sleeve Hitch - w/lift bar Fits 46"                 |
| 5674-01* | 10" One Bottom Moldboard Plow                      |
| 5675-01* | Cultivator - 7 row - Adj. 6" - 42" width           |
| 5676-01* | Disc Harrow 8" & 11" Disc. Adj. width & disc angle |
| 5677-02* | Tiller 5 H.P. Self-Powered - 28" width             |
| 5648-16  | Lawn Sweeper w/dump Release                        |

\*Requires a sleeve hitch

**CONTACT ANY OF THE FOLLOWING DISTRIBUTORS: Parts for: HOMKO - LAWN SCOUT - AMF - TURFMASTER - DYNAMARK - or any other CANADIANA, WESTERN INTERNATIONAL INCORPORATED or NOMA OUTDOOR PRODUCTS INCORPORATED product.**

**ALABAMA**

Automotive Elect. Serv.  
415-419 Meridian St.  
Huntsville, AL 35801  
(205) 539-2131  
AL WATS 800-421-1392  
\*b,c,f,g,h

**CALIFORNIA**

Billiou's  
75 No. D Street  
Porterville, CA 93257  
(209) 784-4102  
CA WATS 800-228-7286  
WATS 800-245-5468  
FAX (209) 784-4108  
(auto)  
\*b,c,e,f,g,h

**COLORADO**

Spitzer Ind. Prod. Co.  
6601 N Washington  
Thornton, CO 80229  
(303) 287-3414  
FAX (303) 287-0549  
(auto)  
\*b,c,e,f,g,h

**FLORIDA**

G.L.O Products Inc.  
13201 S. Belcher Rd.  
Largo, FL 33543  
(813) 530-9723  
FL WATS 800-225-5456  
FAX (813) 539-8603  
(auto)  
\*c,e,h

Radco Distributors Inc.  
4909 Victor St., Box 5459  
Jacksonville, FL 32207-0459  
(904) 733-7957  
FL WATS 800-727-8701  
FAX (904) 737-9575  
(auto)  
\*b,c,e,g,h

**ILLINOIS**

Garmoe Distr. Inc.  
2620 N Mannheim Road  
Franklin Park, IL 60131  
(708) 455-3588  
FAX (708) 455-6069  
(auto)  
\*b,c,e,f,g  
Small Engine Parts  
3515 Auburn St.  
Rockford, IL 61103  
(815) 964-1754  
\*c,f,g,h

**INDIANA**

Thompson Sales & Serv.  
2400 W. Ridge Road  
Gary, IN 46408  
(219) 980-3282  
FAX (219) 980-3283  
(PBX)  
\*c,e,f,g,h

**IOWA**

Bruce Engine  
1829 N.W. 86th  
Des Moines, IA 50322  
(515) 278-5151  
Recorder WATS  
800-747-1829  
\*b,c,e,f,g,h

**KANSAS**

Colladay Hdwe. Co.  
201 N Plum, Box 766  
Hutchinson, KS 67501  
(316) 663-4477  
\*a,d,e

**KENTUCKY**

Auto-Electric Inc.  
715 W. Hwy 80, Box 671  
Somerset, KY 42501  
(606) 679-1171  
\*c,e,f,g,h  
Cayce Mill Supply Co.  
505 E 1st St.  
Hopkinsville, KY 42240  
(502) 886-3335  
FAX (502) 886-3335  
(PBX ext 43)  
\*b,c,f,g,h  
Kentucky Engine Service  
1003-08 E. Broadway  
Louisville, KY 40204  
(502) 587-7976  
\*b,c,e,f,g,h

**LOUISIANA**

United Engine Serv., Inc.  
11923 Cloverland Ave.  
Baton Rouge, LA 70809  
(504) 291-2622  
FAX (504) 292-2442  
(auto)  
\*c,e,f,g,h

**MARYLAND**

Center Supply Co.  
6802 Industrial Dr. #208  
Beltsville, MD 20705  
(301) 595-0860  
\*b,c,e,f,g,h  
Kunkel Service Co.  
6252 Frankford Ave  
Baltimore, MD 21206  
(301) 377-4008  
MD WATS 800-492-8886  
FAX (301) 325-1314  
(auto)  
\*b,c,e,f,g,h

**MASSACHUSETTS**

Morton B. Collins Co.  
300 Birnie Ave. Box  
70058  
Springfield, MA 01107  
(413) 732-7449  
\*c,e,g,h  
Crandall-Hicks Co.  
30 Oak St  
Westboro, MA 01581  
(617) 898-2808  
MA WATS 800-572-9342  
FAX (617) 898-3160  
(auto)  
\*b,d

**MICHIGAN**

Air Cooled Engine Div.  
1116 26th Ave.  
Menominee, MI 49858  
(906) 863-6332  
MI WATS 800-562-4825  
WATS 800-334-9535  
FAX (906) 863-1204  
(PBX)  
\*c,e,f,g,h

**MINNESOTA**

Hance Distr.  
12795 16th Ave. N.  
Plymouth, MN 55441  
(612) 559-2299  
FAX (612) 559-2365  
(auto)  
\*b,c,e,f,g,h

**MISSOURI**

Gunther's Serv. & Supply  
7320 Wornall Road  
Kansas City, MO 64114  
(816) 523-1952  
\*a,d,e,f,g,h  
Wilson Engine & Parts  
Inc.  
4159 Shoreline Drive  
Earth City, MO 63045  
(314) 739-1313  
WATS 800-367-2787  
FAX (314) 739-8767  
(auto)  
\*b,d,e,f,g,h

**NEW JERSEY**

Power Distributors, Inc.  
71 N. Field Ave.  
Edison, NJ 08837  
(201) 225-4922  
FAX (201) 225-4922  
(auto)  
\*i

**NEW YORK**

Loegler & Ladd Inc.  
3950 Broadway, Box 214  
Buffalo, NY 14225  
(716) 684-0600  
\*c,e  
Stiefvater Dist. Inc.  
Clinton Road, Route 12B  
New Hartford, NY 13413  
(315) 853-5581  
\*c,e,f,g,h

**NORTH CAROLINA**

Dixie Sales Co. Inc.  
5920 Summit Ave.,  
Box 1408  
Browns Summit, NC  
27402  
(919) 375-7500  
WATS 800-438-1069  
FAX (919) 274-2758  
(auto)  
\*b,e,f,g,h

**OHIO**

American Power Distr.  
2430 Tremainsville Rd.  
Box 5815  
Toledo, OH 43613  
(419) 475-7261  
FAX (419) 475-0467  
(auto after 5.00 pm)  
\*a,b,e,f,g,h  
Small Engine Distr.  
5250 N Dixie, Box 14481  
Dayton, OH 45414  
(513) 278-8241  
\*b,d,e,f,g,h

**PENNSYLVANIA**

Bluemont Co.  
11101 Frankstown Road  
Pittsburgh, PA 15235  
(412) 242-1622  
PA WATS 800-344-1200  
WATS 800-431-2716  
FAX (412) 243-5673  
(auto)  
\*b,c,e,f,g,h  
Scranton Auto Ignition  
1133-1135 Wyoming Ave.  
Scranton, PA 18509  
(717) 342-8133  
\*b,f,g,h

**SOUTH CAROLINA**

Magneto & Elect. Service  
103 Assembly St.  
Columbia, SC 29201  
(803) 771-4044  
SC WATS 800-922-1118  
WATS 800-334-4832  
FAX (803) 256-2727  
\*c,e,f,g,h

**TENNESSEE**

Chilton A/C Engines  
319 4th Ave. S.,  
Box 150806  
Nashville, TN 37201  
(615) 254-1634  
FAX (615) 242-6618  
(auto)  
\*b,c,e,f,g,h  
Ace Distr. Inc.  
2103 E. Magnolia Ave.  
Knoxville, TN 37917  
(615) 524-5359  
TN WATS 800-332-9904  
FAX (615) 524-8263  
(auto)  
\*c,e,f,g,h

**TEXAS**

Marr Bros. Inc.  
423 E. Jefferson  
Dallas, TX 75203  
(214) 948-7387  
FAX (214) 946-6259  
(auto)  
\*a,d,e,f,g,h  
Midland Small Engine  
Sales  
106 Carlton, Box 4215  
Midland, TX 79704  
(915) 684-5553  
\*b,d,e,f,g,h

**VIRGINIA**

NorVa Small Engines  
7010 Wellington Rd.  
Manassas, VA 22110  
(703) 369-3387  
\*c,e,f,g,h  
RBI Corporation  
101 Cedar Ridge Rd.  
Lakeridge Park  
Ashland, VA 23005  
(804) 550-2207  
FAX (804) 550-2386 (auto)  
\*b,c,f,g,h

**WASHINGTON**

Pacific A/C Engine Inc.  
7925 2nd Ave S.  
Seattle, WA 98108  
(206) 623-6906  
c,e,f,h

**WISCONSIN**

Praefke A/C Eng.  
4050 N. 128th St  
Brookfield, WI 53005  
(414) 781-7010  
\*c,e,f,g,h  
Wiggert Brothers  
4th & Jay, Box 1267  
La Crosse, WI 54601  
(608) 784-4790  
\*b,c,e,f,g,h

**CANADA**

Noma Outdoor Prod., Inc.  
155 Orenda Rd.  
Brampton, Ontario L6W  
1W3  
(416) 457-1433  
\*i

Rev. 12/27/89

(\*) General Information Codes:  
(a) Advance Payment Required  
(b) Accepts Credit Cards  
(c) C.O.D. okay  
(d) No C.O.D.  
(e) Accessories Available  
(f) Briggs & Stratton dealer or distributor  
(g) Tecumseh/Peerless dealer or distributor  
(h) Foote dealer or distributor  
(i) Dealer sales only, contact for closest dealer.