

## REPAIR PARTS MANUAL

# 32" - 8 H.P. LAWN TRACTOR

## With Grass Collector Attachment

### MODEL A3554-120

#### ONE YEAR LIMITED WARRANTY

From date of purchase by the first consumer for residential use (thirty (30) days non-refundable). NOMA Outdoor Products Incorporated warrants that it will replace free of charge, including part of any NOMA Outdoor Products Incorporated product to be replaced, any defective product of Service Dealer or the factory, except the battery which is warranted for ninety (90) days of purchase.

This warranty does not cover engine, its admission, transfer or differential, clutch, transmission, drive shaft, or any other component of the engine or transmission. This warranty does not cover any damage to the engine or transmission that have taken subject to misuse or abuse. Transportation of the unit to and from the Service Dealer or factory is the responsibility of the owner.

When a defect is reported to what procedure should be followed for this Warranty is described below.

If the unit becomes defective, contact the store where the unit was purchased for the name and address of the authorized Service Dealer nearest to you.

If you cannot locate an authorized Service Dealer, write Service Dealer, NOMA Outdoor Products Incorporated for the name and address of the authorized Service Dealer nearest to you. Call the Service Dept. number on page 422-1690.

Return the defective product, along with proof of purchase to your authorized Service Dealer for replacement of any defective part which is covered by this warranty.

There is no other express warranty, implied warranties, including those of merchantability or fitness for a particular purpose, are limited to one (1) year from date of purchase. All other implied warranties are excluded.

Some states do not allow limitations on how long an implied warranty lasts, so the above limitation may not apply to you. This warranty gives you specific legal rights, and you may have other rights which vary from state to state.

NOMA Outdoor Products Incorporated

Call 800

38308-8000

#### UNIT PARTS AND SERVICE

Read the instructions for safety, assembly and maintenance. Read this manual carefully and completely so you will know proper assembly, use and care of your unit. Also fill in the name and registration card on the back of the unit. For service other than covered in this manual, contact your local distributor, or contact the factory service organization for a list of distributors to provide local parts and service. A list of authorized parts distributors has been included in this manual. When ordering repair parts, always give the following information: 1. The Part Name; 2. The Part Number; 3. The Quantity desired; 4. The full registration number of the unit. The model number will be found on a plate attached to the unit.



**Look for this symbol. It means ATTENTION! BECOME ALERT! A HAZARD TO PERSONS AND PROPERTY OR EQUIPMENT MAY EXIST.**

NOMA Outdoor Products Incorporated  
Call 800  
Jackson, TN 38308-8000

Part No. 301887

4260

Price \$2.00

Printed in U.S.A.



## OPERATIONAL PRECAUTIONS

THESE INSTRUCTIONS ARE FOR YOUR PROTECTION. PLEASE READ THEM CAREFULLY.



1. Know the controls and how to stop quickly. READ THIS OPERATOR'S MANUAL and instructions furnished with attachments.
2. Wear safety glasses or eye shields when assembling or operating riding mower.
3. Do not allow children to operate the machine. Do not allow adults to operate it without proper instruction.
4. Do not carry passengers. Do not mow when children and others are around. Disengage power to blade(s) or attachment(s) and stop the engine while others are in the vicinity of the mower.
5. Battery fluid (electrolyte) is an ACID and is extremely dangerous. Do not smoke while servicing the battery. Do not service the battery near a open flame or spark.
6. Handle gasoline with care, it is highly flammable.
  - A. Use approved gasoline container.
  - B. Never remove the fuel cap of, or add gasoline to, a running or hot engine, or an engine that has not been allowed to cool for several minutes after running. Never fill the tank indoors and always clean up spilled fuel immediately.
  - C. Do not smoke while filling fuel tank.
  - D. Do not run the engine indoors. Open doors if engine must be run in garage. Exhaust fumes contain CARBON MONOXIDE, an ODORLESS and DEADLY GAS.
7. Check fuel supply before each use allowing space for expansion as the heat of the engine and/or sun can cause gasoline to expand.
8. Do not operate mower when barefooted. Always wear substantial footwear, preferably steel-toed shoes. Do not wear loose fitting clothing that could get caught in moving parts.
9. Clear the work area of objects (wire, rocks, etc.) which might be picked up and thrown. Check all controls for proper function.
10. Disengage all attachment clutches, shift to neutral, and set parking brake before attempting to start the engine (motor). When starting engine equipped with a pull starter, stand firm and make sure your feet are well away from the blade(s).
11. Disengage power to blade(s) or other attachment(s) and stop the engine (motor) before leaving the operator's position. Always dismount from the left side.
12. Disengage power to blade(s) or other attachment(s) and stop the engine (motor) before making any repairs or adjustments.
13. Disengage power to blade(s) or other attachment(s) when transporting or not in use.
14. Take all possible precautions when leaving the vehicle unattended, such as disengaging power to blade(s) or attachment(s), lower the attachment(s), setting the parking brake, stopping the engine (motor), and removing the key.
15. Do not stop or start suddenly when going uphill or downhill. Mow up and down the face of steep slopes, never across the face.
16. Reduce speed and exercise extreme caution on slopes and in sharp turns to prevent tipping or loss of control. Be especially cautious when changing direction on slopes.
17. Stay alert for holes, rocks, and roots in the terrain and other hidden hazards. Keep away from drop-off. Never operate your riding mower on wet or slippery grass or at a speed which could cause a skid. Exercise care when mowing around a fixed object to prevent the blade(s) from striking it. Never deliberately run over any foreign object.
18. Always disengage blade control lever before attempting to remove the mower from a hole or other obstruction.
19. Use care when pulling loads or using heavy equipment.
  - A. Use only approved drawbar hitch points.
  - B. Limit loads to those that you can safely control.
  - C. Do not turn sharply. Use care when backing.
  - D. Use counterweight(s), wheel weights or tire chains when suggested in attachment(s) instructions.
20. Watch for traffic when crossing or near roadways.
21. When using attachment(s), never direct discharge of material toward bystanders nor allow anyone near the vehicle while in operation.
22. Keep the vehicle and attachments in good operating condition, and keep safety devices in place and in working condition.
23. Keep all nuts, bolts, and screws tight to be sure the equipment is in safe working condition.
24. Never store the equipment with gasoline in the tank inside a building where fumes may reach an open flame or spark. Allow the engine to cool before storing in any enclosure.
25. To reduce fire hazard, keep the engine free of grass, leaves or excessive grease.
26. The vehicle and attachments should be stopped and inspected for damage after striking a foreign object, and the damage should be repaired before restarting and operating the equipment.
27. Do not change the engine governor settings or overspeed engine.
28. When using the vehicle with mower, proceed as follows.
  - A. Mow only in daylight or in good artificial light.
  - B. Never make a cutting height adjustment while the engine (motor) is running if the operator must dismount to do so.
  - C. Shut the engine (motor) off when removing the grass catcher or unclogging chute.
  - D. Check the blade mounting bolts for proper tightness at frequent intervals.
29. Under normal usage, the grass catcher bag material is subject to deterioration and wear. Check the bag frequently for deterioration and wear and replace worn bags. Check that replacement bags comply with the original manufacturer's recommendations or specifications.
30. Disengage power to mower before backing up. Do not mow in reverse unless absolutely necessary and then only after careful observation of the entire area behind the mower.

### OWNER'S INFORMATION

Record the following information about your unit so that you will be able to provide it in case of loss or theft.

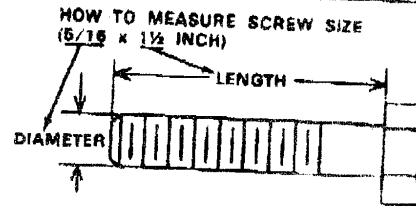
MODEL NUMBER: - (Enter complete 8 digit number from model plate on unit)  
 PURCHASE DATE: \_\_\_ / \_\_\_ / \_\_\_ CODE NO.: \_\_\_ SERIAL NO.: \_\_\_  
 DEALER'S NAME AND ADDRESS: \_\_\_\_\_  
 CITY: \_\_\_\_\_ STATE: \_\_\_\_\_ TELEPHONE: \_\_\_\_\_

### CONTENTS OF SHIPPING CARTON

- 1 - Tractor (with 32 inch deck)
- 1 - Operator's Manual
- 1 - Repair Parts Manual
- 1 - Engine Manual
- 1 - Steering Wheel (with roll pin partially installed)
- 1 - Seat
- 1 - Chute Deflector
- 1 - Battery
- 1 - 7 x 25 inch Rubber Belt Guard
- 1 - 7 x 25 inch Rubber Belt Guard
- 1 - Flysheet, Rubber Belt Guards and Clips
- 1 - Bag of Assembly Parts Containing:
  - 1 - Oil Drain Trough
  - 1 - Pinot Pad (chute deflector)
  - 1 - Torsion Spring (chute deflector)
  - 1 - Bag of Battery Cable Installation Parts Containing:
    - 2 - 1/4 - 20 x 5/8 inch Hex Head Screws
    - 2 - 1/4 - 20 inch Keps, Nuts (star washer attached)
  - 1 - Bag of Seat Mounting Parts Containing:
    - 4 - 5/16 - 18 x 3/4 inch Hex Head Screws
    - 4 - 2 1/4 inch Split Lockwashers
    - 4 - 1 1/2 inch Flatwashers
- 1 - Bag of Grass Collector Assembly Parts Containing
  - 3 - Cover Hinges
  - 1 - Latch Lever
  - 1 - Latch (cover)
  - 1 - Tab (chute latch lever)
  - 2 - Retainer Straps
  - 2 - Rubber Grommets
  - 6 - 1/4 x 5/8 inch Round Head Screws
  - 2 - 1/4 x 3/4 inch Hex Head Screws
  - 4 - 5/16 x 5/8 inch Hex Head Screws
  - 1 - 5/16 x 1/2 inch Self - Tap Screw
  - 6 - 1/4 inch Keps Nuts (star washer attached)
  - 2 - 1/4 inch Locknuts
  - 4 - 5/16 inch wide flange Locknuts
  - 1 - 5/16 inch Locknut
  - 2 - 9/32 inch Flatwashers
  - 2 - 5/16 inch Flatwashers

### TOOLS REQUIRED FOR ASSEMBLY

- 1 - 7/16 inch Wrench (or adjustable wrench)
- 1 - 1/2 inch Wrench (or adjustable wrench)
- 1 - 3/4 inch Wrench (or adjustable wrench)
- 1 - Hammer



**⚠ DANGER ⚠**

This riding mower can be dangerous if carelessly used.

Read your Owner's Manual thoroughly before operating your riding mower.

Always wear safety glasses or eye shields while assembling or operating your riding mower.

DO NOT carry passengers at any time.

Keep your hands, feet, hair and loose clothing away from the discharge area, the underside of the mower deck or any moving parts while the engine is running.

DO NOT allow children or young teenagers to operate or be near your riding mower while it is operating.

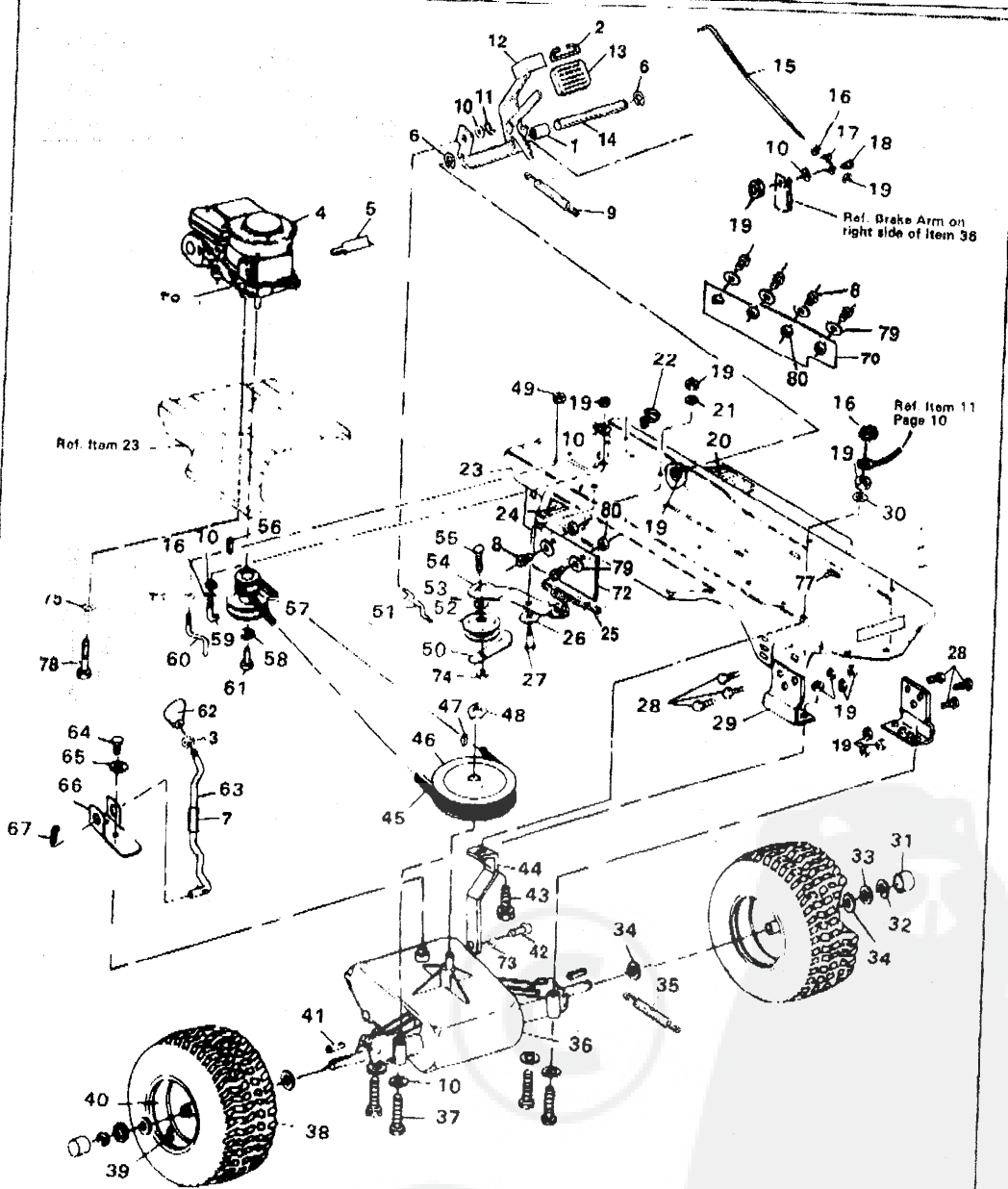
**NOTICE**

For packaging purposes, the knob may have been removed from the mower clutch lever and placed in the parts bag. Please screw the knob onto the mower clutch lever and tighten it securely.

For packaging purposes, the battery may have been installed on your unit. The battery must be removed from your machine to be serviced. See the Battery Removal paragraph in your Operator's Manual for removal instructions.

### Repair Parts

## 32" Lawn Tractor Model A3554-120



Ref. Item 23

Ref. Brake Arm on right side of Item 38

Ref. Item 11 Page 10

**Note: Always use original equipment parts. Use of service/replacement parts other than the original equipment parts may void your warranty.**

All unnumbered items are interchangeable with the opposite side.

### 32" Lawn Tractor Model A3554-120

Always give the following information when ordering repair parts:

1. The **PART NUMBER**;
2. The **PART NAME**;
3. The **QUANTITY DESIRED**;
4. The **MODEL NUMBER** (As shown on Model Plate).

Send your part orders per the instructions on the front page.

To tell if a part is the left or right handed one, stand behind your mower.

Do not use the key numbers when ordering repair parts, **always use the part numbers.**

All replacement parts will be supplied in current production colors or in a neutral color.

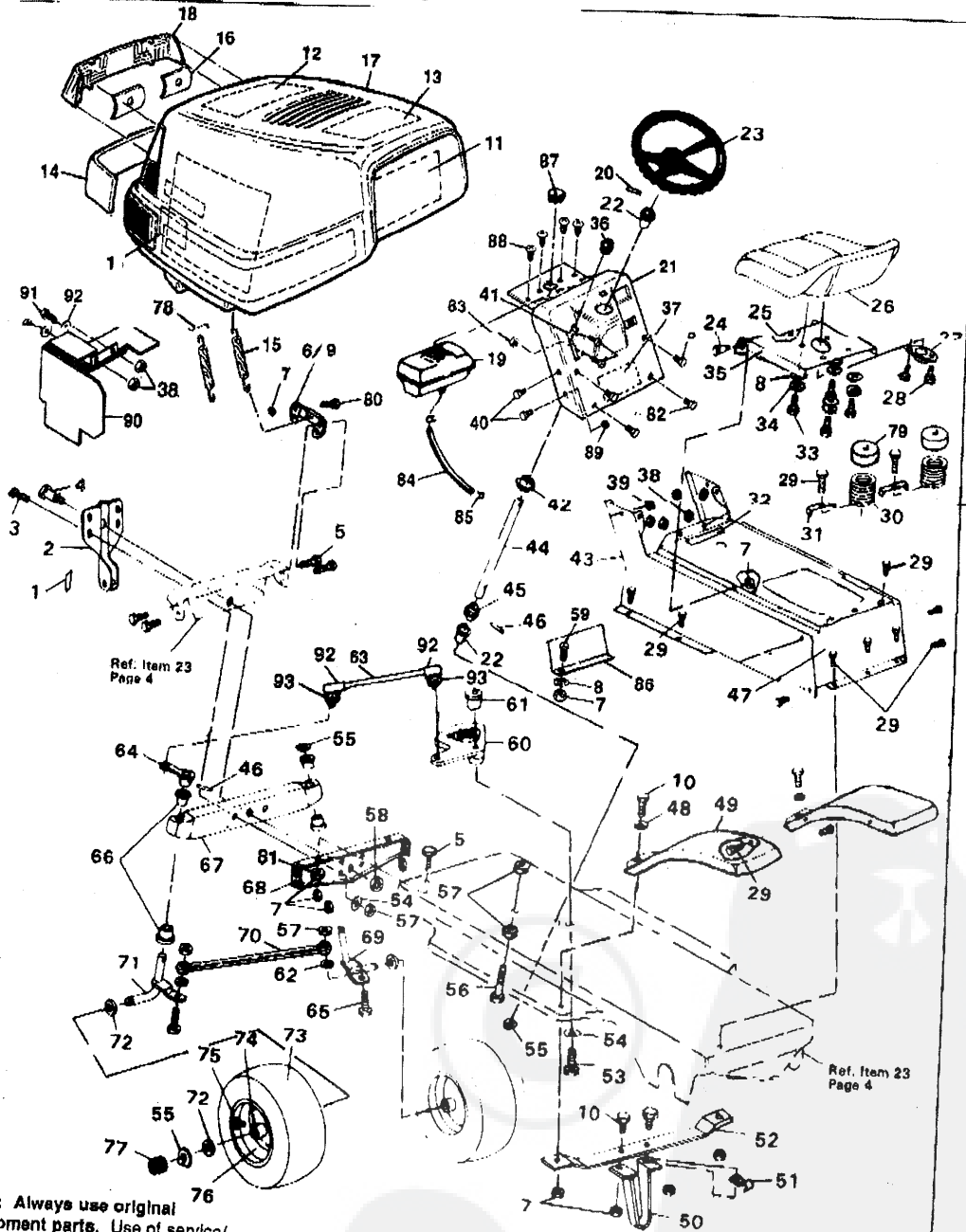
A handling fee is applicable to small parts orders.

Key No.	Part No.	Description	Key No.	Part No.	Description
1	302601	Spacer, Sleeve	51	43980	Rod, Clutch
2	55024	Wire	52	303031	Pulley, Idler
3	120238	Nut, Hex Jam, 1/2 - 13 Thd.	53	274517	Flatwasher, 13/32 In.
4		Engine	54	1306	Idler Arm
5	54873	Trough Oil Drain	55	45892	Carriage Bolt, 3/8 - 16 x 1-1/2 In.
6	20864	E-Ring	56	303151	Key, Engine Pulley
7	302445	Shift Tube	57	310250	Pulley, Engine
8	57034	Screw, 10 - 24 x 5/8	58	120383	Lockwasher, Split, 7/16 In.
9	50562	Spring, Clutch Pedal	59	49896	Belt Guide, Trans. Drive Belt
10	120393	Flatwasher, 11/32 In.	60	50653	Belt Guide, Blade Drive
11	121222	Pin, Cotter 3/32 x 3/4 In.	61	493146	Screw, Hex Hd, 7/16 - 20 x 1 In.
12	302603	Brake Pedal Assembly	62	304438	Knob, Gear Shift
13	53979	Rubber Pad, Brake-Clutch Pedal	63	302283	Shift Lever
14	302600	Rod, Pivot	64	56255	Screw, Nylock, 1/4 - 28 x 3/4 In.
15	310189	Rod, Brake	65	57157	Washer
16	271184	Nut, Hex Keps, 5/16 - 18 Thd.	66	57480	Shift Bracket
17	54723	Bracket, Brake Rod	67	137185	Pin Cotter, 1/8 x 1 In.
18	20507	Shoulder Bolt, 5/16-18 Thd.	68	12653	Operator's Manual (Not Illustrated)
19	1498	Locknut, Hex, 5/16 - 18 Thd.	69	301187	Parts Manual (Not Illustrated)
20	310004	Foot Pad, Right	70	305427	Rubber Belt Guard, R.H.
21	45602	Washer	71	271190	Nut, 3/8 - 16 Keps
22	54888	Retainer, Wire	72	305395	Rubber Belt Guard, L.H.
23	311116	Main Frame	73	120638	Lockwasher, 21/64 In.
24	310003	Foot Pad, Left	74	1499	Locknut, 3/8-16 Thd.
25	49276	Spring, Main Drive	75	138489	Washer, Star
26	4107	Washer	76	302967	Engine Speed Reducer
27	41890	Shoulder Bolt, 5/16-18 Thd.	77	57444	Wire Tie
28	120228	Screw, Hex Hd, 5/16 - 18 In.	78	50947	Screw, 3/8-16 x 1-1/4 In.
29	7707	Bracket, Axle	79	1501	Washer
30	138485	Star Washer, 5/16 In.	80	271166	Nut, #10 - 24
31	40394	Hub Cap			
32	36625	"E" Ring			
33	42815	Flatwasher, 3/4 In.			
34	642	Flatwasher			
35	35410	Spring, Brake Return			
36	303188	Transaxle, Foote 4360-3			
37	180112	Screw, Hex Hd, 5/16 - 18 x 2-3/4 In.			
38	45000	Valve Stem			
39	24187	Valve Stem			
40	36182	Wheel			
41	39628	Key, 3/16 x 3/16 x 2-1/2 In.			
42	35498	Screw, Hex Wa Hd, 5/16 - 18 x 3/4 In.			
43	122017	Screw, Hex Hd, 5/16 - 18 x 1 In.			
44	309770	Bracket, Stabilizer			
45	54758	V-Belt			
46	302745	Pulley, Transaxle			
47	3021	Key, Woodruff No. 606			
48	22053	Retaining Ring			
49	41528	Jam Nut, Hex 3/8 - 16 Thd.			
50	39659	Belt Retainer			

Part No. 301187

*Repair Parts*

**32" Lawn Tractor Model A3554-120**



Note: Always use original equipment parts. Use of service/replacement parts other than the original equipment parts may void your warranty.

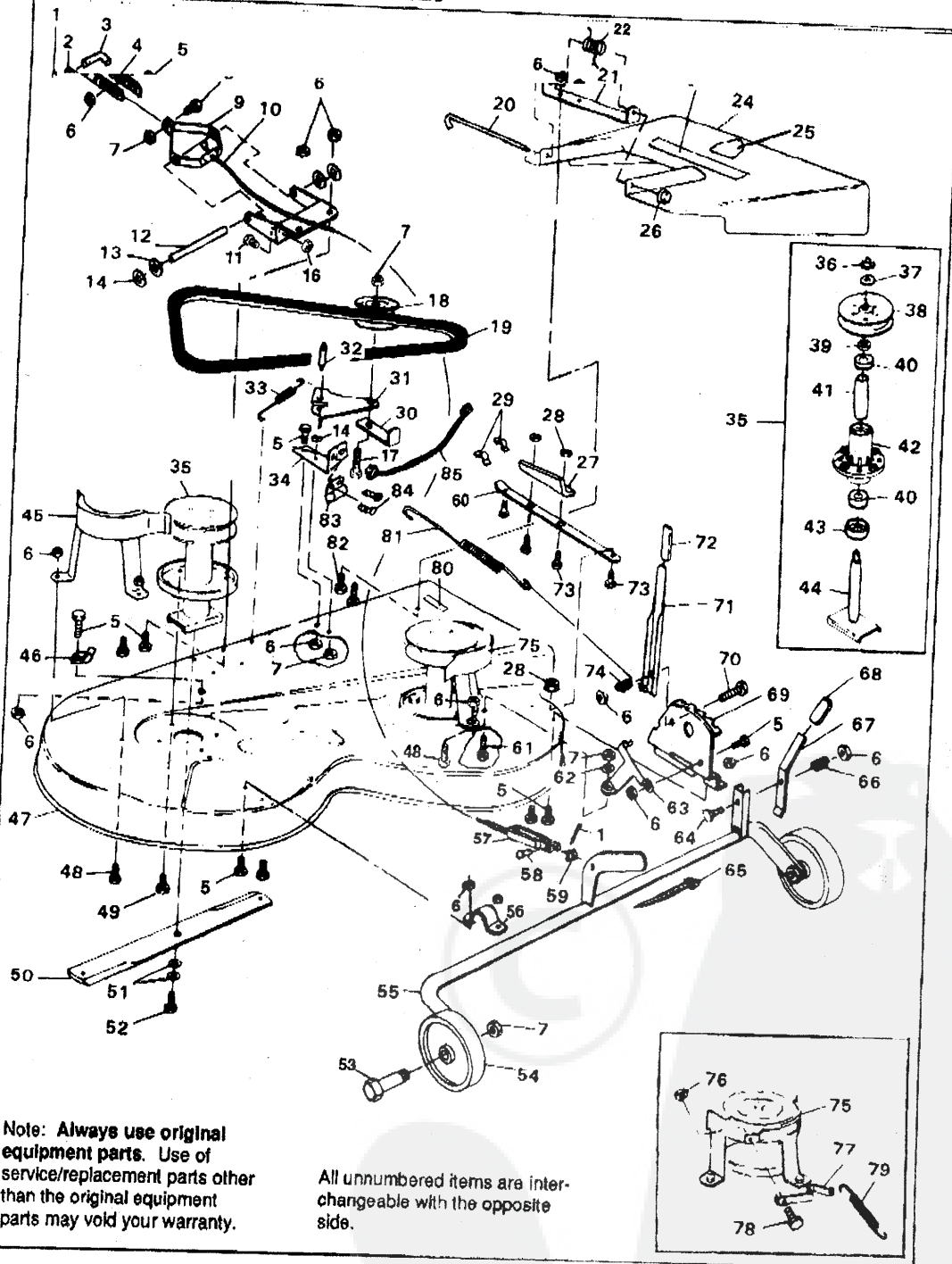
All unnumbered items are interchangeable with the opposite side.

## 32" Lawn Tractor Model A3554-120

Key No.	Part No.	Description	Key No.	Part No.	Description
1	301452	Decal, Heat Reflector	62	120382	Lockwasher, Split, 3/8 In
2	8541	Bracket, Deck Hanger	63	302689	Drag Link Assembly
3	122201	Screw, Hex Hd, 3/8-16 x 2-3/4 In.	64	49447	Arm, Steering
4	50720	Shoulder Bolt, Axle Pivot	65	122145	Screw, Hex Hd, 3/8-16 x 1-1/4 In.
5	56030	Screw, Hex Hd, 5/16-18 x 3/4 In.	66	50546	Bearing, Spindle
6	9778	Bracket, Grille Support, R.H.	67	56399	Front Axle
7	1498	Locknut, Hex, 3/16-18 Thd.	68	56362	Bracket, Front Axle Support
8	120393	Flatwasher, 11/32 In.	69	49658	Spindle, Right
9	9779	Bracket, Grille Support, L.H.	70	302691	Tie Rod Assembly
10	122017	Screw, Hex Hd, 5/16-18 x 1 In.	71	49659	Spindle, Left
11	305603	Foam, Hood R.H.	72	642	Flatwasher, 3/4 In.
12	307276	Foam, Hood Top Front	73	41060	Tire
13	307277	Foam, Hood Top Rear	74	39979	Bearing
14	305737	Bumper	75	24167	Valve Stem
15	304784	Spring, Hood Latch	76	39937	Wheel, W/Bearing
16	12520	Reflector, Light	77	40394	Hub Cap
17	12508	Hood	78	12562	Anchor, Hood Spring
18	302670	Lens	79	302099	Cover, Seat Spring
19	302579	Gas tank	80	56676	Shoulder Bolt
20	456378	Spring pin 1/4 x 2 in.	81	55273	Locknut, Hex Hd, 5/16-18
21	12508	Dash Assembly	82	35291	Screw, Hex Hd, #10 - 24 x 1/2
22	54902	Bearing, Steering	83	271166	Nut, Hex Keps, #10 - 24
23	301251	Steering Wheel	84	47452	Gas line
24	20507	Shoulder Bolt	85	41008	Clip, gas line
25	41482	Press Clip	86	8261	Console Bulkhead
26	307661	Seat	87	46704	Gas cap
27	57547	Switch, Seat	88	49050	Screw, plastite, 1/4 - 20 x 3/4
28	160505	Screw, Ph Hd, 1/4-20 x 3/8 In.	89	50352	Locknut, Wd. Fl. 1/4 - 20 Thd.
29	995346	Screw, Tapite, 1/4 - 20 x 1/2 In.	90	304815	Heat Shield
30	56220	Spring, Seat	91	180018	Screw, 1/4-20 x 1/2 In.
31	1341	Clip, Seat Spring	92	21275	Ball Joint
32	68902	Decal, Caution	93	124925	Nut, 3/8 - 24
33	122007	Screw, Hex Hd, 5/16 - 18 x 3/4 In.			
34	120638	Lockwasher, Split, 5/16 In.			
35	304761	Seat Bracket			
36	50607	Knob, Throttle Control Lever			
37	307412	Decal, Lower Dash			
38	1502	Locknut, Hex, 1/4 - 20 Thd.			
39	120369	Nut, Hex, 3/8-24 Thd.			
40	995338	Screw, Hex Hd, Cap 1/4-20 x 5/8 in.			
41	303275	Lever, Throttle Control			
42	39492	Retaining Ring			
43	309751	Console			
44	303261	Shaft, Steering			
45	44009	Pinion Gear			
46	454565	Roll Pin			
47	8521	Cover, Console, Rear			
48	446363	Flatwasher, 5/16 In.			
49	3606	Fender			
50	49899	Bracket, Rear Deck Guide			
51	57569	Retainer, Wire			
52	43964	Bracket, Deck Guide Support			
53	39573	Screw, Hex Hd, Lock, 3/8 - 24 x 1 In.			
54	2483	Spring Washer			
55	36625	"E" Ring			
56	49930	Upstop Bolt			
57	1499	Locknut, 3/8 - 16 Thd			
58	274654	Nut, Hex Hd, 1/2 - 20 Thd.			
59	120228	Screw, 5/16 - 18 x 5/8 In.			
60	304245	Sector Gear			
61	44011	Shoulder Bolt, Sector Gear			

**Repair Parts**

**32" Lawn Tractor Model A3554-120**



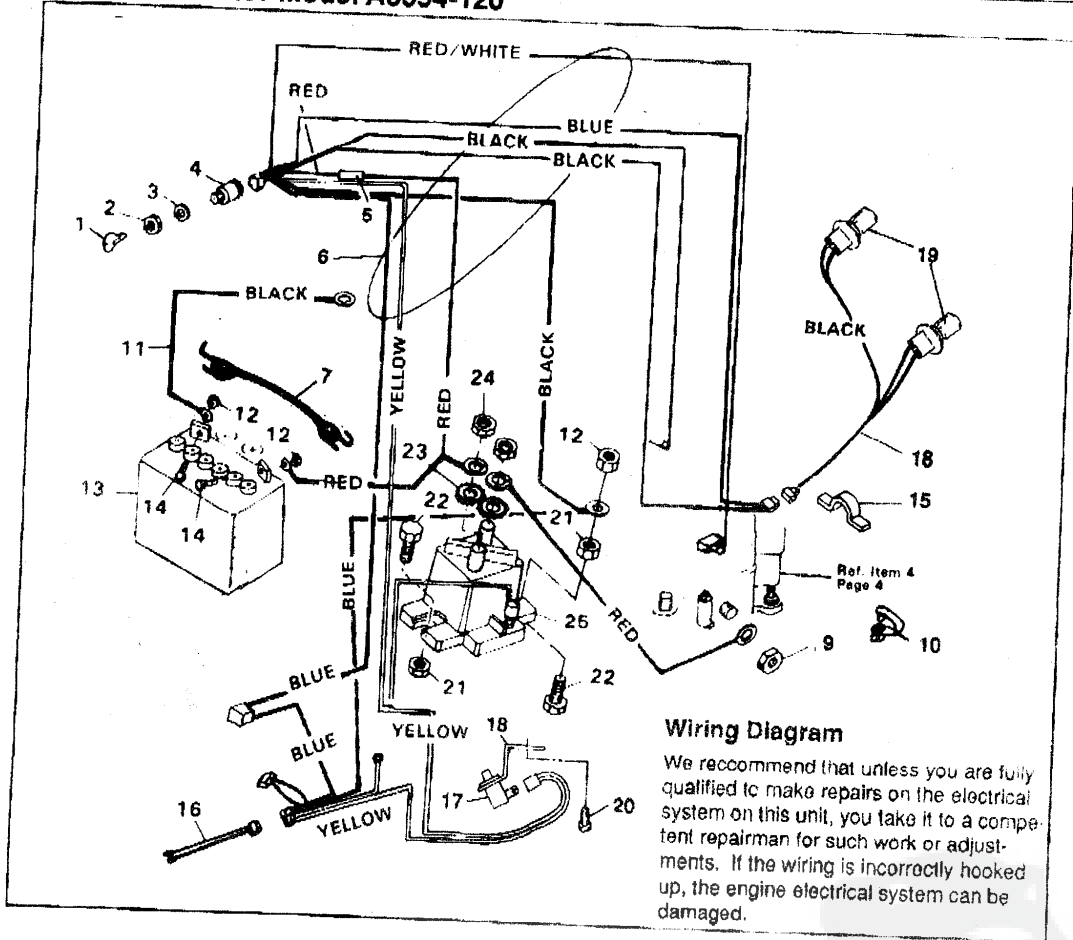


**32" Lawn Tractor Model A3554-120**

Key No.	Part No.	Description	Key No.	Part No.	Description
1	56180	Hairpin Cotter	62	120394	Flatwasher, 13/32 In.
2	49059	Bar Hitch	63	53781	Brace, Height Adjust Bracket
3	47816	Pull Pin	64	120696	Screw, Hex Hd, 5/16-18 x 2 1/4 In.
4	49058	Lock Bracket	65	57444	Tie, Wire
5	120228	Screw, Hex Hd, 5/16-18 x 5/8 In.	66	53248	Spring, Height Adjust Lever
6	1498	Locknut, 5/16-18 Thd.	67	8909	Lever, Height Adjust
7	1499	Locknut, 3/8-16 Thd.	68	53995	Hand Grip, Height Adjust Lever
8	120918	Screw, Hex Hd, 3/8-16 x 1-1/2 In.	69	12559	Bracket, Height Adjust
9	50613	Pivot Bracket	70	122040	Screw, Hex Hd, 5/16-18 x 1-1/2 In.
10	57511	Lift Cable	71	9126	Lever, Deck Engage
11	55686	Screw, Truss Hd, 1/4-20 x 5/8 In.	72	55213	Hand Grip, Deck Engage Lever
12	56724	Pivot Rod	73	126218	Carriage Bolt, 5/16-18 x 3/4 In.
13	996425	Flatwasher, 33/64 In.	74	29170	Spring, Deck Engage Lever
14	20864	Retaining Ring "E"	75	307653	Belt Guard, R.H. Pulley
15	49676	Lift Support Plate	76	997316	Locknut, No. 10-24 Thd.
16	271172	Keps Nut, 1/4-20 Thd.	77	44992	Spring, Bolt Brake
17	122181	Screw, Hex Hd, 3/8-16 x 2 In.	78	443874	Screw, Hex Hd, No. 10-24 x 1/2 In.
18	39498	Idler Pulley, Drive	79	12566	Spring, Brake Release
19	45186	V-Belt	80	68901	Decal, Height Adjust
20	57430	Rod, Chute Pivot	81	12557	Spring, Blade Throwout
21	57432	Pivot Bracket	82	122007	Screw, Hex Hd, 5/16-18 x 3/4 In.
22	57431	Spring, Chute Pivot	83	57476	Switch Lockout
23	57220	Screw, No. 12 x 1/2 In.			
24	12583	Chute Guard			
25	57564	Wire Assembly, Deck Switch			
26	57507	Push Nut			
27	55648	Deflector			
28	271184	Nut, Hex Keps, 5/16-18 Thd.			
29	41482	Wire Clip, Press			
30	3382	Belt Retainer			
31	304883	Bracket, Idler			
32	40305	Shoulder Pin			
33	41357	Spring, Blade Throwout Return			
34	57519	Mounting, Bracket, Switch			
35	56289	Quill Assy. (Includes Nos. 36-44)			
36	1282	Flange Nut, 7/16-20 Thd.			
37	56365	Flatwasher			
38	56391	Pulley			
39	56280	Spacer			
40	49562	Bearing			
41	50818	Spacer, Tube			
42	55547	Quill Casting			
43	50616	Dust Shield, Quill			
44	56623	Saddle and Shaft Assembly			
45	307652	Belt Guard, L.H. Pulley			
46	57569	Retainer, Wire			
47	306568	Mower Deck			
48	122017	Screw, Hex Hd, 5/16-18 x 1 In.			
49	50834	Screw, Taptite, 5/16-18 x 7/8 In.			
50	56820	Blade, 16 In.			
51	2489	Spring Washer			
52	39573	Screw, Taptite, 3/8-24 x 1 In.			
53	23763	Shoulder Bolt			
54	52584	Wheel Assembly, Deck			
55	12561	Pivot Tube Assembly			
56	51985	Support, Pivot Tube			
57	9405	Clevis, Lift Cable			
58	39522	Pin, Clevis			
59	120372	Nut, Square, 1/4-20 Thd.			
60	55370	Skid Bar			
61	180120	Screw, Hex Hd, 3/8-16 x 3/4 In.			

Part No. 301187

**Repair Parts**  
**32" Lawn Tractor Model A3554-120**



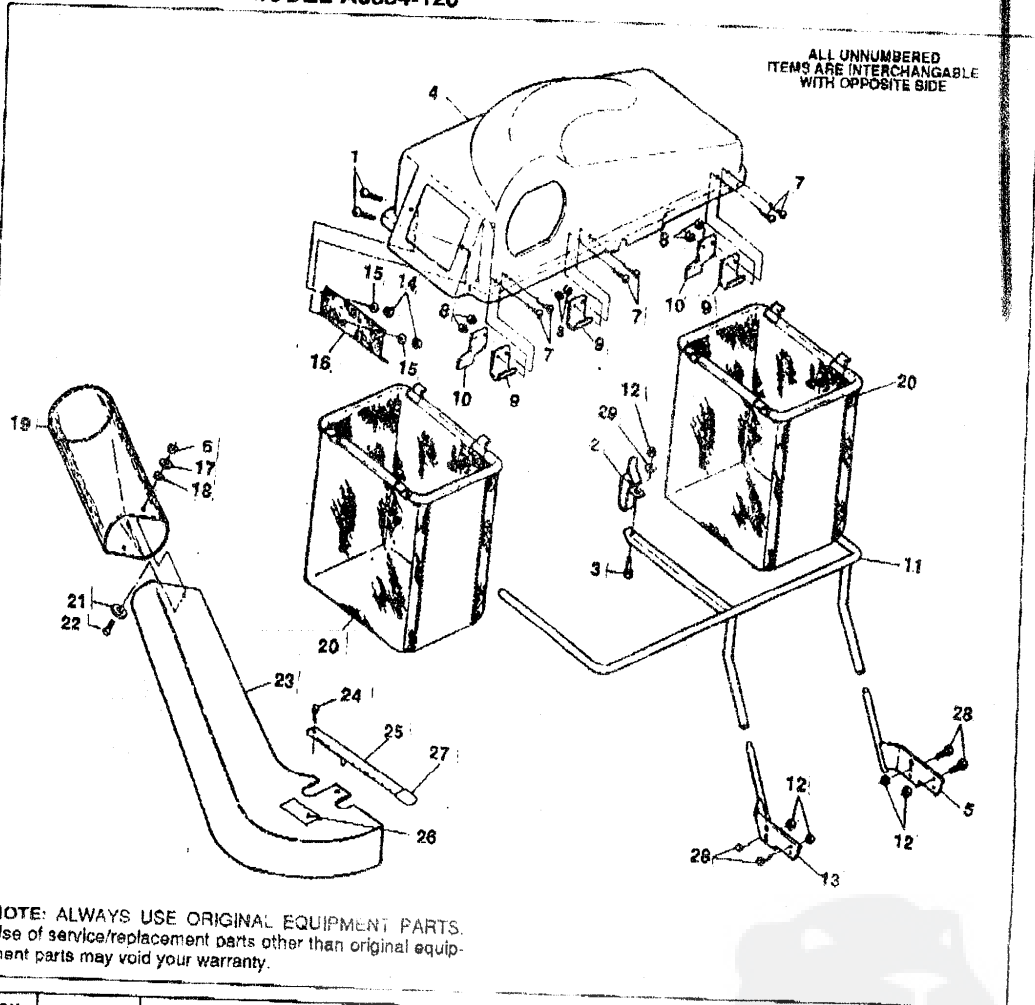
**Wiring Diagram**

We recommend that unless you are fully qualified to make repairs on the electrical system on this unit, you take it to a competent repairman for such work or adjustments. If the wiring is incorrectly hooked up, the engine electrical system can be damaged.

Key No.	Part No.	Description
1	300626	Key, Ignition
2	48140	Locknut (Switch Part)
3	138557	Lockwasher (Switch Part)
4	300687	Switch, Ignition
5	302031	Fuse
6	57642	Wire Harness Assembly
7	309862	Rubber Strap
8	303064	Headlight Lead Wire
9		Engine Part
10	54888	Wire Retainer
11	55511	Ground Wire
12	271172	Nut, Keps, 1/4-20 Thd.
13	302257	Battery
14	120854	Screw, Hex Hd, 1/4-20 x 5/8 In.
15	41482	Wire Clip, Press
16	57564	Wire Assembly, Deck Switch

Key No.	Part No.	Description
17	300220	Safety Switch
18	302610	Bracket, switch mounting
19	52572	Bulb, Headlight
20	995346	Screw, tapite, 1/4 - 20 x 1/2 in.
21	1502	Locknut, Hex, 1/4-20 Thd.
22	187745	Screw, Hex Hd, 1/4-20 x 3/4 In.
23	138485	Washer, Shakeproof, 5/16 In.
24	120368	Locknut, Hex 5/16-24 Thd.
25	53716	Solenoid

**32" RIDING MOWER MODEL A3554-120**



Key No.	Part No.	Description
1	57034	Screw, SI Fl Hd, No. 10-24 x 5/8 In.
2	12346	Latch, Bagger
3	120393	* Flatwasher, 11/32 In.
4	306944	Cover
5	180075	* Screw, 5/16-18 x 5/8 In.
6	1498	Locknut, 5/16-18 Thd.
7	55686	Screw, SI Rd Hd, 1/4-20 x 5/8 In.
8	271172	* Nut, Keps, 1/4-20 Thd.
9	300278	Hinge, Cover
10	300624	Retainer Strap
11	1253	Support Assembly
12	271166	Nut, Keps, No. 10-24
13	1501	Flatwasher, 13/64 In.
14	300115	Screen
15	57628	Flatwasher, 9/32 In.
16	57506	Rubber Grommet
17	57667	Upper Tube Assembly

Key No.	Part No.	Description
18	58283	Bag
19	120386	* Flatwasher, 5/16 In.
20	180020	* Screw, Hex Hd, 1/4-20 x 3/4 In.
21	57786	Chute, Transition
22	35497	Screw, Taplts, 5/16-18 x 1 In.
23	58320	Lever, Latch
24	306489	Decal, Transition Chute
25	42348	Tab
26	180079	* Screw, Hex Hd, 5/16-18 x 1 In.
27	1347	Bracket Assy, Support Mount, R.H.
28	55273	Locknut, Wide Flange, 5/16-18 Thd.
29	1349	Bracket Assy, Support Mount, L.H.
30	306490	Decal, Cover
31	306932	Blade, High Lift
32	1502	* Locknut, 1/4-20 Thd.
33	311215	Grass Catcher Manual (French)
34	305088	Grass Catcher Manual (English)

(\*) Standard Hardware Items - May Be Purchased Locally  
Part No. 301187

## ACCESSORIES

Contact the dealer where your tractor was purchased for the available accessories. If you are unable to contact the dealer, write to the address on the front cover of this manual.

### Rear Engine Rider

Model	Description
5709-16	Bagger - Fits 32" Side Discharge
5708-17	Bagger - Fits 36" Side Discharge
5709-02	Front Weight Box - holds 35 lbs.
5648-16	Lawn Sweeper w/dump Release

### Lawn Tractor

Model	Description
5708-22	Bagger - Fits 30" Side Discharge
5708-13	Bagger - Fits 36", 38", 39" & 45" Side Discharge
5705-04	36" Two-Stage Snowblower - Fits 36", 38", 39", & 45" Side Discharge
5661-06	42" Snowblade - Fits 36", 38", 39", & 45"
5592-00	Tire Chains - 18" x 6.50"
5685-00	Tire Chains - 18" x 9.50" & 20" x 8"
5672-01	Wheel Weights - Front - 1 pr. w/mtg. hdw. - Fits 15" tires
5673-02	Wheel Weights - Rear - 1 pr. w/mtg. hdw. - Fits 18" & 20" tires
5709-03	Front Weights - Fits 30" & 32" Side Discharge
5648-16	Lawn Sweeper w/dump Release

### Garden Tractor - Light Ground Engaging

Model	Description
5708-13	Bagger - Fits 36", 38", 39", & 45" Side Discharge
5705-04	36" Two-Stage Snowblower - Fits 36", 38", 39", & 45"
5661-06	42" Snowblade - Fits 36", 38", 39", & 45"
5672-01	Wheel Weights - Front - 1 pr. w/mtg. hdw. - Fits 15" tires
5673-02	Wheel Weights - Rear - 1 pr. w/mtg. hdw. - Fits 18" & 20" tires
5648-16	Lawn Sweeper w/dump Release
5667-02	Sleeve Hitch - w/lift bar - Fits 45"
5668-01	Adapter (sleeve hitch) for use w/23" tires
5706-00	Tire Chains - 20" x 10"
5671-00	Tire Chains - 23" x 9.50"
5672-02	Wheel Weights - Front - 1 pr. w/mtg. hdw. - Fits 16" tires
5673-00	Wheel Weights - Rear - 1 pr. w/mtg. hdw. - Fits 20" tires
5674-01*	10" One Bottom Moldboard Plow
5675-01*	Cultivator - 7 row - Adj. 6" - 42" width
5676-01*	Disc Harrow - 8" & 11" disc - Adj. width & disc angle
5677-02*	Tiller - 5 H.P. Self-Powered - 28" width

### Four Wheel Steer

Model	Description
5708-14	Bagger - Fits 40" & 46" Side Discharge
5705-05	42" One-Stage Snowblower - Fits 40" & 46"
5661-07	48" Snowblade - Fits 40" & 46"
5709-04	Rear Weight Box for 40" & 46"
5648-16	Lawn Sweeper w/dump Release
5706-00	Tire Chains - 20" x 10"
5671-00	Tire Chains - 23" x 9.50"
5672-02	Wheel Weights - Front - 1 pr. w/mtg. hdw. - Fits 16" tires
5673-00	Wheel Weights - Rear - 1 pr. w/mtg. hdw. - Fits 23" tires
5672-01	Wheel Weights - Front - 1 pr. w/mtg. hdw. - Fits 15" tires
5673-02	Wheel Weights - Rear - 1 pr. w/mtg. hdw. - Fits 18" & 20" tires

### Four Wheel Steer Garden Tractor

Model	Description
5667-04	Sleeve Hitch - w/lift bar - Fits 45"
5674-01*	10" One Bottom Moldboard Plow
5675-01*	Cultivator - 7 row - Adj. 6" - 42" width
5676-01*	Disc Harrow 8" & 11" Disc - Adj. width & disc angle
5677-02*	Tiller 5 H.P. Self-Powered - 28" width
5648-16	Lawn Sweeper w/dump Release

\*Requires a sleeve hitch