

# DYNAMARK TUREMASTER

REAR BAGGER

BAC ARRIERE

OPVANGBAK

SERIAL N°

5708-1402

FOR - POUR - VOOR

40-42-43"

SANS

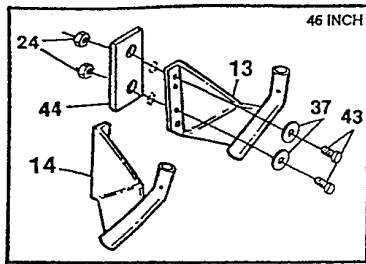
ZONDER

} AIR-ASSIST

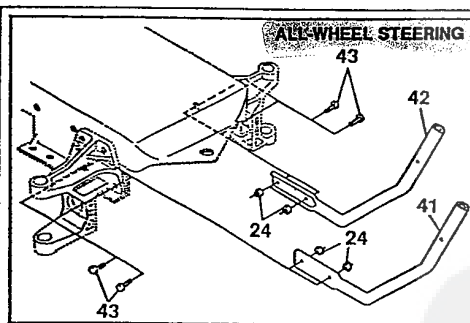
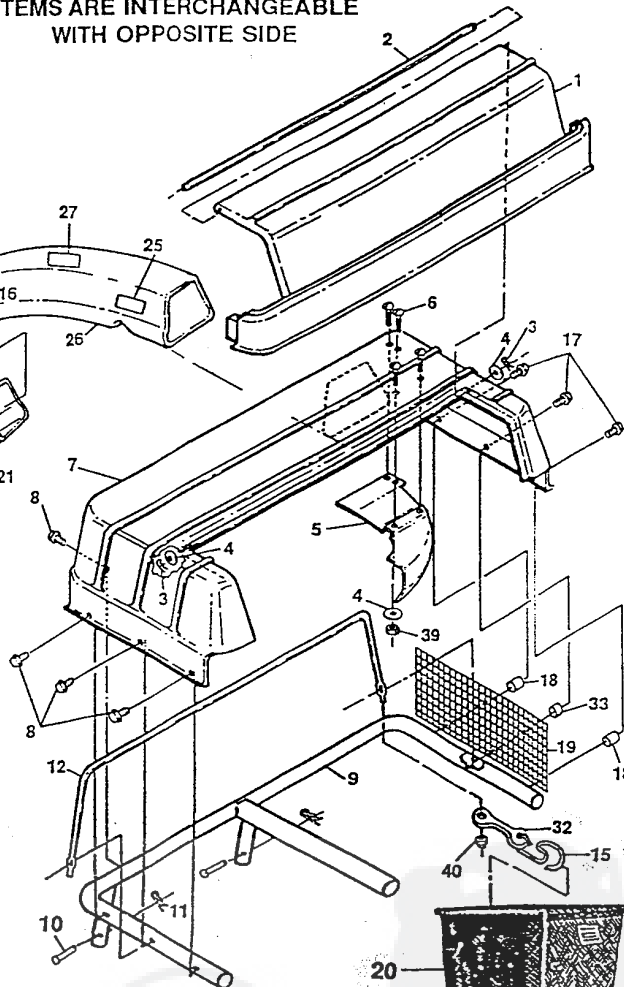
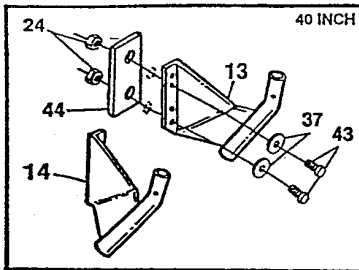
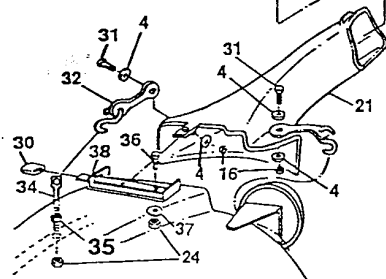
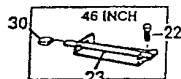
5708 3400

# REPAIR PARTS

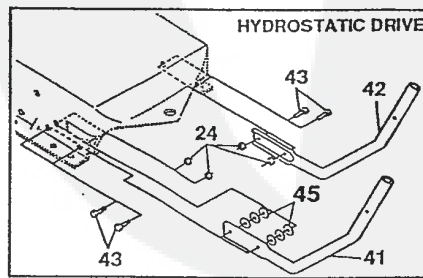
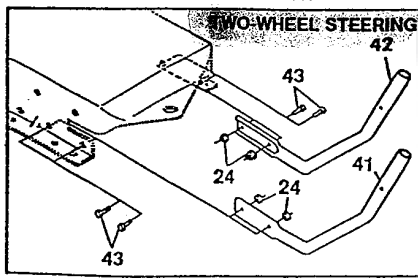
40"- 46" REAR MOUNTED, SIDE DISCHARGE GRASS CATCHER MODEL 5708-1402



ALL UNNUMBERED ITEMS ARE INTERCHANGEABLE WITH OPPOSITE SIDE



42 AND 43 INCH



NOTE: ALWAYS USE ORIGINAL EQUIPMENT PARTS. Use of service replacement parts other than original equipment parts may void your warranty.

## 40" - 46" REAR MOUNTED, SIDE DISCHARGE GRASS CATCHER MODEL 5708-1402

ALWAYS GIVE THE FOLLOWING INFORMATION WHEN ORDERING REPAIR PARTS:

1. The PART NUMBER; 2. The PART NAME; 3. QUANTITY DESIRED; 4. The MODEL NUMBER (As shown on Model Plate).

SEND PART ORDERS AS PER INSTRUCTIONS ON THE FRONT PAGE.

YOUR UNIT IS RIGHT HAND (RH) OR LEFT HAND (LH) AS YOU STAND BEHIND IT.

DO NOT USE KEY NUMBERS WHEN ORDERING REPAIR PARTS, ALWAYS USE PART NUMBERS.

All replacement parts will be supplied in current production colors or in a neutral color.

A handling fee is applicable to small parts orders.

Key No.	Part No.	Description	Key No.	Part No.	Description
1	309320	Lid, Grass Catcher	24	1498	*Locknut, 5/16-18 Thd.
2	310194	Pivot Rod	25	306498	Decal, Full Indicator
3	121223	Pin, Cotter .062 Dia. x 3/4 In.	26	305319	Chute, Upper
4	120392	Flatwasher, 9/32 In.	27	70325	Decal, Danger
5	305197	Baffle, Grass Catcher	28	121887	Screw, Hex Hd, 1/4-20 x 3/4 In.
6	55686	Screw, Slit, Ma Hd, 1/4 x 5/8 In.	29	306492	Latch, Lever
7	309295	Cover, Grass Catcher	30	42348	Tab, Plastic
8	44811	Screw, Taptite, 1/4-20 x 3/4 In.	31	121900	Screw, Hex Hd, 1/4-20 x 1 In.
9	309709	Grass Catcher Support	32	57505	Strap, Rubber
10	308619	Pin, Clevis, 1-3/4 inch	33	309296	Spacer
11	56180	Pin, Cotter, .091 Dia. x 1-5/8 In.	34	51183	Bolt, Eye, 5/16-18 x 2 In.
12	311652	Support Rod	35	271184	Nut, Keps, 5/16-18 Thd.
13	309712	Bracket Assy., R.H.	36	122017	Screw, Hex Hd, 5/16-18 x 1 In.
14	309711	Bracket Assy., L.H.	37	120393	Flatwasher, 11/32 In.
15	309648	Rubber Strap, Hold Down	38	9137	Lever Assembly (40 & 43 in. mower deck)
16	1502	*Locknut, 1/4-20 Thd.	39	271172	Nut, Keps, 1/4-20 Thd
17	306487	Screw, Taptite, 1/4-20 x 1-1/2 In.	40	73664	Push Nut
18	306079	Spacer	41	316611	Mounting Bracket, L.H.
19	306262	Screen	42	316612	Mounting Bracket, R.H. (Used on hydro unit only)
20	309365	Bag, Grass Catcher	43	186677	Screw, 5/16-18 x 1 inch.
21	305904	Chute, Lower, (46 inch mower deck)	44	315163	Bracket, Plate Bagger
21	305903	Chute, Lower, (40 & 43 in. mower deck)	45	4230	Flatwasher, 11/32 inch (Hydro only)
22	35497	Screw, Tap, 5/16-18 x 1/2 In., (46 inch mower deck)	46	316930	Owner's Manual (Not Illustrated)
23	306288	Lever Assembly, (46 inch mower deck)			

(\* Standard Hardware Items - May be Purchased Locally.