

DYNAMARK TUFMASTER

REAR BAGGER

BAC ARRIERE

OPVANGBAK

SERIAL N°

5708-1803

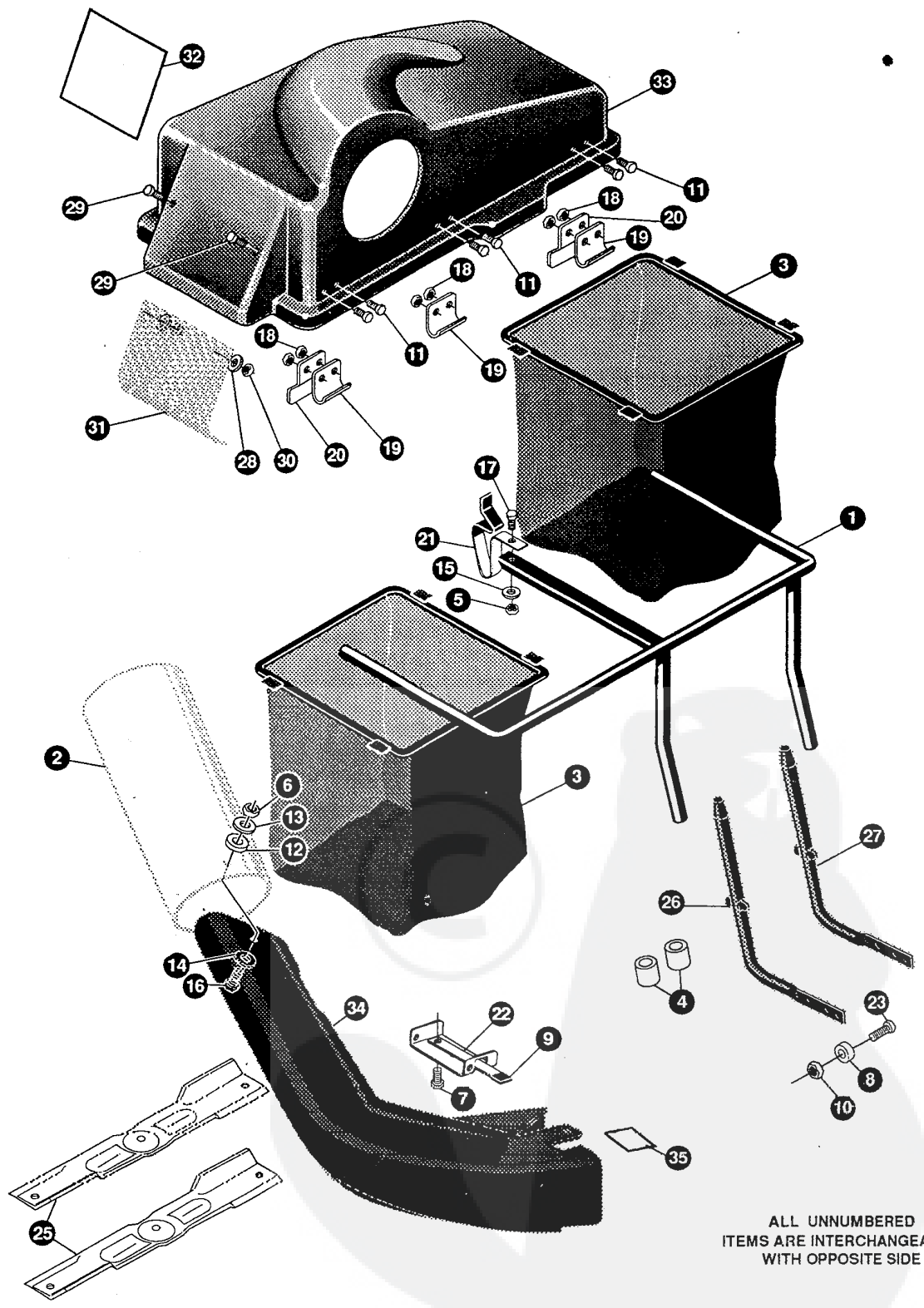
FOR - POUR - VOOR
TRACTEUR 12/38
TREKKER 12/38

38"

REPAIR PARTS

REAR MOUNTED, SIDE DISCHARGE GRASS CATCHER MODEL 5708-1803

NOTE: ALWAYS USE ORIGINAL EQUIPMENT PARTS. Use of service replacement parts other than original equipment parts may void your warranty.



327699A

REPAIR PARTS

REAR MOUNTED, SIDE DISCHARGE GRASS CATCHER MODEL 5708-1803

ALWAYS GIVE THE FOLLOWING INFORMATION WHEN ORDERING REPAIR PARTS:

1. The PART NUMBER; 2. The PART NAME; 3. QUANTITY DESIRED; 4. The MODEL NUMBER (As shown on Model Plate).
SEND PART ORDERS AS PER INSTRUCTIONS ON THE FRONT PAGE.

YOUR UNIT IS RIGHT HAND (RH) OR LEFT HAND (LH) AS YOUR STAND BEHIND IT.
DO NOT USE KEY NUMBERS WHEN ORDERING REPAIR PARTS, ALWAYS USE PART NUMBERS.

All replacement parts will be supplied in current production colors or in a neutral color.

A handling fee is applicable to small parts orders.

| key# | part# | description | qty. |
|------|------------|----------------------------------|------|
| 1. | 58282-853 | SUPPORT ASSY | 1 |
| 2. | 57667 | TUBE, UPPER 23X 6.75 | 1 |
| 3. | 58283 | BAG, GRASS COLLECTOR | 2 |
| 4. | 302131 | SPACER HDWE PK | 1 |
| 5. | 1498 | NUT, 5/16-18 REGHEXCTRLK | 1 |
| 6. | 1502 | NUT, 1/4-20 REGHEXCTRLK | 2 |
| 7. | 35497 | SCREW, 5/16-18X .50 WAHTAP | 1 |
| 8. | 41462 | SPACER, SLEV .328X .75X .312 FM | 4 |
| 9. | 42348 | GRIP-LEVER GRASS COLLECTOR | 1 |
| 10. | 55273 | NUT, 5/16-18 HXWDFLLK | 4 |
| 11. | 55686 | SCREW, 1/4-20X .63 SLTRMA BLK | 6 |
| 12. | 57506 | GROMMET | 2 |
| 13. | 57626 | WASHER, FLAT .281X1.25X.06 | 2 |
| 14. | 120386 | WASHER, FLAT .312X .73X.065 | 2 |
| 15. | 120393 | WASHER, FLAT .344X .69X.065 | 1 |
| 16. | 180020 | SCREW, 1/4-20X .75 HHC GR5 | 2 |
| 17. | 180075 | SCREW, 5/16-18X .63 HHC GR5 | 1 |
| 18. | 271172 | NUT, 1/4-20 REGHEXKEPS | 6 |
| 19. | 300278-853 | HINGE, COVER | 3 |
| 20. | 300624-853 | STRAP, RETAINER | 2 |
| 21. | 307981-853 | BAGGER LATCH | 1 |
| 22. | 322320-853 | LEVER ASSY (SHORT) | 1 |
| 23. | 180083 | SCREW, 5/16-18X1.50 HHC GR5 | 4 |
| 25. | 306932 | BLADE, 19.69 HIGH LIFT HTTR955 | 2 |
| 26. | 327637 | ROD-GRASS COLLECTOR "A" | 1 |
| 27. | 327638 | ROD-GRASS COLLECTOR "B" | 1 |
| 28. | 1501 | WASHER, FLAT .203X .56X.040 | 2 |
| 29. | 57034 | SCREW, 10-24X .63 TRHMA GR2BK | 2 |
| 30. | 271166 | NUT, #10-24 HEXKEPS | 2 |
| 31. | 300115 | SCREEN, GRASS CATCHER | 1 |
| 32. | 306490 | DECAL, COVER TRI-LINGUAL | 1 |
| 33. | 306943 | COVER, GRASS COLLECTOR FER | 1 |
| 34. | 314842 | CHUTE, TRANSITION 36,39,45" DECK | 1 |
| 35. | 306489 | DECAL, DANGER CHUTE TRI-LINGUAL | 1 |
| 36. | 327717 | OPERATOR'S MANUAL (NOT SHOWN) | 1 |