

OWNER'S MANUAL REAR MOUNTED, SIDE DISCHARGE GRASS CATCHER MODEL 5708-1803

ONE YEAR LIMITED WARRANTY

For one (1) years from date of purchase by the first consumer for residential use (thirty (30) days commercial use), NOMA Outdoor Products Incorporated warrants that it will replace free of charge, including labor, any original part of any NOMA Outdoor Products Incorporated product found to be defective by any authorized Service Dealer or the factory, except the battery which is warranted for ninety (90) days from date of purchase.

This warranty does not cover engine, transmission, transaxle or differential (these items are covered by their manufacturer's own warranty). This warranty does not cover parts that have failed due to normal wear or parts that have failed subject to misuse or abuse. Transportation of the unit or part to and from an authorized Service Dealer or factory is the responsibility of the owner.

A step by step explanation as to what procedure should be followed for this Warranty is:

1. If a part becomes defective, contact the store where the unit was purchased for the name and address of the authorized Service Dealer nearest to you.
2. If you cannot locate an authorized Service Dealer, write Service Department of NOMA Outdoor Products Incorporated for the name and address of the authorized Service Dealer in your area or call the Service Department at 1-901-422-1690.
3. Return the defective product, along with proof of purchase to such authorized Service Dealer for replacement of any defective part where covered by this warranty.

There is no other express warranty. Implied warranties, including those of merchantability and fitness for a particular purpose are limited to one (1) years from date of purchase. Liability for incidental or consequential damages are excluded.

Some states do not allow limitations on how long an implied warranty lasts, so the above limitation may not apply to you. Some states do not allow the exclusion of incidental or consequential damages, so the above exclusion may not apply to you. This warranty gives you specific legal rights, and you may have other rights which vary from state to state.

NOMA Outdoor Products Incorporated Caller 8000 Jackson, TN 38308-8000

UNIT PARTS AND SERVICE

This manual contains instructions for safety, assembly and maintenance. Read this manual carefully and completely so that you will know proper assembly, use and care of your unit. Also fill in and mail the registration card packed with the unit. For service other than covered in this manual, contact an authorized service dealer. A nationwide parts and service organization has been established to provide locally available parts and service. A list of authorized parts distributors has been included in this manual. When ordering repair parts, always give the following information: 1. The Part Name; 2. The Part Number; 3. The Quantity desired; 4. The Full (eight digit) Model Number of the unit. The model number will be found on a plate attached to the unit.

 **Look for this symbol. It means - ATTENTION! BECOME ALERT! A HAZARD TO OPERATOR, BYSTANDER, PROPERTY OR EQUIPMENT MAY EXIST.**

NOMA Outdoor Products Incorporated
Caller 8000
Jackson, TN 38308-8000



OPERATIONAL PRECAUTIONS



THESE INSTRUCTIONS ARE FOR YOUR PROTECTION. PLEASE READ THEM CAREFULLY.

1. Know the controls and how to stop quickly. Read this Owner's Manual and review Riding Mower Manual. Wear safety glasses or eye shields while assembling or operating the riding mower with grass catcher attachment.
2. When using the riding mower with grass catcher attachment:
 - A. **DO NOT** operate the riding mower without the entire grass catcher assembly or discharge chute deflector in place.
 - B. Never make any adjustments or repairs while the engine is running.
 - C. Shut off engine when removing grass from grass catcher or unplugging mower chute or catcher tube.
 - D. **DO NOT** operate riding mower with grass catcher assembly while barefooted. **ALWAYS** wear substantial footwear, preferably steel-toed shoes. **DO NOT** wear loose fitting clothing that could get caught in any moving parts.
 - E. **ALWAYS** keep clear of discharge chute/tube or any moving parts while engine is running.
 - F. Mow only in daylight or good artificial light.
3. **ALWAYS** place the mower clutch lever in disengage position when not cutting grass, such as when crossing a rock or gravel driveway or roadway and when transporting the riding mower with grass catcher attachment.
4. Disengage mower blades, stop engine, remove ignition key and set parking brake before leaving operator's position.
5. Disengage power to mower blades, stop engine, remove ignition key, set parking brake and disconnect spark plug wire before making any repairs, adjustments or cleaning the riding mower or grass catcher attachment.
6. Check grass bags frequently for wear and/or deterioration. Replace worn or damaged bags.
7. **DO NOT** run engine indoors. Exhaust fumes contain **CARBON MONOXIDE** which is an **ODORLESS** and **DEADLY GAS**.
8. Take all possible precautions when leaving the riding mower unattended, such as disengaging the mower clutch lever, shifting into neutral, setting parking brake, stopping engine and removing ignition key.
9. **NEVER** store grass catcher with grass clippings in the catcher bags. Even a small pile of grass clippings can create enough heat to start a fire.
10. If grass catcher attachment will be used on other than level ground, the use of a front weight box is recommended.

OWNER'S INFORMATION

Record the following information about your unit so that you will be able to provide it in case of loss or theft.

MODEL NUMBER: - (Enter complete 8 digit number from model plate on unit)

PURCHASE DATE: ___ / ___ / ___ CODE NO.: _____ SERIAL NO.: _____

DEALER'S NAME AND ADDRESS: _____

CITY: _____ STATE: _____ TELEPHONE: _____

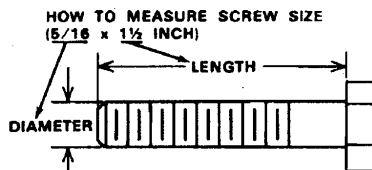
CONTENTS OF SHIPPING CARTON

- 1 - Grass Catcher Assembly
- 1 - Owner's Manual
- 2 - 19-1/2 inch Hi-Lift Blades (39" Deck)
- 2 - 18 inch Hi-Lift Blades (36" Decks)
- 1 - Mounting Bracket, "A"
- 1 - Mounting Bracket, "B"
- 1 - Grass Catcher Support
- 1 - Grass Catcher Cover Assembly
- 1 - Transition Chute
- 1 - Upper Tube
- 2 - Grass Bag Assemblies
- 1 - Bag of Assembly Parts Containing:
 - 1 - Bagger Latch
 - 2 - Rubber Grommets
 - 3 - Cover Hinges
 - 2 - Retainer Straps
 - 1 - Tab (Latch Lever)
 - 1 - Latch Lever
 - 6 - 1/4 x 5/8 inch Slot Head Screws
 - 2 - 1/4 x 3/4 inch Hex Head Screws
 - 6 - 1/4 inch Keps Nuts (star washer attached)
 - 2 - 1/4 inch Locknuts
 - 1 - 5/16 inch Locknut
 - 4 - 5/16 x 1-1/2 inch Hex Head Screws
 - 1 - 5/16 x 5/8 inch Hex Head Screw
 - 1 - 5/16 x 1/2 inch Hex Washer Head Self-Tap Screw
 - 4 - 5/16 inch Wide Flange Locknuts
 - 2 - 9/32 inch Flatwashers
 - 2 - 5/16 inch Flatwashers
 - 1 - 11/32 inch Flatwasher
 - 4 - 5/16 inch Spacers

The parts bag may contain more fasteners than are required for your kit.

TOOLS REQUIRED FOR ASSEMBLY

- 2 - 7/16 inch Wrenches (or adjustable wrenches)
- 2 - 1/2 inch Wrenches (or adjustable wrenches)
- 1 - Screwdriver
- 1 - Hammer (plastic or rawhide preferred)



ASSEMBLY



DANGER



This riding mower and grass catcher can be dangerous if carelessly used.

Read Operator's Manual thoroughly before operating machine.

Always wear safety glasses or eye shields when assembling or operating machine.

DO NOT carry passengers at any time.

Keep hands, feet, hair and loose clothing away from moving parts while engine is running.

DO NOT allow children or young teenagers to operate or be near machine while it is operating.

Your riding mower and grass catcher have a right and left side as you face forward while seated in operator's seat.

If you have operated your riding mower prior to installing grass catcher, remove any accumulation of grass clippings from mower deck before installing kit.

MOWER DECK ASSEMBLY (FIG. 1-ASSY)

1. Place latch lever (3) through hole in front of chute deflector bracket (4) (with stud on lever down) and secure at back end with a 5/16 x 1/2 inch self-tap screw (1). **NOTE:** Some riding mowers may have this lever already installed.

2. Place the plastic tab (2) onto front end of latch lever.

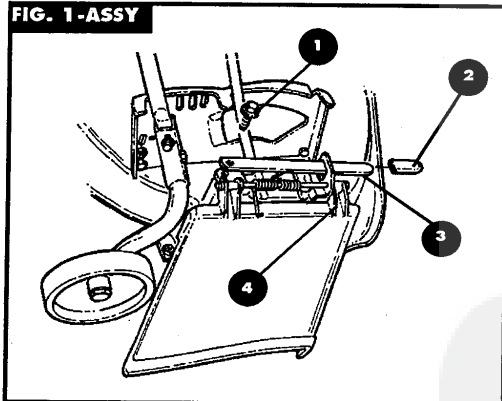
IMPORTANT: The blades on your mower deck are low-lift blades. These blades need to be replaced with the high-lift blades found in kit.

3. Remove mower deck. See **Mower Deck Removal** paragraph in the **Maintenance** section of your Owner's/Operator's manual.

4. Install 18 inch hi-lift blades on 36 deck and 19-1/2 inch blades on 38/39 inch deck. See **Blade Replacement** paragraph in the **Maintenance** section of your Owner's/Operator's manual for proper installation.

5. Reinstall mower deck.

FIG. 1-ASSY



TO INSTALL MOUNTING RODS

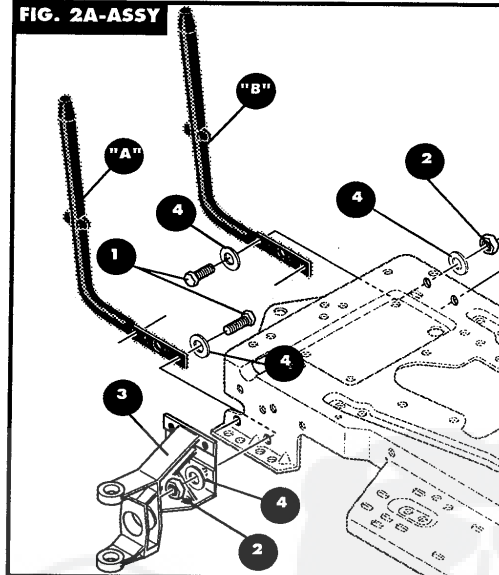
Assembly will be easier if rear of riding mower is blocked up with rear wheels removed.

FOR ALL-WHEEL STEER UNITS and HYDRO UNITS without speed control quadrant on left side (FIG. 2A-ASSY)

1. Remove hex locknuts (2), washers (4) and hex head screws (1) from the lower holes of the steering pivot brackets (3) attached to the main frame. Align holes in the steering pivot brackets and main frame with holes in the mounting rods (A,B). Dispose of screws and locknuts removed, but save the washers for later use.

2. Attach each mounting rod (A,B) to the inside of the main frame and through lower holes of the pivot bracket (3) with two 5/16 x 1-1/2 inch hex head screws (1), two 5/16 inch locknuts (2) found in parts bag and washers removed in step 1.

FIG. 2A-ASSY



ASSEMBLY

FOR LARGE FRAME GEAR DRIVE UNITS and HYDRO UNITS without speed control quadrant on left side (FIG. 2B-ASSY)

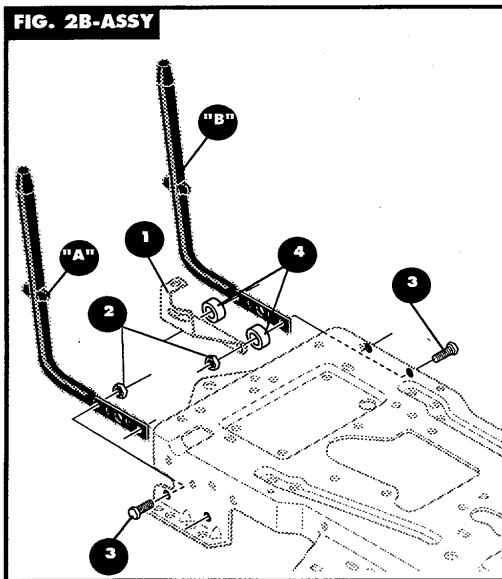
1. Install each mounting rod (A,B) inside the main frame with two 5/16 x 1 inch hex head screws (3) and two 5/16 inch locknuts (2) found in parts bag.

FOR SMALL FRAME GEAR DRIVE UNITS (FIG. 2C-ASSY)

1. Remove hardware in top holes of transaxle mounting bracket (2) and dispose of properly.

2. Install mounting rods (A,B) in top holes of transaxle mounting bracket (2) using 5/16-18 x 1-1/2 inch screws (1), spacers (4) and 5/16 inch locknuts (3) found in parts bag.

FIG. 2B-ASSY

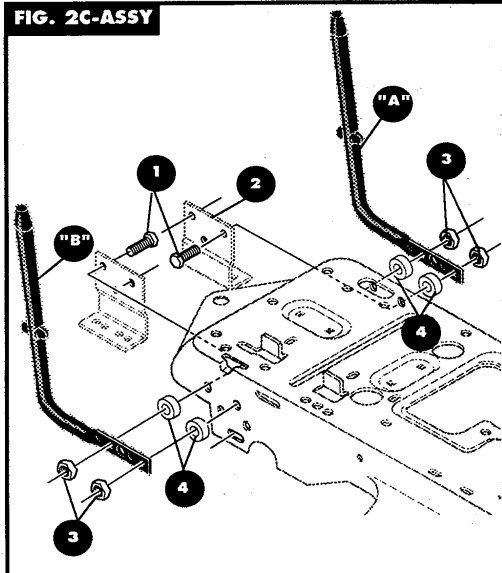


FOR LARGE FRAME HYDRO UNITS With speed control quadrant located on the left side (FIG. 2B-ASSY)

1. On the left side of tractor remove the hex head screw (3), nut (2) and spacers (4) connecting the speed control quadrant (1) to the main frame. Push left mounting rod (B) into space and align holes on the rod with holes in the quadrant and main frame. **NOTE:** Since removed spacer and mounting rod require the same space, the screw and locknut removed from the left rear main frame may be used to install left rear mounting rod. The spacer will not be needed and can be disposed of properly.

2. On the right side of tractor install the mounting rod (A) inside the main frame with two 5/16 x 1 inch hex head screws (3) and two 5/16 inch locknuts (2) (found in parts bag).

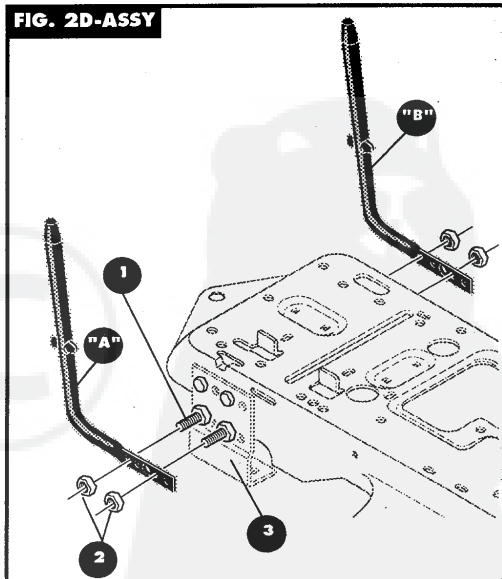
FIG. 2C-ASSY



FOR SMALL FRAME HYDRO DRIVE UNITS (FIG. 2D-ASSY)

1. Install mounting brackets (A,B) onto screws (1) in the bottom holes of the transaxle bracket (3). Secure with 5/16 inch locknuts (2) found in parts bag.

FIG. 2D-ASSY

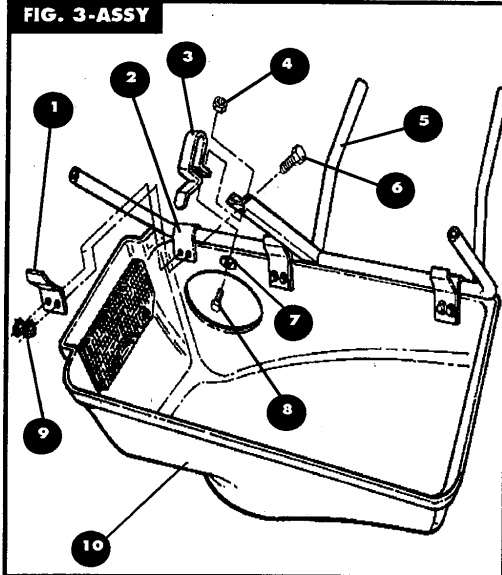


ASSEMBLY

GRASS CATCHER COVER ASSEMBLY

1. Place bagger latch (3) on end of center arm of grass catcher support (5) (FIG. 3-ASSY). Align hole in bagger latch with hole in center arm of grass catcher support.

FIG. 3-ASSY



2. Secure in place with 5/16 x 5/8 inch hex head screw (8), 11/32 inch flatwasher (7) and 5/16 inch locknut (4) (FIG. 3-ASSY).

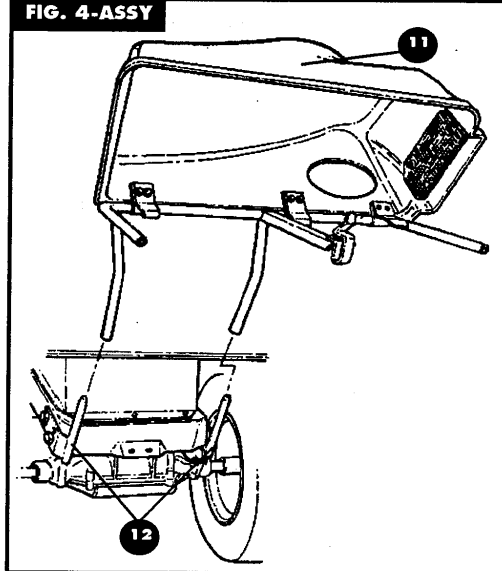
3. Lay grass catcher cover assembly (10) upside down.

4. Place grass catcher support (5) into ledge inside grass catcher cover assembly (10).

5. Attach three cover hinge straps (2) and two retainer straps (1) (on outside hinges) to cover and support assembly with six 1/4 x 5/8 inch screws (6) and six 1/4 inch keps nuts (9).

6. Turn cover assembly over (11) and mount onto mounting brackets (12) as shown in FIG. 4-ASSY.

FIG. 4-ASSY

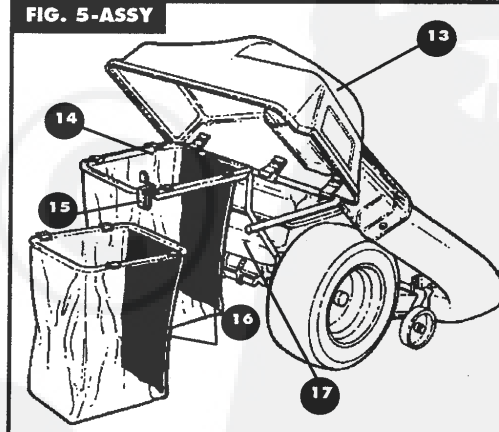


7. Pivot cover assembly (13) toward front of grass catcher attachment and install grass bag assemblies (14) as shown in FIG. 5-ASSY. **NOTE:** Grass bags must be installed with solid panel (16) in toward front of grass catcher.

8. Pivot cover assembly toward rear (17) of grass catcher attachment and hook bagger latch (15) over edge of cover (FIG. 5-ASSY).

NOTE: If grass bag assemblies are extremely close to the tires, the 1 inch spacers (found in parts bag) will be needed. Slide one spacer on each mounting rod in order to lift the grass bag assemblies away from the tires.

FIG. 5-ASSY



ASSEMBLY

DISCHARGE CHUTE ASSEMBLY

1. Place a rubber grommet (3) into each large hole in upper tube (6) (FIG. 6-ASSY).
2. Attach upper tube (6) to transition chute (5), as shown in FIG. 6-ASSY, with two 1/4 x 3/4 inch hex head screws (4) (from inside of transition chute), two large 9/32 inch flatwashers (2) and two 1/4 inch locknuts (1).
3. Place upper end of transition chute assembly into hole in front of grass catcher cover assembly.
4. Slide tab (7) on lower end of transition chute under center of chute deflector bracket (9) (FIG. 7-ASSY) until stud on latch lever snaps into hole in end of tab. **NOTE:** Back side of transition chute (8) should be on inside of deck opening and front side of transition chute should be on outside of deck opening.

FIG. 6-ASSY

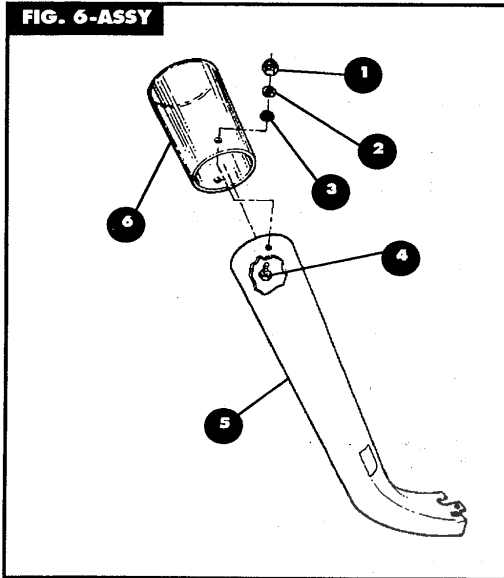
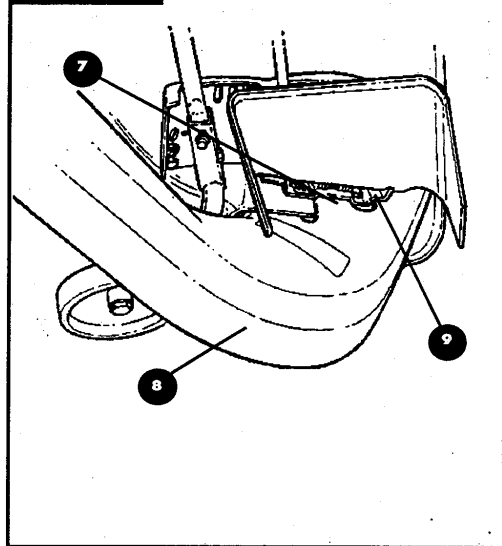


FIG. 7-ASSY



OPERATION



DANGER



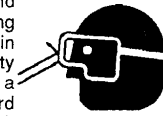
OPERATE MOWER WITH COMPLETE BAGGING ATTACHMENT IN PLACE.

SHUT OFF ENGINE BEFORE OPENING COVER OR EMPTYING GRASS BAGS.

OBJECTS MAY BE THROWN FROM DISCHARGE TUBE.

DO NOT REACH INTO DISCHARGE TUBE WHILE ENGINE IS RUNNING.

The operation of this riding mower and grass catcher can result in objects being thrown into the eyes, which can result in severe eye damage. Always wear safety glasses or eye shields while operating a riding mower. We recommend standard safety glasses, or Wide Vision safety mask for over spectacles.



Get to know your riding mower and its controls. Be sure you (or any other operator) have read and understood the **Operational Precautions** Listed on page 2 of this manual and in your riding mower operator's manual.

Avoid sharp turns at high speed and uphill or downhill turns. Operate mower carefully. Be especially cautious on hills. When riding down inclines, keep shift control in low speed. Use brake for fast stops on hill.

If grass clippings are going to be bagged and hauled away, you may line grass bag assemblies with a 30 x 36 plastic trash bag. Roll top of bag around frame of grass bag to hold in place during collection.

OPERATION (Rider with Catcher)

Take a comfortable position on the riding mower and start the riding mower engine. After engine warm-up, depress brake-clutch pedal and move shift control lever to desired forward gear. **Release brake-clutch pedal slowly and riding mower will move forward. Until you get the feel of the machine, stay in the low speed position.** With mower blades stopped, make your first run in a large, open, level area. Learn to start, stop and change direction in this area.

Stop engine before leaving operator's position.

The engine should be run at fast throttle for proper grass cutting and collecting of clippings, and ground speed controlled by shift lever position. Forward speed of the riding mower is controlled by the quantity of grass being mowed. The more grass that must be cut, the slower the speed forward should be. When cutting light grass, the forward speed can be increased. By observing the collecting action of your mower, you can determine how fast you can travel.

To mow heavy growth or on rough ground, set mower at maximum height. After growth is cleared, reduce cutting height as desired.

Height-of-cut should not be set too low on thick, lush lawns, or grass may die. If height is too low, the deck wheels may sink into the lawn, causing the mower deck to drop down on the grass and reduce the discharging effect of the cutting blade. New grass should be cut in the afternoon when it is dry. Never cut wet grass. Wet grass will pack under mower deck and in transition chute and will not discharge properly.

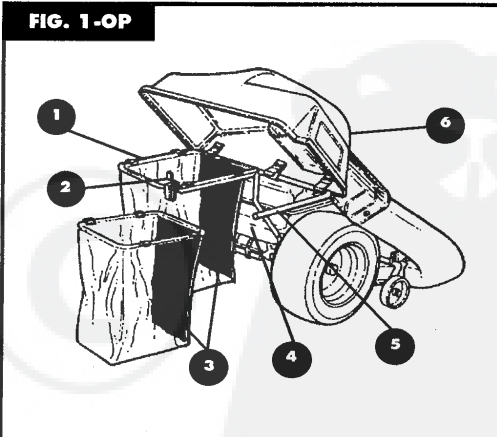
KEEP EQUIPMENT CLEAN. Grass clippings may pack under the mower chassis and in discharge chute assembly due to the internal moisture content of the grass. This accumulation of cut grass should be removed after each mowing.

1. Remove ignition key, set parking brake on riding mower.
2. Scrape accumulation off underside of mower deck with a putty knife or similar tool. Cleaning of the underside of mower housing is easier if mower deck is removed. See **Mower Deck Removal** paragraph in **Maintenance** section of riding mower operator's manual.
3. Remove discharge chute assembly from mower deck and grass catcher cover assembly and flush grass clippings with water.
4. Remove grass catching bags and flush grass clippings from cover assembly with water.

TO EMPTY GRASS CATCHER BAG

Check grass catcher bags at frequent intervals while mowing. Bag should be emptied as soon as clippings reach top of bag and after each use. To empty bag, proceed as follows:

1. Move mower clutch lever to **DISENGAGE** position and shift lever to **NEUTRAL** position.
2. Stop engine and set parking brake on riding mower.
3. Unlock bagger latch (2) from edge of cover (FIG. 1-OP).
4. Pivot cover assembly (6) toward front of grass catcher and lift bag assemblies (1) from support (5).
5. Remove all clippings from bags.
6. Reinstall bag assemblies with the solid panel (3) next to the rear (4) of the riding mower
7. Pivot cover assembly toward rear of grass catcher and hook bagger latch (2) over edge of cover.



DANGER



NEVER store grass catcher with grass clipping in the catcher bags. Even a small pile of grass clippings can create enough heat to start a fire.

ASSEMBLY



DANGER



DO NOT OPERATE MOWER UNLESS ENTIRE GRASS CATCHER ATTACHMENT IS IN PLACE.



DANGER



Blades will not stop immediately. Keep hands and feet from under mower and away from the discharge chute.

TO CLEAR PLUGGED DISCHARGE CHUTE

Your discharge chute may become plugged with grass clippings due to over-filling grass catcher or cutting grass that is too long or wet. To unplug chute, proceed as follows:

1. Move mower clutch lever to DISENGAGE position and shift lever to neutral.
2. Stop engine and set parking brake.

3. Lift front end of latch lever and pull transition chute away from mower deck.

4. Remove chute assembly from grass catcher cover assembly

5. Shake grass clippings from chute assembly.

6. Remove clippings from mower deck discharge chute.

7. Re-attach chute assembly to grass catcher and mower deck in reverse order of removal.

STORAGE

The grass catcher should be immediately prepared for storage at the end of the season. To prepare grass catcher for storage, proceed as follows:

1. Remove and clean chute assembly.
2. Remove and empty grass bag assemblies.

3. Clean the grass catcher cover thoroughly.

4. Inspect the grass catcher and mower deck assemblies for worn or damaged parts. Tighten all loose hardware.

5. Check grass bags for wear and/or deterioration. Replace worn or damaged bags.

6. Store the riding mower and grass catcher in a clean, dry area and cover for additional protection. **NOTE:** The grass catcher can be easily lifted off the riding mower to reduce storage space.



DANGER

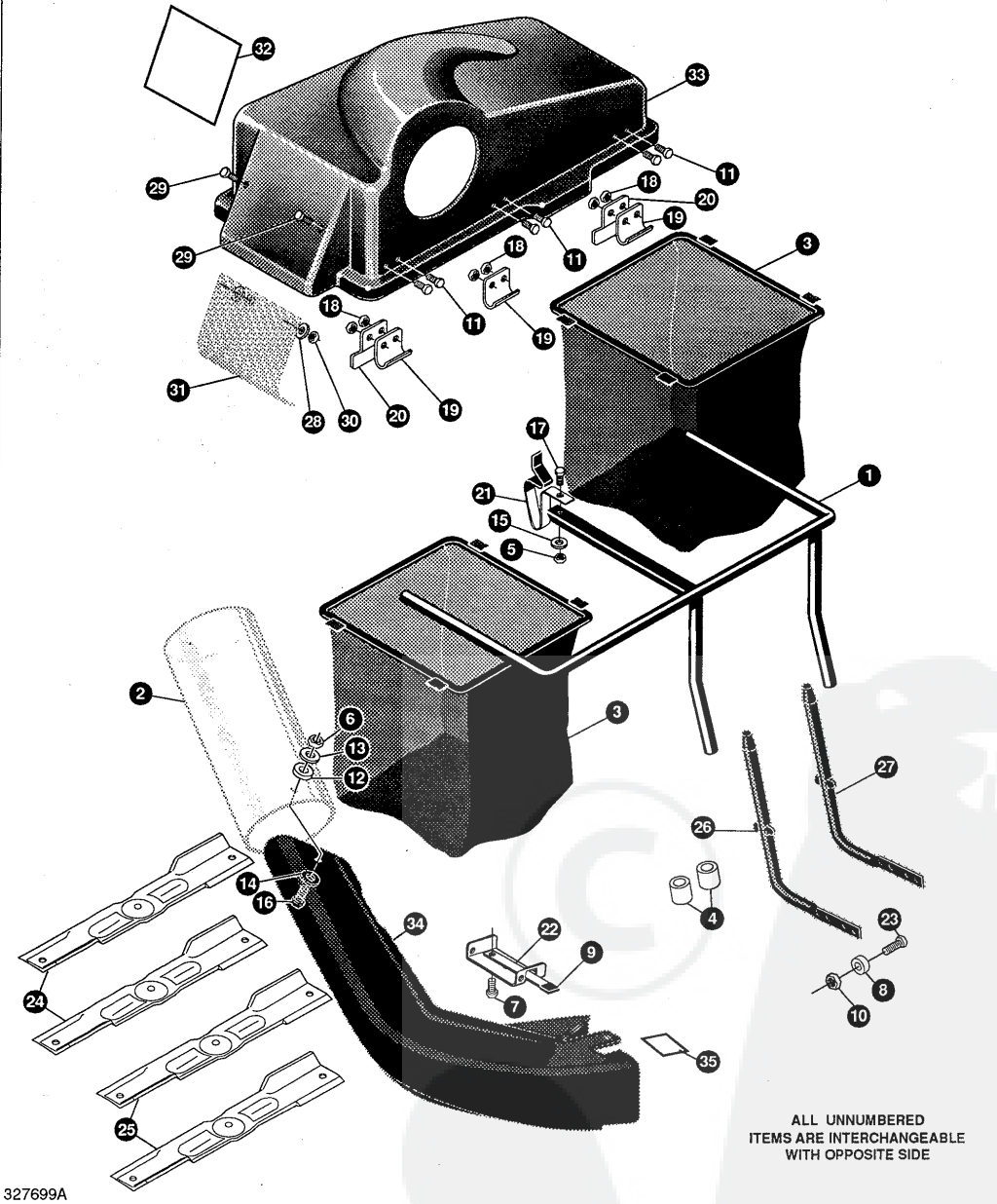


NEVER store grass catcher with grass clippings in the bags. Even a small pile of grass clippings can create enough heat to start a fire.

REPAIR PARTS

REAR MOUNTED, SIDE DISCHARGE GRASS CATCHER MODEL 5708-1803

NOTE: ALWAYS USE ORIGINAL EQUIPMENT PARTS. Use of service replacement parts other than original equipment parts may void your warranty.



327699A

REPAIR PARTS

REAR MOUNTED, SIDE DISCHARGE GRASS CATCHER MODEL 5708-1803

ALWAYS GIVE THE FOLLOWING INFORMATION WHEN ORDERING REPAIR PARTS:

1. The PART NUMBER; 2. The PART NAME; 3. QUANTITY DESIRED; 4. The MODEL NUMBER (As shown on Model Plate).
SEND PART ORDERS AS PER INSTRUCTIONS ON THE FRONT PAGE.

YOUR UNIT IS RIGHT HAND (RH) OR LEFT HAND (LH) AS YOUR STAND BEHIND IT.
DO NOT USE KEY NUMBERS WHEN ORDERING REPAIR PARTS, ALWAYS USE PART NUMBERS.

All replacement parts will be supplied in current production colors or in a neutral color.

A handling fee is applicable to small parts orders.

key#	part#	description	qty.
1.	58282-853	SUPPORT ASSY	1
2.	57667	TUBE, UPPER 23X 6.75	1
3.	58283	BAG, GRASS COLLECTOR	2
4.	302131	SPACER HDWE PK	1
5.	1498	NUT, 5/16-18 REGHEXCTRLK	1
6.	1502	NUT, 1/4-20 REGHEXCTRLK	2
7.	35497	SCREW, 5/16-18X .50 WAHTAP	1
8.	41462	SPACER, SLEV .328X .75X .312 FM	4
9.	42348	GRIP-LEVER GRASS COLLECTOR	1
10.	55273	NUT, 5/16-18 HXWDFLLK	4
11.	55686	SCREW, 1/4-20X .63 SLTRMA BLK	6
12.	57506	GROMMET	2
13.	57626	WASHER, FLAT .281X1.25X.06	2
14.	120386	WASHER, FLAT .312X .73X.065	2
15.	120393	WASHER, FLAT .344X .69X.065	1
16.	180020	SCREW, 1/4-20X .75 HHC GR5	2
17.	180075	SCREW, 5/16-18X .63 HHC GR5	1
18.	271172	NUT, 1/4-20 REGHEXKEPS	6
19.	300278-853	HINGE, COVER	3
20.	300624-853	STRAP, RETAINER	2
21.	307981-853	BAGGER LATCH	1
22.	322320-853	LEVER ASSY (SHORT)	1
23.	180083	SCREW, 5/16-18X1.50 HHC GR5	4
24.	306931	BLADE, 18.13 HIGH LIFT	2
25.	306932	BLADE, 19.69 HIGH LIFT HTTR955	2
26.	327637	ROD-GRASS COLLECTOR "A"	1
27.	327638	ROD-GRASS COLLECTOR "B"	1
28.	1501	WASHER, FLAT 203X .56X.040	2
29.	57034	SCREW, 10-24X .63 TRHMA GR2BK	2
30.	271166	NUT, #10-24 HEXKEPS	2
31.	300115	SCREEN, GRASS CATCHER	1
32.	306490	DECAL, COVER TRI-LINGUAL	1
33.	306943	COVER, GRASS COLLECTOR FER	1
34.	314842	CHUTE, TRANSITION 36.39.45" DECK	1
35.	306489	DECAL, DANGER CHUTE TRI-LINGUAL	1
36.	327717	OPERATOR'S MANUAL (NOT SHOWN)	1