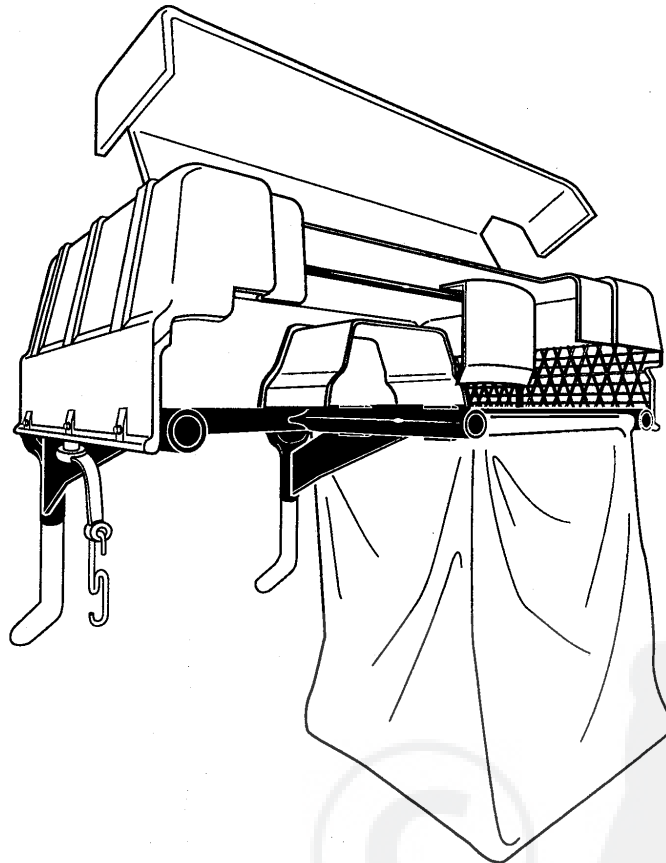


# **OWNER'S MANUAL**

## **GRASS CATCHER**



MODEL : 5708-3500



GB

## OPERATIONAL PRECAUTIONS

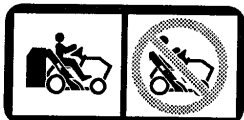
THESE INSTRUCTIONS ARE FOR YOUR PROTECTION. PLEASE READ THEM CAREFULLY.

1. Know the controls and how to stop quickly. Read this Owner's Manual and review Riding Mower Manual. Wear safety glasses or eye shields while assembling or operating the riding mower with grass catcher attachment.
2. When using the riding mower with grass catcher attachment:
  - A. DO NOT operate the riding mower without the entire grass catcher assembly or discharge chute deflector in place.
  - B. Never make any adjustments or repairs while the engine is running.
  - C. Shut off engine when removing grass from grass catcher or unplugging mower chute or catcher tube.
  - D. DO NOT operate riding mower with grass catcher assembly while barefooted. ALWAYS wear substantial footwear, preferably steel-toed shoes. DO NOT wear loose fitting clothing that could get caught in any moving parts.
  - E. ALWAYS keep clear of discharge chute/tube or any moving parts while engine is running.
  - F. Mow only in daylight or good artificial light.
3. ALWAYS place the mower clutch lever in disengage position when not cutting grass, such as when crossing a rock or gravel driveway or roadway and when transporting the riding mower with grass catcher attachment.
4. Disengage mower blades, stop engine, remove ignition key and set parking brake before leaving operator's position.
5. Disengage power to mower blades, stop engine, remove ignition key, set parking brake and disconnect spark plug wire before making any repairs, adjustments or cleaning the riding mower or grass catcher attachment.
6. Check grass bags frequently for wear and/or deterioration. Replace worn or damaged bags.
7. DO NOT run engine indoors. Exhaust fumes contain CARBON MONOXIDE which is an ODORLESS and DEADLY GAS.
8. Take all possible precautions when leaving the riding mower unattended, such as disengaging the mower clutch lever, shifting into neutral, setting parking brake, stopping engine and removing ignition key.
9. NEVER store grass catcher with grass clippings in the catcher bags. Even a small pile of grass clippings can create enough heat to start a fire.
10. If grass catcher attachment will be used on other than level ground, the use of a front weight box is recommended.



Look for this symbol. It means - ATTENTION! BECOME ALERT! A HAZARD TO OPERATOR, BYSTANDER, PROPERTY OR EQUIPMENT MAY EXIST.

## INTERNATIONAL SYMBOLS



OPERATE MOWER WITH COMPLETE GRASS CATCHER IN PLACE.



DANGER! KEEP HANDS AND FEET AWAY



DANGER! KEEP HANDS AND FEET AWAY



READ OWNER'S/ OPERATOR'S MANUAL

### UNIT PARTS AND SERVICE

This manual contains instructions for safety, assembly and maintenance. Read this manual carefully and completely so that you will know proper assembly, use and care of your unit. Also fill in and mail the registration card packed with the unit. For service other than covered in this manual, contact an authorized service dealer. A nationwide parts and service organization has been established to provide locally available parts and service. A list of authorized parts distributors has been included in this manual. When ordering repair parts, always give the following information: 1. The Part Name; 2. The Part Number; 3. The Quantity desired; 4. The Full (eight digit) Model Number of the unit. The model number will be found on a plate attached to the unit.





## OWNER'S INFORMATION

Record the following information about your unit so that you will be able to provide it in case of loss or theft.

MODEL NUMBER:     -     (Enter complete 8 digit number from model plate on unit)

PURCHASE DATE: \_\_\_ / \_\_\_ / \_\_\_ CODE NO.: \_\_\_\_\_ SERIAL NO.: \_\_\_\_\_

DEALER'S NAME AND ADDRESS: \_\_\_\_\_

CITY: \_\_\_\_\_ STATE: \_\_\_\_\_ TELEPHONE: \_\_\_\_\_

## ASSEMBLE YOUR GRASS CATCHER

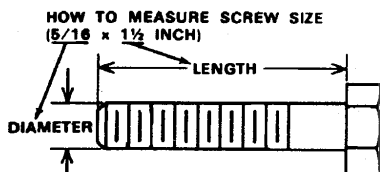
### CONTENTS OF SHIPPING CARTON

- 1 - Grass Catcher Assembly
- 1 - Owner's Manual
- 1 - Mounting Bracket, R.H.
- 1 - Mounting Bracket, L.H.  
(Large Frame Tractors)
- 1 - Mounting Bracket, L.H.  
(Standard Frame Tractors)
- 1 - Lower Chute
- 1 - Upper Chute
- 2 - Grass Catcher Bags
- 2 - High-lift Blades 20.32 (40" deck)
- 2 - High-lift Blades 21.70 (43" deck)
- 1 - Bag of Assembly Parts Containing:
  - 5 - 5/16 inch Locknuts
  - 6 - 21/64 inch Flatwashers
  - 1 - Latch Lever
  - 1 - Tab (Latch Lever)
  - 2 - 1-5/8 inch Hair Pin
  - 2 - 1-3/4 inch Clevis Pin
  - 4 - 9/32 inch Flatwashers
  - 2 - 1/4 x 1 inch Hex Head Screws
  - 2 - 1/4 inch Locknuts
  - 2 - Rubber Straps
  - 4 - 5/16 x 1- inch Hex Head Screw
  - 2 - Spacer Washer

The parts bag may contain more fasteners than are required for your kit.

### TOOLS REQUIRED FOR ASSEMBLY

- 2 - 7/16 inch Wrenches (or adjustable wrenches)
- 2 - 1/2 inch Wrenches (or adjustable wrenches)
- 1 - Screwdriver
- 1 - Hammer (plastic or rawhide preferred)



**STANDARD FRAME**

**LARGE FRAME**

**STANDARD FRAME**

**LARGE FRAME**

This tractor and grass catcher can be dangerous if carelessly used.

Read the Owner's Manual thoroughly before operating tractor.



Always wear safety glasses or eye shields when assembling or operating the tractor.

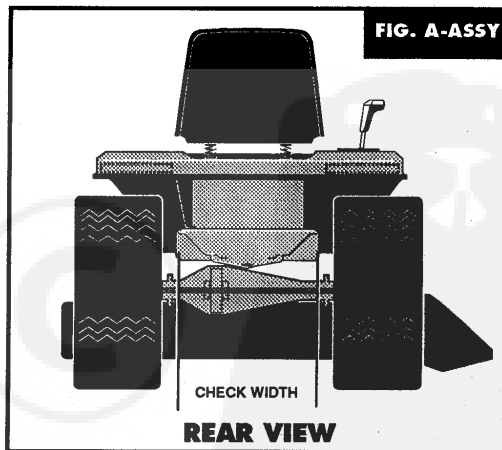
DO NOT carry passengers at any time.

Keep hands, feet, hair and loose clothing away from moving parts while engine is running.

DO NOT allow children or young teenagers to operate or be near tractor while it is operating.

Your tractor and grass catcher have a right and left side as you face forward while seated in operator's seat.

If you have operated your tractor prior to installing grass catcher, remove any accumulation of grass clipping from the mower deck before installing grass catcher.





## ASSEMBLE YOUR GRASS CATCHER

**IMPORTANT:** The blades on your mower deck are low-lift blades. These blades will need to be replaced with the high-lift blades found in kit. Use the 20.32 on the 40" decks and the 21.70 on 42"/43" decks. See **Blade Replacement** paragraph in the **Maintenance** section of your Owner's/Operator's manual for proper installation.

### MOWER DECK ASSEMBLY

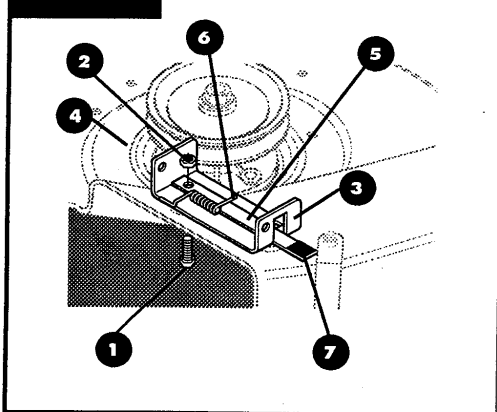
**NOTE:** If your unit has a mulching plug installed remove it at this time.

Mower deck assembly includes installation of latch lever for lower chute (FIG. 1-ASSY).

To install latch lever, do the following:

1. Remove rear screw (1) and nut (2) on chute deflector bracket (3), which is located on the right-hand side of mower deck (4).
2. Place latch lever (5) through slot in front of chute deflector bracket with stud on lever pointing down.
3. Make sure end of torsion spring (6) is on top of latch lever (FIG. 1-ASSY). **NOTE:** Slide spring rearward toward latch lever mounting screw as far as possible.
4. Attach latch lever to bracket with screw and nut removed in Step 1.
5. Place plastic tab (7) on end of latch lever.

FIG. 1-ASSY



### INSTALL MOUNTING BRACKETS

Left-hand mounting brackets for **Large Frame** and **Standard Frame** tractors are supplied with grass catcher. To determine which bracket to use on your tractor check width of tractor using the bottom of pages 2 and 3 and (FIG. A-ASSY).

**FOR TWO WHEEL STEER LARGE FRAME UNITS AND HYDRO UNITS without quadrant on left side (FIG. 2-ASSY):**

**NOTE:** Each mounting bracket is attached to the inside of the tractor's main frame using the two (2) holes directly above the rear axle.

1. Place right-hand mounting bracket (1) with flat of tube to the inside of main frame (see FIG 2A-ASSY for correct bracket). Insert two 5/16 x 1 inch screws (2) and locknuts (3) (found in parts bag) as shown in (FIG. 2-ASSY).
2. Select the correct left-hand mounting bracket (4) using picture in (FIG. 2A-ASSY).
3. Repeat step 1 for left-hand mounting bracket.

FIG. 2-ASSY

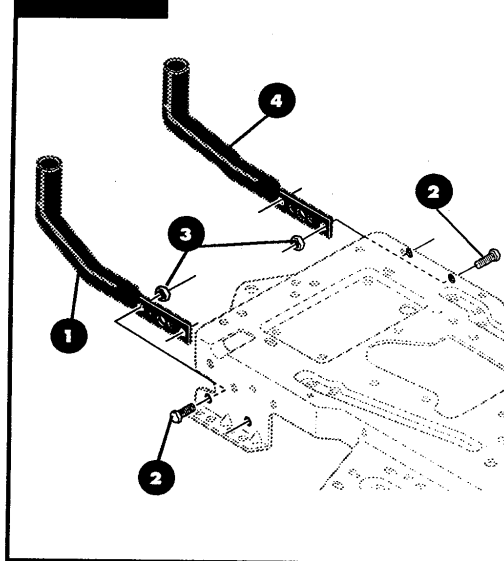
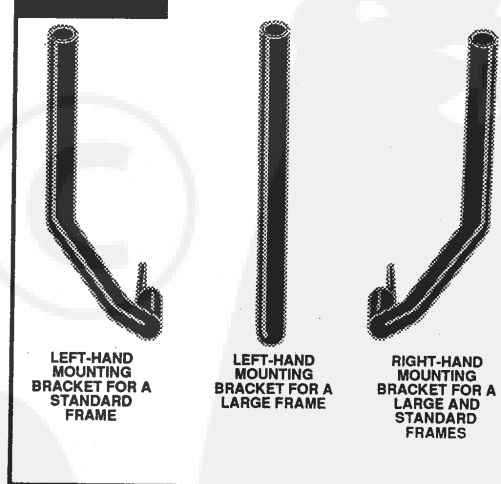


FIG. 2A-ASSY



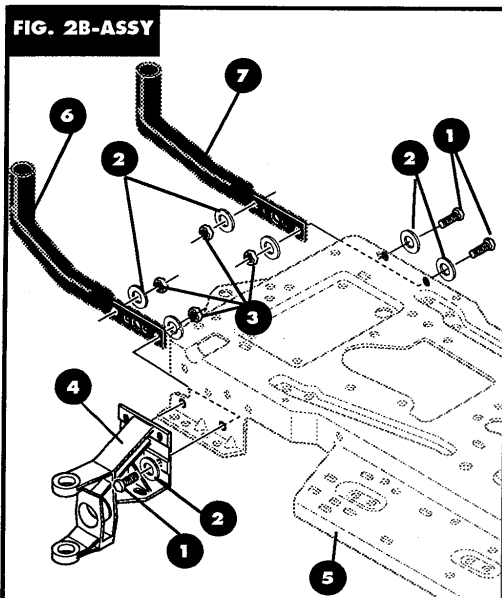
GB

## ASSEMBLE YOUR GRASS CATCHER

### FOR ALL-WHEEL-STEER LARGE FRAME UNITS (FIG. 2B-ASSY):

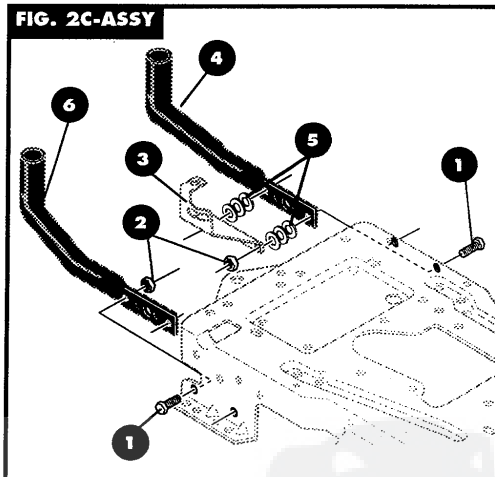
**NOTE:** Each mounting bracket is attached to the inside of the tractor's main frame using the two (2) holes directly above the rear axle.

1. Remove the lower two bolts (1), four washers (2), and two nuts (3) mounting the steering pivot bracket (4) to the right hand side of main frame (5). Discard the bolts and nuts. Save the washers to be used later.
2. Place right-hand mounting bracket (6) with flat of tube to the inside of main frame (See FIG 2A-ASSY for correct bracket). Insert two 5/16 x 1 inch screws (1), two locknuts (3) (found in parts bag) and washers (2) removed earlier (As shown in FIG. 2-ASSY). Tighten securely.
3. Select the correct left-hand mounting bracket (7) using picture in (FIG. 2A-ASSY).
4. Repeat step 1-2 for left-hand mounting bracket.



### FOR LARGE FRAME HYDRO UNITS with speed control quadrant on left side (FIG. 2C-ASSY)

1. On the left side of tractor remove the 5/16-18 inch hex head screws (1), 5/16 inch nuts (2), and spacers (not shown) connecting the speed control quadrant (3) inside the main frame.
2. Attach left-hand mounting bracket (4) inside the main frame with two 5/16-18 inch screws (1) and 5/16 inch locknuts (2) removed in step 1 and six 21/64 flatwashers (5) found in parts bag. **NOTE:** The flatwashers and mounting bracket replace spacers. Tighten securely. Dispose of spacers properly.
3. On the right side of tractor install the mounting bracket (6) inside the main frame with two 5/16 x 1 inch hex head screws (1) and two 5/16 inch locknuts (2) (found in parts bag).



**GB**

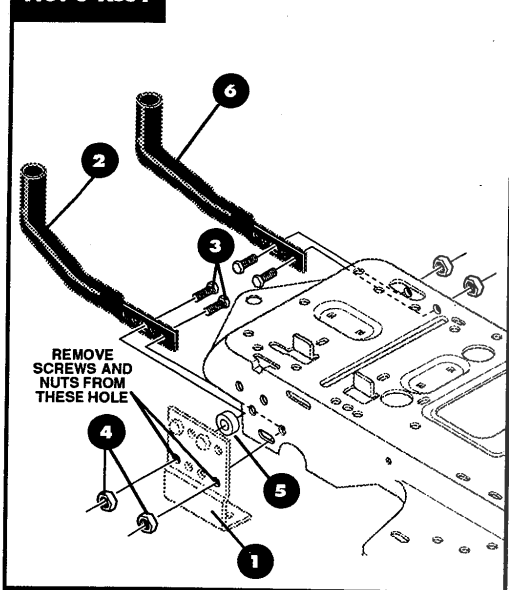
## ASSEMBLE YOUR GRASS CATCHER

### FOR STANDARD FRAME TRACTOR (FIG. 3-ASSY)

**NOTE:** Each mounting bracket is attached to the inside of the tractor's main frame using the two (2) holes directly above the rear axle.

1. Remove screw and nut from the lower holes in mounting plate (1) (As shown in FIG. 3-ASSY). Discard screw and nut.
2. Place right-hand mounting bracket (2) with flat of tube to the inside of main frame (See FIG. 2A-ASSY for correct bracket). Insert 5/16 x 1 inch screw (3) (found in parts bag) through hole opened in step one. Secure with 5/16 locknut (4) (found in parts bag) (As shown in FIG. 3-ASSY).
3. Place spacer washer (5) (found in parts bag, part number 50677) between mounting plate and mounting bracket. Install second 5/16 x 1 inch screw (3) and 5/16 locknut (4) (found in parts bag) (As shown in FIG. 3-ASSY).
4. Select the correct left-hand mounting bracket (6) using picture in (FIG. 2A-ASSY).
5. Repeat step 1-3 for left-hand mounting bracket.

**FIG. 3-ASSY**

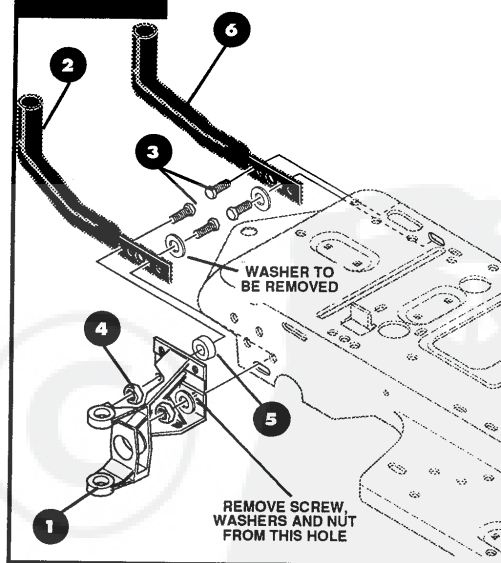


### FOR ALL-WHEEL-STEER STANDARD FRAME TRACTOR (FIG. 3A-ASSY)

**NOTE:** Each mounting bracket is attached to the inside of the tractor's main frame using the two (2) holes directly above the rear axle.

1. Remove screw, two washers, and nut from the lower holes in the steering pivot bracket (1) (As shown in FIG. 3-ASSY). Discard screw and nut. Save washers to be used later.
2. Place right-hand mounting bracket (2) with flat of tube to the inside of main frame (See FIG. 2A-ASSY for correct bracket). Insert 5/16 x 1 inch screw (3) (found in parts bag) through hole opened in step one. Replace washers (removed earlier). Secure with 5/16 locknut (4) (found in parts bag) (As shown in FIG. 3-ASSY). Tighten securely.
3. Place spacer washer (5) (found in parts bag) between steering pivot bracket (1) and mounting bracket (2). Install second 5/16 x 1 inch screw (3) and 5/16 locknut (4) (found in parts bag) (As shown in FIG. 3-ASSY). Tighten securely.
4. Select the correct left-hand mounting bracket (6) using picture in (FIG. 2A-ASSY).
5. Repeat step 1-3 for left-hand mounting bracket.

**FIG. 3A-ASSY**

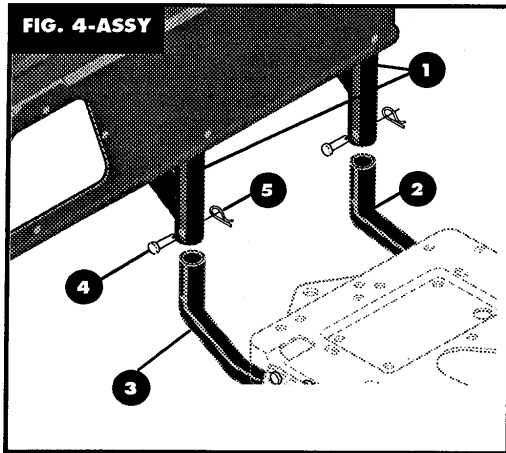




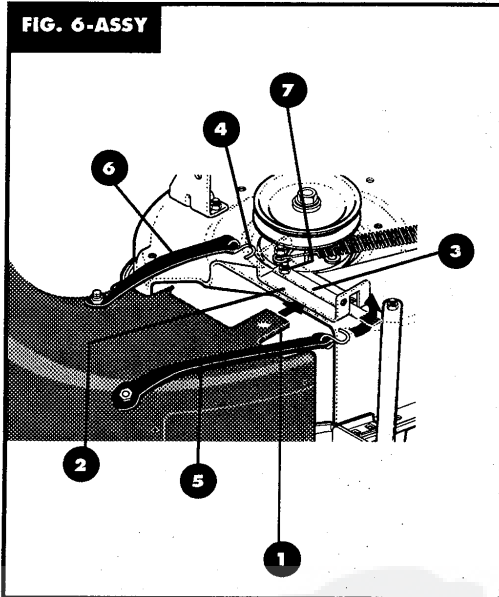
## ASSEMBLE YOUR GRASS CATCHER

### INSTALL GRASS CATCHER COVER (FIG. 4-ASSY)

1. Slide grass catcher support legs (1) over left and right hand mounting brackets (2,3).
2. Align holes in legs of grass catcher support with holes in mounting brackets.
3. Insert a 1-3/4 inch clevis pin (4) through holes.
4. Insert a 1-5/8 inch hairpin (5) in hole of clevis pins.

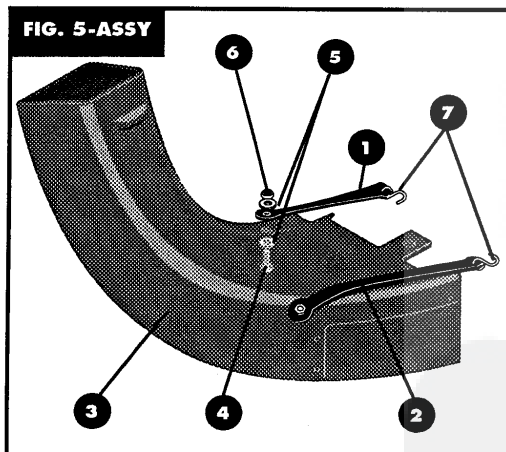


2. Lift up on chute deflector.
3. Slide tab on lower end of lower chute (1) under center of CHUTE DEFLECTOR BRACKET (2) (not latch lever) until stud on latch lever (3) snaps into the hole in end of tab (See FIG. 6-ASSY).
4. Attach "S" hook (4) on the end of front rubber strap (5) to latch lever (FIG. 6-ASSY).
5. Attach "S" hook (4) on end of the rear rubber strap (6) to spring anchor bolt (7) (FIG. 6-ASSY). NOTE: Spring end may need to be moved up to make room for "S" hook.



### INSTALL LOWER CHUTE ASSEMBLY ON UPPER CHUTE (FIG. 5&6-ASSY)

1. Install two rubber straps (1,2) on end of lower chute (3) with two 1/4 x 1 inch hex head screws (4), four 9/32 inch flatwashers (5) and two 1/4 inch locknuts (6) (FIG. 5-ASSY). NOTE: Tighten bolt until nut is flush with end of bolt. NOTE: Open end of "S" hook (7) is downward on rear rubber strap (1) and upward on front rubber strap (2).

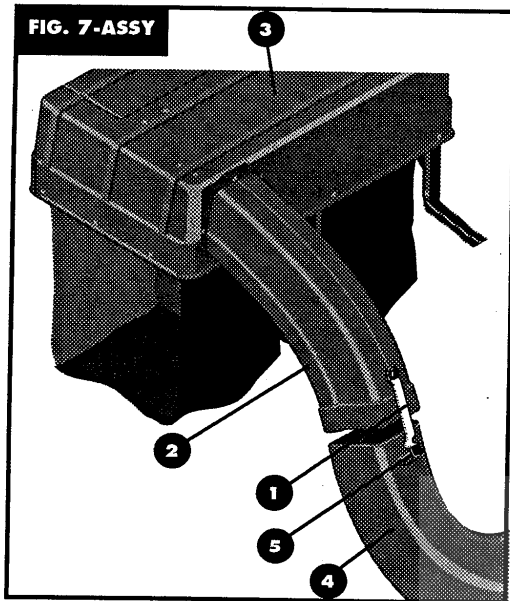


GB

## ASSEMBLE YOUR GRASS CATCHER

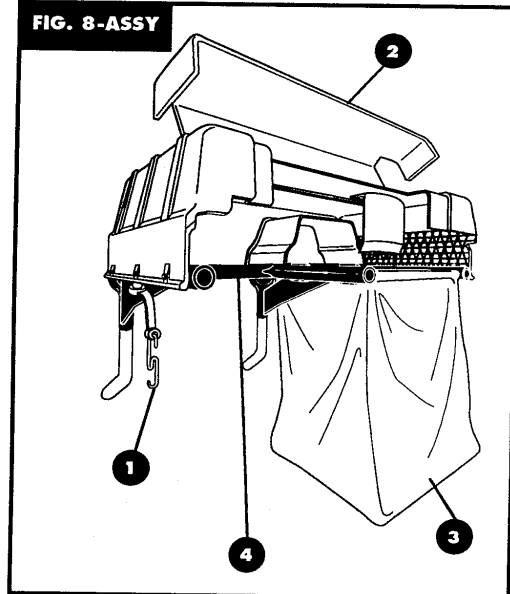
### INSTALL UPPER CHUTE ASSEMBLY ON LOWER CHUTE

1. Rotate chute latch (1) to the outside of upper chute (2) (FIG. 7-ASSY).
2. Place end of upper chute (2) in hole in front of grass catcher cover (3). Latch should be on top as per illustration (FIG. 7-ASSY).
3. Align latch end of upper chute (2) with lower chute (4), inserting lower chute by pulling upper chute over lower chute. Slide end all the way down to the stop (5) on lower chute (FIG. 7-ASSY).
4. Lift up on chute latch (1) and rotate over stop (5) on lower chute (FIG. 7-ASSY).



### INSTALL GRASS CATCHER BAGS FIG. 8-ASSY

1. Make sure rubber straps (1) with "S" hooks on each side of grass catcher lid (2) are unhooked. Lift grass catcher lid.
2. Place bags (3) on grass catcher support (4) with solid material facing wheels. **NOTE:** Install left hand bag first.
3. Close grass catcher lid and hook rubber straps.







## OPERATE YOUR GRASS CATCHER



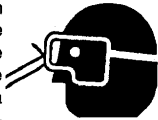
**OPERATE MOWER WITH COMPLETE GRASS CATCHER IN PLACE.**

**SHUT OFF ENGINE BEFORE OPENING COVER OR EMPTYING GRASS BAGS.**

**OBJECTS MAY BE THROWN FROM DISCHARGE CHUTE.**

**DO NOT REACH INTO DISCHARGE CHUTE WHILE ENGINE IS RUNNING.**

The operation of your tractor and grass catcher can result in objects being thrown into the eyes, which can result in severe eye damage. Always wear safety glasses or eye shields while operating your tractor. We recommend standard safety glasses, or a Wide Vision safety mask for over spectacles.



Get to know your tractor and its controls. Be sure you (or any other operator) have read and understand the **Safety Rules** on page 2 of this manual and in **Owner's/Operator's Manual** for your tractor.

### OPERATING TRACTOR WITH CATCHER

Extra care should be taken when operating a tractor with a grass catcher or other attachment. Any attachment extends the length of the machine. Operator should be aware that more space is required for turns with a tractor and attachment than with a tractor only.

Take a comfortable position on your tractor and start the engine. After the engine has warmed up, depress clutch-brake pedal and move shift control lever to a low forward speed. **Release clutch-brake pedal slowly and tractor will move forward.**

**Until you get the feel of the tractor with its added weight and length, stay in low speed range.** When you feel comfortable move shift control lever to desired forward speed. With mower blades stopped, take a test run in a large, open, level area. Learn to start, stop and change direction in this area. Always stop engine before leaving operator's position.

#### To operate tractor with catcher safely:

- Be sure area is clear of obstacles and other people before mowing.
- Avoid sharp turns at high speed. Use slow speed, and be aware that the catcher attachment swings out further than the tractor when making turns. Allow at least 25 inches extra for the turn.
- Do not use grass catcher on steep slopes.
- Do not turn on slopes unless necessary, and then, turn slowly and gradually downhill, if possible.
- Be extra cautious on hills. Keep all uphill and downhill movement slow and gradual. Do not make sudden changes in speed or direction.

- Do not mow in reverse unless absolutely necessary. Always look down and behind before and while backing.
- Do not mow near drop-offs, ditches, or embankments.
- Use extra care when approaching blind corners, shrubs, trees, or other objects that may obscure vision.

**KEEP THE EQUIPMENT CLEAN.** Grass clippings may pack under mower chassis and in grass chutes due to internal moisture content of grass. This accumulation of grass clippings should be removed after each mowing.

1. Turn ignition key to "OFF" position, remove key and set parking brake on tractor.
2. Scrape grass clippings off the underside of mower deck with a putty knife or similar tool. Cleaning underside of mower housing is easier if mower deck is removed. See **Remove The Mower Deck** paragraph in **Maintenance** section of **Owner's/Operator's Manual** for your tractor.
3. Remove upper and lower chutes from mower deck and grass catcher cover assembly. Flush grass clippings from upper and lower chutes with water.
4. Remove grass catcher bags. Flush grass clippings from cover assembly with water.



**Take extra care in making turns with tractor and grass catcher or other attachment.**

**Because the attachment extends beyond the tractor, more space is required for turns.**

**Sharp turns could bring grass catcher in contact with nearby objects, such as trees or buildings, and cause damage or injury.**

### TIPS FOR IMPROVED BAGGING

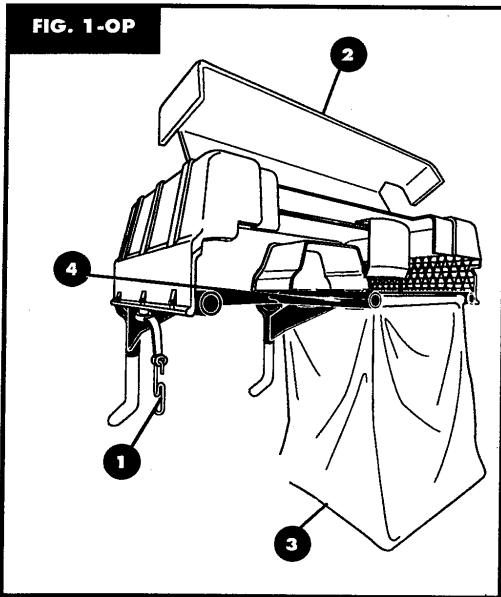
Follow the mower operation instructions in your tractor owner's manual. To improve bagging operation:

- Always run throttle at full speed when bagging.
- The forward speed of the tractor is determined by the quantity of grass being mowed. The more grass that must be cut, the slower the forward speed. When cutting light grass, forward speed may be increased.
- It may be necessary to overlap width of cut to suit certain conditions.
- If grass is extremely tall, it should be mowed twice - the first time relatively high, the second time to desired height.
- To mow heavy growth or on rough ground, set mower at maximum cutting height. After growth is cleared, reduce cutting height as desired.
- The cutting height should not be set too low on thick, lush lawns, or grass may die. Also, if cutting height is too low, deck wheels may sink into lawn, causing mower deck to drop down on grass and reduce discharging effect of cutting blade.
- New grass should be cut in the afternoon when it is dry. Never cut wet grass. Wet grass will pack under mower deck and in grass chutes and will not discharge properly.

**GB**

## OPERATE YOUR GRASS CATCHER

- If the grass catcher fails to pick up cut grass or leaves, it is an indication that clogging has occurred (See **To Clear A Plugged Grass Chute** ).
- For best cutting and bagging results, mower blades must be kept sharp. Replace bent or damaged blades.



**DO NOT OPERATE YOUR TRACTOR UNLESS THE ENTIRE GRASS CATCHER IS IN PLACE.**

### CLEAR A PLUGGED GRASS CHUTE

Your grass catcher chute may become plugged with grass clippings due to over-filling grass catcher bags or cutting grass that is too long or wet. To unplug chute, do the following:

1. Move mower clutch lever to **(OFF)** position, move shift control lever to neutral position, turn engine off and set parking brake.



**The blades on mower deck will not stop immediately. Keep your hands and feet from under mower and away from grass catcher chute.**

2. Lift up on upper chute lever latch and pull upper chute away from lower chute.
3. Clear grass clippings out of upper chute.
4. Disconnect the two rubber straps holding lower chute to mower deck.
5. Lift front end of latch lever and pull lower chute away from mower deck.
6. Clear grass clippings out of lower chute.
7. Clear grass clippings from mower deck chute deflector assembly.
8. Re-attach chute assembly to grass catcher and mower deck in reverse order of removal.

### EMPTY GRASS CATCHER BAGS

At frequent intervals, stop your tractor and check grass catcher bags. Bags should be emptied as soon as clippings reach top of bag and after each use. Bags are full when grass clippings begin to come out of hole underneath upper chute.

**To empty bag, do the following:**

1. Move attachment clutch lever to **(OFF)** (disengaged) position and move shift control lever to neutral.
2. Stop engine and set parking brake on tractor.
3. Unhook rubber straps (1) and lift up on cover lid (2) (FIG. 1-OP).
4. Lift bag assemblies (3) from support (4). Remove right-hand bag first.
5. Remove all clippings from bags.

**STORAGE**

The grass catcher should be immediately prepared for storage at end of season. To prepare grass catcher for storage, do the following:

1. Remove and clean upper and lower chutes.
2. Remove and empty grass bags.
3. Clean grass catcher cover and lid thoroughly.
4. Inspect grass catcher and mower deck for worn or damaged parts. Tighten all loose hardware.
5. Check grass bags for wear and/or deterioration. Replace any worn or damaged bags.
6. Store your tractor and grass catcher in a clean, dry area and cover for additional protection.



**NEVER** store grass catcher with grass clippings in bags. Even a small pile of grass clippings can create enough heat to start a fire.

**NOTE**

The grass catcher can be easily lifted off tractor to reduce the storage space.

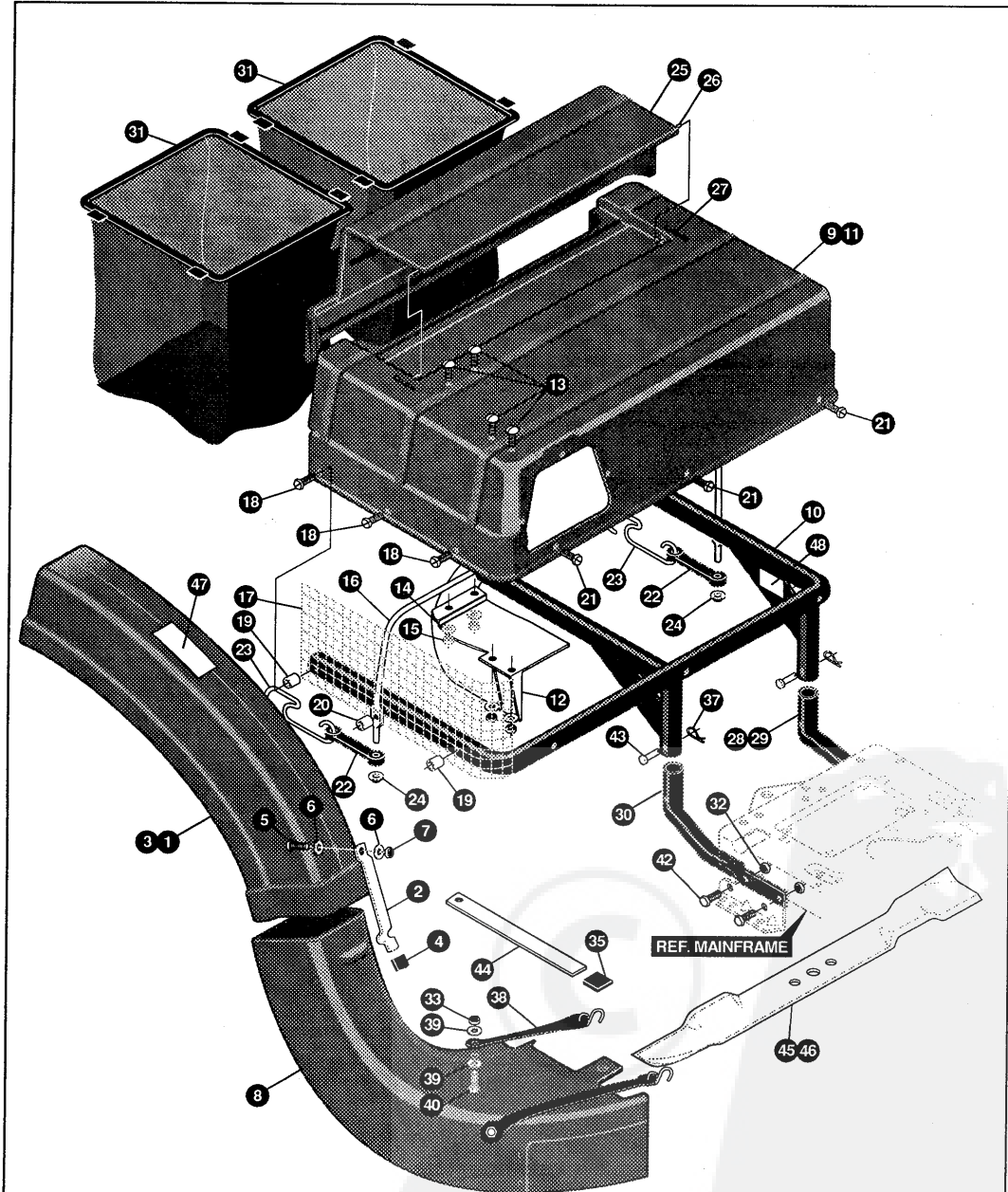
**TO REMOVE GRASS CATCHER**

1. Disconnect chute latch and pull upper chute from lower chute. Slide upper chute from hole in the front of the cover assembly and set aside.
2. Remove hairpins from clevis pins holding grass catcher support to mounting brackets. Remove clevis pins.
3. Lift grass catcher support and cover assembly from mounting brackets and set aside.
4. Detach "S" hooks on end of rubber straps attached to lower chute from the spring anchor bolt in the rear and from the latch lever in front. Lift front end of latch lever and pull lower chute away from mower deck. Set chute aside.
5. Lower chute deflector into discharge position. **NOTE: Make sure chute deflector falls into correct position to discharge grass, if lawn tractor is used without grass catcher installed. NEVER OPERATE LAWN TRACTOR WITH GRASS CATCHER PARTIALLY INSTALLED.**
6. Keep mounting hardware in a plastic bag. Store hardware, catcher support-cover assembly and chutes in a box or other safe place where catcher bags will not be damaged.

GB

## REPAIR PARTS

40, 42 AND 43" REAR MOUNTED, SIDE DISCHARGE CRASS CATCHER MODEL 57083500



**NOTE: ALWAYS USE ORIGINAL EQUIPMENT PARTS.**  
Use of service replacement parts other than original equipment parts may void your warranty.

ALL UNNUMBERED  
ITEMS ARE INTERCHANGEABLE  
WITH OPPOSITE SIDE

327698A



## REPAIR PARTS

### 40, 42 AND 43" REAR MOUNTED, SIDE DISCHARGE CRASS CATCHER MODEL 57083500

key#	part#	description	qty.
1.	∅	ASSY, UP CHUTE,40,43,46"BAGGER	1
2.	322494-853	LATCH CHUTE	1
3.	322495	CHUTE, UPPER 40&46 BAGGER	1
4.	42348	GRIP-LEVER GRASS COLLECTOR	1
5.	121887	SCREW, 1/4-20X .75 HHC GR2	1
6.	57626	WASHER, FLAT .281X1.25X.06	2
7.	1502	NUT, 1/4-20 REGHEXCTRLK	1
8.	318073	CHUTE,LOWER,40"/43" DECK, MOD	1
9.	∅	ASSY, SUPPORT FRAME, BAGGER	1
10.	322980-853	WP TUBE ASSY, SUPPORT(DBL-GST)	1
11.	309295	TOP COVER ERO BAGGER	1
12.	305197	BAFFLE GRASS CATCHER EURO	1
13.	55686	SCREW, 1/4-20X .63 SLTRMA BLK	4
14.	120392	WASHER, FLAT .281X .63X.065	4
15.	271172	NUT, 1/4-20 REGHEXKEPS	4
16.	309159-853	MP SUPPORT ROD, COVER	1
17.	306262	SCREEN, ERO BAGGER 6.0 X 18.25	1
18.	306487	SCREW, 1/4-20X1.50 HHTAP GR5	3
19.	306079	SPACER, BAGGER .87X7/16X.060	2
20.	309296	SPACER ERO BAGGER .69X.44X.06	1
21.	44811	SCREW, 1/4-20X .75 HXWATAP	6
22.	57505	RUBBER STRAP	2
23.	309648	MF HOLD DOWN, RUBBER STRAP	2
24.	73664	NUT, PUSH ON 3/8"	2
25.	309320	TOP LID PIVOTING	1
26.	310194	MF ROD,GRASS CATCHER PIVOT 953	1
27.	121223	PIN, COTTER .0625X.75LG	2
28.	326965-853	TUBE-L.H. COLLECTOR	1
29.	322389-853	TUBE LH. COLLECTOR SUPPORT	1
30.	326967-853	TUBE RH. COLLECTOR SUPPORT	1
31.	322157	BAG, GRASS COLLECTOR	2
32.	1498	NUT, 5/16-18 REGHEXCTRLK	4
33.	1502	NUT, 1/4-20 REGHEXCTRLK	2
34.	4230	WASHER, FLAT .328X.68X.104	6
35.	42348	GRIP-LEVER GRASS COLLECTOR	1
36.	50677	WASHER, FLAT .375X1.25X1.04 YZ (NOT SHOWN FOR STANDARD FRAME ONLY)	2
37.	56180	PIN, HAIR .091 DIA X1.62LG	2
38.	57505	RUBBER STRAP	2
39.	120392	WASHER, FLAT .281X .63X.065	4
40.	56934	SCREW, 1/4-20X1.00 HHC GR2	2
42.	180079	SCREW, 5/16-18X1.00 HHC GR5	4
43.	308619	PIN, CLEVIS .25X1.656X1.75	2
44.	322320-853	LEVER ASSY	1
45.	309070	BLADE, 20.32 HIGH LIFT	2
46.	316608	BLADE, 21.70 HIGH LIFT DOM	2
47.	306489	DECAL, DANGER CHUTE TRI-LINGUAL	1
48.		REFERENCE ONLY	1
49.	327695	OWNER'S MANUAL (NOT SHOWN)	1

∅ ORDER INDIVIDUAL PARTS



**MURRAY, INC. Limited Warranty**  
**OUTDOOR POWER EQUIPMENT ACCESSORIES**

**Murray, Inc.** warrants to the original user-purchaser that this outdoor power equipment accessory shall be free from defects in material and workmanship under normal use and service for the periods of time set forth below. All time periods start with the date of purchase. This limited warranty does not cover outdoor power equipment units such as walk behind or riding lawnmowers, as well as components of those units, such as engines and gearboxes, which are warranted by their respective manufacturers. If you are uncertain whether your unit is covered by this Outdoor Power Equipment Accessory Limited Warranty or by an original equipment warranty, consult your dealer prior to purchase. Subject to the conditions and exclusions noted in this Limited Warranty, we shall, at our option, repair or replace any warranted part during the applicable warranty period.

In the event that any metal component of your unit proves defective within one (1) year from the date of purchase, we will repair or replace the component without charge. If any non-metal component (**such as fabric grass bag or plastic part**) proves defective within one hundred eighty (180) days from the date of purchase, we will repair or replace the part without charge.

This limited Warranty is your exclusive remedy and does not apply to any unit that has been tampered with, altered, misused, abused or used for rental or other commercial and/or professional (**non-homeowner**) uses. This Limited Warranty does not cover minor mechanical adjustments which are not due to any defect in material or workmanship. For assistance in making such adjustments, consult your Owner's/Operator's Manual.

To make a claim under this Limited Warranty, return the unit (**or if authorized in advance in writing, the defective part**) along with your proof of purchase to the nearest Authorized Service Center near you. To locate the nearest Authorized Service Center, call the Central Parts Distributor for your area shown in the list provided with your unit or with the **Murray, Inc.** power equipment which you purchased or check the Yellow Page listings in your local telephone directory. If you return the entire unit, we will repair the unit. If we authorize the return of the defective part only, we will either replace or repair the part. In the case of a defect in a non-metal part which we elect to repair rather than replace, we assume no responsibility for making the appearance of the repaired part conform to the appearance of the part as originally sold.

This Limited Warranty gives you specific legal rights, and you may also have other rights which vary from state to state. If you need additional information on this written warranty or assistance in obtaining service, write or call:

**MURRAY, INC.**  
P.O. BOX 8000  
Jackson, Tennessee 38308  
1-800-247-7464