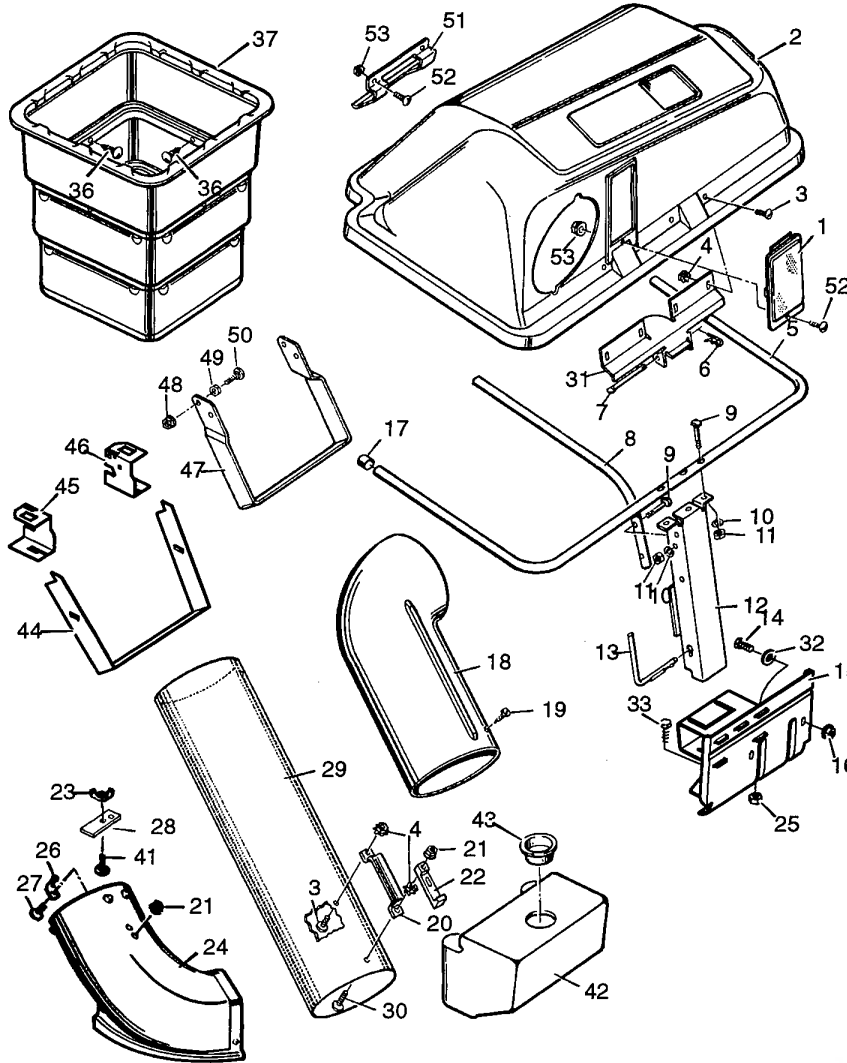


GRASS BAGGER MODEL 24741x1A (502.249590)



* Included with Key No. 37.

KEY NO.	DESCRIPTION	PART NO.
1	Window	54575
2	Cover	54576
3	Screw	4x24
4	Locknut	15x66
5	Tube, "U"	54410E700
6	Pin, Hair	31x6
7	Pin, Hinge	54407Z
8	Tube, Center	54412E700
9	Bolt, Special	6x93Z
10	Lockwasher	18x15
11	Nut, Hex	15x32
12	Channel Assembly	54422E700
13	Pin, Channel	54408Z
14	Bolt, Hex	1x84
15	Mount Assembly, Bagger	54587E700
16	Nut, Hex	15x108
17	Cap, End	24862
18	Elbow	91944
19	Screw	26x239
20	Handle, Connector Tube	54416E700
21	Locknut, Flange	15x89
22	Latch, Rubber	54564
23	Wingnut	14x86
24	Tube, Extension	54564SE
25	Hex Nut	15x41

KEY NO.	DESCRIPTION	PART NO.
26	Pin, Latch	54563
27	Bolt, Carriage	2x39
28	Plate	54566E701
29	Tube, Connector	91967
30	Screw	4x71
31	Hinge, Cover	54398E700
32	Washer	17x51Z
33	Bolt, Hex	1x125
36	Fastener, Plastic *	193x1
37	Containers (Quantity 2)	54727SE
41	Bolt, Carriage	2x64
42	Shell, Front Weight	55441
43	Plug, Front Weight	24863
44	Support, Weight (Type A)	92386E700
45	Bracket, Right Hanger	92385E700
46	Bracket, Left Hanger	92384E700
47	Support, Weight (Type B)	54552E700
48	Nut, Flange	15x88
49	Nut, Jam	15x109
50	Carriage, Bolt	2x74
51	Handle, Plastic	54537
52	Screw	4x21
53	Nut, Hex	15x81
—	Parts Bag, Hardware	54582
—	Book, Instruction	F-93917

5F

Attachments
Reprinted 12/96