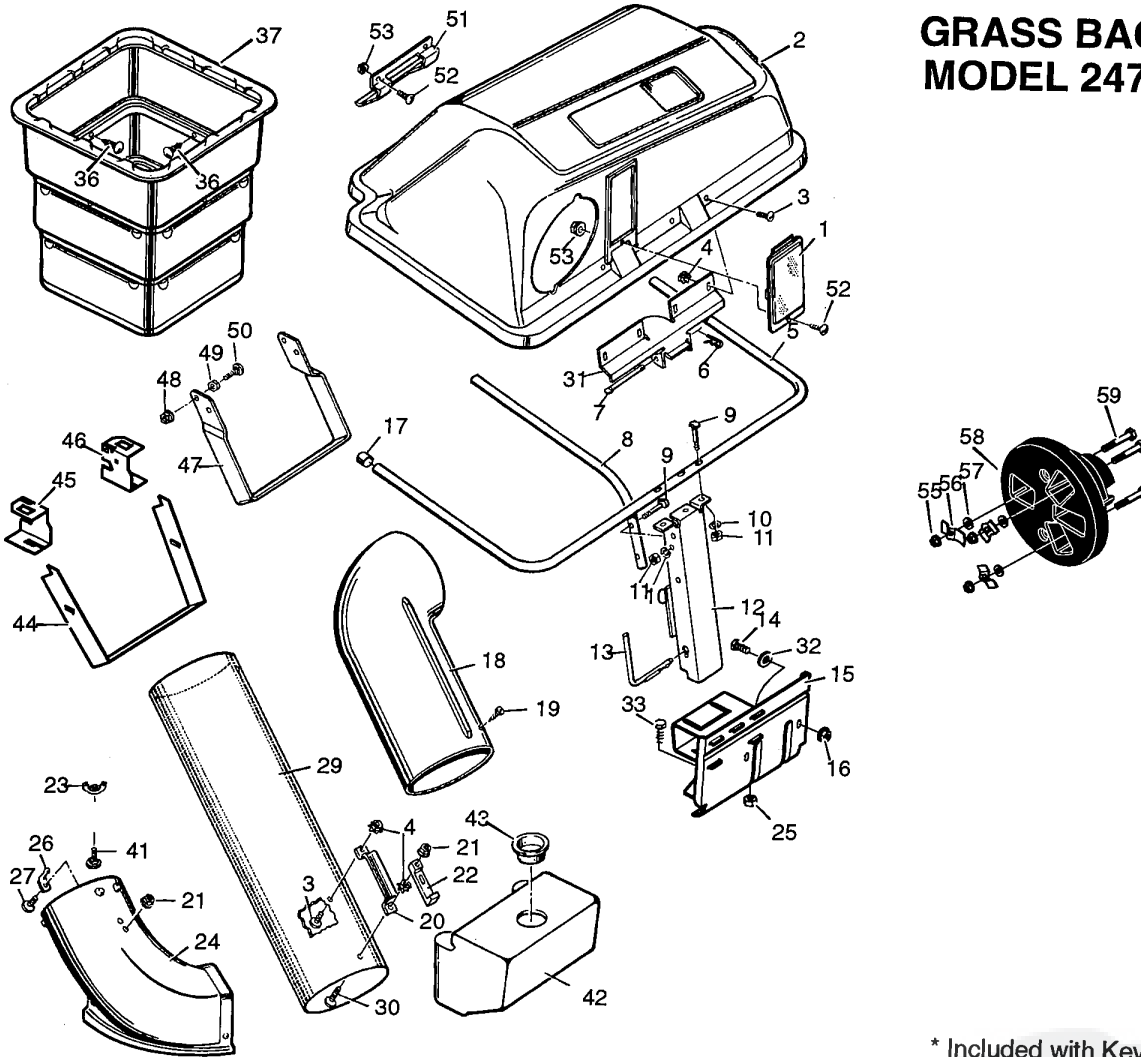


# GRASS BAGGER MODEL 24742A



\* Included with Key No. 37.

KEY NO.	DESCRIPTION	PART NO.
1	Window	54575
2	Cover	54576
3	Screw	4x24
4	Locknut	15x66
5	Tube, "U"	54410E701
6	Pin, Hair	31x6
7	Pin, Hinge	54407Z
8	Tube, Center	54412E701
9	Bolt, Special	6x93Z
10	Lockwasher	18x15
11	Nut, Hex	15x32
12	Channel Assembly	54422E701
13	Pin, Channel	54408Z
14	Bolt, Hex	1x84
15	Mount Assembly, Bagger	94690E701
16	Nut, Hex	15x108
17	Cap, End	24862
18	Elbow	91944
19	Screw	26x239
20	Handle, Connector Tube	54416E701
21	Locknut, Flange	15x89
22	Latch, Rubber	54965
23	Wingnut	14x86
24	Tube, Extension	54564SE
25	Hex Nut	15x41
26	Pin, Latch	54563
27	Bolt, Carriage	2x39

KEY NO.	DESCRIPTION	PART NO.
29	Tube, Connector	94954
30	Screw	4x71
31	Hinge, Cover	54398E701
32	Washer	10851Z
33	Bolt, Hex	1x125
36	Fastener, Plastic *	193x1
37	Containers (Quantity 2)	54727SE
41	Bolt, Carriage	2x64
42	Shell, Front Weight	55441
43	Plug, Front Weight	24863
44	Support, Weight (Type A)	92386E701
45	Bracket, Right Hanger	92385E701
46	Bracket, Left Hanger	92384E701
47	Support, Weight (Type B)	54552E701
48	Nut, Flange	15x88
49	Nut, Jam	15x109
50	Carriage, Bolt	2x74
51	Handle, Plastic	54537
52	Screw	4x21
53	Nut, Hex	15x81
55	Nut, Flange	15x88
56	Clip, Wheel	94784
57	Retainer	28x64
58	Weight, Wheel	94783
59	Bolt	1X141
—	Book, Instruction	F-97900

5G

Attachments  
12/96