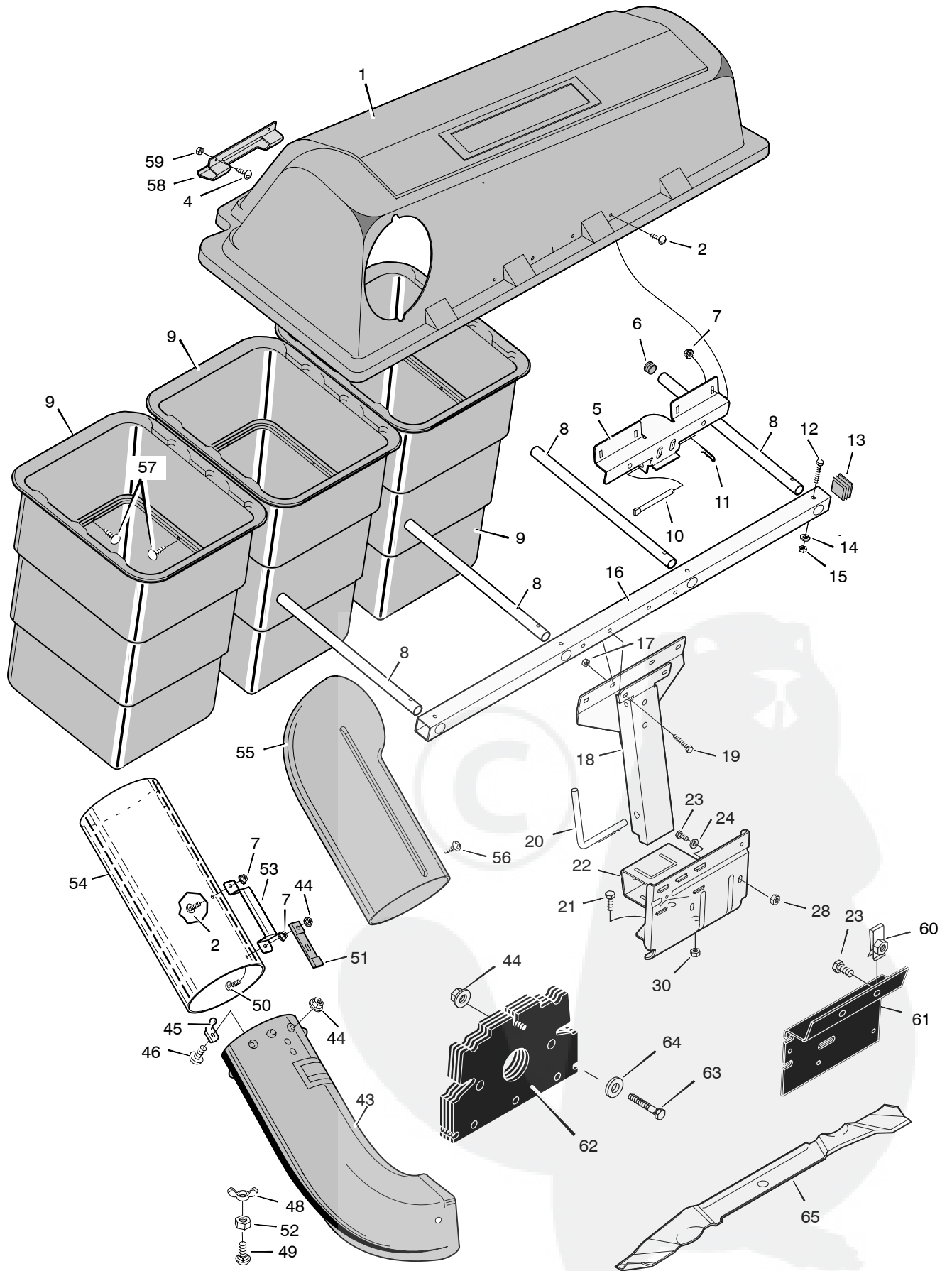


24767x50B



24767x50B

Key No.	Description	Part No.	Key No.	Description	Part No.
1	Cover, Bagger	054750	30	Nut, Hex	015x41
2	Screw	004x24	43	Extension, Chute	054774
4	Screw	004x21	44	Locknut, Flange	015x89
5	Hinge, Bracket	054754E701	45	Pin, Latch	054563
6	Plug	054776	46	Bolt, Carriage	002x39
7	Nut, Hex	015x66	48	Wingnut	014x86
8	Tube, Container	054753E701	49	Bolt, Carriage	002x74
9	Container	054752	50	Screw	004x71
10	Pin, Cover Hinge	054407 Z	51	Latch, Rubber	054695
11	Pin, Hair	0031x6	52	Nut	15x109
12	Bolt	001x98	53	Handle, Connector Tube	054416 Z
13	Plug	054777	54	Tube, Connecting	054778
14	Lockwasher	018x15	55	Elbow	091944
15	Nut	0015x2	56	Screw	26x239
16	Tube, Support	054761E701	57	Fastener, Panel	0193x1
17	Nut	15x118	58	Handle, Plastic	054537
18	Assembly, Channel	054757E701	59	Nut, Hex	015x81
19	Bolt	01x138	60	U-Nut	028x69
20	Pin, Channel Mount	054408 Z	61	Bracket, Adapter	054758E701
21	Bolt, Hex	01x125	62	Weight, Front	690370E701
22	Assembly, Bagger Mount	094690E701	63	Bolt	01x152
23	Bolt, Hex	01x141	64	Washer	017x38
24	Washer	010851 Z	65	Blade, Hi-Lift (117cm)	056631E701
28	Nut, Super Flange	15x108	—	Book, Instruction	F-040902L