

OWNER'S MANUAL

42" SNOW BLADE ATTACHMEN

MODEL 5661-0601

ONE YEAR LIMITED WARRANTY

For one (1) year from date of purchase by the first consumer for residential use thirty (30) days commercial use, NOMA Outdoor Products Incorporated warrants that it will replace free of charge, including labor, any original part of any NOMA Outdoor Products Incorporated product found to be defective by any authorized Service Dealer or the factory, except the battery which is warranted for ninety (90) days from date of purchase.

This warranty does not cover engine, transmission, transaxle or differential (these items are covered by their manufacturer's own warranty). This warranty does not cover parts that have failed due to normal wear or parts that have failed subject to misuse or abuse. Transportation of the unit or part to and from an authorized Service Dealer or factory is the responsibility of the owner.

A step by step explanation as to what procedure should be followed for this Warranty is:

1. If a part becomes defective, contact the store where the unit was purchased for the name and address of the authorized Service Dealer nearest to you.
2. If you cannot locate an authorized Service Dealer, write Service Department of NOMA Outdoor Products Incorporated for the name and address of the authorized Service Dealer in your area or call the Service Department at 1-901-422-1690.
3. Return the defective product, along with proof of purchase to such authorized Service Dealer for replacement of any defective part where covered by this warranty.

There is no other express warranty. Implied warranties, including those of merchantability and fitness for a particular purpose are limited to one (1) year from date of purchase. Liability for incidental or consequential damages are excluded.

Some states do not allow limitations on how long an implied warranty lasts, so the above limitation may not apply to you. Some states do not allow the exclusion of incidental or consequential damages, so the above exclusion may not apply to you. This warranty gives you specific legal rights, and you may have other rights which vary from state to state.

NOMA Outdoor Products Incorporated

Caller 8000

Jackson, TN 38308-8000

UNIT PARTS AND SERVICE

This manual contains instructions for safety, assembly and maintenance. Read this manual carefully and completely so that you will know proper assembly, use and care of your unit. Also fill in and mail the registration card packed with the unit. For service other than covered in this manual, contact an authorized service dealer. A nationwide parts and service organization has been established to provide locally available parts and service. A list of authorized parts distributors has been included in this manual. When ordering repair parts, always give the following information: 1. The Part Name; 2. The Part Number; 3. The Quantity desired; 4. The Full (eight digit) Model Number of the unit. The model number will be found on a plate attached to the unit.



Look for this symbol. It means - ATTENTION! BECOME ALERT! A HAZARD TO OPERATOR, BYSTANDER, PROPERTY OR EQUIPMENT MAY EXIST.

189373
Part No. 324165

NOMA Outdoor Products Incorporated
Caller 8000
Jackson, TN 38308-8000

4891

Price \$5.00

Printed in U.S.A



OPERATIONAL PRECAUTIONS

THESE INSTRUCTIONS ARE FOR YOUR PROTECTION. PLEASE READ THEM CAREFULLY.



- Use blade only for snow removal.
- Do not allow blade to strike curbs or other obstructions.
- When transporting blade from one point of another, always lock latch in travel position.
- Do not allow children to operate rider. Do not allow adults to operate without proper instruction.
- Clear work area of large rocks or obstructions.
- Never attempt to carry passengers. Their safety, as well as yours, may be in danger.
- Do not allow others, including children and pets, in the area while operating rider with snowblade.
- Take all proper precautions when leaving the rider unattended. Set the parking brake, stop the engine, remove the key, lower the blade attachment.
- Keep the rider and snowblade attachment in good operating condition and keep safety devices in place.
- Keep all nuts, bolts, and screws tight to be sure equipment is in safe working condition. Check all fasteners for proper tightness at frequent intervals.
- Rider and attachments should be stopped and inspected if vibration develops or after striking a foreign object.
- Review the operational precautions in the manual supplied with your riding mower.

OWNER'S INFORMATION

Record the following information about your unit so that you will be able to provide it in case of loss or theft.

MODEL NUMBER: - (Enter complete 8 digit number from model plate on unit)

PURCHASE DATE: ___ / ___ / ___ CODE NO.: _____ SERIAL NO.: _____

DEALER'S NAME AND ADDRESS: _____

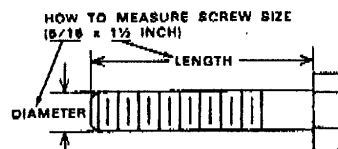
CITY: _____ STATE: _____ TELEPHONE: _____

CONTENTS OF SHIPPING CARTON

- 1 - Snow Blade Assembly
- 1 - Parallel Bar Assembly
- 1 - Handle Assembly
- 1 - Handle Extension
- 1 - Latch Strap
- 1 - Right Hand Brace Tube
- 1 - Left Hand Brace Tube
- 1 - Right Hand Mounting Bracket
- 1 - Left Hand Mounting Bracket
- 1 - Quadrant Rod
- 1 - Pivot Link
- 1 - Owner's Manual
- 1 - Bag of Assembly Parts Containing:
 - 1 - Hand Grip
 - 1 - Eye Bolt
 - 1 - "U" Bolt
 - 1 - "U" Bolt Strap
- 4 - Spacers
- 2 - 1/8 x 1 inch Cotterpins
- 2 - 1/4 inch Locknuts
- 1 - 5/16 x 1-1/2 inch Hex Head Screws
- 2 - 5/16 inch Locknut
- 2 - 3/8 x 1-3/4 inch Hex Head Screws
- 10 - 3/8 x 3/4 inch Hex Head Screws
- 13 - 3/8 inch Locknuts
- 1 - 3/8 inch Hex Nut
- 3 - 13/32 inch Flatwashers

TOOLS REQUIRED FOR ASSEMBLY

- 2 - 9/16 inch Wrenches (or adjustable wrenches)
- 1 - 3/8 inch Wrench (or adjustable wrench)
- 2 - 1/2 inch Wrenches (or adjustable wrenches)
- 1 - Screwdriver
- 1 - Hammer



TO PREPARE RIDING MOWER

- Remove mower deck. See Mower Deck Removal instructions in your riding mower instruction manual. **NOTE:** Assembly of this blade will be easier with the assistance of a second person.
- Locate hole in main frame under foot pad on each side near where fender is bolted to running board. Punch hole through foot pad at this location.

TO ASSEMBLE SNOW BLADE TO RIDING MOWER

This snow blade is designed to fit different types of riding mowers. Mounting instructions 1 through 8 will be slightly different for each type. Identify which type riding mower you have as follows:

SMALL FRAME - Steering sector gear is located on top side of main frame just behind engine.

LARGE FRAME - Steering sector gear is located on bottom side of main frame just behind engine.

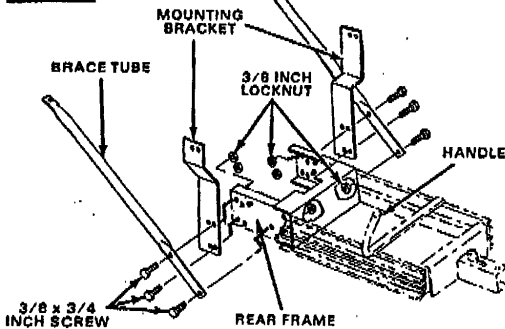
Assemble snow blade step by step as instructed. Disregard steps that apply to type of rider that is different than type you have. **NOTE:** Assembly of this blade will be easier with the assistance of a second person.

ASSEMBLY

Small Frame Rider

1. Lay parallel bar assembly (Figure 1) on flat surface with handle extending upward.

Figure 1

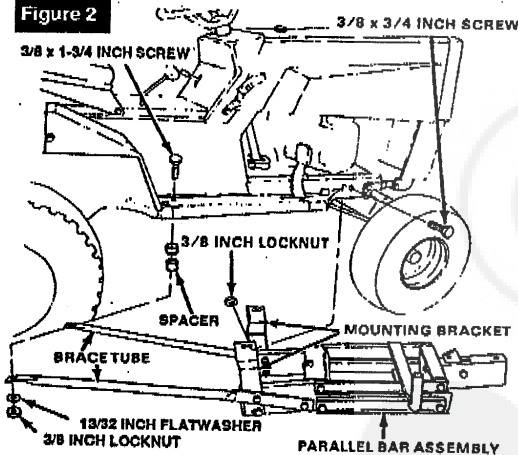


2. Secure mounting bracket to rear frame assembly as shown in Figure 1 with a 3/8 x 3/4 inch hex head screw through lower front hole in bracket and through lower rear hole of rear frame side. **NOTE:** Mounting bracket top (with 2 holes) must bend outward and holes toward front of parallel bar assembly. Secure with a 3/8 inch locknut, but do not tighten. Mounting bracket with sharp bend must be installed on left side (right or left side determined from operators position on riding mower).

3. Secure lower end of brace tube to rear hole in rear frame assembly as shown in Figure 1 with a 3/8 x 3/4 inch hex head screw and a 3/8 inch locknut. Do not tighten. **NOTE:** Brace tube must be installed with flat side (lower end with two holes) against outside of rear frame assembly. Tube should bend outward away from rear frame assembly and top end (with slot) should bend down slightly.

4. Place a 3/8 x 3/4 inch hex head screw through upper of two holes in brace tube, through upper of front hole in mounting bracket and through upper rear hole in rear frame assembly as shown in Figure 1. Secure with a 3/8 inch locknut but do not tighten.

Figure 2



5. Attach mounting bracket and brace tube to opposite side in same manner.

6. Slide parallel bar assembly under front of riding mower with brace tubes toward rear wheels.

7. Lift front of rear frame assembly and secure mounting brackets to inside of main frame with a 3/8 x 3/4 inch hex head screw through hole in side of main frame just behind where grille is attached to main frame and through rear hole in top of mounting bracket as shown in Figure 2. Secure with a 3/8 inch locknut but do not tighten.

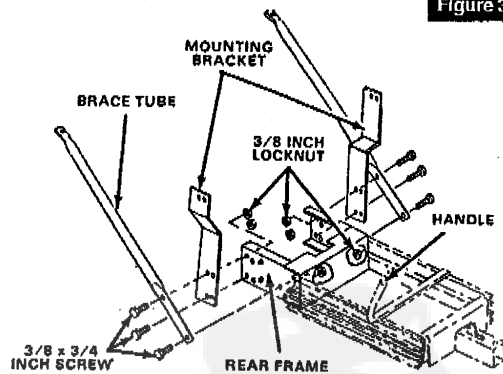
8. Secure mounting bracket to main frame on opposite side in same manner. **NOTE:** Proceed to step 9.

Large Frame Rider

1. Lay parallel bar assembly (Figure 1) on flat surface with handle extending upward.

2. Secure mounting bracket to rear frame assembly as shown in Figure 1 with a 3/8 x 3/4 inch hex head screw through lower front hole in bracket and through lower rear hole of rear frame side. **NOTE:** Mounting bracket top (with 2 holes) must bend outward and holes toward front of parallel bar assembly. Secure with a 3/8 inch locknut, but do not tighten. Mounting bracket with sharp bend must be installed on left side (right or left side determined from operators position on riding mower).

Figure 3



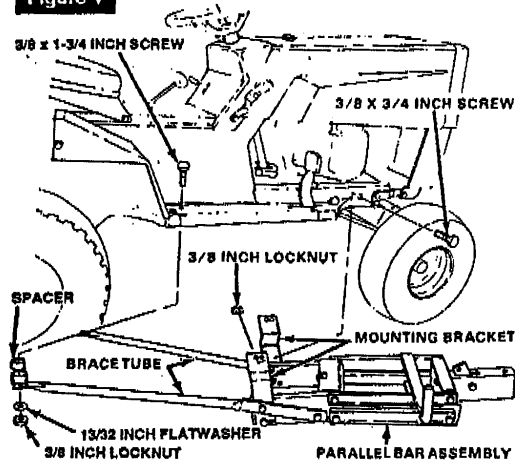
3. Secure lower end of brace tube to rear hole in rear frame assembly as shown in Figure 3 with a 3/8 x 3/4 inch hex head screw and a 3/8 inch locknut. Do not tighten. **NOTE:** Brace tube must be installed with flat side (lower end with two holes) against outside of rear frame assembly. Tube should bend outward away from rear frame assembly and top end (with slot) should bend down slightly.

4. Place a 3/8 x 3/4 inch hex head screw through upper of two holes in brace tube, through upper rear hole in mounting bracket and through upper rear hole in rear of rear frame assembly as shown in Figure 3. Secure with a 3/8 inch locknut but do not tighten.

5. Attach mounting bracket and brace tube to opposite side in same manner.

6. Slide parallel bar assembly under front of riding mower with brace tubes toward rear wheels.

Figure 4

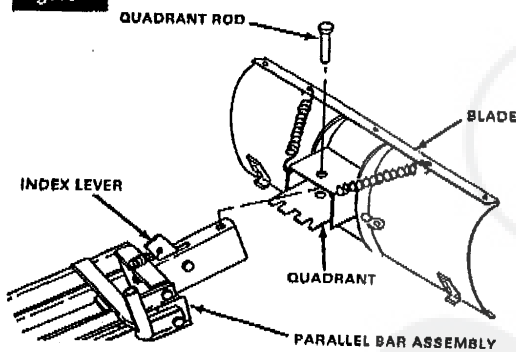


7. Lift front of rear frame assembly and secure mounting brackets to inside of main frame with a 3/8 x 3/4 inch hex head screw through hole in side of main frame just behind where grille is attached to main frame and through rear hole in top of mounting bracket as shown in Figure 4. Secure with a 3/8 inch locknut but do not tighten.
8. Secure mounting bracket to main frame on opposite side in same manner. **NOTE:** Proceed to step 9.

Small Frame and Large Frame Riders

9. Place a 3/8 x 1-3/4 inch hex head screw down through hole punched in foot pad as shown in Figure 2 or 4. Secure rear end of brace tube to this screw (with spacers between brace and foot pad) with a 13/32 inch flatwasher and a 3/8 inch locknut.
10. Secure brace tube on opposite side in same manner.
11. Tighten all screws and nuts securely.
12. Lubricate both top and bottom 3/4 inch holes in front center of square tube extending from front of parallel bar assembly with oil or grease.
13. Move blade assembly (Figure 5) to front of riding mower and place quadrant on back side of blade over square tube extending from front of parallel bar assembly.

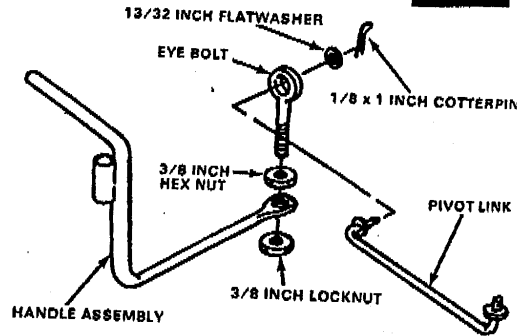
Figure 5



14. Attach blade to parallel bar assembly by pushing quadrant rod (Figure 5) down through center holes in quadrant and parallel bar assembly. **NOTE:** Tap quadrant rod with a hammer to lodge top (rough) end of rod into top plate of quadrant.

15. Place a 3/8 inch hex (non-locking) nut all the way onto end of eye bolt (Figure 6).
16. Place eye bolt through top side of hole in end of handle assembly as shown in Figure 6, and attach with one 3/8 inch locknut. Tighten locknut securely, then loosen 1/2 turn. **NOTE:** Eye bolt must be loose enough to turn but not wobble.

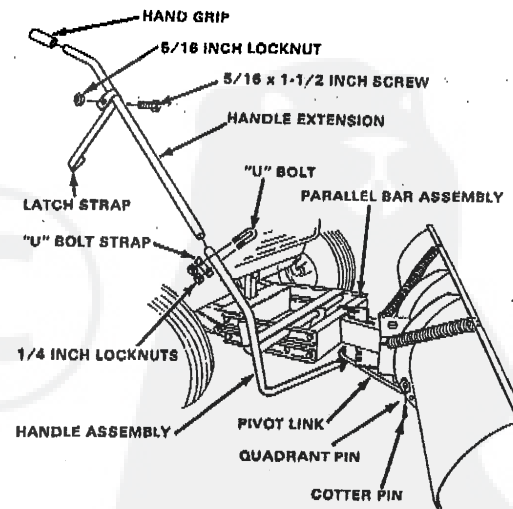
Figure 6



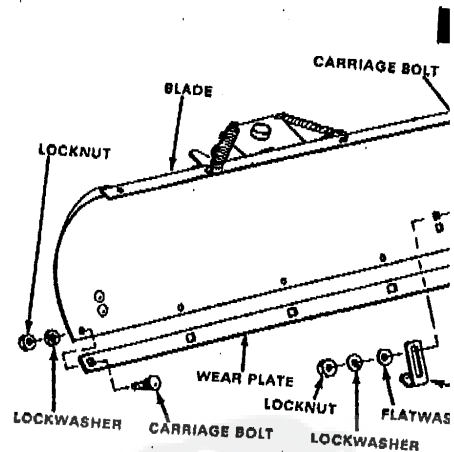
17. Place one end of pivot link through eye bolt as shown in Figure 6 and attach with one 13/32 inch flatwasher and one 1/8 inch x 1 inch cotterpin. Spread end of cotter pin with a screwdriver or pliers.

18. Place tube on side of handle assembly (Figure 7) down over handle extending up from right front side of parallel bar assembly. **NOTE:** Be sure that pivot link (attached to bottom end of handle assembly) extends forward and front bend in link is upward.

Figure 7



19. Hook front end of pivot link up through hole in quadrant pin (extending from right side of quadrant on blade). Secure with a cotter pin.
20. Place "U" bolt strap onto "U" bolt and start 1/4 inch locknuts on "U" bolt.
21. Place "U" bolt over top end of handle assembly and push down about 6 inches. Tighten nuts on "U" bolt just enough to hold in place.
22. Place handle extension (Figure 7) over top end of handle assembly.
23. Sit on riding mower and adjust length of handle extension to most comfortable position. **NOTE:** Be sure that handle extension does not touch fender when pushed all the way down. Tighten nuts on "U" bolt to stop handle extension at selected position.
24. Place latch strap (with rounded end) over handle extension as shown in Figure 7 with open end out. Secure with a 5/16 x 1-1/2 inch hex head screw (from inside out) and a 5/16 inch locknut. Do not tighten.
25. Sit on riding mower, push down on handle extension until blade is fully lifted, turn handle so that lower end of latch hooks under running board. Adjust latch strap on handle so that it does not interfere with brake-clutch pedal operation. Tighten screw securing latch strap to handle extension.
26. Place hand grip onto top end of handle extension.
27. Remove handle extension and lubricate top end of handle assembly with oil or grease. Reinstall handle extension.
28. Push down on handle extension, turn handle to unhook handle latch and push handle to the right (or outward) to rotate blade to the right. Pull handle left (or inward) to rotate blade to left.
29. Position blade in a straight position in front of riding mower (not angled right or left). Lower blade to flat surface.
30. If wear plate (Figure 8) does not touch a way across blade, loosen nuts on back side of blade to cure wear plate and push plate down against blade. Retighten nuts.
31. If snow is to be removed from a smooth surface:
 - A. Place blade in a straight position and all down on a flat surface.
 - B. Loosen screws securing skids (Figure 6) back side of blade.
32. If snow is to be removed from a rough surface:
 - A. Place blade in a straight position and all down on a flat surface.
 - B. Place a block under each end of blade (if necessary) to raise blade for desired amount of clearance.
 - C. Loosen screws securing skids (Figure 6) back side of blade.
 - D. Push skids down against flat surface and nuts.



OPERATION

Before using the snow blade, be sure that you know all the controls for both the riding mower and the blade. See Riding Mower Manual for rider operating instructions.

CAUTION: Remember that you cannot see objects below the surface of the snow. Keep the area you intend to plow free of rock, bottles and other debris as these objects freeze to the surface. We recommend that you operate your riding mower in low gear over rough surfaces or areas you are not totally familiar with.

DO NOT allow blade to strike curbs and other obstructions. If the leading edge of the blade does strike a solid object blade springs will allow the blade to pivot on the quadrant assembly. If this happens, back up slightly and raise blade. Blade springs will snap blade back into position.

REPAIR PARTS

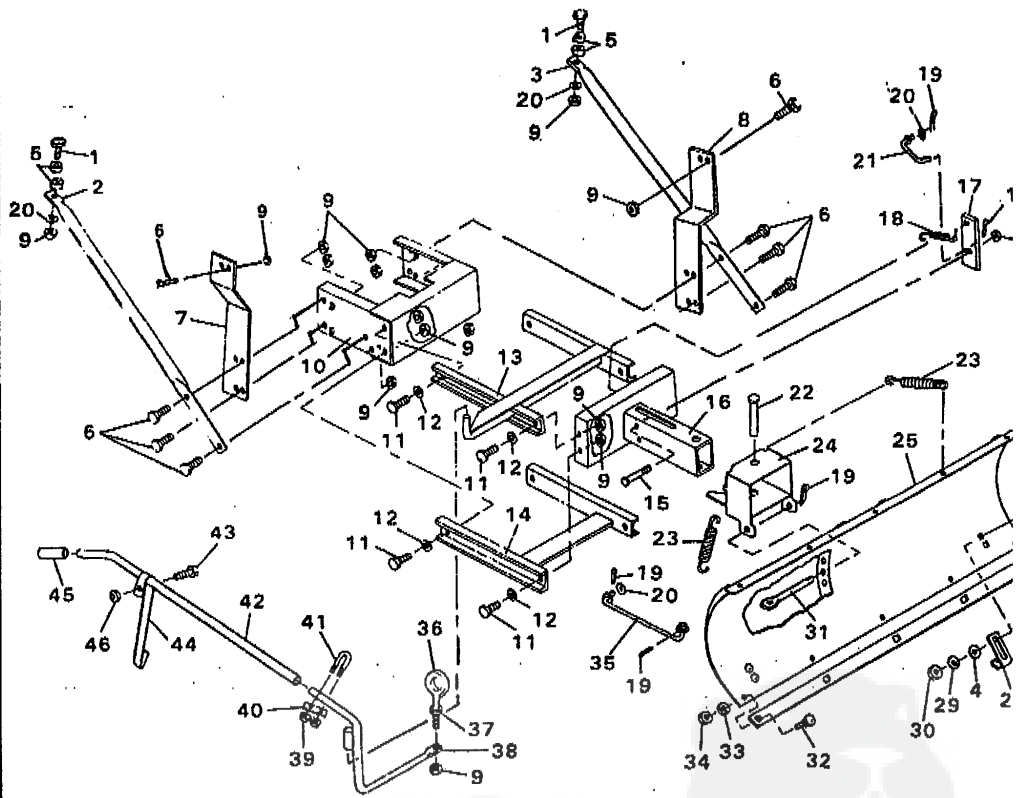
ALWAYS GIVE THE FOLLOWING INFORMATION WHEN ORDERING REPAIR PARTS:
 1. The PART NUMBER; 2. The PART NAME; 3. QUANTITY DESIRED; 4. The MODEL NUMBER (As shown on Model Plate).
 SEND PART ORDERS AS PER INSTRUCTIONS ON THE FRONT PAGE.
 YOUR UNIT IS RIGHT HAND (RH) OR LEFT HAND (LH) AS YOU STAND BEHIND IT.
 DO NOT USE KEY NUMBERS WHEN ORDERING REPAIR PARTS, ALWAYS USE PART NUMBERS.
 All replacement parts will be supplied in current production colors or in a neutral color.
 A handling fee is applicable to small parts orders.

| Key No. | Part No. | Description | Key No. | Part No. | Description |
|---------|----------|-------------------------------------|---------|----------|--|
| 1 | 180128 | Screw, Hex Head, 3/8-16 x 1.75 In. | 25 | 48952 | Blade Assembly |
| 2 | 55604 | Brace, R.H. | 26 | 126358 | * Carriage Bolt, 1/4-20 x 1 In. |
| 3 | 55605 | Brace, L.H. | 27 | 48974 | Wear Strip |
| 4 | 120393 | Flatwasher, 11/32 In. | 28 | 25091 | Skid |
| 5 | 301006 | Spacer | 29 | 120638 | * Lockwasher, Split, 5/16 In. |
| 6 | 122119 | * Screw, Hex Head, 3/8-16 x 3/4 In. | 30 | 120376 | * Nut, Hex, 5/16-18 Thd. |
| 7 | 300850 | Bracket, R.H. | 31 | 48981 | Pin, Quadrant |
| 8 | 300849 | Bracket, L.H. | 32 | 120518 | Carriage Bolt, 1/4-20 x 3/4 In. |
| 9 | 1499 | Locknut, Hex, 3/8-16 Thd. | 33 | 120380 | * Lockwasher, Split, 1/4 In. |
| 10 | 300847 | Rear Frame Assembly | 34 | 120375 | * Nut, Hex 1/4-20 Thd. |
| 11 | 120233 | * Screw, Hex Hd, 3/8-16 x 2-1/2 In. | 35 | 48976 | Link, Pivot |
| 12 | 55599 | Spacer | 36 | 48990 | Eye Bolt, 3/8-16 x 1 In. |
| 13 | 55581 | Parallel Bar Assy., Upper | 37 | 124829 | * Jam Nut, Hex, 3/8-16 Thd. |
| 14 | 55591 | Parallel Bar Assy., Lower | 38 | 48970 | Handle Assembly, Lower |
| 15 | 122194 | * Screw, Hex Hd, 3/8-16 x 2-1/2 In. | 39 | 1502 | Locknut, Hex, 1/4-20 Thd. |
| 16 | 51532 | Frame Assembly | 40 | 55608 | Strap, U-Bolt |
| 17 | 48977 | Bar, Index | 41 | 55607 | "U" Bolt |
| 18 | 41357 | Spring, Tension | 42 | 48983 | Extension, Handle, Upper |
| 19 | 137185 | * Cotter Pin, 1/8 x 1 In. | 43 | 122040 | * Screw, Hex Head, 5/16-18 x 1-1/2 In. |
| 20 | 120394 | * Flatwasher, 13/32 In. | 44 | 55688 | Latch |
| 21 | 323541 | Link, Index | 45 | 8240 | Grip, Upper Handle |
| 22 | 48982 | Rod, Quadrant | 46 | 1498 | Locknut, Hex, 5/16-18 Thd. |
| 23 | 48979 | Spring, Blade | 47 | 324165 | Owner's Manual (Not Illustrated) |
| 24 | 55571 | Quadrant Assembly | | | |

(*) Standard Hardware Items - May be Purchased Locally.

48" SNOW BLADE ATTACHMENT MODEL 5661-0601

ALL UNNUMBERED
ITEMS ARE INTERCHANGEABLE
WITH OPPOSITE SIDE



NOTE: ALWAYS USE ORIGINAL EQUIPMENT PARTS. Use of service replacement parts other than original equipment parts may void your warranty.

CONTACT ANY OF THE FOLLOWING DISTRIBUTORS: Parts for: HOMKO - LAWN SCOUT - AMF - TURFMASTER - DYNAMARK - or any other CANADIANA, WESTERN INTERNATIONAL INCORPORATED or NOMA OUTDOOR PRODUCTS INCORPORATED product.

ALABAMA

Automotive Elect. Serv.
415-419 Meridian St.
Huntsville, AL 35801
(205) 539-2131
AL WATS 800-421-1392
*b,c,e,f,g,h

CALIFORNIA

Billio's
1343 S. Main
Porterville, CA 93257
(209) 784-4102
CA WATS 800-228-7285
WATS 800-245-5468
FAX (209) 784-4108
(auto)
*b,c,e,f,g,h

COLORADO

Spitzer Ind. Prod.
6601 N Washington
Thornton, CO 80229
(303) 287-3414
FAX (303) 287-0549
(auto)
*b,c,e,f,g,h

FLORIDA

G.L.O. Products Inc.
13201 S. Belcher Rd.
Largo, FL 33643
(813) 530-9723
FL WATS 800-225-5456
FAX (813) 539-8603
(auto)
*c,e,h
Radco Distributors Inc.
4909 Victor St., Box 5459
Jacksonville, FL 32207-0459
(904) 733-7957
FL WATS 800-727-8701
FAX (904) 737-9575
(auto)
*b,c,e,g,h

ILLINOIS

Garmoe Distr. Inc.
2620 N Mannheim Road
Franklin Park, IL 60131
(708) 455-3588
FAX (708) 455-6069
(auto)
*b,c,e,f,g

INDIANA

Thompson Sales & Service
2400 W. Ridge Road
Gary, IN 46408
(219) 980-3282
FAX (219) 980-3283
IN WATS 800-234-1470
*c,f,g,h

IOWA

Bruce Engine
1829 N.W. 86th
Des Moines, IA 50325
(515) 278-5151
WATS 800-747-1829
*b,c,e,f,g,h

KENTUCKY

Auto-Electric
715 W. Hwy 80, Box 671
Somerset, KY 42501
(606) 679-1171
FAX (606) 679-1172
*c,e,f,g,h

Cayce Mill Supply Co.
505 E 1st St.
Hopkinsville, KY 42240
(502) 886-3335
FAX (502) 886-5117
KY WATS 800-242-5298
WATS 800-338-6054
*b,c,f,g,h

Kentucky Engine Service
1003-09 E. Broadway
Louisville, KY 40204
(602) 587-7976
FAX (502) 587-7976
WATS 800-456-1006
*b,c,e,f,g,h

MAINE

Automatic Dist. Inc.
22 Target Industrial Cir.
Bangor, ME 04401
(207) 942-6769
FAX (207) 941-0247
ME WATS 800-423-2238
WATS 800-341-1658

MARYLAND

Center Supply Company
6802 Industrial Dr. #208
Beltsville, MD 20705
(301) 595-0860
FAX (301) 595-0783
*b,c,e,f,g

Kunkel Service Company
6252 Frankford Ave
Baltimore, MD 21206
(301) 377-4008
WATS 800-627-3379
FAX (301) 325-1314
*b,c,e,f,g,h

MICHIGAN

Air Cooled Engine Div.
1116 26th Ave.
Menominee, MI 49858
(906) 863-6332
WATS 800-334-8535
FAX (906) 863-1204
*c,e,f,g,h

MINNESOTA

Hanco Distr.
12795 16th Ave. N.
Plymouth, MN 55441
(612) 559-2299
FAX (612) 559-2365
(auto)
*b,c,e,f,g,h

MISSOURI

Gunther's Serv. & Supply
7320 Wornall Road
Kansas City, MO 64114
(816) 523-1952
*a,d,e,f,g,h

Wilson Engine & Parts
Inc.
4159 Shoreline Drive
Earth City, MO 63045
(314) 739-1313
WATS 800-873-6722
FAX (314) 739-8767
(auto)
*b,d,e,f,g,h

NEW JERSEY

Power Distributors, Inc.
71 Northfield Ave.
Edison, NJ 08837
(201) 225-4922
FAX (201) 225-2726
*l

NEW YORK

Loegler & Ladd Inc.
3950 Broadway, Box 214
Buffalo, NY 14225
(716) 684-0600
*c,e

Stiefvater Dist.
Clinton Road, Route 12B
New Hartford, NY 13413
(315) 853-5581
FAX (315) 853-5147
NY WATS 800-843-1330
DLR ONLY
*c,e,f,g,h

NORTH CAROLINA

Dixie Sales Co. Inc.
Box 1408
Greensboro, NC 27402
(919) 375-7500
WATS 800-753-4943
FAX (919) 274-2758
*b,e,f,g,h

OHIO

American Power Distr.
2430 Tremainsville Rd.
Box 5815
Toledo, OH 43613
(419) 475-7261
FAX (419) 475-4815 (auto
after 5:00 pm)
*b,d,e,f,g,h

Gardner, Inc.
1150 Chesapeake Ave.
Columbus, OH 43212
(614) 488-7951
WATS 800-848-8946
*a,b,d,e,g,h

OKLAHOMA

Original Equipment Inc.
9550 A East 55th Place
Tulsa, OK 74146
(918) 864-4902
WATS 800-645-2031
*a,c,e,f,l

PENNSYLVANIA

Bluemont Co.
11101 Frankstown Road
Pittsburgh, PA 15235
(412) 242-1622
WATS 800-344-1200
FAX (412) 243-5673
(auto)
*b,c,e,f,g,h

SOUTH CAROLINA

Magneto & Electric
Service
103 Assembly St.
Columbia, SC 29201
(803) 771-4044
SC WATS 800-922-1118

WATS 800-334-4832
FAX (803) 256-2727
*b,c,e,f,g,h

TENNESSEE

Chilton A/C Engine
319 4th Ave. S.,
Box 150806
Nashville, TN 37201
(615) 254-1634
FAX (615) 242-6618
WATS 800-621-6934
*b,c,e,f,g,h

Ace Dist.
2103 E. Magnolia Ave.
Box 3577
Knoxville, TN 37917
(615) 524-5359
FAX (615) 524-8263
TN WATS 800-332-9904
WATS 800-343-2403
*b,c,e,f,g,h

Meadart Engine of
Memphis
4365 Old Lamar
Memphis, TN 38118
(901) 795-4365
WATS 800-338-9379
(OS)
*c,e,g,h

TEXAS

Marr Bros. Inc.
423 E. Jefferson
Dallas, TX 75203
(214) 948-7387
FAX (214) 946-6259
(auto)
*a,d,e,f,g,h
Midland Small Engine
Sales
105 Carlton, Box 4215
Midland, TX 79704
(915) 884-5553
*b,d,e,f,g,h

VIRGINIA

Norva Small Engines
7941 Wellingford Dr.
Manassas, VA 22110
(703) 369-3387
FAX (703) 369-9788
WATS 800-444-8390
*c,e,f,g,h

RBI Corporation
101 Cedar Ridge Rd.
Richmond, VA 23227
(804) 550-2210
FAX (804) 550-2386
WATS 800-825-8530
*b,c,f,g,h

WASHINGTON

Pacific A/C Engine
4111 Airport Way S.
Seattle, WA 98108
(206) 623-6906
FAX (206) 622-1736
c,e,f,h

WISCONSIN

Praefke A/C Engine
4050 N. 128th St
Brookfield, WI 53005
(414) 781-7010
FAX (414) 781-9546
*c,e,f,g,h
Wiggert Parts Ctr.
219 South, 3rd Street
La Crosse, WI 54602
(608) 784-4715
FAX (608) 784-4736
*c,e,f,g,h

CANADA

Noma Outdoor Prod., Inc.
155 Orenda Rd.
Brampton, Ontario L6W
1W3
(416) 457-1433
*l

Rev. 11/19/91

(*) General Information
Codes:
(a) Advance Payment
Required
(b) Accepts Credit Cards
(c) C.O.D. okay
(d) No C.O.D.
(e) Accessories Available
(f) Briggs & Stratton dealer
or distributor
(g) Tacumseh/Peerless
dealer or distributor
(h) Foote dealer or
distributor
(i) Dealer sales only,
contact for closest dealer.