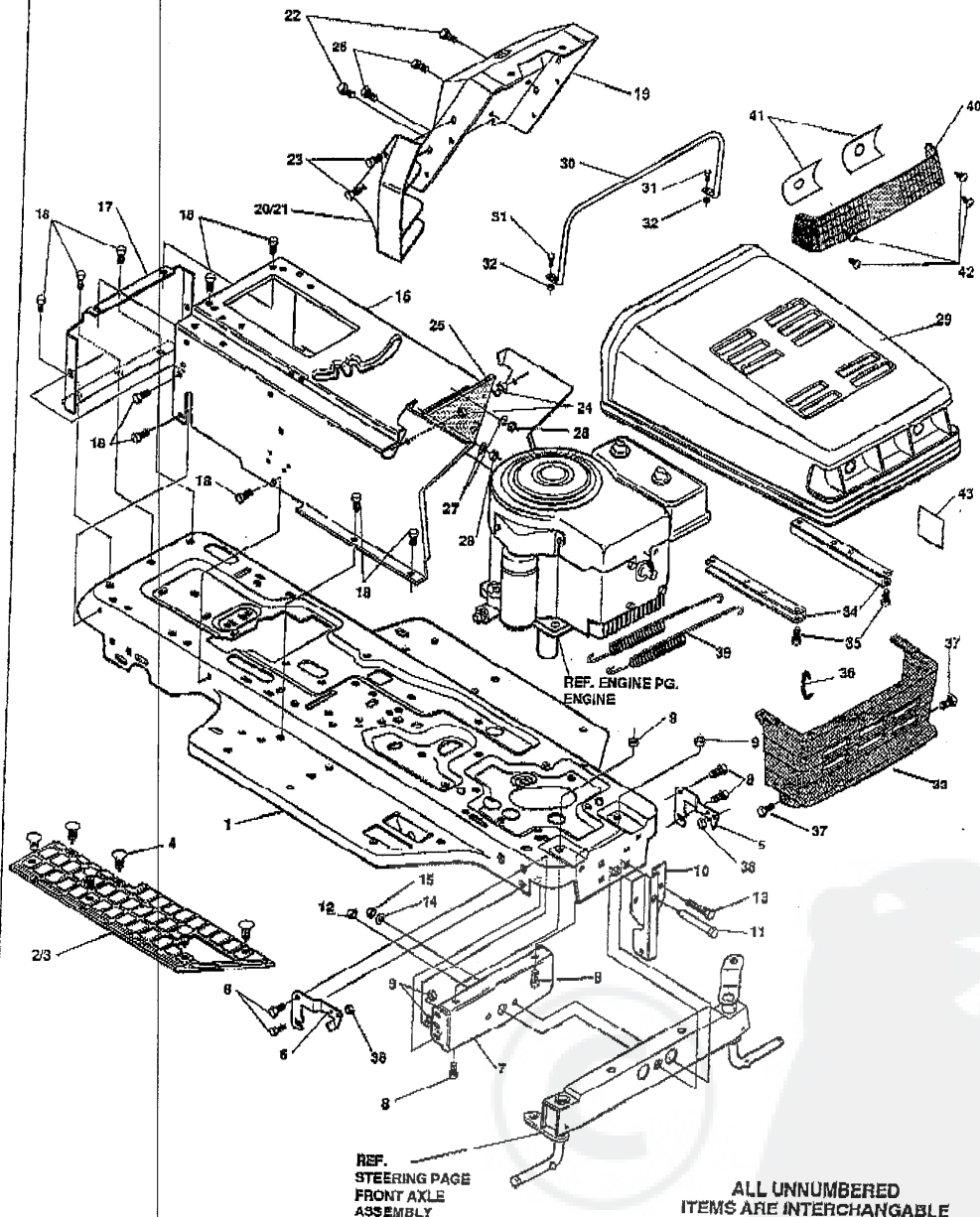


36" LAWN TRACTOR MODEL B3554-430

CHASSIS & HOOD ASSEMBLY



REF. ENGINE PG.
ENGINE

REF.
STEERING PAGE
FRONT AXLE
ASSEMBLY

ALL UNNUMBERED
ITEMS ARE INTERCHANGABLE
WITH OPPOSITE SIDE

NOTE: ALWAYS USE ORIGINAL EQUIPMENT PARTS. Use of service/replacement parts other than original equipment parts may void your warranty.

316976A

Part No. 317603

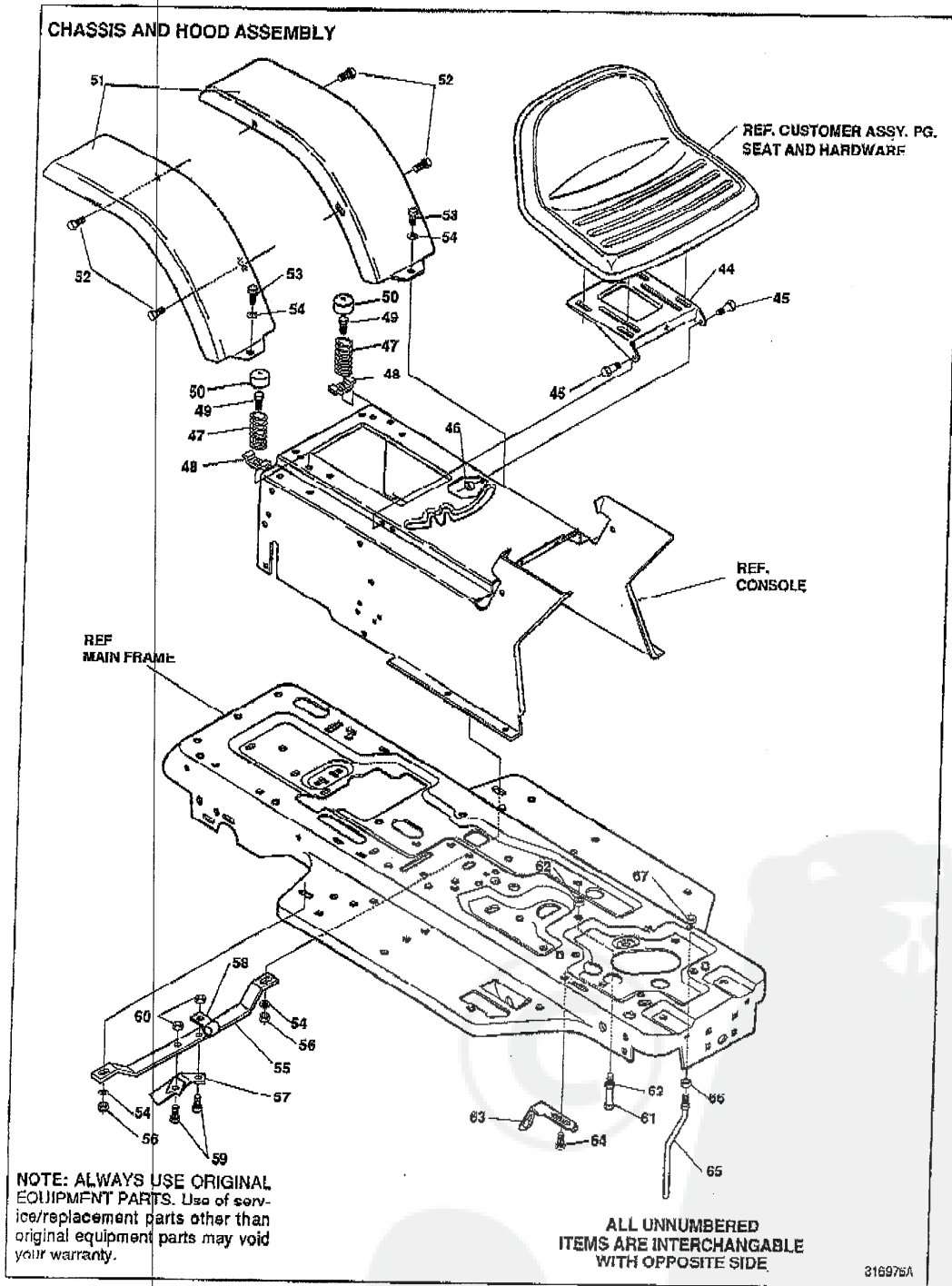
4

36" LAWN TRACTOR MODEL B3554-430

key#	part#	description	qty
1	315066	FRAME,MAIN SF RIDER	1
2	310003	FOOTPAD,LH SF MOLDED DYNA	1
3	310004	FOOTPAD,RH SF MOLDED DYNA	1
4	309235	FASTENER, RATCHET	12
5	313045	BRACKET,GRILLE L.H	1
6	313046	BRACKET,GRILLE R.H.	1
7	313437	BRKT,SUPT FRT AXLE-SF	1
8	056030	SCREW, 5/16-18X.75WDFLLK	6
9	055273	NUT, 5/16-18 HXWDFLLK	6
10	8541	BRACKET, FRONT HANGER	1
11	050720	BOLT, .625X2.875 SPSH 1/2-20	1
12	0274654	NUT, 1/2-20 REGHXCTRLK	1
13	0122201	SCREW, 3/8-16X2.75 HHC	1
14	02483	WASHER, .391DX1.25DX.07	1
15	01499	NUT, 3/8-16 REGHXCTRLK	1
16	310301	CONSOLE,SF GPWR NOTCHED TOP	1
17	8521	CONSOLE, REAR COVER	1
18	0095346	SCREW, 1/4-20X .50 WAHHTAP	15
19	305318	DASH,SM.FR.W/O AMMET GPWR	1
20	302723	INSERT,DASH,LH 11 HP	1
21	302724	INSERT,DASH,RH 11HP	1
22	0995338	SCREW, 1/4-20X .63 HHWATAP	2
23	0274672	SCREW, 1/4-20X .63 WAHHC	4
24	051335	NUT, 1/4-20 WDFLLK	4
25	012306	BAFFLE CONSOLE	1
26	0300314	SCREW, 1/4-20X .88WAHHTAP	2
27	0120393	WASHER, FLAT .344X .88X.065	2
28	01502	NUT, 1/4-20 REGHEXCTRLK	2
29	307032	HOOD, H-12 PLASTIC	1
30	807278	SUPPORT,HOOD H-12 GP.11HP	1
31	0301542	SCREW, 10-24X1.00HWATAP	4
32	0271166	NUT, #10-24 HEXKERS	4
33	302722	GRILL, G-15 GPWR SM LWR	1
34	9783	BRACKET,TIE,HOOD	2
35	035055	SCREW, 10-24X.50 SLHWATAP	8
36	310203	CLIP HCG RING	1
37	066676	BOLT, .375X .58U HSSH 5/16-18	2
38	01498	NUT, 5/16-18 REGHEXCTRLK	2
39	57478	SPRING, HOOD LATCH	2
40	305716	LENS 11 HP HAKO SMOKED	1
41	304979	FOIL, REFLECTOR LENS- BULB	2
42	057796	SCREW, #6 X .50 PLASTITE	4
43	301452	FOIL, HEAT REFLECTOR	1
44	125639	OPERATOR'S MANUAL (NOT ILLUSTRATED) ENG.	1
45	317603	PARTS MANUAL (NOT ILLUSTRATED) ENG.	1

◊ Indicates STANDARD HARDWARE ITEMS.

36" LAWN TRACTOR MODEL B3554-430



9

Part No. 317603

36" LAWN TRACTOR MODEL B3554-430

key#	part#	description	qty.
44	304761	PLATE, SEAT	1
45	020507	BOLT, .437X.156 HSSH 5/16-18	2
46	01498	NUT, 5/16-18 REGHEXCTRLK	2
47	56220	SPRING, 1.49X2.38X.162	2
48	1341	CLAMP, SPRING 1.17"ID	2
49	0995346	SCREW, 1/4-20X .50 WAHHTAP	2
50	302099	SPRING COVER SF SEAT SPG	2
51	3006	FENDER F-1	2
52	0995346	SCREW, 1/4-20X .50 WAHHTAP	4
53	0122017	SCREW, 5/16-18X1.00 HHC	2
54	0446363	WASHER, FLAT .375X .88X.082	4
55	43964	SUPPORT, GUIDE	1
56	01498	NUT, 5/16-18 REGHEXCTRLK	2
57	44500	BRACKET, DECK GUIDE	1
58	57569	RETAINER, .31IDX.62X.03 WIRE	1
59	0122017	SCREW, 5/16-18X1.00 HHC	2
60	01498	NUT, 5/16-18 REGHEXCTRLK	2
61	049930	SCREW, 3/8-16X7.25 HHC	1
62	01499	NUT, 3/8-16 REGHEXCTRLK	2
63	312959	BRACKET, SWITCH MOUNT	1
64	0995346	SCREW, 1/4-20X .50 WAHHTAP	1
65	50853	GUIDE, BELT	1
66	041529	NUT, 3/8-16 HEXCTRLKJAM GRD	1
67	0271180	NUT, 3/8-16 HEXKEPS	1

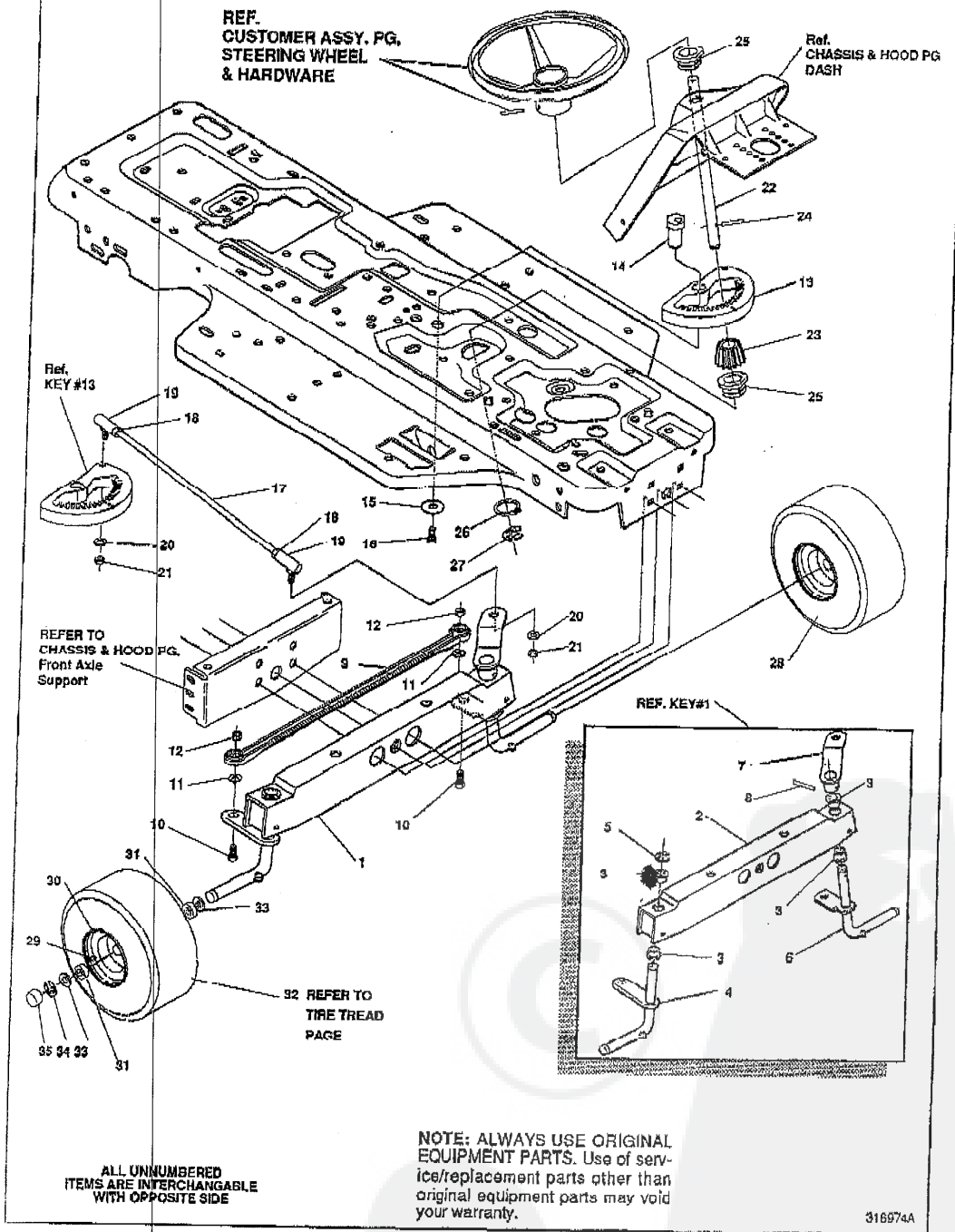
◊ Indicates STANDARD HARDWARE ITEMS.

Part No. 317603

PAGE 04/21

36" LAWN TRACTOR MODEL B3554-430

STEERING ASSEMBLY



8

Part No. 317603

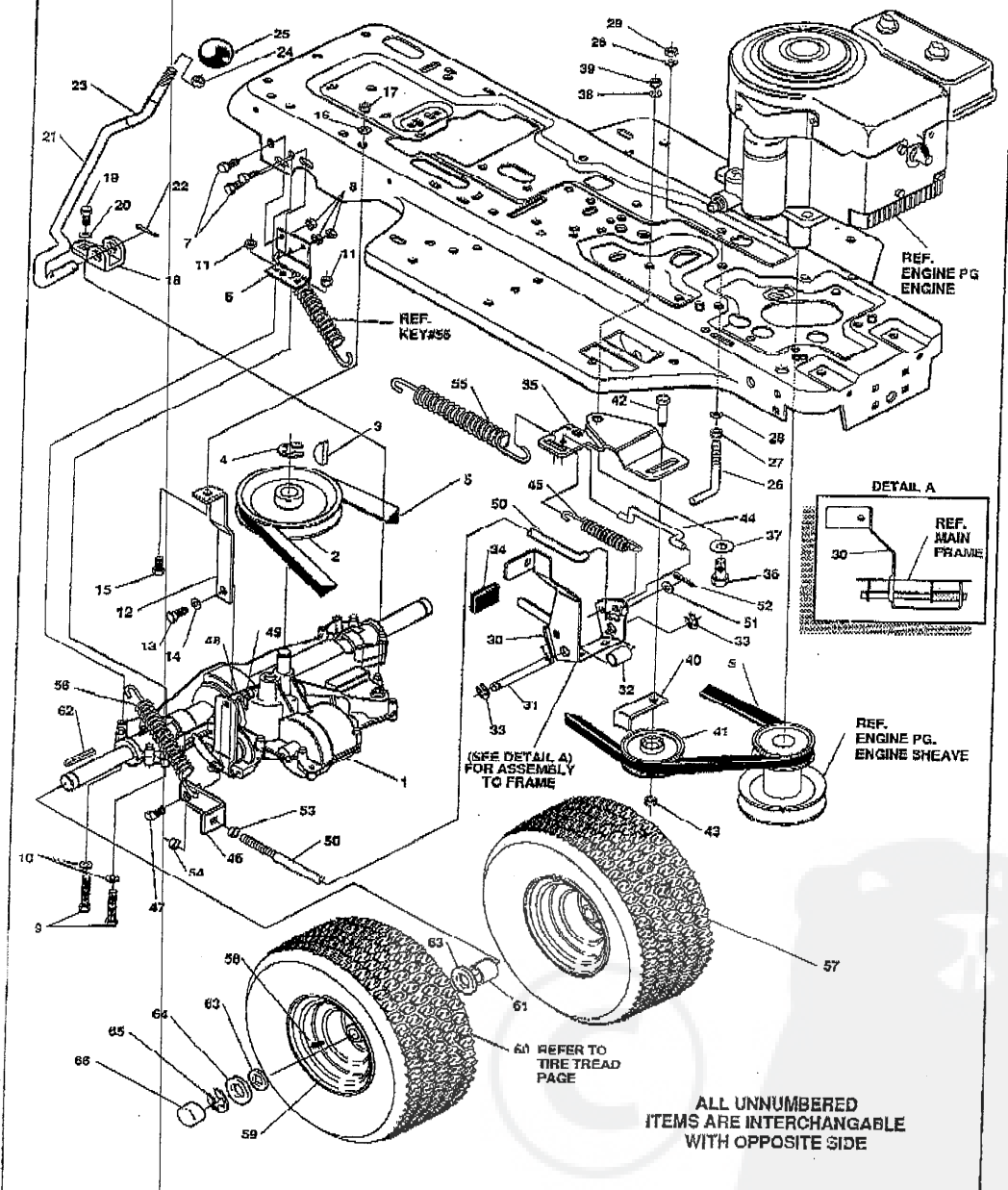
36" LAWN TRACTOR MODEL B3554-430

key#	part#	description	qty.
1	*	FRONT AXLE ASSEMBLY SF	1
2	58400	AXLE, FRONT	1
3	50546	BEARING, FLANGE	1
4	310368	SPINDLE, RH	4
5	36625	RING, RETEX	1
6	310367	SPINDLE, LH	1
7	49447	ARM, STEERING LH	1
8	454565	PIN, SPRING	1
9	302891	TIE ROD	1
10	◇ 122145	SCREW, 3/8-16X1.25 HHC	1
11	◇ 120382	WASHER, .393X.68X.10 REGSPTLK	2
12	◇ 1499	NUT, 3/8-16 REGHCTRLK	2
13	304245	SECTOR, GEAR	2
14	44011	BOLT, .750X1.40 SPSH	1
15	2483	WASHER, .391DX1.25ODX.07	1
16	39573	SCREW, 3/8-24X1.00 NYL	1
17	66190	DRAG LINK	1
18	◇ 124925	NUT, 3/8-24 REGHEXJAM	1
19	21275	BALL JOINT	2
20	◇ 120382	WASHER, REGSPTLK	2
21	◇ 120369	NUT, 3/8-24 REGHEX	2
22	44008	STEERING SHAFT	2
23	44009	PINION, STEERING SHAFT	1
24	454565	PIN, SPRING	1
25	54902	BEARING, 1.370X.50 FLANGE STEERING	1
26	39492	RING, RETEX 1.27X.05	2
27	36625	RING, RETEX .57X.05	1
28	*	ASSEMBLY, TIRE & RIM	1
29	24167	VALVE STEM	2
30	317464	WHEEL, W/BEARING	1
31	39979	BEARING, 1.380DX.75SID FLANGE	1
32		REFER TO TIRE TREAD PAGE	2
33	642	WASHER, FLAT .755X1.31X.075	
34	36625	RING, RETEX .57X.05	4
35	40394	HUB CAP	2

* Order Individual Parts.
 ◇ Indicates STANDARD HARDWARE ITEMS.

36" LAWN TRACTOR MODEL B3554-430

MOTION DRIVE ASSEMBLY



NOTE: ALWAYS USE ORIGINAL EQUIPMENT PARTS.
 Use of service/replacement parts other than original equipment parts may void your warranty.

316971A

10

Part No. 317603

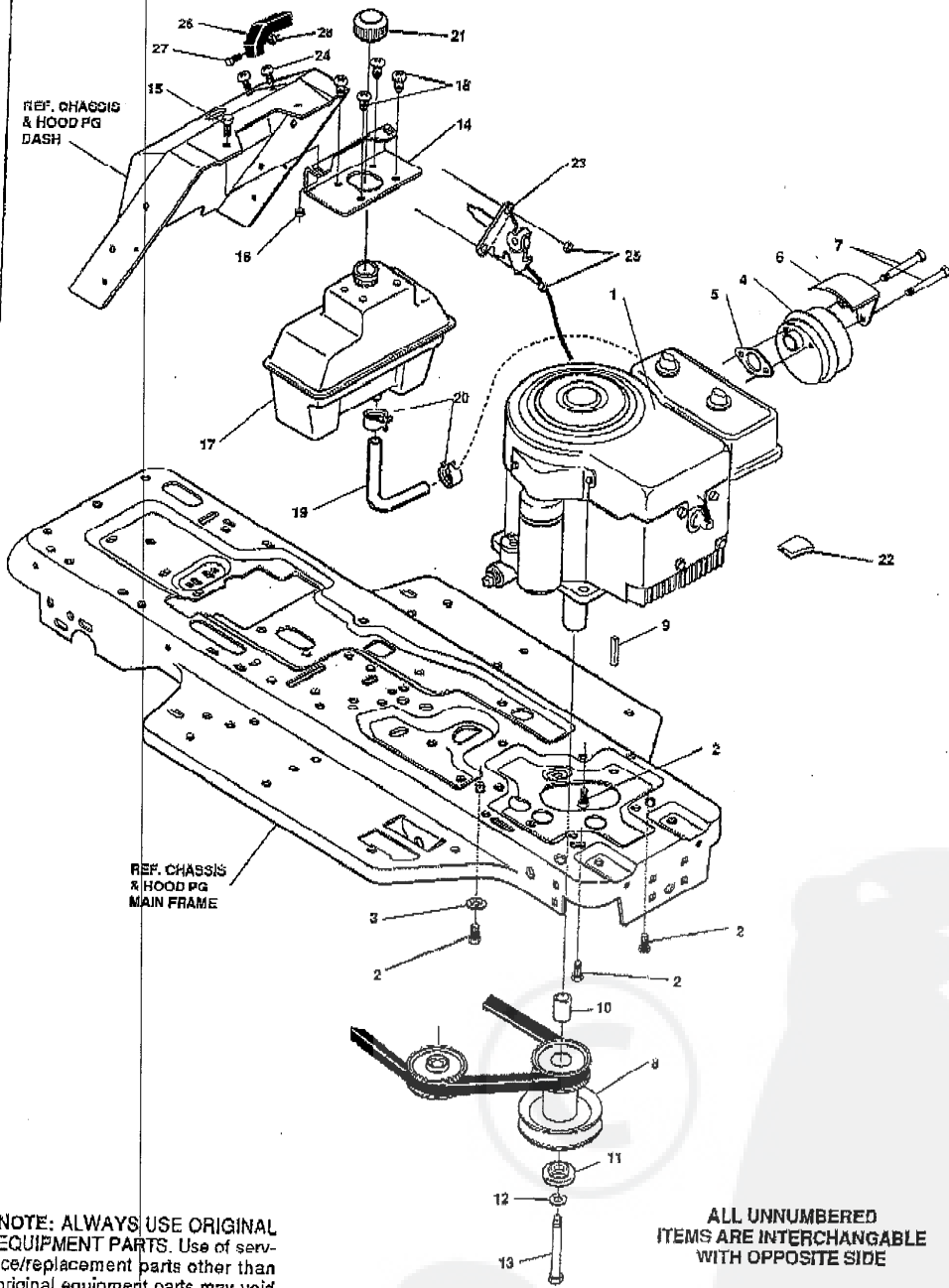
36" LAWN TRACTOR MODEL B3554-430

key#	part#	description	qty.
1	TRANSAXLE	FOOTE 4350-3 (CONTACT NEAREST DEALER)	1
2	302745	PULLEY, V 4L 6.60 OD	1
3	3021	KEY, WDRF 608.750X.187X.312	1
4	27053	RING, RETEX .56X.04TRU5100-62	1
5	54758	BELT, V 4L 82.00 SF DRIVE	1
6	7707	BRACKET, TRANSAXLE	2
7	0120228	SCREW, 5/16-18X .63 HHQ	6
8	01498	NUT, 5/16-18 REGHEXCTRLK	6
9	0180112	SCREW, 5/16-18X2.75 HHC	4
10	120393	WASHER, FLAT .344X .69X.065	4
11	01498	NUT, 5/16-18 REGHEXCTRLK	4
12	309770	BRKT,STABILIZER 920,4960	1
19	035498	SCREW, 5/16-18X .75 WAHHTAP	1
14	120638	WASHER, HVSPTLK .328X.60X.09	1
15	0122017	SCREW, 5/16-18X1.00 HHC	1
16	138485	WASHER, EXLK .320X.61X.03	1
17	01498	NUT, 5/16-18 REGHEXCTRLK	1
18	57480	BRKT,SHIFT P920-S/F4380-589	1
19	056255	SCREW, 1/4-28X .75 NYLHHC	1
20	57157	WASHER, .750X.250	1
21	302283	SHIFT LEVER	1
22	137185	PIN, COTTER .125 DIA X 1.00 LG	1
23	302445	TUBE, CLEAR PLASTIC	1
24	0120238	NUT, 1/2-13 HEXJAM	1
25	304498	KNOB, SHIFT NOMA 1/2-13	1
26	49896	BELT GUIDE	1
27	0271184	NUT, 5/16-18 HEXKEPS	1
28	120393	WASHER, FLAT .344X .69X.0652	2
29	01498	NUT, 5/16-18 REGHEXCTRLK	1
30	302603	ASSY, BRAKE PEDAL	1
31	302800	ROD, PIVOT	1
32	302601	SPACER, .53ID X .62DX 1.406	1
33	20864	RING, RET E .39X.04TRU5133-50	2
34	48761	PAD, CLUTCH/BRAKE PEDAL	1
35	1306	IDLER ARM BRKT TRACTION	1
36	41090	BOLT, .625X .218 HHSH 5/16-18	1
37	4107	WASHER, FLAT .635X1.31X.07	1
38	45602	WASHER, FLAT .393X .87X.119	1
39	01498	NUT, 5/16-18 REGHEXCTRLK	1
40	39659	RETAINER, STRAP BELT	1
41	35374	PULLEY, IDLER	1
42	45892	BOLT, 3/8 16X1.50 CARR	1
43	01499	NUT, 3/8-16 REGHXCTRLK	1
44	43980	ROD, .268 DIA CLUTCH	1
45	50562	SPRING, 3/4 ODX 1.625X.055	1
46	54723	BRACKET, BRAKE ROD	1
47	20507	BOLT, .487X .156 HHSH 5/16-18	1
48	120393	WASHER, FLAT .344X .69X.065	1
49	01498	NUT, 5/16-18 REGHEXCTRLK	1
50	310189	BRAKE ROD	1
51	120393	WASHER, FLAT .344X .69X.065	1
52	121222	PIN, COTTER .090/.086X.75LG	1
53	0271184	NUT, 5/16-18 HEXKEPS	1
54	01498	NUT, 5/16-18 REGHEXCTRLK	1
55	49276	SPRING, 3/4 ODX .75X.091	1
56	35410	SPRING .071 X .62 X 4.37	1
57	-	TIRE & RIM ASM, 16X6.50-8	2
58	24167	VALVE STEM	1
59	317460	WHEEL HUB	1
60	-	REFER TO TIRE TREAD PAGE	1
61	57479	SPACER, .75 X 1.25 X 1.32	2
62	39628	KEY, SQUARE .1875OX2.50L	2
63	642	WASHER, FLAT .755X1.31X.075	4
64	42815	WASHER, FLAT .755X1.69X.07	2
65	36625	RING, RETEX .57X.05TRU5133-75	2
66	40394	CAP, 1.500ID X 7/8LG HUB	2

* Order Individual Parts.
 0 Indicates STANDARD HARDWARE ITEMS.

36" LAWN TRACTOR MODEL B3554-430

ENGINE & CONTROL ASSEMBLY



316965A

12

Part No. 317603

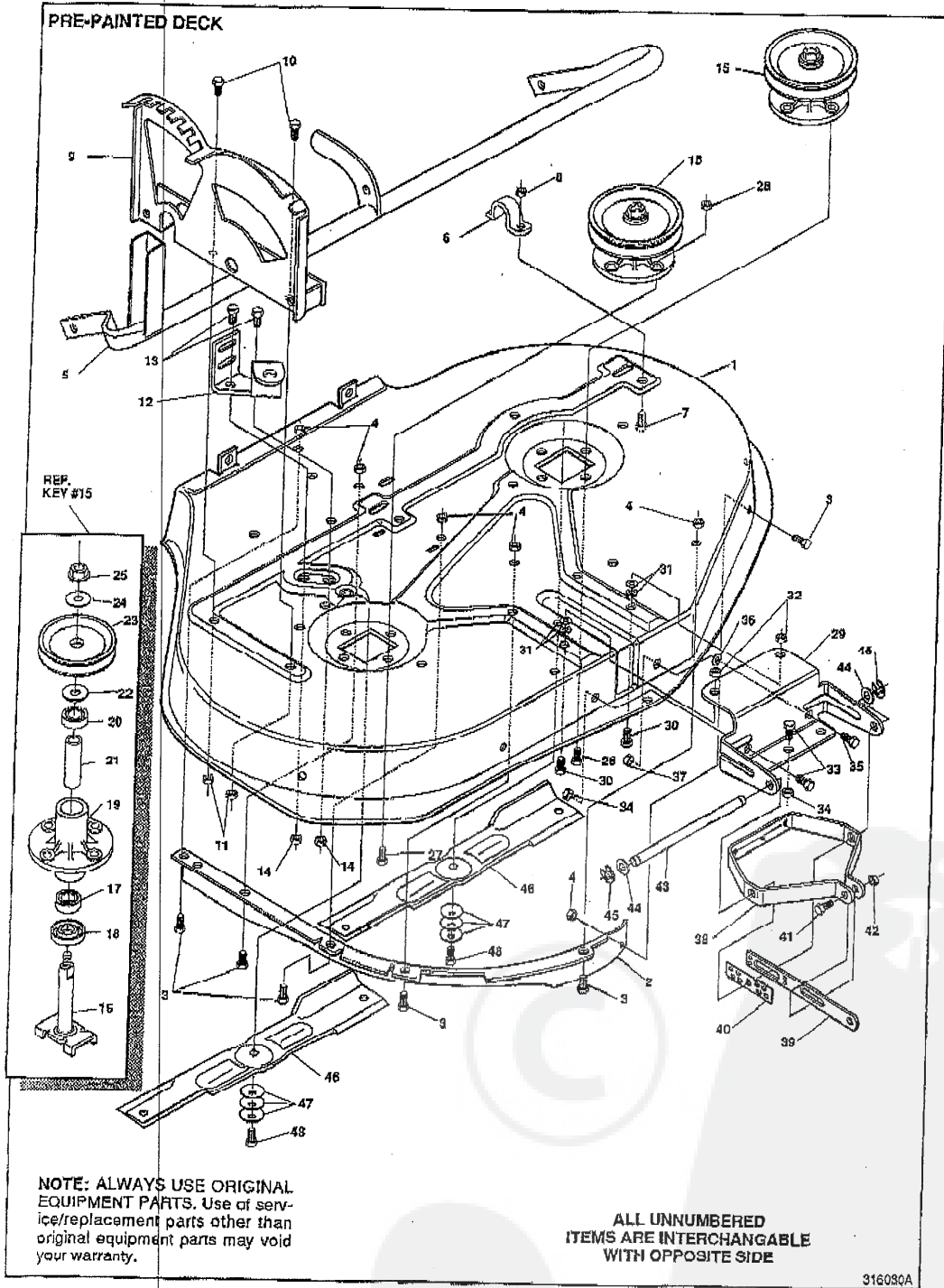
36" LAWN TRACTOR MODEL B3554-430

key#	part#	description	qty.
1	ENGINE	10BS VER ELEC (SEE ENGINE MANUAL)	1
2	050047	SCREW, 3/8-16X1.25 WAHHTAP	4
3	138489	WASHER, EXLK .384X.69X.04	1
4	305367	MUFFLER-LO TONE NELSON	1
5	46708	GASKET, MUFFLER	1
6	54767	SHIELD, HEAT	1
7	0173063	SCREW, 5/16-18X3.50 HHC	2
8	315317	PULLEY, ENGINE, 4.00 OFFSET	1
9	303151	KEY, SQUARE .249SQX4.50LG	1
10	304246	SPACER, 1.01X1.484	1
11	56431	WASHER, 980DX1.380DX.497PILOT	1
12	120383	WASHER, REGSPTLK.459X.78X.12	1
13	0493146	SCREW, 7/16-20X4.25	1
14	9774	BRACKET, GAS TANK	1
15	955686	SCREW, 1/4-20X.63 SLTRMA	2
16	051335	NUT, 1/4-20 WDFLLK	2
17	314999	TANK, FUEL 1 GAL	1
18	049050	SCREW, 1/4-10X.75PHPNTAPGR	4
19	47452	GAS LINE .25ID	14.5"
20	48672	CLAMP, FUEL LINE	2
21	46704	GAS CAP 1-1/2-7 THD	1
22	302967	ENGINE SPEED REDUCER	1
23	303159	THROTTLE, CONTROL	1
24	0159948	SCREW, 10-24X.63PHPNMA	2
25	0271166	NUT, #10-24 HEXKEPS	2
26	300508	KNOB, THROTTLE CONTROL	1
27	0159585	SCREW, #8-32X.38 PHPNMA	1
28	0120622	NUT, #8-32 REGHX	1

0 Indicates STANDARD HARDWARE ITEMS.

36" LAWN TRACTOR MODEL B3554-430

PRE-PAINTED DECK



NOTE: ALWAYS USE ORIGINAL EQUIPMENT PARTS. Use of service/replacement parts other than original equipment parts may void your warranty.

ALL UNNUMBERED ITEMS ARE INTERCHANGABLE WITH OPPOSITE SIDE

316030A

36" LAWN TRACTOR MODEL B3554-430

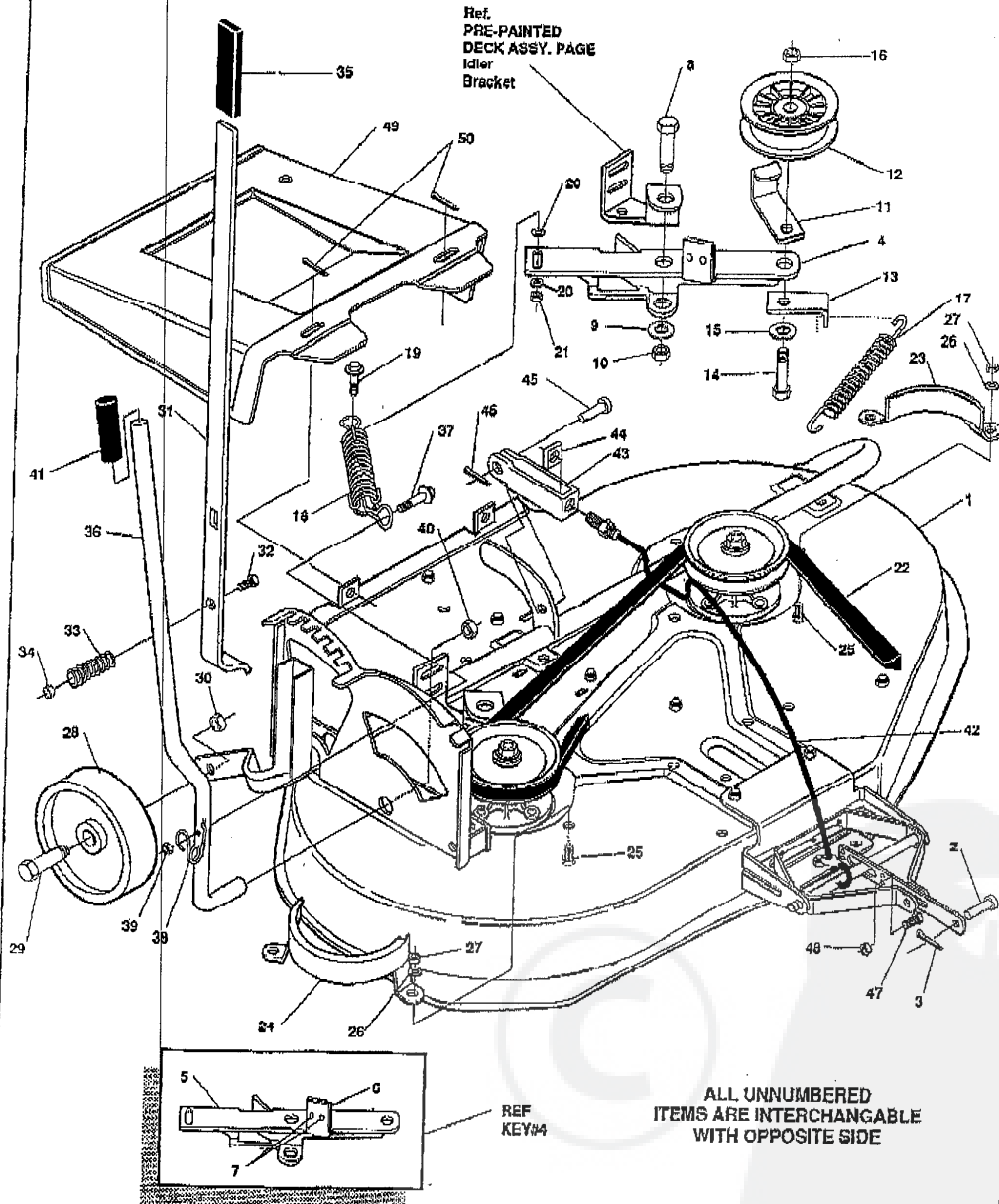
key#	part#	description	qty.
1	55688	DECK, 36WH RD MOWER	1
2	55655	BAFFLE, 36RD 1 H DECK	1
3	0120228	SCREW, 5/16-18X .63 HHC	6
4	01498	NUT, 5/16-18 REGHEXCTRLK	6
5	52613	ASSY TORQUE TUBE	1
6	51985	SUPPORT, PIVOT TUBE	1
7	0120834	SCREW, 5/16-18X .50 HHC	1
8	01498	NUT, 5/16-18 REGHEXCTRLK	1
9	53247	QUADRANT	1
10	0120834	SCREW, 5/16-18X .50 HHC	2
11	01498	NUT, 5/16-18 REGHEXCTRLK	2
12	57614	BRACKET, IDLER	1
13	0120228	SCREW, 5/16-18X .63 HHC	2
14	01498	NUT, 5/16-18 REGHEXCTRLK	2
15	56424	QUILL ASSY, 3639/40/43	2
16	56425	SHAFT/SADDLE 36"	1
17	49562	BRNG, BALL	1
18	50616	DUST SHIELD	1
19	55547	QUILL CASTING	1
20	49562	BRNG, BALL	1
21	50818	SPACER, 3 797LGX.669IDX.88	1
22	51449	SPACER, 439LGX.992ODX.672	1
23	56390	PULLEY, 26/36" QUILL	1
24	56365	SPECIAL WASHER	1
25	01282	NUT, 7/16-20 WDFLLK	1
26	050634	SCREW, 5/16-18X .88 WAHHTAP	7
27	0300345	SCREW, 5/16-18X1.38 WATAP	1
28	01498	NUT, 5/16-18 REGHEXCTRLK	1
29	48676	LIFT PLATE	1
30	0122007	SCREW, 5/16-18X .75 HHC	2
31	996416	WASHER, FLA 1 .391X1.00X.125	4
32	01498	NUT, 5/16-18 REGHEXCTRLK	2
33	0120228	SCREW, 5/16-18X .63 HHC	2
34	01498	NUT, 5/16-18 REGHEXCTRLK	2
35	0122017	SCREW, 5/16-18X1.00 HHC	1
36	996416	WASHER, FLAT .391X1.00X.126	1
37	01498	NUT, 5/16-18 REGHEXCTRLK	1
38	50613	BRACKET, PIVOT	1
39	49059	BAR, HITCH	1
40	49058	BRACKET, LOCK	1
41	0120918	SCREW, 3/8-16X1.50 HHC	1
42	01499	NUT, 3/8-16 REGHXCTRLK	1
43	55724	PIN, PIVOT ROD .50DX7.58	1
44	996425	WASHER, FLAT .515X .88X.064	2
45	20864	RING, RET E .39X.04TRUS193-50	2
46	56821	BLADE, 36" STD-LIFT 18	2
47	2483	WASHER, 39IDX1.25DX.07 BELLVIL	6
48	039573	SCREW, 3/8-24X1.00 NYLHHC	2

◊ Indicates STANDARD HARDWARE ITEMS.

36" LAWN TRACTOR MODEL B3554-430

FINAL DECK ASSEMBLY

SEE DWG #316030 FOR PARTS ASSY OF PAINTED DECK



NOTE: ALWAYS USE ORIGINAL EQUIPMENT PARTS. Use of service/replacement parts other than original equipment parts may void your warranty.

316031B

16

Part No. 317503

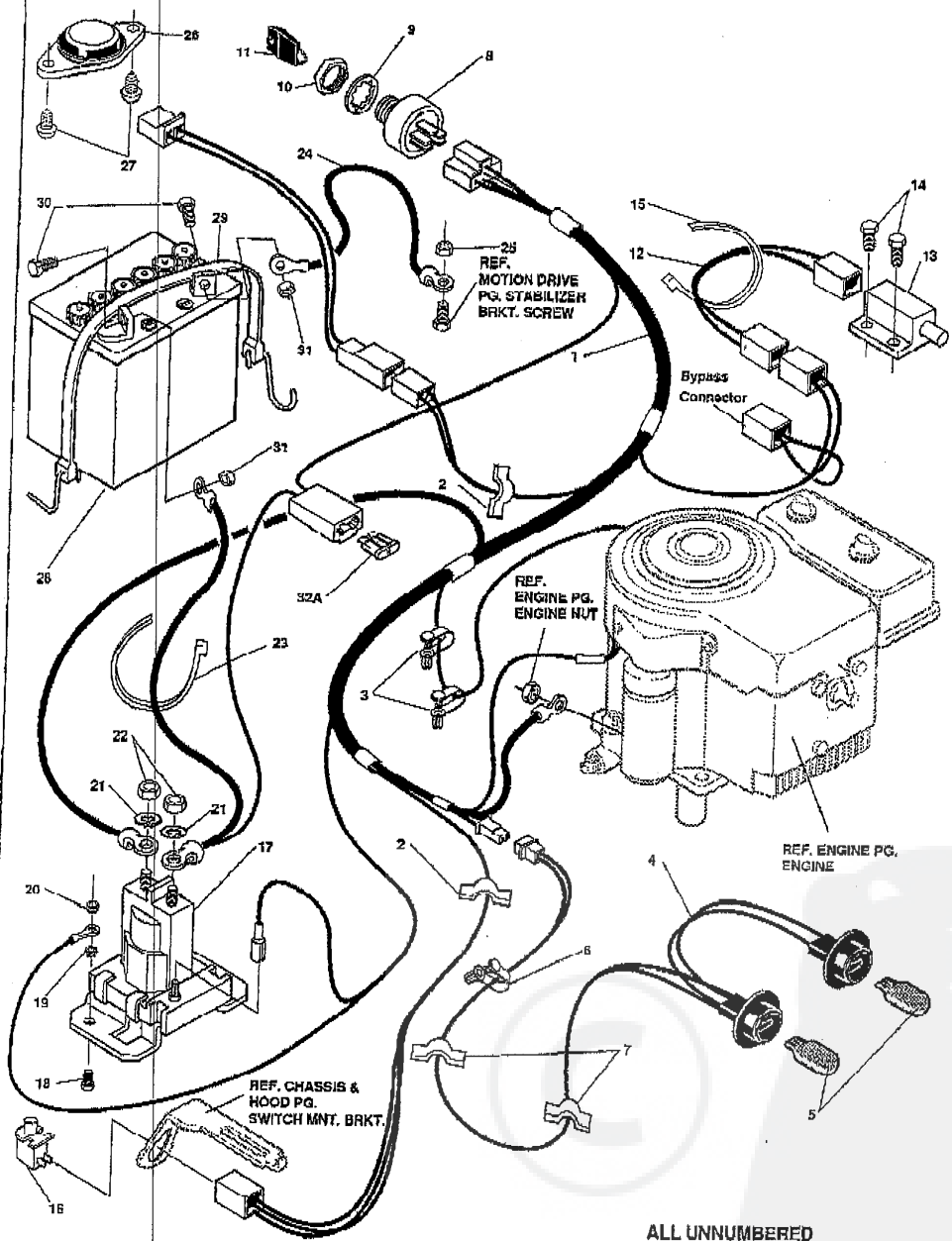
36" LAWN TRACTOR MODEL B3554-430

key#	part#	description	qty.
1	316246	PAINTED DFCK NOTE: SEE DWG #316030 FOR PARTS ASSEMBLY	
2	47816	PIN, .495X1.750 CLEVIS-SHORT	1
3	58180	PIN, HAIR .091 DIA X1.62LG	1
4	311427	IDLER, ASSY PIVOT ARM	1
5	311426	PIVOT ARM IDLER BLK	1
6	306973	BRAKE PAD - HARD - 232AF	1
7	41601	RIVET, OVSET .187DIA X .50LG	2
8	47516	BOLT, .500X1.950 HSSH 3/8-16	1
9	◇ 996416	WASHER, FLAT .391X1.00X.125	1
10	◇ 1499	NUT, 3/8-16 REGHXCTRLK	1
11	7354	RETAINER BELT	1
12	303028	PULLEY, IDLER BFF 3.13 DIA	1
13	306593	BRACKET, L-SHAPED	1
14	◇ 122168	SCREW, 3/8-16X1.75 HHC	1
15	◇ 446363	WASHER, FLAT .375X .88X.082	1
16	◇ 1499	NUT, 3/8-16 REGHXCTRLK	1
17	35410	SPRING .071 X .62 X 4.37	1
18	52636	SPRING	1
19	46563	BOLT, .375X .250 SHWA 1/4-20	1
20	◇ 120392	WASHER, FLAT .261X .63X.065	2
21	◇ 1502	NUT, 1/4-20 REGHXCTRLK	1
22	308701	BELT, V SL 80.00 DECK 36RD EXP	1
23	307549	COVER, QULL L.H	1
24	307549	COVER, QULL RH	1
25	◇ 120228	SCREW, 5/16-18X1.00 HHC	4
26	◇ 120393	WASHER, FLAT .344X .69X.065	4
27	◇ 1498	NUT, 5/16-18 REGHXCTRLK	4
28	52584	WHEEL, SD 6.000D X1.38WD	2
29	28765	BOLT, .500X1.390 HSSH 3/8-16	2
30	◇ 1499	NUT, 3/8-16 REGHXCTRLK	2
31	307050	LEVER HEIGHT ADJ	1
32	◇ 120696	SCREW, 5/16-18X2.25 HHC	1
33	53246	SPRING	1
34	◇ 1498	NUT, 5/16-18 REGHXCTRLK	1
35	20250	GRIP, HAND .75X4.87	1
36	305383	LEVER, BLADE ENGAGE 32RD & 36RD	1
37	1229	BOLT, .375X .250 SHWA 1/4-20	1
38	46561	SPRING, TORSION 36RD, 32RD	1
39	◇ 1502	NUT, 1/4-20 REGHXCTRLK	1
40	53697	NUT, 1/2 PUSHON	1
41	46478	GRIP, HAND .50ID 9.97LG BLK	1
42	300341	CABLE, LIFT 21.70 F-5 20X8-8	1
43	9405	CLEVIS, LIFT CABLE	1
44	◇ 120372	NUT, 1/4-20 REGSQ	1
45	39522	PIN CLEVIS .312 X .312	1
46	58180	PIN, HAIR .091 DIA X1.62LG	1
47	◇ 120228	SCREW, 5/16-18X .63 HHC	1
48	◇ 1498	NUT, 5/16-18 REGHXCTRLK	1
49	50993	CHUTE EXTENSION PLASTIC 36"RD	1
50	120123	PIN, COTTER .125 DIA X1.25LG	2

◇ Indicates STANDARD HARDWARE ITEMS.

36" LAWN TRACTOR MODEL B3554-430

ELECTRICAL ASSEMBLY



NOTE: ALWAYS USE ORIGINAL EQUIPMENT PARTS.
Use of service/replacement parts other than original equipment parts may void your warranty.

**ALL UNNUMBERED
ITEMS ARE INTERCHANGABLE
WITH OPPOSITE SIDE**

318830E

36" LAWN TRACTOR MODEL B3554-430

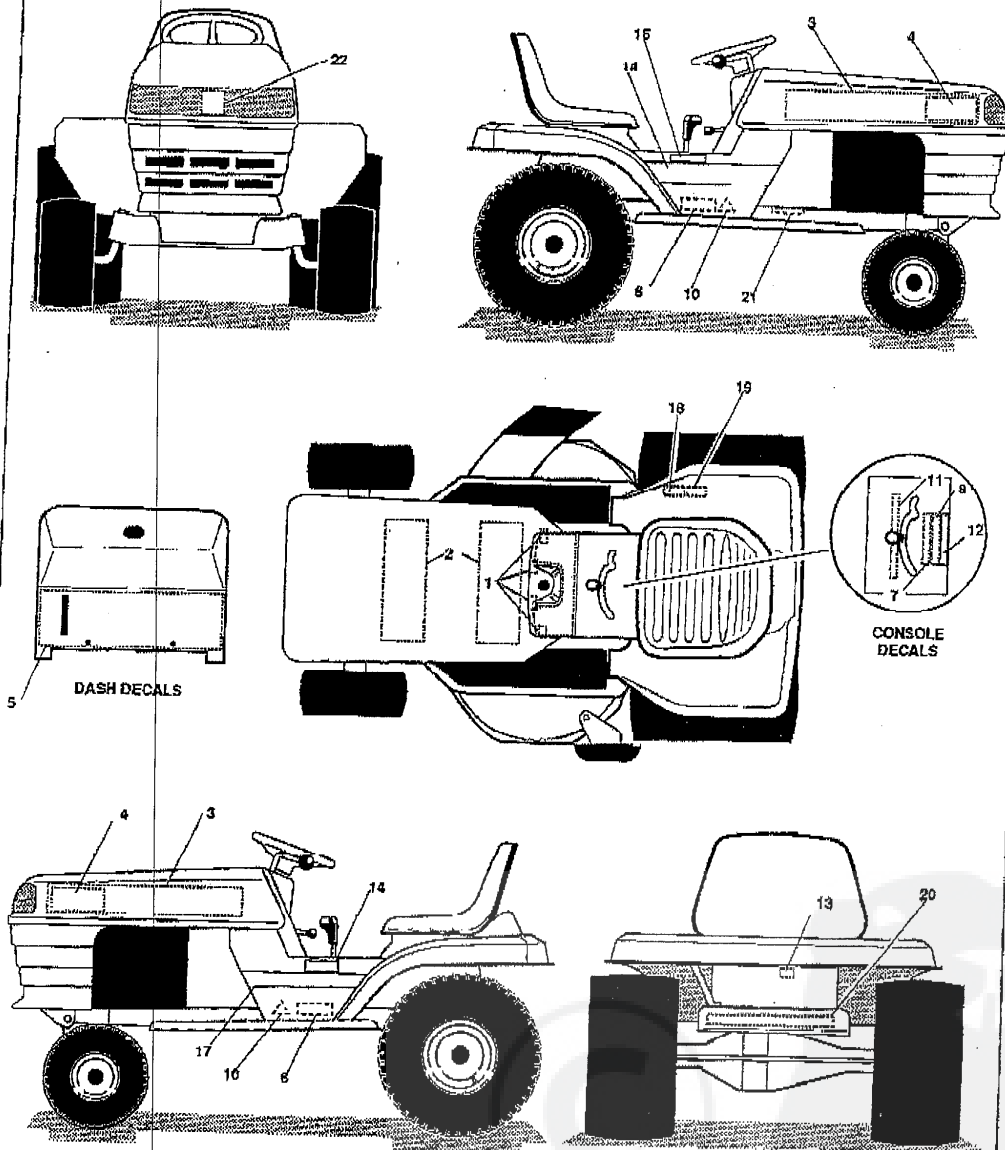
key#	part#	description	qty.
1	57642	WIRE HARNESS SF W/O AMMETER	1
2	41482	CLIP, 1.380LG .255ID PRESS WIRE	2
3	54888	RETAINER, .250DIA X 1.685 WIRE	2
4	303064	ASSY, LIGHT WIRE-1/4 TURN	1
5	52572	BULB, HEADLAMP	2
6	54888	RETAINER, .250DIA X 1.685 WIRE	1
7	41482	CLIP, 1.380LG .255ID PRESS WIRE	2
8	300687	SWITCH, IGNITION & LIGHTS	1
9	◊ 138557	WASHER, REGINTLK.640X1.1X.05	1
10	◊ 48140	NUT, 5/8-32 HXHD IGN SWIT	1
11	300626	KEY, IGNITION SWITCH	1
12	57588	HARNESS, DFCO WIRE SHORT 4 WIRE	1
13	57476	SWITCH, SCR MNT DP NC NO BLK	1
14	◊ 57220	SCREW, #12 X .50 PHPNHTAP BLK	2
15	57444	TIE, CABLE BLACK NYLON 5.62	1
16	300220	SWITCH, SNAPMNT NO .055/.116	1
17	53716	SOLENOID, NEW CLUM	1
18	187745	SCREW, 1/4-20X .75 HXSEMMA	2
19	◊ 1502	NUT, 1/4-20 REGHEXCTRLK	2
20	◊ 271172	NUT, 1/4-20 REGHEXKEPS	1
21	◊ 138485	WASHER, EXLK .320X.61X.03	2
22	◊ 120060	NUT, 5/16-24 REGHEX	2
23	57444	TIE, CABLE BLACK NYLON 5.62	1
24	55511	WIRE, GROUND, 12.5"	1
25	◊ 271184	NUT, 5/16-18 HEXKEPS	1
26	57547	SWITCH, SEAT	1
27	◊ 160505	SCREW, 1/4-20X .38PHPNHMA	2
28	302257	BATTERY 12V 7 PLATE	1
29	309862	STRAP, RUBBER, S-HOOKS 9-13 LONG	1
30	◊ 120854	SCREW, 1/4-20X .63 HHC	2
31	◊ 271172	NUT, 1/4-20 REGHEXKEPS	2
33A	**302031	FUSE, 15 AMP SPADE TYPE	1
32B	**49211	FUSE, 15 AMP CYLINDRICAL TYPE	1

◊ Indicates STANDARD HARDWARE ITEMS.

**Cylindrical or Spade type fuses are included with the wire harness.

36" LAWN TRACTOR MODEL B3554-430

DECALS



NOTE: ALWAYS USE ORIGINAL EQUIPMENT PARTS.
Use of service/replacement parts other than original equipment parts may void your warranty.

**ALL UNNUMBERED
ITEMS ARE INTERCHANGABLE
WITH OPPOSITE SIDE**

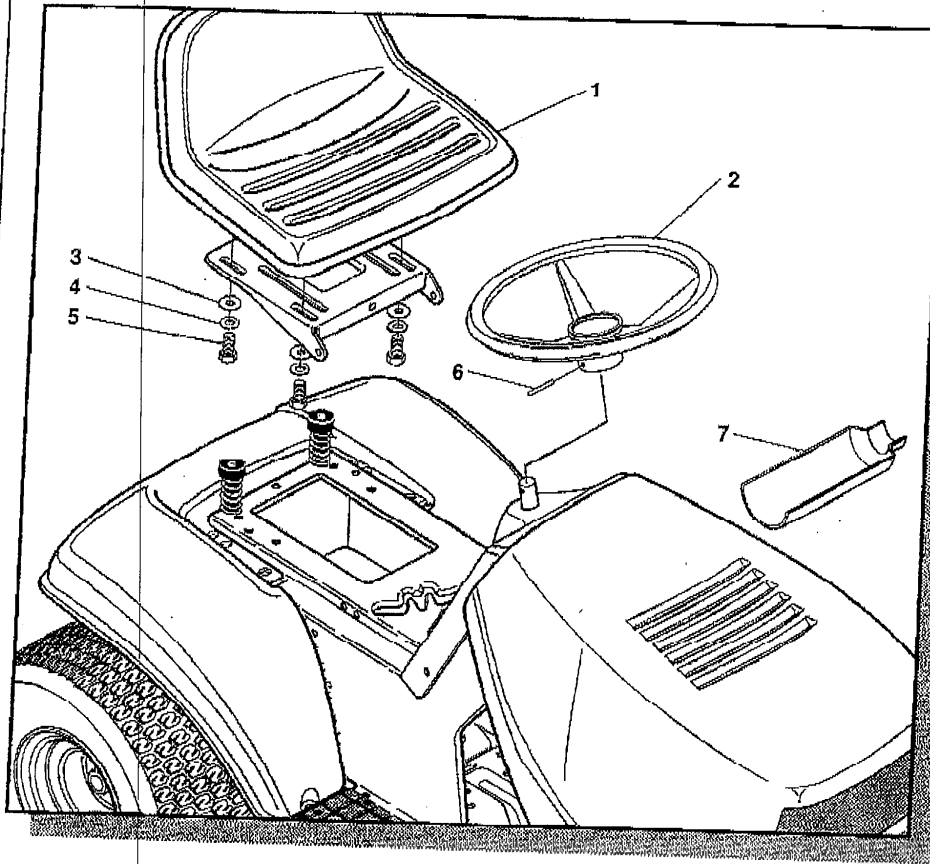
316977A

36" LAWN TRACTOR MODEL B3554-430

KEY#	PART#	DESCRIPTION	QTY.
1	30250Z	PAD,ADHESIVE 1.00	
2	305602	FOAM HOOD 4X15	4
3	305603	PAD, 18 X 6 FOAM HOOD	2
4	011198	NAMEPLATE AL-KO SATIN SILVER	2
5	305820	DECAL,DASH,LWR 1003E	2
6	88902	DECAL,WARNING,FRENCH/GERMAN	1
7	89524	DECAL,INSTRUCT CONSOLE TOP GER	2
8	89525	DECAL,INSTRUCT CONSOLE TOP FR	1
9		REFERENCE ONLY	1
10	305770	DECAL,CAUTION TRIANGLE EUROPE	1
11	307047	DECAL,3-SPEED CONSOLE TOP	2
12	307383	DECAL,INSTR. CONSOLE TOP ENGL	1
13	310436	DECAL,FRENCH SAFETY CERT.	1
14	310553	DECAL,DANGER ENGLISH	1
15		REFERENCE ONLY	2
16	317065	DECAL, CONSOLE T10/02RD RH	1
17	317264	DECAL, CONSOLE T10/02RD LH	1
18	88900	DECAL,BLADE ENGAGE EUROPE	1
19	88901	DECAL,BLADE HEIGHT ADJ. EUROPE	1
20	88542	DECAL,CAUTION HAND-FOOT FR/GR	1
21	88903	DECAL,BRAKE/CLUTCH EUROPE	1
22	307792	DECAL,LENS CENTER SMOKED	1

36" LAWN TRACTOR MODEL B3554-430

CUSTOMER ASSEMBLY



CUSTOMER ASSEMBLY VIEW

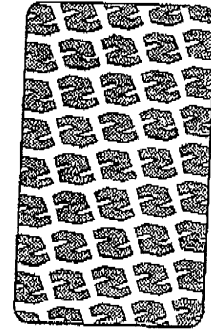
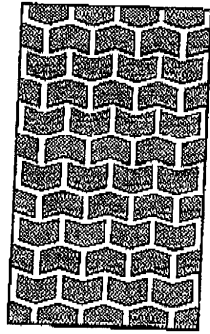
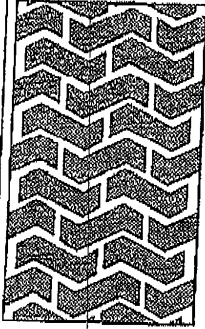
315984 PARTS BAG ASSY QTY1 (NON-SERVICABLE)

key#	part#	decription	qty
1	5/454	SEAT MV450	1
2	301251	STEERING WHEEL	1
3	120393	WASHER, FLAT .344X.69X.065	1
4	120638	WASHER, HV SPLTLK .328X.60X.090	4
5	122007	SCREW, 5/16-18X.75 HHC	4
6	456378	ROLL PIN .250DIA X 2.0LG	4
7	54873	OIL TROUGH	1

316164

Part No. 317603

TREAD PATTERNS



TIRE SIZE	"A"	"B"	"C"	"D"
11 X 4.00 - 5	42295			
13 X 5.00 - 6	41060			
15 X 6.00 - 6	301140	316702	39830	313952
16 X 6.50 - 8		41081		314539
18 X 6.50 - 8				
18 X 9.50 - 8		316701		313950
20 X 8.00 - 8	314584			
20 X 10.00 - 8	58276			
20 X 10.00 - 10		65893		313565
23 X 9.50 - 12	314370			
23 X 9.50 - 12		53655		

ACCESSORIES

Contact the dealer where your tractor was purchased for the available accessories. If you are unable to contact the dealer, write to the address on the front cover of this manual.

Rear Engine Rider

Model	Description
5708-18	Bagger - Fits 32" Side Discharge
5708-17	Bagger - Fits 36" Side Discharge
5709-02	Front Weight Box - holds 35 lbs.
5648-16	Lawn Sweeper w/dump Release

Lawn Tractor

Model	Description
5708-22	Bagger - Fits 30" Side Discharge
5708-13	Bagger - Fits 36", 38", 39" & 45" Side Discharge
5705-04	36" Two-Stage Snowblower - Fits 36", 38", 39", & 45" Side Discharge
5661-06	42" Snowblade - Fits 36", 38", 39", & 45"
5592-00	Tire Chains - 18" x 6.50"
6885-00	Tire Chains - 18" x 9.50" & 20" x 8"
5672-01	Wheel Weights - Front - 1 pr. w/mtg. hdw. - Fits 15" tires
5673-02	Wheel Weights - Rear - 1 pr. w/mtg. hdw. - Fits 18" & 20" tires
5709-03	Front Weights - Fits 30" & 32" Side Discharge
5648-16	Lawn Sweeper w/dump Release

Garden Tractor - Light Ground Engaging

Model	Description
5708-13	Bagger - Fits 36", 38", 39", & 45" Side Discharge
5705-04	36" Two-Stage Snowblower - Fits 36", 38", 39", & 45"
5661-06	42" Snowblade - Fits 36", 38", 39", & 45"
5672-01	Wheel Weights - Front 1 pr. w/mtg. hdw. - Fits 15" tires
5673-02	Wheel Weights - Rear - 1 pr. w/mtg. hdw. - Fits 18" & 20" tires
5648-16	Lawn Sweeper w/dump Release
5667-02	Sleeve Hitch - w/lift bar - Fits 45"
5668-01	Adaptor (sleeve hitch) for use w/23" tires
5708-00	Tire Chains - 20" x 10"
5671-00	Tire Chains - 23" x 9.50"
5672-02	Wheel Weights - Front - 1 pr. w/mtg. hdw. Fits 16" tires
5673-00	Wheel Weights - Rear - 1 pr. w/mtg. hdw. Fits 23" tires
5674-01*	10" One Bottom Moldboard Plow
5675-01*	Cultivator - 7 row - Adj. 6" - 42" width
5676-01*	Disc Harrow - 8" & 11" disc - Adj. width & disc angle
5677-02*	Tiller - 5 H.P. Self-Powered - 28" width

Four Wheel Steer

Model	Description
5708-14	Bagger - Fits 40" & 46" Side Discharge
5705-05	42" One-Stage Snowblower - Fits 40" & 46"
5661-07	48" Snowblade - Fits 40" & 46"
5709-04	Rear Weight Box for 40" & 46"
5648-16	Lawn Sweeper w/dump Release
5706-00	Tire Chains 20" x 10"
5671-00	Tire Chains 23" x 9.50"
5672-02	Wheel Weights - Front - 1 pr. w/mtg. hdw. Fits 16" tires
5673-00	Wheel Weights - Rear - 1 pr. w/mtg. hdw. Fits 23" tires
5672-01	Wheel Weights - Front - 1 pr. w/mtg. hdw. Fits 15" tires
5673-02	Wheel Weights - Rear - 1 pr. w/mtg. hdw. Fits 18" & 20" tires

Four Wheel Steer Garden Tractor

Model	Description
5667-04	Sleeve Hitch - w/lift bar Fits 46"
5674-01*	10" One Bottom Moldboard Plow
5675-01*	Cultivator - 7 row - Adj. 6" - 42" width
5676-01*	Disc Harrow 8" & 11" Disc - Adj. width & disc angle
5677-02*	Tiller 5 H.P. Self-Powered - 28" width
5648-16	Lawn Sweeper w/dump Release

*Requires a sleeve hitch