

# REPAIR PARTS MANUAL

## 32" - 8 H.P. LAWN TRACTOR

### MODEL B3554-620

#### ONE YEAR LIMITED WARRANTY

For one (1) year from date of purchase by the first consumer for residential use (thirty (30) days commercial use), NOMA Outdoor Products Incorporated warrants that it will replace free of charge, including labor, any original part of any NOMA Outdoor Products Incorporated product found to be defective by any authorized Service Dealer or the factory, except the battery which is warranted for ninety (90) days from date of purchase.

This warranty does not cover engine, transmission, transaxle or differential (these items are covered by their manufacturer's own warranty). This warranty does not cover parts that have failed due to normal wear or parts that have failed subject to misuse or abuse. Transportation of the unit or part to and from an authorized Service Dealer or factory is the responsibility of the owner.

A step by step explanation as to what procedure should be followed for this warranty is:

1. If a part becomes defective, contact the store where the unit was purchased for the name and address of the authorized Service Dealer nearest to you.
2. If you cannot locate an authorized Service Dealer, write Service Department of NOMA Outdoor Products Incorporated for the name and address of the authorized Service Dealer in your area or call the Service Department at 1-901-422-1690.
3. Return the defective product, along with proof of purchase to such authorized Service Dealer for replacement of any defective part where covered by this warranty.

There is no other express warranty. Implied warranties, including those of merchantability and fitness for a particular purpose are limited to one (1) year from date of purchase. Liability for incidental or consequential damages are excluded.

Some states do not allow limitations on how long an implied warranty lasts, so the above limitation may not apply to you. Some states do not allow the exclusion of incidental or consequential damages, so the above exclusion may not apply to you. This warranty gives you specific legal rights, and you may have other rights which vary from state to state.

**NOMA Outdoor Products Incorporated**

**Caller 8000**

**Jackson, TN 38308-8000**

#### UNIT PARTS AND SERVICE

This manual contains instructions for safety, assembly and maintenance. Read this manual carefully and completely so that you will know proper assembly, use and care of your unit. Also fill in and mail the registration card packed with the unit. For service other than covered in this manual, contact an authorized service dealer. A nationwide parts and service organization has been established to provide locally available parts and service. A list of authorized parts distributors has been included in this manual. When ordering repair parts, always give the following information: 1. The Part Name; 2. The Part Number; 3. The Quantity desired; 4. The Full (eight digit) Model Number of the unit. The model number will be found on a plate attached to the unit.

Look for this symbol.



**It means - ATTENTION! BECOME ALERT! A HAZARD TO OPERATOR, BYSTANDER, PROPERTY OR EQUIPMENT MAY EXIST.**

**NOMA Outdoor Products Incorporated**  
**Caller 8000**  
**Jackson, TN 38308-8000**

Part No. 318405

0591



## OPERATIONAL PRECAUTIONS



THESE INSTRUCTIONS ARE FOR YOUR PROTECTION. PLEASE READ THEM CAREFULLY.

1. Know the controls and how to stop quickly. **READ THIS OPERATOR'S MANUAL** and instructions furnished with attachments.
2. Wear safety glasses or eye shields when assembling or operating riding mower.
3. Do not allow children to operate the machine. Do not allow adults to operate it without proper instruction.
4. Do not carry passengers. Do not mow when children and others are around. Disengage power to blade(s) or attachment(s) and stop the engine while others are in the vicinity of the mower.
5. Battery fluid (electrolyte) is an **ACID** and is extremely dangerous. Do not smoke while servicing the battery. Do not service the battery near a open flame or spark.
6. Handle gasoline with care, it is highly flammable.
  - A. Use approved gasoline container.
  - B. Never remove the fuel cap of, or add gasoline to, a running or hot engine, or an engine that has not been allowed to cool for several minutes after running. Never fill the tank indoors and always clean up spilled fuel immediately.
  - C. Do not smoke while filling fuel tank.
  - D. Do not run the engine indoors. Open doors if engine must be run in garage. Exhaust fumes contain **CARBON MONOXIDE**, an **ODORLESS** and **DEADLY GAS**.
7. Check fuel supply before each use allowing space for expansion as the heat of the engine and/ or sun can cause gasoline to expand.
8. Do not operate mower when barefooted. Always wear substantial footwear, preferably steel-toed shoes. Do not wear loose fitting clothing that could get caught in moving parts.
9. Clear the work area of objects (wire, rocks, etc.) which might be picked up and thrown. Check all controls for proper function.
10. Disengage all attachment clutches, shift to neutral, and set parking brake before attempting to start the engine (motor). When starting engine equipped with a pull starter, stand firm and make sure your feet are well away from the blade(s).
11. Disengage power to blade(s) or other attachment(s) and stop the engine (motor) before leaving the operator's position. Always dismount from the left side.
12. Disengage power to blade(s) or other attachment(s) and stop the engine (motor) before making any repairs or adjustments.
13. Disengage power to blade(s) or other attachment(s) when transporting or not in use.
14. Take all possible precautions when leaving the vehicle unattended, such as disengaging power to blade(s) or attachment(s), lower the attachment(s), setting the parking brake, stopping the engine (motor), and removing the key.
15. Do not stop or start suddenly when going uphill or downhill. Mow up and down the face of steep slopes; never across the face.
16. Reduce speed and exercise extreme caution on slopes and in sharp turns to prevent tipping or loss of control. Be especially cautious when changing direction on slopes.
17. Stay alert for holes, rocks, and roots in the terrain and other hidden hazards. Keep away from drop-off. Never operate your riding mower on wet or slippery grass or at a speed which could cause a skid. Exercise care when mowing around a fixed object to prevent the blade(s) from striking it. Never deliberately run over any foreign object.
18. Always disengage blade control lever before attempting to remove the mower from a hole or other obstruction.
19. Use care when pulling loads or using heavy equipment.
  - A. Use only approved drawbar hitch points.
  - B. Limit loads to those that you can safely control.
  - C. Do not turn sharply. Use care when backing.
  - D. Use counterweight(s), wheel weights or tire chains when suggested in attachment(s) instructions.
20. Watch for traffic when crossing or near roadways.
21. When using attachment(s), never direct discharge of material toward bystanders nor allow anyone near the vehicle while in operation.
22. Keep the vehicle and attachments in good operating condition, and keep safety devices in place and in working condition.
23. Keep all nuts, bolts, and screws tight to be sure the equipment is in safe working condition.
24. Never store the equipment with gasoline in the tank inside a building where fumes may reach an open flame or spark. Allow the engine to cool before storing in any enclosure.
25. To reduce fire hazard, keep the engine free of grass, leaves or excessive grease.
26. The vehicle and attachments should be stopped and inspected for damage after striking a foreign object, and the damage should be repaired before restarting and operating the equipment.
27. Do not change the engine governor settings or over-speed engine.
28. When using the vehicle with mower, proceed as follows:
  - A. Mow only in daylight or in good artificial light.
  - B. Never make a cutting height adjustment while the engine (motor) is running if the operator must dismount to do so.
  - C. Shut the engine (motor) off when removing the grass catcher or unclogging chute.
  - D. Check the blade mounting bolts for proper tightness at frequent intervals.
29. Under normal usage, the grass catcher bag material is subject to deterioration and wear. Check the bag frequently for deterioration and wear and replace worn bags. Check that replacement bags comply with the original manufacturer's recommendations or specifications.
30. Disengage power to mower before backing up. Do not mow in reverse unless absolutely necessary and then only after careful observation of the entire area behind the mower.

## OWNER'S INFORMATION

Record the following information about your unit so that you will be able to provide it in case of loss or theft.

MODEL NUMBER:  -  (Enter complete 8 digit number from model plate on unit)  
PURCHASE DATE: \_\_\_ / \_\_\_ / \_\_\_ CODE NO.: \_\_\_\_\_ SERIAL NO.: \_\_\_\_\_  
DEALER'S NAME AND ADDRESS: \_\_\_\_\_  
CITY: \_\_\_\_\_ STATE: \_\_\_\_\_ TELEPHONE: \_\_\_\_\_

### CONTENTS OF SHIPPING CARTON

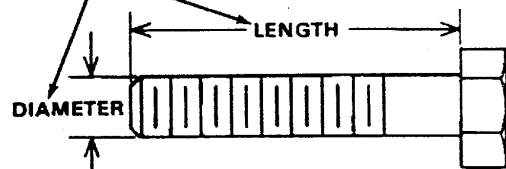
- 1 - Lawn Tractor with 32 inch Mower Deck
- 1 - Operator's Manual
- 1 - Repair Parts Manual
- 1 - Engine Manual
- 1 - Steering Wheel (see Note)
- 1 - Seat (see Note)
- 1 - Bag of Assembly Parts Containing (see Note):
  - 1 - Oil Drain Trough
  - 4 - 5/16 x 3/4 inch Hex Head Screws
  - 4 - 5/16 inch Split Lockwashers
  - 4 - 11/32 inch Flatwashers
  - 1 - Roll Pin

**NOTE:** Refer to page 22 (Customer Assembly Parts) for more detailed description.

### TOOLS REQUIRED FOR ASSEMBLY

- 2 - 7/16 inch Wrenches (or adjustable wrench)
- 1 - 1/2 inch Wrench (or adjustable wrench)
- 1 - Small Phillips Screwdriver with a 1/4 inch shank
- 1 - Hammer

### HOW TO MEASURE SCREW SIZE (5/16 x 1 1/2 INCH)



**DANGER**



This lawn tractor can be dangerous if carelessly used.

Read your Operator's Manual thoroughly before operating your lawn tractor.

Always wear safety glasses or eye shields while assembling or operating your lawn tractor.

DO NOT carry passengers at any time.

Keep your hands, feet, hair and loose clothing away from the discharge area, the underside of the mower deck or any moving parts while the engine is running.

DO NOT allow children or young teenagers to operate or be near your lawn tractor while it is operating.

ALWAYS GIVE THE FOLLOWING INFORMATION WHEN ORDERING REPAIR PARTS:  
1. The PART NUMBER; 2. The PART NAME; 3. QUANTITY DESIRED; 4. The MODEL NUMBER (As shown on Model Plate).  
SEND PART ORDERS AS PER INSTRUCTIONS ON THE FRONT PAGE.

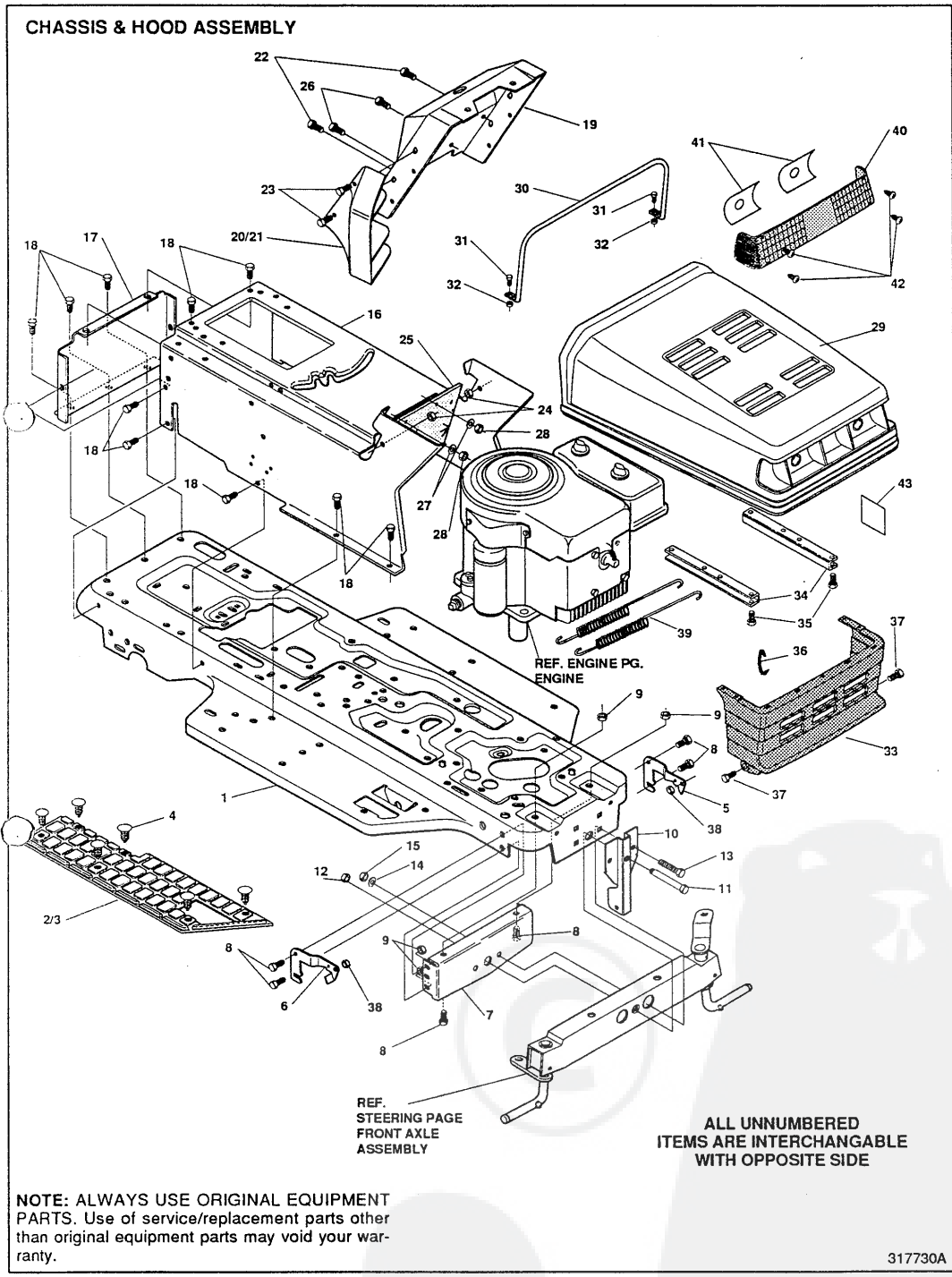
DO NOT USE KEY NUMBERS WHEN ORDERING REPAIR PARTS, ALWAYS USE PART NUMBERS.

All replacement parts will be supplied in current production colors or in a neutral color.

A handling fee is applicable to small parts orders.

YOUR UNIT IS RIGHT HAND (RH) OR LEFT HAND(LH) AS YOUR STAND BEHIND IT.

**32" LAWN TRACTOR MODEL B3554-620**



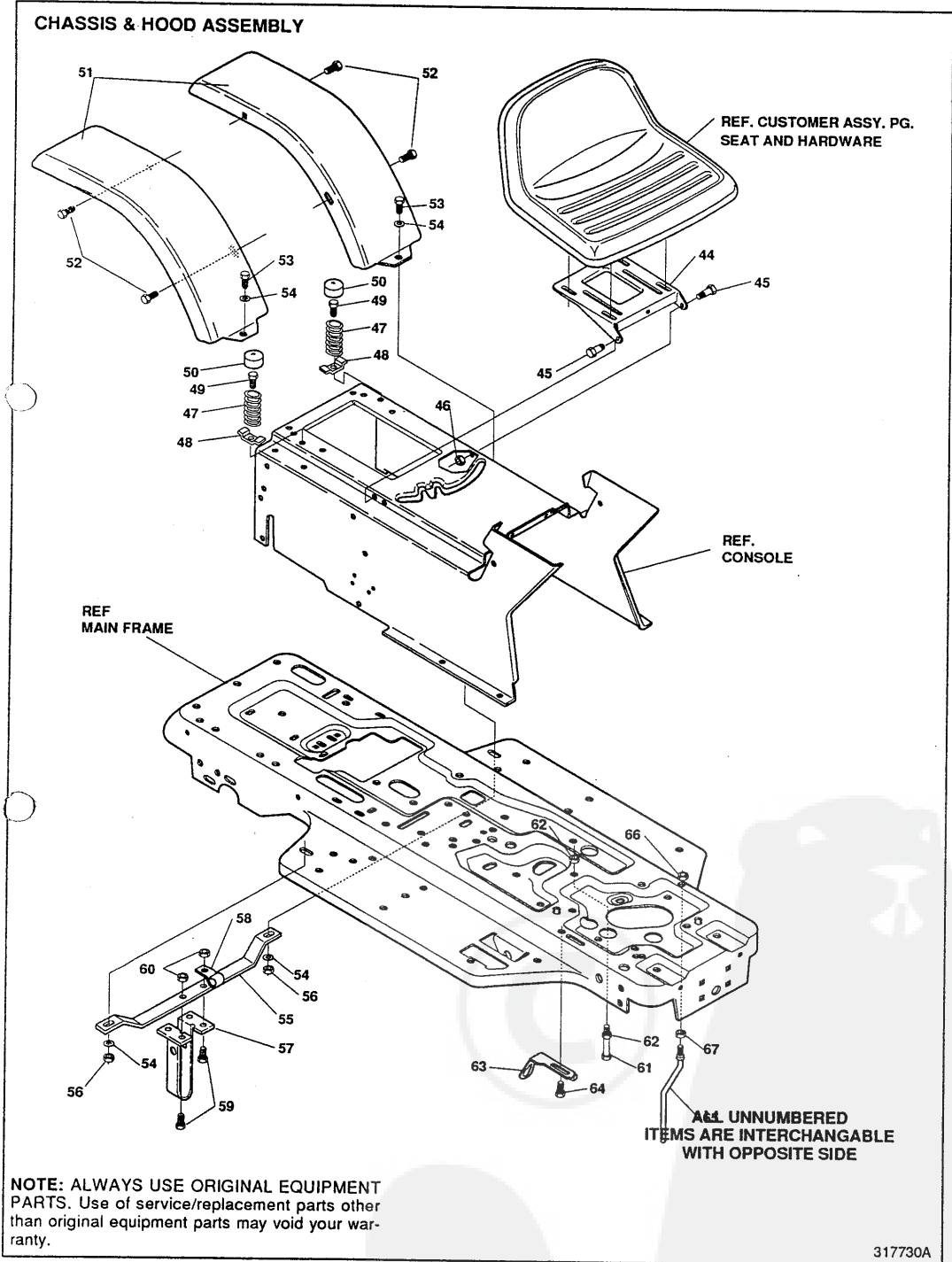
### 32" LAWN TRACTOR MODEL B3554-620

key#	part#	description	qty
1	317744	FRAME,MAIN	1
2	310003	FOOTPAD,LH	1
3	310004	FOOTPAD,RH	1
4	309235	FASTENER, RATCHET	12
5	313045	BRACKET,GRILLE L.H	1
6	313046	BRACKET,GRILLE R.H.	1
7	313437	BRKT,SUPT FRT AXLE-SF	1
8	56030	SCREW, 5/16-18X.75WDFLLK	6
9	55273	NUT, 5/16-18 HXWDFLLK	6
10	307034	BRACKET, FRONT HANGER	1
11	050720	BOLT, .625X2.875 SPSH 1/2-20	1
12	0274654	NUT, 1/2-20 REGHXCTRLK	1
13	0122201	SCREW, 3/8-16X2.75 HHC	1
14	02483	WASHER,.39IDX1.25DX.07	1
15	01499	NUT, 3/8-16 REGHXCTRLK	1
16	310971	CONSOLE	1
17	306330	CONSOLE, REAR COVER	1
18	0995346	SCREW, 1/4-20X .50 WAHTAP	15
19	305313	DASH	1
20	302723	INSERT,DASH,LH	1
21	302724	INSERT,DASH,RH	1
22	0995338	SCREW, 1/4-20X .63 HHWATAP	2
23	0274672	SCREW, 1/4-20X .63 WAHHC	4
24	051335	NUT, 1/4-20 WDFLLK	4
25	312306	BAFFLE CONSOLE	1
26	0300314	SCREW, 1/4-20X .88WAHTAP	2
27	0120393	WASHER, FLAT .344X .69X.065	2
28	01502	NUT, 1/4-20 REGHEXCTRLK	2
29	311762	HOOD	1
30	307278	SUPPORT,HOOD	1
31	0301542	SCREW, 10-24X1.00HWATAP	4
32	0271166	NUT, #10-24 HEXKEPS	4
33	302722	GRILLE	1
34	9783	BRACKET,TIE.HOOD	2
35	035055	SCREW, 10-24X.50 SLHWATAP	8
36	310203	CLIP HOG RING	1
37	056676	BOLT, .375X .580 HSSH 5/16-18	2
38	01498	NUT, 5/16-18 REGHEXCTRLK	2
39	57478	SPRING, HOOD LATCH	2
40	305716	LENS SMOKED	1
41	304979	FOIL, REFLECTOR LENS- BULB	2
42	057796	SCREW, #6 X .50 PLASTITE	4
43	301452	FOIL, HEAT REFLECTOR	1
44	12563C	OPERATOR'S MANUAL (NOT ILLUSTRATED)	1
45	318405	PARTS MANUAL (NOT ILLUSTRATED)	1

◊ Indicates STANDARD HARDWARE ITEMS.

**32" LAWN TRACTOR MODEL B3554-620**

**CHASSIS & HOOD ASSEMBLY**



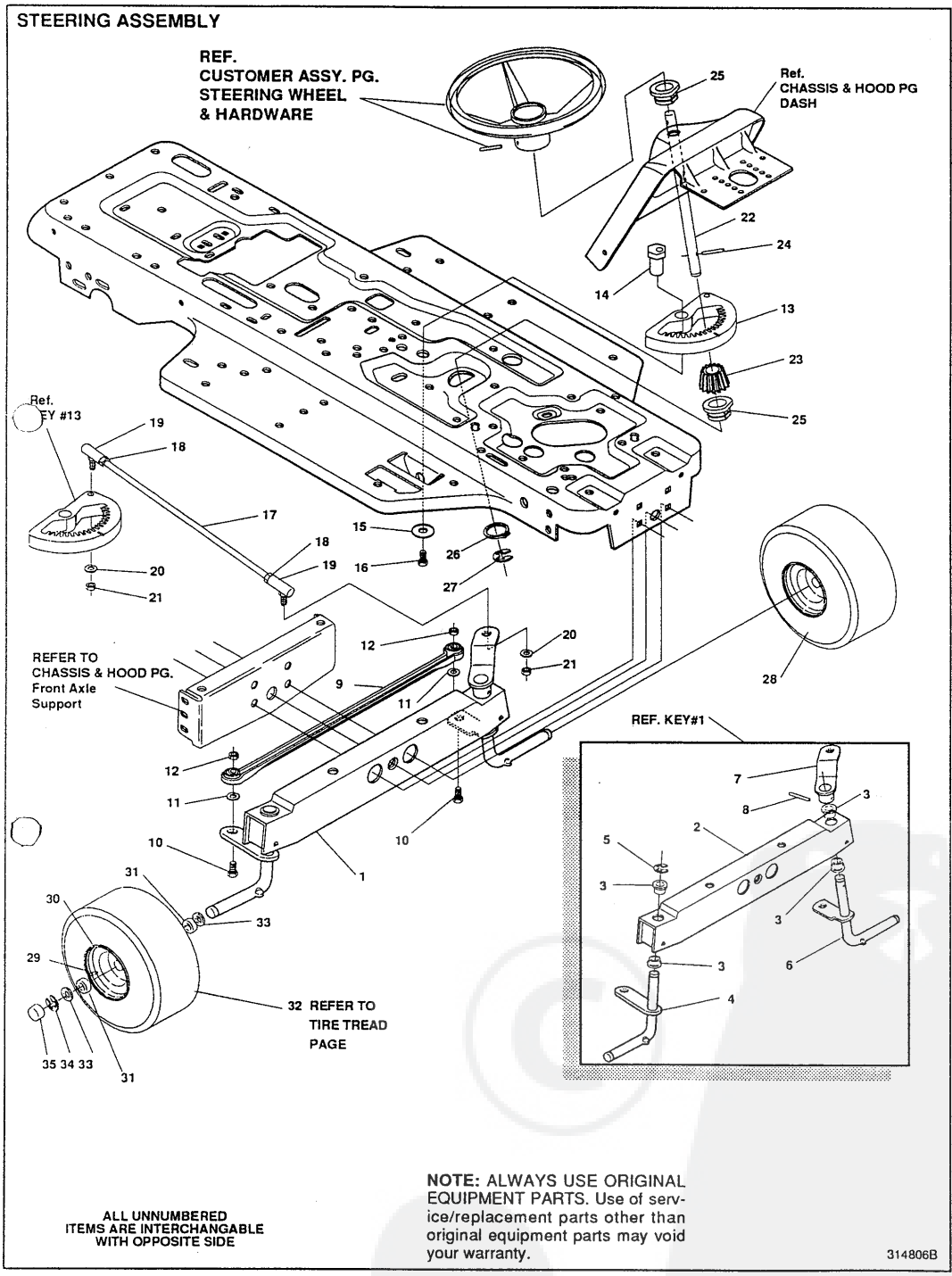
317730A

**32" LAWN TRACTOR MODEL B3554-620**

key#	part#	description	qty.
44	307024	PLATE, SEAT	1
45	020507	BOLT, .437X .156 HSSH 5/16-18	2
46	01498	NUT, 5/16-18 REGHEXCTRLK	2
47	56220	SPRING, 1.43X2.38X.162	2
48	1341	CLAMP, SPRING 1.17"ID	2
49	0995346	SCREW, 1/4-20X .50 WAHHTAP	2
50	302099	SPRING COVER, SEAT	2
51	306329	FENDER	2
52	0995346	SCREW, 1/4-20X .50 WAHHTAP	4
53	0122017	SCREW, 5/16-18X1.00 HHC	2
54	0446363	WASHER, FLAT .375X .88X.082	4
55	43964	SUPPORT, GUIDE	1
56	01498	NUT, 5/16-18 REGHEXCTRLK	2
57	49899	BRACKET, DECK GUIDE	1
58	57569	RETAINER, .31IDX.62X.03 WIRE	1
59	0122017	SCREW, 5/16-18X1.00 HHC	2
60	01498	NUT, 5/16-18 REGHEXCTRLK	2
61	049930	SCREW, 3/8-16X7.25 HHC	1
62	01499	NUT, 3/8-16 REGHXCTRLK	2
63	312953	BRACKET, SWITCH MOUNT	1
64	0995346	SCREW, 1/4-20X .50 WAHHTAP	1
65	50653	GUIDE, BELT	1
66	041529	NUT, 3/8-16 HXCTRLKJAM GRD	1
67	0271190	NUT, 3/8-16 HEXKEPS	1

◊ Indicates STANDARD HARDWARE ITEMS.

32" LAWN TRACTOR MODEL B3554-620





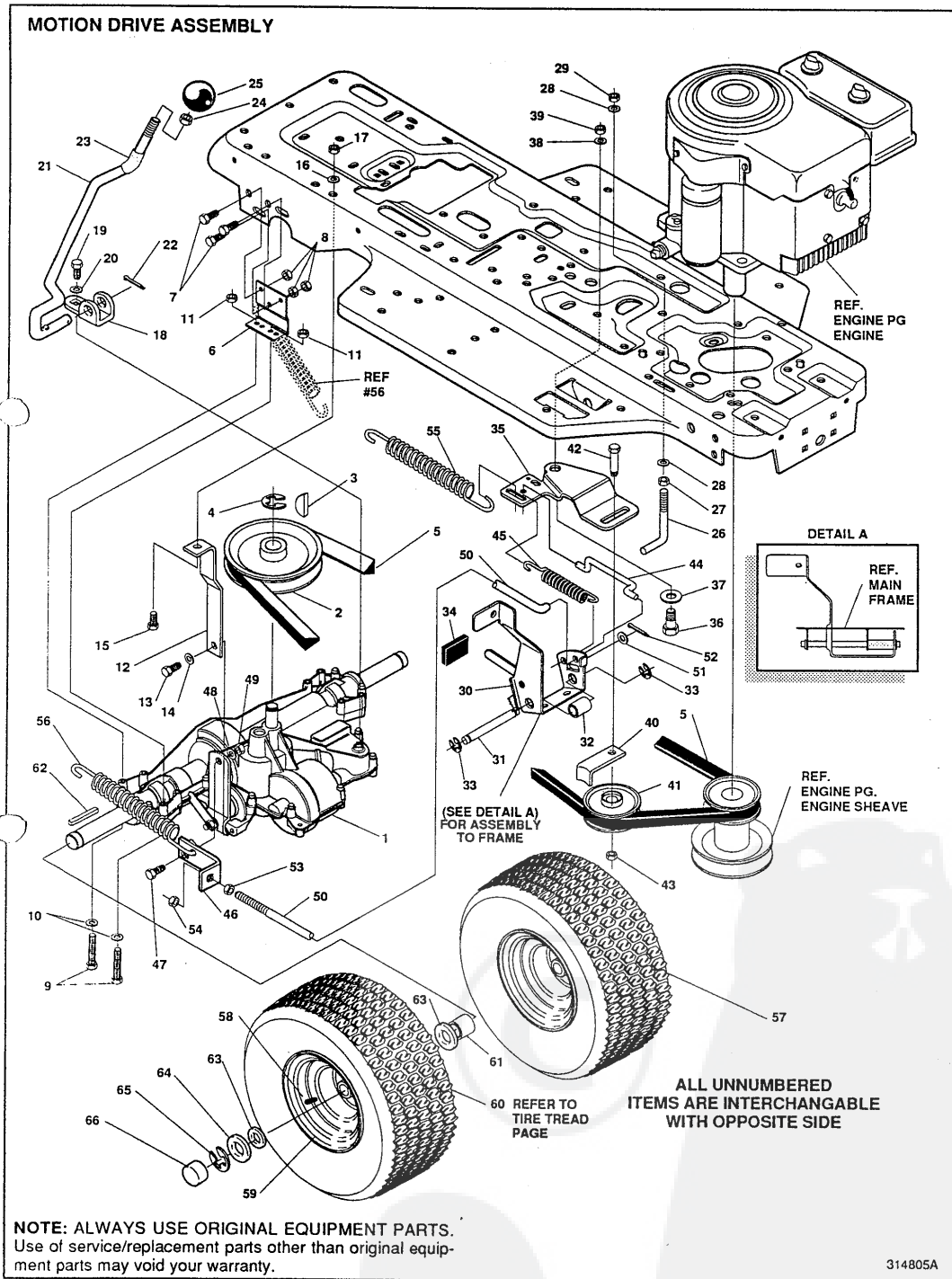
### 32" LAWN TRACTOR MODEL B3554-620

key#	part#	description	qty.
1	*	FRONT AXLE ASSEMBLY SF	1
2	56400	AXLE, FRONT	1
3	50546	BEARING, FLANGE	4
4	310368	SPINDLE, RH	1
5	36625	RING, RETEX	1
6	310367	SPINDLE, LH	1
7	49447	ARM, STEERING LH	1
8	454565	PIN, SPRING	1
9	302691	TIE ROD	1
10	◇ 122145	SCREW, 3/8-16X1.25 HHC	2
11	◇ 120382	WASHER, .393X.68X.10 REGSPTLK	2
12	◇ 1499	NUT, 3/8-16 REGHCTRLK	2
13	304245	SECTOR, GEAR	1
14	44011	BOLT, .750X1.40 SPSH	1
15	2483	WASHER, .391DX1.25ODX.07	1
16	39573	SCREW, 3/8-24X1.00 NYL	1
17	56190	DRAG LINK	1
18	◇ 124925	NUT, 3/8-24 REGHEXJAM	2
19	21275	BALL JOINT	2
20	◇ 120382	WASHER, REGSPTLK	2
21	◇ 120369	NUT, 3/8-24 REGHEX	2
22	44008	STEERING SHAFT	1
23	44009	PINION, STEERING SHAFT	1
24	454565	PIN, SPRING	1
25	54902	BEARING, 1.370X.50 FLANGE STEERING	2
26	39492	RING, RETEX 1.27X.05	1
27	36625	RING, RETEX .57X.05	1
28	41059	ASSEMBLY, TIRE & RIM	2
29	24167	VALVE STEM	1
30	39937	WHEEL W/BEARING	1
31	39979	BEARING, 1.38ODX.753ID FLANGE	2
32		REFER TO TIRE TREAD PAGE	
33	642	WASHER, FLAT .755X1.31X.075	4
34	36625	RING, RETEX .57X.05	2
35	40394	HUB CAP	2

\* Order Individual Parts.

◇ Indicates STANDARD HARDWARE ITEMS.

32" LAWN TRACTOR MODEL B3554-620

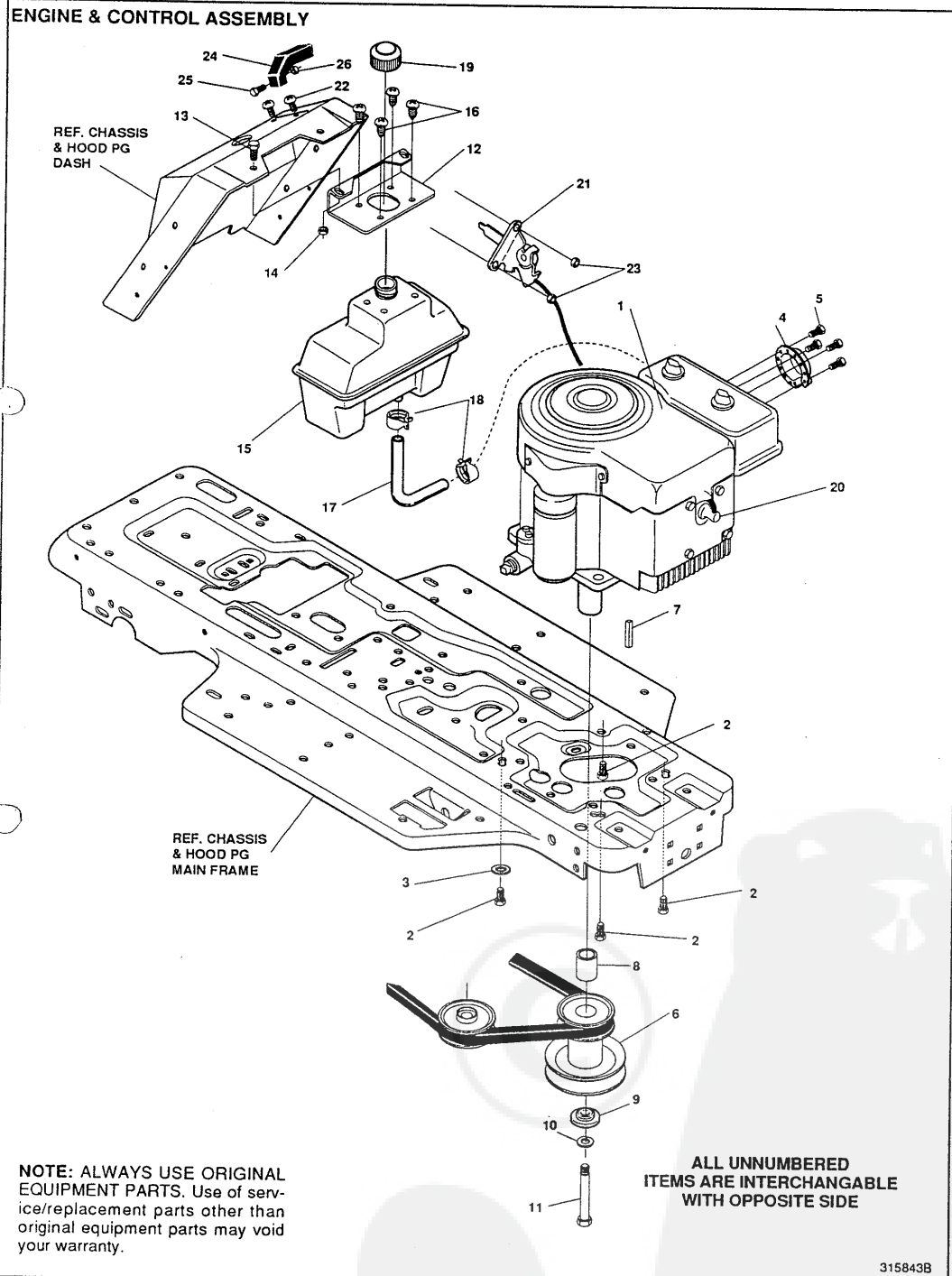


**32" LAWN TRACTOR MODEL B3554-620**

key#	part#	description	qty.
1	TRANSAXLE	CONTACT NEAREST DEALER	1
2	302745	PULLEY	1
3	3021	KEY, WDRF 606 .75X.187X.312	1
4	22053	RING, RETEX	1
5	54758	BELT	1
6	7707	BRACKET, TRANSAXLE	2
7	0120228	SCREW, 5/16-18X.63 HHC	6
8	01498	NUT, 5/16-18 REG H CTR LK	6
9	0180112	SCREW, 5/16-18X2.75	4
10	0120393	WASHER, FLAT .344X.69X.065	4
11	01498	NUT, 5/16-18 REG H CTR LK	4
12	309770	BRACKET, STABILIZER	1
13	035498	SCREW, 5/16-18X.75 WA H TAP	1
14	0120638	WASHER, .328X.60X.09 HVSPTLK	1
15	0122017	SCREW, 5/16-18X1.00 HHC	1
16	0138485	WASHER EXLK .320X.61X.03	1
17	01498	NUT, 5/16-18 REG H CTR LK	1
18	57480	BRACKET, SHIFT LEVER	1
19	56255	SCREW, 1/4-28X.75 NYLHH	1
20	057157	WASHER, .750X.250	1
21	302283	SHIFT LEVER	1
22	137185	PIN, COTTER .125 DIA 1.00 LG	1
23	302445	TUBE, CLEAR PLASTIC	1
24	0120238	NUT, 1/2-13HEXJAM	1
25	304438	KNOB, SHIFT	1
26	49896	GUIDE, BELT	1
27	0271184	NUT, 5/16-18 HEXKEPS	1
28	0120393	WASHER, FLAT .344X.69X.065	2
29	01498	NUT, 5/16-18 REG H CTR LK	1
30	310857	ASSEMBLY, BRAKE PEDAL	1
31	302600	ROD, PIVOT	1
32	302601	SPACER	1
33	20864	RING, RETEX .39X.04	2
34	48761	PAD, BRAKE CLUTCH PEDAL	1
35	1306	BRACKET, IDLER ARM	1
36	41890	BOLT, .625X.218 HHSH	1
37	04107	WASHER, FLAT	1
38	045602	WASHER, FLAT .333X.87X.119	1
39	01498	NUT, 5/16-18 REG H CTR LK	1
40	39659	RETAINER, STRAP	1
41	35374	PULLEY, IDLER	1
42	045892	BOLT, 3/8-16X1.50 CARRIAGE	1
43	01499	NUT, 3/8-16 REG H CTR LK	1
44	43980	ROD, CLUTCH	1
45	50562	SPRING	1
46	54723	BRACKET, BRAKE ROD	1
47	20507	BOLT, .437X.156 HHSH	1
48	0120393	WASHER, FLAT .344X.69X.065	1
49	01498	NUT, 5/16-18 REG H CTR LK	1
50	310189	ROD, BRAKE	1
51	0120393	WASHER, FLAT .344X.69X.065	1
52	0121222	PIN, COTTER	1
53	0271184	NUT, 5/16-18 HEXKEPS	1
54	01498	NUT, 5/16-18 REG H CTR LK	1
55	49276	SPRING	1
56	35410	SPRING	1
57	*	TIRE AND RIM ASSEMBLY	2
58	24167	VALVE STEM	1
59	36182	WHEEL	1
60		REFER TO TIRE TREAD PAGE	
61	57479	SPACER, .75X1.25X1.32	2
62	39628	KEY, SQUARE	2
63	0642	WASHER, FLAT .755X1.31X.075	4
64	042815	WASHER, FLAT .755X1.53X.07	2
65	36625	RING, RETEX .57X.05 TRL	2
66	40394	CAP, HUB 1.500 IDX7/8 LG	2

\* Order Individual Parts.  
 ◊ Indicates STANDARD HARDWARE ITEMS.

32" LAWN TRACTOR MODEL B3554-620



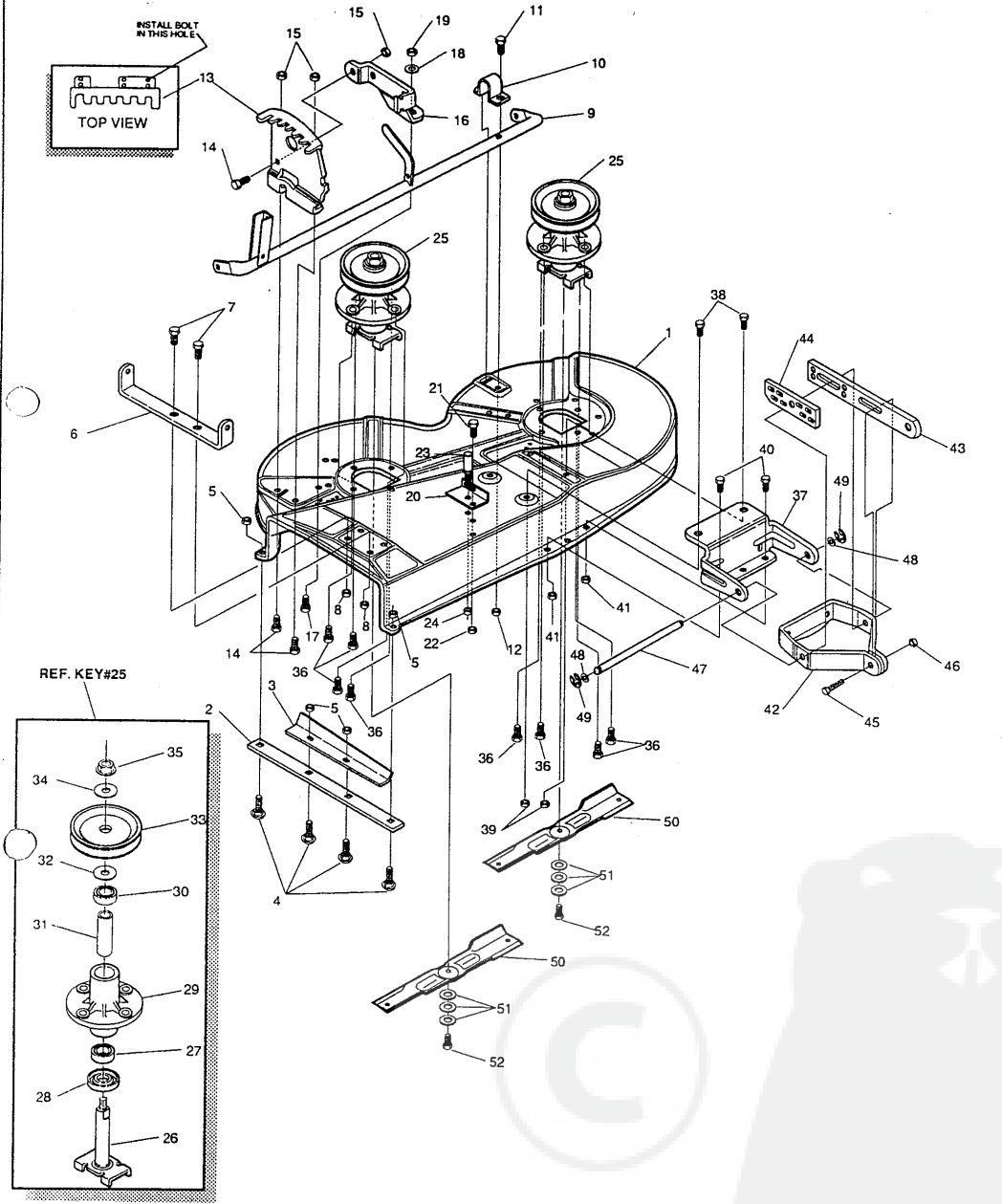
### 32" LAWN TRACTOR MODEL B3554-620

key#	part#	description	qty.
1	ENGINE	8B&S VER ELEC (SEE ENGINE MANUAL)	1
2	◇50947	SCREW, 3/8-16X1.25 WAHHTAP	4
3	138489	WASHER, EXLK .384X.69X.04	1
4	301476	DEFLECTOR SIDE OUT	1
5	◇35287	SCREW, #8-32X .38 HHWATAP	4
6	310250	PULLEY,ENGINE	1
7	303151	KEY, SQUARE .249SQX4.50	1
8	304246	SPACER	1
9	56431	WASHER, .980IDX1.38ODX.437PILOT	1
10	120383	WASHER, REGSPTLK.459X.78X.12	1
11	◇433146	SCREW, 7/16-20X4.25 HHC	1
12	9774	BRACKET,GAS TANK	1
13	◇55686	SCREW, 1/4-20X .63 SLTRMA	2
14	◇51335	NUT, 1/4-20 WDFLLK	2
15	314989	TANK, FUEL 1 GAL	1
16	◇49050	SCREW, 1/4-10X .75PHPNTAP	4
17	47452	GAS LINE .25ID BULK LENGTH	14.5IN
18	48672	CLAMP, FUEL LINE	2
19	46704	GAS CAP 1-1/2-7	1
20	49221	RES PLUG B&S 8-11HP	1
21	303159	THROTTLE, CONTROL	1
22	◇159943	SCREW, 10-24X .63PHPNMA	2
23	271166	NUT, #10-24 HEXKEPS	2
24	300508	KNOB,THROTTLE CONTROL	1
25	◇159585	SCREW, #8-32X .38 PHPNMA	1
26	◇120622	NUT, #8-32 REGHX	1

◇ Indicates STANDARD HARDWARE ITEMS.

**32" LAWN TRACTOR MODEL B3554-620**

**PRE-PAINTED DECK**



**NOTE: ALWAYS USE ORIGINAL EQUIPMENT PARTS.** Use of service/replacement parts other than original equipment parts may void your warranty.

**ALL UNNUMBERED ITEMS ARE INTERCHANGABLE WITH OPPOSITE SIDE**

12562E

32" LAWN TRACTOR MODEL B3554-620

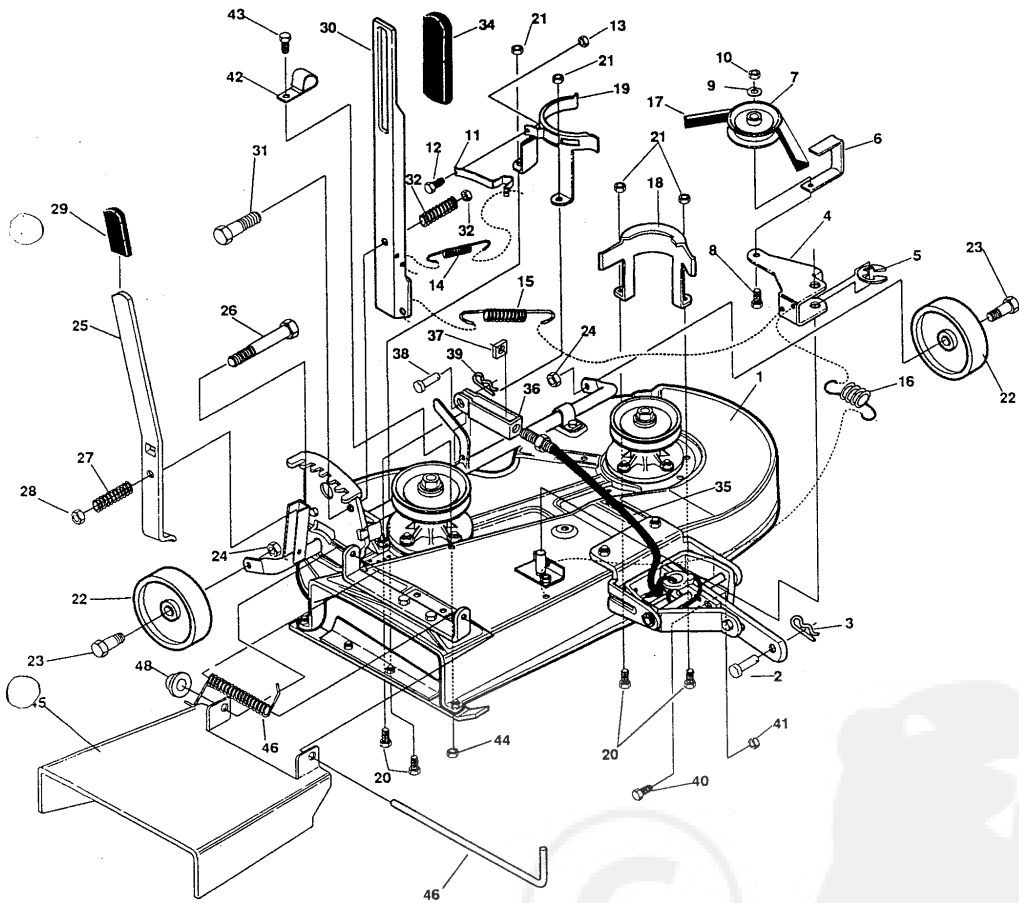
key#	part#	description	qty.
1	309948	32"SD DECK ASSY	1
2	55370	SKID BAR	1
3	55368	CHUTE DEFL-RIDER	1
4	126216	BOLT, 5/16-18X .75 CARR	4
5	◇ 271184	NUT, 5/16-18 HEXKEPS	4
6	57432	CHUTE PIVOT BRKT	1
7	◇ 122007	SCREW, 5/16-18X .75 HHC	2
8	◇ 1498	NUT, 5/16-18 REGHEXCTRLK	2
9	12561	ASSY.PIVOT TUBE	1
10	51985	SUPPORT,PIVOT TUBE	1
11	◇ 120228	SCREW, 5/16-18X .63 HHC	1
12	◇ 1498	NUT, 5/16-18 REGHEXCTRLK	1
13	12559	BRKT.HEIGHT ADJUST	1
14	◇ 120228	SCREW, 5/16-18X .63 HHC	3
15	◇ 1498	NUT, 5/16-18 REGHEXCTRLK	3
16	53781	BRACE 30"SD DECK	1
17	◇ 180120	SCREW, 3/8-16X .75 HHC	1
18	◇ 120394	WASHER, FLAT .406X .81X.065	1
19	◇ 1499	NUT, 3/8-16 REGHXCTRLK	1
20	57519	BRACKET, SWITCH	1
21	◇ 120228	SCREW, 5/16-18X .63 HHC	1
22	◇ 1498	NUT, 5/16-18 REGHEXCTRLK	1
23	40305	SHOULDER PIN	1
24	◇ 1499	NUT, 3/8-16 REGHXCTRLK	1
25	56283	QUILL, 32/42" ASSEMBLY	2
26	56623	SHAFT/SADDLE ASSY.	1
27	49562	BEARING, BALL	1
28	50616	DUST SHIELD	1
29	55547	QUILL CASTING	1
30	49562	BRNG, BALL	1
31	50818	SPACER,3.797LGX.669IDX.88OD	1
32	56280	SPACER	1
33	56391	QUILL PULLEY	1
34	56365	SPECIAL WASHER	1
35	1282	NUT, 7/16-20 WDFLLK	1
36	50634	SCREW, 5/16-18X .88 WAHTAP	8
37	48676	LIFT PLATE	1
38	◇ 120228	SCREW, 5/16-18X .75 HHC	2
39	◇ 1498	NUT, 5/16-18 REGHEXCTRLK	2
40	55686	SCREW, 1/4-20X .63 SLTRMA	2
41	◇ 271172	NUT, 1/4-20 REGHEXKEPS	2
42	50613	BRACKET,PIVOT	1
43	49059	BAR, HITCH	1
44	49058	BRACKET, LOCK	1
45	◇ 120918	SCREW, 3/8-16X1.50 HHC	1
46	◇ 1499	NUT, 3/8-16 REGHXCTRLK	1
47	55724	PIN, PIVOT ROD .50DX7.55	1
48	◇ 996425	WASHER, FLAT .515X .88X.064	2
49	20864	RING, RET E .39X.04	2
50	56820	BLADE, 32" LOW-LIFT 16	2
51	2483	WASHER, 39IDX1.25DX.07 BELLVIL	6
52	39573	SCREW, 3/8-24X1.00 NYLHHC	2

◇ Indicates STANDARD HARDWARE ITEMS.

32" LAWN TRACTOR MODEL B3554-620

FINAL DECK ASSEMBLY

\*12562 - DECK ASSY. PRE-PAINT



ALL UNNUMBERED  
ITEMS ARE INTERCHANGABLE  
WITH OPPOSITE SIDE

NOTE: ALWAYS USE ORIGINAL EQUIPMENT PARTS.  
Use of service/replacement parts other than original equip-  
ment parts may void your warranty.

315925C



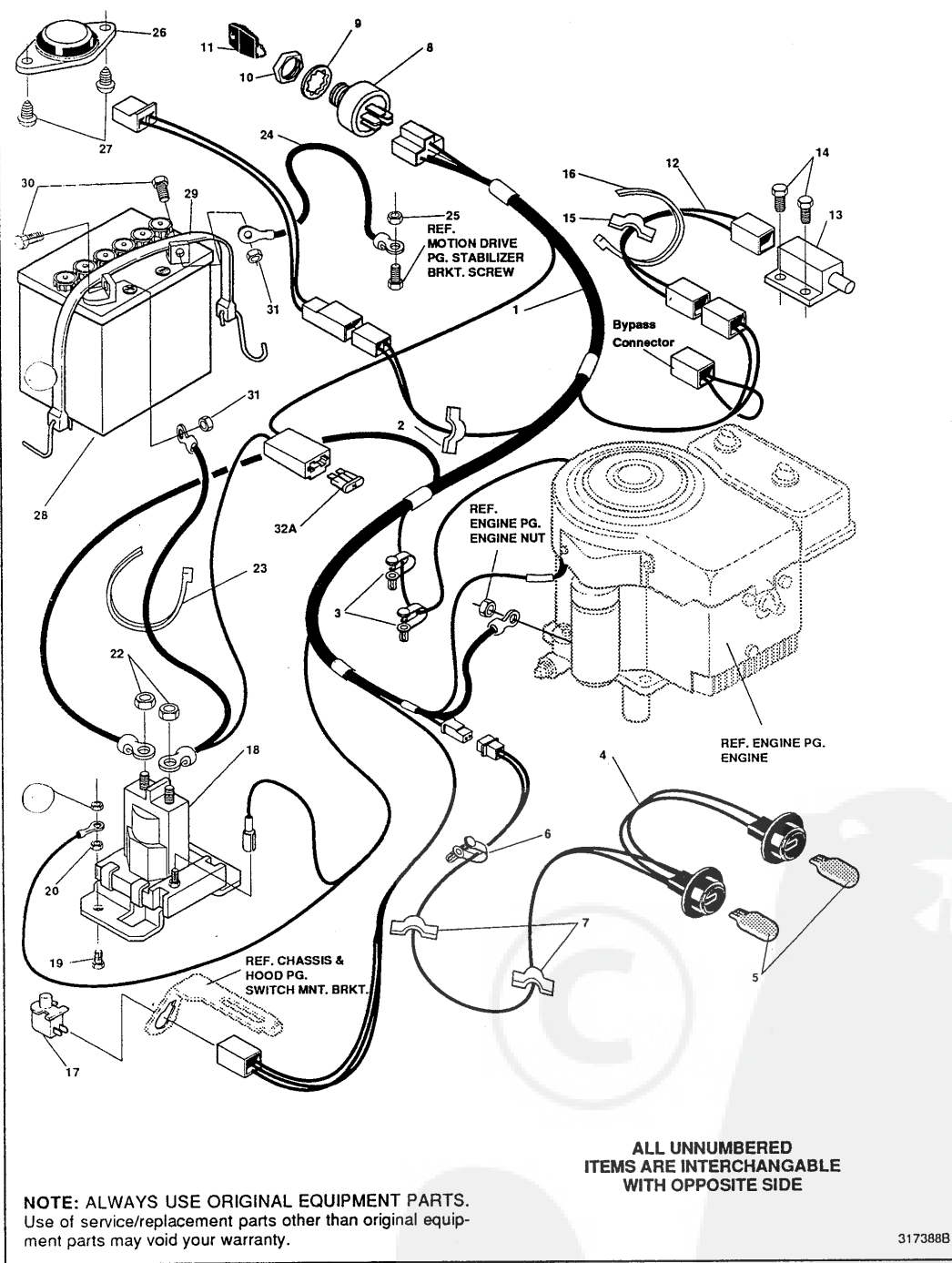
32" LAWN TRACTOR MODEL B3554-620

key#	part#	description	qty.
1	*	PAINTED 32" MOWER DECK ASSEMBLY	1
2	47816	PIN, .495X1.750 CLEVIS-SHORT	1
3	56180	PIN, HAIR .091 DIAX1.62LG	1
4	304883	BRACKET IDLER 32SD	1
5	20864	RING, RET E .39X.04	1
6	3382	RETAINER, STRAP BELT	1
7	39498	IDLER PULLEY, DRIVE	1
8	◇ 122181	SCREW, 3/8-16X2.00 HHC	1
9	120382	SPLIT LOCKWASHER .393 X .68 X .10 Z	1
10	◇ 120377	NUT, 3/8-16 REGHX	1
11	44992	BELT BRAKE SPRING	1
12	◇ 443874	SCREW, 10-24X .50 HHMA	1
13	◇ 997316	NUT, #10-24 REGHEXCTRLK	1
14	12556	SPRING,BRAKE RELEASE	1
15	12557	SPRING,DECK ENGAGE	1
16	41357	RETURN SPRING	1
17	45186	BELT, V 4L 63.00	1
18	307652	COVER QUILL L.H	1
19	307653	COVER QUILL R.H.	1
20	◇ 120228	SCREW, 5/16-18X1.00 HHC	4
21	◇ 1498	NUT, 5/16-18 REGHEXCTRLK	4
22	52584	WHEEL, SD 6.00ODX1.38WD SMO	2
23	23763	BOLT, .500X1.656 HHSH 3/8-16	2
24	◇ 1499	NUT, 3/8-16 REGHXCTRLK	2
25	8903	LEVER, HT. ADJ.	1
26	◇ 120696	SCREW, 5/16-18X2.25 HHC	1
27	53246	SPRING	1
28	◇ 1498	NUT, 5/16-18 REGHEXCTRLK	1
29	53995	GRIP HANDLE	1
30	9126	HANDLE, DECK ENGAGE BLK	1
31	◇ 122040	SCREW, 5/16-18X1.50 HHC	1
32	29170	SPRING	1
33	◇ 1498	NUT, 5/16-18 REGHEXCTRLK	1
34	55213	GRIP	1
35	57511	LIFT CABLE	1
36	9405	CLEVIS, LIFT CABLE	1
37	◇ 120372	NUT, 1/4-20 REGSQ	1
38	39522	PIN CLEVIS .312 X .812	1
39	56180	PIN, HAIR .091 DIAX1.62LG	1
40	◇ 120228	SCREW, 5/16-18X .63 HHC	1
41	◇ 1498	NUT, 5/16-18 REGHEXCTRLK	1
42	57569	RETAINER, .311DX.62X.03 WIRE	1
43	◇ 120228	SCREW, 5/16-18X .63 HHC	1
44	◇ 1498	NUT, 5/16-18 REGHEXCTRLK	1
45	8905	CHUTE, DISCHARGE	1
46	57430	DEFLECTOR CHUTE PIVOT ROD	1
47	57431	SPRING TORSION CHUTE DEF	1
48	57507	PUSH NUT	1

◇ Indicates STANDARD HARDWARE ITEMS.

32" LAWN TRACTOR MODEL B3554-620

ELECTRICAL ASSEMBLY



### 32" LAWN TRACTOR MODEL B3554-620

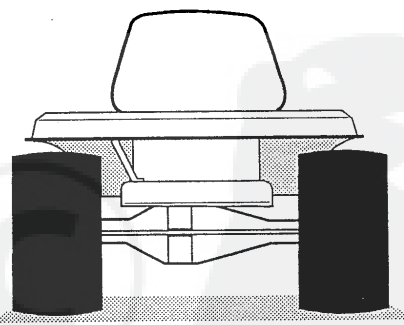
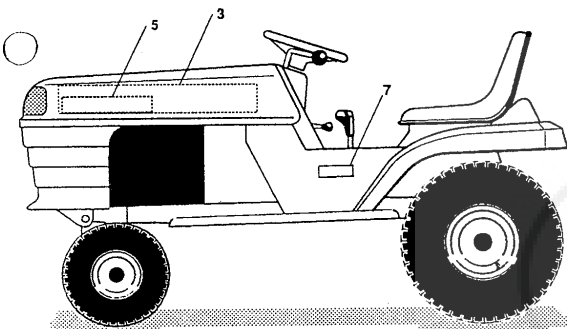
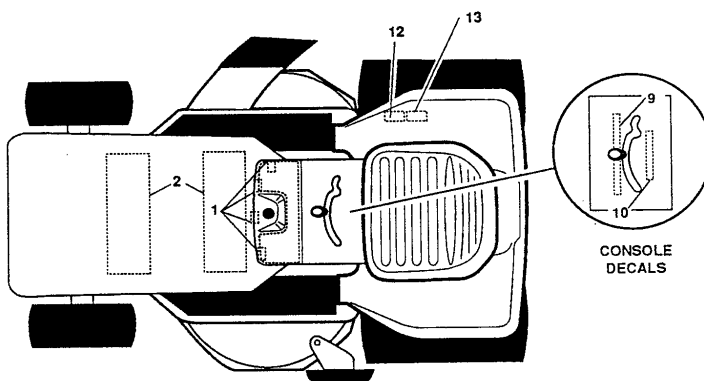
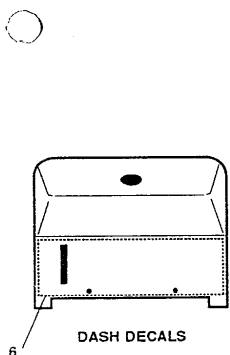
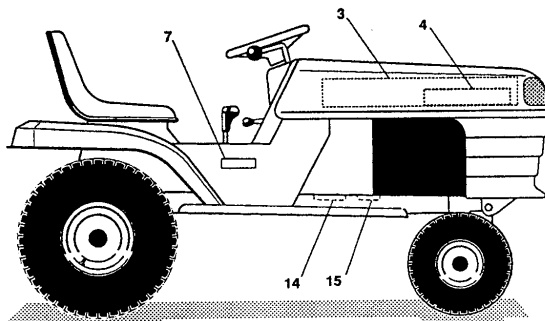
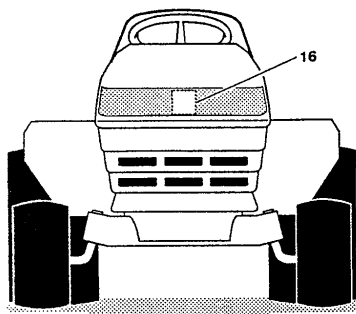
key#	part#	description	qty.
1	57642	WIRE HARNESS	1
2	41482	CLIP, PRESS WIRE	2
3	54888	RETAINER, WIRE	2
4	303064	ASSY., LIGHT WIRE	1
5	52572	BULB, HEADLAMP	2
6	54888	RETAINER WIRE	1
7	41482	CLIP, PRESS WIRE	2
8	300687	SWITCH, IGNITION & LIGHTS	1
9	0138557	WASHER, REGINTLK	1
10	48140	NUT, 5/8-32 HXHD IGN SWIT	1
11	300626	KEY, IGNITION SWITCH	1
12	57564	HARNESS, DECK WIRE	1
13	57476	SWITCH	1
14	057220	SCREW, #12 X .50 PHPNHTAP	2
15	041482	CLIP, PRESS WIRE	1
16	57444	TIE, CABLE BLACK NYLON	1
17	300220	SWITCH, SNAPMNT NO .055/.116	1
18	53716	SOLENOID, NEW CLUM	1
19	0187745	SCREW, 1/4-20 X .75 HXSEMMA	2
20	01502	NUT, 1/4-20 REGHEXCTRLK	2
21	0271172	NUT, 1/4-20 HEXKEPS	1
22	0271187	NUT, 5/16-24 H KEPS	2
23	57444	TIE, CABLE	1
24	55511	WIRE, GROUND	1
25	0271184	NUT, 5/16 - 18 HEXKEPS	1
26	57547	SWITCH, SEAT	1
27	0160505	SCREW, 1/4-20 PNPNHM	2
28	57486	BATTERY, 12V 5 PLATE	1
29	309862	STRAP, RUBBER	1
30	0120854	SCREW, 1/4-20 X .63 HHC	2
31	0271172	NUT, 1/4-20 H KEPS	2
32A	**302031	FUSE, 15 AMP SHADE TYPE	1
32B	**49211	FUSE, 15 AMP CYLINDRICAL TYPE	1

◇ Indicates STANDARD HARDWARE ITEMS.

\*\*Cylindrical or Spade type fuses are included with the wire harness.

32" LAWN TRACTOR MODEL B3554-620

DECALS



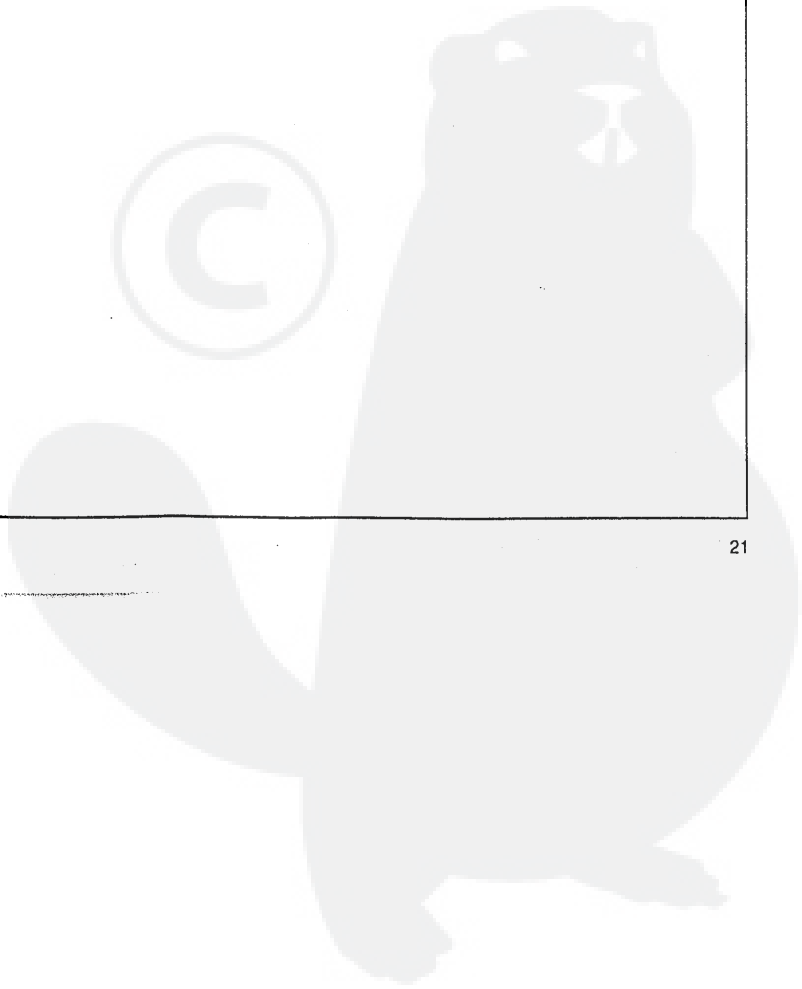
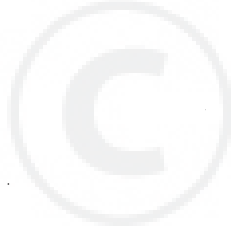
**NOTE: ALWAYS USE ORIGINAL EQUIPMENT PARTS.**  
Use of service/replacement parts other than original equipment parts may void your warranty.

**ALL UNNUMBERED  
ITEMS ARE INTERCHANGABLE  
WITH OPPOSITE SIDE**

317732A

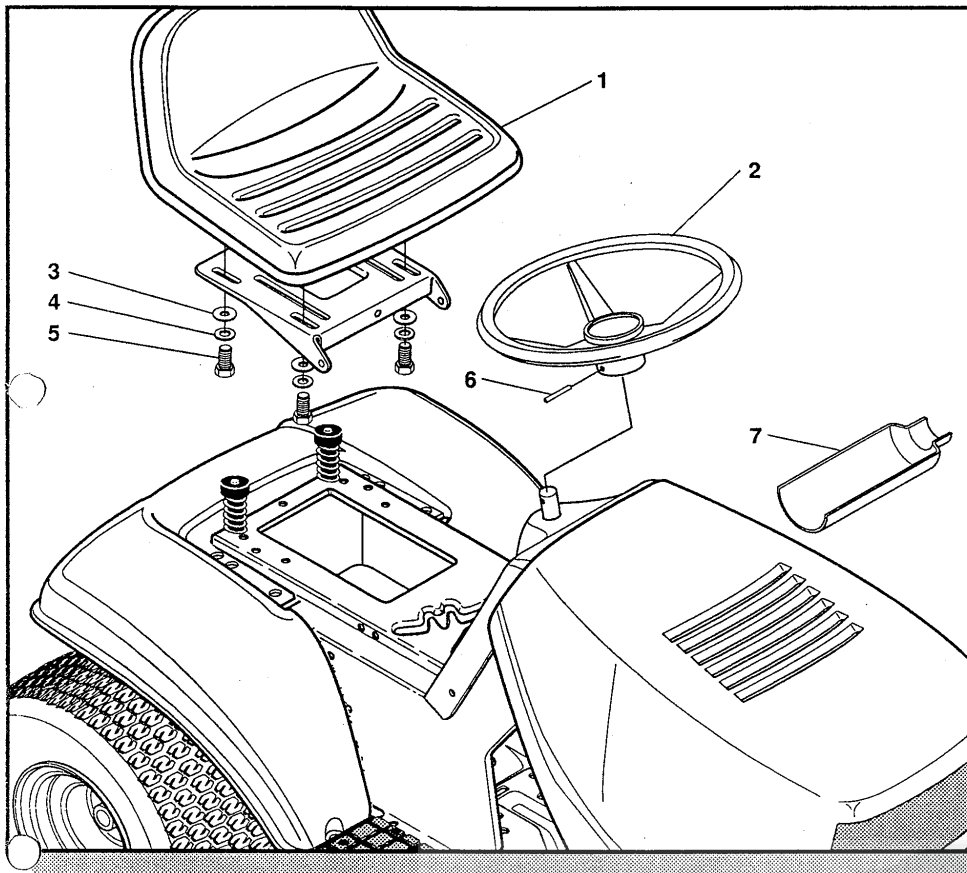
**32" LAWN TRACTOR MODEL B3554-620**

KEY#	PART#	DESCRIPTION	QTY.
1	318197	PAD,ADHESIVE 1.00	4
2	305602	FOAM HOOD	2
3	305603	PAD, 18 X 6 FOAM HOOD	2
4	317740	DECAL, 832 SOLIFER RH	1
5	317741	DECAL, 832 SOLIFER LH	1
6	305920	DECAL,DASH,LWR 1003	1
7	300556	NAME PLATE,8/32 WHITE	2
8		REFERENCE ONLY	1
9	307047	DECAL,3-SPEED CONSOLE TOP	1
10	307383	DECAL,INSTR. CONSOLE TOP ENGL	1
11		REFERENCE ONLY	1
12	68900	DECAL,BLADE ENGAGE EUROPE	1
13	68901	DECAL,BLADE HEIGHT ADJ. EUROPE	1
14	67667	DECAL, CHECK OIL LEVEL	1
15	68903	DECAL,BRAKE/CLUTCH EUROPE	1
16	307732	DECAL,LENS CENTER SMOKED	1



32" LAWN TRACTOR MODEL B3554-620

CUSTOMER ASSEMBLY



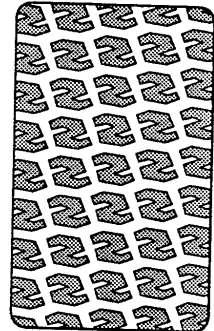
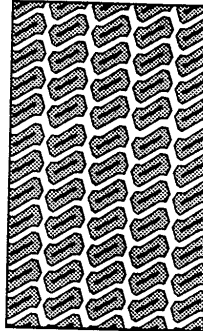
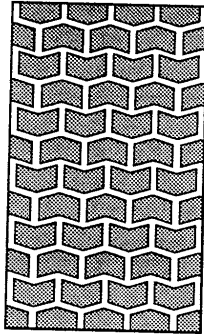
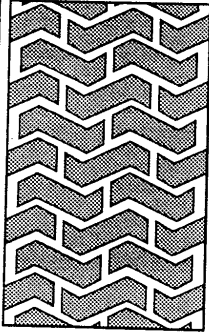
**CUSTOMER ASSEMBLY VIEW**

315108 PARTS BAG ASSY QTY1

key#	part#	decription	qty
1	57452	SEAT MV350	1
2	301251	STEERING WHEEL	1
3	120393	WASHER, FLAT .344X.69X.065	4
4	120638	WASHER, HVSPLTLK .328X.60X.109	4
5	122007	SCREW, 5/16-18X.75 HHC	4
6	456378	ROLL PIN .250DIA X2.0LG	1
7	54873	OIL TROUGH	1

315125A

# TREAD PATTERNS



TIRE SIZE	"A"	"B"	"C"	"D"
11 X 4.00 - 5	42295			
13 X 5.00 - 6	41060			
15 X 6.00 - 6	301140	316702	39830	313952
16 X 6.50 - 8		41081		314539
18 X 6.50 - 8				
18 X 9.50 - 8		316701		313950
20 X 8.00 - 8	314584			
20 X 10.00 - 8	58276			
20 X 10.00 - 10		55893		313565
23 X 9.50 - 12	314370			
23 X 9.50 - 12		53655		