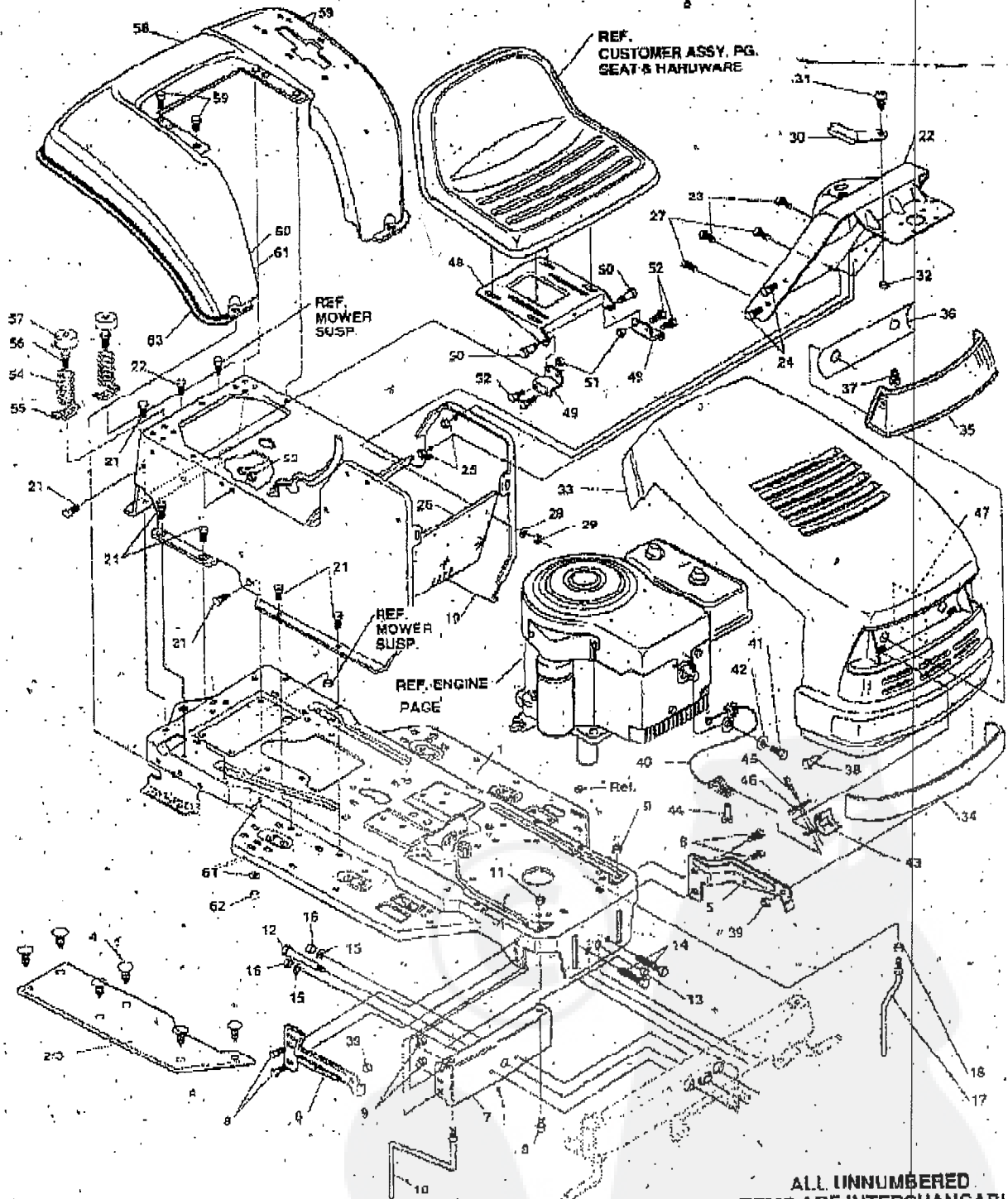


39" LAWN TRACTOR MODEL B3560-550

CHASSIS & HOOD ASSEMBLY



NOTE: ALWAYS USE ORIGINAL EQUIPMENT PARTS. Use of service/replacement parts other than original equipment parts may void your warranty.

REF. STEERING PG. FRONT AXLE ASSY.

ALL UNNUMBERED ITEMS ARE INTERCHANGABLE WITH OPPOSITE SIDE

318182D

Part No. 317094

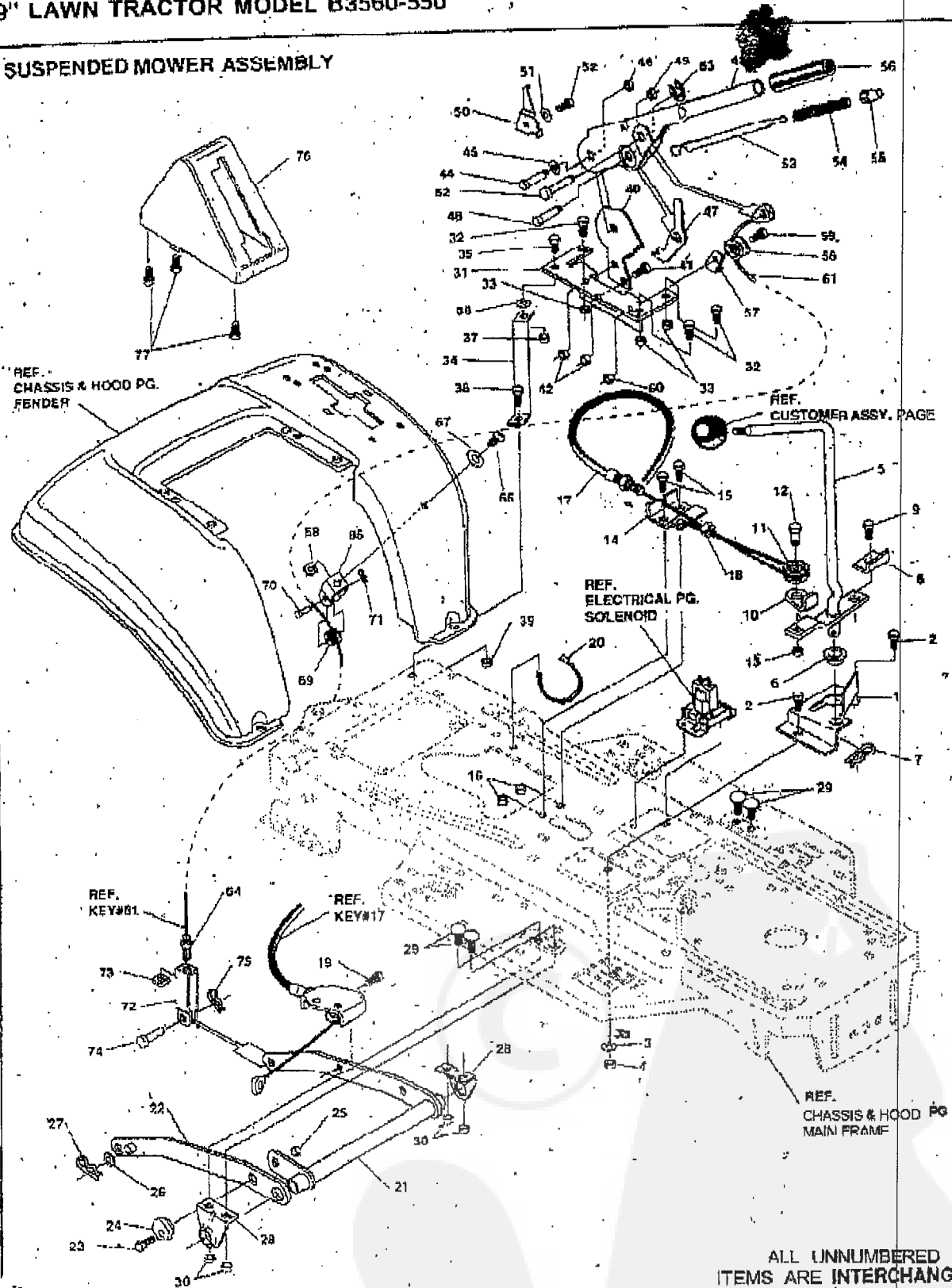
39" LAWN TRACTOR MODEL B3560-550

key#	part#	description	qty.
1	315967	FRAME,LF MAIN P920/F4360	1
2	310005	FOOTPAD,LH	1
3	310006	FOOTPAD,RH	1
4	309235	FASTENER, RATCHET	12
5	12653	GRILLE BRKT,LH	
6	12654	GRILLE BRKT,RH	
	56381	BRACKET, FRONT AXLE	
8	56030	SCREW, 5/16-18X.75WDFLLK	5
9	052273	NUT, 5/16-18 HXWDFLLK	5
10	300440	GUIDE, BELT, RIDER	1
11	01498	NUT, 5/16-18 REGHEXCTRLK	1
12	308,207	BOLT, 5/16X2.120 HHS 1/2-13NC	1
13	0309008	NUT, 1/2-13 REGHCTRLK	1
14	0122207	SCREW, 3/8-16X3.00 HHC	2
15	2483	WASHER, 3/8IDX1.25DX.07 BELLVIL	2
16	01499	NUT, 3/8-10 REGHCTRLK	2
17	300635	GUIDE,SHORT BELT RIDER	
18	0124824	NUT, 5/16-18 HEXJAM	
19	310446	CONSOLE GENERIC LF TOPSHIFT	
20	035497	SCREW, 5/16-18X .50 WAHHTAP	1
21	0995346	SCREW, 1/4-20X .50 WAHHTAP	1 3
22	304990	DASHBOARD,LF SUSP DYNA	
23	0995346	SCREW, 1/4-20X .50 WAHHTAP	2
24	0995338	SCREW, 1/4-20X .63 HHWATAP	4
25	050352	NWT, 1/4-20 WDFLLK TOPLOCK	4
26	312308	PLATE CONSOLE SOUND EXPORT	2
27	0300314	SCREW, 1/4-20X .88WAHHTAP	
28	0120382	WASHER, FLAT, 281 X .63X.065	2
29	01502	NUT, 1/4-20 REGHEXCTRLK	2
30	313022	GUIDE,HOOD	2
31	180018	SCREW, 1/4-20X.52 HHC	1
32	51335	NUT, 1/4-20 WDFLLK	
33	304026	HOOD,MOVA	1
34	305736	BUMPER,ASSY	1
35	302870	LENS,HEADLAMP	1
36	308482	FOIL,LENS DYNA HOOD REFLECTOR	1
37	057366	SCREW, 10-16X .50 DRILLTITE	2
38	56876	BOLT, .375X.580 HHS 5/16-18	2
39	01498	NUT, 5/16-18 REGHEXCTRLK	2
40	310740	LANYARD,HOOD	1
41	0180018	SCREW, 1/4-20X.62 HHC	1
42	120380	WASHER, REGSPTLK.263X.49X.07	1
43	310801	ANCHOR,HOOD LANYARD	
44	138077	PIN, CLEVIS.672LGX.248DIA	1
45	121222	PIN, COTTER .090/.086X.75LG	1
46	121223	PIN, COTTER .0625X.75LG	1
47	301452	FML, HEAT REFLECTOR	1
48	58367	PLATE, SEAT	1
49	310444	BRACKET, F-5 SEAT-SUPPORT	1
50	48901	BOLT, .437X.156 HHS 5/16-18	2
51	01498	NUT, 5/16-18 REGHEXCTRLK	2
52	0120228	SCREW, 5/16-18X .63 HHC	4
53	01498	NUT, 5/16-18 REGHEXCTRLK	4
54	57153	SPRING,SEAT 2.63LG.1.49OD	2
55	1341	CLAMP,SPRING 1.17"ID	2
56	044811	SCREW, 1/4-20X .75HXWATAP	2
57	58907	COVER,SEAT SPRING 1.51DX1.0	2
58	04759	FENDER, F-5 SUSP LF	1
59	0995346	SCREW, 1/4-20X .50 WAHHTAP	4
60	0122017	SCREW, 5/16-18X1.00 HHC	2
61	0446383	WASHER, FLAT .375X .88X.082	4
62	01498	NUT, 5/16-18 REGHEXCTRLK	2
63	55021	TRIM,STRIP,PACK	75LN
64	12529	OPERATOR'S MANUAL (NOT ILLUSTRATED)	
65	317094	PARTS MANUAL (NOT ILLUSTRATED)	

0 STANDARD HARDWARE ITEMS

39" LAWN TRACTOR MODEL B3560-550

SUSPENDED MOWER ASSEMBLY



NOTE: ALWAYS USE ORIGINAL EQUIPMENT PARTS. Use of service/replacement parts other than original equipment parts may void your warranty.

ALL UNNUMBERED ITEMS ARE INTERCHANGABLE WITH OPPOSITE SIDE

310046H

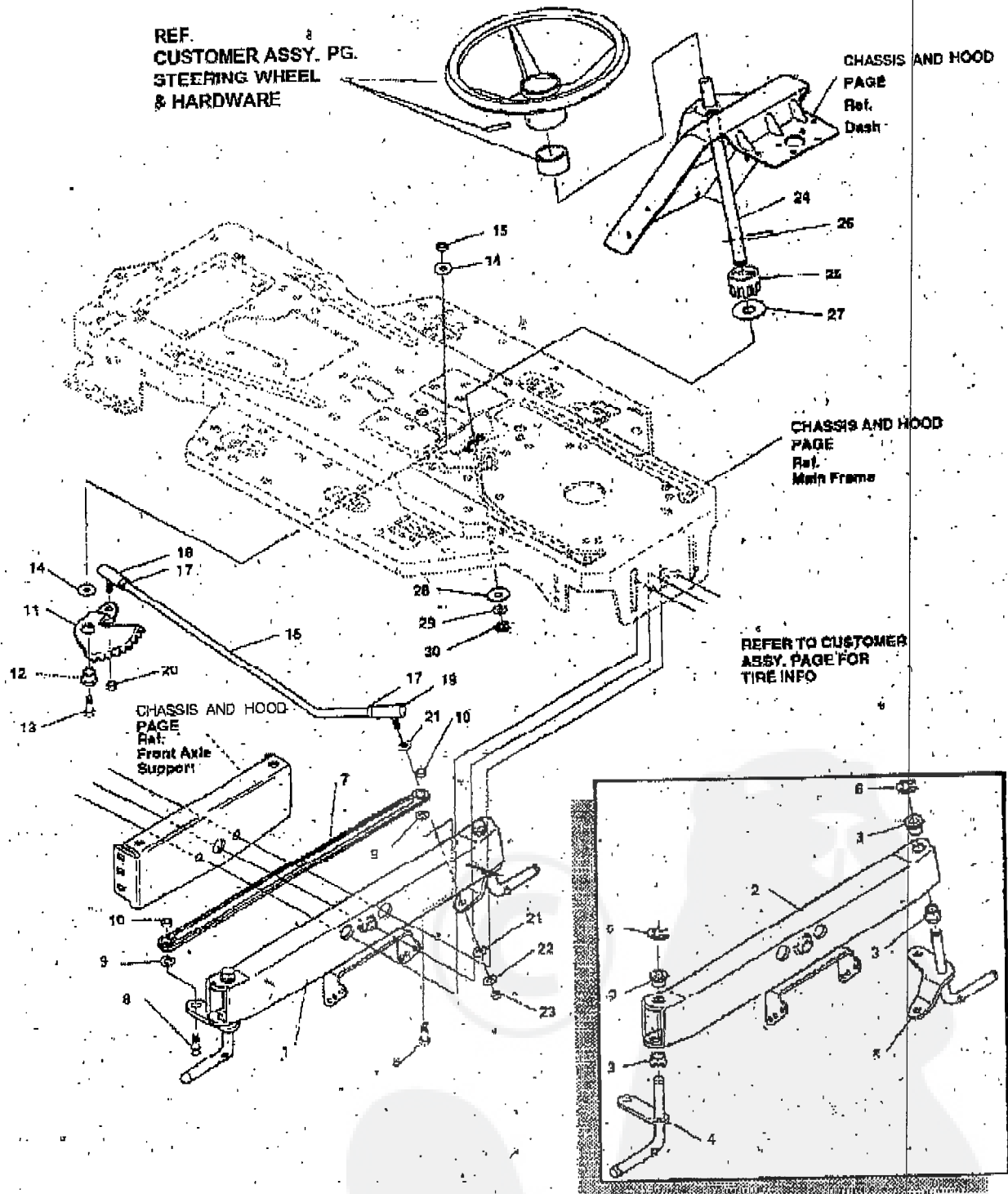
Part No. 317094

39" LAWN TRACTOR MODEL B3560-550

key#	part#	description	QTY.
	9402	BRACKET,CLUT-ENGAGE LEVER	1
2	180079	SCREW, 5/16-18X1.00 HHC	2
3	120393	WASHER, FLAT .344X.09X.065	2
5	3021148	NUT, ASSY, CLUTCH LEVER 5/16-18 REG-EXTRK	1
6	50148	BEARING, FL. 50S1DX.6280D	1
7	8260	PIN, HAIR .091DIA X 1.66LG	1
8	318841	BRACKET, SWITCH ENGAGE	1
9	35498	SCREW, 5/16-18X.75 WAHHTAP	1
10	1208	BRKT, CABLE RETAINER	1
11	3029.9	PULLEY, 306X.305 NYLON	1
12	58336	BOLT, .375X.375 HHSH 1/4-20	1
13	1502	NUT, 1/4-20 REGHEXCTRLK	1
14	9397	BRKT, FRAME CABLE	1
15	180020	SCREW, 1/4-20X.75 HHC	2
16	1502	NUT, 1/4-20 REGHEXCTRLK	2
17	301503	ASSY, CABLE BLADE ENGAGE	1
18	120618	NUT, 1/4-20 HJAMHJ	1
19	30498	SCREW, 5/16-18X.75 WAHHTAP	1
20	57444	TIE, GABLE BLACK NYLON	1
21	9185	ASSY, REAR LIFT	1
22	9185	ASSY, LINK, RIGHT SIDE	1
23	180079	SCREW, 5/16-18X1.00 HHC	1
24	58247	ADJUSTING NUT	1
25	1498	NUT, 5/16-18 REGHEXCTRLK	2
26	120398	WASHER, FLAT .531X1.06X.095	2
27	8260	PIN, HAIR .091DIA X 1.66LG	2
28	9117	BRKT, REAR, HANG, SUSP.	4
29	128211	BOLT, 5/16-18X.63 CARR	4
30	1498	NUT, 5/16-18 REGHEXCTRLK	4
31	58333	BRACKET, HGT ADJUST SUPPORT	1
32	180077	SCREW, 5/16-18X.75 HHC	3
33	1498	NUT, 5/16-18 REGHEXCTRLK	3
34	304766	BRACE, FENDER F-5 SUS	1
35	180079	SCREW, 5/16-18X1.00 HHC	1
36	45602	WASHER, FLAT .393X.87X.119	1
37	1498	NUT, 5/16-18 REGHEXCTRLK	1
38	180079	SCREW, 5/16-18X1.00 HHC	1
39	1498	NUT, 5/16-18 REGHEXCTRLK	1
40	301238	QUADRANT, HEIGHT ADJUST	1
41	180077	SCREW, 5/16-18X.75 HHC	2
42	1498	NUT, 5/16-18 REGHEXCTRLK	2
43	9788	HANDLE, LIFT SHORT BLK	1
44	300171	BOLT, .500X.270 HHSH 5/16-18	1
45	586418	WASHER, FLAT .500X.75X.024	1
46	44108	NUT, 5/16-18 HMDFLCTRLK	1
47	301239	PAWL, HEIGHT ADJUST	1
48	300171	BOLT, .500X.270 HHSH 5/16-18	1
49	44108	NUT, 5/16-18 HMDFLCTRLK	1
50	5435	POINTER 2-PL	1
51	1 3 8 4 7 9	WASHER, EXLK .195X.41X.03	1
52	35287	SCREW, #8-32X.38 HHWAT	1
53	303027	ROD, ACTUATOR-SHORT	1
54	58326	SPRING, HEIGHT ADJUST	1
55	58325	KNOB, HGT ADJ PUSH BUTTON	1
56	58329	GRIP .750 OD W HOLE	1
57	9148	BRKT, CABLE RETAIN	1
58	39298	PULLEY, 306X.305 NYLON	1
59	58336	BOLT, .375X.375 HHSH 1/4-20	1
60	1502	NUT, 1/4-20 REGHEXCTRLK	1
61	300341	CABLE, LIFT 2.70 F-5 20X8-8	1
62	300310	PIN, CLEVIS .310DIA+.475LG	1
63	300311	RING, RET E .31X.24	1
64	1 20375	NUT, 1/4-20 REGHEXCTRLK	1
65	9280	CLEVIS	1
66	439455	SCREW, 5/16-18X.56 PHPNMA BKPH	1
67	301581	WASHER, 344DX1.50DX.09 CU-RPH	1
68	1 2 0 3 7 3	NUT, 5/16-18 SC	1
69	39298	PULLEY, 306X.305 NYLON	1
70	300317	PIN, CLEVIS .38 DIA X 1.00 LG	1
71	8260	PIN, HAIR .091DIA X 1.66LG	1
72	9405	CLEVIS, LIFT CABLE	1
73	120372	NUT, 1/4-20 REGHEXCTRLK	1
74	39522	PIN, CLEVIS .312 X .812	1
75	127222	PIN, COVER .090/.085X.75LG	1
76	300335	LIFT COVER-39" F5	1
77	300340	SCREW, #10 X 75 HHPLAST	3

39" LAWN T R A C T O R MODEL B3560-550

FRONT WHEEL STEERING ASSEMBLY



ALL UNNUMBERED ITEMS ARE INTERCHANGABLE WITH OPPOSITE SIDE

NOTE: ALWAYS USE ORIGINAL EQUIPMENT PARTS. Use of service/replacement parts other than original equipment parts may void your warranty.

A1550C

Part No. 317094

39" LAWN TRACTOR MODEL B3560-550

key#	part#	description	qty.
		ASSY, AXLE FRONT 4/WS SUSP	1
2	300272	AXLE, FRONT	1
3	52407	SPINDLE BEARING	4
4	302926	ASSY, SPINDLE RH	1
5	315885	ASSY, SPINDLE LH	1
6	3 6 8 2 5	RING, RETEX .57X.05TRU5133-75	2
7	304590	TIE ROD ASSY 19.81 LG-W-SECTION	2
8	180128	SCREW, 3/8-16X1.75 HHC	2
9	120382	WASHER, REGSPTLK.393X.68X.10	2
10	1 4 9 9	NUT, 3/8-16 REGHEX	2
11	5 8 2 8 9	SECTOR, STEERING LF	1
12	52405	BRNG, FL ECC.510IDX.998ODX.56	1
13	1 8 0 1 7 7	SCREW, 112-13X1.50 HHC	1
14	22265	WASHER, FLAT .515X1.38X.119	2
15	1500	NUT, 1/2-13 REGHCTRK	1
16	58291	STEERING LINK	1
17	124925	NUT, 3/8-24 REGHEXJAM	2
18	5 7 1 5 8	BALL JOINT 3/8 THD SHORT STUD	1
19	21275	BALL JOINT 3/8 THD LONG STUD	1
20	46692	NUT, 3/8-24 WDFLHLK WHI7	1
21	1 2 0 3 9 6	WASHER, FLAT .531X1.06X.095	2
22	120382	WASHER, REGSPTLK.393X.68X.10	1
23	120369	NUT, 3/8-24 REGHEX	1
24	58243	SHAFT, STEERING LF	1
25	58244	PINION, STEERING LF	1
26	58274	PIN, DOWEL, 2500.OD+1.75LG	1
27	301410	BRNG, FL .752IDX1.081ODX.24	1
28	301398	WASHER, FORMED1 .135X1.53X.12	1
29	21682	WASHER, FLAT .765X1.25X.042PL	1
30	36625	RING, RETEX .57X.05TRU5133-75	1

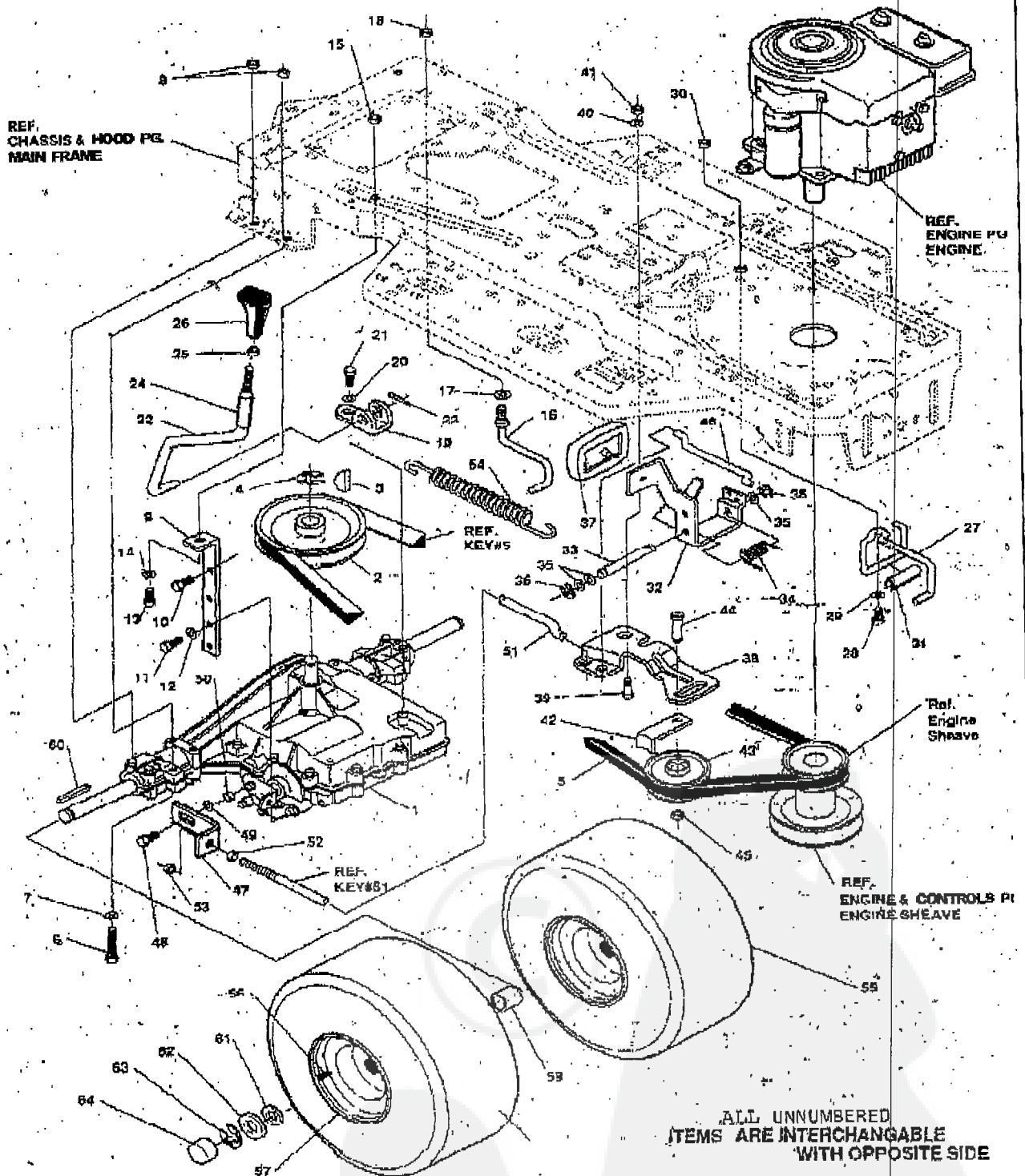
*Order Individual Parts.;

BOLD descriptions on parts page apply to box items and/or parts bag items.

NOTE: UNIT MAY REQUIRE BLOW MOLDED WHEELS FOR SHIPPING SEE BOM FOR SPECIFICS

39" LAWN TRACTOR MODEL B3560-550

MOTION DRIVE ASSEMBLY



NOTE: ALWAYS USE ORIGINAL EQUIPMENT PARTS. Use of service/replacement parts other than original equipment parts may void your warranty.

318181A

39" LAWN TRACTOR MODEL 83560-550

key#	part#	description	qty.
1		TRANSAXLE FOOT 4360-5	1
2	302745	PULLEY, V 4L 6.66 OD	1
3		KEY, WDRF 606.750X.187X.312	1
4	22053	RING, RETEX .58X.04TRU5100-62	1
5	57214	BELT, V 4L 84.75	1
6	180112	SCREW, 5/16-18X2.75 HHC GR5	4
7	120263	WASHER, FLAT .344X .69X.065	4
8	1498	NUT, 5/16-18 REGHEXCTRLK	4
9	12632	STABILIZER BRKT P920.F4150	1
10	50947	SCREW, 5/16-18X1.25 WASHTRAP	1
11	3 5 4 9	SCREW, 5/16-18X.75 WASHTRAP	1
12	120638	WASHER, HVSP TLK .328X.60X.09	1
13	122017	SCREW, 5/16-18X1.00 HHC GR2	1
14	120993	WASHER, FLAT .344X .69X.065	1
15	1498	NUT, 5/16-18 REGHEXCTRLK	1
16	57259	GUIDE, BELT 5/16-18THD	1
17	138538	WASHER, REGINTLK.320X.61X.08	1
18	1498	NUT, 5/16-18 REGHEXCTRLK	1
19	57480	BRKT, SHIFT P920-5/F4360-5&3, 955	1
20	57157	WASHER, .750X.250 SP-TRANSAXLE	1
21	5 6 2 5 5	CREW, 1/4-28X.75 NYLHHCGR8	1
22	3 0 2 7 4 3	LEVER, SHIFT FOOT 4360-5&6 LF	1
23	137185	PIN, COTTER .125 DIA X 1.00 LG	1
24	302445	TUBE, CLEAR PLASTIC	1
25	120238	NUT, 1/2-13 HEXJAM	1
26	304438	KNOB, SHIFT NOMA 1/2-13 BLK	1
27	58356	GUIDE-BELT/DHAGLINK	1
28	180079	SCREW, 5/16-18X1.00 HHC GR5	1
29	45602	WASHER, FLAT .333X .87X.119	1
30	1 4 9 8	NUT, 5/16-18 REGHEXCTRLK	1
31	303278	PLASTIC EXTRUSION-BELT GUIDE	1
32	300303	PEDAL ASSY, BRAKE/CLUTCH LF	1
33	57196	ROD, PIVOT .50 OD X 4.44 LG ZN PL	1
34	57847	SPRING, BRAKE PEDAL	1
35	2968	WASHER, FLAT .504X .75X.058	2
36	20864	RING, RET E .39X.04TRU5133-50	1
37	48180	HAD, CLUTCH BRAKE W/PRINTING	1
38	300154	ARM, IDLER TRACTION DR. LF	1
39	300793	BOLT, .625X .135 HSSH 5/16-18	1
40	45802	WASHER, FLAT .333X .87X.119	1
41	1 4 9 8	NUT, 5/16-18 REGHEXCTRLK	1
42	39659	RETAINER, STRAP BELT	1
43	3 5 3 7 4	PULLEY, IDLER V4L 3.06X .62	1
44	45892	BOLT, 3/8-16X1.50 CARR GR2	1
45	1499	NUT, 3/8-16 REGHEXCTRLK	1
46	57204	ROD, CLUTCH LF	1
47	57217	BRACKET, BRAKE ROD	1
48	20507	BOLT, 437X .156 HSSH 5/16-18	1
49	45602	WASHER, FLAT .333X .87X.119	1
50	1498	NUT, 5/16-18 REGHEXCTRLK	1
51	5 7 2 0 3	ROD, BRAKE LT 920 LF 22.25	1
52	271184	NUT, 5/16-18 HEXKEPS	1
53	1 4 9 8	NUT, 5/16-18 REGHEXCTRLK	1
54	56359	SPRING, CLUTCH .113X.756X8.75	1
55		TIRE & RIM, PU20X10.00-8TURWHI	2
56	24167	VALVE STEM	1
57	301366	WHEEL	1
58		REFER TO TIRE T R E A D PAGE	2
59	57479	SPACER, .75 X 1.25 X 1.32	2
60	3 9 6 2 8	KEY, SQUARE .1875OX.3.60LG	2
61	642	WASHER, FLAT .755X1.31X.075	2
62	42815	WASHER, FLAT .755X1.53X.07	2
63	3 6 6 2 5	R I N G, RETEX .57X.05TRU5133-75	2
64	40394	CAP, 1.500ID X 7/8LG HUB	2

* Order Individual Part.
 o indicates STANDARD HARDWARE ITEMS.

39" LAWN TRACTOR MODEL B3560-550

ENGINE & CONTROL ASSEMBLY

REF.
CHASSIS &
HOOD PG.
DASH

REF.
ENGINE PARTS

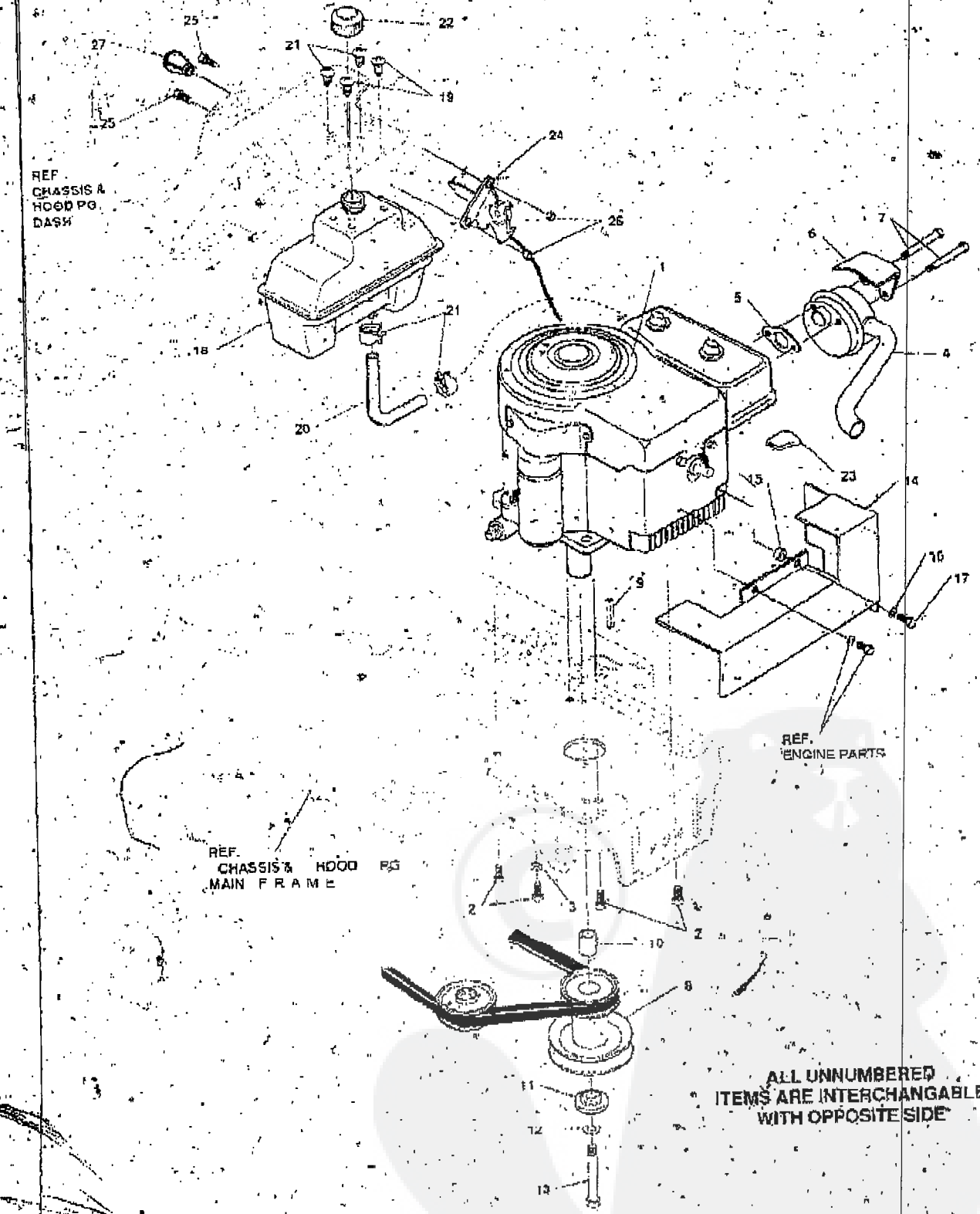
REF.
CHASSIS & HOOD PG.
MAIN FRAME

ALL UNNUMBERED
ITEMS ARE INTERCHANGABLE
WITH OPPOSITE SIDE

NOTE: ALWAYS USE ORIGINAL EQUIPMENT PARTS.
Use of service/replacement parts other than original equip-
ment parts may void your warranty.

315457E

Part No. 31709A



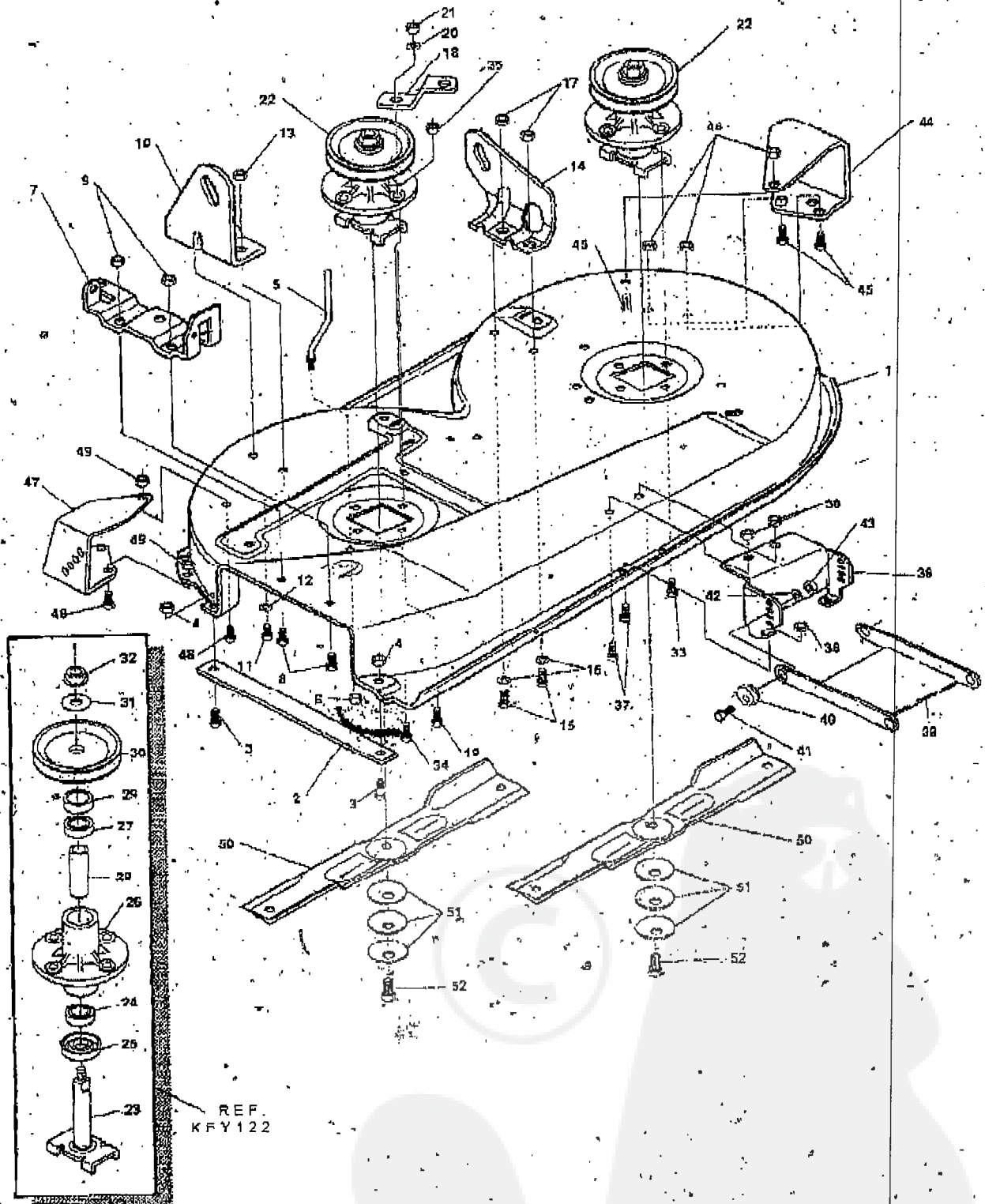
39" LAWN TRACTOR MODEL B3560-550

key#	part#	description	qty.
1	ENGINE	12 HP B&S I/C/SEE ENGINE MANUAL	1
2	050947	SCREW, 3/8-16X1.25 WAHRTAP	4
3	138489	WASHER, EXLK .384X.69X.04	1
4	305367	MUFFLER-LO TONE NELSON EXPORT	1
5	4 6 7 0 8	GASKET, MUFFLER	1
6	54767	SHIELD, HEAT, FOR ROUND MUFFLER	1
7	0173063	SCREW, 5/16-18X3.50 HMC	2
8	58361	P U L L E Y ASSY, 4.75OFFS 5.5DIA	1
9	57791	K E Y SQUARE 250SQX6.00	1
10	304246	SPACER, 1.01X1.464 ENGIN P U L L E Y	1
11	56431	WASHER, 980IDX1.380DX.437PILOT	1
12	120388	WASHER, REGSPTLK.459X.78X. 12	1
13	0 4 2 8 6 4 4	SCREW, 7/16-20X5.00 HHC	1
14	3 0 8 5 4 4	HEAT SHIELD ASSY	1
15	41462	SPACER .328 X .750 X .312	1
16	120380	WASHER, REGSPTLK.268X.49K.07	1
17	0180021	SCREW, 1/4-20X.86 HHC	1
18	314989	TANK, FUEL 1 GAL	1
18	049050	SCREW, 1/4-10X.76PHNTAP	4
20	47452	GAS LINE .25ID BULK LENGTH 6IN	2
21	4 8 6 7 2	CLAMP, FUEL LINE	1
22	46704	GAS CAP 1-1/2-7 THD	1
23	302967	ENGINE SPEED REDUCER	1
24	56534	CONTROL, THROTTLE	1
25	035291	SCREW, 10-24X.50 SLHMA	2
26	0.271166	NUT, #10-24 HEXKEP	2
27	5080A	KNOB, ROUND THROTTLE	1

*Indicates STANDARD HARDWARE ITEMS.

39" LAWN TRACTOR MODEL B3560-550

PRE-PAINTED DECK ASSEMBLY



NOTE: ALWAYS USE ORIGINAL EQUIPMENT PARTS. Use of service/replacement parts other than original equipment parts may void your warranty.

ALL UNNUMBERED ITEMS ARE INTERCHANGABLE WITH OPPOSITE SIDE

316186A

Part No. 317094

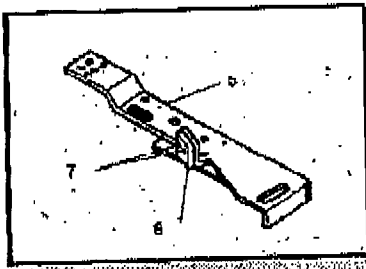
39" LAWN TRACTOR MODEL B3560-550

key#	part#	description	qty
1	308770	DECK,39"SD MOWER	1
2	57314	BAR, SKID	1
3	126216	BOLT, 5/16-18X.75 GARR	1
4	01498	NUT, 5/16-18 REGHEXCTRLK	1
5	57318	GUIDE, BELT 5/16-18 THD	1
6	01498	NUT, 5/16-18 REGHEXCTRLK	1
7	5 7 3 6 0	BRACKET, CHUTE	1
8	0120834	SCREW, 5/16-18X.50 HHC	2
9	01498	NUT, 5/16-18 REGHEXCTRLK	2
10	58260	LIFT BRACKET, REAR, RH	1
11	0180077	SCREW, 5/16-18X.75 HHC	2
12	120393	WASHER, F L A T .344X .69X.065	2
13	01498	NUT, 5/16-18 REGHEXCTRLK	2
14	58251	BRACKET, DECK LIFT REAR LH	1
15	0180077	SCREW, 5/16-18X.75 HHC	2
16	120393	WASHER, FLAT .344X .69X.065	2
17	01498	NUT, 5/16-18 REGHEXCTRLK	2
18	3 1 5 3 0 2	BRACKET, IDLER SUPPORT	1
19	0300345	SCREW, 5/16-18X1.38 W A T A P	1
20	1 2 0 3 9 3	WASHER, FLAT .344X .69X.065	1
21	0 1 4 9 8	NUT, 5/16-18 REGHEXCTRLK	1
22	56424	QUILL ASSY, 36/39/40/43	2
23	56425	SHAFT/SADDLE 36"	1
24	49562	BRNG, BALL	1
25	50616	DUST SHIELD	1
26	55547	QUILL CASTING	1
27	49562	BRNG, BALL	1
28	50618	SPACER, 3/79 LGX 669IDX.8800	1
29	51449	SPACER, 438 LGX 932ODX.672ID-PM	1
30	56390	PULLEY 26/36" QUILL	1
31	56395%	SPECIAL WASHER	1
32	01282	NUT, 7/16-20 WDFLLK	1
33	050634	SCREW, 5/16-18X.50 WAIN TAP	1
34	0300345	SCREW, 5/16-18X1.38 WATAP	1
35	0 1 4 9 8	NUT, 5/16-18 REGHEXCTRLK	1
36	58315	LIFT SUPPORT FRONT DECK	1
37	0180075	SCREW, 5/16-18X.63 HHC	4
38	01498	NUT, 5/16-18 REGHEXCTRLK	1
39	58205	LINK BRACKET, DECK FR	1
40	58 2 4 7	ADJUSTING NUT	2
41	0122017	SCREW, 5/16-18X1.00 HHC	2
42	3 5 2 1 4	WASHER, FLAT .326X1.06X.062	2
43	01498	NUT, 5/16-18 REGHEXCTRLK	1
44	300103	WHEEL BRKT, LH	1
45	0180075	SCREW, 5/16-18X .63 HHC	3
46	01498	NUT, 5/16-18 REGHEXCTRLK	1
47	3 0 0 1 0 2	WHEEL BRKT, RH	3
48	0180075	SCREW, 5/16-18X .63 HHC	3
49	01498	NUT, 5/16-18 REGHEXCTRLK	3
50	57299	BLADE, 39" STD-LIFT 19.5	2
51	2483	WASHER, 39IDX1.25DX 07 BELLVIL	6
52	039573	SCREW, 3/16-24X3.06 NYLHHC	2

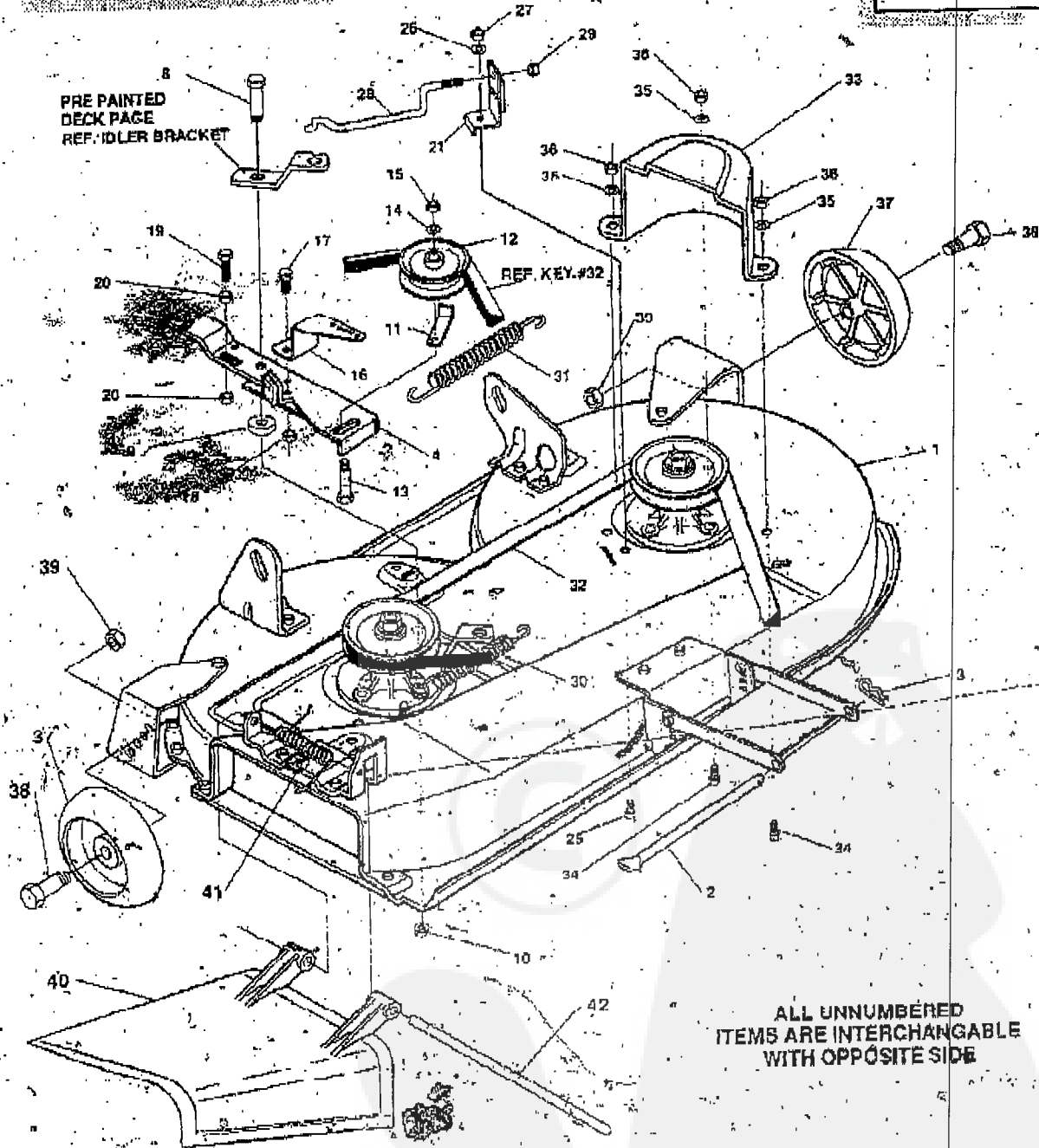
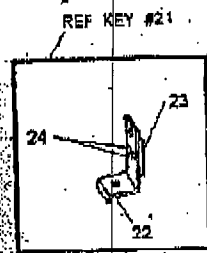
0 Indicates STANDARD HARDWARE ITEMS.

39" LAWN TRACTOR MODEL B3560-550

FINAL DECK ASSEMBLY



SEE DWG. 316186 FOR PART ASSY OF PAINTED DECK



PRE PAINTED DECK PAGE REF IDLER BRACKET

REF KEY #32

ALL UNNUMBERED ITEMS ARE INTERCHANGABLE WITH OPPOSITE SIDE

NOTE: ALWAYS USE ORIGINAL EQUIPMENT PARTS. Use of service/replacement parts other than original equipment parts may void your warranty.

31B190A

Part No 317064

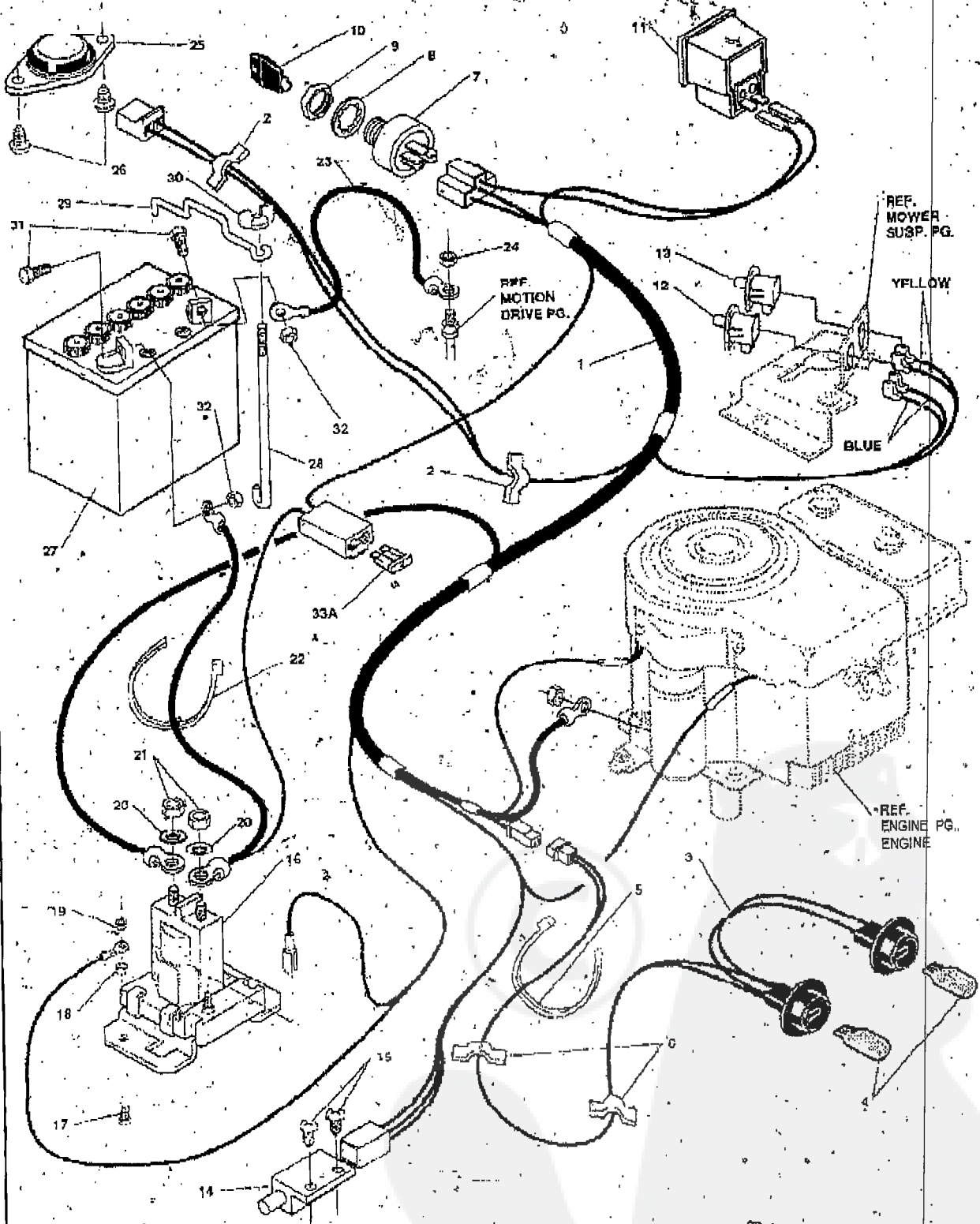
39" LAWN TRACTOR MODEL B3560-550

key#	part#	description	qty
1	316187	DECK ASSY. 2 WHEELS	1
2	58300	ROD, DECK HITCH	1
3	6260	PIN, HAIR .091DIAX1.66LG.	1
4	30049 1	BRACKET, IDLER ARM/BRAKE	1
5	9282	IDLER A R M	1
6	306973	BRAKE PAD	1
7	135624	RIVET, TRSET .185DIAX.41.	2
8	300180	BOLT, SO XI.88 HSSH 3/8-16	1
9	0905416	WASHER, FLAT .391X1.00X.125	1
10	045171	NUT, 3/8-16 HWDFL NUT	1
11	1346	BELT RETAINER 2.65 OD	1
12	300030	PULLEY, IDLER	1
13	57325	BOLT, 3/8-16X2.00 CARR	1
14	0120382	WASHER, NUT, R3/8-16/LK.393250X 10	1
15	9401	BRACKET, EXTENSION IDLER	1
16	0180077	SCREW, 5/16-18X.75 HHC	1
17	01498	NUT, 5/16-18 REGHEXCTRLK	1
18	0121954	SCREW, 1/4-20X2.00 HHC	1
19	0271172	NUT, 1/4-20 REGHEXKEPS	2
20	303247	ASSY BLADE B R A K E 36,39,45	1
21	12842	BRAKE ARM	1
22	306973	BRAKE PAD	1
23	135624	RIVET, TRSET .185DIAX.41	2
24	0120228	SCREW, 5/16-18X .63 HHC	1
25	0120393	WASHER, FLAT .344X .69X.065	1
26	01498	NUT, 5/16-18 REGHEXCTRLK	1
27	300316	ROD, BRAKE RELEASE	1
28	01502	NUT, 1/4-20 REGHEXCTRLK	1
29	35410	SPRING .071 X .82X 4.37	1
30	300473	SPRING TENSION 7.52LG+17LBAN	1
31	300580	BELT, V 5LI7.75 KEVLAR	1
32	302833	GUARD, BELT-LH PLASTIC	1
33	0120228	SCREW, 5/16-18X .63 HHC	3
34	0120393	WASHER, FLAT .344X	3
35	01498	NUT, 5/16-18 REGHEXCTRLK	3
36	302611	WHEEL, 6.000DX1.38WD	2
37	23763	BOLT, .500X1.390 HSSH 3/8-16	2
38	01498	NUT, 3/8-16 REGHXCTRLK	2
39	57818	CHUTE-36SD.39SD.459D	1
40	314975	SPRING TORSION CHUTE DEF	1
41	67217	PIVOT ROD, CHUTE	1

0 Indicates STANDARD HARDWARE ITEMS.

39" L&N TRACTOR MODEL B3560-550

ELECTRICAL ASSEMBLY



NOTE: ALWAYS USE ORIGINAL EQUIPMENT PARTS. Use of service/replacement parts other than original equipment parts may void your warranty.

ALL UNNUMBERED ITEMS ARE INTERCHANGABLE WITH OPPOSITE SIDE

315441B

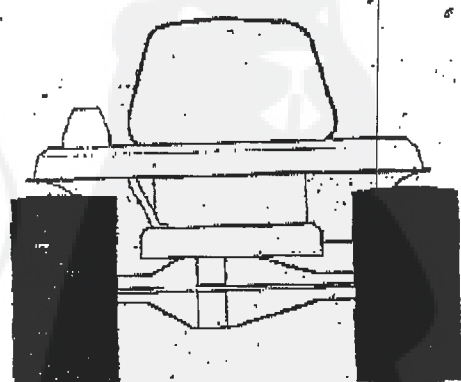
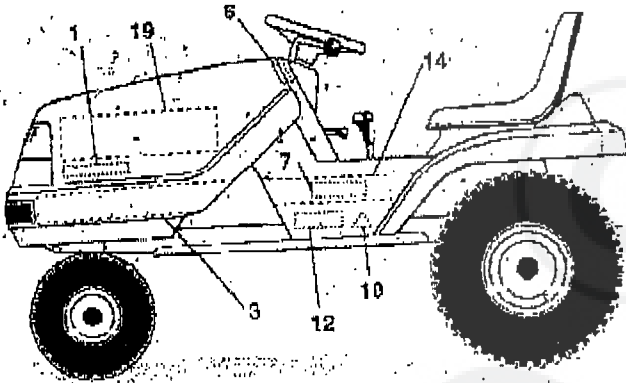
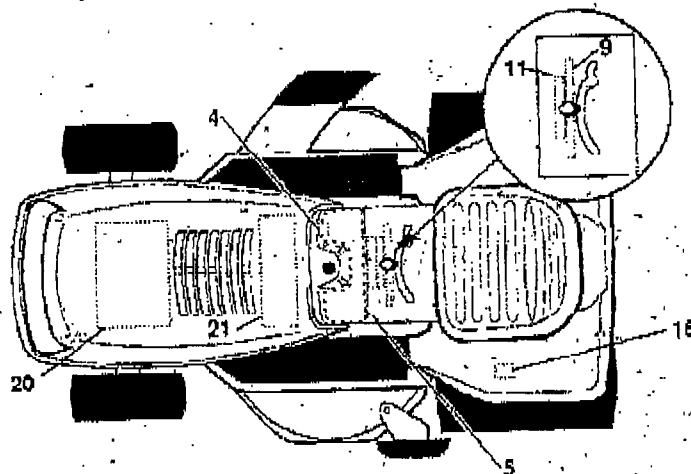
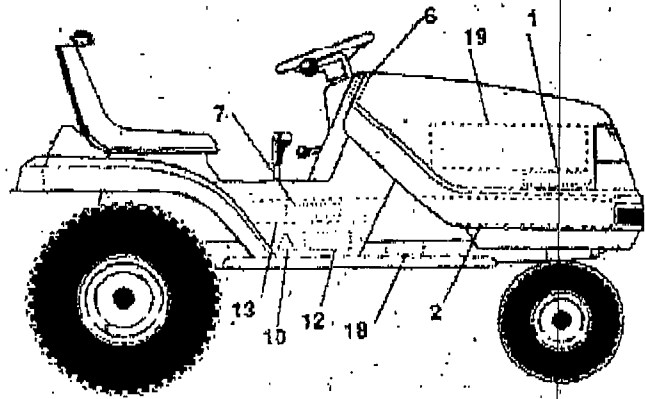
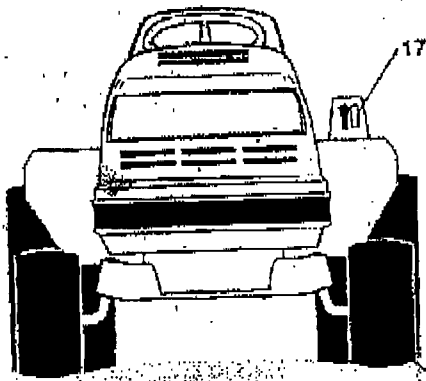
39" LAWN TRACTOR MODEL B3550-550

key#	part#	T	description	qty.
1	305432		WIREHARNES 12B&S AMM SUSP WRA	1
2	41482		PRESS CLIP, 1.380LG.255ID	2
3	303064		ASSY,LIGHT WIRE-1/4 TURN	1
4	52572		BULB, HEADLAMP	2
5	57444		TIE, CABLE BLACK NYL ON 5.62L	1
6	41482		PRESS. CLIP, 1.380LG.255ID	2
7	300687		SWITCH,IGNITION & LIGHTS	1
8	138557		WASHER, REGINTLK.640X1.1X.05	1
9	048140		NUT, 5/8-32 HXHD IGN SWIT	1
10	300626		KEY,IGNITION SWITCH	1
11	-300133		AMMETER	1
12	300220		SWITCH,SNAPMNT NO.0557.116	1
13	58277		SWITCH,SNAPMNT NC.0557.166	1
14	57211		SWITCH,SCR MNT SP NO	1
15	057220		SCREW, #12 X .50 PHPNHTAP	2
16	53716		SOLENOID V	1
17	0187745		SCREW, 1/4-20X.75 HXSEMMA	2
18	01502.		NUT, 1/4-20 REGHEXCTRLK	2
19	0271172		NUT, 1/4-20 REGHEXKEPS	1
20	136485		WASHER, EXLK.320X.61X.03	2
21	0120368		NUT, 5/16-24 REGHEX	2
22	57444		HE, CABLE BLACK NYLON-5.62L	1
23	55511		WIRE, GROUND, 12.5"	1
24	0271184		NUT, 5/16-18 HEXKEPS	1
25	57547		SWITCH, BEAT	1
26	0160505		SCREW, 1/4-20X.38PHPNHMA	2
27	302257		BATTERY 12V 7 PLATE/	1
28	57651		ROD, BATTERY	1
29	57552		ROD, BATTERY, TOP	1
30	310057		NUT, WING 1/4-20 SMALL PLASTIC	1
31	0120854		SCREW, 1/4-20X.63 HHC	2
32	0271172		NUT, 1/4-20 REGHEXKEPS	2
33A	302031.		FUSE, 15 AMP SPADE TYPE	1
33B	49211		FUSE, 15 AMP CYLINDRICAL	1

Cylindrical or Spade type fuses are included with the wire harness.

39" LAWN TRACTOR MODEL B3560-550

DECALS



NOTE: ALWAYS USE ORIGINAL EQUIPMENT PARTS.
Use of service/replacement parts other than original equipment parts may void your warranty.

ALL UNNUMBERED
ITEMS ARE INTERCHANGABLE
WITH OPPOSITE SIDE

315742A

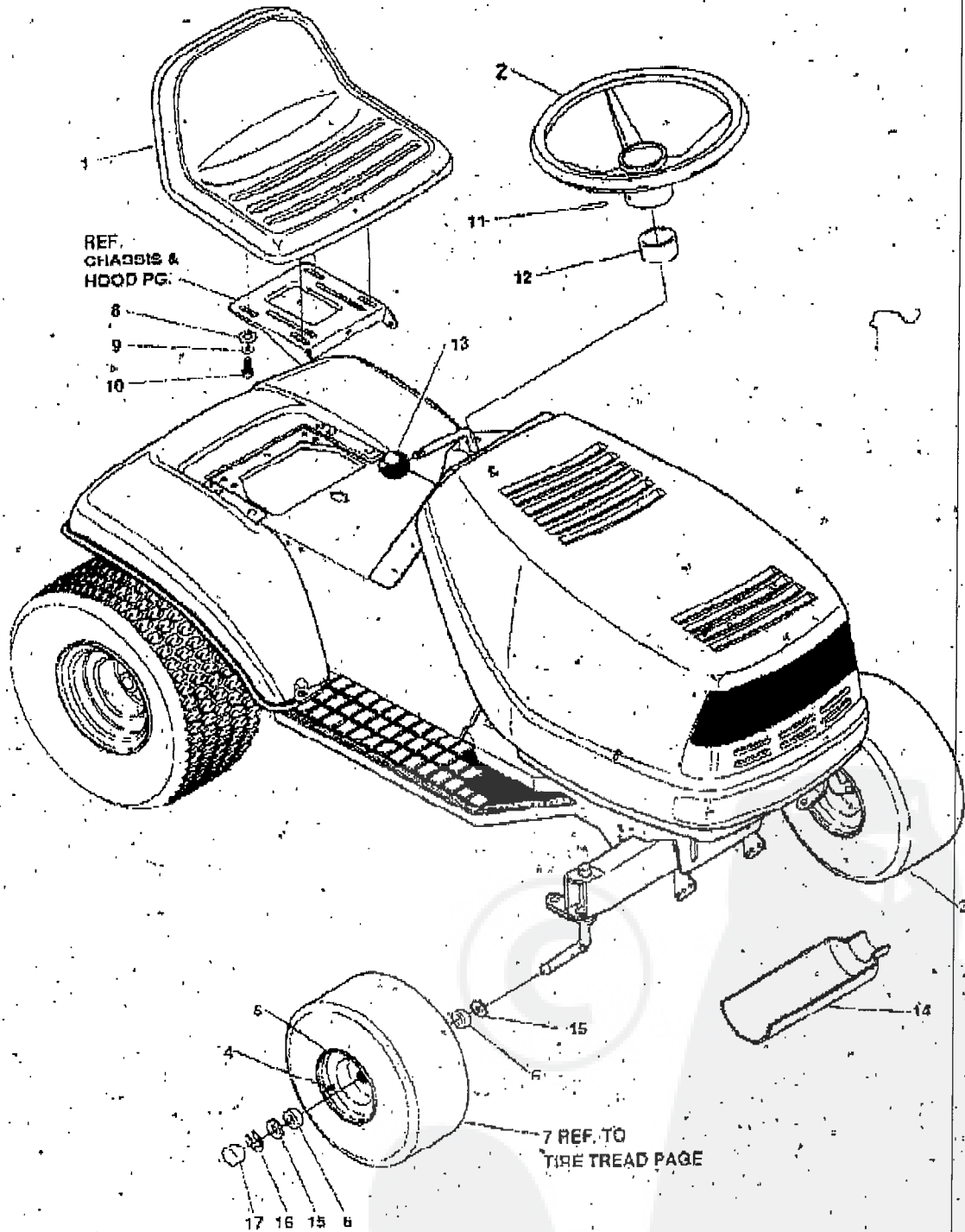
Part No 3: 7094

39" LAWN TRACTOR MODEL B3560-55D

key#	part#	description	qty.
1	311196	NAMEPLATE AL-KO	2
2	311856	DECAL, HOOD H-14 RH	1
3	311857	DECAL, HOOD H-14 LH	1
4	68900	DECAL, BLADE ENGAGE EUROPE	1
5	307038	DECAL, DASH	1
6	313208	DECAL, DASH WEAR STRIP	2
7	57105	NAMEPLATE 12/39	2
8		REFERENCE ONLY	
9	301104	DECAL, CONSOLE TOP SHIFT 5-SP.	1
10	305770	DECAL, CAUTION TRIANGLE EUROPE	2
11	307383	DECAL, INSTR. CONSOLE TOP ENGL	1
12	310553	DECAL, DANGER ENGLISH	2
13	311844	DECAL, CONSOLE LF RH	1
14	311845	DECAL, CONSOLE LF LH	1
15		REFERENCE ONLY	
16	68901	DECAL, BLADE HEIGHT ADJ. EUROPE	1
17	301897	DECAL, LIFT DECK BLADE HEIGHT	1
18	68903	DECAL, BRAKE/CLUTCH EUROPE	2
19	305603	PAD, 18 X 6 FOAM HOOD	1
20	307276	PAD, 1.5 X 7 FOAM HOOD	1
21	307277	PAD, 12 X 4 FOAM HOOD	1

39" LAWN TRACTOR MODEL B3560-550

CUSTOMER ASSEMBLY



NOTE: ALWAYS USE ORIGINAL EQUIPMENT PARTS.
 Use of service/replacement parts other than original equipment parts may void your warranty.

ALL UNNUMBERED ITEMS ARE INTERCHANGABLE WITH OPPOSITE SIDE

315856D

Part No. 317C94

39" LAWN TRACTOR MODEL B3560-550

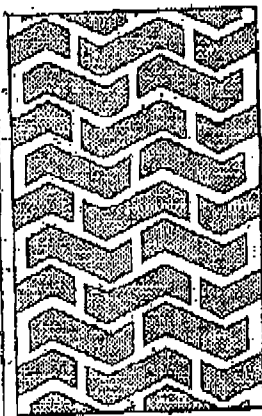
CUSTOMER ASSEMBLY VIEW

315857 PARTS BAG ASSY QTY1

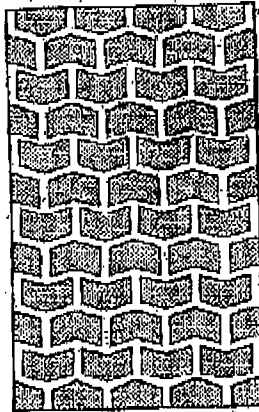
key#	part#	description	qty
1	57455	SEAT,550 MICH.	1
2	301261	WHEEL, STEERING, 13"	1
3	302828	TIRE & RIM, PU 15X6.0X6 TURF	2
4	24167	VALVE STEM	1
5	39929	WHEEL WBRG	1
6	38970	BEARING FL1.380D+.753ID PM	2
7		REFER TO TIRE TREAD PAGE	
8	120393	WASHER, FLAT .344X.69X.065	4
9	120638	WASHER, HVSP TLK .328X.60X.09	4
10	122007	SCREW, 5/16-18X.75 HHC	4
11	458378	PIN, SPRING,250DIA X2.00LG HVPL	1
12	57212	COVER, STEERING SHAFT	1
13	55514	SHIFT KNOB	1
14	54873	TROUGH, OIL DRAIN	1
15	642	WASHER, FLAT .755X1.31X.075	4
16	36625	RING, RETEX .57X.05TRU5133-75	2
17	40394	CAP, 1.500ID X.778LG HUB	2

30" LAWN TRACTOR MODEL B3080-020

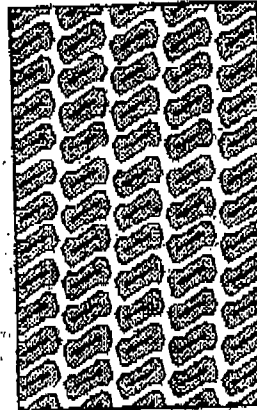
TREAD PATTERNS



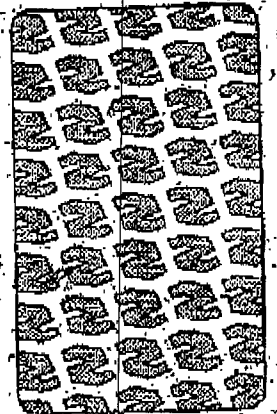
"A"



"B"



"C"



"D"

TIRE SIZE

TIRE SIZE	"A"	"B"	"C"	"D"
11 X 4.00 - 5	42295			
13 X 5.00 - 6	41060			
15 X 6.00 - 6	301140	316702	39830	313952
16 X 6.50 - 8		41081		314539
18 X 6.50 - 8				
18 X 9.50 - 8		316701		313950
20 X 8.00 - 8	314584			
20 X 10.00 - 8	58276			313565
20 X 10.00 - 10		55893		
23 X 9.50 - 12	314370			
23 X 9.50 - 12		53655		

ACCESSORIES

Contact the dealer where your tractor was purchased for the available accessories. If you are unable to contact the dealer, write to the address on the front cover of this manual.

Rear Engine Rider

Model	Description
5708-16	Bagger - Fits 32" Side Discharge
5708-17	Bagger - Fits 36" Side Discharge
5709-02	Front Weight Box - holds 35 lbs.
5648-16	Lawn Sweeper w/dump Release

Lawn Tractor

Model	Description
5708-22	Bagger - Fits 30" Side Discharge
5708-19	Bagger - Fits 36", 39", 39" & 45" Side Discharge
5705-04	36" Two-Stage Snowblower - Fits 36", 38", 39", & 45" Side Discharge
5661-06	42" Snowblade - Fits 36", 38", 39", & 45"
5592-00	Tire Chains - 18" x 6.50"
5585-00	Tire Chains - 18" x 9.50" & 20" x 5"
5672-01	Wheel Weights - Front - 1 pr. w/mtg. hdw. - Fits 15" tires
5673-02	Wheel Weights - Rear - 1 pr. w/mtg. hdw. - Fits 18" & 20" tires
5709-03	Front Weights - Fits 30" & 32" Side Discharge
5648-16	Lawn Sweeper w/dump Release

Garden Tractor - Light Ground Engaging

Model	Description
5708-13	Bagger - Fits 36", 38", 39" & 45" Side Discharge
5705-04	36" Two-Stage Snowblower - Fits 36", 38", 39", & 45"
5661-06	42" Snowblade - Fits 36", 38", 39", & 45"
5672-01	Wheel Weights - Front - 1 pr. w/mtg. hdw. - Fits 15" tires
5673-02	Wheel Weights - Rear - 1 pr. w/mtg. hdw. - Fits 18" & 20" tires
5648-16	Lawn Sweeper w/dump Release
5667-02	Sleeve Hitch - w/lift bar - Fits 45"
5668-01	Adaptor (sleeve hitch) for use w/23" tires
5706-00	Tire Chains - 20" x 10"
5671-00	Tire Chains - 23" x 9.50"
5672-02	Wheel Weights - Front - 1 pr. w/mtg. hdw. - Fits 16" tires
5673-00	Wheel Weights - Rear - 1 pr. w/mtg. hdw. - Fits 23" tires
5674-01*	10" One Bottom Moldboard Plow
5675-01*	Cultivator - 7 row - Adj. 6" - 42" width
5676-01*	Disc Harrow - 8" & 11" disc - Adj. width & disc angle
5677-02*	Tiller - 5 H.P. Self-Powered - 28" width

Four Wheel Steer

Model	Description
5708-14	Bagger - Fits 40" & 46" Side Discharge
5705-05	42" One-Stage Snowblower - Fits 40" & 46"
5661-07	48" Snowblade - Fits 40" & 46"
5709-04	Rear Weight Box for 40" & 46"
5648-16	Lawn Sweeper w/dump Release
5706-00	Tire Chains - 20" x 10"
5671-00*	Tire Chains - 23" x 9.50"
5672-02	Wheel Weights - Front - 1 pr. w/mtg. hdw. - Fits 16" tires
5673-00	Wheel Weights - Rear - 1 pr. w/mtg. hdw. - Fits 23" tires
5672-01	Wheel Weights - Front - 1 pr. w/mtg. hdw. - Fits 15" tires
5673-02	Wheel Weights - Rear - 1 pr. w/mtg. hdw. - Fits 18" & 20" tires

Four Wheel Steer Garden Tractor

Model	Description
5667-04	Sleeve Hitch - w/lift bar - Fits 45"
5674-01*	10" One Bottom Moldboard Plow
5675-01*	Cultivator - 7 row - Adj. 6" - 42" width
5676-01*	Disc Harrow - 8" & 11" Disc - Adj. width & disc angle
5677-02*	Tiller - 5 H.P. Self-Powered - 28" width
5648-16	Lawn Sweeper w/dump Release

*Requires a sleeve hitch
Part No. 317054