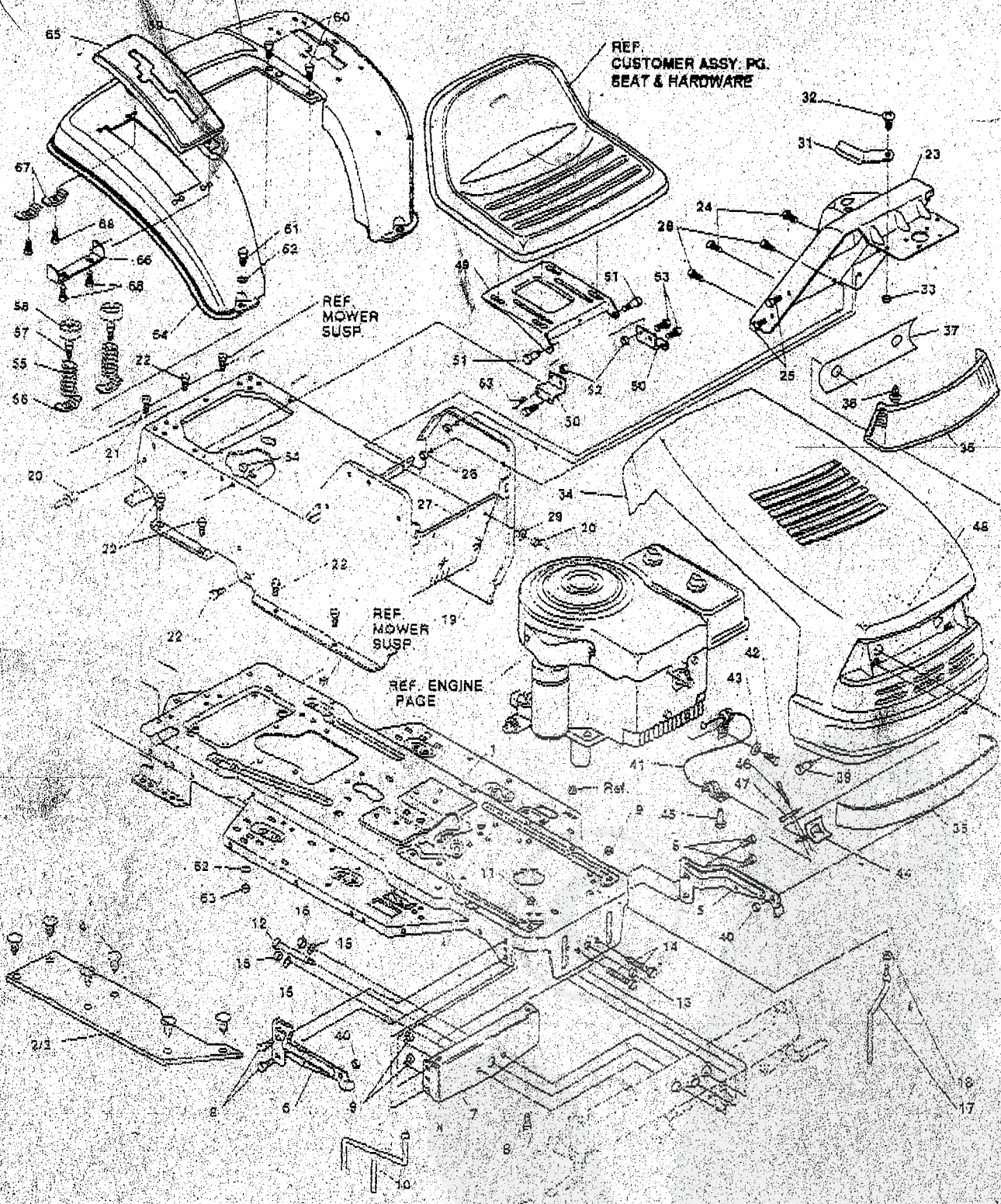


39' LAWN TRACTOR MODEL B3560-610

CHASSIS & HOOD ASSEMBLY



NOTE: ALWAYS USE ORIGINAL EQUIPMENT PARTS. Use of service/replacement parts other than original equipment parts may void our warranty.

REF. STEERING PG. FRONT AXLE ASSY.

ALL UNNUMBERED ITEMS ARE INTERCHANGABLE WITH OPPOSITE SIDE.

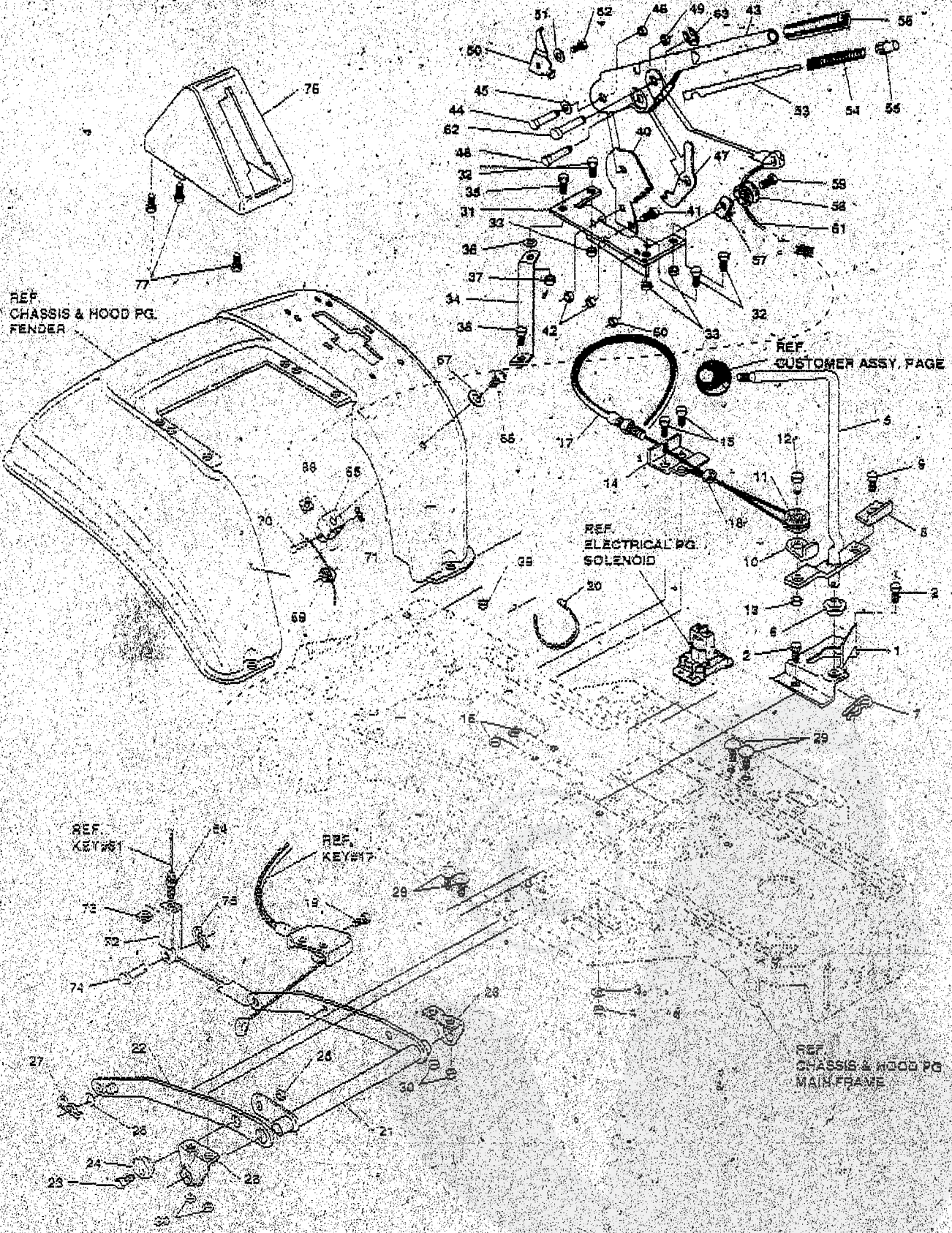
9" LAWN TRACTOR MODEL B3560-610

key#	part#	description	qty.
1	315914	FRAME, LF MAIN P920/F4360	1
2	310005	FOOTPAD, LH	1
3	310006	FOOTPAD, RH	1
4	309235	FASTENER, RAT-OHET	12
5	12653	GRILLE BRKT, LH	1
6	12654	GRILLE BRKT, RH	1
7	55361	BRACKET, FRONT AXLE	1
8	55030	SCREW, 5/16-18X.75WDFLLK	5
9	55273	NUT, 5/16-18 HXWDFLLK	5
10	300440	GUIDE, BELT RIDER	1
11	01498	NUT, 5/16-18 REGHEXCTRLK	1
12	309207	BOLT, 625X2.180 HSSH	1
13	0309008	NUT, 1/2-13 REGHCTRLK	1
14	0122207	SCREW, 3/8-16X3.00 HHC	2
15	2483	WASHER, 39IDX1.25DX.07 BELLVIL	2
16	01498	NUT, 3/8-16 REGHXCTRLK	2
17	300535	GUIDE, SHORT BELT RIDER	1
18	0124624	NUT, 5/16-18 HEXJAM	1
19	310638	CONSOLE	1
20	45763	RIVET, POP, 187DIA X .450LG	1
21	035497	SCREW, 5/16-18X .50 WAHHTAP	1
22	0995546	SCREW, 1/4-20X .50 WAHHTAP	12
23	304880	DASHBOARD	1
24	0995346	SCREW, 1/4-20X .50 WAHHTAP	2
25	0995338	SCREW, 1/4-20X .63 HHWATAP	4
26	050352	NUT, 1/4-20 WDFLLK TOPLOCK	4
27	012306	BAFFLE CONSOLE	1
28	0300314	SCREW, 1/4-20X .88WAHHTAP	2
29	0120092	WASHER, FLAT .281X .63X.065	2
30	01502	NUT, 1/4-20 REGHEXCTRLK	2
31	013022	GUIDE, HOOD	2
32	180018	SCREW, 1/4-20X .62 HHC	1
33	01336	NUT, 1/4-20 WDFLLK	1
34	304026	HOOD	1
35	005736	BUMPER ASSY	1
36	002970	LENS, HEADLAMP	1
37	008492	FOIL, LENS REFLECTOR	1
38	057566	SCREW, 10-16X .50 DRILLTITE	2
39	55676	BOLT, .375X .580 HSSH 5/16-18	2
40	498	NUT, 5/16-18 REGHEXCTRLK	2
41	010749	LANYARD, HOOD	1
42	0190018	SCREW, 1/4-20X .62 HHC	1
43	020380	WASHER, REGSPTLK.263X 49X.07	1
44	310801	ANCHOR, HOOD LANYARD	1
45	138077	PIN, CLEVIS .672LG X 248DIA	1
46	121222	PIN, COTTER .090/.086X .75LG	1
47	121223	PIN, COTTER .0825X .75LG	1
48	001452	FOIL, HEAT REFLECTOR	1
49	59387	PLATE, SEAT	1
50	010660	BRACKET, SEAT SUPPORT	1
51	43301	BOLT, .437X .156 HSSH 5/16-18	2
52	01498	NUT, 5/16-18 REGHEXCTRLK	2
53	0120228	SCREW, 5/16-18X .63 HHC	4
54	01498	NUT, 5/16-18 REGHEXCTRLK	4
55	07163	SPRING, SEAT 2.63LG X 1.49OD	2
56	1341	CLAMP, SPRING 1.17"ID	2
57	044811	SCREW, 1/4-20X .75 HXWATAP	2
58	05907	COVER, SEAT SPRING 1.51DX1.0LG	2
59	012405	FENDER	1
60	0995346	SCREW, 1/4-20X .50 WAHHTAP	4
61	0122017	SCREW, 5/16-18X1.00 HHC	10
62	0448383	WASHER, FLAT .375X .89X.082	10
63	01498	NUT, 5/16-18 REGHEXCTRLK	10
64	55021	TRIM, STRIP BLACK	75IN
65	011209	COVER, PLASTIC	1
66	013213	BRKT COVER F5 FNDR	1
67	1341	CLAMP, SPRING 1.17"ID	2
68	0311331	SCREW, 1/4-15X .44/.53 HILOHWA	4
69	019422	OPERATORS MANUAL (NOT ILLUSTRATED)	1
70	017270B	PARTS MANUAL (NOT ILLUSTRATED)	1

STANDARD HARDWARE ITEMS

39" LAWN TRACTOR MODEL B3560-610

MOWER SUSPENSION ASSEMBLY



NOTE: ALWAYS USE ORIGINAL EQUIPMENT PARTS. Use of service/replacement parts other than original equipment parts may void your warranty.

ALL UNNUMBERED ITEMS ARE INTERCHANGABLE WITH OPPOSITE SIDE

3-5626

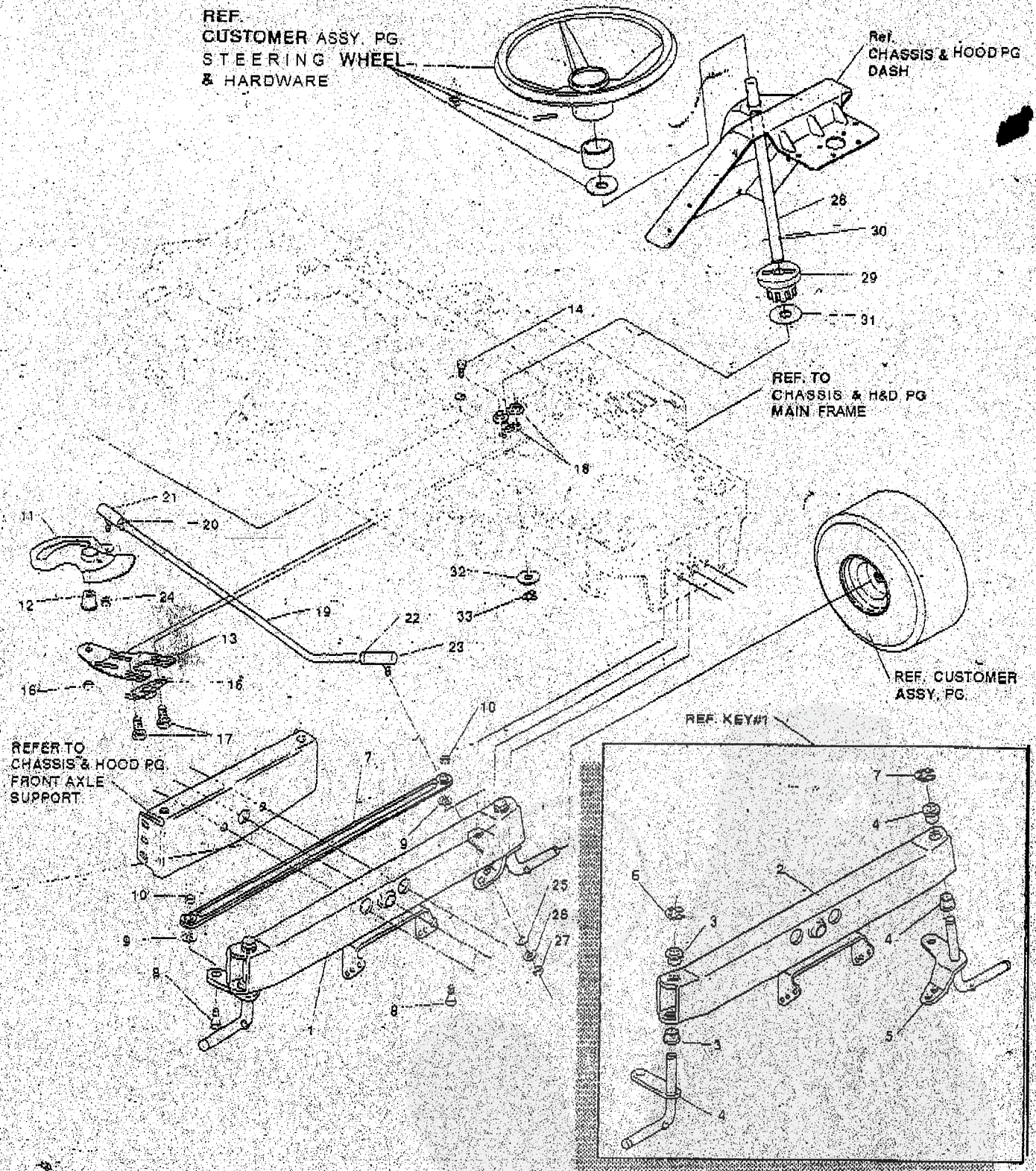
9" LAWN TRACTOR MODEL B3560-610

key#	part#	description	QTY
1	9402	BRACKET, CLUT-ENGAGE LEVER	1
2	180079	SCREW, 5/16-18X1.00 HHC	2
3	120393	WASHER, FLAT, 344X.89X.065	2
4	1498	NUT, 5/16-18 REGHEXCTRLK	2
5	304791	ASSY, CLUTCH LEVER	1
6	50148	BEARING, FL, 503IDX.6280D	1
7	8260	PIN, HAIR, .091 DIA X 1.66LG	1
8	318341	BRACKET, SWITCH ENGAGE	1
9	95498	SCREW, 5/16-18X.75 WAHTAP	1
10	1288	BRKT, CABLE RETAINER	1
11	39298	PULLEY, .906X.305 NYLON	3
12	58336	BOLT, .375X.375 HSSH 1/4-20	1
13	1502	NUT, 1/4-20 REGHEXCTRLK	1
14	9397	BRKT, FRAME CABLE	1
15	180020	SCREW, 1/4-20X.75 HHC	2
16	1502	NUT, 1/4-20 REGHEXCTRLK	2
17	301503	ASSY, CABLE, BLADE ENGAGE	1
18	120613	NUT, 1/4-28 HUAM	1
19	95498	SCREW, 5/16-18X.75 WAHTAP	1
20	57444	TIE, CABLE SLACK NYLON	1
21	9186	ASSY, REAR LIFT	1
22	9186	ASSY, LINK, RIGHT SIDE	1
23	180079	SCREW, 5/16-18X1.00 HHC	1
24	58247	ADJUSTING NUT	1
25	1498	NUT, 5/16-18 REGHEXCTRLK	1
26	120396	WASHER, FLAT, .631X1.06X.065	2
27	8260	PIN, HAIR, .091 DIA X 1.66LG	2
28	9117	BRKT, REAR, HANG, SUSP	2
29	126211	BOLT, 5/16-18X.53 CARB	4
30	1498	NUT, 5/16-18 REGHEXCTRLK	4
31	58333	BRACKET, HGT/ADJUST SUPPORT	1
32	180077	SCREW, 5/16-18X.75 HHC	3
33	1498	NUT, 5/16-18 REGHEXCTRLK	3
34	307368	BRACE, FENDER	1
35	180079	SCREW, 5/16-18X1.00 HHC	1
36	45602	WASHER, FLAT, .303X.87X.119	1
37	1498	NUT, 5/16-18 REGHEXCTRLK	1
38	180079	SCREW, 5/16-18X1.00 HHC	1
39	1498	NUT, 5/16-18 REGHEXCTRLK	1
40	301238	QUADRANT, HEIGHT ADJUST	1
41	180077	SCREW, 5/16-18X.75 HHC	2
42	1498	NUT, 5/16-18 REGHEXCTRLK	2
43	5788	HANDLE, LIFT, SHORT BLK	1
44	300171	BOLT, .500X.270 HSSH 5/16-18	1
45	556418	WASHER, FLAT, .506X.76X.024	1
46	14108	NUT, 5/16-18 HWDFLDTRK	1
47	301236	PAWL, HEIGHT ADJUST	1
48	300171	BOLT, .500X.270 HSSH 5/16-18	1
49	14108	NUT, 5/16-18 HWDFLDTRK	1
50	9485	POINTER, Z-PL	1
51	138479	WASHER, EXLK, 150X.41X.03	1
52	35287	SCREW, #8-32X.38 HHWAT	1
53	303027	ROD, ACTUATOR, SHORT	1
54	30626	SPRING, HEIGHT ADJUST	1
55	82526	KNGB, HGT ADJ, PUSH BUTTON	1
56	58329	GRIP, .750" OD W/ HOLE	1
57	9145	BRKT, CABLE RETAIN	1
58	39298	PULLEY, .906X.305 NYLON	3
59	58336	BOLT, .375X.375 HSSH 1/4-20	3
60	1602	NUT, 1/4-20 REGHEXCTRLK	1
61	300341	CABLE, LIFT 21.70 F-5 20X6-8	1
62	300310	PIN, CLEVIS 310DIA X .475LG	1
63	300311	RING, RET, 5, 31X.24	1
64	120375	NUT, 1/4-20 REGHEX	1
65	8239	CLEVIS	1
66	459455	SCREW, 5/16-18X.36 PHENMA SKPH	1
67	301551	WASHER, 344IDX1.50DX.09 CU BPH	1
68	120375	NUT, 5/16-18 SO	1
69	39298	PULLEY, .906X.305 NYLON	1
70	300317	PIN, CLEVIS, .38 DIA X 1.00 LG	1
71	8260	PIN, HAIR, .091 DIA X 1.66LG	1
72	9406	CLEVIS, LIFT CABLE	1
73	120372	NUT, 1/4-20 REGSD	1
74	39522	PIN, CLEVIS 312 X .812	1
75	121222	PIN, COUPLER, .950/.966X.76LG	1
76	300385	LIFT COVER, 39" F5	1
77	300340	SCREW, #10 X .75 RHPLAST	3

0 STANDARD HARDWARE ITEMS.

39" LAWN TRACTOR MODEL B3560-610

FRONT WHEEL STEERING ASSEMBLY



REFER TO CHASSIS & HOOD PG. FRONT AXLE SUPPORT

REF. TO CHASSIS & H&D PG. MAIN FRAME

REF. CUSTOMER ASSY. PG.

REF. KEY#1

ALL UNNUMBERED ITEMS ARE INTERCHANGABLE WITH OPPOSITE SIDE

NOTE: ALWAYS USE ORIGINAL EQUIPMENT PARTS. Use of service/replacement parts other than original equipment parts may void your warranty.

315654E

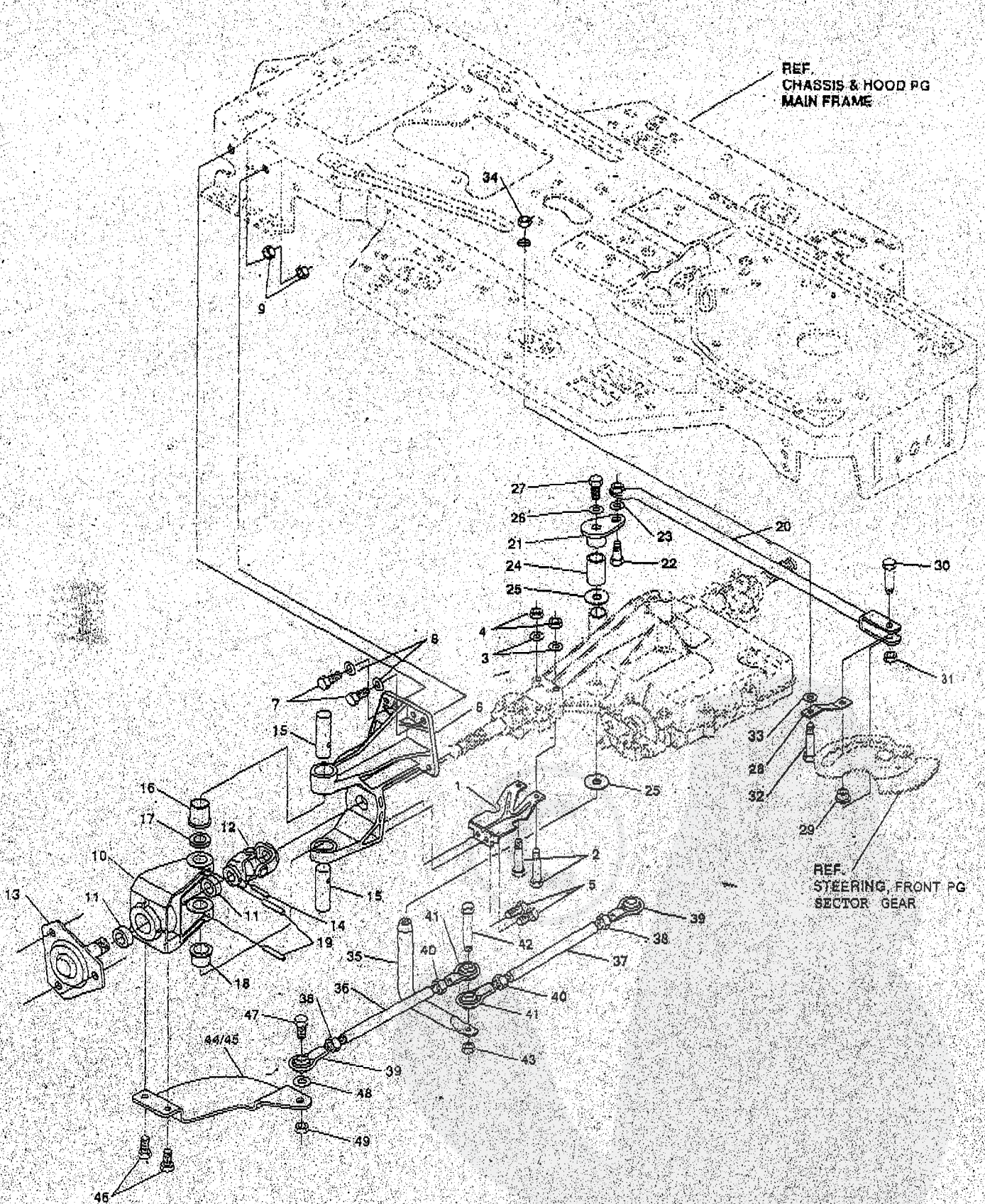
39" LAWN TRACTOR MODEL B3560-610

key#	part#	description	qty.
1		AXLE, FRONT ASSY SUS 4WS	1
2	300272	ASSY, FRONT AXLE SUS	1
3	52407	SPINDLE BEARING	4
4	302926	ASSY, SPINDLE R H	1
5	315886	ASSY, SPINDLE, LH	1
6	36625	RING, RETEX .57X.05TRU5133-75	2
7	304590	TIE ROD ASSY 19.81LG W-SECTION	1
B	0180128	SCREW, 3/8-16X1.75 HHC.	2
9	120362	WASHER, REGSPTLK.393X.66X.10	2
10	0 120377	NUT, 3/8-16 REGHEX	2
11	313634	ASSY SECTOR GEAR	1
12	313629	BUSHING, SECTOR GEAR	1
13	313672	SUPPORT, SECTOR GEAR	1
14	0315196	SCREW, 1/2-20X3.00 HHC	1
15	0274664	NUT, 1/2-20 REGHXCTRLK	1
16	302498	BEARING-FLANGE 0.5 BORE	1
17	056030	SCREW, 5/16-18X.75WDFLLK	2
18	055273	NUT, 5/16-18 HXWDFLLK	2
19	302863	DRAG LINK .625 DIR	1
20	0124925	NUT, 3/8-24 REGHEXJAM	1
21	57159	BALLJOINT 3/8 THD SHORT STUD	1
22	0272123	NUT, 7/16-20 HXJAM	1
23	302865	JOINT, BALL ASSY 7/16-20	1
24	0 4 6 6 9 2	NUT, 3/8-24 WDFLHLK WHIZ	1
25	120336	WASHER, 5/31X1.06X.095	2
26	120383	WASHER, REGSPTLK.459X.78X.12	1
27	0271506	NUT, 7/16-20 REGHX	1
2	8 313699	SHAFT, STEERING	1
29	3023 14	PINION STEERING	1
30	302524	PIN DOWEL STRERO L T	1
31	315194	WASHER, FLAT 1.38X.51X.043	1
32	2968	WASHER, FLAT .504X.75X.059	1
33	20864	RING, RET E.39X.04TRU5133-50	1

Order Individual Parts
 0 Indicates STANDARD HARDWARE ITEMS.

39" LAWN TRACTOR MODEL B3560-610

REAR WHEEL STEERING ASSEMBLY



ALL UNNUMBERED ITEMS ARE INTERCHANGABLE WITH OPPOSITE SIDE

NOTE: ALWAYS USE ORIGINAL EQUIPMENT PARTS. Use of service/replacement parts other than original equipment parts may void your warranty.

315291C

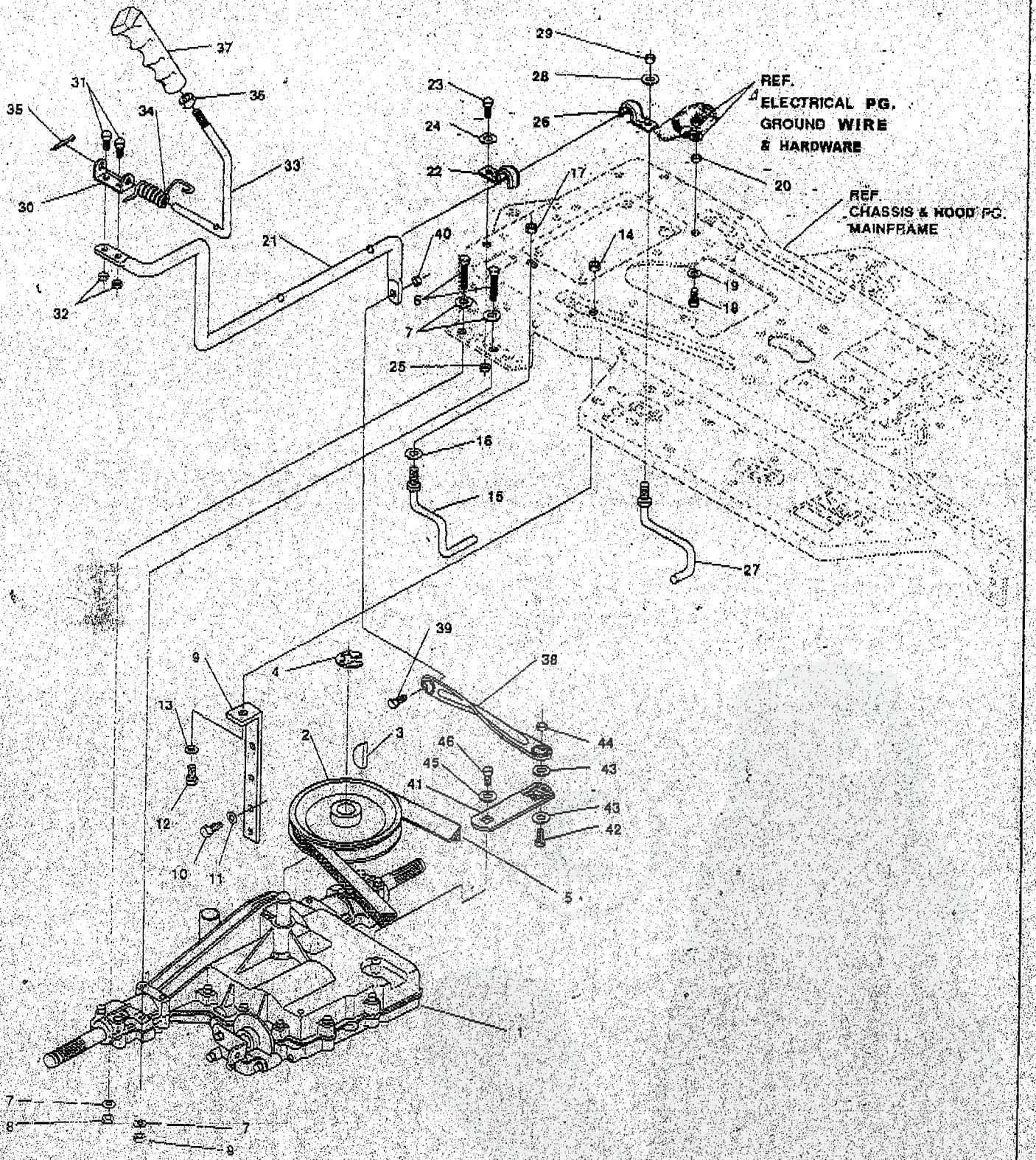
LAWN TRACTOR MODEL B3560-610

key#	part#	description	qty.
1	306001	BRKT X-AXLE, MTG	2
2	100089	OSCREW, 5/16-18X2.25 HHC	4
3	120393	WASHER, FIAT .344X .69X.065	4
4	1498	Ø NUT, 5/16-18 REGHEXCTRLK	4
5	451814	OSCREW, 5/16-18X .63HWATAP	4
6	314267	BRCKT, STRG PIVOT W/DRILL HOLES	2
7	122017	VSCREW, 5/16-18X1.00 HHC	8
8	120393	WASHER, FLAT .344X .69X.065	8
9	1498	Ø NUT, 5/16-18 REGHEXCTRLK	8
10	12465	BRACKET, STR PIVOT	2
11	12325	BEARING	4
12	12290	U - JOINT ASSEMBLY	2
13	315480	HUB ASSEMBLY GREY 861	2
14	36311	PIN, GROOVED .250 DIA X 1.50 LG	2
15	12289	PIN, STEERING HINGE	4
16	12288	BUSHING, SHOULDERED (OILITE	2
17	21882	WASHER, FLAT .765X1.25X.042 PL	2
18	12321	BUSHING, SHOULDERED (OILITE	2
19	456722	PIN, SPRING .250 DIA X 1.50 LG HVPL	4
20	313628	ROD ASM., DRAGLINK	1
21	308719	PIVOT, STEERING	1
22	12319	BOLT, .562X .340 HHSM 3/8-24	1
23	120394	WASHER, FLAT .408X .81X.065	1
24	304115	SPACER, STEERING SHAFT	1
25	25177	WASHER, FLAT .765X1.19X.048	2
26	45602	WASHER, FLAT .333X .87X.119	1
27	421051	OSCREW, 5/16-24X1.00 HHC	1
28	302594	ARM ROLLER SWING 4 W	1
29	304116	CAM YOKE ROLLER	1
30	304122	SHOULDER BOLT CAM ROLLER	1
31	274654	Ø NUT, 1/2-20 REGHXCTRLK	1
32	302588	SHOULD BOLT CAM FOLLOWER	1
33	120394	WASHER, F W T .406 X .81X.065	1
34	412349	Ø NUT, 3/8-24 HXCTRLK	1
35	308720	SHAFT, STEERING PIVOT	1
36	308447	ROD, TIE 1/2" D X 8.00 LG	1
37	308446	ROD, TIE 1/2" D X 9.5 LG	1
38	308399	Ø NUT, 3/8-24 LH THD REGHJAM	2
39	308384	ROD, TIE END LH 3/8-24 EURO	2
40	124923	Ø NUT, 3/8-24 REGHEXJAM	2
41	304260	ROD, TIE END RH	2
42	181646	OSCREW, 3/8-24X1.75 HHC	1
43	412349	Ø NUT, 3/8-24 HXCTRLK	1
44	306217	ARM RW STR ERO RH	1
45	306218	ARM RW STR ERO LH	1
46	39728	OSCREW, 3/8-16X .75WAHHTAP BK	4
47	181639	OSCREW, 3/8-24X1.25 HHC	2
48	120382	WASHER, REGSPTLK .393X .68X.10	2
49	412349	Ø NUT, 3/8-24 HXCTRLK	2

Ø Indicates STANDARD HARDWARE ITEMS

39" LAWN -TRACTOR MODEL B3560-610

MOTION DRIVE ASSEMBLY



NOTE: ALWAYS USE ORIGINAL EQUIPMENT PARTS.
Use of service/replacement parts other than original equipment parts may void your warranty.

**ALL UNNUMBERED
ITEMS ARE INTERCHANGABLE
WITH OPPOSITE SIDE**

315560-0

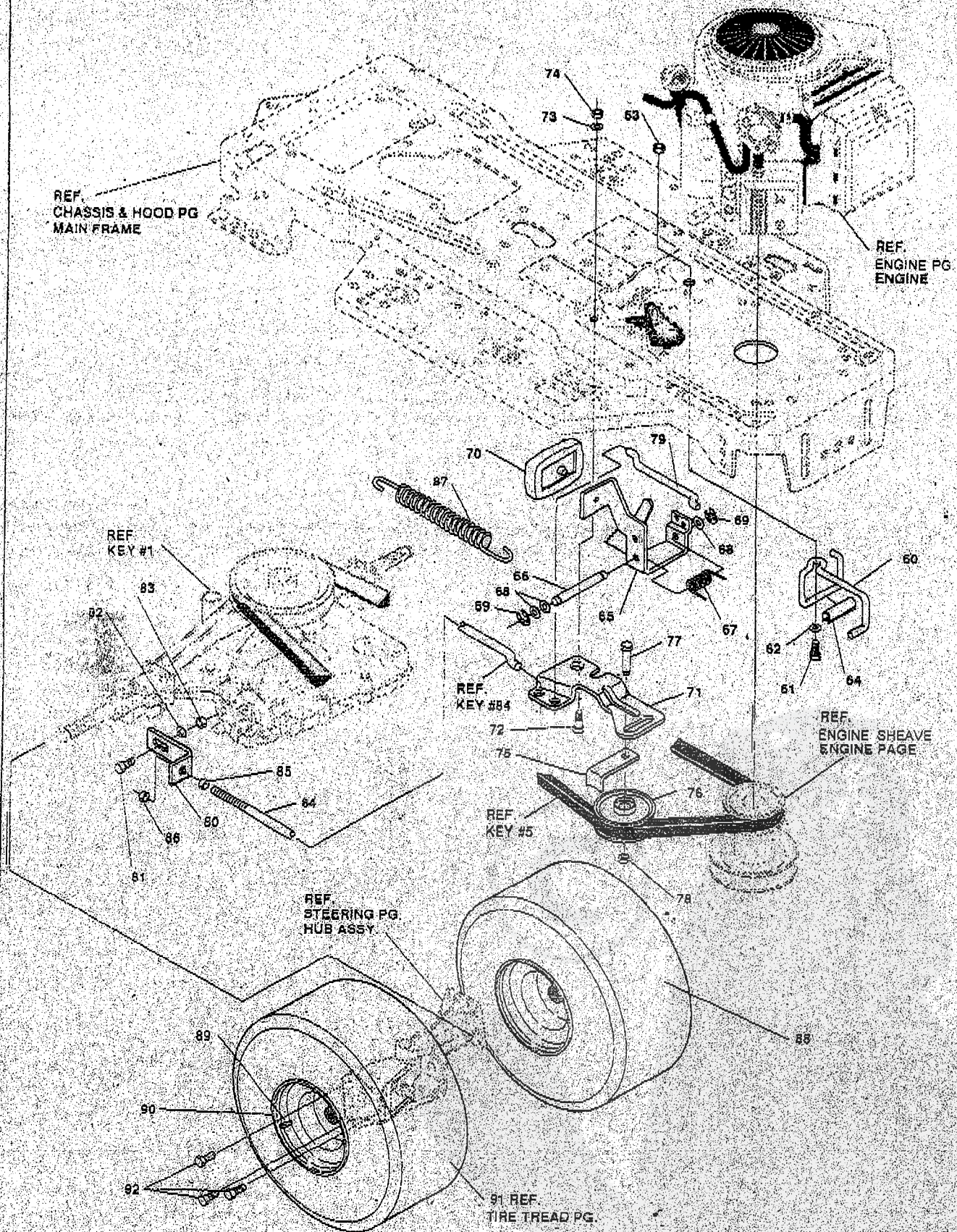
39" LAWN TRACTOR MODEL B3560-610

key#	part#	description	qty
1	TRANSAXLE	F4360-6.6SP (CONTACT NEAREST DEALER)	
2	303109	PULLEY, V4L 920TA	1
3	3021	KEY, WDRF 606 .750X.187X.312	1
4	22053	RING, RETEX .58X.04TRU5100-62	1
5	314120	BELT, V.4L 37.25	1
6	0180048	SCREW, 1/4-20X2.50	4
7	120392	WASHER, FLAT .344X.69X.065	8
8	01502	NUT, 1/4-20 REGHEXCTRLK	4
9	12632	STABILIZER BRKT P920,F4150	1
10	035498	SCREW, 5/16-18X.75 WAHHTAP	2
11	120638	WASHER, HVSP TLK .328X.60X.09	2
12	0122017	SCREW, 5/16-18X1.00 HHC	1
13	120393	WASHER, FLAT .344X.69X.065	1
14	01498	NUT, 5/16-18 REGHEXCTRLK	1
15	314935	GUIDE, BELT 5/16-18THD	1
16	120638	WASHER, HVSP TLK .328X.60X.09	1
17	01498	NUT, 5/16-18 REGHEXCTRLK	1
18	0122007	SCREW, 5/16-18X.75 HHC	1
19	138538	WASHER, REGINTLK.820X.61X.03	1
20	01498	NUT, 5/16-18 REGHEXCTRLK	1
21	310029	LEVER, SHIFT, LWR 4360	1
22	310348	CLIP-SHIFT LEVER .62 ROD	1
2	3 0180077	SCREW, 5/16-18X.75 HHC	1
24	996416	WASHER, FLAT .391X1.00X.125	1
25	01498	NUT, 5/16-18 REGHEXCTRLK	1
26	310348	CLIP-SHIFT LEVER .62 ROD	1
27	57259	GUIDE, BELT 5/16-18THD	1
28	996416	WASHER, FLAT .391X1.00X.125	1
29	01498	NUT, 5/16-18 REGHEXCTRLK	1
30	310356	PIVOT BRKT LEVER	1
31	0180018	SCREW, 1/4-20X.62 HHC	2
32	01502	NUT, 1/4-20 REGHEXCTRLK	2
33	309635	LEVER, SHIFT UPPER SF 1/2-13TH	1
34	310265	SPRING, TORS. .56X.95X.095	1
35	137185	PIN, COTTER .125 DIA X1.00LG	1
3	5 b 120238	NUT, 1/2-13HEXJAM	1
3	7 306690	HANDLE 112-13	1
38	314971	LINK TIE ROD SHIFTER	1
3	9 0180124	SCREW, 3/8-16X1.25 HHC	1
40	01499	NUT, 3/8-16 REGHXCTRLK	1
41	309637	BRACKET, SHIFT 58P	1
42	0180124	SCREW, 3/8-16X1.25 HHC	1
43	120394	WASHER, FLAT .406X.81X.065	2
44	01499	NUT, 3/8-16 REGHXCTRLK	1
45	57157	WASHER, .750X.260 SP-TRANSAXLE	1
46	056255	SCREW, 1/4-28X.75 NYLHHC	1

◊ Indicates STANDARD HARDWARE ITEMS.

39" LAWN TRACTOR MODEL B3560-610

MOTION DRIVE ASSEMBLY



NOTE: ALWAYS USE ORIGINAL EQUIPMENT PARTS.
Use of service/replacement parts other than original equipment parts may void your warranty.

ALL UNNUMBERED ITEMS ARE INTERCHANGABLE WITH OPPOSITE SIDE

315591D

19" LAWN TRACTOR MODEL B3560-610

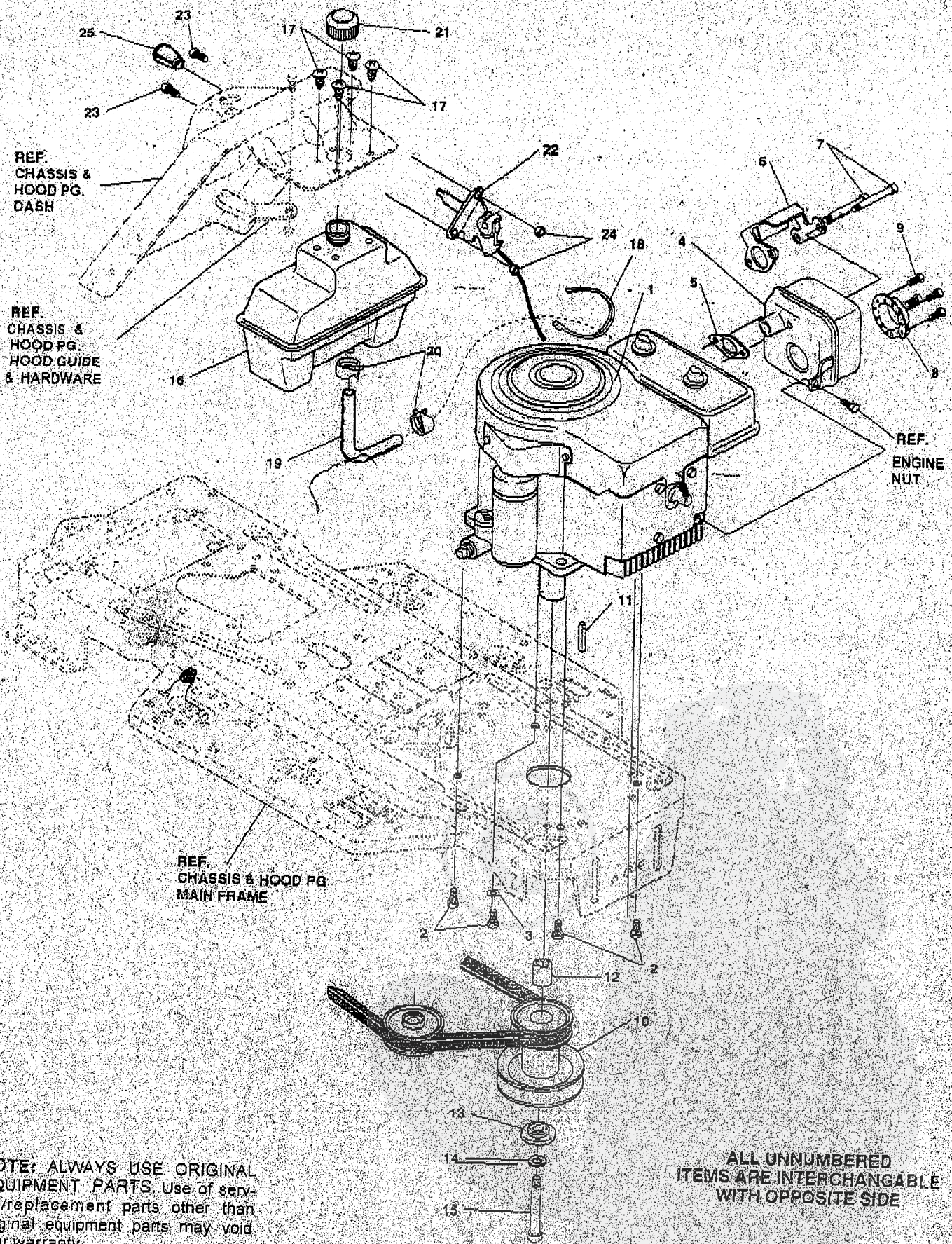
key#	part#	description	qty.
60	315359	GUIDE-BELT/DRAGLINK	1
61	0160079	SCREW, 5/16-18X1.00 HHC	1
62	45602	WASHER, FLAT .333X .87X.119	1
63	01498	NUT, 5/16-18 REGHEXCTRLK	1
64	303278	PLASTIC EXTRUSION-BELT GUIDE	1
65	300308	PEDAL ASSY,BRAKE/CLUTCH	1
66	57196	ROD,PIVOT .50 OD+4.44LG	1
67	57847	SPRING, BRAKE PEDAL	1
68	2968	WASHER, FLAT .504X.75X.059	3
69	20864	RING, RET E .39X.04TRUS133-50	2
70	48160	PAD, CLUTCH BRAKE	1
71	300154	ARM, IDLER TRACTION DR.	1
72	300793	BOLT, .625X .135 HSSH 5/16-18	1
73	45602	WASHER, FLAT .333X .87X.119	1
74	01498	NUT, 5/16-18 REGHEXCTRLK	1
75	39659	RETAINER, STRAP BELT	1
76	35374	PULLEY, IDLER V4L3.06X.62	1
77	45692	BOLT, 3/8-16X1.50 CARR	1
78	01498	NUT, 3/8-16 REGHXCTRLK	1
79	57204	ROD, CLUTCH	1
80	57217	BRACKET, BRAKE ROD	1
81	20507	BOLT, .437X .155 HSSH 5/16-18	1
82	45602	WASHER, FLAT .333X .87X.119	1
83	01498	NUT, 5/16-18 REGHEXCTRLK	1
84	313659	ROD, BRAKE P920 4WSLF 23.56	1
85	0271184	NUT, 5/16-18 HEXKEPS	1
86	01498	NUT, 5/16-18 REGHEXCTRLK	1
87	333660	SPRING, CLUTCH 1.13X.750X8.75	1
88		TIRE & RIM, PU 20-10X8 WHIT134	2
89	24167	VALVE STEM	1
90	316667	RIM, WHEEL 20X8	1
91		REFER TO TIRE TREAD PAGE	
92	0123418	SCREW, 1/2-20X.50 HHC	6

* Order Individual Parts.

0 Indicates STANDARD HARDWARE ITEMS.

39" LAWN TRACTOR MODEL B3560-610

ENGINE & CONTROL ASSEMBLY



39" LAWN TRACTOR MODEL B3560-610

key#	part#	description	qty.
1	ENGINE	12.5HP B&S I/C-DUAL CIR.(SEE ENGINE MANUAL)	1
2	O-50947	SCREW, 3/8-16X1.25 WAHHTAP	4
3	138489	WASHER, EXLK 384X.69X.04	1
4	305406	MUFFLER B&S SQ. LO-TONE 10-12HP	1
5	46708	GASKET, MUFFLER	1
6	305409	SHIELD, MUFFLER B&S SQ. LO-TONE	1
7	305407	BOLT, 4.97X4.340 HHS/16-18	4
8	56472	DEFLECTOR SIDE OUT	1
9	◊ 35287	SCREW, #8-32X.38 HHWATAP	4
10	58361	PULLEY ASSY, 4.75OFFS 5.5DIA	1
11	57791	KEY, SQUARE .250SQX5.00LG	1
12	304246	SPACER, 1.01X1.484 ENGIN PULLEY	1
13	56431	WASHER, 980IDX 1.38ODX 4.97PILOT	1
14	120383	WASHER, REGSP LK 459X.78X.12	1
15	0428644	SCREW, 7/16-20X5.00 HHC	1
16	314989	TANK, FUEL	1
17	049050	SCREW, 1/4-10X.75PHNTAP	4
18	57444	WIRE-TIE	1
19	47452	GAS LINE .25ID	13.50*
20	48672	CLAMP, FUEL LINE	2
21	A6704	GAS CAP 1-1/2-7 THD	1
22	56534	CONTROL, THROTTLE LF 12HP 20.5	1
23	0169943	SCREW, 10-24X .63PHPNMA	2
24	0271166	NUT, #10-24 HEXKEPS	2
25	50507	KNOB, ROUND T H R O T T L E	1

◊ Indicates STANDARD HARDWARE ITEMS.

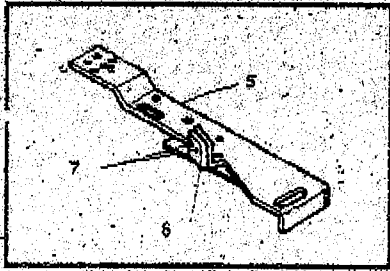
39" LAWN TRACTOR MODEL B3560-610

key#	part#	description	qty
1	315610	DECK, 39" SD MOWER	1
2	57314	BAR, SKID	1
3		BOLT, 5/16-18X.75 CARR.	1
4	01498 126218	NUT, 5/16-18 REGHEXCTRLK	1
5	57318	GUIDE, BELT 5/16-18 THD	1
6	01498	NUT, 5/16-18 REGHEXCTRLK	1
7	57960	BRACKET, CHUTE	1
8	0120834	SCREW, 5/16-18X.50 HHC	2
9	01498	NUT, 5/16-18 REGHEXCTRLK	2
10	58250	LIFT BRACKET, REAR, RH	1
11	0180077	SCREW, 5/16-18X.75 HHC	2
12	120393	WASHER, FIAT .344X.69X.065	2
13	01498	NUT, 5/16-18 REGHEXCTRLK	2
14	58251	BRACKET, DECK LIFT REAR LH	1
15	0180077	SCREW, 5/16-18X.75 HHC	2
16	120393	WASHER, FLAT .344X.69X.065	2
17	01498	NUT, 5/16-18 REGHEXCTRLK	2
18	316302	BRACKET, IDLER SUPPORT	1
19	0309345	SCREW, 5/16-18X1.38 WATAP	1
20	120393	WASHER, FLAT .344X.69X.065	1
21	01498	NUT, 5/16-18 REGHEXCTRLK	1
22	56424	QUILL ASSY, 35/39/40/43	2
23	56425	SHAFT/SADDLE 36"	1
24	49562	BRNG, BALL	1
25	50616	DUST SHIELD	1
26	55547	QUILL CASTING	1
27	49562	BRNG, BALL	1
28	50618	SPACER, 3.797LGX.669IDX.86OD	1
29	51449	SPACER, 4.38LGX.932ODX.672ID-PM	1
30	58315	PULLEY, 26/36" QUILL	1
31	58365	SPECIAL WASHER	1
32	01282	NUT, 7/16-20 WDFLLK	1
33	050634	SCREW, 5/16-18X.88 WAHHTA?	6
34	0300345	SCREW, 5/16-18X1.38 WATAP	1
35	01498	NUT, 5/16-18 REGHEXCTRLK	1
36	58315	LIFT SUPPORT, FRONT DECK	1
37	0180075	SCREW, 5/16-18X.63 HHC	4
38	01498	NUT, 5/16-18 REGHEXCTRLK	4
39	58305	LINK BRACKET, DECK FR	1
40	58247	ADJUSTING NUT	2
41	0122017	SCREW, 5/16-18X1.00 HHC	2
42	36214	WASHER, FLAT .328X1.06X.062	2
43	01498	NUT, 5/16-18 REGHEXCTRLK	2
44	300103	WHEEL BRKT, LH	1
45	0180075	SCREW, 5/16-18X.63 HHC	3
46	01498	NUT, 5/16-18 REGHEXCTRLK	3
47	300102	WHEEL BRKT, RH	1
48	0180075	SCREW, 5/16-18X.63 HHC	3
49	01498	NUT, 5/16-18 REGHEXCTRLK	3
50	57259	BLADE, 39" STD-LIFT 19.5	2
51	2483	WASHER, 39IDX1.25DX.07 BELLVIL	6
52	039573	SCREW, 3/8-24X1.00 NYLHHC	2

◊ Indicates STANDARD HARDWARE ITEMS

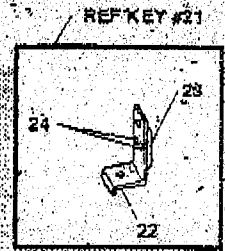
39" LAWN TRACTOR MODEL B3560-610

FINAL DECK ASSEMBLY

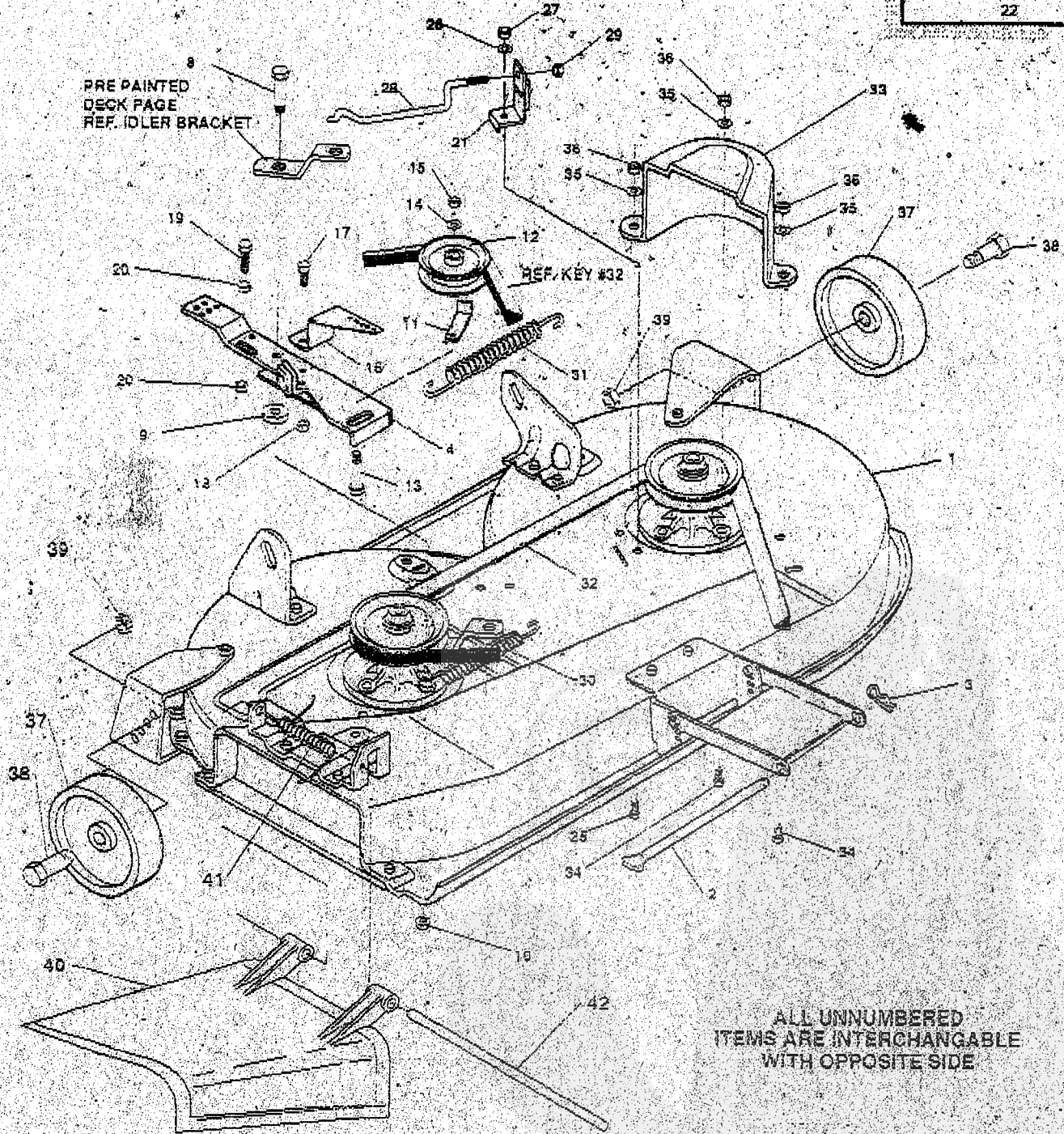


SEE DWG. 316186 FOR PART ASSY
OF PAINTED DECK.

REF KEY #4



PRE PAINTED
DECK PAGE
REF. IDLER BRACKET



REF. KEY #32

ALL UNNUMBERED
ITEMS ARE INTERCHANGABLE
WITH OPPOSITE SIDE

NOTE: ALWAYS USE ORIGINAL EQUIPMENT PARTS
Use of service/replacement parts other than original equipment parts may void your warranty.

316186A

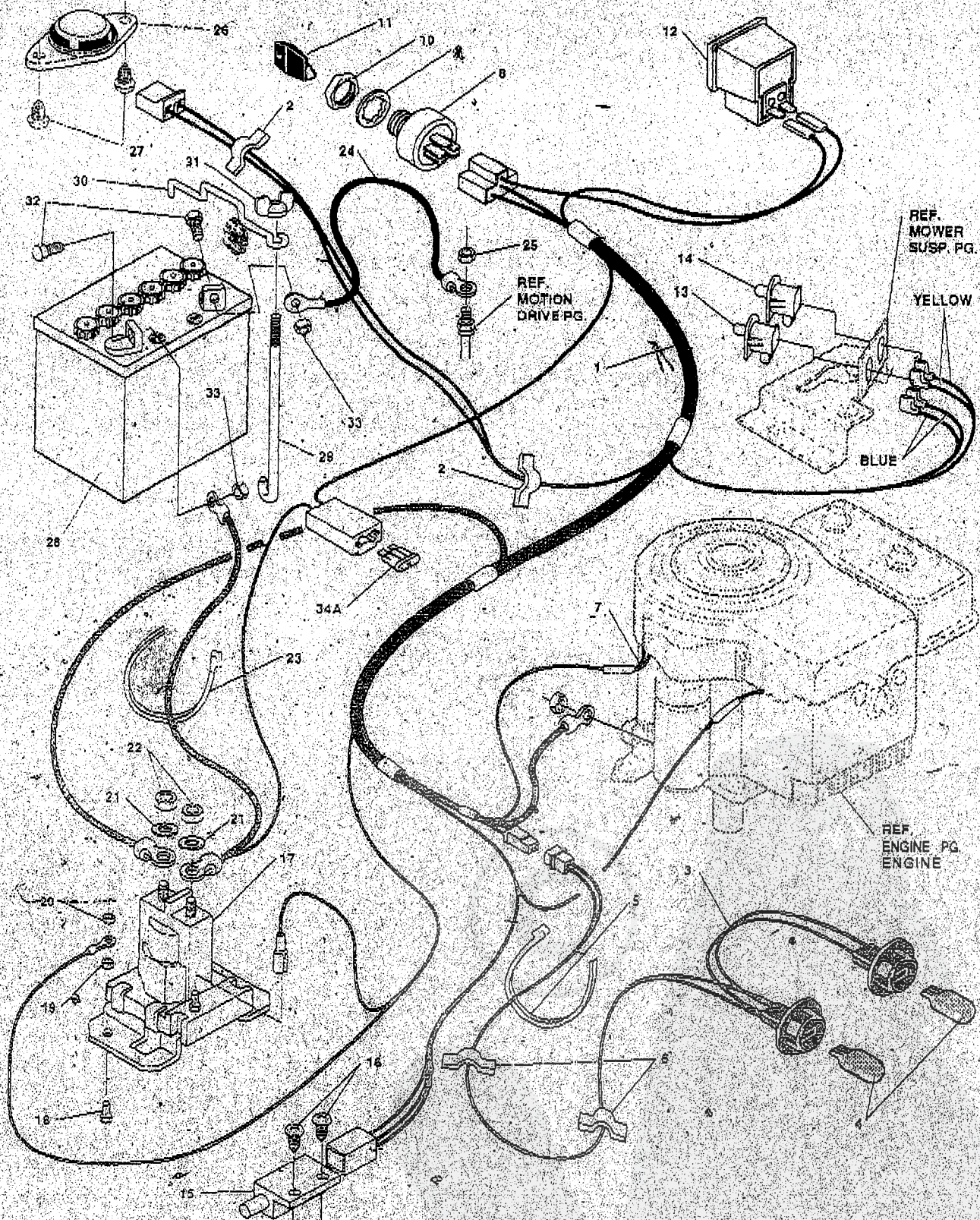
39" LAWN TRACTOR MODEL B3560-610

key#	part#	description	qty
1.	316187	DECK ASSY.	1
2	58306	ROD, DECK HITCH	1
3	5260	PIN, HAIR .091 DIA X 1.66	1
4	300491	BRACKET, IDLER ARM/BRAKE	1
5	9282	IDLER ARM	1
6	306973	BRAKE PAD	1
7	185624	RIVET, TRSET .185DIA X .41	2
8	300180	BOLT, .50 X 1.88 HSSH 3/8-16	1
9	0986416	WASHER, FLAT .391 X 1.00 X .125	1
10	045171	NUT, 3/8-16 HWDFL WHIZ NUT	1
11	1346	BELT RETAINER 2.55 OD	1
12	303030	PULLEY, IDLER BFF 4.00 DIA	1
13	57325	BOLT, 3/8-16 X 2.00 CARB	1
14	0120382	WASHER, REGSPTLK .393 X .68 X .10	1
15	0120377	NUT, 3/8-16 REGHX	1
16	9401	BRACKET, EXTENSION IDLER	1
17	0180077	SCREW, 5/16-18 X .75 HHC	1
18	01498	NUT, 5/16-18 REGHEXCTRLK	1
19	0121954	SCREW, 1/4-20 X 2.00 HHC	1
20	0271172	NUT, 1/4-20 REGHEXKEPS	2
21	303247	ASSY, BLADE, BRAKE 36, 39, 45	1
22	12542	BRAKE ARM	1
23	306973	BRAKE PAD	1
24	185624	RIVET, TRSET .185DIA X .41	2
25	0120228	SCREW, 5/16-18 X .63 HHC	1
26	0120393	WASHER, FLAT .344 X .69 X .065	1
27	01498	NUT, 5/16-18 REGHEXCTRLK	1
28	300316	ROD, BRAKE RELEASE	1
29	01502	NUT, 1/4-20 REGHEXCTRLK	1
30	35410	SPRING, 0.71 X .62 X 4.37	1
31	300473	SPRING, TENSION 7.52 LG + 17 LB/IN	1
32	300660	BELT, V 5L 77 75 KEVLAR	1
33	302893	GUARD, BELT LH	1
34	0120228	SCREW, 5/16-18 X .63 HHC	3
35	0120393	WASHER, FLAT .344 X .69 X .065	3
36	01498	NUT, 5/16-18 REGHEXCTRLK	3
37	52684	WHEEL, 50 5.0000 X 1.38 WD	2
38	23769	BOLT, .500 X 1.390 HSSH 3/8-16	2
39	01498	NUT, 3/8-16 REGHXCTRLK	2
40	57818	CHUTE 36SD, 39SD, 45SD	1
41	314975	SPRING, TORSION	1
42	57217	PIVOT ROD, CHUTE	1

STANDARD HARDWARE ITEMS

39" LAWN TRACTOR MODEL B3560-610

ELECTRICAL ASSEMBLY



NOTE: ALWAYS USE ORIGINAL EQUIPMENT PARTS.
 Use of service/replacement parts other than original equipment parts may void your warranty.

**ALL UNNUMBERED
 ITEMS ARE INTERCHANGABLE
 WITH OPPOSITE SIDE**

316262A

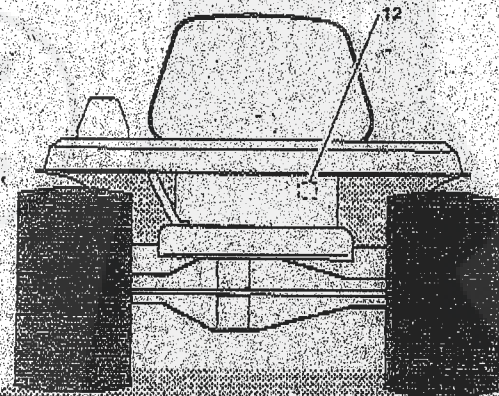
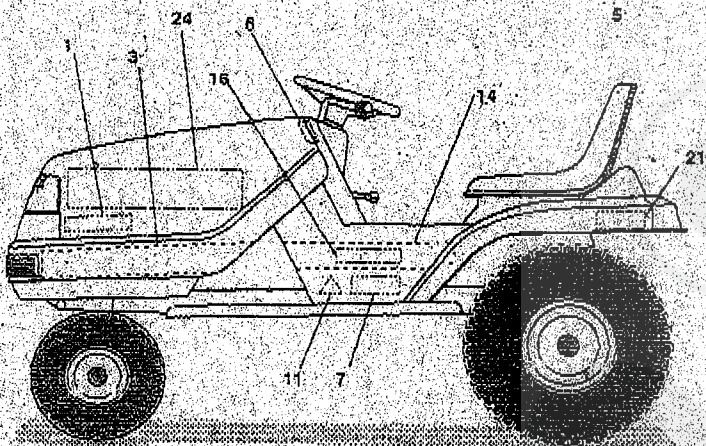
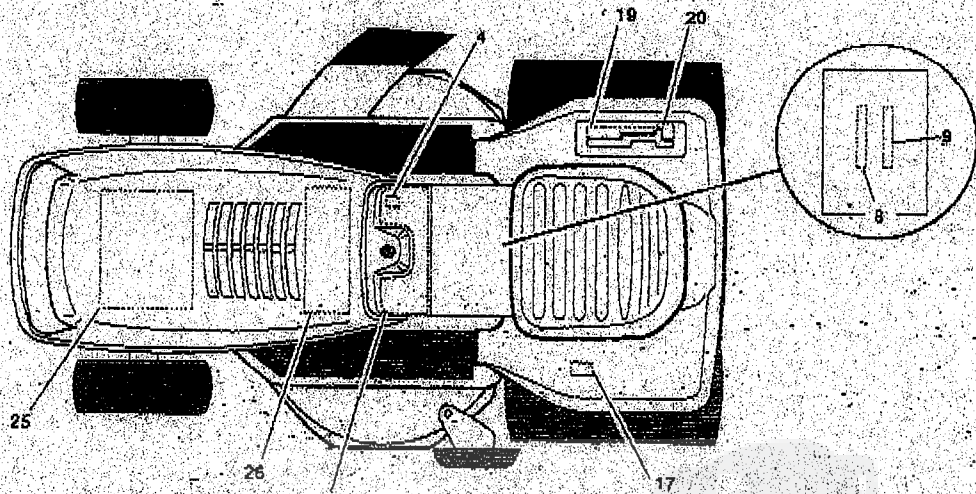
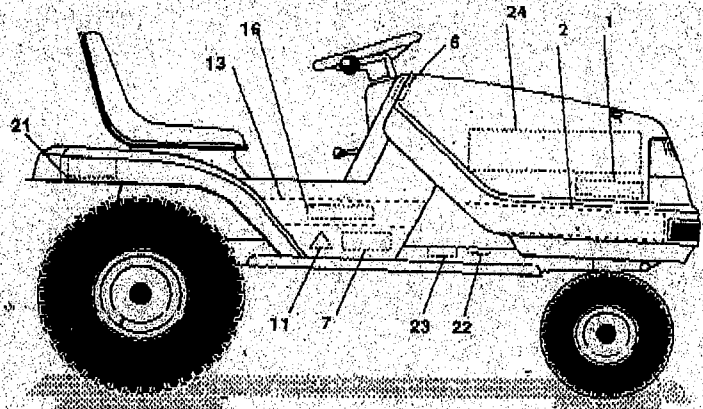
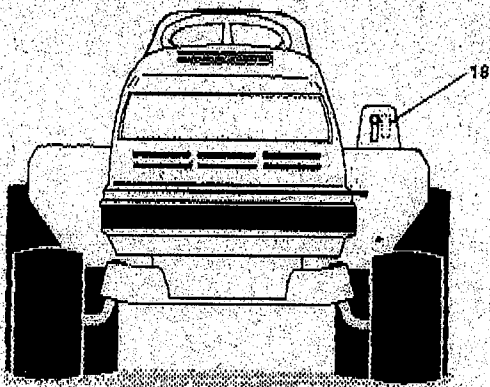
39" LAWN TRACTOR MODEL B3560-610

key#	part#	description	qty.
1	300814	WIRE HARNESS 12HP B&S SUS	1
2	41482	CLIP, 1.380LG, 255ID PRESS WIRE	2
3	303064	ASSY, LIGHT WIRE-1/4 TURN	1
4	52572	BULB, HEADLAMP	2
5	57444	TIE, CABLE BLACK	1
6	41482	CLIP, 1.380LG, 255ID PRESS WIRE	2
7	314669	ADAPTER, HARNESS	1
8	300687	SWITCH, IGNITION & LIGHTS	1
9	138557	WASHER, REGINTLK 640X1.1X.05	1
10	048140	NUT, 5/8-32 HXHD IGN SWIT	1
11	300626	KEY, IGNITION SWITCH	1
12	300133	AMMETER, PANEL MOUNT	1
13	300220	SWITCH, SNAPMNT NO. 055/ 116	1
14	58277	SWITCH, SNAPMNT N C 065/ 166	1
15	57211	SWITCH, SCR MNT SP NO	1
16	057220	SCREW, #12 X .50 PHPNHTAP	2
17	53716	SOLENOID, NEW CLUM	1
18	0167745	SCREW, 1/4-20X.75 HXSEMMA	2
19	01502	NUT, 1/4-20 REGHEXOTRLK	2
20	0271172	NUT, 1/4-20 REGHEXKEPS	2
21	138485	WASHER, EXLK 320X.61X.03	2
22	0120368	NUT, 5/16-24 REGHEX	2
2 3	57444	TIE, CABLE BLACK NYLON 5.62	1
24	55511	WIRE, GROUND, 12.5	1
25	0271184	NUT, 5/16-18 HEXKEPS	1
26	57547	SWITCH, SEAT	1
27	0160505	SCREW, 1/4-20X.38PHPNHMA	2
28	302257	BATTERY	1
29	57555.1	ROD, BATTERY	1
30	57552	ROD, BATTERY, TOP	1
31	310067	SMALL PLASTIC WING NUT 1/4-20	1
32	-0120854	SCREW, 1/4-20X.63 HHC	2
33	0277 172	NUT, 1/4-20 REGHEXKEPS	2
34A	- 302031	FUSE, 15 AMP SPADE TYPE	1
34B	** 49211	FUSE, 15 AMP CYLINDRICAL	1

**Cylindrical or Spade type fuse included in wire assembly.
 0 indicates STANDARD HARDWARE ITEMS.

39" LAWN TRACTOR MODEL B3560-610

DECALS



NOTE: ALWAYS USE ORIGINAL EQUIPMENT PARTS.
Use of service/replacement parts other than original equipment parts may void your warranty.

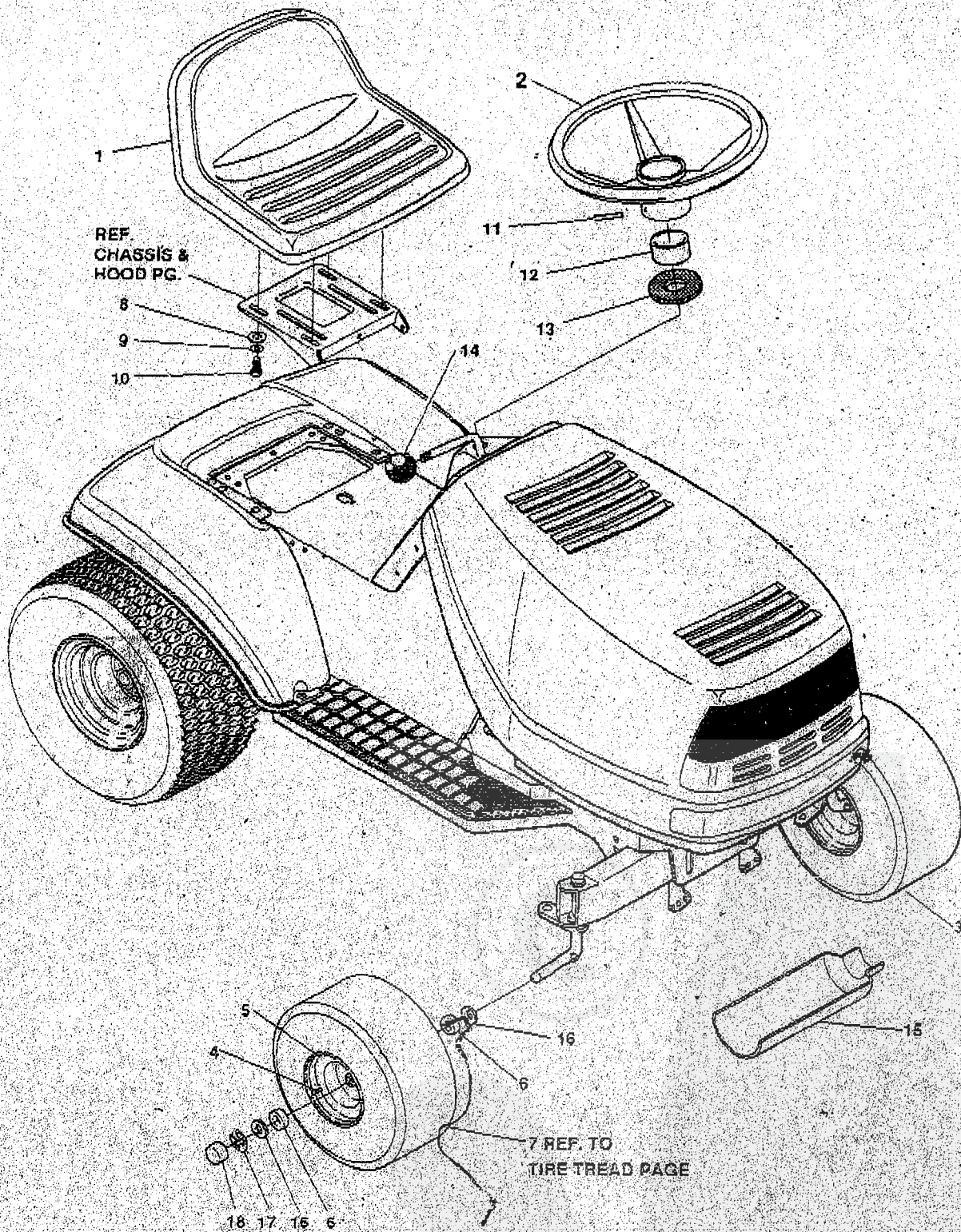
**ALL UNNUMBERED
ITEMS ARE INTERCHANGABLE
WITH OPPOSITE SIDE**

3157478

9" LAWN TRACTOR MODEL B3560-610

key#	part#	description	qty.
1	305317	NAMEPLATE HOOD FLANDRIA	2
2	311856	DECAL,HOOD H-14 RH	1
3	311857	DECAL,HOOD H-14 LH	1
4	68900	DECAL,BLADE ENGAGE'EUROPE	1
5	307038	DECAL,DASH,PLAIN	1
6	313208	DECAL, DASH WEAR STRIP	2
7	68902	DECAL,WARNING,FRENCH/GERMAN	2
8	69524	DECAL,INSTRUCT CONSOLE TOP GEA	1
9	69525	DECAL,INSTRUCT CONSOLE TOP FR	1
10		REFERENCE ONLY	
11	305770	DECAL,CAUTION TRIANGLE EUROPE	2
12	310436	DECAL,FRENCH-SAFETY CERT.	1
13	311844	DECAL, CONSOLE LF RH	1
14	311645	DECAL, CONSOLE LF LH	1
15		REFERENCE ONLY	
16	316298	NAMEPLATE 12.5/39	2
17	68901	DECAL,BLADE HEIGHT ADJ. EUROPE	1
18	301897	DECAL, LIFT DECK BLADE HEIGHT	1
19	311394	DECAL, SHIFT REV/NEUTRAL	1
20	311396	DECAL SHIFTER POSITION F4360-6	1
21	314118	DECAL, ALL WHEEL STEER	2
22	67667	DECAL, CHECK OIL LEVEL	1
23	68903	DECAL,BRAKE/CLUTCH EUROPE	1
24	305603	PAD, 18 X 6 FOAM HOOD	2
25	307276	P A D 15 X 7 FOAM HOOD	1
26	307277	PAD, 12 X 4 FOAM HOOD	1

CUSTOMER ASSEMBLY



316176C

CUSTOMER ASSEMBLY VIEW

316177 PARTS BAG ASSY QTY1

key#	part#	description	qty
1	57455	SEAT,560 MICH	1
2	306654	WHEEL, STEERING, 14" EURO	1
3	302828	TIRE & R/M. PU15X6.0X6 TURF	2
4	24167	VALVE STEM	1
5	39829	WHEEL W/BRG.	1
6	39979	BEARING,FL1.38OD+.75ID P M	2
7		REFER TO TIRE TREAD PAGE	
8	120383	WASHER, FLAT 344X.69X.065	4
9	120638	WASHER, HVSP,TLK 328X.60X.09	4
10	122007	SCREW, 5/16-18X.75 HHC	4
11	456378	PIN, SPRING,250DIA X2.00LG HVPL	1
12	311465	COVER, STEERING SHAFT	1
13	301413	SPACER,SLVE .75ID X 1.25OD X.5TK	1
14	55514	SHIFT KNOB	1
15	54873	TROUGH, OIL DRAIN	1
16	642	WASHER, FLAT, .765X1.31X.075	4
17	36625	RING, RETEX .57X.05TRU5133-75	2
18	40384	CAP, 1.500ID X 7/8LG HUB	2

* Order Individual Parts.