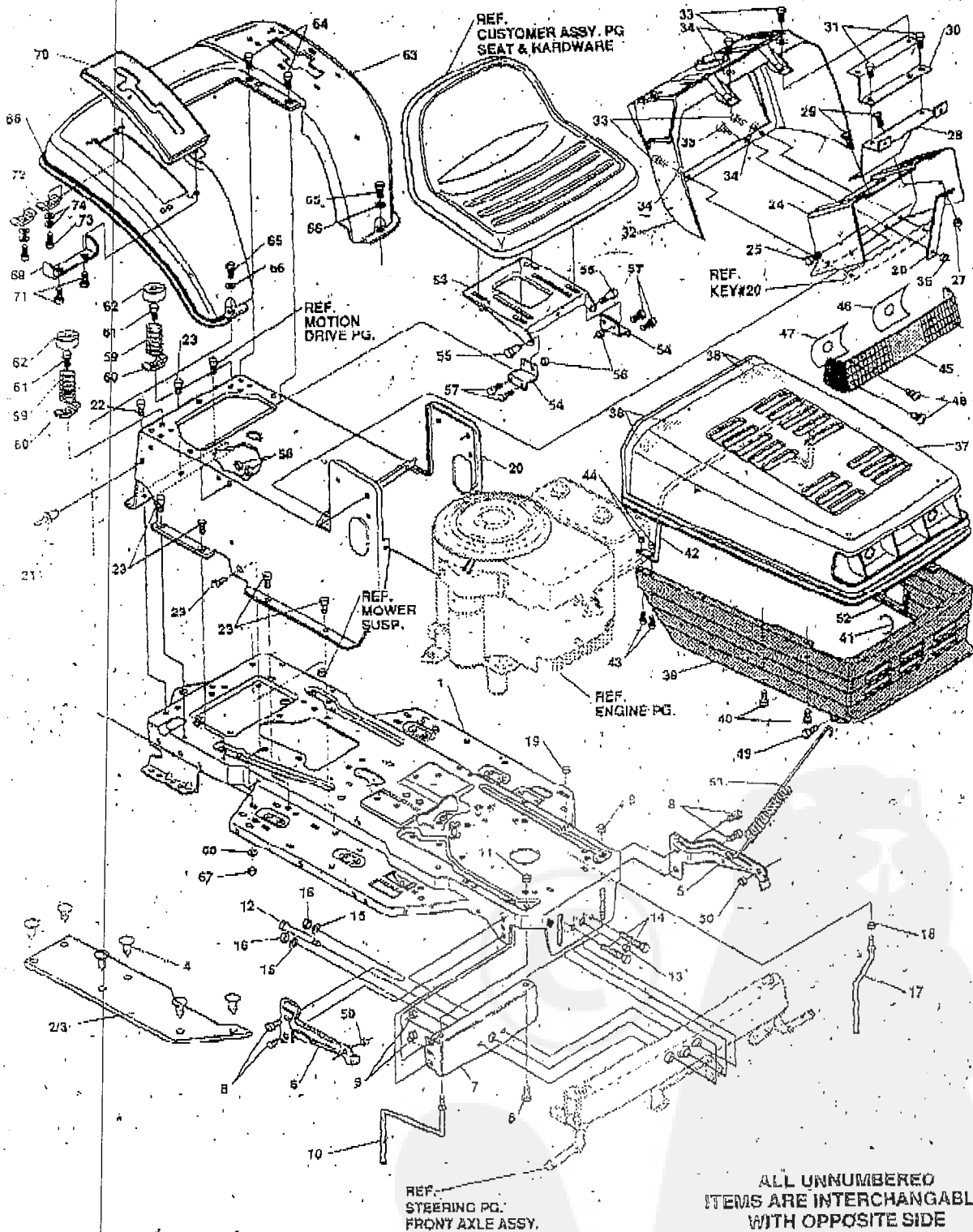


# 9" LAWN TRACTOR MODEL B3560-640

## CHASSIS & HOOD ASSEMBLY



NOTE: ALWAYS USE ORIGINAL EQUIPMENT PARTS. Use of service/replacement parts other than original equipment parts may void your warranty.

ALL UNNUMBERED ITEMS ARE INTERCHANGABLE WITH OPPOSITE SIDE

315841B

Part No. 317271

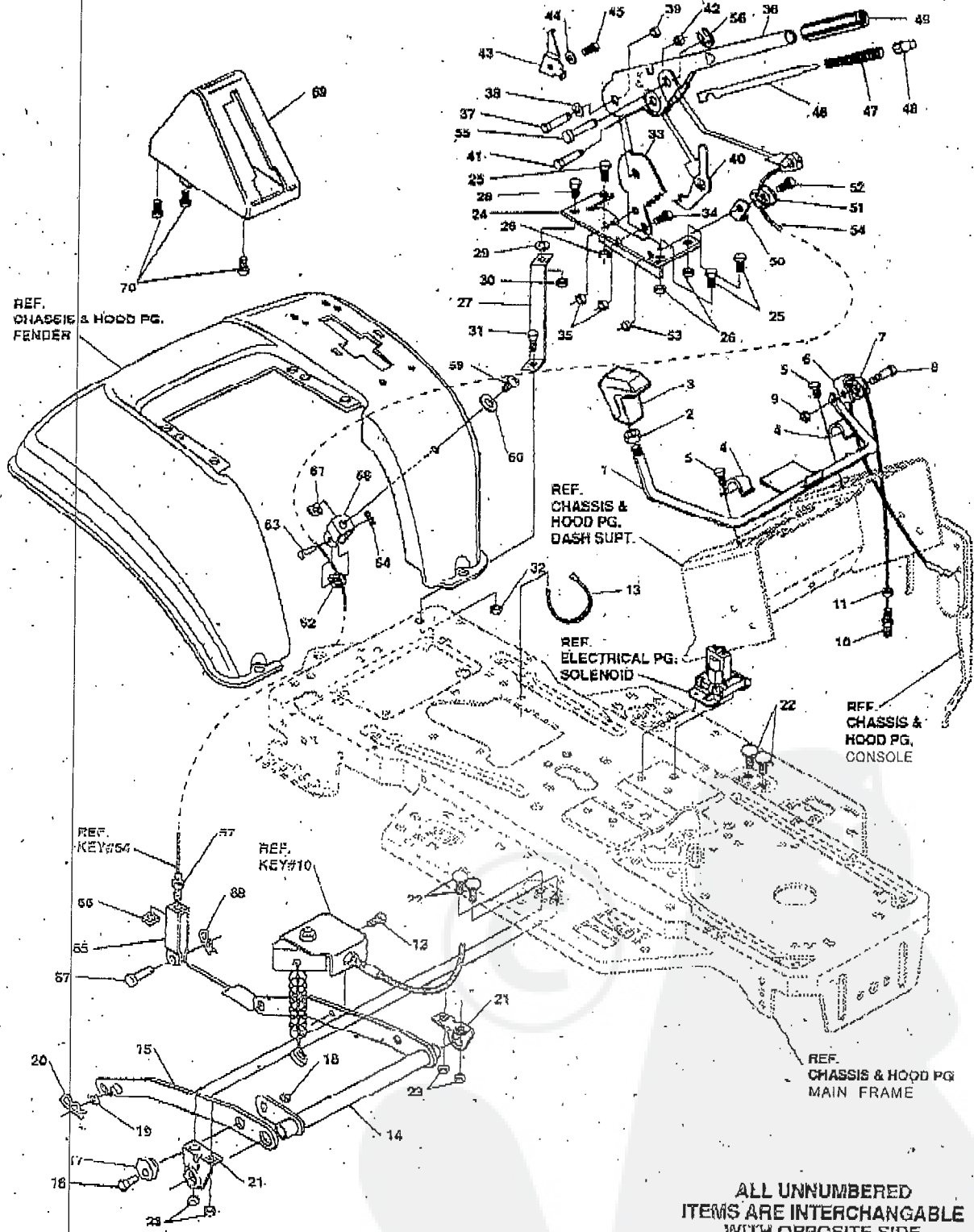
39" LAWN TRACTOR MODEL B3560-640

key#	part#	description	qty.
1		FRAME, LF MAIN P920/F4360	1
2	21067 31005	FOOTPAD, LH	1
3		FOOTPAD, RH	1
4	31006 30225	FASTENER, RATCHET "	12
5	9785	BRACKET, GRILLE LH	1
8	9794	BRACKET, GRILLE RH	1
7	56361	BRACKET, FRONT AXLE	1
8	056030	SCREW, 5/16-18X.75WDFLLK	5
9	055273	NUT, 5/16-18, HXWDFLLK	5
10	300440	GUIDE, BELT, RIDER	1
11	01496	NUT, 5/16-18 REGWEXCTRLK	1
12	58246	BOLT, .625X2.180 HSH 1/2-13NC	1
13	01500	NUT, 1/2-13 REGHCTRLK	1
14	0122207	SCREW, 3/8-18X3.00 HHG	2
15	2483	WASHER, 3/8IDX1.25DX.07 BELLVIL	2
16	01499	NUT, 3/8-16 REGHXCTRLK	2
17	305835	GUIDE, SHORT BELT RIDER 15"WH	1
18	0124824	NUT, 5/16-18 HEXJAM	1
19	0271190	NUT, 3/8-16 HEXKEPS	1
20	315918	CONSOLE GNPR W/O TOP SHIFT	1
21	46763	RIVET, POP. 187DIA. 450	1
22	035497	SCREW, 5/16-18X.50 WAHHTAP	1
23	0995346	SCREW, 1/4-20X.50WAHHTAP	12
25	0900303	SCREW, 1/4-20X.75HHWAPLASTITE	2
26	9197	BRACE, DASH SUPT LOWER "	1
27	01502	NUT, 1/4-20 REGHEXCTRLK	1
28	9744	BRKT, GAS TANK	1
29	0995346	SCREW, 1/4-20X.50 WAHHTAP	2
30	9208	BRACE, DASH SUPT UPPER	1
31	095346	SCREW, 1/4-20X.50 WAHHTAP	2
32	305428	DASH, GP W/O GRAPHIC, SUS	1
33	0896888	SCREW, SHOULDER W/NO W/WR255X.45	4
35	044811	SCREW, 1/4-20X .75 HXWATAP	2
36	01502	NUT, 1/4-20 REGHEXCTRLK	1
37	307033	HOOD, H-1 PLASTIC	1
38	302502	PAD, ADHESIVE 1.00 X	4
39	303037	GRILL, LWR GPWR	1
40	0300302	SCREW, #10 X .50 HHTAPPST	1
41	310209	CLIP, HOG RING C-SHAPED	1
42	301425	BRACE, HOOD SUPPORT	1
43	0301542	SCREW, 10-24X1.00HWATAPBLKPHOS	4
44	0271185	NUT, X10-24 HEXKEPS	4
45	3 0 2 3 3 3	LENS, SMOKED W/TAB	1
46	501541	FOIL, REFLECTOR LENS H-1 LH	1
47	301540	FOIL, REFLECTOR LENS H-1 RH	1
48	057796	SCREW, #6 X .50 PLASTITE	1
49	56676	BOLT, .375X .580 HSH 5/16-18	2
50	01498	NUT, 5/16-18 REGHEXCTRLK	2
51	57478	SPRING, HOOD LATCH	2
52	301452	FOIL, HEAT REFLECTOR	1
53	304761	PLATE, SEAT	1
54	3 1 0 6 6 0	BRACKET, F-5 SEAT SUPPORT	1
55	20507	BOLT, .437X.100 HSH 5/16-18	2
56	01498	NUT, 5/16-18 REGHEXCTRLK	2
57	0120228	SCREW, 5/16-18X.63 HHC	4
58	01498	NUT, 5/16-18 REGHEXCTRLK	1
59	57153	SPRING, SEAT 2.63LG, 1.49OD	2
50	1341	CLAMP, SPRING 1.17"ID	2
61	044811	SCREW, 1/4-20X .75 HXWATAP	2
62	56907	COVER, SEAT SPRING 1.50X1.0	2
63	312405	FENDER F-5 SUS LF FDR SHIFT	1
64	0995346	SCREW, 1/4-20X.50 WAHHTAP	4
65	01222017	SCREW, 5/16-18X1.00 HHC	2
66	0446363	WASHER, FLAT .375X .88X.092	4
67	01498	NUT, 5/16-18 REGHEXCTRLK	1
68	55021	TRIM, STRIP, BLACK	77.5"
69	313213	BRKT COVER F-5 FMDR SHIFT	1
70	311209	COVER PLASTIC LF FOOT 4360-6	1
71	0311331	SCREW, 1/4-15X.441.53 HILOHWA	2
72	1341	CLAMP, SPRING 1.17"ID	2
73	0311331	SCREW, 1/4-15X.441.53 HILOHWA	2
74	0120392	WASHER, FLAT .281X .63X.065	2
75	126580	OPERATORS MANUAL (NOT ILLUSTRATED)	1
76	317271	PARTS MANUAL (NOT ILLUSTRATED)	1

\*0 Indicates STANDARD HARDWARE ITEMS.

39" LAWN TRACTOR MODEL B3560-640

SUSPENDED MOWER ASSEMBLY



**NOTE: ALWAYS USE ORIGINAL EQUIPMENT PARTS.** Use of service/replacement parts other than original equipment parts may void your warranty.

**ALL UNNUMBERED ITEMS ARE INTERCHANGABLE WITH OPPOSITE SIDE**

315559A

Par. No. 31727

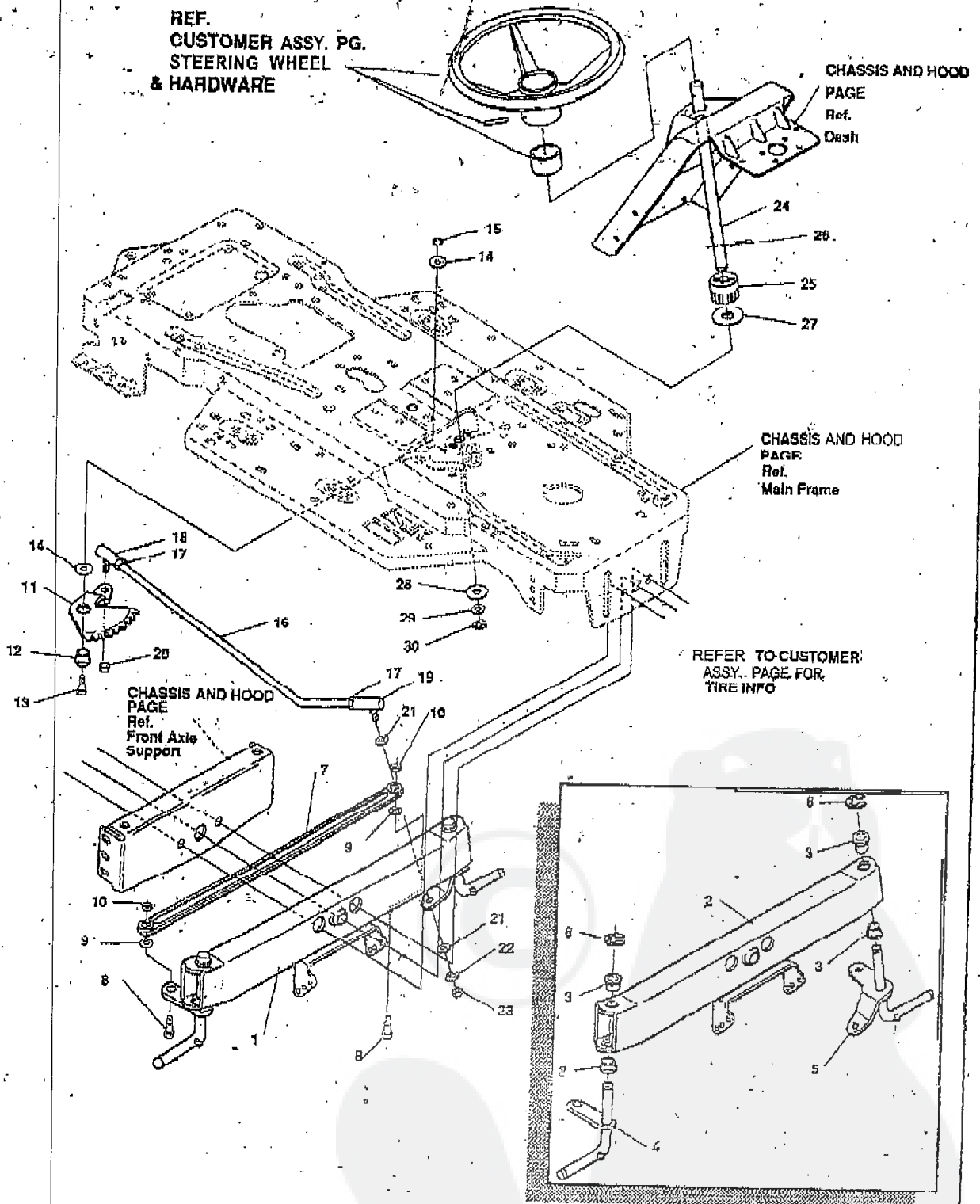
19" LAWN TRACTOR MODEL B3560-640

key#	part#	description	qty.
1	9792	CLUTCH HANDLE	1
2	0120238	NUT, 112-13 HEXJAM	1
3	904438	KNOB, SHIFT NOMA 1/2-13	1
4	9129	CLIP, RETAINING BRKT	2
5	0995948	SCREW, 1/4-20X 50 WAHHTAP	2
6	1288	BRKT, CABLE RETAINER	1
7	39298	PULLEY, .906X.305 NYLON	1
8	57322	BOLT, .375X .375 HSSH 1/4-20	1
9	01502	NUT, 1/4-20 REGHEXCTRLK	1
10	301491	ASSY, CL. CABLE GEN PWR 39SDSUS	1
11	0120613	NUT, 1/4-28 HJAM	1
12	035498	SCREW, 5/16-18X.75 WAHHTAP	1
13	57444	TIE, CABLE BLACK NYLON 5/62	1
14	9165	ASSY, REAR LIFT	1
15	9186	ASSY, LINK, RIGHT SIDE	1
16	0100079	SCREW, 5/16-18X1.00 HHC	1
17	68247	ADJUSTING NUT	1
18	01496	NUT, 5/16-18 REGHEXCTRLK	1
18	0120398	WASHER, FLAT .531X1.06X.095	2
20	8260	PIN, HAIR .091 DIA X1.66LG	2
21	0117	BRKT, REAR HANG SUSP	2
22	126211	BOLT, 5/16-18X.83 CARR	4
23	01498	NUT, 5/16-18 REGHEXCTRLK	4
24	58333	BRACKET, HGT/ADJUST SUPPORT	1
25	180077	SCREW, 5/16-18X.75 HHC	3
26	01498	NUT, 5/16-18 REGHEXCTRLK	3
27	304766	BRACE, FENDER F-5 SUS	1
28	0180079	SCREW, 5/16-18X1.00 HHC	1
29	046502	WASHER, FLAT .339X .87X.119	1
30	01498	NUT, 5/16-18 REGHEXCTRLK	1
31	0180079	SCREW, 5/16-18X1.00 HHC	1
32	01498	NUT, 5/16-18 REGHEXCTRLK	1
33	301238	QUADRANT, HEIGHT ADJUST	1
34	0160077	SCREW, 5/16-18X.75 HHC	2
35	01498	NUT, 5/16-18 REGHEXCTRLK	2
36	9788	HANDLE, LIFT SHORT	1
37	300171	BOLT, 500X.270 HSSH 5/16-18	1
38	996418	WASHER, FLAT .508X.75X.024	1
39	044108	NUT, 5/16-18 HWDFLCTRLK	1
40	301239	PAWL, HEIGHT ADJUST	1
41	300171	BOLT, 500X.270 HSSH 5/16-18	1
42	044108	NUT, 5/16-18 HWDFLCTRLK	1
43	9435	POINTER	1
44	138479	WASHER, EXLK. 195X.41X.03	1
45	035287	SCREW, #4-32X .38 HHWATAP	1
46	303027	ROD, ACTUATOR-SHORT	1
47	58326	SPRING, HEIGHT ADJUST	1
48	5 8 3 2 5	KNOB, HGT ADJ PUSH BUTTON	1
49	58929	GRIP, .750 OD W/ HOLE	1
50	9149	BRKT, CABLE RETAIN	1
51	39298	PULLEY, .906X.305 NYLON	1
52	58336	BOLT, .375X .375 HSSH 1/4-20	1
53	01502	NUT, 1/4-20 REGHEXCTRLK	1
54	300341	CABLE, LIFT 21.70 F-5 20X8-8	1
55	300310	PIN, CLEVIS .310 DIA+.475LG	1
56	300311	RING, RET E. .37X.24	1
57	0120375	NUT, 1/4-20 REGHEX	1
58	9239	CLEVIS	1
59	0439455	SCREW, 5/16-18X.56 PHPNMA BKPH	1
60	307551	WASHER, .344 DIA X1.50DX.09 CIJ BPH	1
61	0120373	NUT, 5/16-18 SQ	1
62	39298	PULLEY, .906X.305 NYLON	1
63	300317	PIN, CLEVIS .38 DIA X1.00LG	1
64	6260	PIN, HAIR .091 DIA X1.66LG	1
65	0406	CLEVIS, LIFT CABLE	1
66	0120372	NUT, 1/4-20 REGSQ	1
67	3 9 5 2 2	PIN, CLEVIS .312 X .812	1
68	121222	PIN, COTTER .090/.086X.75LG	1
69	300335	LIFT COVER-30' F6	1
70	0300340	SCREW, #10 X .75 HHPLAST	3

STANDARD HARDWARE ITEMS

39" LAWN TRACTOR MODEL B3560-640

STEERING ASSEMBLY



ALL UNNUMBERED  
ITEMS ARE INTERCHANGABLE  
WITH OPPOSITE SIDE

**NOTE: ALWAYS USE ORIGINAL  
EQUIPMENT PARTS.** Use of ser-  
vice/replacement parts other than  
original equipment parts may void  
your warranty.

315550A

Part No. 3-7271

39" LAWN TRACTOR MODEL B3560-640

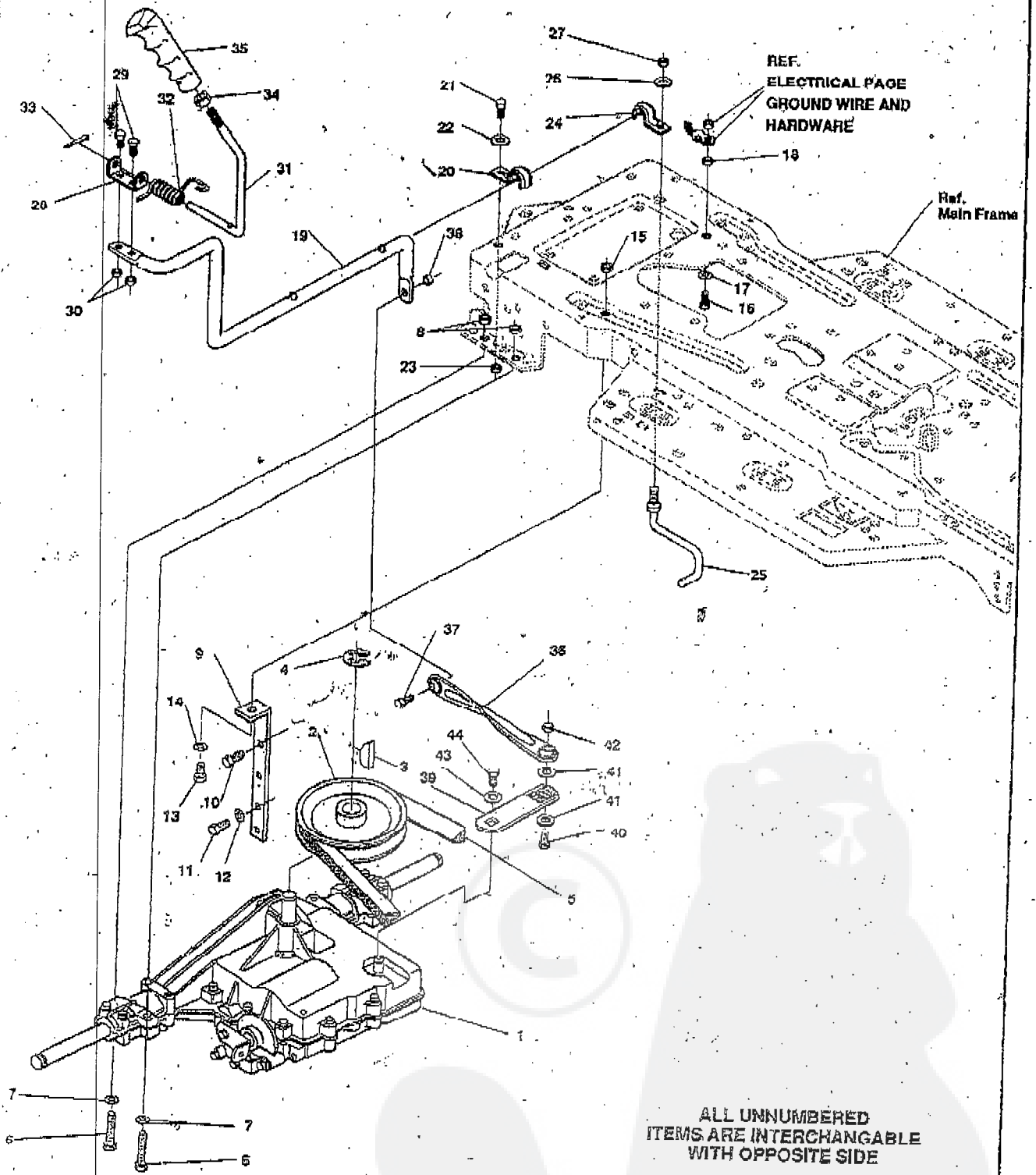
key#	part#	description	qty.
1		ASSY, AXLE FRONT 4WS SUSP	1
2	55730	AXLE, FRONT	1
3	52407	SPINDLE BEARING	4
4	302926	ASSY, SPINDLE R H	1
5	315886	ASSY, SPINDLE LH	1
6	36625	RING, RETEX .57X.05TRU5133-75	2
7	304590	TIE ROD ASSY 19.81LG W-SECTION	1
8	180128	SCREW, 3/8-16X1.75 HHC	2
9	120382	WASHER, REGSPTLK.393X.68X.10	2
10	1499	NUT, 3/8-16 REGHXCTRLK	2
11	58269	SECTOR, STEERING L F	1
12	52406	BRNG, FL ECC .510IDX .998ODX .56	1
13	180177	SCREW, 112-13X1.50 HHC	1
14	22265	WASHER, FLAT .515X1.38X.119	2
15	1500	NUT, 112-13 REGHCTRLK	1
18	58291	STEERING LINK	1
17	124925	NUT, 3/8-24 REGHEXJAM	2
1a	57158	BALL JOINT 3/8 THD SHORT STUD	1
19	21275	BALL JOINT 3/8 THD LONG STUD	1
20	46692	NUT, 3/8-24 WDFLHLK WHIZ	1
21	120396	WASHER, FLAT .531X1.05X.095	2
22	120382	WASHER, REGSPTLK.393X.68X.10	1
23	120369	NUT, 3/8-24 REGHEX	1
24	58243	SHAFT, STEERING LF	1
25	58244	PINION, STEERING LF	1
26	58274	PIN, DOWEL .2500 OD-1.75LG	1
27	301410	BRNG, FL .752IDX1.061ODX .24	1
28	301398	WASHER, FORMED 1.135X1.53X.12	1
29	21682	WASHER, FLAT .766X1.25X.042 PL	1
30	36625	RING, RETEX .57X.05TRU5133-75	1

\* Order Individual Parts.



39" LAWN TRACTOR MODEL B3560-640

MOTION DRIVE ASSEMBLY



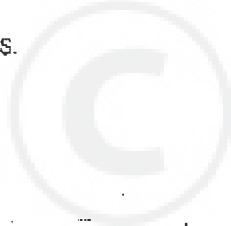
NOTE: ALWAYS USE ORIGINAL EQUIPMENT PARTS  
Use of service replacement parts other than original equipment parts may void your warranty.

312369F

39" LAWN TRACTOR MODEL B3560-640

key#	part#	description	qty.
1		TRANSAXLE FOOTE 4360-6SPHD	1
2	302745	PULLEY, V 4L 6.60 00	1
3	3021	KEY, WOLF 606.750X.187X.81.2'	1
4	22063	RING, RETEX .58X.04TRUS100-62	1
5	87214	BELT, V 4L 84.75	1
6	0180112	SCREW, 5/16-18X2.75 HHC	4
7	0120393	WASHER, FIAT .344X .69X.065	4
8	01498	NUT, 5/16-18 REGHEXCTRLK	4
9	12532	STABILIZER BRKT P920,F4150	1
10	050947	S C R E W , 3/8-16X1.25 WAHTAP	1
11	036498	SCREW, 5/16-18X.75 WAHTAP	1
12	120638	WASHER, HVSPTLK .328X.60X.09	1
13	0122017	SCREW, 5/16-18X1.00 HHC	1
14	0120393	WASHER, FIAT .344X .69X.065	1
15	01498	NUT, 5/16-18 REGHEXCTRLK	1
16	0120228	SCREW, 5/16-18X.63 HHC	1
17	0138538	WASHER, REGINTLK.320X.61X.03	1
18	01498	NUT, 5/16-18 REGHEXCTRLK	1
19	310029	LEVER, SHIFT, LWR	1
20	310348	CLIP-SHIFT LEVER .62 ROD	1
21	0140077	SCREW, 5/16-18X.75 HHC	1
22	996416	WASHER, FLAT .391X1.00X.125	1
23	01498	NUT, 5/16-18 REGHEXCTRLK	1
24	310348	CLIP-SHIFT LEVER .62 ROD	1
25	57259	GUIDE, BELT 5/16-18THQ	1
26	0996416	WASHER, FLAT .391X1.00X.125	1
27	01498	NUT, 5/16-18 REGHEXCTRLK	1
28	310356	PIVOT BRKT 1 FVER	1
29	0180018	SCREW, 1/4-20X.62 HHC	2
30	01602	NUT, 1/4-20 REGHEXCTRLK	2
31	309635	LEVER, SHIFT UPPER SF 1/2-19TH	1
32	310265	SPRING, TORS. 56X.95X.095	1
33	137185	PIN, COTTER .125 DIA X1.00LG	1
34	0120238	NUT, 1/2-13 HEXJAM	1
36	306690	HANDLE 1/2-13	1
36	311325	LINK TIE ROD SHIFTER 4360-6 LF	1
37	0180124	SCREW, 3/8-16X1.25 HHC	1
38	01499	NUT, 3/8-16 REGHEXCTRLK	1
39	309637	BRACKET, SHIFT 5SP SF FEN HT	1
40	0180124	SCREW, 3/8-16X1.25 HHC	1
41	0120394	WASHER, FLAT .406X.81X.065	2
42	01499	NUT, 3/8-16 REGHEXCTRLK	1
43	057157	WASHER, .750X.250	1
44	056255	SCREW, 1/4-28X.75 NYLHHC	1

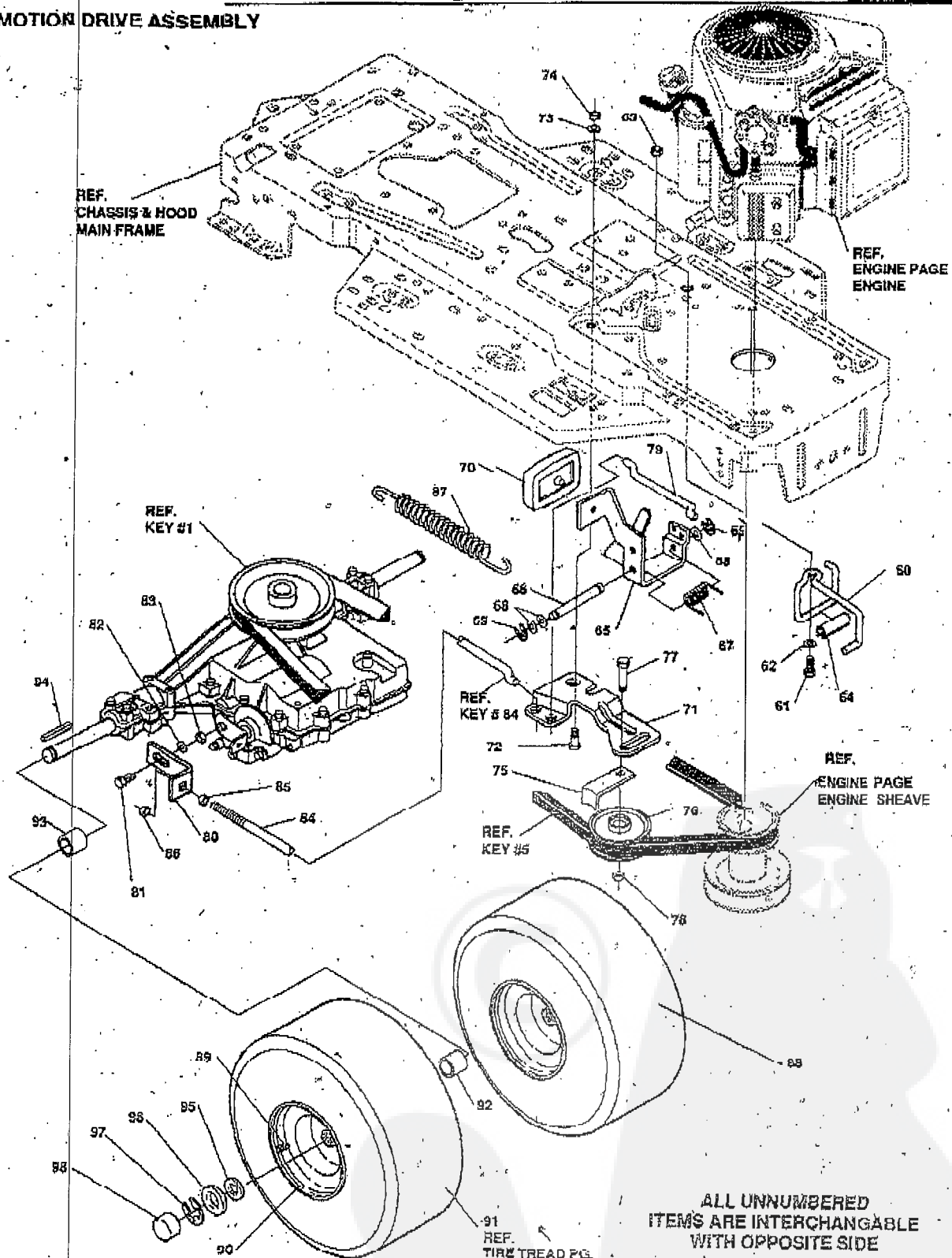
V Indicates STANDARD HARDWARE ITEMS.





39" LAWN TRACTOR MODEL B3560-640

MOTION DRIVE ASSEMBLY



ALL UNNUMBERED  
ITEMS ARE INTERCHANGABLE  
WITH OPPOSITE SIDE

NOTE: ALWAYS USE ORIGINAL EQUIPMENT PARTS.  
Use of service/replacement parts other than original equip-  
ment parts may void your warranty.

312369F

Part No. 317271

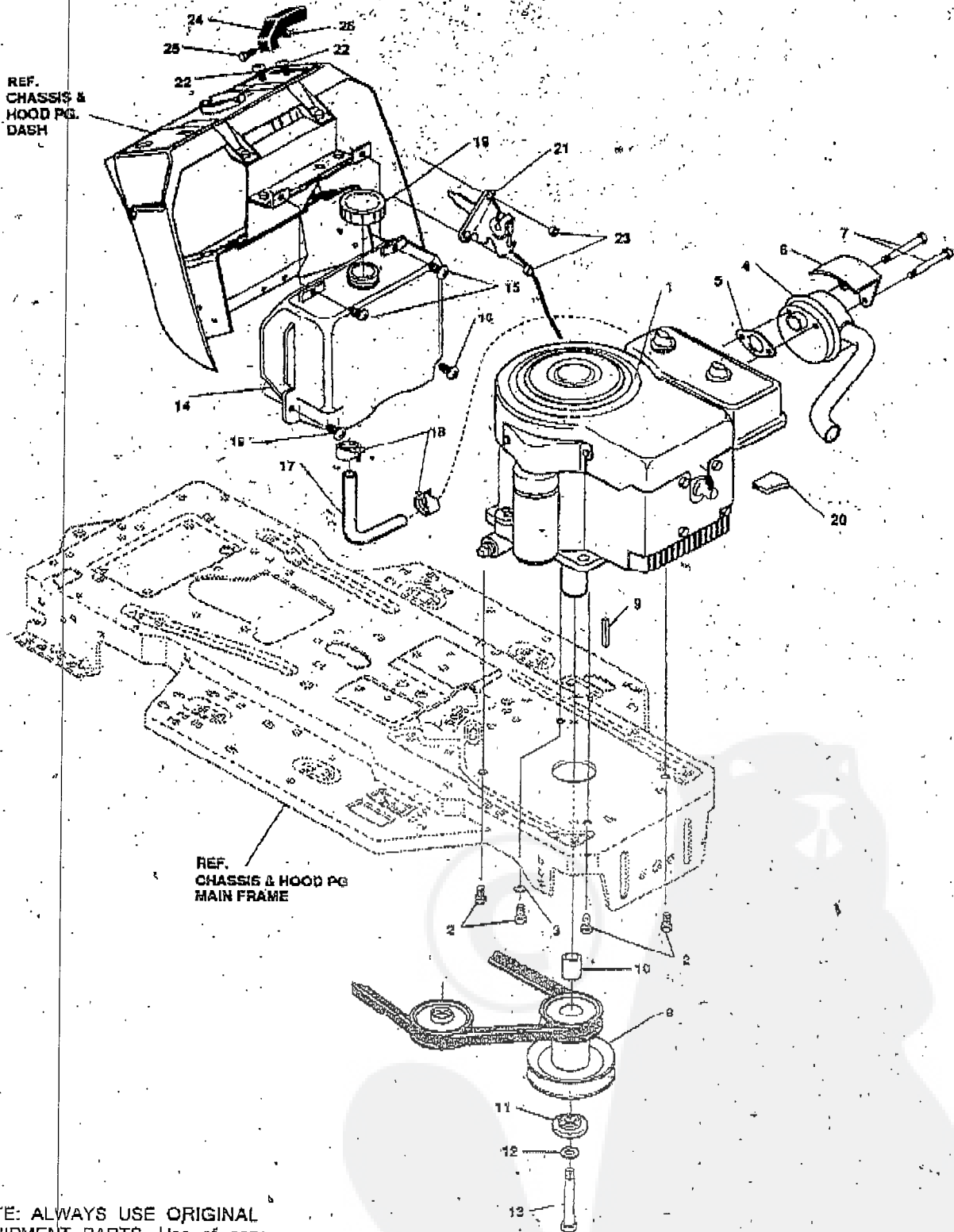
39" LAWN TRACTOR MODEL B3560-640

key#	part#	description	qty.
60	58358	GUIDE-BELT/DRAGLINK	1
61	0180079	SCREW, 5/16-18X1.00 HHC	1
62	045602	WASHER, FLAT .333X .87X 1.19	1
63	01498	NUT, 5/16-18 REGHEXCTRLK	1
64	303278	PLASTIC EXTRUSION-BELT GUIDE	1
65	300308	PEDAL ASSY, BRAKE/CLUTCH LF	1
66	5719.6	ROD PIVOT .50 OD-4.44LG	1
67	57847	SPRING, BRAKE PEDAL	1
68	2968	WASHER, FLAT .504X.75X.059	3
69	20864	RING, RET E .39X.04TRU5133-50	2
70	48160	PAD, CLUTCH BRAKE W/PRINTING	1
72	1 300783	ARM, CLUTCH PULLEY HUB 1.6-18	1
73	045602	WASHER, FLAT .333X .87X 1.19	1
75	39659	RETAINER, STRAP BELT	1
76	35374	PULLEY, IDLER V4L 3.06X .62	1
78	a45692	ROD, 3/8-16 REGHEX CTRLK	1
79	57204	ROD, CLUTCH	1
80	57217	BRACKET, BRAKE ROD	1
81	20507	BOLT, .437X .156 HSSH 5/16-18	1
82	045602	WASHER, FLAT .333X .87X 1.19	1
83	01498	NUT, 5/16-18 REGHEXCTRLK	1
84	57203	ROD, BRAKE LT 920 LF 22.25	1
85	9271184	NUT, 5/16-18 HEXKEPS	1
86	01498	NUT, 5/16-18 REGHEXCTRLK	1
87	56359	SPRING, CLUTCH .113X.750X8.75	1
88	24187	TIRE & RIM, PU 20X10-8 TURFWHI VALVE STEM	2
89			1
90	301366	RIM, WHEEL 25X8.00	1
91	313654	TIRE, PU 21X10X8 RDSH	1
92	57479	SPACER, .75 X 1.25 X 1.32	2
93	301565	SPACER, SLVE .75ID X 1.25OD X .5TK.	2
94	39628	KEY, SQUARE .1875OX2.50LG	2
95	0642	WASHER, FLAT, .765X1.31X.075	4
96	042815	WASHER, FLAT .755X1.53X.07	2
97	36625	RING, RETEX .57X.05TRU5133-75	2
98	40394	CAP, 1.500ID X 7/8LG HUB	2

\*Order Individual Parts.  
 0 Indicates STANDARD HARDWARE ITEMS.

# 39" LAWN TRACTOR MODEL B3560-640

## ENGINE & CONTROL ASSEMBLY



NOTE: ALWAYS USE ORIGINAL EQUIPMENT PARTS. Use of service/replacement parts other than original equipment parts may void your warranty.

ALL UNNUMBERED ITEMS ARE INTERCHANGABLE WITH OPPOSITE SIDE

315584A

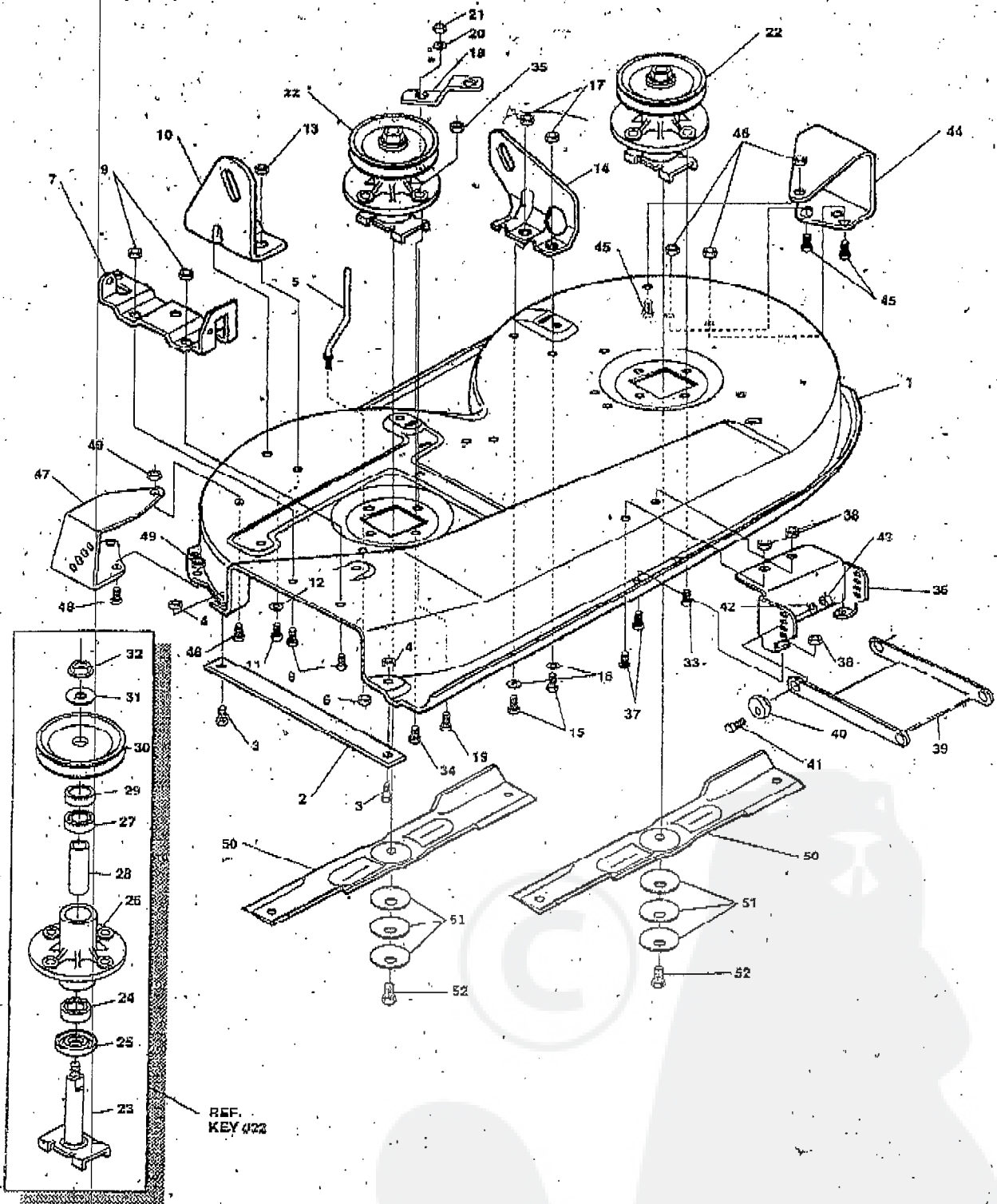
# 39" LAWN TRACTOR MODEL B3560-640

key#	part#	description	qty.
		ENGINE, 12 HP 825 V.C. ECONO	1
2	050947	SCREW, 3/8-16X1.25 WAHHTAP	4
3	138489	WASHER, EXLK 384X.69X.04	1
4	305367	MUFFLER-LO TONE NELSON EXPORT.	1
5	46708	GASKET, MUFFLER	1
6	54767	SHIELD, HEAT, FOR ROUND MUFFLER	1
7	173663	SCREW, 5/16-18X9.50 HHC	2
		PULLEY ASSY, 4.75 OFF 5.5 DIA	1
9	58791	KEY, SQUARE .250SQX5.00LG	1
10	304245	SPACER, 1.01X1.484 ENGIN PULLEY	1
11	56431	WASHER, .980IDX1.380DX.437PILOT	1
12	120383	WASH-ER, REGSP TLK. 459X.79X. 12	1
13	0428644	SCREW, 7/16-20X5.00 HHC	1
14	314991	TANK, FUEL 2-GAL	1
15	0500303	SCREW, .25X.75X.75HHWAPLASTIC	2
16	0995346	SCREW, 1/4-20X.50 WAHHTAP	2
17	47452	GAS LINE .25ID	11/N
18	46672	CLAMP, FUEL LINE	2
19	300304	CAP, FUEL - 2.0 THROAT	1
20	302997	ENGINE SPEED REDUCER	1
21	308159	THROTTLE, CONTROL	1
22	158943	SCREW, 10-24X.63 PHPNMA	2
23	0271166	NUT, #10-24 HEXKEPS	2
24	300508	KNOB, THROTTLE CONTROL HANDGRIP	1
25	0159565	SCREW, #8-32X.38 PHPNMA	1
26	0120622	NUT, #8-32 REGHX	1

0 indicates STANDARD HARDWARE ITEMS.

# 39" LAWN TRACTOR MODEL B3560-640

## PRE-PAINTED DECK ASSEMBLY



**NOTE: ALWAYS USE ORIGINAL EQUIPMENT PARTS.** Use of service/replacement parts other than original equipment parts may void your warranty.

ALL UNNUMBERED ITEMS ARE INTERCHANGABLE WITH OPPOSITE SIDE

316186A

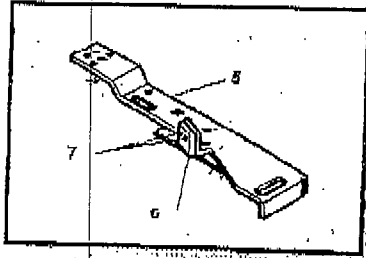
49" LAWN TRACTOR MODEL B3560-640

key#	part#	description	qty
1	315610	DECK, 39" STD MOWER	1
2	57314	BAR, SKID	1
3	126216	BOLT, 5/16-18X.75 CA&	1
4	01498	NUT, 5/16-18 REGHEXCTRLK	1
5	57318	GUIDE, BELT 5/16-18 THD	1
6	01498	NUT, 5/16-18 REGHEXCTRLK	1
7	57360	BRACKET, CHUTE	1
8	0120834	SCREW, 5/16-18X.50 HHC	2
9	01496	NUT, 5/16-18 REGHEXCTRLK	2
10	58250	LIFT BRACKET, REAR, RH	1
11	0180077	SCREW, 5/16-18X.75 HHC	2
12	120393	WASHER, FLAT .344X.69X.065	2
13	01498	NUT, 5/16-18 REGHEXCTRLK	2
14	58251	BRACKET, DECK LIFT REAR LH	1
15	0180077	SCREW, 5/16-18X.75 HHC	2
16	120393	WASHER, FLAT .344X.69X.065	2
17	01498	NUT, 5/16-18 REGHEXCTRLK	2
18	310302	BRACKET, IDLER SUPPORT	1
19	0300345	SCREW, 5/16-18X1.38 WATAP	1
20	120393	WASHER, FLAT .344X.69X.065	1
21	01496	NUT, 5/16-18 REGHEXCTRLK	1
22	56424	QUILL ASSY, 36/39/40/43	2
23	56425	SHAFT/SADDLE 36	1
24	49562	BRNG, BALL	1
25	50616	DUST SHIELD	1
26	55547	QUILL CASTING	1
27	49562	BRNG, BALL	1
28	50818	SPACER, 3.797LGX.669IDX.880D	1
29	51449	SPACER, 4.38LGX.932ODX.672ID-PM	1
30	56390	PULLEY, 2 5/8" QUILL	1
31	56365	SPECIAL WASHER	1
32	01262	NUT, 7/16-20 WDFLLK	1
33	050634	SCREW, 5/16-18X.88 WAHHTAP	6
34	0300345	SCREW, 5/16-18X1.38 WATAP	1
35	01498	NUT, 5/16-18 REGHEXCTRLK	1
36	56315	LIFT SUPPORT FRONT DECK	1
37	0180075	SCREW, 5/16-18X.63 HHC	4
38	01498	NUT, 5/16-18 REGHEXCTRLK	4
39	58305	LINK BRACKET, DECK FR	1
40	58247	ADJUSTING NUT	2
41	0122017	SCREW, 5/16-18X1.00 HHC	2
42	35214	WASHER, FLAT .326X1.06X.062	2
43	01496	NUT, 5/16-18 REGHEXCTRLK	2
44	300103	WHEEL BRKT, LH	1
45	0180075	SCREW, 5/16-18X.63 HHC	3
46	01498	NUT, 5/16-18 REGHEXCTRLK	3
47	300102	WHEEL BRKT, RH	1
48	0180075	SCREW, 5/16-18X.63 HHC	3
49	01498	NUT, 5/16-18 REGHEXCTRLK	3
50	57299	BLADE, 39" STD, LIFT 19.5	2
51	2133	WASHER, 39IDX1.25DX.07 BELLVIL	6
52	039573	SCREW, 3/8-24X1.00 NYLHHC	2

0 Indicates STANDARD HARDWARE ITEMS

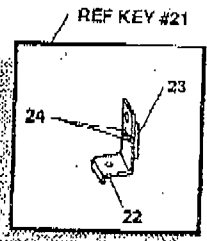
# 39" LAWN TRACTOR MODEL B356D-640

## FINAL DECK ASSEMBLY

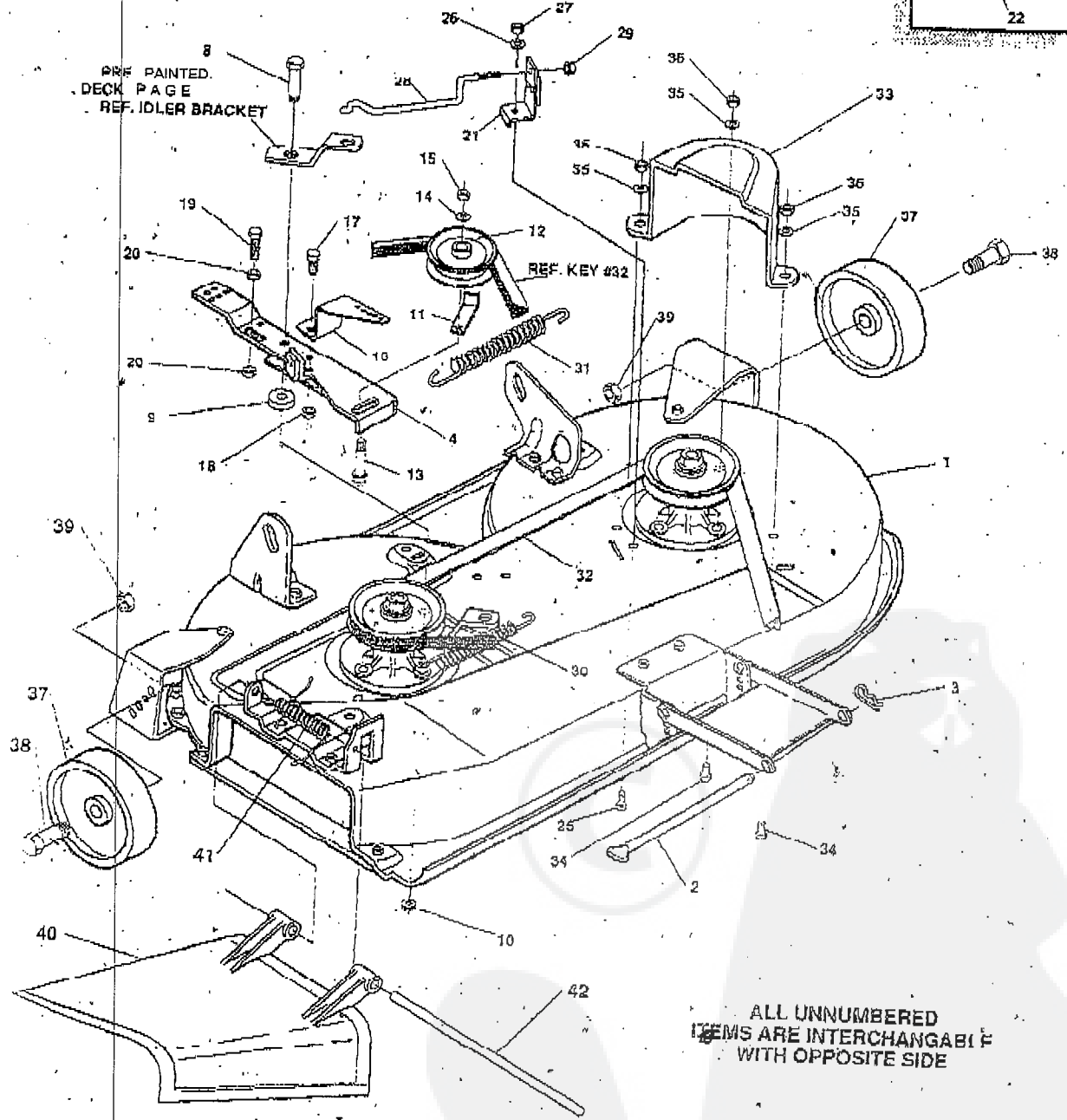


SEE DWG. 316186 FOR PART ASSY OF PAINTED DECK

REF KEY #4



REF KEY #21



PRE PAINTED DECK PAGE REF. IDLER BRACKET

REF. KEY #32

ALL UNNUMBERED ITEMS ARE INTERCHANGABLE WITH OPPOSITE SIDE

**NOTE: ALWAYS USE ORIGINAL EQUIPMENT PARTS.**  
Use of s&-vice/replacement parts other than original equipment parts may void your warranty.

316188A

Part No. 317271

39" LAWN TRACTOR MODEL B3560-640

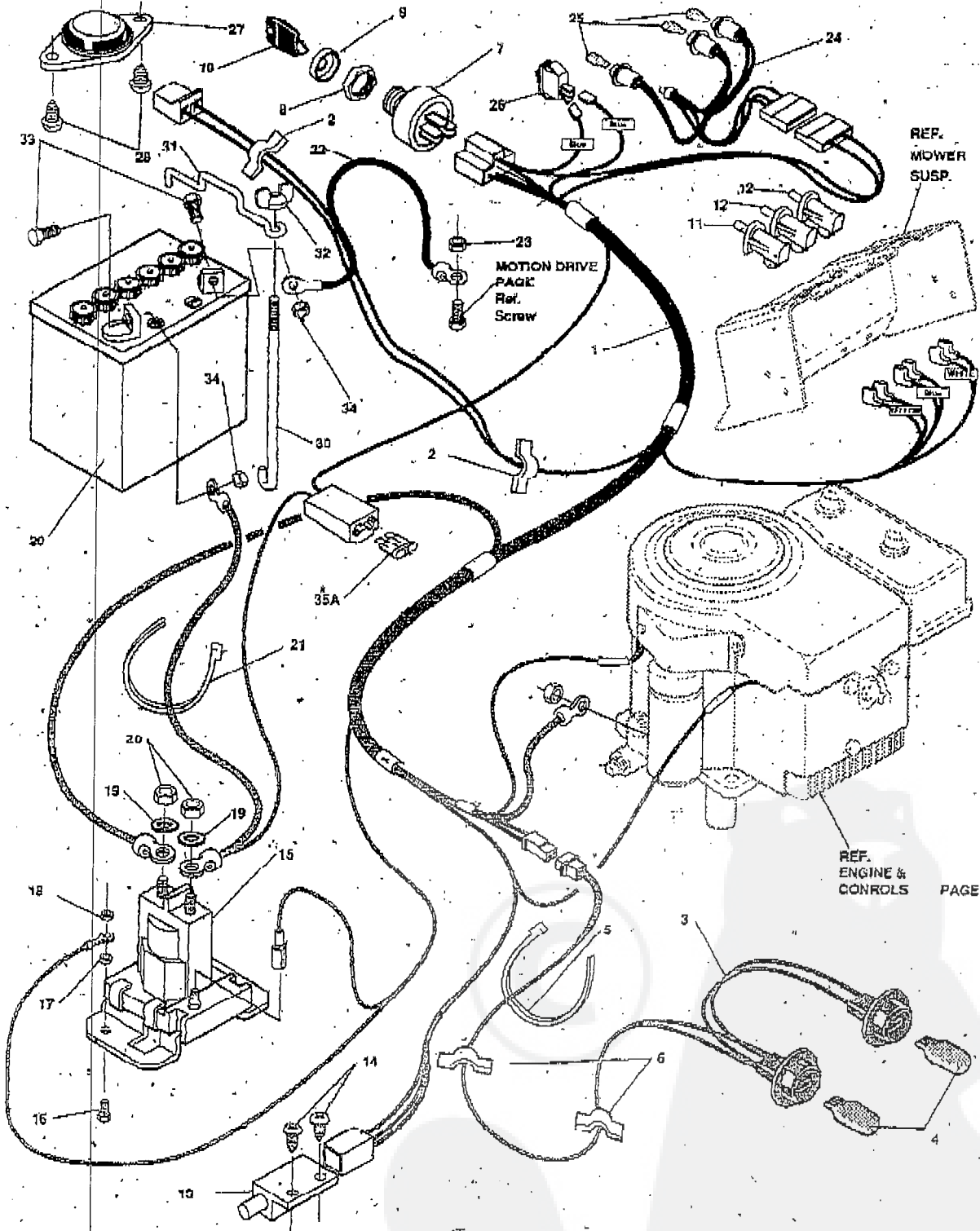
key#	part#	description	qty.
1	316187	DECK ASSY.	1
2	58306	ROD, DECK HITCH	1
3	6260	PIN, HAIR .091DIAX1.66	1
4	300491	BRACKET, IDLER ARM/BRAKE	1
5	8202	IDLER, ARM	1
6	306973	BRAKE PAD	1
7	135624	RIVET, TRSET .185DIAX.41	2
8	300180	BOLT, .50 X1.88 HSSH 3/8-16	1
9	0956416	WASHER, FLAT .391X1.00X.125	1
10	045171	NUT, 3/8-16 HWDFL WHIZ NUT	1
1 1	1346	BELT RETAINER 2.55 OD	1
12	303030	PULLEY, IDLER BFF 4.00 DIA	1
13	57325	BOLT, 3/8-16X2.00 GAAR	1
14	0120382	WASHER, REGSPTLK.393X.68X. 10	1
15	0120377	NUT, 3/8-16 REGHX	1
16	9401	BRACKET, EXTENSION IDLER	1
17	0180077	SCREW, 5/16-18X.75 HHC	1
18	61498	NUT, 5/16-18 REGHEXCTRLK	1
1 9	0121954	SCREW, 1/4-20X2.00 HHC	1
20	0271172	NUT, 1/4-20 REGHEXKEPS	2
21	303247	ASSY. BLADE BRAKE 36,39,45	1
22	12542	BRAKE ARM	1
23	306973	BRAKE PAD	1
24	135624	RIVET, TRSET .185DIAX.41	2
25	0120228	SCREW, 5/16-18X.63 HHC	1
26	0120393	WASHER, FLAT .344X.69X.065	1
27	01498	NUT, 5/16-18 REGHEXCTRLK	1
28	300316	ROD, BRAKE RELEASE	1
29	01502	NUT, 1/4-20 REGHEXCTRLK	1
30	35410	SPRING .071 X .62 X 4.37	1
31	300473	SPRING, TENSION 7.52LG+17LB/IN	1
32	300580	BELT, V5L 77.75 KEVLAR	1
3 3	302833	GUARD, BELT LH	1
34	0120228	SCREW, 5/16-18X.63 HHC	3
3 5	0120303	WASHER, FLAT .344X.69X.065	3
36	01498	NUT, 5/16-18 REGHEXCTRLK	3
37	52584	WHEEL, SD 6.000DX1.38WD.	2
38	23763	BOLT, .500X1.390 HSSH 3/8-16	2
39	01499	NUT, 3/8-16 REGHEXCTRLK	2
40	57618	CHUTE-36SD,39SD,45SD	1
41	314975	SPRING, TORSION	1
4 2	57317	PIVOT ROD, CHUTE	1

STANDARD HARDWARE ITEMS



39" LAWN TRACTOR MODEL B3560-640

ELECTRICAL ASSEMBLY



NOTE: ALWAYS USE ORIGINAL EQUIPMENT PARTS.  
Use of service/replacement parts other than original equipment parts may void your warranty;

ALL UNNUMBERED  
ITEMS ARE INTERCHANGABLE  
WITH OPPOSITE SIDE

3: 5589A

Part 143.31727 1

39" LAWN TRACTOR MODEL B3560-640

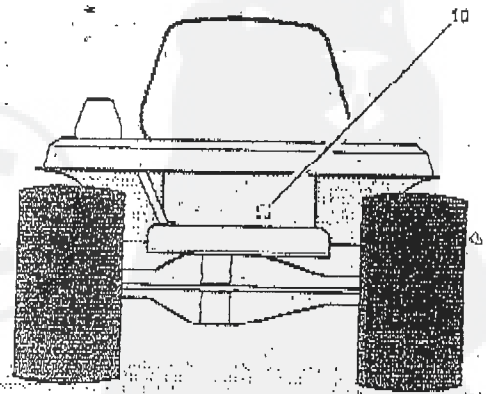
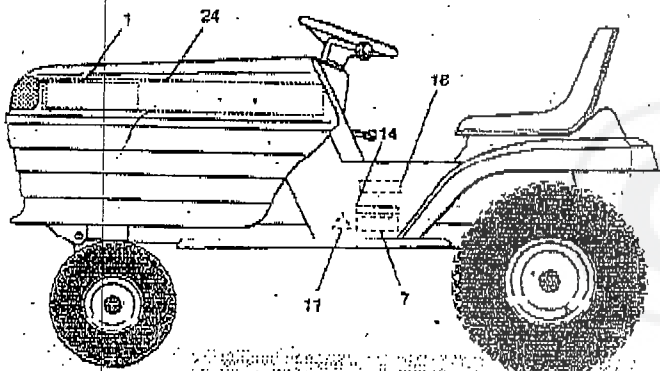
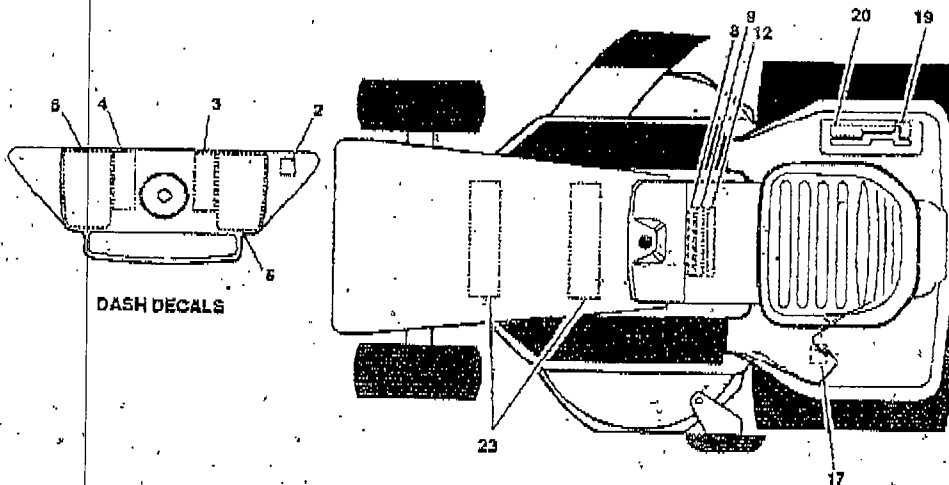
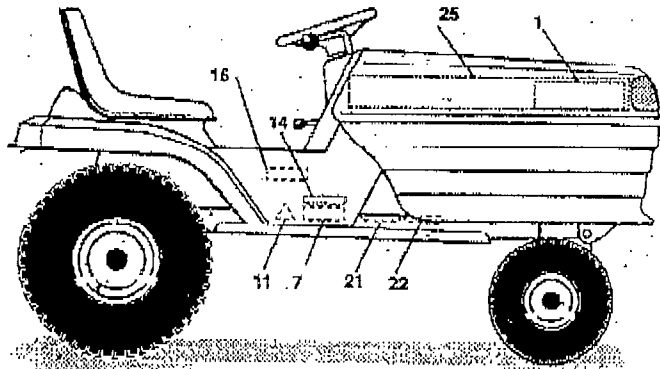
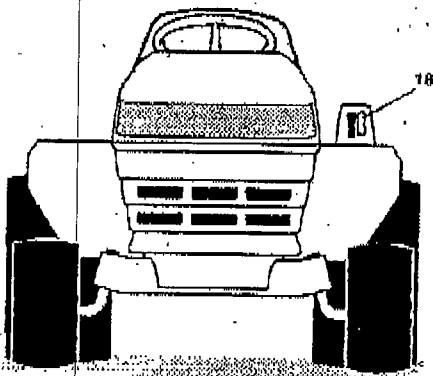
key#	part#	description	qty.
1	300331	WIRE HARNESS GROUND 12B&S 3U3P	1
	41462	CLIP, 1.380LG .255ID PRESS WIRE	2
-3	309064	ASSY, LIGHT WIRE-1/4 TURN	1
4	52572	BULB, HEADLAMP	2
5	57444	TIE, CABLE BLACK	1
6	41482	CLIP, 1.380LG .255ID PRESS WIRE	2
7	300295	SWITCH, IGNITION W/O LIGHTS	1
8	0 3 0 0 1 9 3	NUT, 5/16-32, IGN SWIT	1
9	300194	BOOT, SWITCH	1
10	300626	KEY, IGNITION SWITCH	1
11	300220	SWITCH, SNAPMNT	1
12	58277	SWITCH, SNAPMNT NC .055/.166	2
13	57476	SWITCH, SCR MNT DP NC	1
14	057220	SCREW, #12 X .50 PHPNHTAP	2
15	53716	SOLENOID, NEW CLUM	1
16	0 187745	SCREW, 1/4-20X.75 HXSEMMA	2
17	01502	NUT, 1/4-20 REGHEXCTRLK	2
18	0271172	NUT, 1/4-20 REGHEXKEPS	1
19	138485	WASHER, EXLK .320X.61X.03	2
20	0120358	NUT, 3/16-24 REGHEX	2
21	57444	TIE, CABLE BLACK NYLON 5.62	1
22	55511	WIRE, GROUND, 12.5'	1
23	0271184	NUT, 5/16-18 HEXKEPS	1
24	300965	LIGHT HARNESS 3-IL CHG, MWR, CL	1
25	57169	BULB, INDICATOR	3
26	300334	LIGHT SWITCH ON/OFF	1
27	57547	SWITCH, SEAT	1
28	0160505	SCREW, 1/4-20X.38PHPNHMA	2
29	302257	BATTERY 12V 7 PLATE/	1
30	57551	ROD, BATTERY	1
31	57552	ROD, BATTERY, TOP	1
32	310067	SMALL PLASTIC WING NUT 1/4-20	1
33	0120854	SCREW, 1/4-20X.63 HHC	2
34	0271172	NUT, 1/4-20 REGHEXKEPS	2
35.4	30203	FUSE, 15 AMP SPADE TYPE	1
35B	49211	FUSE, 15 AMP CLYRINDRICAL TYPE	1

STANDARD HARDWARE ITEMS

\*\*Cylindrical or Spade type fuses are included with the wire harness.

39" LAWN TRACTOR MODEL B3560-640

DECALS



NOTE: ALWAYS USE ORIGINAL EQUIPMENT PARTS.  
Use of service replacement parts other than original equipment parts may void your warranty.

ALL UNNUMBERED  
ITEMS ARE INTERCHANGABLE  
WITH OPPOSITE SIDE

315750A

Part No. 317271

# 39" LAWN TRACTOR MODEL B3560-640

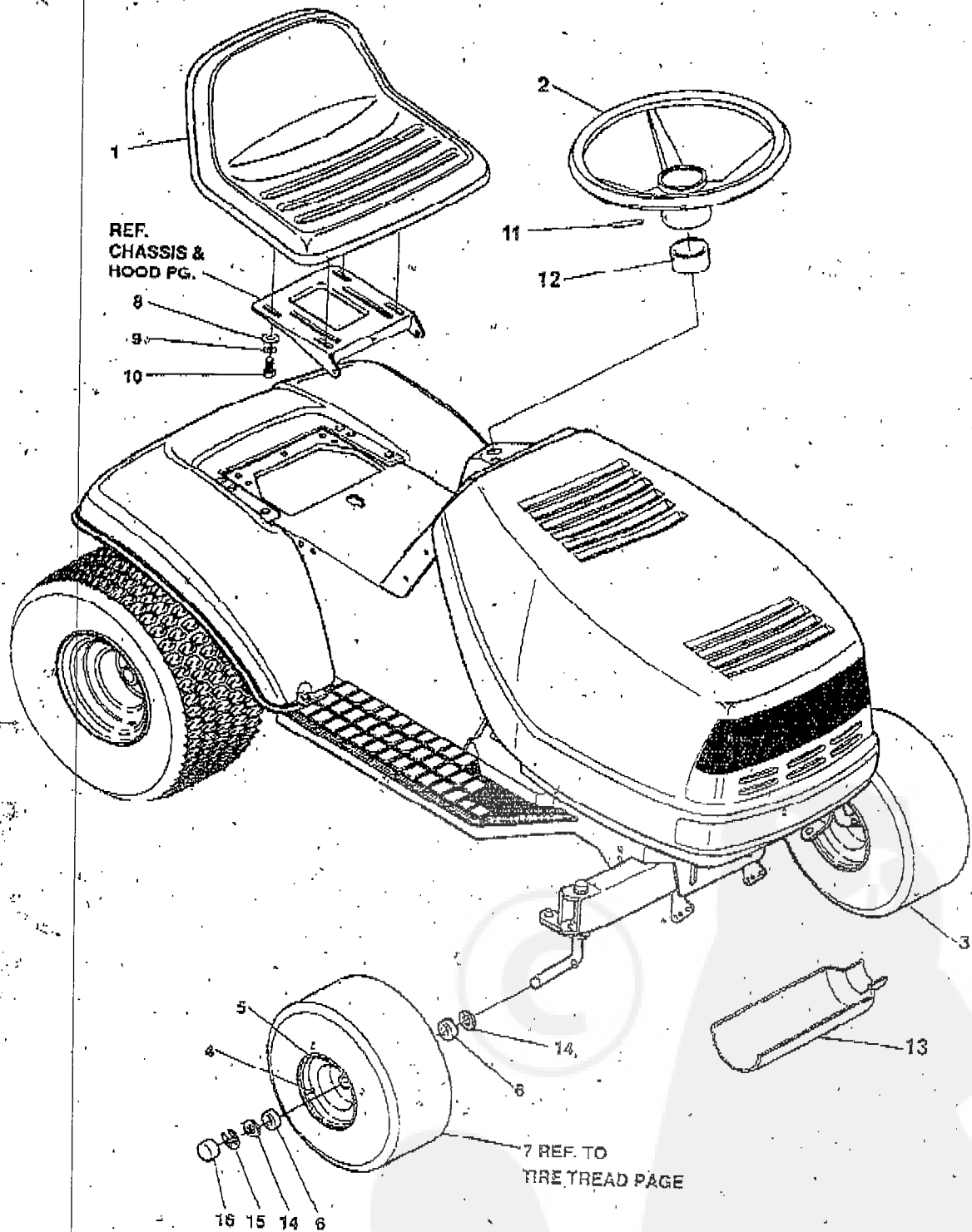
KEY#	PART#	DESCRIPTION	QTY.
1	311198	NAME PLATE AL-KO	2
2	68900	DECAL, BLADE ENGAGE EUROPE	1
3	300445	DECAL, DASH RH	1
4	302049	DECAL, DASH LH	1
5	305766	DECAL, DASH, RH IGN	1
6	305767	DECAL, DASH, LH	1
7	68902	DECAL, WARNING, FRENCH/GERMAN	2
8	69524	DECAL, INSTRUCT CONSOLE TOP GER	1
9	69525	DECAL, INSTRUCT CONSOLE TOP FR	1
10		REFERENCE ONLY	
11	305770	DECAL, CAUTION TRIANGLE EUROPE	2
12	307383	DECAL, INSTR. CONSOLE TOP ENGL	1
13	310436	DECAL, FRENCH SAFETY CERT.	1
14	310.553	DECAL, DANGER ENGLISH	2
15		REFERENCE ONLY	
16	317066	DECAL, CONSOLE T12/100SD	2
17	68901	DECAL, BLADE HEIGHT ADJ. EUROPE	1
18	301897	DECAL, LIFT DECK BLADE HEIGHT	1
19	311394	DECAL SHIFT REV/NEUTRAL	1
20	311395	DECAL SHIFTER POSITION F4360-6	1
21	67667	DECAL CHECK OIL LEVEL	1
22	68903	DECAL, BRAKE/CLUTCH EUROPE	1
23	305603	PAD, 18 X 6 FOAM HOOD	2
24	307276	PAD, 15 X 7 FOAM HOOD	1
25	307277	PAD, 12 X 4 FOAM HOOD	1

Part No. 317271

23

# 39" LAWN TRACTOR MODEL B3560-540

## CUSTOMER ASSEMBLY



316185B

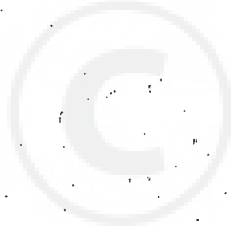
Part No. 317271

## CUSTOMER ASSEMBLY VIEW

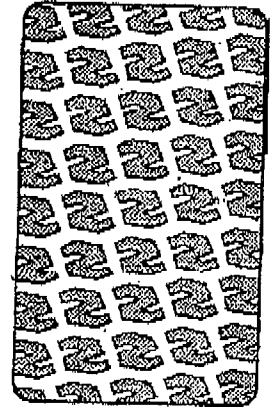
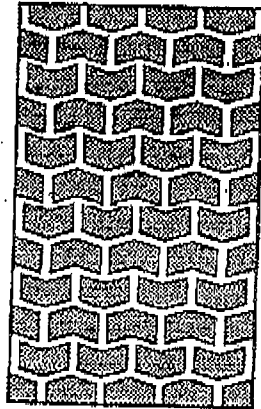
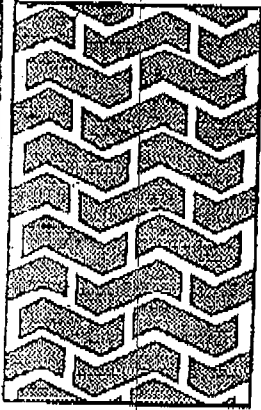
315857 PARTS BAG ASSY QTY1

key#	part#	description	qty
1	57454	SEAT.450 MICH.	1
2	301251	WHEEL, STEERING, 13"	1
3	302828	TIRE & RIM, PU 16X6.0X6 TURF	2
4	24167	VALVE STEM	1
5	38029	WHEEL W/BRG.	1
6	3 9 9 7 9	BEARING,FL.1.38OD+.753ID PM	2
7		REFER TO TIRE TREAD PAGE	
8	120393	WASHER, FLAT .344X.69X.065	4
9	120538	WASHER, HVSP TLK .328X.80X.09	4
10	122007	SCREW, 5/16-18X.75 HHG	4
11	456378	PIN, SPRING.250DIA X2.00LG HVPL	1
12	57212	COVER, STEERING SHAFT	1
13	54873	TROUGH, OIL DRAIN	1
14	642	WASHER, FLAT .755X1.31X.075	4
15	36025	RING, RETEX .57X.05TRU5133-75	2
16	40394	CAP, 1.500ID X 7/8LG HUB	2

\* Order Individual Parts.



# TREAD PATTERNS



TIRE SIZE	"A"	"B"	"C"	"D"
11 x 4.00-5	42295			
43 X 5.00 - 6	41060			
15X6.00-6	301140	316702	39830	343952
16-X 6.50 - 8		41081		314539
18 X 6.50 - 8				
48X9.50-8		316701		313950
20X8.00 - 8	314584			
20 X 10.00 - 8	58276			
20 X 10.00 - 10		55893		313565
23X9.50-12	314370			
23 X 9.50 - 12		53655		

316711.A

Part No. 317271

## ACCESSORIES

Contact the dealer where your tractor was purchased for the available accessories. If you are unable to contact the dealer, write to the address on the front cover of this manual.

### Rear Engine Rider

Model	Description
5708-1 6	Bagger - Fits 32" Side Discharge
5708-1 7	Bagger - Fits 36" Side Discharge
5709-02	Front Weight Box - holds 35 lbs.
5640-16	Lawn Sweeper w/dump Release

### Lawn Tractor

Model	Description
5708-22	Bagger - Fits 30" Side Discharge
5708-1 3	Bagger - Fits 36", 38", 39" & 45" Side Discharge
5705-04	36" Two-Stage Snowblower - Fits 36", 38", 39", & 45" Side Discharge
5661-06	42" Snowblade - Fits 36", 38", 39" & 45"
5592-00	Tire Chains - 18" x 8.50"
5585-00	Tire Chains - 18" x 9.50" & 20" x 8
5672-01	Wheel Weights - Front - 1 pr. w/mtg. hdw. - Fits 15" tires
5673-02	Wheel Weights - Rear - 1 pr. w/mtg. hdw. - Fits 18" & 20" tires
5709-03	Front Weights - Fits 30" & 32" Side Discharge
5648-1 6	Lawn Sweeper w/dump Release

### Garden Tractor - Light Ground Engaging

Model	Description
5708-1 3	Bagger - Fits 36", 38", 39", & 45" Side Discharge
5705-04	36" Two - Stage Snowblower - Fits 36", 38", 39", & 45"
5661-06	42" Snowblade - Fits 36", 38", 39", & 45"
5672-01	Wheel Weights - Front - 1 pr. w/mtg. hdw. - Fits 15" tires
5673-02	Wheel Weights - Rear - 1 pr. w/mtg. hdw. - Fits 18" & 20" tires
5648-16	Lawn Sweeper w/dump Release
5667-02	Sleeve Hitch - w/lift bar - Fits 45"
5668-01	Adaptor (sleeve hitch) for use w/23" tires
5706-00	Tire Chains - 20" x 10"
5671-00	Tire Chains - 23" x 9.50"
5672-02	Wheel Weights - Front - 1 pr. w/mtg. hdw. Fits 15" tires
5673-00	Wheel Weights - Rear - 1 pr. w/mtg. hdw. Fits 23" tires
5674-01*	10" One Bottom Moldboard Plow
5675-01*	Cultivator - 7 row - Adj. 6" - 42" width
5676-01*	Disc Harrow - 8" & 11" Disc - Adj. width & disc angle
5677-02	Tiller - 5 H.P. Self-Powered - 26" width

### Four Wheel Steer

Model	Description
5708-1 4	Bagger - Fits 40" & 46" Side Discharge
5705-04	42" One-Stage-Snowblower - Fits 40" & 46"
5661-07	46" Snowblade - Fits 40" & 46"
5708-04	Rear Weight Box for 40" & 46"
5646-16	Lawn Sweeper w/dump Release
5706-00	Tire Chains 20" x 10
5671-00	Tire Chains 23" x 9.50
5672-02	Wheel Weights - Front - 1 pr. w/mtg. hdw. Fits 15" tires
5673-00	Wheel Weights - Rear - 1 pr. w/mtg. hdw. Fits 23" tires
5672-01	Wheel Weights - Front - 1 pr. w/mtg. hdw. Fits 15" tires
5673-02	Wheel Weights - Rear - 1 pr. w/mtg. hdw. Fits 18" & 20" tires

### Four Wheel Steer Garden Tractor

Model	Description
5667-04	Sleeve Hitch - w/lift bar Fits 46"
5674-01*	10" One Bottom Moldboard Plow
5675-01*	Cultivator - 7 row - Adj. 6" - 42" width
5676-01*	Disc Harrow 8" & 11" Disc - Adj. width & disc angle
5677-02	Tiller 5 H.P. Self-Powered - 26" width
5646-1 6	Lawn Sweeper w/dump Release

\*Requires a sleeve hitch

Part No. 37271