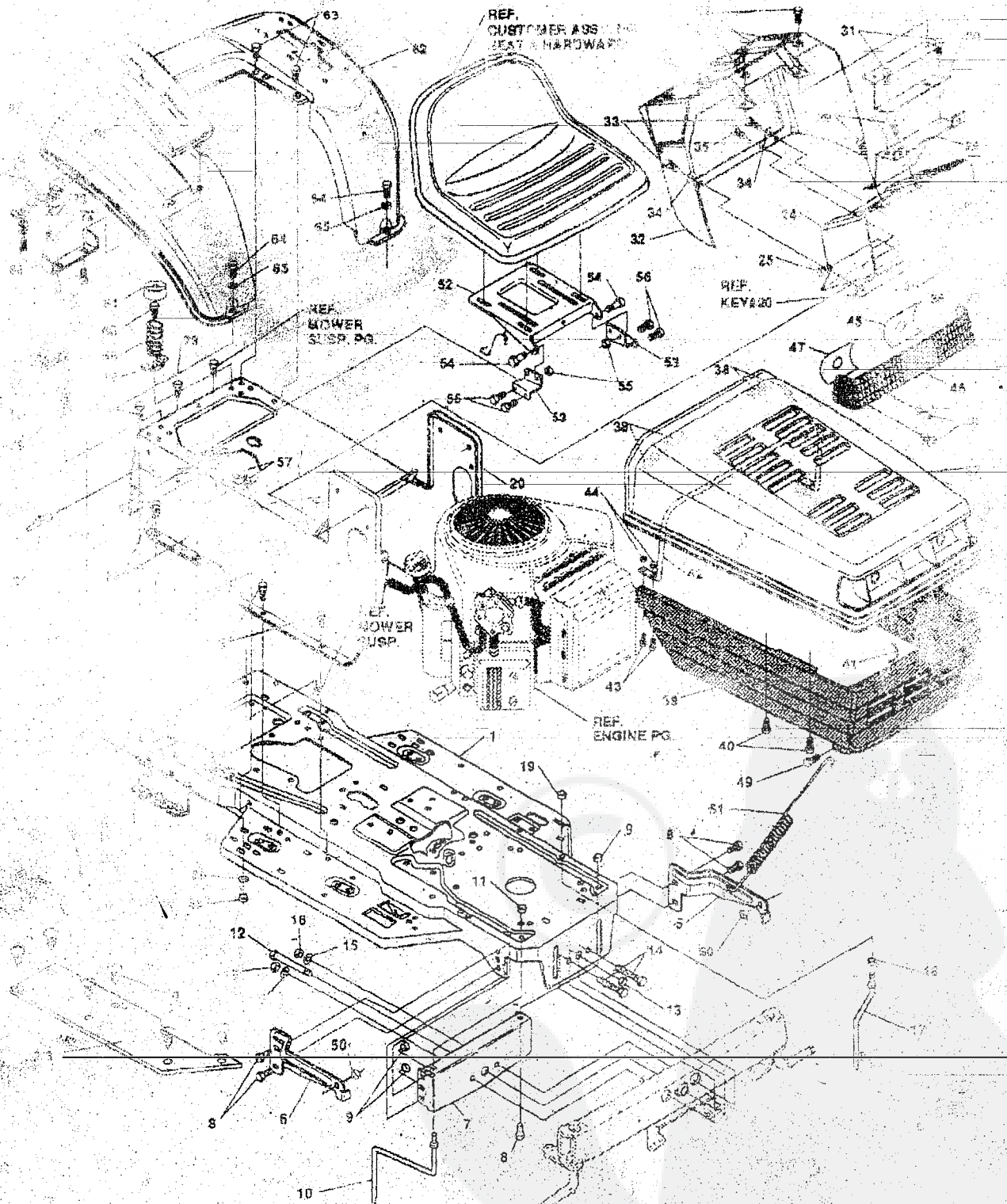


B 3560 - 650

3¹/₂ LAWN TRACTOR MODEL B3560-650

WHEELS & HOOD ASSEMBLY



NOTE: ALWAYS USE ORIGINAL EQUIPMENT PARTS. Use of service/replacement parts other than original equipment parts may void your warranty.

REF. STEERING PG. FRONT AXLE ASSY

ALL UNNUMBERED ITEMS ARE INTERCHANGABLE WITH OPPOSITE SIDE

316528A

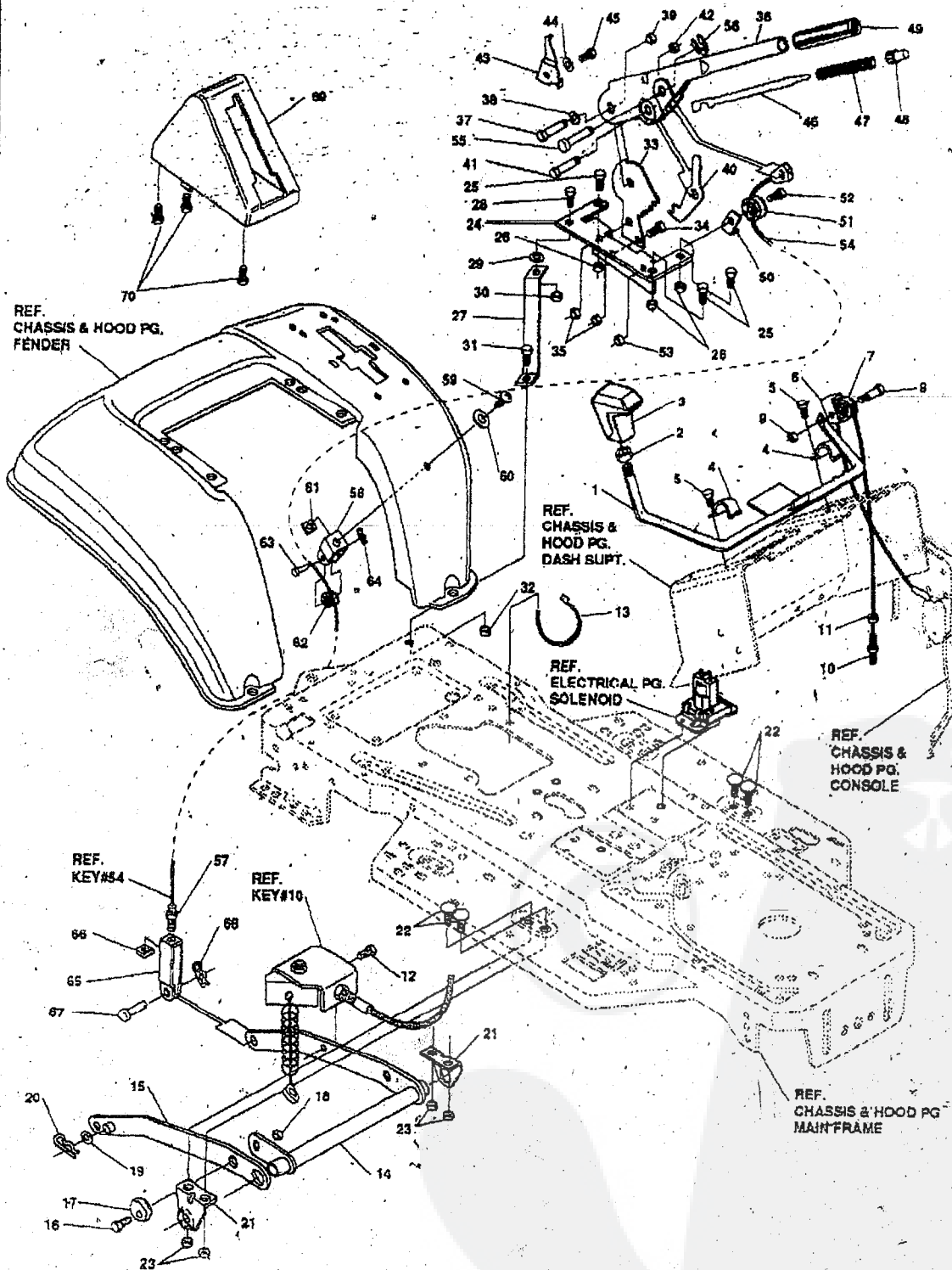
43" LAWN TRACTOR MODEL B3560-650

key#	part#	description	qty.
1	315967	FRAME	1
2	310005	FOOTPAD,LH	1
3	310006	FOOTPAD,RH	1
4	309235	FASTENER, RATCHET	12
5	9785	BRACKET,GRILLE LH	1
6	9784	BRACKET,GRILLE R H	1
7	56361	BRACKET, FRONT AXLE	1
8	056030	S C R E W , 5/16-18X.75WDFLLK	5
9	055273	NUT, 5/16-18 HXWDFLLK	5
10	300440	GUIDE, BELT, RIDER	1
11	01498	NUT, 5/16-18 REGHEXCTRLK	1
12	308207	BOLT, .625X2.180 HSH 1/2-13'	1
13	0309008	NUT, 1/2-13 REGHCTRLK	1
14	0122207	SCREW, 3/8-16X3.00 HHC	2
15	2483	WASHER, 39IDX1.25DX.07 BELLVIL	2
16	01499	NUT, 3/8-16 REGHXCTRLK	2
17	300635	GUIDE,SHORT BELT RIDER 15"WH	1
18	0124824	NUT, 5/16-18 HEXJAM	1
19	0271190	NUT, 3/8-16 HEXKEPS	1
20	315918	CONSOLE, W/O TOP SHIFT	1
21	46763	RIVET, POP .187DIA X .450LG	1
22	035497	SCREW, 5/16-18X .50'WAHTAP	1
23	0995346	SCREW, 1/4-20X .50 WAHTAP	12
24	9132	SUPPORT, DASH	1
25	0300303	S C R E W , 25X.75X.75HHWAPLASTITE	2
26	9197	BRACE, DASH SUPT LOWER	1
27	01502	NUT, 1/4-20REGHEXCTRLK	1
28	9744	BRKT, GAS TANK	1
29	0995346	SCREW, 1/4-20X .50 WAHTAP	2
30	9208	BRACE, DASH SUPT UPPER	1
31	09, 95346	SCREW, 1/4-20X .50 WAHTAP	2
32	305429	D A S H	1
33	0995346	SCREW, 1/4-20X .50 WAHTAP	4
34	316868	WASHER,SHOULDER NYLON .255X.46	4
35	044811	SCREW, 1/4-20X .75 HXWATAP	1
36	01502	NUT, 1/4-20 REGHEXCTRLK	2
37	307033	HOOD	1
38	302502	PAD,ADHESIVE 1.00 X	4
39	303037	GRILLE, LWR	1
40	0300302	SCREW, #10 X .50 HHTAPPST	4
41	310203	CLIP,HOG RING C-SHAPED	1
42	301425	BRACE,HOOD SUPPORT	1
43	0301542	SCREW, 10-2451.00HWATAPBLKPHOS	4
44	0271166	NUT, #10-24 HEXKEPS	1
45	302333	LENS, SMOKED W/TAB	1
46	301.541	FOIL, REFLECTOR LENS, LH	1
47	301540	FOIL, REFLECTOR LENS, RH	1
48	057796	SCREW, #6 X .50 PLASTITE	4
49	5 6 8 7 6	BOLT, .375X .580 HSH 5/16-18	2
50	01498	NUT, 5/16-18 REGHEXCTRLK	2
51	57478	SPRING, HOOD LATCH	2
52	304761	PLATE, SEAT	1
53	310444	BRACKET, SEAT SUPPORT	1
54	20507	BOLT, .437X .156 HSH 5/16-18	2
55	01498	NUT, 5/16-18 REGHEXCTRLK	2
56	0120228	SCREW, 5/16-18X .63 HHC	4
57	0 1 4 9 8	NUT, 5/16-18 REGHEXCTRLK	4
58	57153	SPRING,SEAT 2.63LG,1.49OD	2
59	1341	CLAMP,SPRING 1.17"ID,ZPL	2
60	044811	SCREW, 1/4-20X .75 HXWATAP	2
61	56907	COVER,SEAT SPRING 1.5IDX1.0	2
62	3 12405	FENDER, FDR SHIFT	1
63	0995346	SCREW, 1/4-20X .50 WAHTAP	4
64	0122017	SCREW, 5/16-18X1.00 HHC	2
65	0446363	WASHER, FLAT .375X .88X.082	4
66	01498	NUT, 5/16-18 REGHEXCTRLK	2
67	55021	TRIM,STRIP	77.5IN
68	313213	BRKT COVER, FNDR SHIFT	1
69	311209	COVER PLASTIC	1
70	0311331	SCREW, 1/4-15X.44/53 HILOHHWA	2
71	1341	CLAMP,SPRING 1.17"ID	2
72	0311331	SCREW, 1/4-15X.44/53 HILOHHWA	2
73	0120392	WASHER, FLAT .281X .83X.065	4
74	317990	OPERATOR'S MANUAL (NOT ILLUSTRATED)	1
75	317852	PARTS MANUAL (NOT ILLUSTRATED)	1

∅ Indicates STANDARD HARDWARE ITEMS.

43" LAWN TRACTOR MODEL B3560-650

MOWER SUSPENSION ASSEMBLY



NOTE: ALWAYS USE ORIGINAL EQUIPMENT PARTS. Use of service/replacement parts other than original equipment parts may void your warranty.

ALL UNNUMBERED ITEMS ARE INTERCHANGABLE WITH OPPOSITE SIDE

315597A

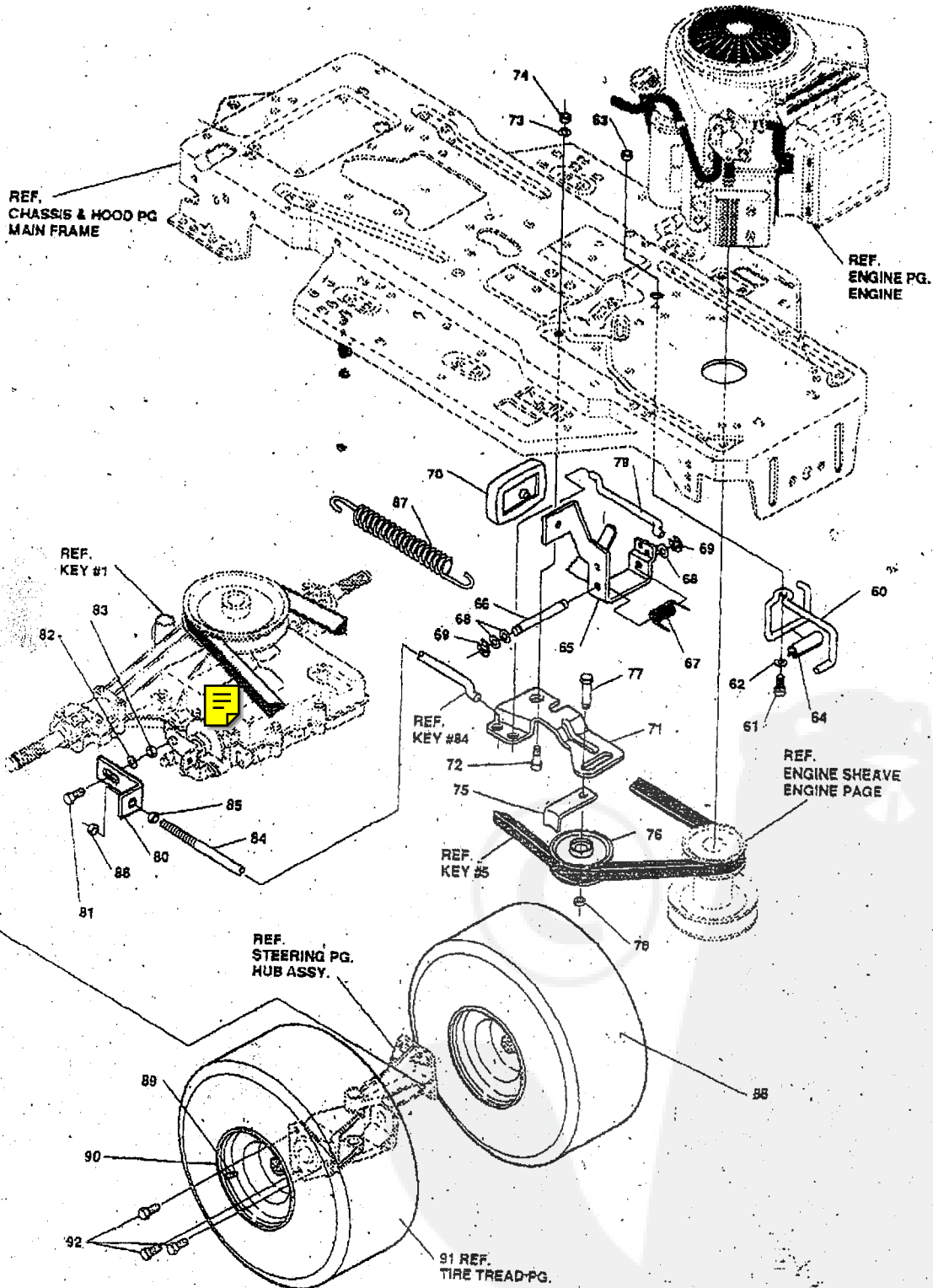
43" LAWN TRACTOR MODEL B3560-650

key#	part#	description	qty
1	9792	ASSY,WELD,CLUTCH HANDLE	1
2			
3	0120228304438	KNOB,SHIFT HEXJAM	1
4			
5	0922338	SCREW, 1/4-20 X .83 BRKT HH-WATAP	1
6	1288	BRACKET,CABLE RETAINER	1
7	39296	PULLEY, .906X.305 NYLON	1
8	57322	BOLT, .375X.375 HSSH 1/4-20	1
9			
11	01502	NUT, 1/4-20 REGHEXCTRLK	1
12	0120375	ASSY,1/4-20 CABLE RETAINER	1
		SCREW,	
13	57444	TIE, CABLE BLACK	1
14	9186	ASSY,REAR LIFT, 5.62L	1
15			
16	0180079	SCREW, 5/16X1.00 HHC	1
17	058247	ADJUSTING NUT	1
18	01498	NUT, 5/16-18 REGHEXCTRLK	1
19	0120396	WASHER, FIAT .531X1.06X.095	2
21	9117	BRACKET,REAR HANGERSUSP.	2
20	8260	PIN, HAIR .091DIA X 1.66LG	2
22	126211	BOLT, 5/16-18X.63 CARR	46
23	01498	NUT, 5/16-18 REGHEXCTRLK	4
24	58333	BRACKET,HEIGHT ADJUST	1
25	0180077	SCREW, 5/16-18X.75 HHC	3
26	01498	NUT, 5/16-18 REGHEXCTRLK	3
27			
28	304765	BRACE, FENDER	1
29	0045602 18079	WASHER, 18X1 FLAT .333X .00 HHC.87X.119	1
30			
31	01498 180079	NUT, 5/16-18X1.00 REGHEXCTRLK HHC	1
32	01498	NUT, 5/16-18 REGHEXCTRLK	1
33			
34	0380238	QUAD RANT, 5/16-18X.75 HHC	2
35	01498	NUT, 5/16-18 REGHEXCTRLK	2
36	9788	HANDLE,LIFT HEIGHT ADJUST	1
37	300171	BOLT, .500X.270 HSSH 5/16-18	1
38	99641%	WASHER, FLAT .506X .75X.024	1
39	044108	NUT, 5/16-18 HWDFLCTRLK	1
40	301239	PAWL, HEIGHT ADJUST	1
41	300171	BOLT, .500X.270 HSSH 5/16-18	1
42	044108	NUT, 5/16-18 HWDFLCTRLK	1
43	9435	POINTER,HEIGHT ADJUST	1
44	138479	WASHER, EXLK.195X.41X.03	1
45	035287	SCREW, #8-32X.38 HH-WATAPGR2	1
46	303027	ROD,ACTUATOR-SHORT	1
47	56326	SPRING, HEIGHT ADJUST	1
48		KNOB,HEIGHT ADJUST PUSH BUTTON	1
49	58329	GRIP, .750 OD W/ HOLE BLK	1
50	9149	BRACKET,CABLE RETAINER	1
51	39296	PULLEY, .906X.305 NYLON	1
52	58333	BOLT, .375X.375 HSSH 1/4-20	1
53	01502	NUT, 1/4-20 REGHEXCTRLK	1
54	314177	CABLE, LIFT 23.30 F-5 20X8-8	1
55	300310	PIN,CLEVIS .310DIA-.475LG	1
56	300311	RING, RET E .31X.24	1
57	0120375	NUT, 1/4-20 REGHEX	1
58	9233	CLEVIS	1
59			
60	04301551	WASHER, .344DIA X 1.50DX.09 HHC	1
61	0120373	NUT, 5/16-18 SQ	1
62	39298	PULLEY, .906X.305 NYLON	1
63	300317	PIN,CLEVIS .310DIA X 1.00 LG	1
64	8260	PIN, HAIR .091DIA X 1.66LG	1
65	9405	CLEVIS,LIFT CABLE	1
66	0120372	NUT, 1/4-20 REGSQ	1
67	35522	PIN,CLEVIS .312 X .812	1
68	121222	PIN,COTTER .090/.085X.75LG	1
69	100335	LIFT COVER-35	1
70	0300340	SCREW, #10 X .75 HHPLAST	3

◇ STANDARD HARDWARE ITEMS

43" LAWN TRACTOR MODEL B3560-650

MOTION DRIVE ASSEMBLY



NOTE: ALWAYS USE ORIGINAL EQUIPMENT PARTS.
 Use of service/replacement parts other than original equipment parts may void your warranty.

**ALL UNNUMBERED
 ITEMS ARE INTERCHANGABLE
 WITH OPPOSITE SIDE**

3155918

43" LAWN TRACTOR MODEL 33560-650 .

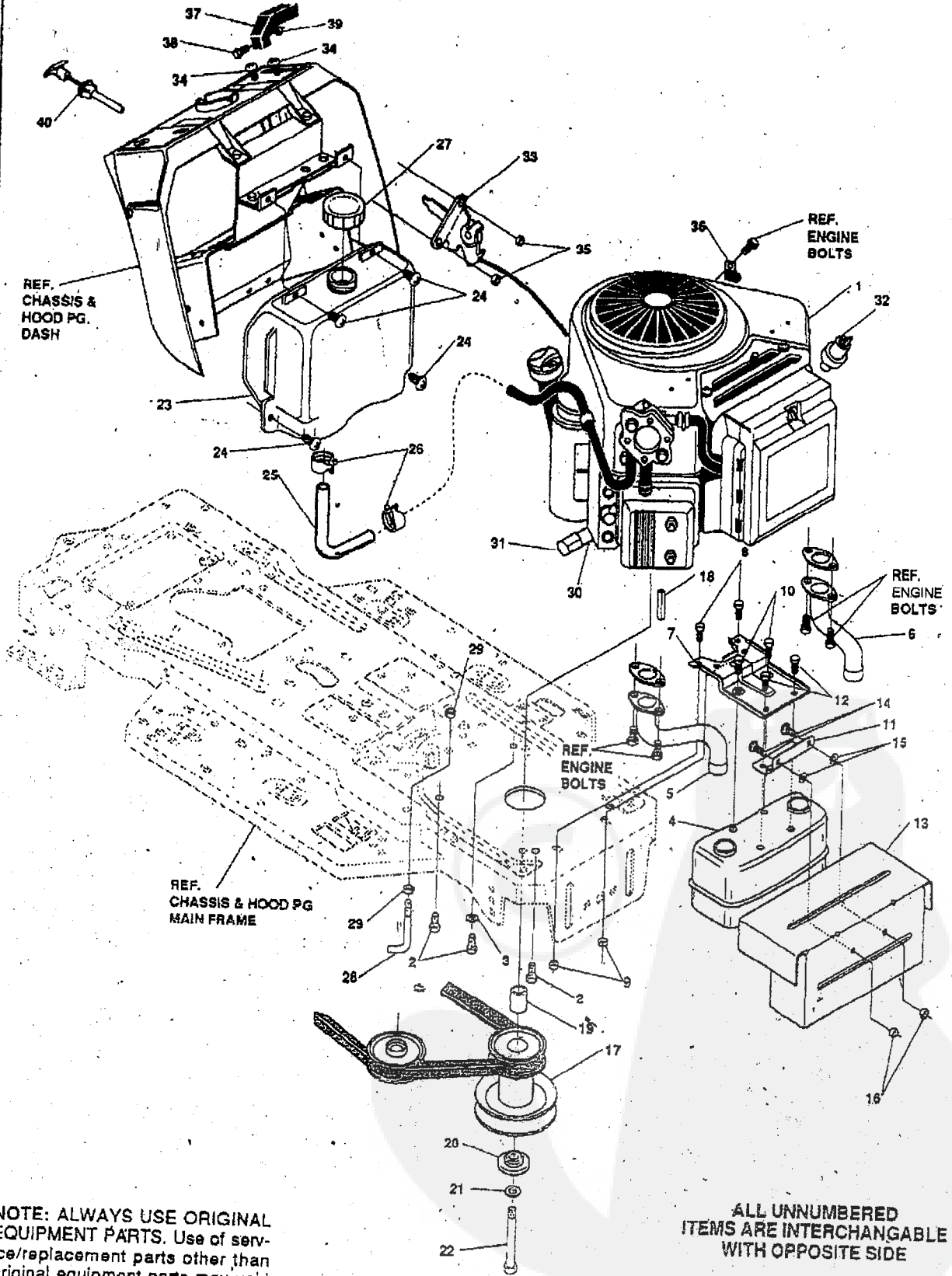
key#	part#	description	qty.
60	315359	GUIDE-BELT/DRAGLINK	1
61	◊180079	SCREW, 5/16-18X1.00 HHC	1
62	45602	WASHER, FLAT .333X .87X.119	1
63	01498	NUT, 5/16-18 REGHEXCTRLK	1
64	303278	PLASTIC EXTRUSION-BELT GUIDE	1
65	300308	PEDAL ASSY, BRAKE/CLUTCH	1
66	57196	ROD, PIVOT, .50 OD+4.44LG	1
67	57847	SPRING, BRAKE PEDAL	1
68	2968	WASHER, FLAT .504X.75X.059	3
69	20864	RING, RET E. 39X.04TRU5133-50	2
70	88160	PAD, CLUTCH BRAKE	1
71	300154	ARM, IDLER TRACTION DR.	1
72	300793	BOLT, .625X .135 HHSH 5/16-18	1
73	45602	WASHER, FLAT .333X .87X.119	1
74	6 1 4 9 6	NUT, 5/16-18 REFHEXCTRLK	1
75	396659	RETAINER, STRAP BELT	1
76	35374	PULLEY, IDLER V4L 3.06X .62	1
77	45692	BOLT, 3/8-16X1.50 CARR	1
78	04499	NUT, 3/8-16 REGHXCTRLK	1
79	57204	-ROD, CLUTCH	1
80	57217	BRACKET, BRAKE ROD	1
81	20507	BOLT, .437X .156 HHSH 5/16-18	1
82	45602	WASHER, FLAT .333X .87X.119	1
83	◊1498	NUT, 5/16-18 REGHEXCTRLK	1
64	313659	ROD, BRAKE P920 4WS LF 23.50	1
85	◊271164	NUT, 5/16-18 HEXKEPS	1
86	◊1498	NUT, 5/16-18 REGHEXCTRLK	1
6 7	313660	SPRING, CLUTCH .113X.750X8.75	1
88	.	TIRE & RIM, PU 20-10X8 WHIT134	2
89	24167	VALVE STEM	1
90	316667	RIM, WHEEL 20X8	1
91		REFER TO TIRE TREAD PAGE	
92	◊123418	SCREW, 1/2-20X.50 HHC	6

* Order Individual Parts.

◊ Indicates STANDARD HARDWARE ITEMS.

43" LAWN TRACTOR MODEL B3560-650

ENGINE & CONTROL ASSEMBLY



NOTE: ALWAYS USE ORIGINAL EQUIPMENT PARTS. Use of service/replacement parts other than original equipment parts may void your warranty.

ALL UNNUMBERED ITEMS ARE INTERCHANGABLE WITH OPPOSITE SIDE

316541A

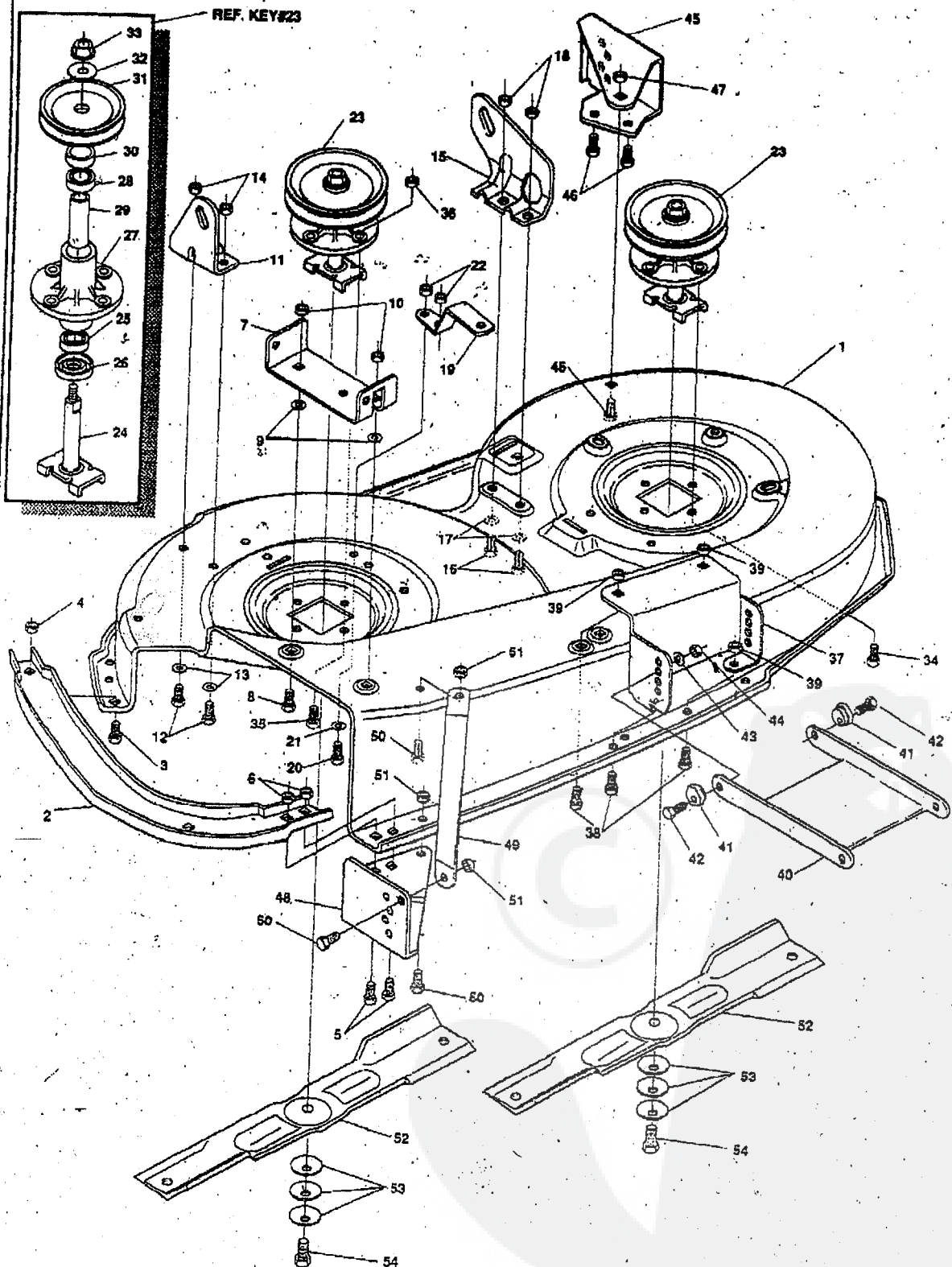
43" LAWN TRACTOR MODEL B3560-650

key#	part#	description	qty.
1	ENGINE	14HP BS V/TWIN 16AMP (SEE ENGINE MANUAL)	1
2	050847	SCREW, 3/16-18X1.25 WAHHTAP	4
3	136469	WASHER, EXLK 364X.69X.04	1
4	305553	MUFFLER 15HP B&S VANG	1
5	305554	EXHAUST TUBE 15HP RH	1
6	305555	EXHAUST TUBE 15HP LH	1
7	308577	BRACKET, MUFFLER	1
8	056030	SCREW, 5/16-18X.75WDFLLK GRS	1
9	0-56273	NUT, 5/16-18 HXWDFLLK	2
10	0995346	SCREW, 1/4-20X.50 WAHHTAP	2
11	9796	BRKT, TRANSAXLE	2
12	0995338	SCREW, 1/4-20X.63 HHWATAP	1
13	308144	HEAT SHIELD, MUFFLER	2
14	126211	BOLT, 5/16-18X.63 CARR	1
15	309436	PUSHNUT, 5/16 BOLT RETAINER	2
16	055273	NUT, 5/16-18 HXWDFLLK	2
17	316802	PULLEY, ENG 4.40OFF/5.00D/3.00D	2
18	57791	KEY, SQUARE .250SQX5.00LG	1
19	304246	SPACER, 1.01X1.484 ENGIN PULLEY	1
20	56431	WASHER, .980IDX1.38ODX.437PILOT	1
21	0120383	WASHER, REGSPTLK.459X.78X.12	1
22	0428644	SCREW, 7/16-20X5.00 HHC	1
23	3149991	TANK, FUEL	1
24	049050	SCREW, 1/4-10X.75PHPNTAPGR	1
25	47452	GAS LINE	6
26	48672	CLAMP, FUEL LINE	10
27	300304	CAP, FUEL - 2.0 THROAT	2
28	301713	ROD, UPSTOP	1
29	045171	NUT, 3/8-16 HWDFL WHIZ-LOCKZN	1
30	307174	NIPPLE 3/8-18 NPT X 4"	2
31	47828	CAP, PIPE 3/8-18 NPT	1
32	314797	OIL SENSOR, B&S TWIN CYL	1
33	309092	THROTTLE CONTROL 34.00LG	1
34	0159943	SCREW, 10-24X.63PHPNMA GR2BK	1
35	0271166	NUT, #10-24 HEXKEPS	2
3 6	57569	RETAINER, .311DX.62X.03 WIRE	2
37	300508	KNOB, THROTTLE CONTROL HANDGRIP	1
3 8	0159585	SCREW, W-32X .38 PHPNMA	1
39	0120622	NUT, #8-32 REGHX	1
40	309093	CHOKE CONTROL 42.0LG .32PAN	1

♦ Indicates STANDARD HARDWARE ITEMS.

43 LAWN TRACTOR MODEL B3560-650

PRE-PAINTED DECK ASSEMBLY



NOTE: ALWAYS USE ORIGINAL EQUIPMENT (DARTS). Use of service/replacement parts other than original equipment parts may void your warranty.

ALL UNNUMBERED ITEMS ARE INTERCHANGABLE WITH OPPOSITE SIDE

315657A

43" LAWN TRACTOR MODEL B3560-650

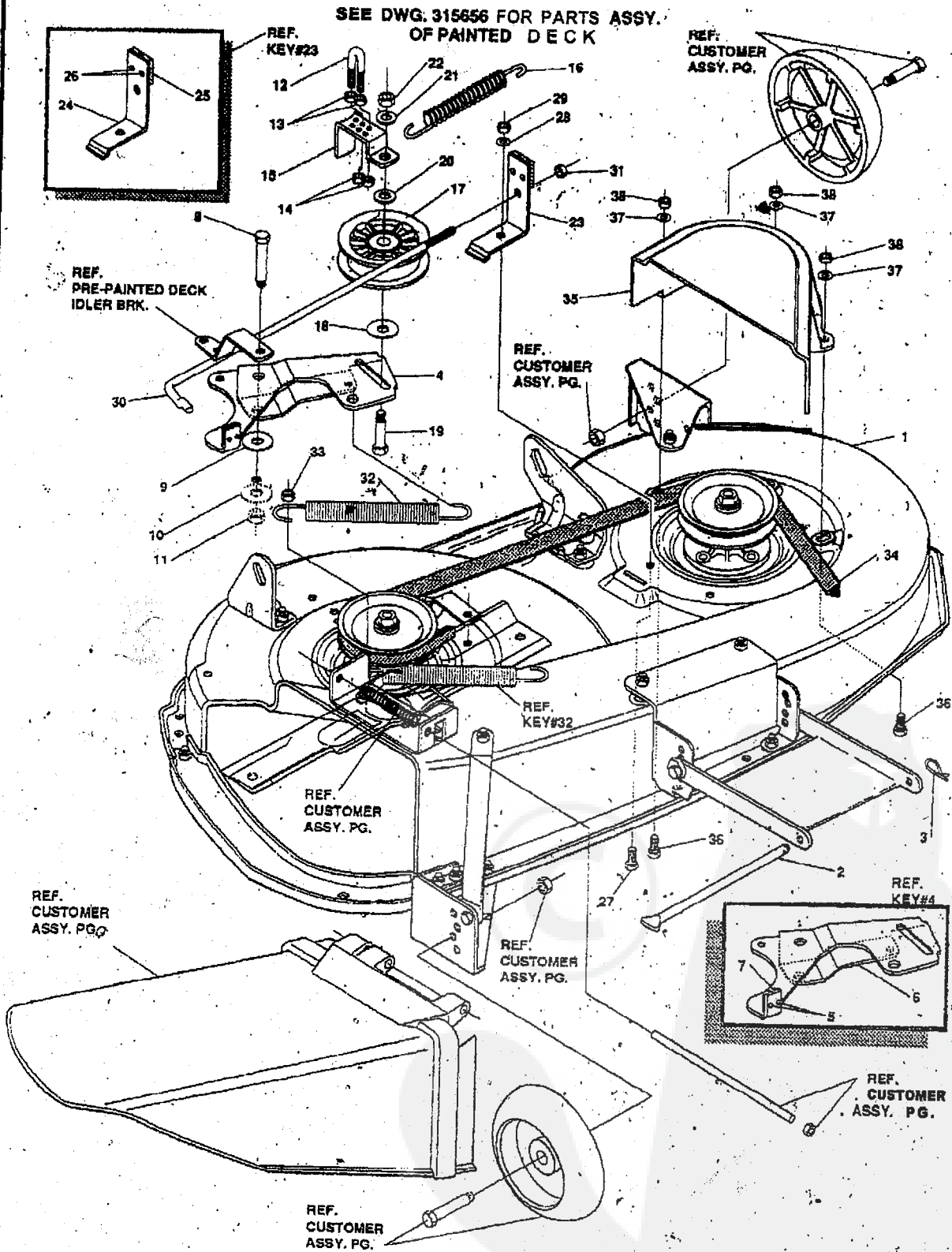
key#	part#	description	qty.
1	317038	MOWER DECKS, RIDER 43"	1
2	304102	TOE GUARD	1
3	180075	SCREW, 5/16-18X.63 HHC	1
4	1498	NUT, 5/16-18 REGHEXCTRLK	1
5	122007	SCREW, 5/16-18X.75 HHC	2
6	1498	NUT, 5/16-18 REGHEXCTRLK	2
7	302364	BRACKET CHUTE MOUNT	1
8	180075	SCREW, 5/16-18X.63 HHC	1
9	120393	WASHER, FLAT .344X.69X.065	2
10	1498	NUT, 5/16-18 REGHEXCTRLK	2
11	58250	LIFT, BRACKET, REAR, RH	1
12	180077	SCREW, 5/16-18X.75 HHC	2
13	120393	WASHER, FLAT .344X.69X.065	2
14	1498	NUT, 5/16-18 REGHEXCTRLK	2
15	58251	BRACKET, DECK LIFT REAR LH	1
16	190077	SCREW, 5/16-18X.75 HHC GR5	2
17	120393	WASHER, FLAT .344X.69X.065	2
18	1 4 9 8	NUT, 5/16-18 REGHEXCTRLK	2
19	302363	BRACE IDLER	1
20	180077	SCREW, 5/16-18X.75 HHC	2
21	120393	WASHER, FLAT .344X.69X.065	2
22	44108	NUT, 5/16-18 HWDFLCTRLK	2
23	58424	QUILL ASSY, 36/39/40/43	2
24	56425	SHAFT/SADDLE 36"	1
25	49562	BRNG, BALL	1
26	50616	DUST SHIELD	1
27	55547	QUILL CASTING (1046)	1
28	49562	BRNG, BALL	1
29	50818	SPACER, 3.797LGX.669IDX.88OD	1
30	51449	SPACER, .438LGX.932ODX.672ID	1
31	56390	PULLEY, 26/36" QUILL V5L	1
32	56365	SPECIAL WASHER	1
3	3	NUT, 7/16-20 WDFLLK	1
3 4	50634	SCREW, 5/16-18X.88 WAHHTAP	7
35	300345	SCREW, 5/16-18X1.38 WATAP	1
36	1498	NUT, 5/16-18 REGHEXCTRLK	1
37	313778	BRACKET FRNT.	1
38	180075	SCREW, 5/16-18X.63 HHC	4
39	1498	NUT, 5/16-18 REGHEXCTRLK	4
40	58305	LINK BRACKET, DECK FR	1
41	58247	ADJUSTING NUT	?
42	122017	SCREW, 5/16-18X1.00 HHC	2
43	35214	WASHER, FLAT .328X1.06X.062	2
44	1 4 9 8	NUT, 5/16-18 REGHEXCTRLK	2
45	304426	BRACKET, GAGE WHEEL L.H.	1
46	180075	SCREW, 5/16-18X.63 HHC	3
4 x	1498	NUT, 5/16-18 REGHEXCTRLK	3
48	313925	BRACKET, GAGE WHEEL R.H. FRNT	1
49	314282	BRACKET, STABILIZER	1
50	180075	SCREW > 5/16-18X.63 HHC	3
51	1498	NUT, 5/16-18 REGHEXCTRLK	3
52	314369	BLADE, 43" STC-UFT21.78	2
53	2483	WASHER, .39IDX1.25DX.07 BELLVIL	6
54	3 9 5 7 3	SCREW, 3/8-24X1.00 NYLHHC	2

* Raw part number. For a list of Painted part numbers refer to chart on decal page.

BOLD descriptions on parts page apply to box items and/or parts bag items.

43" LAWN TRACTOR MODEL B3560-650

FINAL DECK ASSEMBLY



NOTE: ALWAYS USE ORIGINAL EQUIPMENT PARTS.
 Use of service/replacement parts other than original-equipment parts may void your warranty.

ALL UNNUMBERED ITEMS ARE INTERCHANGABLE WITH OPPOSITE SIDE

315596A

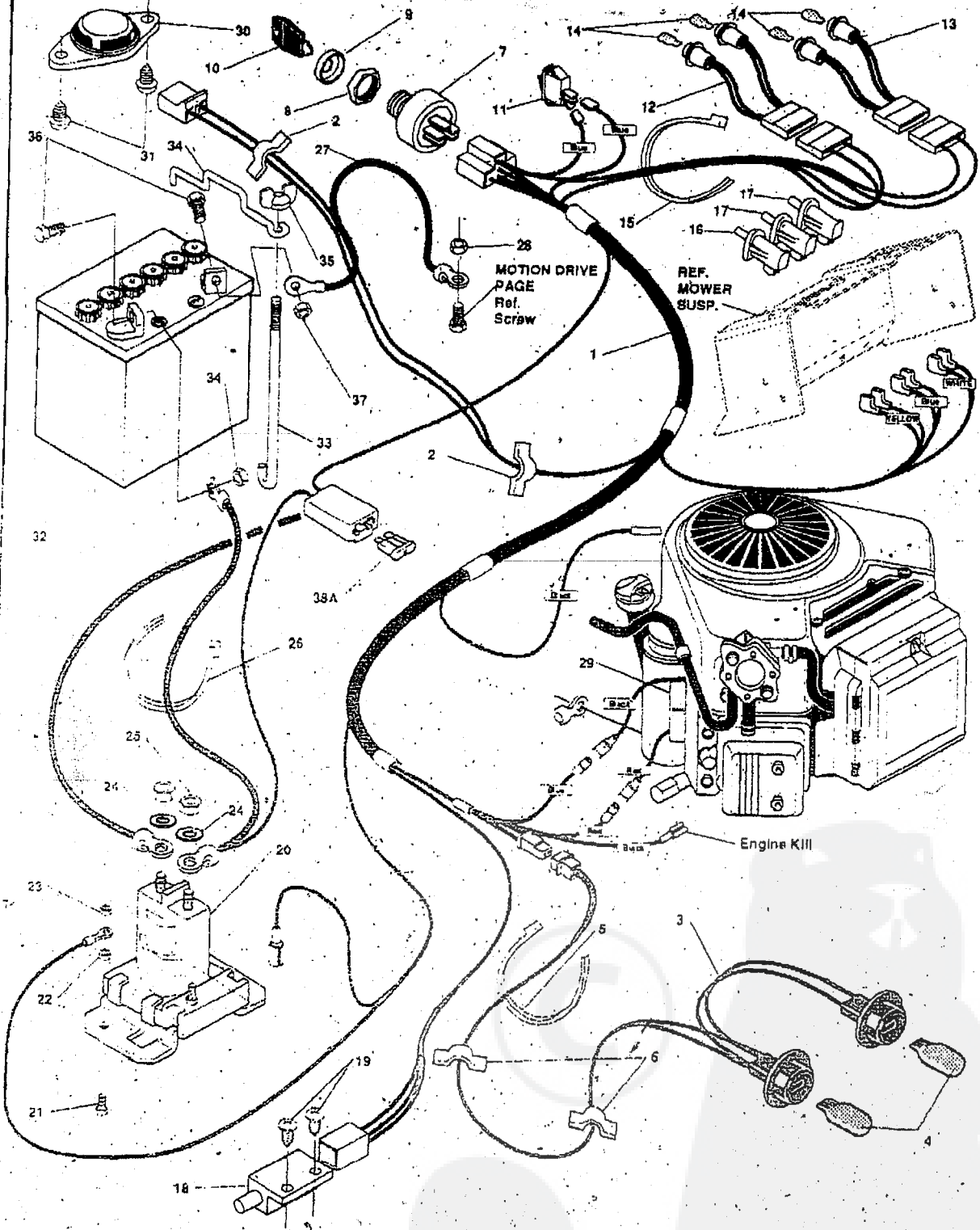
43" LAWN TRACTOR MODEL B3560-650

key#	part#	description	qty
1		DECK ASSEMBLY, 43" MOWER 2-WH EXP	1
2	58306	ROD, DECK HITCH	1
3	8260	PIN, HAIR .091DIA X 1.66LG	1
4	304414	ASSY. IDLER ARM	1
5	41601	RIVET, OVSET .187DIA X .50LG ST	2
6	305298	ARM IDLER	1
7	306973	BRAKE PAD	1
8	304420	BOLT, 500X2.15 HXHDCPSH	1
9	0996307	WASHER, FLAT .391X1.00X.209	1
10	0996416	WASHER-FLAT .391X1.00X.125	2
11	645171	NUT, 3/8-16 HWDFL WHIZ-LOCK	1
12	317303	U-BOLT 10-24 X .30 X .85	1
13	0271166	NUT, X 10-24 HEXKEPS	2
14	0997316	NUT, #10-24 REGHEXCTRLK	1
15	315873	GUIDE, BELT, IDLER	1
16	314107	SPRING, TENSION 5.00LG+17LB/IN	1
17	310326	PULLEY, IDLER BFF 4.00 WDE FL	1
18	25210	WASHER, FLAT .392X1.25X.09	1
19	5732.5	BOLT, 3/8-16 X 2.00 CARR	1
20	0996307	WASHER, FLAT .391X1.00X.209	1
21	0120382	WASHER, REGSPTLK.393X.68X.10	1
22	0120377	NUT, 3/8-16 REGHX	1
23	304118	BLADE BRAKE ASSY.	1
24	308241	BRAKE	1
25	306973	BRAKE PAD	1
26	135524	RIVET, TRSET .185DIA X .41LG ST	2
27	0120228	SCREW, 5/16-18 X .63 HHC	1
28	120393	WASHER, FLAT .344X.69X.065	1
29	01498	NUT, 5/16-18 AEGHEXCTRLK	1
30	314079	ROD, BRAKE	1
31	01502	NUT, 1/4-20 REGHEXCTRLK	1
32	35410	SPRING .071X.62 X 4.37	1
33	01498	NUT, 5/16-18 REGHEXCTRLK	1
34	314108	BELT, V 5L 86.00 KEVLAR	1
35	314106	GUARD, BELT LH PLASTIC	1
36	0120228	SCREW, 5/16-18 X .63 HHC	3
37	0120393	WASHER, FLAT .344X.69X.065	3
38	01498	NUT, 5/16-18 REGHEXCTRLK	3

* ORDER INDIVIDUAL PARTS.
 ◊ STANDARD HARDWARE ITEMS

43" LAWN TRACTOR MODEL B3560-650

ELECTRICAL ASSEMBLY



NOTE: ALWAYS USE ORIGINAL EQUIPMENT PARTS.
Use of service/replacement parts other than original equipment parts may void your warranty.

ALL UNNUMBERED
ITEMS ARE INTERCHANGABLE
WITH OPPOSITE SIDE

317710

Part No. 317852

43" LAWN TRACTOR MODEL B3560-650

key#	part#	description	qty.
1	317084	WIRE HARNESS 14-16B&SVANG GP :	1
2	41482	PRESS CLIP, 1.380LG 255ID	2
3	303064	ASSY, LIGHT WIRE-1/4 TURN	1
4	52572	BULB, HEADLAMP	1
5	57444	TIE, CABLE BLACK NYLON 5.62L	2
6	47482	PRESS CLIP, 1.380LG 255ID	1
7	305720	SWITCH-IGN.(AFTER FIRE) 3 POSN	2
8	300193	NUT, 5/8-32 IGN SWIT PLAS	1
9	300194	BOOT, SWITCH	1
10	300626	KEY, IGNITION SWITCH	1
11	300334	LIGHT SWITCH ON/OFF PANEL MNT.	1
12	317005	LIGHT HARNESS 2 I.L. MOWER/CL	1
13	305702	HARNESS LIGHT 2 I.L.	1
14	57769	BULB, INDICATOR	4
15	57444	TIE, CABLE BLACK NYLON 5.62L	4
16	300220	SWITCH, SNAPMNT NO .055/.116	1
17	58277	SWITCH, SNAPMNT NC .055/.166	1
18	57476	SWITCH, SCR MNT DP NC NO	2
19	57220	SCREW, #12 X SO PHPNHTAP	1
20	53716	SOLENOID	2
21	0187745	SCREW, 1/4-20X.75HXSEMMA	1
22	1502	NUT, -114-x) REGHEXCTRLK	2
23	271172	NUT, 1/4-20 REGHEXKEPS	2
24	138485	WASHER, EX LK .320X.61X.03	1
25	120368	NUT, 5/16-24 REGHEX	2
26	57444	TIE, CABLE BLACK NYLON 5.62L	2
27	55511	WIRE, GROUND, 12.5'	1
28	271184	NUT, 5/16-18 HEXKEPS	1
29	315602	REGULATOR, SEN VOLT BS W/SENSOR	1
30	57547	SWITCH, SEAT	1
31	150505	SCREW, 1/4-20X.38PHPNHMAGR2	1
32	302257	BATTERY 12V 7 PLATE/	2
33	57551	ROD, BATTERY	1
34	57552	ROD, BATTERY, 'TOP'	1
35	310067	NUT, WING 1/4-20, SMALL PLASTIC	1
36	120854	SCREW, 1/4-20X.63 HHC	2
37	271172	NUT, 1/4-20 REGHEXKEPS	2
38A	302031	FUSE #5 AMP SPADE TYPE	2
38B	49211	FUSE #15 AMP CLYRINDRICAL TYPE	2

*STANDARD HARDWARE ITEMS

**Cylindrical or Spade type fuses, are included with the wire harness

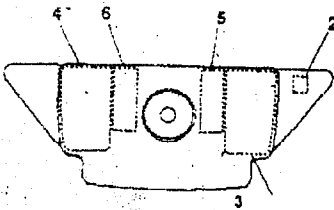
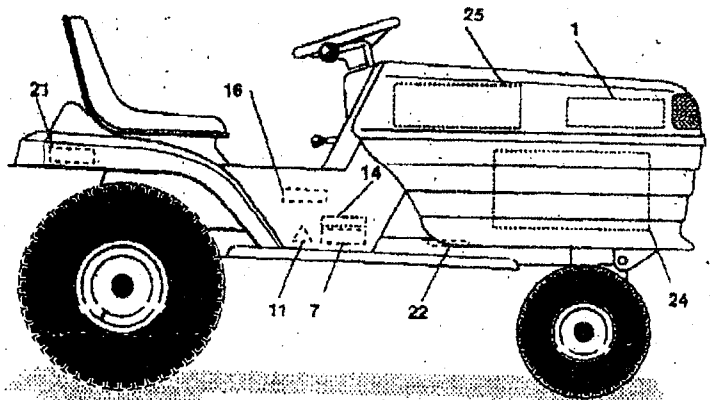
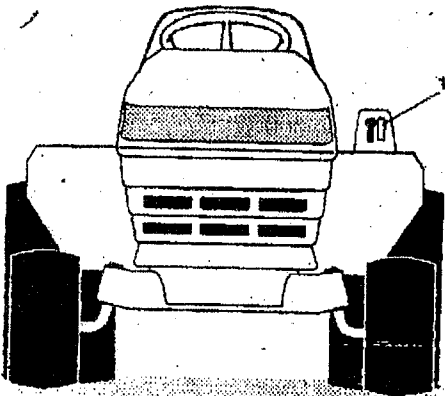
43"

LAWN

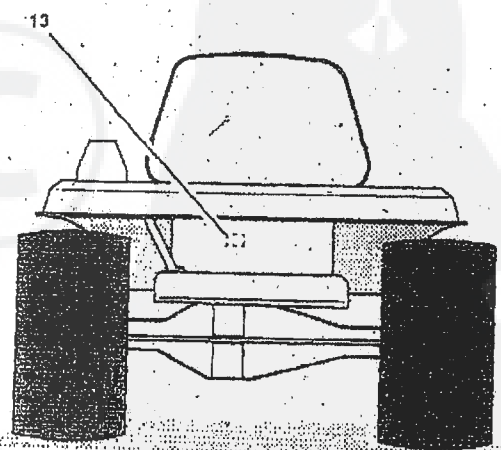
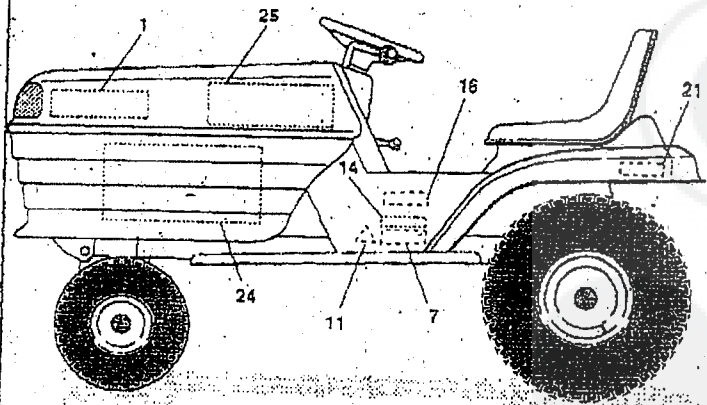
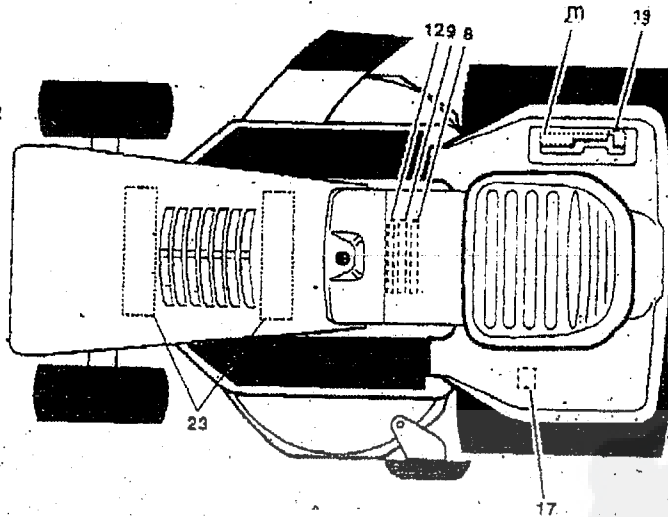
TRACTOR

MODEL B3560-650

DECALS



DASH DECALS



NOTE: ALWAYS USE ORIGINAL EQUIPMENT PARTS.
 (Use of service/replacement parts other than original equipment parts may void your warranty.)

ALL UNNUMBERED
 ITEMS ARE INTERCHANGABLE
 WITH OPPOSITE SIDE

315751A

43" LAWN TRACTOR MODEL B3560-650

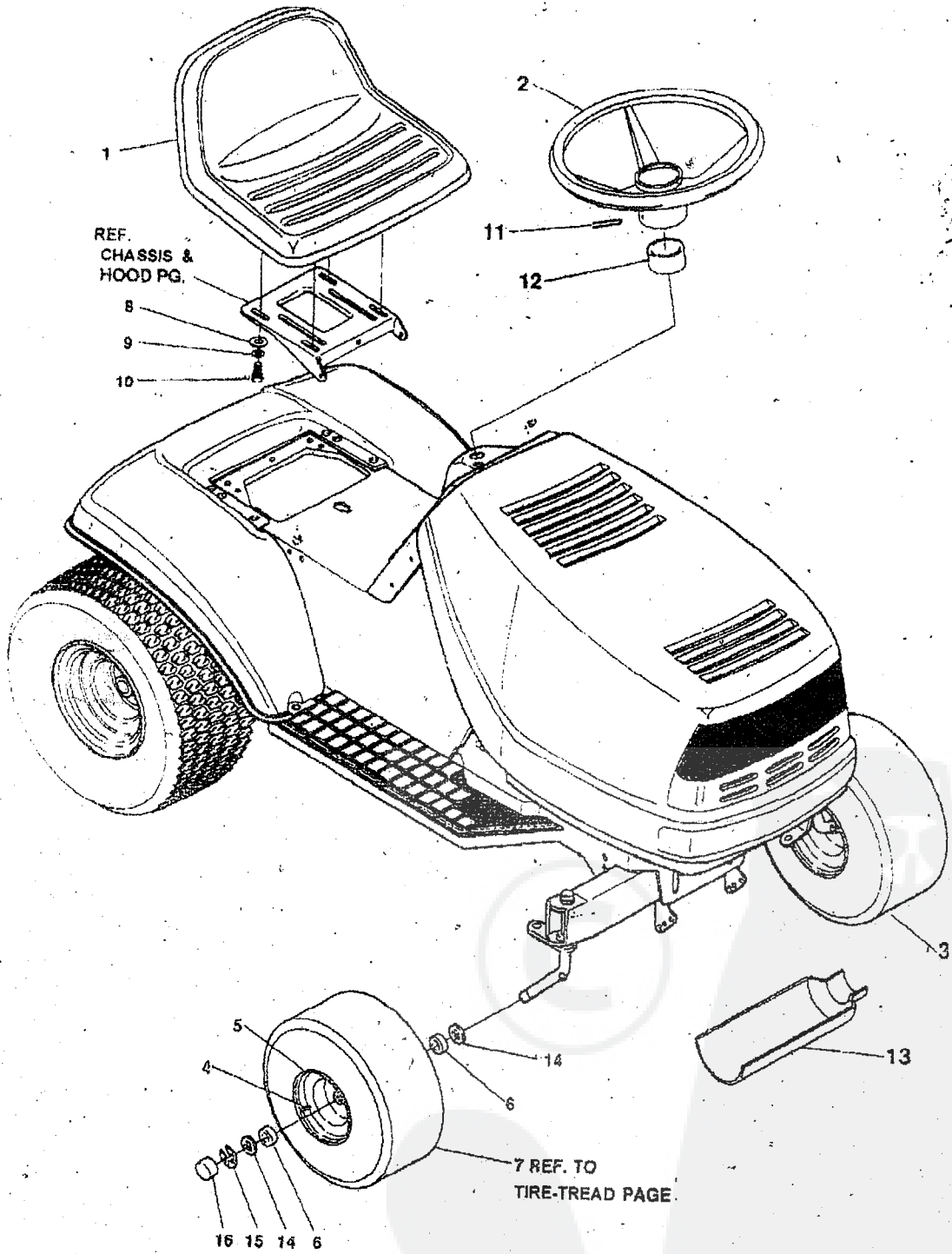
KEY#	PART#	DESCRIPTION	QTY
1	311198	NAMEPLATE AL-KO	2
2	68900	DECAL, BLADE ENGAGE EUROPE	1
3	305766	DECAL, DASH, RH I G N	1
4	305767	DECAL, DASH, LH	1
5	314900	DECAL, DASH RH	1
6	314901	DECAL, DASH LH	1
7	68902	DECAL, WARNING, FRENCH/GERMAN	2
8	69524	DECAL, INSTRUCT CONSOLE TOP GER	1
9	69525	DECAL, INSTRUCT CONSOLE TOP FR	1
10		REFERENCE ONLY	1
11	305770	DECAL, CAUTION TRIANGLE EUROPE	2
12	307363	DECAL, INSTR. CONSOLE TOP ENGL	1
13	310436	DECAL, FRENCH SAFETY CERT.	1
14	310553	DECAL, DANGER ENGLISH	2
15		REFERENCE ONLY	2
16	317067	DECAL, RH CONSOLE T14/110SD-4WS	2
17	68901	DECAL, BLADE HEIGHT ADJ. EUROPE	1
18	301897	DECAL, LIFT DECK BLADE HEIGHT	1
19	311394	DECAL SHIFT REV/NEUTRAL	1
20	311395	DECAL SHIFTER POSITION F4360-6	1
21	314118	DECAL, AU WHEEL STEER	2
22	68903	DECAL, BRAKE/CLUTCH EUROPE	1
23	305602	FOAM HOOD 4X15	2
24	305604	FOAM HOOD 7X12	2
25	305603	PAD, 18 X 6 FOAM HOOD	2

Part No. 317852

25

36" LAWN TRACTOR MODEL B3560-650

CUSTOMER ASSEMBLY



317693A

43" LAWN TRACTOR MODEL B3560-650

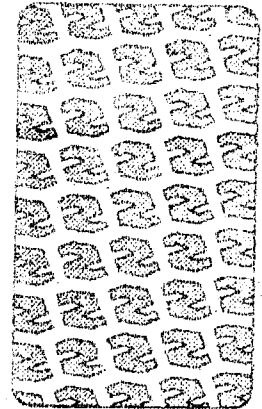
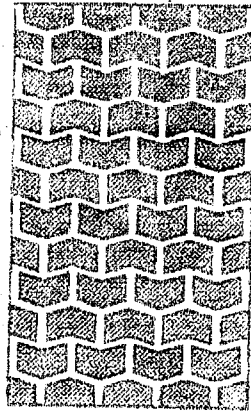
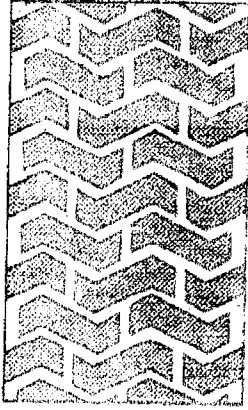
CUSTOMER ASSEMBLY VIEW

317690 PARTS BAG ASSY QTY1

key#	part#	description	qty
1	57454	SEAT,450 MICH.	1
2	301251	WHEEL, STEERING, 13" W	1
3		TIRE & RIM, PU 15X6.0X6 TURF	2
4	24167	VALVE STEM	1
5	39629	WHEEL W/BRG.	1
6	39979	BEARING,FL1.38OD+.753ID P M.	2
7		REFER TO TIRE TREAD PAGE	
8	120393	WASHER, FLAT .344X.69X.065	4
9	120698	WASHER, HVSP TLK .328X.60X.09	4
10	122007	SCREW, 5/16-18X.75 HHC	4
11	456378	PIN, SPRING,250DIA X2.00LG HVPL	1
12	57212	COVER, STEERING SHAFT	1
13	54873	TROUGH, OIL DRAIN	1
14	542	WASHER, FLAT .755X1.31 X.075	4
15	36625	RING, RETEX .57X.05TRU5133-75	2
16	40394	CAP, 1.500ID X 7/8LG HUB	2

* ORDER INDIVIDUAL PARTS.

TREAD PATTERNS



TIRE SIZE	"A"	"B"	"C"	"D"
11 X 4.00 - 5	42295			
13 X 5.00 - 6	44060			
15 X 6.00 - 6	301140	316702	39830	313952
16 X 6.50 - 8		41081		314539
18 X 6.50 - 8				
18 X 9.50 - 8		316701		313950
20 X 8.00 - 8	314584			
20 X 10.00 - 8	50276			313565
20 X 10.00 - 10		55893		
23 X 9.50 - 12	314370			
23 X 9.50 - 12		53655		

ACCESSORIES

Contact the dealer where your tractor was purchased for the available accessories. If you are unable to contact the dealer, write to the address on the front cover of this manual.

Rear Engine Rider

Model	Description
5708-16	Bagger - Fits 32" Side Discharge
5708-17	Bagger - Fits 35" Side Discharge
5709-02	Front Weight Box - holds 35 lbs.
5640-15	Lawn Sweeper w/dump Release

Lawn Tractor

Model	Description
5708-02	Bagger - Fits 30" Side Discharge
5708-13	Bagger - Fits 36", 38", 39" & 45" Side Discharge
5705-04	36" Two-Stage Snowblower - Fits 38", 38", 39", & 45" Side Discharge
5661-06	42" Snowblade - Fits 36", 38", 39", & 45"
559250	Tire Chains - 18" x 6.50"
5585-00	Tire Chains - 18" x 9.50" & 20" x 8"
5672-01	Wheel Weights - Front - 1 pr. w/mtg. hdw. - Fits 15" tires
5673-02	Wheel Weights - Rear - 1 pr. w/mtg. hdw. - Fits 18" & 20" tires
5709-03	Front Weights - Fits 30" & 32" Side Discharge
5648-16	Lawn Sweeper w/dump Release

Garden Tractor - Light Ground Engaging

Model	Description
5708-10	Bagger - Fits 36", 38", 39" & 45" Side Discharge
5705-01	36" Two-Stage Snowblower - Fits 38", 38", 39", & 45"
5661-06	42" Snowblade - Fits 36", 38", 39", & 45"
567251	Wheel Weights - Front - 1 pr. w/mtg. hdw. - Fits 15" tires
5673132	Wheel Weights - Rear - 1 pr. w/mtg. hdw. - Fits 18" & 20" tires
5648-16	Lawn Sweeper w/dump Release
5667-02	Sleeve Hitch - with bar - Fits 45"
5668-01	Adaptor (sleeve hitch) for use w/23" tires
5706-00	Tire Chains - 23" x 10"
5671-00	Tire Chains - 23" x 9.50"
5672-02	Wheel Weights - Front - 1 pr. w/mtg. hdw. - Fits 16" tires
5673-00	Wheel Weights - Rear - 1 pr. w/mtg. hdw. - Fits 23" tires
5674-01	10" One Bottom Moldboard Plow
5675-01	Cultivator - 7 row - Adj. 6" - 42" width
5676-01	Disc Harrow - 8" & 11" disc - Adj. width & disc angle
5677-02	Tiller - 5 H.P. Self-Powered - 28" width

Four Wheel Steer

Model	Description
5705-14	Bagger - Fits 40" & 46" Side Discharge
570555	42" One Stage Snowblower - Fits 40" & 46"
5661-07	45" Snowblade - Fits 40" & 46"
5709-04	Front Weight Box for 40" & 46"
5648-16	Lawn Sweeper w/dump Release
5706-00	Tire Chains - 20" x 10"
5671-00	Tire Chains - 23" x 9.50"
5672-02	Wheel Weights - Front - 1 pr. w/mtg. hdw. - Fits 16" tires
5673-00	Wheel Weights - Rear - 1 pr. w/mtg. hdw. - Fits 23" tires
5672-01	Wheel Weights - Front - 1 pr. w/mtg. hdw. - Fits 15" tires
5673-02	Wheel Weights - Rear - 1 pr. w/mtg. hdw. - Fits 18" & 20" tires

Four Wheel Steer Garden Tractor

Model	Description
5667-04	Sleeve Hitch - with bar - Fits 46"
5674-01	10" One Bottom Moldboard Plow
5675-01	Cultivator - 7 row - Adj. 6" - 42" width
5676-01	Disc Harrow - 8" & 11" Disc - Adj. width & disc angle
5677-02	Tiller - 5 H.P. Self-Powered - 28" width
5648-16	Lawn Sweeper w/dump Release

*Requires a sleeve hitch

Part No. 317852