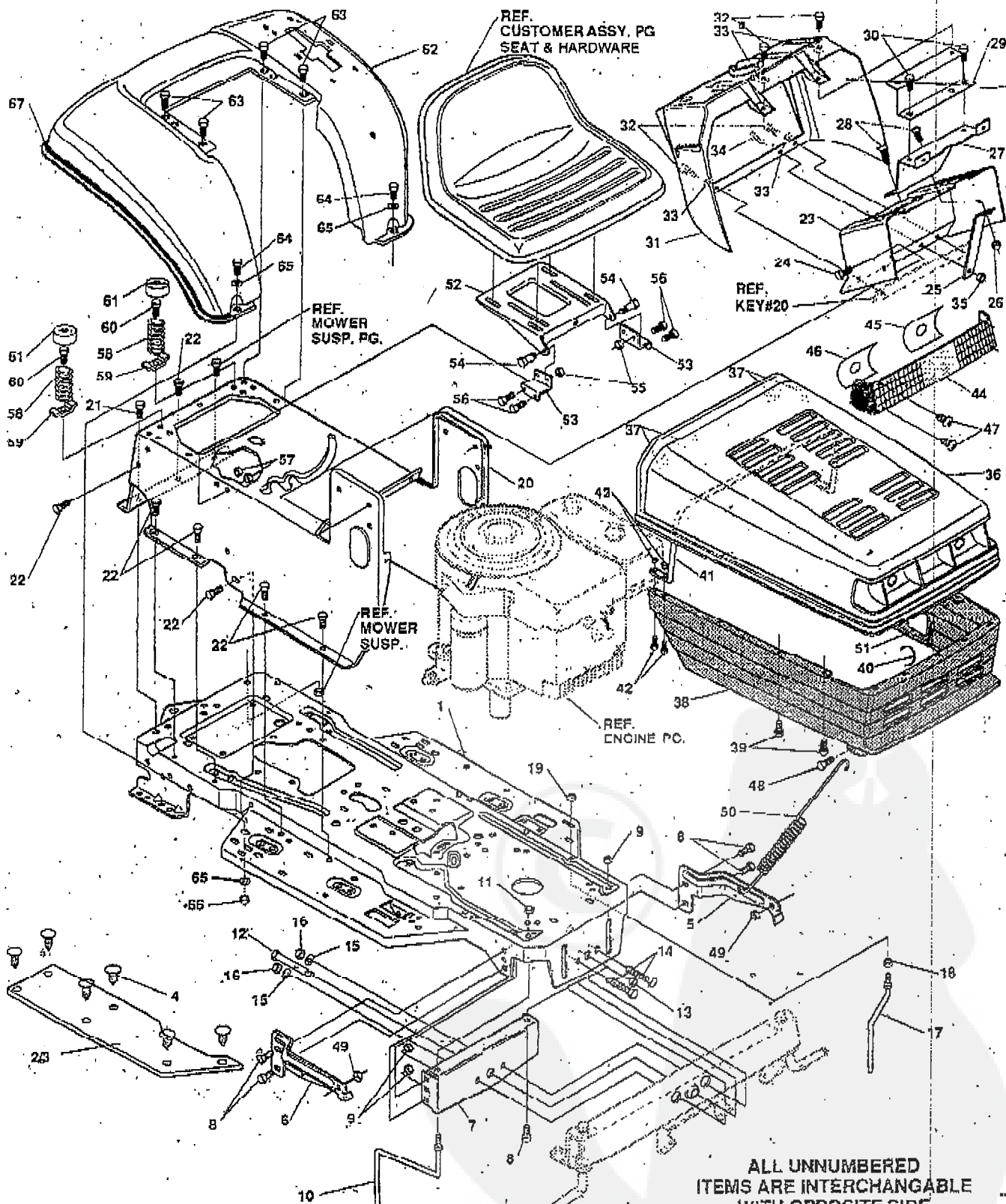


8" LAWN TRACTOR MODEL B3560-760.

CHASSIS & HOOD ASSEMBLY



NOTE: ALWAYS USE ORIGINAL EQUIPMENT PARTS. Use of service/replacement parts other than original equipment parts may void our warranty.

REF. STEERING PG. FRONT AXLE ASSY.

ALL UNNUMBERED ITEMS ARE INTERCHANGABLE WITH OPPOSITE SIDE

316571A

Part No. 317630

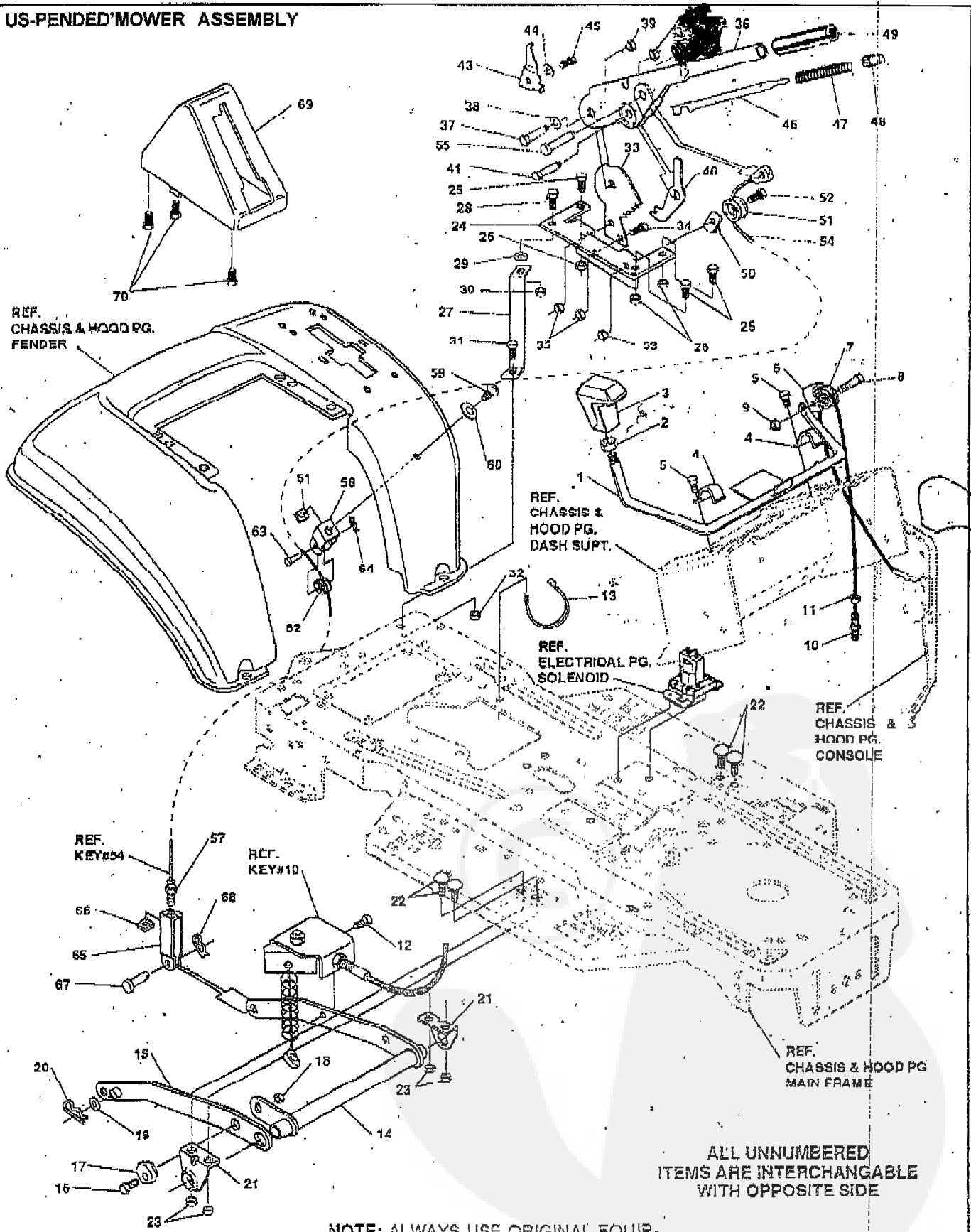
38" LAWN TRACTOR MODEL B3560-760

key#	part#	description	qty.
	315967	FRAME	
2	310005	FOOTPAD,LH	1
3	310006	FOOTPAD,RH	1
4	309235	FASTENER RATCHFT	12
5	9786	BRACKET,GRILLE LH	1
6	9784	BRACKET,GRILLE RH	1
7	56361	BRACKET, FRONT AXLE	1
8	0 56030	SCREW, 5/16-18X.75WDFLLK	5
9	055273	NUT, 5/16-18 HXWDFLLK	5
10	300440	GUIDE, BELT, RIDER	1
11	01498	NUT, 5/16-18 REGHEXCTRLK	
12	50246	BOLT, .625X2.180 HHSII 1/2-73	1
13	01500	NUT, 1/2-13 REGHCTRLK	1
14	0 122207	SCREW, 3/8-16X3.00 HHC	2
15	2483	WASHER, 3/8IX1.25IX.07 BELLVIL	2
16	0.1439	NUT, 3/8-16 REGHXCTRLK	2
17	300635	GUIDE, SHORT BELT RIDER 15"WH	
18	0 124024	NUT, 5/16-18 HEXJAM	1
19	0271190	NUT, 3/8-16 HEXKEPS	
20	310613	CONSOLE GNPR WTOP SHIFT	1
21	035497	SCREW, 5/16-18X.50 WAHHTAP	
22	0995346	SCREW, 1/4-20X.50 WAHHTAP	13
23	9132	SUPPORT DASH	1
24	0300303	SCREW, .25X.75X.75HHWAPLASTITE	2
25	9197	BRACE, DASH'SUPT LOWER	1
26	01502	NUT, 1/4-20 REGHEXCTRLK	1
27	9744	BRKT, GAS TANK	1
28	0995346	SCREW, 1/4-20X.50 WAHHTAP	2
29	9208	BRACE, DASH SUPT UPPER	1
30	0995346	SCREW, 1/4-20X.50 WAHHTAP	2
31	305428	DASH,GF W/O GRAPHIC,SUS	1
32	0995346	SCREW, 1/4-20X.50 WAHHTAP	4
33	316868	WASHER,SHOULDER NYLON .255X.46	4
34	044811	SCREW, 1/4-20X.75 HXWATAP	1
35	01502	NUT, 1/4-20 REGHEXCTRLK	2
36	307033	HOOD	1
37	302502	PAD,ADHESIVE 1.00 X	4
38	303037	GRILL,LWR GPWR	1
39	0300302	SCREW, #10 X.50 HHTAPPST	4
40	310203	CLIP,HOG RING C-SHAPED	1
41	301425	BRACE,HOOD S U P P O R T	1
42	0301542	SCREW, 1/4-20X.50 HXWATAPBLKPHOS	4
43	0271166	NUT, #10-24 HEXKEPS	
44	302333	LENS, SMOKED W/TAB	1
45	301541	FOIL, REFLECTOR LENS H-1 LH	1
46	301540	FOIL, REFLECTOR LENS H-1 RH	1
47	057796	SCREW, #6 X.50 PLASTITE	4
48	56676	BOLT, .375X.580 HHSII 5/16-18	2
49	01498	NUT, 5/16-18 REGHEXCTRLK	2
50	5/4/8	SPRING, HOOD LATCH	2
51	301452	FOIL, HEAT REFLECTOR	1
52	30476 1	PLATE, SEAT F-5 SF&LF	1
53	310444	BRACKET, F-5 SEAT SUPPORT	1
54	20507	BOLT, .437X.156 HHSII 5/16-18	2
55	01498	NUT, 5/16-18 REGHEXCTRLK	2
56	0 120228	SCREW, 5/16-18X.63 HHC	4
57	01498	NUT, 5/16-18 REGHEXCTRLK	4
58	57153	SPRING,SEAT 2.83LG.1.49OD	2
59	1341	CLAMP,SPRING 1.17"ID ZPL	2
60	044811	SCREW, 1/4-20X.75 HXWATAP	2
61	56907	COVER,SEAT SPRING 1.51IX1.0	2
62	30475 8	FENDER F-5 SUS LF FDR SHIFT	1
63	0995346	SCREW, 1/4-20X.50 WAHHTAP	4
64	0122617	SCREW, 5/16-18X1.00 HHC	2
65	0446363	WASHER, FLAT .375X.89X.092	4
66	01498	NUT, 5/16-18 REGHEXCTRLK	2
67	55027	TRIM,STRIP,BLACK	77.5"
68	313213	BRKT COVER F-5 FNDR SHIFT	
69	311209	COVER PLASTIC LF FOOTE4360.6	
70	0311331	SCREW, 1/4-15X.44/.53 HILOHHWA	2"
71	4341	CLAMP,SPRING 1.17"ID	2
72	031 1331	SCREW, 1/4-15X.44/.53 HILOHHWA	2
73	0120392	WASHER, FLAT .281X.63X.055	4
75	317713	OPERATORS MANUAL (NOT ILLUSTRATED)	
	317630	PARTS MANUAL (NOT ILLUSTRATED)	

♦ Indicates STANDARD HARDWARE ITEMS.

38" LAWN TRACTOR MODEL B3560-760

US-PENDE'D MOWER ASSEMBLY



NOTE: ALWAYS USE ORIGINAL EQUIPMENT PARTS. Use of service/replacement parts other than original equipment parts may void your warranty.

315559B

18" LAWN TRACTOR MODEL B3560-760.

key#	part#	description	qty.
1	9792	CLUTCH HANDLE	1
2	0 120238	NUT, 112-13 HEXJAM	1
3	304438	KNOB, SHIFT NOMA 1/2-13	1
4	9129	CLIP, RETAINING BRKT	2
5	0995338	SCREW, 1/4-20X.63 WAHHTAP	2
6	1288	BRKT, CABLE RETAINER	1
7	39298	PULLEY, 906X.305 NYLON	1
8	57322	BOLT, .375X .375 HSSH 1/4-20	1
9	01502	NUT, 1/4-20 REGHEXCTRLLK	1
10	301491	ASSY, CL. CABLE GEN PWR 39SDSUS	1
11	0120613	NUT, 114-28 HJAM	1
12	035498	SCREW, 5/16-18X.75 WAHHTAP	1
13	57444	TIE, CABLE BLACK NYLON 5 62	1
14	0185	ASSY, REAR LIFT	1
15	9186	ASSY, LINK, RIGHT SIDE	1
16	0 180079	SCREW, 5/16-18X1.00 HHC	1
17	58247	ADJUSTING NUT	1
18	01490	NUT, 5/16-18 REGHEXCTRLLK	1
19	0 120396	WASHER, FLAT .531X1.06X.095	2
20	8260	PIN, HAIR .091DIA X1.66LG	2
21	9117	BRKT, REAR HANG, SUSP.	2
22	125211	BOLT, 5/16-18X.63 CARR	4
23	01498	NUT, 5/16-18 REGHEXCTRLLK	4
24	58333	BRACKET, HGT/ADJUST SUPPORT	1
25	180077	SCREW, 5/16-18X.75 HHC	3
26	01498	NUT, 5/16-18 REGHEXCTRLLK	3
27	300336	BRACE, FENDER F-5 SUS	1
28	0 180079	SCREW, 5/16-18X1.00 HHC	1
29	045602	WASHER, FLAT .333X .87X 119	1
30	01498	NUT, 5/16-18 REGHEXCTRLLK	1
31	0 180079	SCREW, 5/16-18X1.00 HHC	1
32	01498	NUT, 5/16-18 REGHEXCTRLLK	1
33	301238	QUADRANT, HEIGHT ADJUST	1
34	0 180077	SCREW, 5/16-18X.75 HHC	2
35	01498	NUT, 5/16-18 REGHEXCTRLLK	2
36	9788	HANDLE, LIFT SHORT	1
37	300171	BOLT, .500X 270 HSSH 5/16-18	1
38	996418	WASHER, FLAT .506X .75X.024	1
39	044108	NUT, 5/16-18 HWDFLCTRLLK	1
40	301233	PAWL, HEIGHT ADJUST	1
41	300171	BOLT, .500X 270 HSSH 5/16-18	1
42	044108	NUT, 5/16-18 HWDFLCTRLLK	1
43	9435	POINTER	1
44	138479	WASHER, EXLK.195X.4 1X.03	1
45	035287	SCREW, #8-32X.38 HHWATAP	1
46	303027	ROD, ACTUATOR-SHORT	1
47	58326	SPRING, HEIGHT ADJUST	1
48	58325	KNOB, HGT ADJ P&H BUTTON	1
49	58329	GRIP, .750 OD W/ HOLE	1
50	9149	BRKT, CABLE RETAIN.	1
51	39298	PULLEY, 906X.305 NYLON	1
52	58336	BOLT, .375X .375 HSSH 1/4-20	1
53	01502	NUT, 1/4-20 REGHEXCTRLLK	1
54	300341	CABLE, LIFT 21.70 F-5 20x8-8	1
55	300310	PIN, CLEVIS .310DIA X.475LG	1
56	300311	RING, RET E .31X.24	1
57	0 120375	NUT, 1/4-20 REGHEX	1
58	9239	CLEVIS	1
59	0439455	SCREW, 5/16-18X.56PHENMA BKPH	1
60	301551	WASHER, .344D X1.500X.09 CU BPH	1
61		NUT, 5/16-18 SQ	1
62	0 30298 120373	PULLEY, 906X.305 NYLON	1
63	300317	PIN, CLEVIS .38DIA X1.00LG	1
64	8260	PIN, HAIR .091DIA X1.66LG	1
65	9405	CLEVIS, LIFT CABLE	1
66	0120372	NUT, 1/4-20 REGSQ	1
67	39522	PIN, CLEVIS .312 X .812	1
68	121222	PIN, COTTER .090/.086X 75LG	1
69	300335	LIFT COVER-39" F5	1
70	0300340	SCREW, #10 X .75 HHPPLAST	2

OSTANDARD HARDWARE ITEMS

18" LAWN TRACTOR MODEL B3560-760

STEERING ASSEMBLY

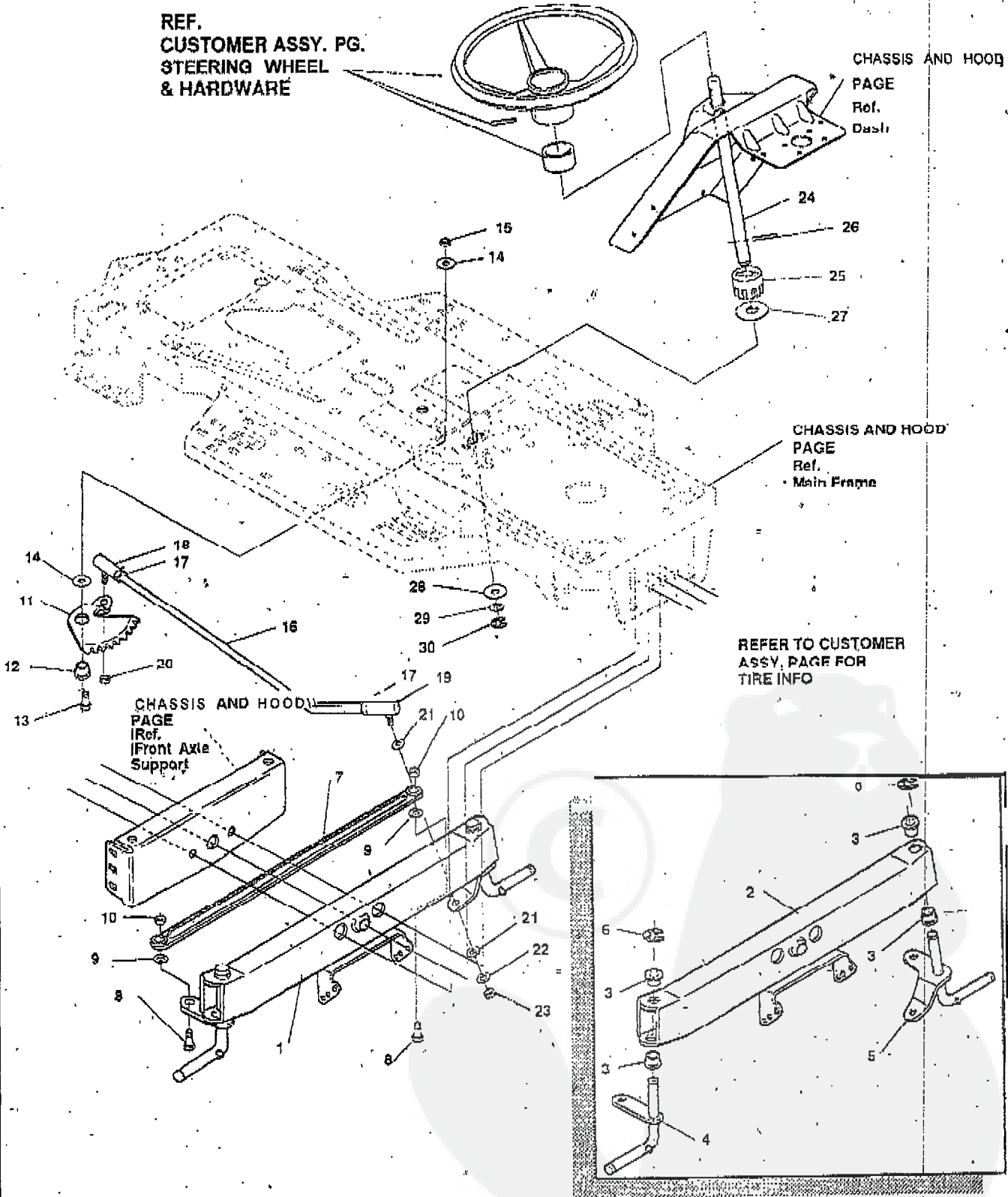
REF.
CUSTOMER ASSY. PG.
STEERING WHEEL
& HARDWARE

CHASSIS AND HOOD
PAGE
Ref.
Dash

CHASSIS AND HOOD
PAGE
Ref.
Main Frame

REFER TO CUSTOMER
ASSY. PAGE FOR
TIRE INFO

CHASSIS AND HOOD
PAGE
Ref.
Front Axle
Support



ALL UNNUMBERED
ITEMS ARE INTERCHANGABLE
WITH OPPOSITE SIDE

NOTE: ALWAYS USE ORIGINAL
EQUIPMENT PARTS. Use of service/replacement parts other than
original equipment parts may void
your warranty.

315950A

18" LAWN TRACTOR MODEL B3560-760

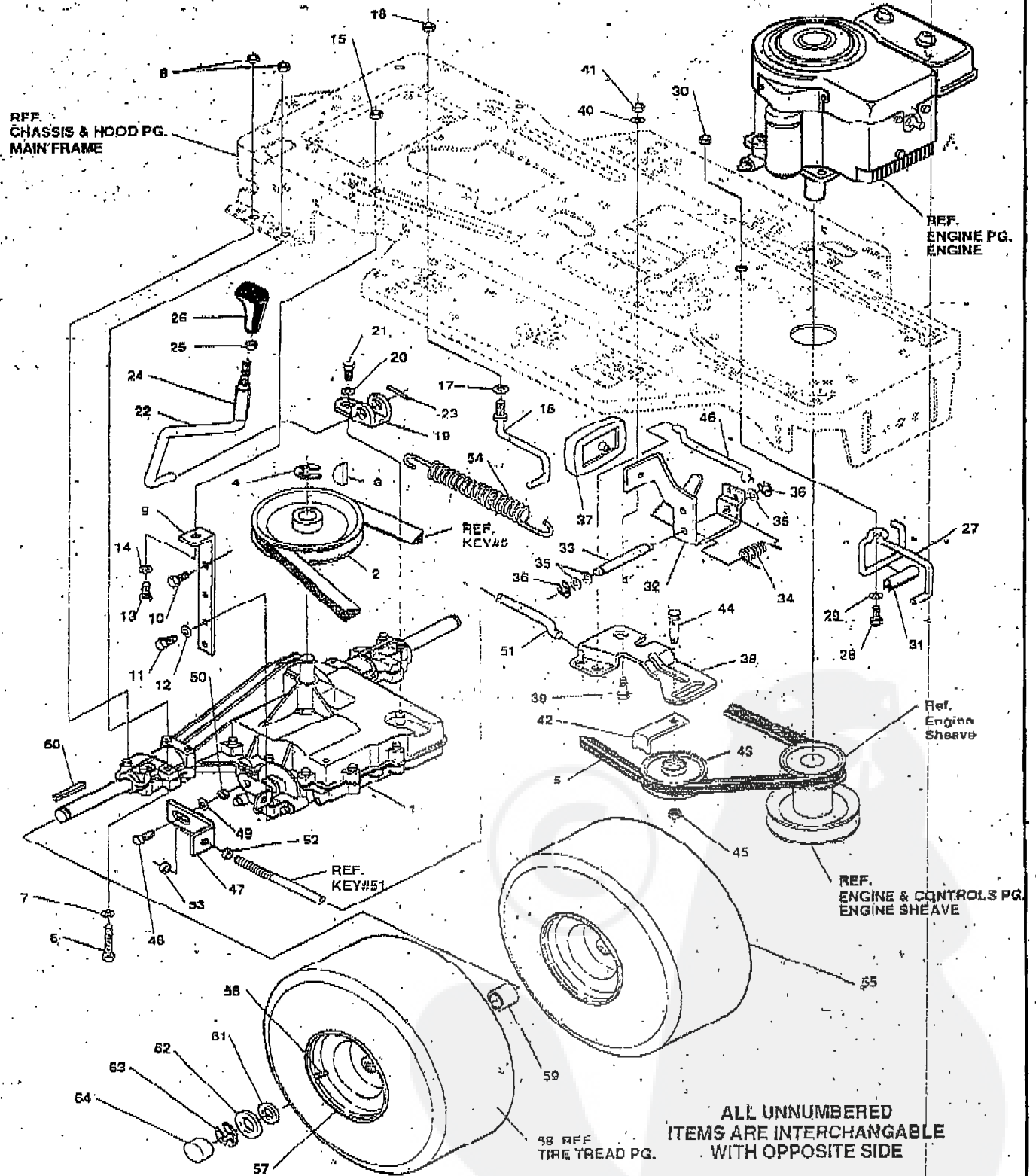
key#	part#	description	qty.
1	*	ASSY,AXLE FRONT 4/WS SUSP	1
2	55730	AXLE, FRONT	1
3	52407	SPINDLE BEARING	4
4	302926	ASSY,SPINDLE RH	1
5	315886	ASSY,SPINDLE LH	1
6	36625	RING, RETEX .57X.05TRU5133-75	2
7	304590	TIE ROD ASSY-19.81LG W-SECTION	1
8	180128	SCREW, 3/8-16X1.75 HHC	2
9	120382	WASHER, REGSPTLK.393X.68X.10	2
10	1499	NUT, 3/8-16 REGIXCTROK	2
11	58289	SECTOR, STEERING LF	1
1	2 52406	BRNG,FL ECC.510IDX.998ODX.56	1
13	180177	SCREW, 1/2-13X1.50 HHC	1
14	22266	WASHER, FLAT .515X1.38X.119	2
15	1500	NUT, 1/2-13 REGHCTRLK	1
16	58291	STEERING LINK	1
17	124925	NUT, 3/8-24 REGHEXJAM	2
18	57158	BALL JOINT 3/8 THD SHORT STUD.	1
19	21275	BALL JOINT 3/8 THD LONG STUD	1
20	46692	NUT, 3/8-24 WDFLHLK WHIZ	1
21	120396	WASHER, FLAT .531 X1.06X.095	2
2	2 120382	WASHER, REGSPTLK.393X.68X.10	1
23	120369	NUT, 3/8-24 REGHEX	1
2	4 58243	SHAFT, STEERING LF	1
25	58244	PINION, STEERING LF	1
26	50274	PIN,DOWEL .2500 OD+1.75LG	1
27	3 0 1 4 1 0	FL .752IDX1.061ODX.24	1
2	8 301398	W A S H E R . FORMED1.135X1.53X.12	1
29	21002	WASHER, FLAT .765X1.26X.042 PL	1
30	36625	RING, RETEX .57X.05TRU5133-75	1

* Order Individual Parts



38" LAWN TRACTOR MODEL B3560-760

MOTION DRIVE ASSEMBLY



NOTE: ALWAYS USE ORIGINAL EQUIPMENT PARTS.
 Use of service/replacement parts other than original equipment parts may void your warranty.

315558A

Part No. 317630

18" LAWN TRACTOR MODEL B3560-760

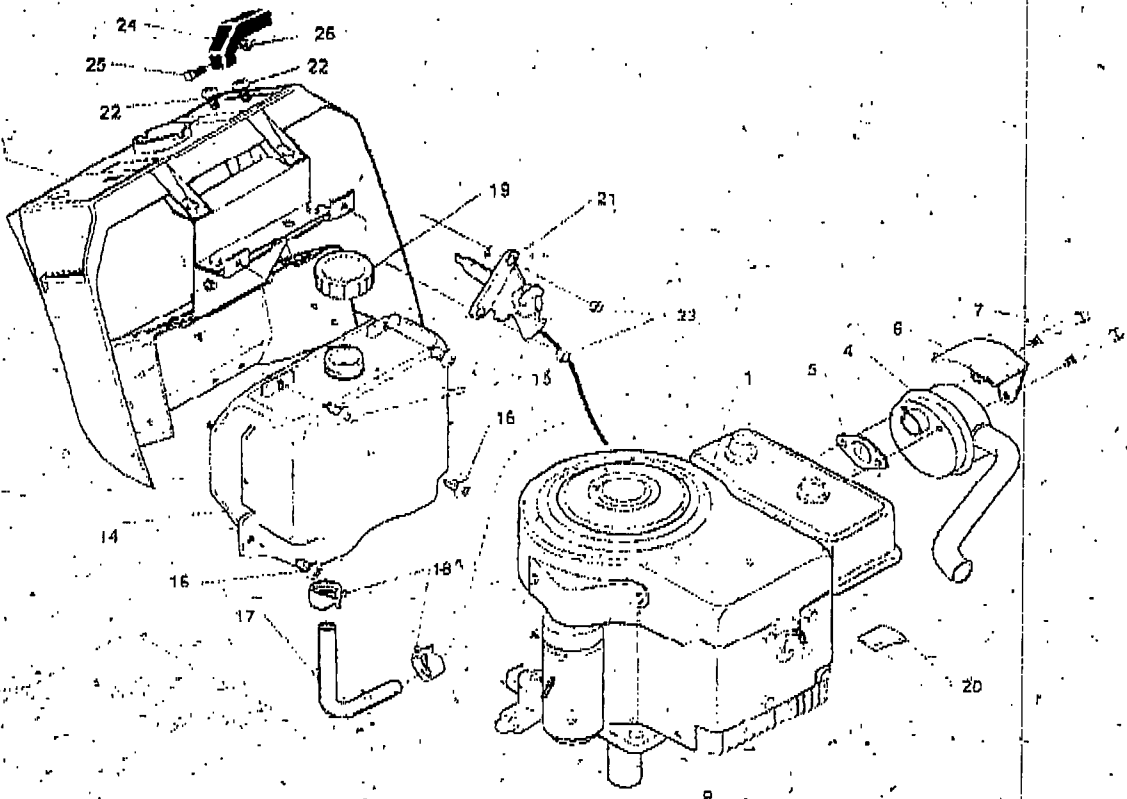
key#	part#	description	qty.
1	TRANSAXLE	FOOTE 4360-3 (CONTACT NEAREST DEALER)	1
2	302745	PULLEY, 416.60 OD	1
3	3021	KEY, WDRF 606.750X.187X.312	1
4	22053	RING, RETEX .58X.04TRU5100-62	1
5	57214	BELT, V 4L 84.75	1
6	180112	SCREW, 5/16-18X2.75 HHC GR5	4
7	120389	WASHER, FLAT .344X .69X.065	4
8	1488	NUT, 5/16-18 REGHEXCTRLK	4
9	12632	STABILIZER BRKT P920,F4150	1
10	50947	SCREW, 3/8-16X1.25 WAHHTAP	1
11	36498	SCREW, 5/16-18X.75 WAHHTAP	1
12	0 120638	WASHER, HVSPTLK .328X.60X.09	1
13	0 122017	SCREW, 5/16-18X1.00 HHC GR2	1
14	0 120393	WASHER, FLAT .344X .60X.065	1
15	0 1498	NUT, 5/16-18 REGHEXCTRLK	1
16	57259	GUIDE, BELT 5/16-18THD	
17	0 138538	WASHER, REGINTLK.320X.61X.03	
18	0 1498	NUT, 5/16-18 REGHEXCTRLK	
19	57480	BRKT,SHIFT P920-5/F4360-5&3 955	1
20	57157	WASHER, .750X.250 SP-TRANSAXLE	1
21	56255	CREW, 114-28X .75NYLHHCGR8	1
22	302743	LEVER,SHIFT FOOT 4360-5&6 LF	1
23	137185	PIN, COTTER .125 DIA X1.00LG	1
24	302445	TUBE,CLEAR PLASTIC	1
25	0 120238	NUT, 1/2-13 HEXJAM	1
26	304438	KNOR SHIFT NOMA 112-13 BLK	
27	58356	GUIDE-BELT/DRAGLINK	1
28	0 180079	SCREW, 5/16-18X1.00 HHC GR5	1
29	0 45602	WASHER, FLAT .333x .87X.1 19	
30	0 1498	NUT, 5/16-18 REGHEXCTRLK	
31	303278	PLASTIC EXTRUSION-BELT GUIDE	1
32	300308	PEGAL ASSY,BRAKE/CLUTCH LF	1
33	57190	ROD,PIVOT .50 OD+4.44LG ZN PL	1
354	2968 57847	SPASNER BRAKE .504X.75X.059	3
36	20864	RING, RFT E 39X.04TRU5183-50.	2
37	48160	PAD, CLUTCH BRAKE W/PRINTING	1
38	300154	SCMIDLBRS DRAGONHUB 5/16-18	1
40	45602	WASHER, FLAT .333x .87X.1 19	1
41	0 1498	NUT, 5/16-18 REGHEXCTRLK	1
42	39659	RETAINER, STRAP BELT	1
43	35374	PULLEY, IDLER V4L 3.06X .62	1
44	45892	BOLT, 3/16-16X1.50 CARR GR2	1
45	0 1499	NUT, 3/8-16 REGHXCTRLK	1
46	57204	ROD, CLUTCH LF	1
47	57217	BRACKET, BRAKE ROD	1
48	20507	BOLT, .437X .156 HHS 5/16-18	1
49	0 45602	WASHER, FLAT .333x .87X.1 19	1
50	0 1498	NUT, 5/16-18 REGHEXCTRLK	1
51	57203	ROD, BRAKE LT 920 LF 22 25	1
52	0 274184	5/16-18 HEXKCPG	1
53	058498	NUT, 5/16-18 REGHEXCTRLK	1
54	56359	SPRING, CLUTCH .1 13X.750X8.75	1
55		TIRE & 20X9.00-8TURWHI	2
56	24167	VALVE STEM	1
57	41105	WHEEL	1
		REFER TO TIRE TREAD PAGE	
58	57479	SPACER, .75 X 1.25 X 1.32	2
60	39628	KEY, SQUARE .187SQX2.50LG	2
61	642	WASHER, FLAT .755X1.31X.075	4
62	42815	F W/A SAH ETR .755X1.53X.07	2
63	36625	RING, RETEX .57X.05TRU5133-75	2
64	40394	CAP, 1.500ID X 7/8LG HUB	2

* Order Individual Parts.
 ◊ Indicates STANDARD HARDWARE ITEMS

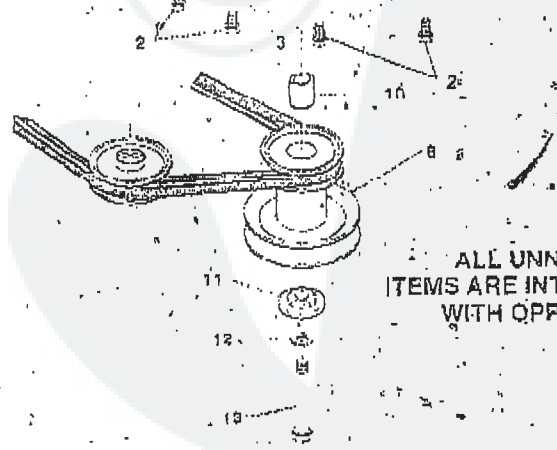
38" LAWN TRACTOR MODEL B3560-760

ENGINE & CONTROL ASSEMBLY

REF.
CHASSIS &
HOOD PG.
DASH



REF.
CHASSIS & HOOD PG.
MAIN FRAME



ALL UNNUMBERED
ITEMS ARE INTERCHANGABLE
WITH OPPOSITE SIDE

NOTE: ALWAYS USE ORIGINAL
EQUIPMENT PARTS. Use of serv-
ice/replacement parts other than
original equipment parts may void
your warranty.

315559A

38"

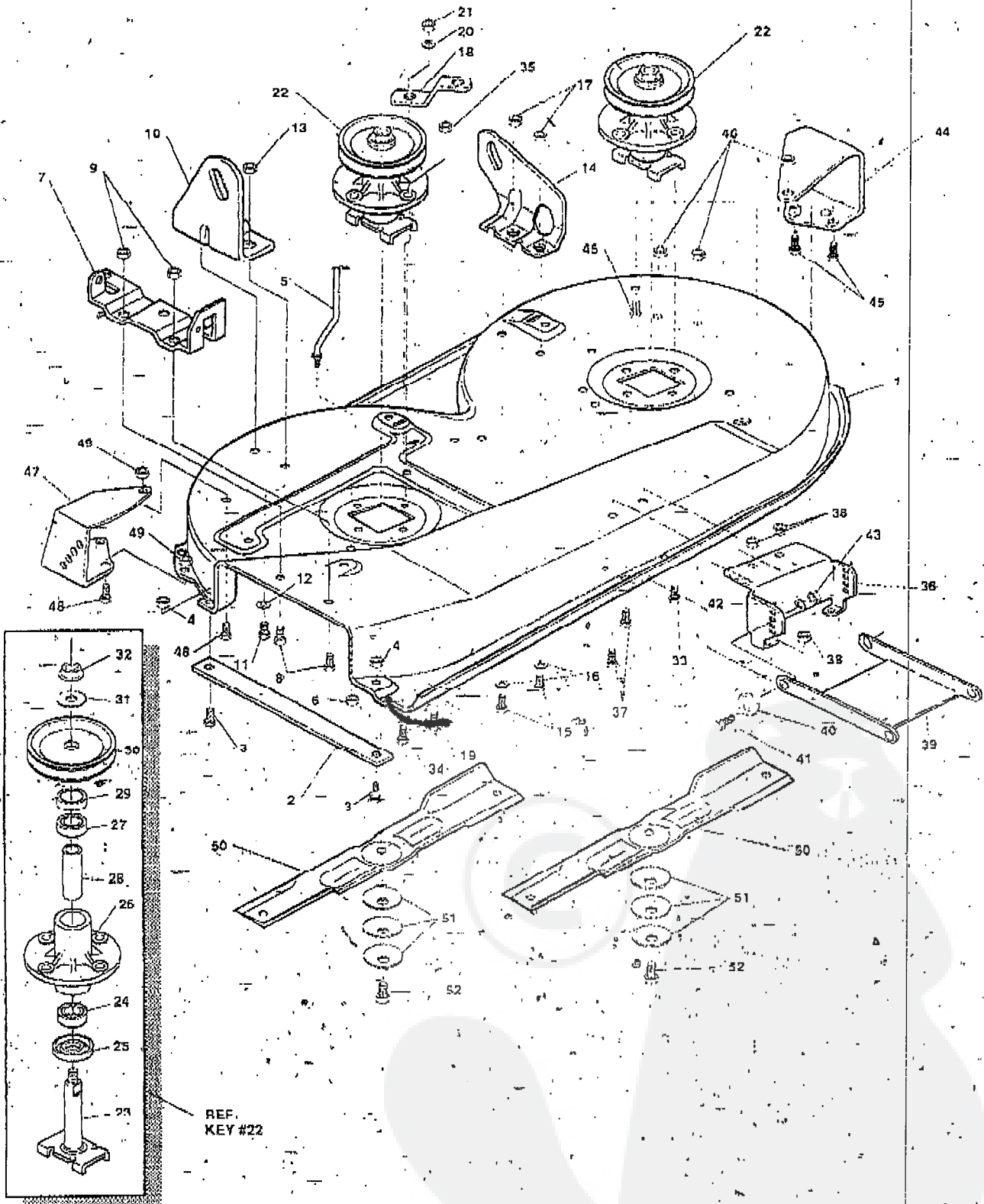
B3560-760

key#	part#	description	qty
		ENGINE, 11 HP (SEE ENGINE MANUAL)	1
2	050947	SCREW, 3/8-16X1.25 WAHTAP	4
3	138489	WASHER, EXLK .384X.69X.04	1
4	309367	MUFFLER-LO TONE NELSON EXPORT	
5	46708	GASKET, MUFFLER	
6	54767	SHIELD, HEAT, FOR ROUND MUFFLER	1
E	0173063	SCREW, 5/16-18X3.50 HHC	2
e	58361	PULLEY ASSY, 4.75 OFFS 5.5 DIA	1
	57791	KEY, SQUARE .250SX5.00LG	
	304246	SPACER, 1.01X1.484 ENGIN PLIIFY	
11	56431	WASHER, .980IDX1.380DX.437PILOT	
12	120383	WASHER, REGSPTLK.459X.78X.12	1
13	0428644	SCREW, 7/16-20X5.00 HHC	
14	314991	TANK, FUEL 2-GAL	1
15	0300303	SCREW, .25X.75X.75HHWAPLASTITE	2
16	0995346	SCREW, 1/4-20X.50 WAHTAP	2
17	4.7452	GAS LINE 25ID	14"
18	48672	CLAMP, FUEL LINE	2
19	300304	CAP, FUEL 2.0 THROAT	
20	302967	ENGINE SPEED REDUCER	
21	303159	THROTTLE, CONTROL	1
22	0159943	SCREW, 10-24X.63 PHPNMA	2
23	0271166	NUT, #10-24 HEXKERS	2
24	300508	KNOB, THROTTLE CONTROL HANDGRIP	1
25	0159585	SCREW, #8-32X.38 PHPNMA	1
26	0120622	NUT, #6-32-REGHX	1

◊ Indicates STANDARD HARDWARE ITEMS.

38" LAWN TRACTOR MODEL B3560-760

'RE-PAINTED DECK ASSEMBLY



NOTE: ALWAYS USE ORIGINAL EQUIPMENT PARTS. Use of service/replacement parts other than original equipment parts may void your warranty.

ALL UNNUMBERED ITEMS ARE INTERCHANGABLE WITH OPPOSITE SIDE.

316126A

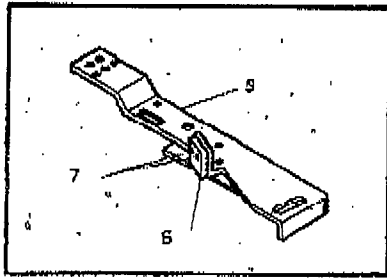
17" LAWN TRACTOR MODEL B3560-760

key#	part#	description	q	t	y
1	315610	DECK,39"SD MOWER	1		
2	57314	BAR, SKID	1		
3	126216	BOLT, 5/16-18X.75 CARR	1		
4	01498	NUT, 5/16-18 REGHEXCTR LK	1		
5	57318	GUIDE, BELT 5/16-18 STD	1		
6	01498	NUT, 5/16-18 REGHEXCTR LK	1		
7	57360	BRACKET, CHUTE	1		
9	0 0188834	SCREW, 5/16-18X.75 HHC	2		
10	58250	LIFT BRACKET, REAR, RH	2		
11	0100077	SCREW, 5/16-18X.75 HHC	2		
12	120393	WASHER, FLAT .344X.69X.065			
13	01498	NUT, 5/16-18 REGHEXCTR LK	2		
14	58251	BRACKET, DECK LIFT REAR	1		
15	0 180077	SCREW, 5/16-18X.75 HHC	2		
16	120393	WASHER, FLAT .344X.69X.065			
17	01498	NUT, 5/16-18 REGHEXCTR LK	2		
18	315302	BRACKET, IDLER SUPPORT	1		
19	0300345	SCREW, 5/16-18X1.38 WATAP	1		
20	120393	WASHER, FLAT .344X.69X.065	1		
21	01498	NUT, 5/16-18 REGHEXCTR LK	1		
22	56424	QUILL ASSY, 36/39/40/43	2		
24	23 55625	BRNG, BALL 3/8" I.D. F 36"	1		
25	50616	DUST SHIELD	1		
26	55547	QUILL CASTING	1		
27	49562	BRNG, BALL	1		
28	50818	SPACER, 3.797LGX.689IDX.880D	1		
29	51449	SPACER, .438LGX.932ODX.672ID-PM	1		
30	56390	PULLEY, 26/36" QUILL	1		
31	56365	SPECIAL WASHER	1		
32	01282	NUT, 7/16-20 WDFLLK	1		
33	050694	SCREW, 5/16-18X.98 WAHHTAP	6		
34	0300345	SCREW, 5/16-18X1.38 WATAP	1		
35	01498	NUT, 5/16-18 REGHEXCTR LK	1		
36	58315	LIFT SUPPORT FRONT DECK	1		
37	0 180075	SCREW, 5/16-18X.63 HHC	4		
38	01498	NUT, 5/16-18 REGHEXCTR LK	4		
39	58305	LINK BRACKET, DECK FR	1		
40	58247	ADJUSTING NUT	2		
41	0122017	SCREW, 5/16-18X1.00 HHC	2		
42	35214	WASHER, FLAT, .329X1.06X.062	2		
43	01498	NUT, 5/16-18 REGHEXCTR LK	2		
44	300103	WHEEL BRKT, LH	1		
4.5	0180075	SCREW, 5/16-18X.63 HHC	3		
46	0 300102	WHEEL BRKT, REGHEXCTR LK RH	0		
48	0180075	SCREW, 5/16-18X.63	3		
49	01498	NUT, 5/16-18 REGHEXCTR LK	3		
50	57299	BLADE, 39" STD-LIFT 195	2		
51	2483	WASHER, 39IDX1.25DX.07 BELLVIL	0		
52	039973	SCREW 3/8-24X1.00 NYLHIQ	2		

0 Indicates STANDARD HARDWARE ITEMS

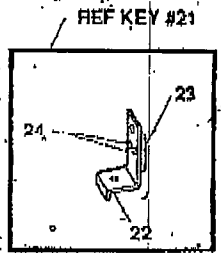
8" LAWN TRACTOR MODEL B3560-760

INAL DECK ASSEMBLY

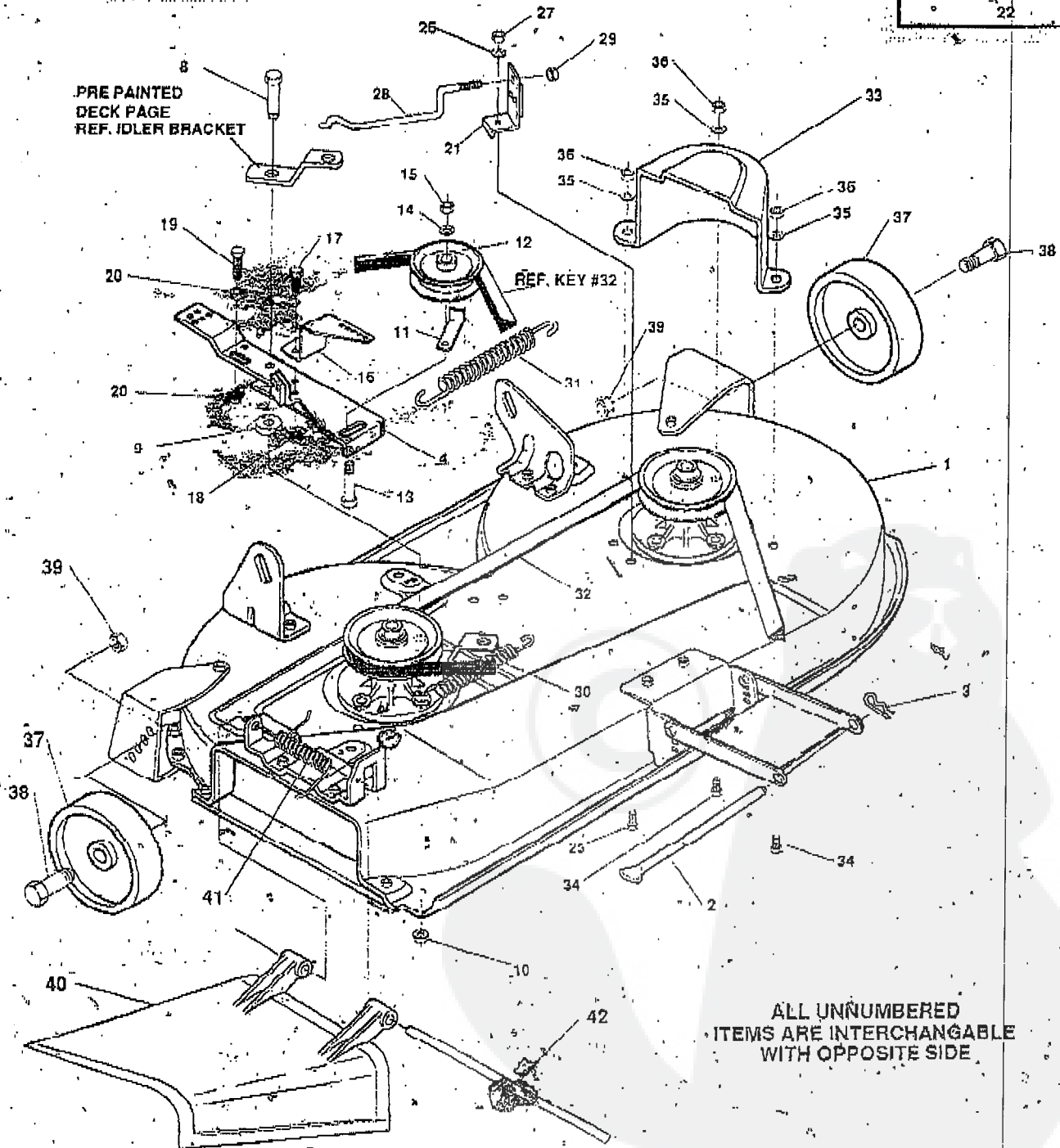


SEE DWG. 316186 FOR PART ASSY -- OF PAINTED DECK

REF KEY #4.



REF KEY #21



ALL UNNUMBERED ITEMS ARE INTERCHANGABLE WITH OPPOSITE SIDE

NOTE: ALWAYS USE ORIGINAL EQUIPMENT PARTS. Use of service/replacement parts other than original equipment parts may void your warranty.

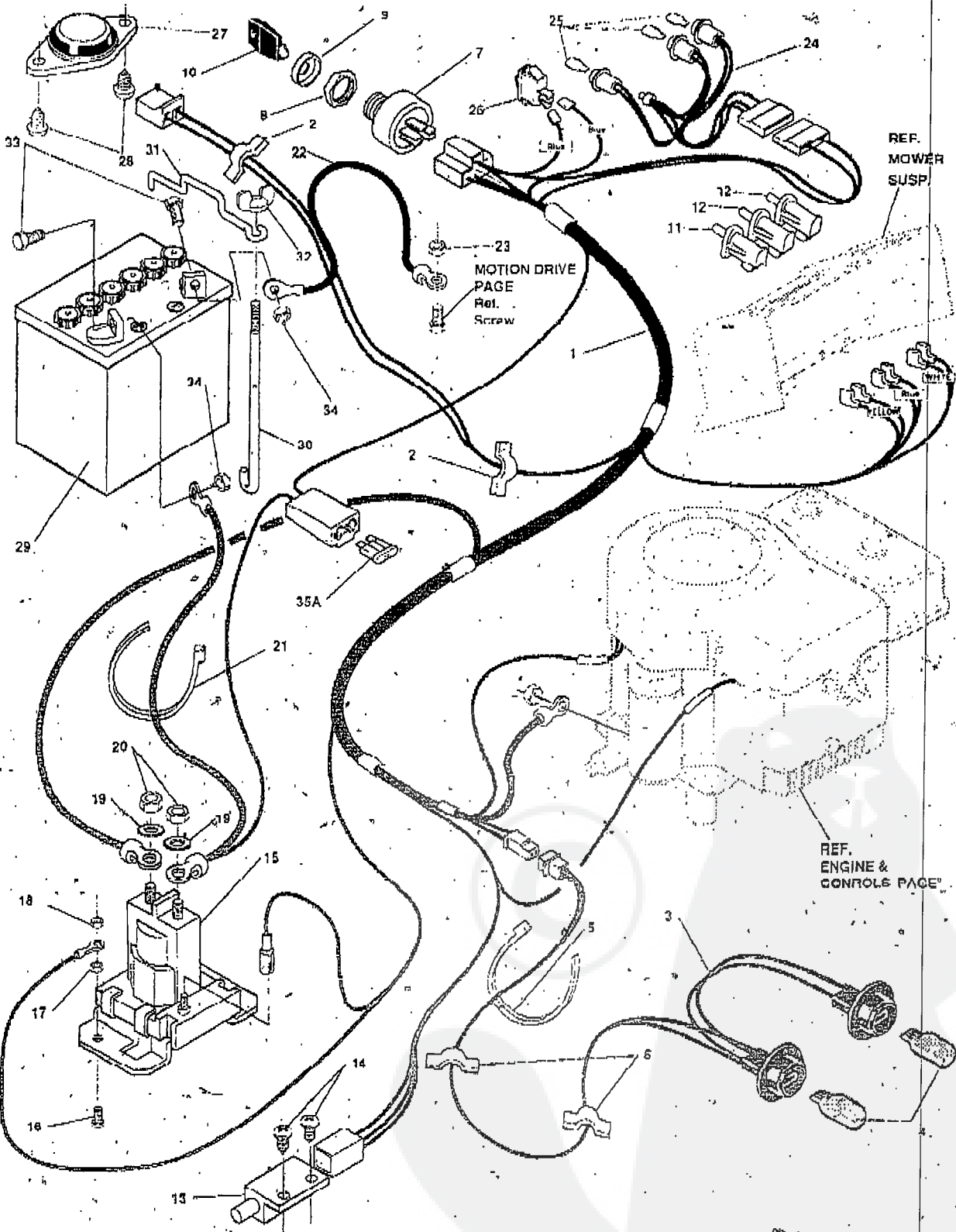
38" LAWN TRACTOR MODEL B3560-760

key#	part#	description	qty.
1	3 17325	DECK.	1
2	58306	ROD, DFCK HITCH	1
3	8260	PIN, HAIR .091 DIA X 1.66	1
4	300491	BRACKET, IDLER ARM/BRAKE	1
5	9282	IDLER A R M	1
6	306973	BRAKE PAD	1
7	135624	RIVET, TRSET .185 DIA X .41	2
8	300180	BOLT, .50 X 1.88 HSSH 3/8-16	1
9	0996415	WASHER, FLAT .391 X 1.00 X .125	1
10	045171	NUT, 3/8-16 HWDFL WHIZ NUT	1
11	1346	BELT RETAINER 2.55 OD	1
12	303030	PULLEY, IDLER BFF 4.00 DIA	1
13	57325	BOLT, 3/8-16 X 2.00 CARR	1
14	0120382	WASHER, REGSPTLK .393 X .68 X .10	1
15	0120377	NUT, 3/8-16 REGHX	1
16	9401	BRACKET, EXTENSION IDLER	1
17	0 180077	SCREW, 5/16-18 X .75 HHC	1
18	01498	NUT, 5/16-18 REGHEXCTRLK	1
19	0121954	SCREW, 1/4-20 X 2.00 HHC	1
20	0271172	NUT, 1/4-20 REGHEXKEPS	2
21	3 0 3 2 4 7	ASSY BI ADF BRAKE 36,39,45	1
22	12542	BRAKE ARM	1
23	306973	BRAKE PAD	1
24	135624	RIVET, TRSET .185 DIA X .41	2
25	0120228	SCREW, 5/16-18 X .63 HHC	1
26	0 120393	WASHER, FLAT .344 X .69 X .065	1
27	01498	NUT, 5/16-18 REGHEXCTRLK	1
28	300316	ROD, BRAKE RELEASE	1
29	015'02	NUT, 1/4-20 REGHEXCTRLK	1
30	35410	SPRING .071 X .62 X 4.37	1
31	300473	SPRING, TENSION 7.52 LG + 17 LB/IN	1
32	300680	BELT, V 5L 77.75 KEVLAR	1
33	302833	GUARD, BELT LH	1
34	0120228	SCREW, 5/16-18 X .63 HHC	3
35	0 120393	WASHER, FLAT .344 X .69 X .065	3
36	01498	NUT, 5/16-18 REGHEXCTRLK	3
37	52584	WHEEL, SD 6.00 O D X 1.38 W D	2
38	23763	BOLT, .500 X 1.390 HSSH 3/8-16	2
39	01498	NUT, 3/8-16 REGHXCTRLK	2
40	57818	CHUTE, 36 SD, 39 SD, 45 SD	1
41	314975	SPRING, TORSION	1
42	57317	PIVOT ROD, CHUTE	1

STANDARD HARDWARE ITEMS

38" LAWN TRACTOR MODEL B3560-760

ELECTRICAL ASSEMBLY



ALL UNNUMBERED
ITEMS ARE INTERCHANGABLE
WITH OPPOSITE SIDE

NOTE: ALWAYS USE ORIGINAL EQUIPMENT PARTS.
Use of service/replacement parts other than original equipment parts may void your warranty.

315589A

38" LAWN TRACTOR MODEL B3560-760

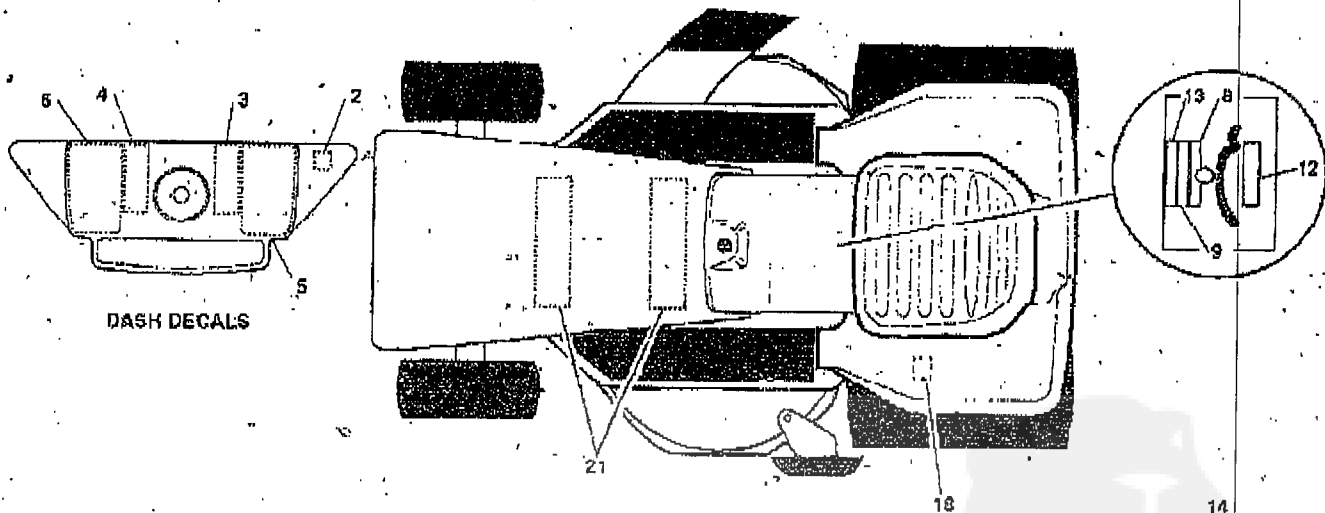
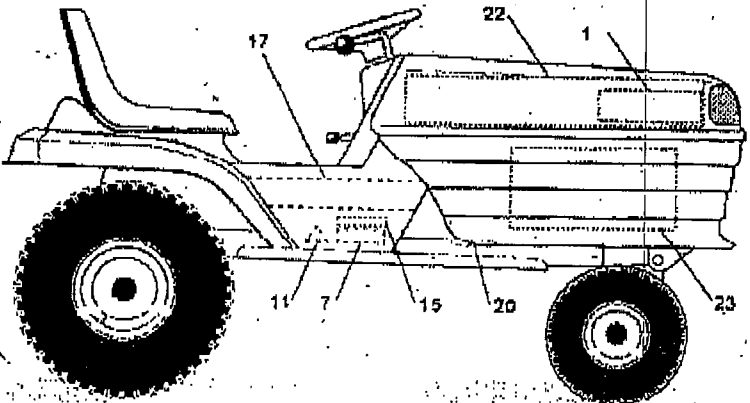
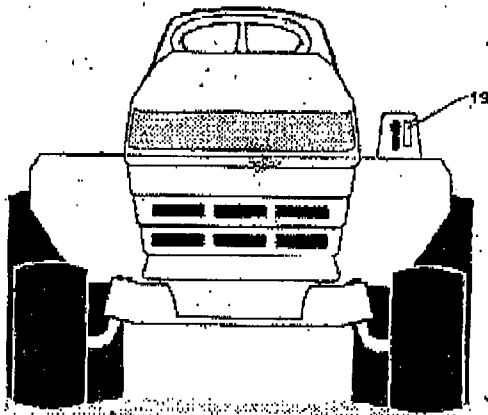
key#	part#	description	qty.
1	300331	WIRE HARNESS GPWR 12B&S SUSP	1
2	4 1482	CLIP, 1.380LG .255ID PRESS WIRE	2
3	303064	ASSY,LIGHT WIRE-1/4 TURN	1
4	62572	BULB, HEADLAMP	2
5	57444	TIE, CABLE BLACK	1
6	41482	CLIP, 1.380LG .255ID PRESS WIRE	2
7	300295	SWITCH, IGNITION W/O LIGHTS	1
8	0300193	NUT, 5/8-32 IGN SWIT	1
9	300194	BOOT, SWITCH	1
10	300626	KEY, IGNITION SWITCH	1
11	300220	SWITCH, SNAPMNT	1
12	58277	SWITCH, SNAPMNT NC .055/.166	2
13	57476	SWITCH, SCR MNT'DP NC	1
14	057220	SCREW, #12 X .50 PHPNHTAP	2
15	53716	SOLENOID, NEW CLUM	1
16	0187745	SCREW, 1/4-20X.76 HXSEMMA	2
17	01502	NUT, 1/4-20 REGHEXCIRLK	2
18	0271172	NUT, 1/4-20 REGHEXKEPS	1
19	138485	WASHER, EXLK .320X.61X.03	2
20	0120368	NUT, 5/16-24 REGHEX	2
21	57444	TIE, CABLE BLACK NYLON 5 62	1
22	55511	WIRE, GROUND 12.5"	1
23	0271184	NUT, 5/16-18 HEXKEPS	1
- 24	300965	LIGHT HARNESS 3-IL CHG.MWR, GL	1
25	57769	BULB, INDICATOR	3
26	300334	LIGHT SWITCH ON/OFF	1
27	57547	SWITCH, SEAT	1
28	0160505	SCREW, 1/4-20X.38PHPNHMA.	2
29	302257	BATTERY 12V 7 PLATE/	1
30	57551	ROD, BATTERY	1
31	57552	ROD, BATTERY, TOP	1
32	310067	SMALL PLASTIC WING NUT 1/4-20	1
33	0120854	SCREW, 1/4-20X.63 HHC	2
34	0271172	NUT, 1/4-20 REGHEXKEPS	2
35A	** 302031	FUSE, 15 AMP SPADE TYPE	1
35B	** 49211	FUSE, 15 AMP CLYRINDRICAL TYPE	1

STANDARD HARDWARE ITEMS

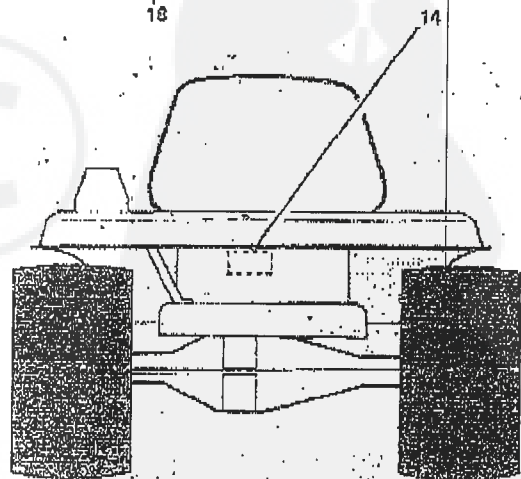
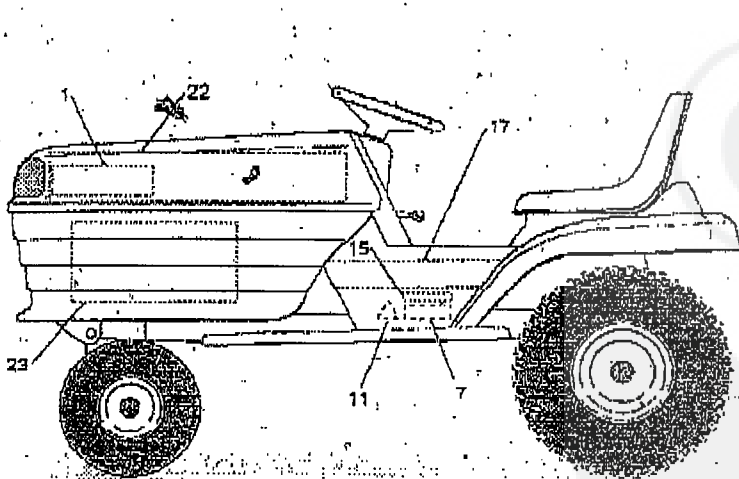
**Cylindrical or Spade type fuses are included with the wire harness.

8" LAWN TRACTOR MODEL B3560-760

DECALS



DASH DECALS



NOTE: ALWAYS USE ORIGINAL EQUIPMENT PARTS.
 Use of service/replacement parts other than original equipment parts may void your warranty.

**ALL UNNUMBERED
 ITEMS ARE INTERCHANGABLE
 WITH OPPOSITE SIDE**

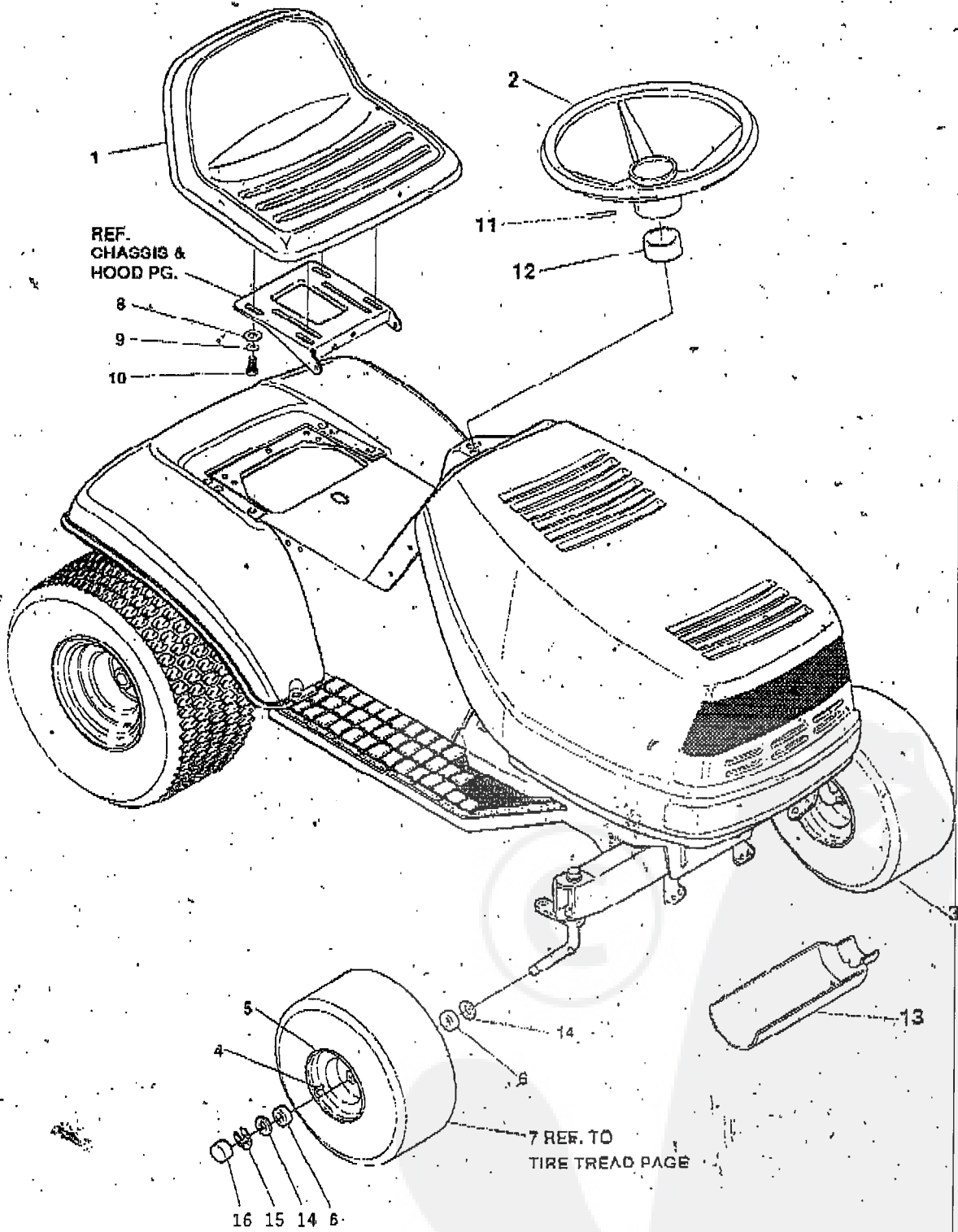
316428A

38" LAWN TRACTOR MODEL B3560-760

key#	part#	description	qty
1	311198	NAMEPLATE ALKO SATIN SILVER	2
2	68900	DECAL, BLADE ENGAGE EUROPE	1
3	300445	DECAL, DASH RH TRANSLUCENT	1
4	302049	DECAL, DASH LH PLAIN.	1
5	305766	DECAL, DASH, RH IGN	1
6	305767	DECAL, DASH, LH	1
7	68902	DECAL, WARNING, FRENCH, GERMAN	2
8	69524	DECAL, INSTRUCT CONSOLE TOP GER	1
9	68525	DECAL, INSTRUCT CONSOLE TOP FR	1
10		REFERENCE ONLY	1
11	305770	DECAL, CAUTION TRIANGLE EUROPE	2
12	307647	DECAL, 3-SPEED CONSOLE TOP	
13	307353	DECAL, INSTRUCT CONSOLE TOP ENG	1
14	310436	DECAL, FRENCH SAFETY CERTIFICATION	1
15	310553	DECAL, DANGER ENG	2
16		REFERENCE ONLY	1
17	317064	DECAL, CONSOLE T11/97SD	2
18	68901	DECAL, BLADE HEIGHT ADJ. EUROPE	1
19	301897	DECAL, LIFT DECK BLADE HEIGHT	1
20	68903	DECAL, BRAKE/CLUTCH EUROPE	1
21	305602	FOAM, HOOD 4X 12	2
22	305603	PAD, 18 X 6 FOAM HOOD	2
23	3056049	FOAM, HOOD 7X12	2

38" LAWN TRACTOR MODEL B3560-760

CUSTOMER ASSEMBLY



LF CUSTOMER ASSY. ART8

316576

Part No, 317630

8" LAWN TRACTOR MODEL B3560-760

CUSTOMER ASSEMBLY VIEW

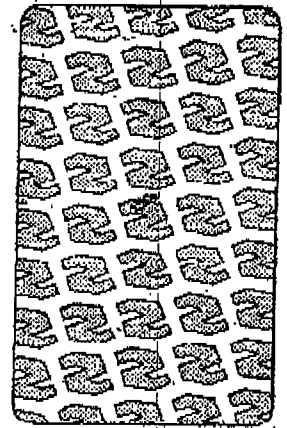
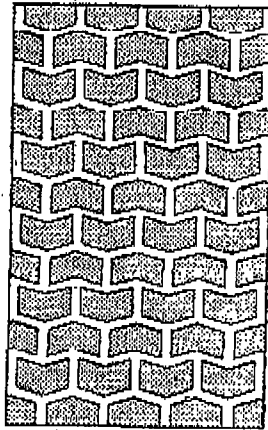
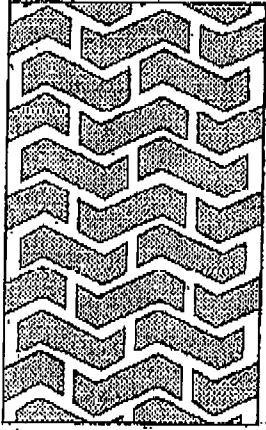
315857 PARTS BAG ASSY QTY1

key#	part#	description	qty
1	304316	SEAT,440 MICH.	1
2	301251	WHEEL, STEERING, 13"	1
3		TIRE & RIM. PU15X6.0X6 TURF	2
4	24167	VALVE-STEM	1
5	39829	WHEEL W/BRG.	1
6	39979	BEARING,FL1.38OD+.753ID PM	2
7		REFER TO TIRE TREAD PAGE	
8	120393	WASHER, FLAT .344x .69X.065	4
9	120638	WASHER, HVSP TLK .328X.60X.09	4
10	122007	SCREW, 5/16-18X.75 HHC	4
11	4 5 6 3 7 8	PIN, SPRING.250DIA X2.00LG HVPL	1
12	57212	COVER, STEERING SHAFT	
13	5 4 8 7 3	TROUGH, OIL DRAIN	
14	6 4 2	WASHER, FLAT .755X131X.075	4
1 5	36625	RING, RETEX .57X.05TRU5133-75	2
16	40394	CAP, 1.500ID X 7/8LG HUB	2

* Order Individual Parts.

3 8 " LAWN TRACTOR MODEL B3560-760

TREAD PATTERNS



TIRE SIZE

TIRE SIZE	"A"	"B"	"C"	"D"
11 X 4.00 - 5	42295			
13 X 5.00 - 6	41060			
15 X 6.00 - 6	30114-0	316702	39830	313952
16 X 6.50 - 8		41081		314539
18 X 6.50 - 8				
18 X 9.50 - 8		316701		313950
20 X 8.00 - 8	314584			
20 X 10.00 - 8	58276			313565
20 X 10.00 - 1.0		55893		
23 X 9.50 - 12	314370			
23 X 9.50 - 12		53655		

316711 A

ACCESSORIES

Contact the dealer where your tractor was purchased for the available accessories. If you are unable to contact the dealer, write to the address on the front cover of this manual.

Rear Engine Rider

Model	Description
700-10	Bagger - Fits 32" Side Discharge
708-17	Bagger - Fits 36" Side Discharge
9-02	Front Weight Box - holds 35 lbs.
648-16	Lawn Sweeper w/dump Release

Lawn Tractor

Model	Description
1-22	Bagger - Fits 30" Side Discharge
708-13	Bagger - Fits 36", 38", 39" & 45" Side Discharge
705-04	36" Two-Stage Snowblower - Fits 36", 38", 39", & 45" Side Discharge
661-06	42" Snowblade - Fits 36", 38", 39", & 45"
592-00	Tire Chains - 18" x 6.50"
585-00	Tire Chains 18" x 9.50" & 20" x 8"
672-01	Wheel Weights - Front - 1 pr. w/mtg. hdw. - Fits 15" tires
673-02	Wheel Weights - Rear - 1 pr. w/mtg. hdw. Fits 18" & 20" tires
709-03	Front Weights - Fits 30" & 32" Side Discharge
8-16	Lawn Sweeper w/dump Release

Garden Tractor - Light Ground Engaging

Model	Description
708-13	Bagger - Fits 36", 38", 39", & 45" Side Discharge
5705-04	36" Two-Stage Snowblower - Fits 36", 38", 39", & 45"
1-06	42" Snowblade - Fits 36", 38", 39", & 45"
672-01	Wheel Weights - Front 1 pr w/mtg. hdw. - Fits 15" tires
73-02	Wheel Weights - Rear 1 pr. w/mtg. hdw. Fits 18" & 20" tires
648-16	Lawn Sweeper w/dump Release
667-02	Sleeve Hitch w/lift bar - Fits 45"
-01	Adaptor (sleeve hitch) for use w/23" tires
706-00	Tire Chains - 20" x 10"
-00	Tire Chains - 23" x 9.50"
672-02	Wheel Weights Front - 1 pr w/mtg hdw. Fits 16" tires
673-00	Wheel Weights - Rear - 1 pr w/mtg hdw. Fits 23" tires
674-01	10" One Bottom Moldboard Plow
01	Cultivator - 7 row Adj. 6" - 42" width
676-01	Disc Harrow - 8" & 11" disc - Adj width & disc angle
77-02	Tiller - 5 HP Self-Powered - 28" width

Four Wheel Steer

Model	Description
-14	Bagger - Fits 40" & 46" Side Discharge
705-05	42" One-Stage Snowblower - Fits 40" & 46"
661-07	48" Snowblade Fits 40" & 46"
709-04	Rear Weight Box for 40" & 46"
648-16	Lawn Sweeper w/dump Release
706-00	Tire Chains 20" x 10"
671-00	Tire Chains 23" x 9.50"
672-02	Wheel Weights - Front - 1 pr. w/mtg hdw. Fits 16" tires
673-00	Wheel Weights - Rear 1 pr. w/mtg. hdw. Fits 23" tires
672-01	Wheel Weights - Front - 1 pr. w/mtg. hdw. Fits 15" tires
673-02	Wheel Weights Rear - 1 pr. w/mtg. hdw. Fits 18" & 20" tires

Four Wheel Steer Garden Tractor

Model	Description
667-04	Sleeve Hitch - w/lift bar Fits 46"
674-01	10" One Bottom Moldboard Plow
501	Cultivator - 7 row. - Adj. 6" - 42" width
678-01	Disc Harrow 8" & 11" Disc. Adj. width & disc angle
-02	Tiller 5 H.P. Self-Powered - 28" width
648-16	Lawn Sweeper w/dump Release

Requires a sleeve hitch

Part No. 31 7630