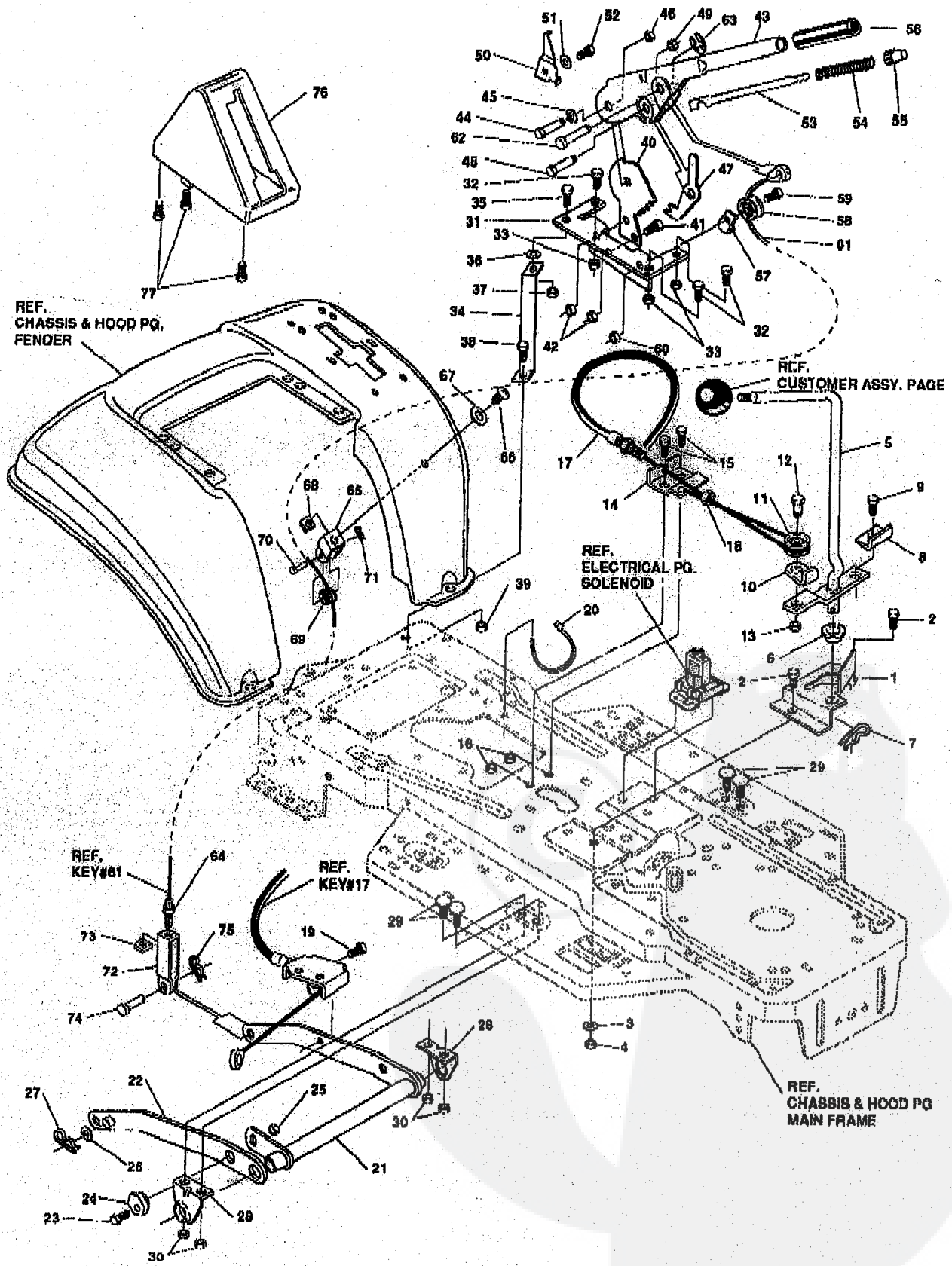


39" LAWN TRACTOR B3560-820

MOWER SUSPENSION ASSEMBLY



NOTE: ALWAYS USE ORIGINAL EQUIPMENT PARTS. Use of service/replacement parts other than original equipment parts may void your warranty.

ALL UNNUMBERED ITEMS ARE INTERCHANGABLE WITH OPPOSITE SIDE

310646G

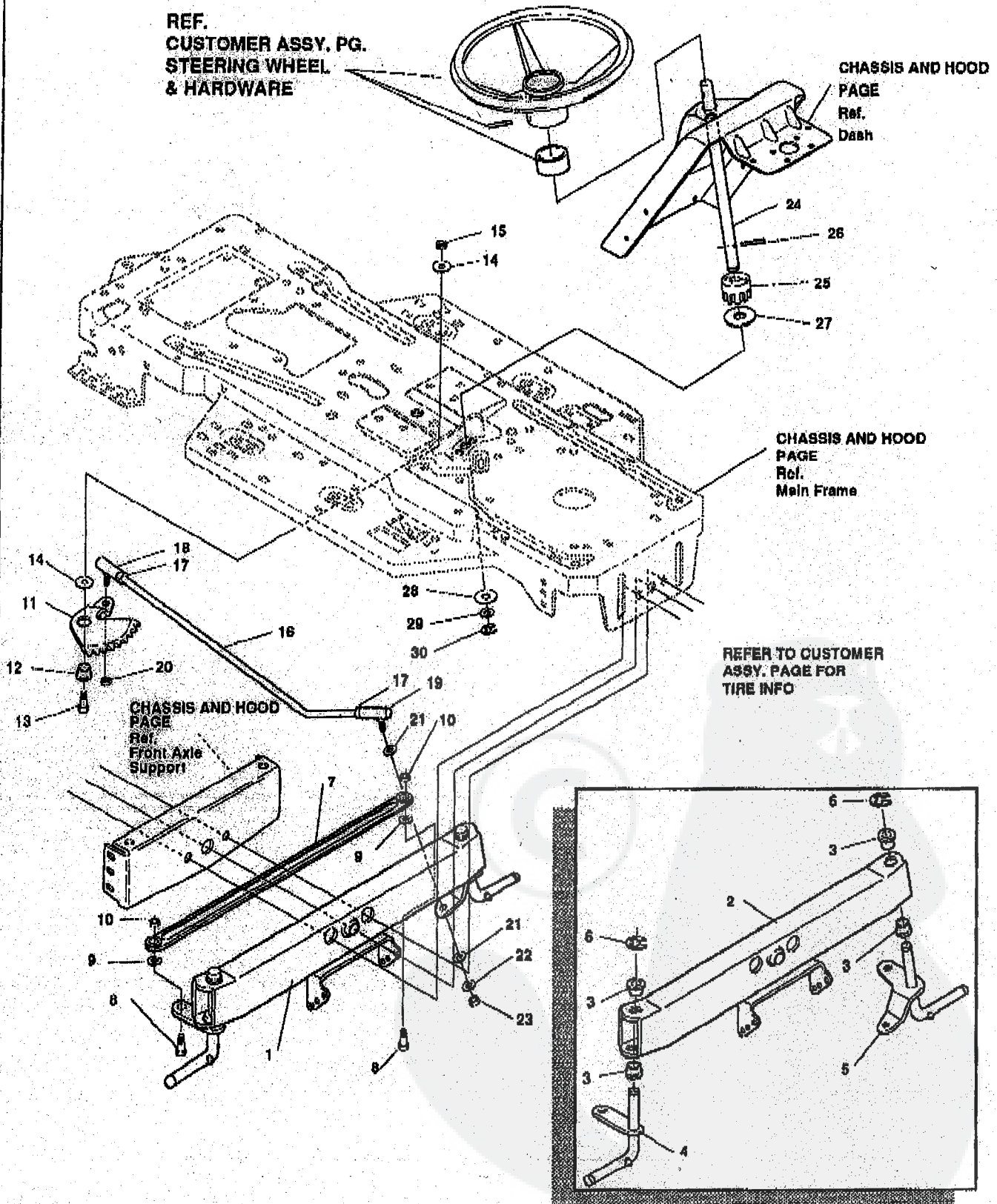
39" LAWN TRACTOR MODEL B3560-820

key#	part#	description	qty.
1	9402	BRACKET,CLUT-ENGAGELEVER	1
2	180079	◇ SCREW, 5/16-18X1.00 HHC	2
3	120393	WASHER, FLAT .344X .89X.065	2
4	1498	◇ NUT, 5/16-18 REGHEXCTRLK	2
5	304791	ASSY,CLUTCH LEVER	1
6	50148	BEARING,FL. .503IDX.828OD	1
7	8250	PIN, HAIR .091 DIA X1.66LG	1
8	315347	BRACKET,SWITCH ENGAGE	1
9	35498	◇ SCREW, 5/16-10X .75 WAHHTAP	1
10	1288	BRKT,CABLE RETAINER	1
11	39298	PULLEY, .806X.305 NYLON	1
12	58335	ROLT, .375X .375 HSSH 1/4-20	1
13	1502	◇ NUT, 1/4-20 REGHEXCTRLK	1
14	9307	BRKT, FRAME CABLE	1
15	180020	◇ SCREW, 1/4-20X .75 HHC	2
16	1502	◇ NUT, 1/4-20 REGHEXCTRLK	2
17	301503	ASSY,CABLE, BLADE ENGAGE	1
18	120613	◇ NUT, 1/4-28 HJAM	1
19	35498	◇ SCREW, 5/16-18X .75 WAHHTAP	1
20	57444	TIE, CABLE BLACK NYLON	1
21	9185	ASSY,REAR LIFT	1
22	9186	ASSY,LINK,RIGHT SIDE	1
23	180079	◇ SCREW, 5/16-18X1.00 HHC	1
24	58247	ADJUSTING NUT	1
25	1498	◇ NUT, 5/16-18 REGHEXCTRLK	1
26	120393	WASHER, FLAT .531X1.06X.095	2
27	8250	PIN, HAIR .091 DIA X1.66LG	2
28	9117	BRKT,REAR,HANG,SUSP	2
29	126211	BOLT, 5/16-18X .63 CARB	4
30	1498	◇ NUT, 5/16-18 REGHEXCTRLK	4
31	58333	BRACKET,LIFT/ADJUST SUPPORT	1
32	180077	◇ SCREW, 5/16-18X .75 HHC	3
33	1498	◇ NUT, 5/16-18 REGHEXCTRLK	3
34	304786	BRACE, FENDER F-5 SUS	1
35	180079	◇ SCREW, 5/16-18X1.00 HHC	1
36	45602	WASHER, FLAT .333X .87X.119	1
37	1498	◇ NUT, 5/16-18 REGHEXCTRLK	1
38	180079	◇ SCREW, 5/16-18X1.00 HHC	1
39	1498	◇ NUT, 5/16-18 REGHEXCTRLK	1
40	301238	QUADRANT, HEIGHT ADJUST	1
41	180077	◇ SCREW, 5/16-18X .75 HHC	2
42	1498	◇ NUT, 5/16-18 REGHEXCTRLK	2
43	9788	HANDLE, LIFT SHORT BLK	1
44	300171	ROLT, .500X .270 HSSH 5/16-18	1
45	998418	WASHER, FLAT .506X .75X.024	1
46	44108	◇ NUT, 5/16-18 HWDFLCTRLK	1
47	301239	PAWL, HEIGHT ADJUST	1
48	300171	BOLT, .500X .270 HSSH 5/16-18	1
49	44108	◇ NUT, 5/16-18 HWDFLCTRLK	1
50	9435	POINTER Z-PL	1
51	138470	WASHER, EXLK .195X.41X.03	1
52	35287	◇ SCREW, #8-32X .38 HHWAT	1
53	303027	ROD,ACTUATOR,SHORT	1
54	58326	SPRING, HEIGHT ADJUST	1
55	58325	KNOB, LIFT ADJ PUSH BUTON	1
56	58329	GRIP, .750 OD W/ HOLE	1
57	9140	BRKT, CABLE RETAIN	1
58	39298	PULLEY, .806X.305 NYLON	1
59	58336	ROLT, .375X .375 HSSH 1/4-20	1
60	1502	◇ NUT, 1/4-20 REGHEXCTRLK	1
61	300341	CABLE, LIFT 21.70 F-5 20X8-8	1
62	300310	PIN,CLEVIS .310DIA+.475LG	1
63	300311	RING, RET E .31X.24	1
64	120375	◇ NUT, 1/4-20 REGHEX	1
65	9239	CLEVIS	1
66	439455	◇ SCREW, 5/16-18X .56PHPNMA BKPH	1
67	301551	WASHER, .344IDX1.80DX.09 CU RPH	1
68	120373	◇ NUT, 5/16-18 SQ	1
69	39298	PULLEY, .806X.305 NYLON	1
70	300317	PIN, CLEVIS .38 DIA X1.00 LG	1
71	8250	PIN, HAIR .091 DIA X1.66LG	1
72	9405	CLEVIS, LIFT CABLE	1
73	120372	◇ NUT, 1/4-20 REGSQ	1
74	39522	PIN CLEVIS .312 X .812	1
75	121222	PIN, COTTER .080/.086X.75LG	1
76	300335	LIFT COVER-39" F5	1
77	300340	◇ SCREW, #10 X .75 HHPLAST	3

◇ Indicates Standard Hardware Items.

39" LAWN TRACTOR B3560-820

FRONT WHEEL STEERING ASSEMBLY



ALL UNNUMBERED
ITEMS ARE INTERCHANGABLE
WITH OPPOSITE SIDE

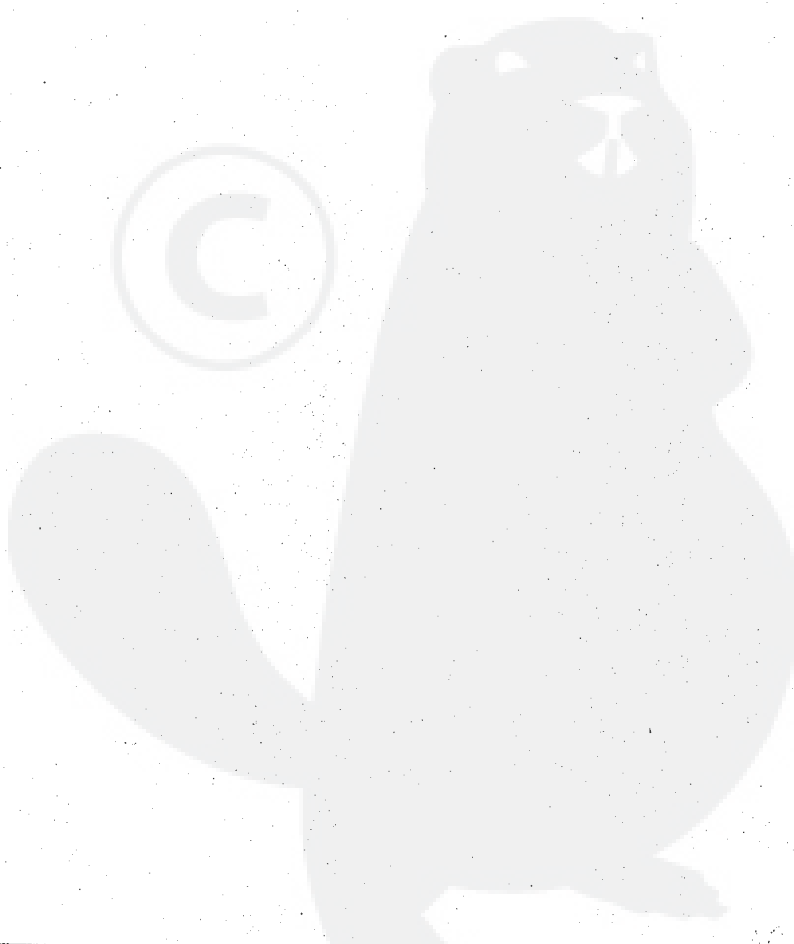
NOTE: ALWAYS USE ORIGINAL EQUIPMENT PARTS. Use of service/replacement parts other than original equipment parts may void your warranty.

315650C

39" LAWN TRACTOR MODEL B3560-820

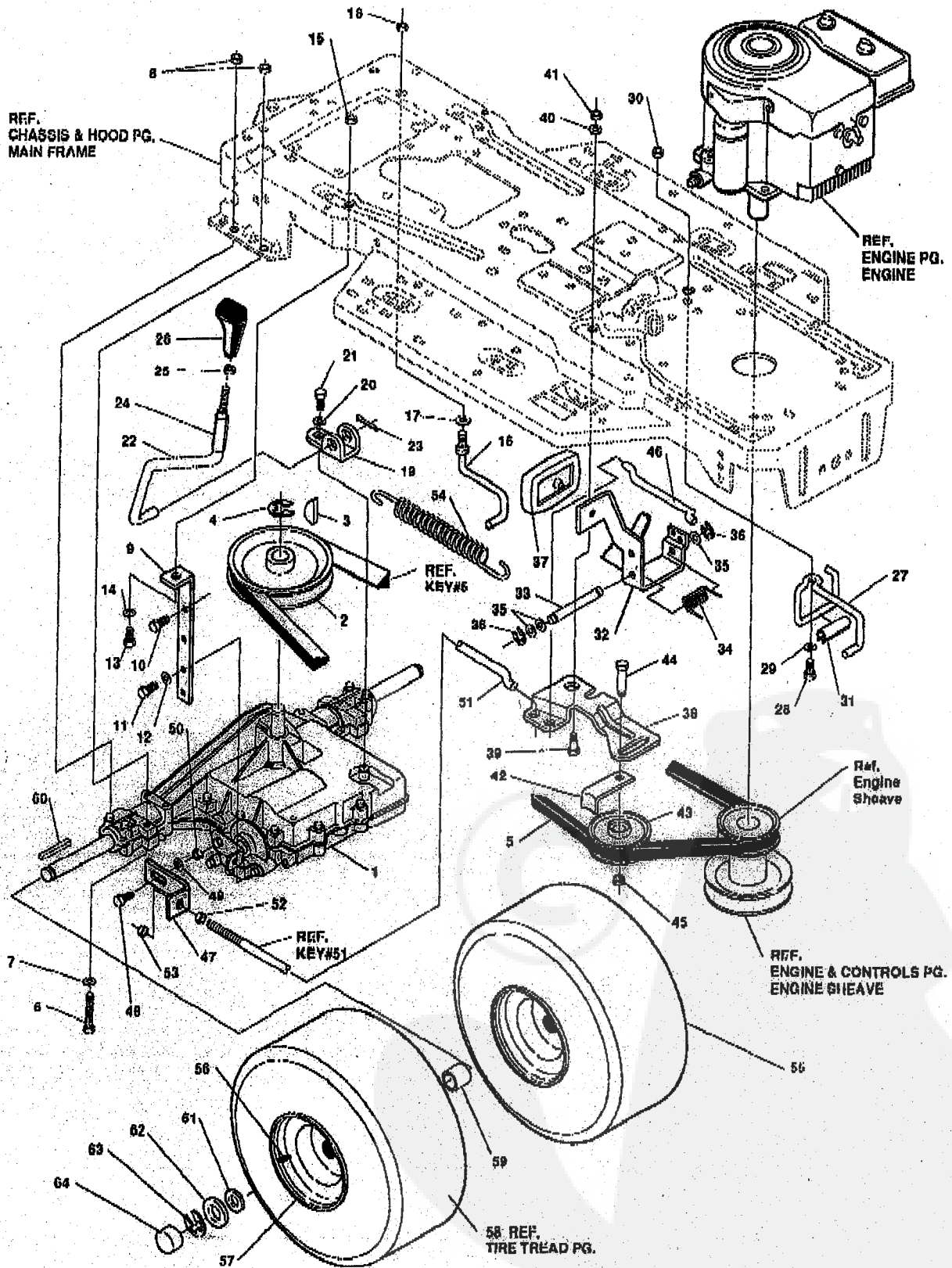
key#	part#	description	qty.
1	*		
2	300272	ASSY, AXLE FRONT 4/WS SUSP	1
3	52407	AXLE, FRONT	1
4	302926	SPINDLE BEARING	4
5	315886	ASSY, SPINDLE RH	1
6	36626	ASSY, SPINDLE LH	1
7	304590	RING, RETEX .57X.05TRU5133-75	2
8	180128	TIE ROD ASSY 19.81LG W-SECTION	1
9	120382	SCREW, 3/8-16X1.75 HHC	2
10	1499	WASHER, REGSPTLK.393X.68X.10	2
11	58289	NUT, 3/8-16 REGHEX	2
12	52406	SECTOR, STEERING LF	1
13	180177	BRNG, FL ECC.510IDX .998ODX .56	1
14	22265	SCREW, 1/2-13X1.50 HHC	1
15	1500	WASHER, FLAT .515X1.98X.119	2
16	58291	NUT, 1/2-13 REGHCTRLK	1
17	124925	STEERING LINK	1
18	57158	NUT, 3/8-24 REGHEXJAM	2
19	21275	BALL JOINT 3/8 THD SHORT STUD	1
20	46692	BALL JOINT 3/8 TH'D LONG STUD	1
21	120396	NUT, 3/8-24 WDFLHLK WHIZ	1
22	120382	WASHER, FLAT .531X1.06X.095	2
23	120369	WASHER, REGSPTLK.393X.68X.10	1
24	58243	NUT, 3/8-24 REGHEX	1
25	58244	SHAFT, STEERING LF	1
26	58274	PINION, STEERING LF	1
27	301410	PIN, DOWEL .2500 OD+1.75LG	1
28	301398	BRNG, FL .752IDX1.061ODX .24	1
29	21682	WASHER, FORMED1.135X1.53X.12	1
30	36625	WASHER, FLAT .765X1.25X.042 PL	1
		RING, RETEX .57X.05TRU5133-75	1

* Order Individual Parts



39" LAWN TRACTOR MODEL B3560-820

MOTION DRIVE ASSEMBLY



NOTE: ALWAYS USE ORIGINAL EQUIPMENT PARTS.
Use of service/replacement parts other than original equipment parts may void your warranty.

**ALL UNNUMBERED
ITEMS ARE INTERCHANGABLE
WITH OPPOSITE SIDE**

315011A

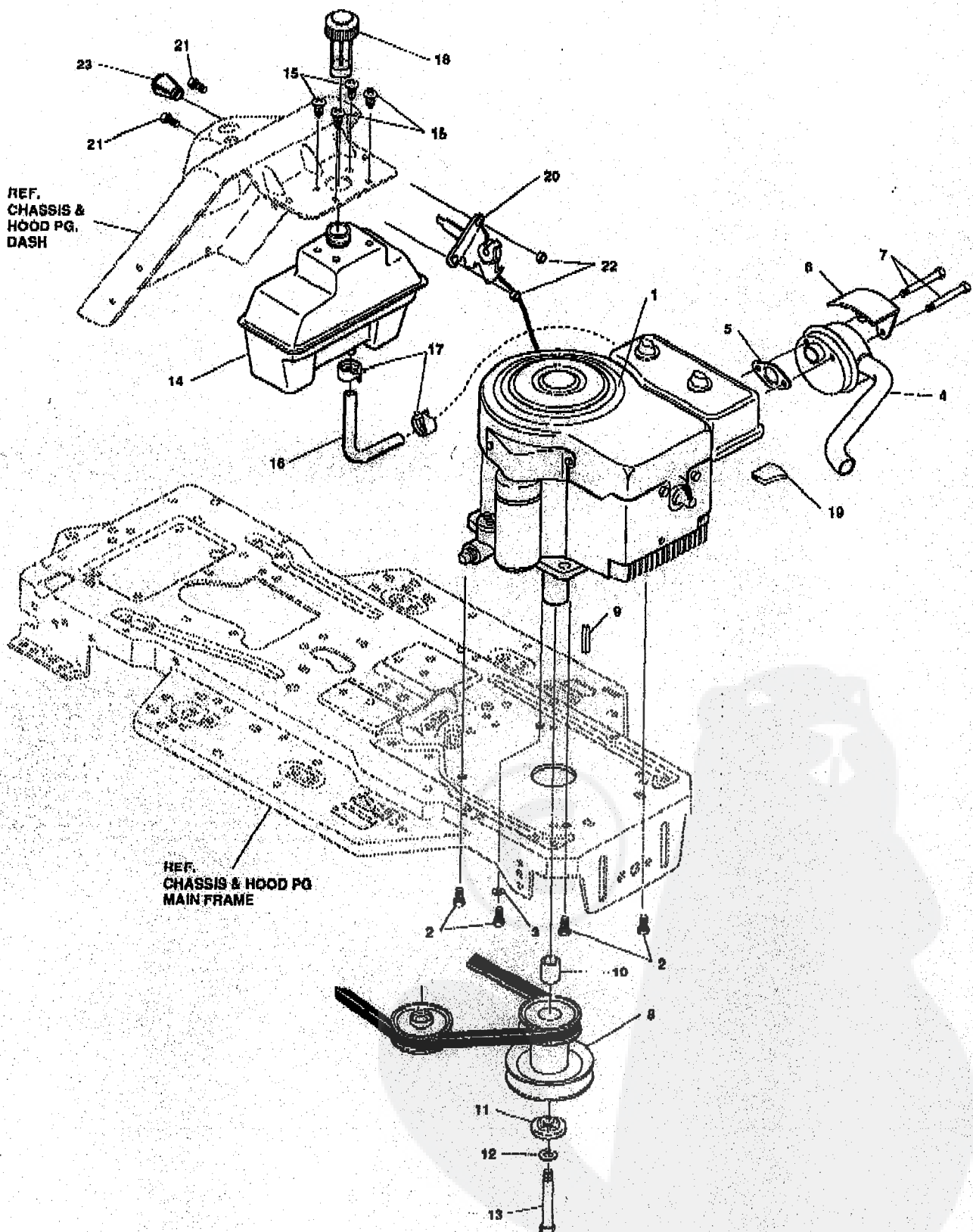
39" LAWN TRACTOR MODEL B3560-820

key#	part#	description	qty.
1	TRANSAXLE	FOOTE 4360-5 (CONTACT NEAREST DEALER)	1
2	302745	PULLEY, V 4L 6.60 OD	1
3	3021	KEY, WDRF 606 .750X.187X.312	1
4	22053	RING, RETEX .58X.04TRU5100-62	1
5	57214	BELT, V 4L 84.75	1
6	180112	SCREW, 5/16-18X2.75 HHC GR5	4
7	120393	WASHER, FLAT .344X .69X.065	4
8	1498	NUT, 5/16-18 REGHEXCTRLK	4
9	12632	STABILIZER BRKT P920,F4150	1
10	◇ 60947	SCREW, 3/8-16X1.25 WAHHTAP	1
11	◇ 35498	SCREW, 5/16-18X .75 WAHHTAP	1
12	◇ 120688	WASHER, HVSP TLK .328X.60X.09	1
13	◇ 122017	SCREW, 5/16-18X1.00 HHC GR2	1
14	◇ 120393	WASHER, FLAT .344X .69X.065	1
15	◇ 1498	NUT, 5/16-18 REGHEXCTRLK	1
16	57259	GUIDE, BELT 5/16-18THD	1
17	◇ 138538	WASHER, REGINTLK.320X.61X.09	1
18	◇ 1498	NUT, 5/16-18 REGHEXCTRLK	1
19	57480	BRKT,SHIFT P920-5/F4360-5&3 955	1
20	57157	WASHER,.750X.250 SP-TRANSAXLE	1
21	56255	CREW, 1/4-28X .75 NYLHHCGR8	1
22	302743	LEVER,SHIFT FOOT 4360-5&6 LF	1
23	137185	PIN, COTTER .125 DIA X1.00LG	1
24	302445	TUBE,CLEAR PLASTIC	1
25	◇ 120238	NUT, 1/2-13 HEXJAM	1
26	304438	KNOB,SHIFT NOMA 1/2-13 BLK	1
27	58356	GUIDE-BELT/DRAGLINK	1
28	◇ 180079	SCREW, 5/16-18X1.00 HHC GR5	1
29	◇ 45602	WASHER, FLAT .333X .87X.119	1
30	◇ 1498	NUT, 5/16-18 REGHEXCTRLK	1
31	303270	PLASTIC EXTRUSION-BELT GUIDE	1
32	300909	PEDAL ASSY, BRAKE/CLUTCH LF	1
33	57196	ROD, PIVOT .50 OD+4.44LG ZN PL	1
34	57847	SPRING, BRAKE PEDAL	1
35	2668	WASHER, FLAT .504X .75X.069	3
36	20884	RING, RET E .39X.04TRU5133-50	2
37	45160	PAD, CLUTCH BRAKE W/PRINTING	1
38	300154	ARM, IDLER TRACTION DR. LF	1
39	300793	BOLT, .625X .185 HHSH 5/16-18	1
40	◇ 45602	WASHER, FLAT .333X .87X.119	1
41	◇ 1498	NUT, 5/16-18 REGHEXCTRLK	1
42	39659	RETAINER, STRAP BELT	1
43	35374	PULLEY, IDLER V4L 3.06X .62	1
44	45892	BOLT, 3/8-16X1.50 CARR GR2	1
45	◇ 1498	NUT, 3/8-16 REGHXCTRLK	1
46	57204	ROD, CLUTCH LF	1
47	57217	BRACKET, BRAKE ROD	1
48	20507	BOLT, .487X .158 HHSH 5/16-18	1
49	◇ 45602	WASHER, FLAT .333X .87X.119	1
50	◇ 1498	NUT, 5/16-18 REGHEXCTRLK	1
51	57203	ROD, BRAKE LT 920 LF 22.25	1
52	◇ 271184	NUT, 5/16-18 HEXKEPS	1
53	◇ 1498	NUT, 5/16-18 REGHEXCTRLK	1
54	56359	SPRING, CLUTCH .113X.750X8.75	1
55	*	TIRE & RIM, PU 20X8.00-8TURWHI	2
56	24167	VALVE STEM	1
57	41105	WHEEL	1
58		REFER TO TIRE TREAD PAGE	
59	57479	SPACER, .75 X 1.25 X 1.32	2
60	39628	KEY, SQUARE .187SQX2.50LG	2
61	642	WASHER, FLAT .755X1.31X.075	4
62	42815	WASHER, FLAT .755X1.53X.07	2
63	38825	RING, RETEX .57X.05TRU5133-75	2
64	40394	CAP, 1.500ID X 7/8LG HUB	2

* Order Individual Parts.
◇ Indicates STANDARD HARDWARE ITEMS.

39" LAWN TRACTOR MODEL B3560-820

ENGINE & CONTROL ASSEMBLY



NOTE: ALWAYS USE ORIGINAL EQUIPMENT PARTS. Use of service/replacement parts other than original equipment parts may void your warranty.

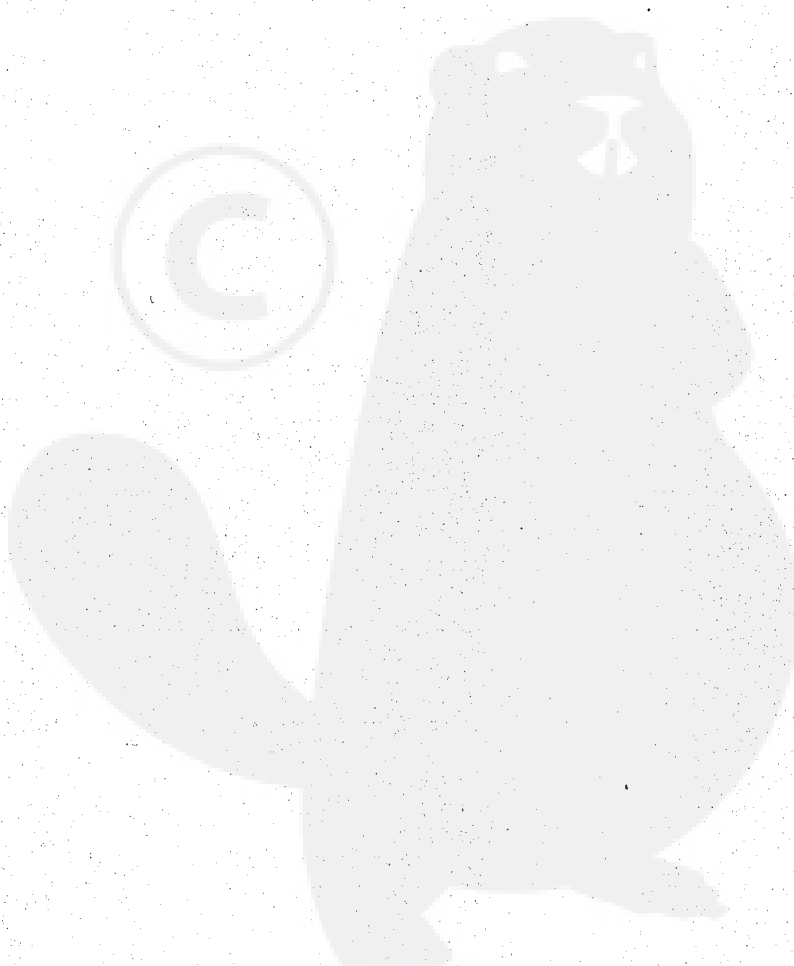
ALL UNNUMBERED ITEMS ARE INTERCHANGABLE WITH OPPOSITE SIDE

317754B

39" LAWN TRACTOR MODEL B3560-820

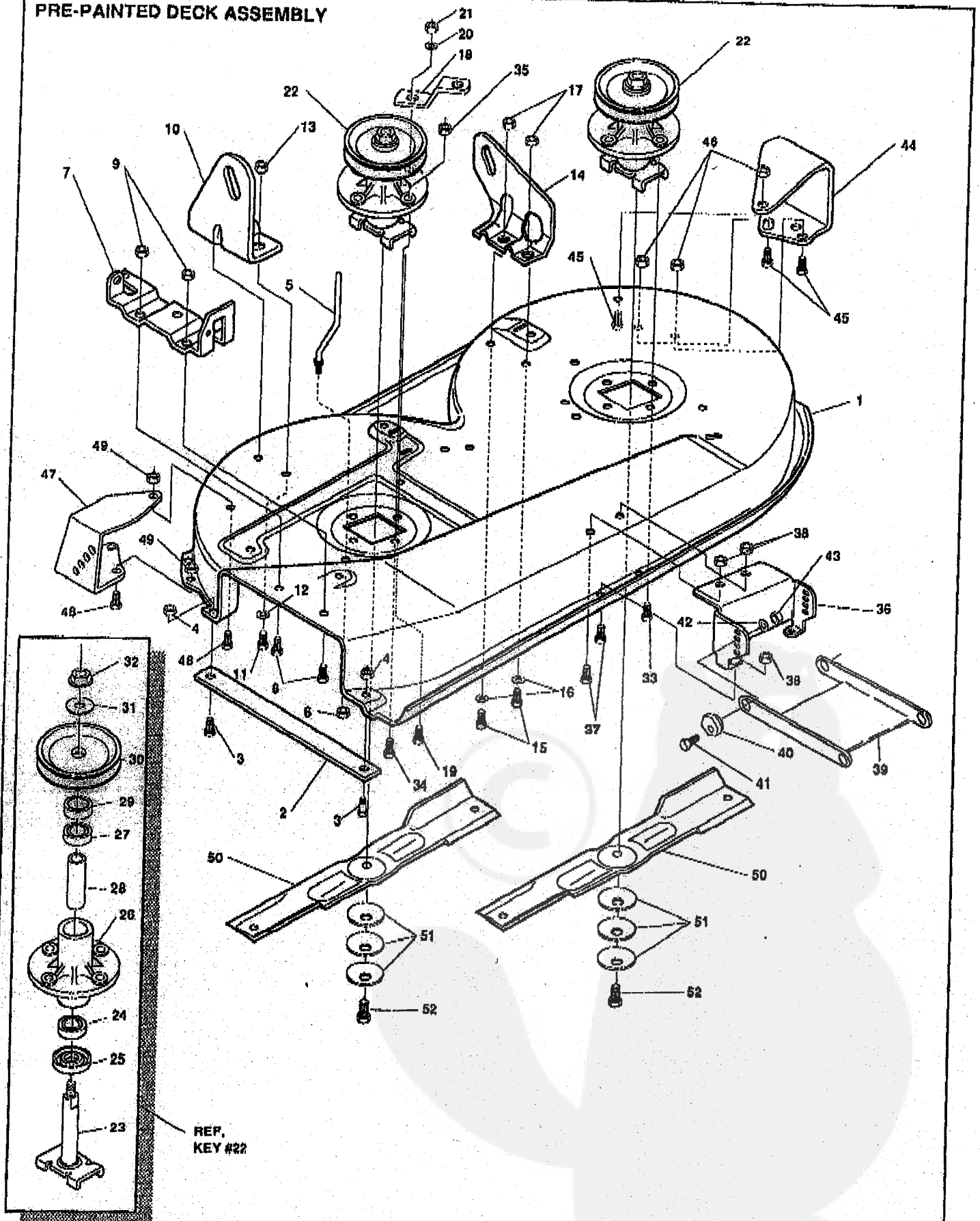
key#	part#	description	qty.
1	ENGINE	12 HP B&S I/C (SEE ENGINE MANUAL)	1
2	◇ 50947	SCREW, 3/8-16X1.25 WAHHTAP	4
3	138489	WASHER, EXLK.384X.69X.04	1
4	305367	MUFFLER-LO TONE NELSON EXPORT	1
5	46708	GASKET, MUFFLER	1
6	54767	SHIELD, HEAT, FOR ROUND MUFFLER	1
7	0173063	SCREW, 5/16-18X3.50 HHC GR2	2
8	58361	PULLEY ASSY, 4.75OFFS 5.5DIA	1
9	57791	KEY, SQUARE .2508QX5.00LG	1
10	304246	SPACER, 1.01X1.484 ENGIN PULLEY	1
11	58431	WASHER, .880IDX1.38ODX.437PILOT	1
12	0120383	WASHER, REGSPTLK.459X.78X.12	1
13	0428644	SCREW, 7/16-20X5.00 HHC	1
14	314989	TANK, FUEL	1
15	049050	SCREW, 1/4-10X .76PHPNTAPGR2	4
16	47452	GAS LINE .26ID	13'
17	48672	CLAMP, FUEL LINE	2
18	50988	CAP, GAS W/GAUGE FOR 1-GALTANK	1
19	302967	ENGINE SPEED REDUCER	1
20	56534	CONTROL, THROTTLE LF 12HP 20.5	1
21	◇ 35291	SCREW, 10-24X .50 SLHHMA GR2	2
22	◇ 271166	NUT, #10-24 HEXKEPS	2
23	50607	KNOB, ROUND THROTTLE	1

◇ Indicates STANDARD HARDWARE ITEMS.



39" LAWM TRACTOR MODEL B3560-820

PRE-PAINTED DECK ASSEMBLY



NOTE: ALWAYS USE ORIGINAL EQUIPMENT PARTS. Use of service/replacement parts other than original equipment parts may void your warranty.

ALL UNNUMBERED ITEMS ARE INTERCHANGABLE WITH OPPOSITE SIDE

315890A

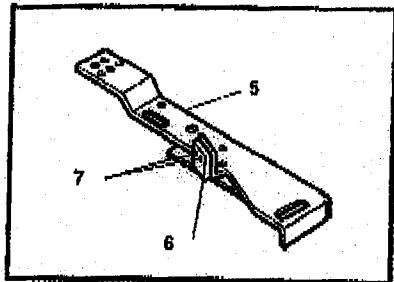
39" LAWN TRACTOR MODEL B3560-820

key#	part#	description	qty.
1	317325	DECK,39"SD MOWER	
2	57314	BAR, SKID	1
3	126216	BOLT, 5/16-18X .75 CARR	1
4	01498	NUT, 5/16-18 REGHEXCTRLK	2
5	57318	GUIDE, BELT 5/16-18 THD	2
6	01498	NUT, 5/16-18 REGHEXCTRLK	1
7	57360	BRACKET, CHUTE	1
8	0120934	SCREW, 5/16-18X .50 HHC	1
9	01498	NUT, 5/16-18 REGHEXCTRLK	2
10	58250	LIFT BRACKET, REAR,RH	2
11	0180077	SCREW, 5/16-18X .75 HMC	1
12	120393	WASHER, FLAT .344X .69X.065	2
13	01498	NUT, 5/16-18 REGHEXCTRLK	2
14	58251	BRACKET,DECK LIFTREAR LH	2
15	0180077	SCREW, 5/16-18X .75 HHC	1
16	120393	WASHER, FLAT .344X .69X.065	2
17	01498	NUT, 5/16-18 REGHEXCTRLK	2
18	315302	BRACKET, IDLER SUPPORT	2
19	0300345	SCREW, 5/16-18X1.38 WATAP	1
20	120393	WASHER, FLAT .344X .69X.065	1
21	01498	NUT, 5/16-18 REGHEXCTRLK	1
22	56424	QUILL ASSY, 36/39/40/43	1
23	56425	SHAFT/SADDLE 36"	2
24	49562	BRNG. BALL	1
25	50616	DUST SHIELD	1
26	55547	QUILL CASTING	1
27	49562	BRNG. BALL	1
28	50818	SPACER,3.797LGX.689IDX.69OD	1
29	51449	SPACER, 4.98LGX.932ODX.672ID-	1
30	56390	PULLEY,28/36" QUILL	1
31	56365	SPECIAL WASHER	1
32	01202	NUT, 7/16-20 WDFLLK	1
33	050634	SCREW, 5/16-18X .88 WAHHTAP	1
34	0300345	SCREW, 5/16-18X1.38 WATAP	6
35	01498	NUT, 5/16-18 REGHEXCTRLK	1
36	58315	LIFT SUPPORT FRONT DECK	1
37	0180075	SCREW, 5/16-18X .63 HHC	1
38	01498	NUT, 5/16-18 REGHEXCTRLK	4
39	58305	LINK BRACKET,DECK FR	4
40	58247	ADJUSTING NUT	1
41	0122017	SCREW, 5/16-18X1.00 HHC	2
42	35214	WASHER, FLAT .328X1.06X.062	2
43	01498	NUT, 5/16-18 REGHEXCTRLK	2
44	300103	WHEEL BRKT, LH	2
45	0180075	SCREW, 5/16-18X .63 HHC	1
46	01498	NUT, 5/16-18 REGHEXCTRLK	3
47	300102	WHEEL BRKT, RH	3
48	0180075	SCREW, 5/16-18X .63 HHC	1
49	01498	NUT, 5/16-18 REGHEXCTRLK	3
50	58190	BLADE, 19.69 HI-LIFT	3
51	2483	WASHER, 39IDX1.25DX.07 BELLVIL	2
52	030573	SCREW, 3/8-24X1.00 NYLHHC	6
			2

0 Indicates STANDARD HARDWARE ITEMS

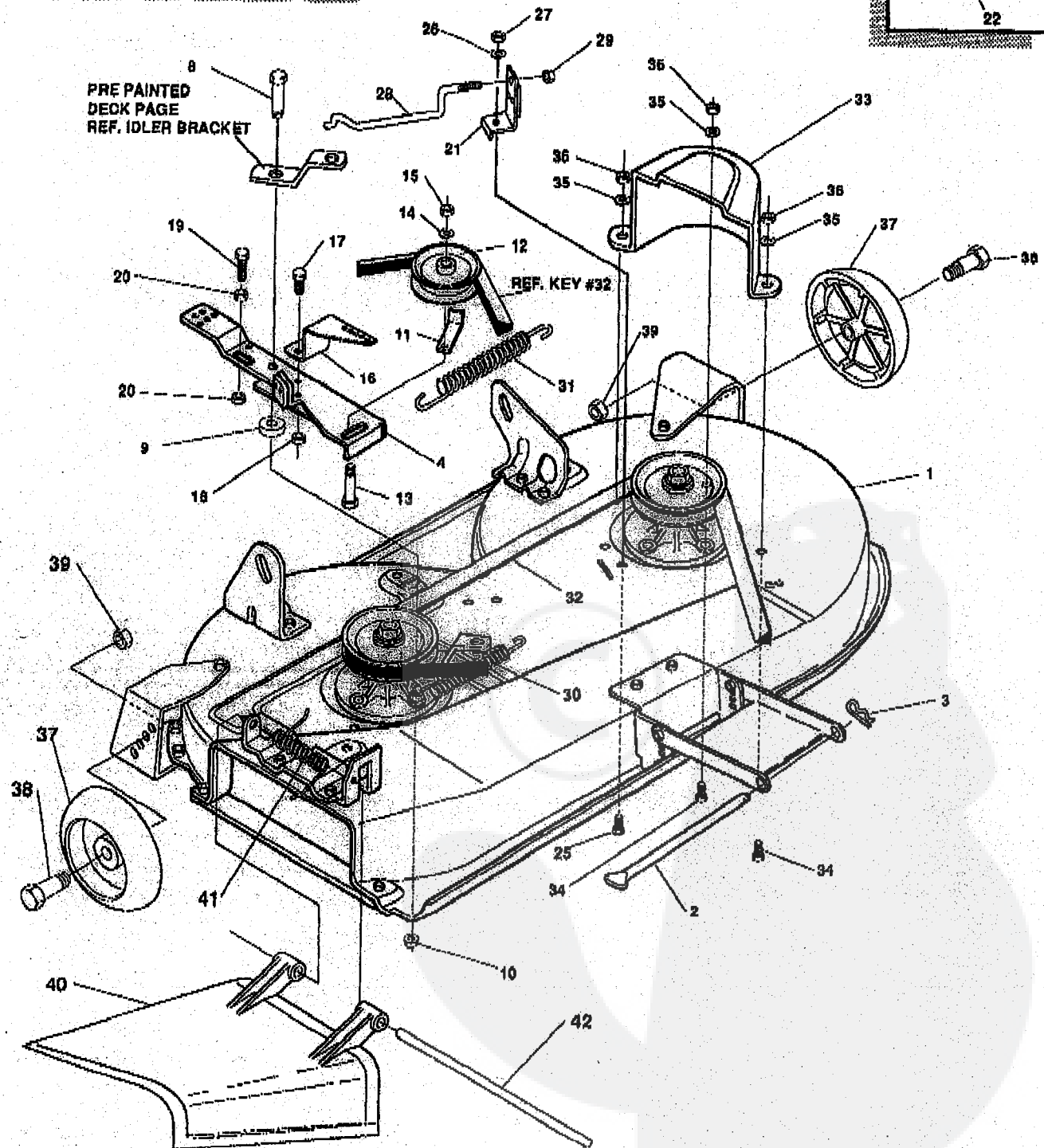
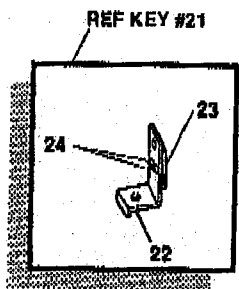
39" LAWN TRACTOR MODEL B3560-820

FINAL DECK ASSEMBLY



SEE DWG. 316690 FOR PART ASSY
OF PAINTED DECK

REF KEY #4



NOTE: ALWAYS USE ORIGINAL EQUIPMENT PARTS.
Use of service/replacement parts other than original equipment parts may void your warranty.

**ALL UNNUMBERED
ITEMS ARE INTERCHANGABLE
WITH OPPOSITE SIDE**

316602A

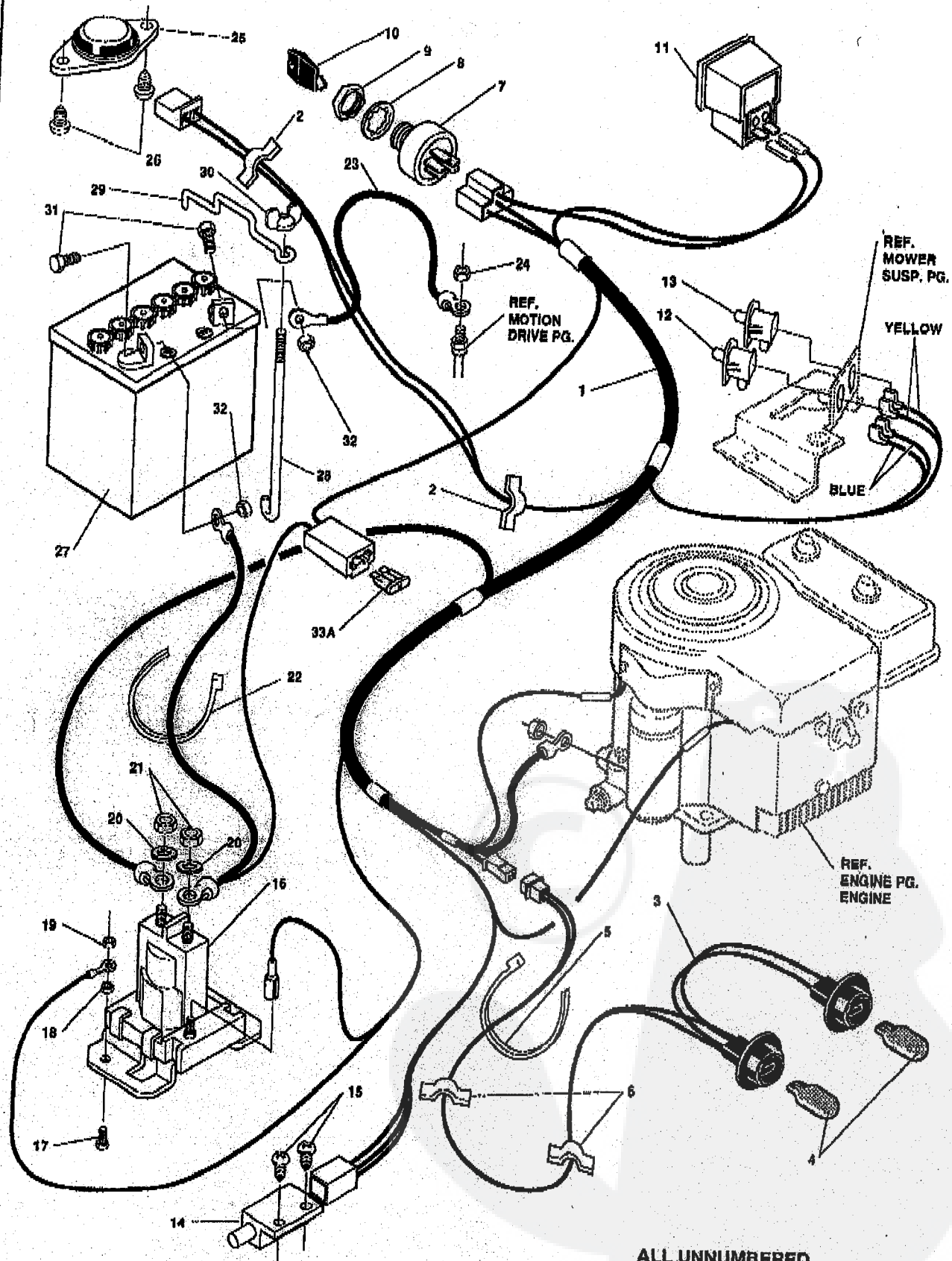
39" LAWN TRACTOR MODEL B3560-820

key#	part#	description	qty.
1		ASSY DECK 39SD 2-DECKWH	1
2	58906	ROD, DECK HITCH	1
3	8260	PIN, HAIR .091 DIA X 1.66	1
4	300491	BRACKET, IDLER ARM/BRAKE	1
5	300490	IDLER ARM 36,38,39,&45	1
6	306973	BRAKE PAD - HARD	1
7	135624	RIVET, TRSET .185DIA X .41	2
8	300180	BOLT, .50 X 1.88 HSSH 3/8-16	1
9	998416	WASHER, FLAT .391 X 1.00 X .125	1
10	045171	NUT, 3/8-16 HWDFL WHIZ NUT	1
11	1346	BELT RETAINER 2.55 OD	1
12	310326	PULLEY, IDLER BFF 4.00	1
13	67825	BOLT, 3/8-16 X 2.00 CARR	1
14	120392	WASHER, REGSPTLK .393 X .68 X .10	1
15	0120377	NUT, 3/8-16 REGHX	1
16	9401	BRACKET, EXTENSION IDLER	1
17	0180077	SCREW, 5/16-18 X .75 HHC	1
18	01498	NUT, 5/16-18 REGHEXCTRLK	1
19	0121954	SCREW, 1/4-20 X 2.00 HHC	1
20	0271172	NUT, 1/4-20 REGHEXKEPS	2
21	303247	ASSY. BLADE BRAKE	1
22	12542	BRAKE ARM	1
23	306973	BRAKE PAD	1
24	136624	RIVET, TRSET .185DIA X .41	2
25	0120228	SCREW, 5/16-18 X .63 HHC	1
26	120393	WASHER, FLAT .344 X .69 X .065	1
27	01498	NUT, 5/16-18 REGHEXCTRLK	1
28	300316	ROD, BRAKE RELEASE 14.7 39	1
29	01502	NUT, 1/4-20 REGHEXCTRLK	1
30	95410	SPRING .071 X .62 X 4.37	1
31	300473	SPRING, TENSION	1
32	300680	BELT, V 5L 77.75	1
33	302833	GUARD, BELT LH	1
34	120228	SCREW, 5/16-18 X .63 HHC	3
35	120393	WASHER, FLAT .344 X .69 X .065	3
36	01498	NUT, 5/16-18 REGHEXCTRLK	3
37	302811	WHEEL, SD	2
38	23763	BOLT, .500 X 1.390 HSSH 3/8-16	2
39	01499	NUT, 3/8-16 REGHXCTRLK	2
40	57818	CHUTE 36SD, 39SD	1
41	314975	SPRING, TORSION	1
42	57317	PIVOT ROD, CHUTE	1

* Order Individual Parts.
◊ Indicates STANDARD HARDWARE ITEMS.

39" LAWN TRACTOR MODEL B3560-820

ELECTRICAL ASSEMBLY



ALL UNNUMBERED
ITEMS ARE INTERCHANGABLE
WITH OPPOSITE SIDE

NOTE: ALWAYS USE ORIGINAL EQUIPMENT PARTS.
Use of service/replacement parts other than original equipment parts may void your warranty.

815441B

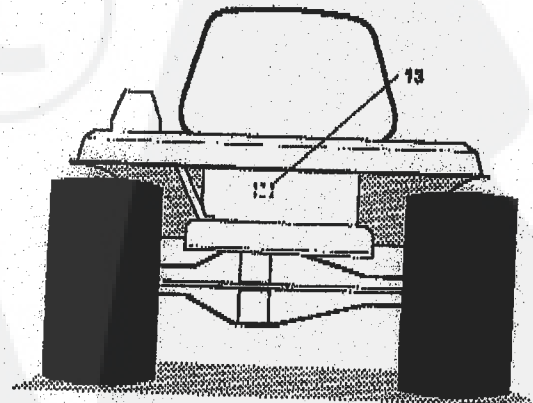
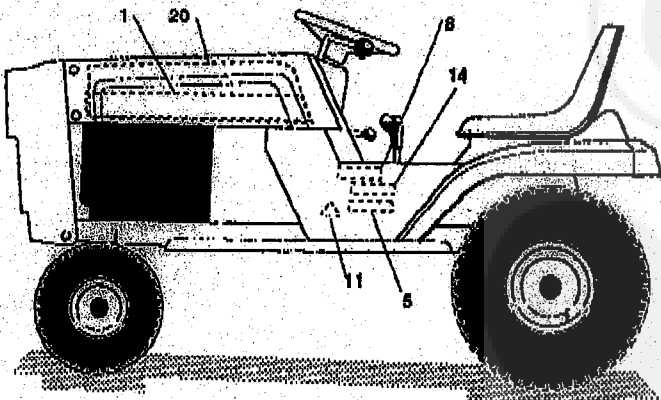
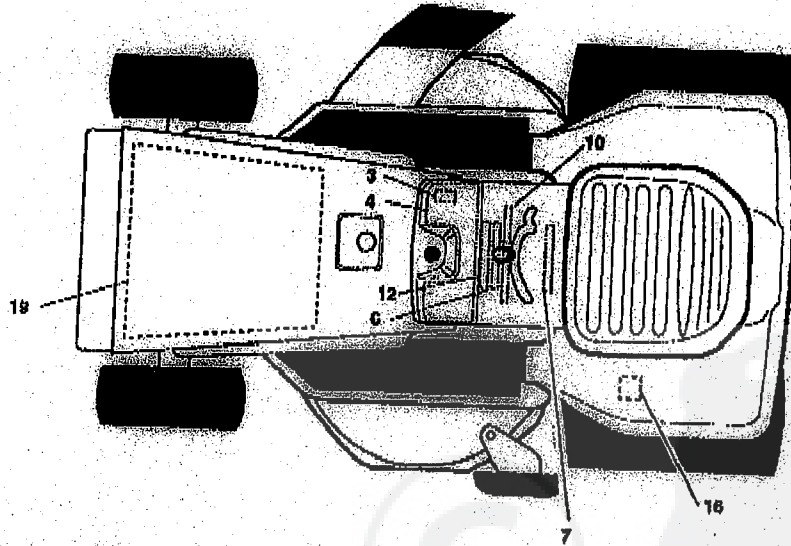
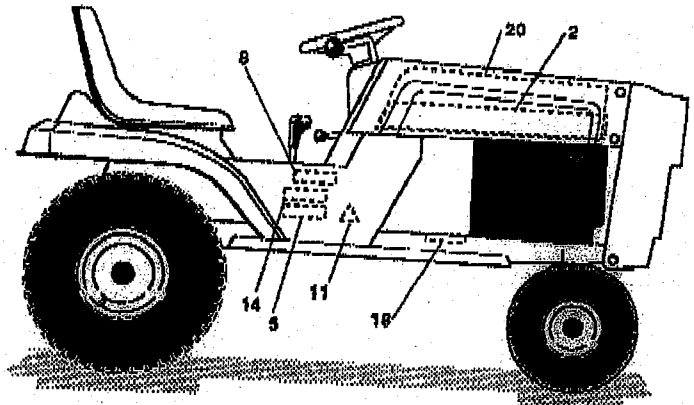
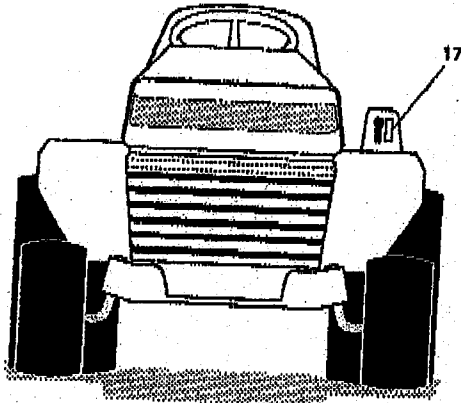
39" LAWN TRACTOR MODEL B3560-820

key#	part#	description	qty.
1	305432	WIRESHNESS 12B&S AMM SUSP WRA	1
2	41482	PRESS CLIP, 1.380LG .255ID	2
3	303064	ASSY, LIGHT WIRE-1/4 TURN	1
4	52572	BULB, HEADLAMP	2
5	57444	TIE, CABLE BLACK NYLON 5.62L	1
6	41482	PRESS CLIP, 1.380LG .255ID	2
7	300687	SWITCH, IGNITION & LIGHTS	1
8	138557	WASHER, REGINTLK.640X1.1X.05	1
9	048140	NUT, 5/8-32 HXHD IGN SWIT	1
10	300626	KEY, IGNITION SWITCH	1
11	300133	AMMETER	1
12	300220	SWITCH, SNAPMNT NO .055/.116	1
13	58277	SWITCH, SNAPMNT NO .055/.106	1
14	57211	SWITCH, SCR MNT SP NO	1
15	057220	SCREW, #12 X .50 PHPNHTAP	2
16	53716	SOLENOID	1
17	0187745	SCREW, 1/4-20X .75 HXSEMMA	2
18	01502	NUT, 1/4-20 REGHEXCTRLK	2
19	0271172	NUT, 1/4-20 REGHEXKEPS	1
20	138485	WASHER, EXLK .320X.61X.03	2
21	0120368	NUT, 5/16-24 REGHEX	2
22	57444	TIE, CABLE BLACK NYLON 5.62L	1
23	55511	WIRE, GROUND, 12.5"	1
24	0271184	NUT, 5/16-18 HEXKEPS	1
25	57547	SWITCH, SEAT	1
26	0160505	SCREW, 1/4-20X .38PHPNHMA	2
27	302257	BATTERY 12V 7 PLATE/	1
28	57551	ROD, BATTERY	1
29	57552	ROD, BATTERY, TOP	1
30	310097	NUT, WING 1/4-20 SMALL PLASTIC	1
31	0120854	SCREW, 1/4-20X .63 HHC	2
32	0271172	NUT, 1/4-20 REGHEXKEPS	2
33A	** 302031	FUSE, 15 AMP SPADE TYPE	1
33B	** 49211	FUSE, 15 AMP CYLINDRICAL	1

* Raw part number. For a list of Painted part numbers refer to chart on decal page.
**Cylindrical or Spade type fuses are included with the wire harness.

39" LAWN TRACTOR MODEL B3560-820

DECALS

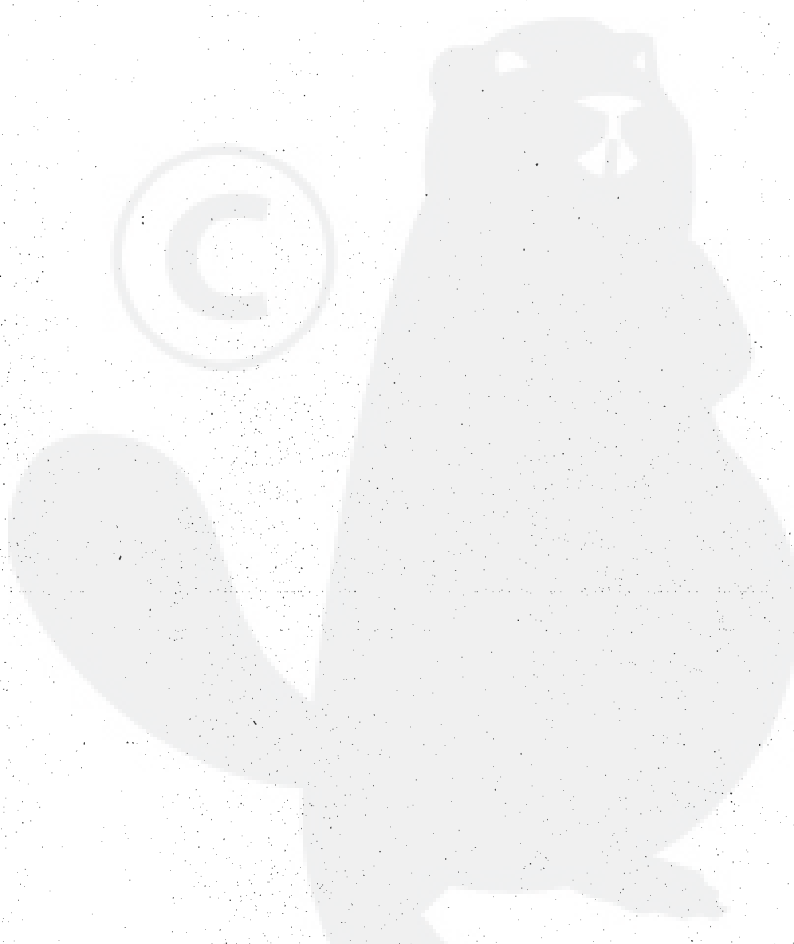


NOTE: ALWAYS USE ORIGINAL EQUIPMENT PARTS.
Use of service/replacement parts other than original equipment parts may void your warranty.

**ALL UNNUMBERED
ITEMS ARE INTERCHANGABLE
WITH OPPOSITE SIDE**

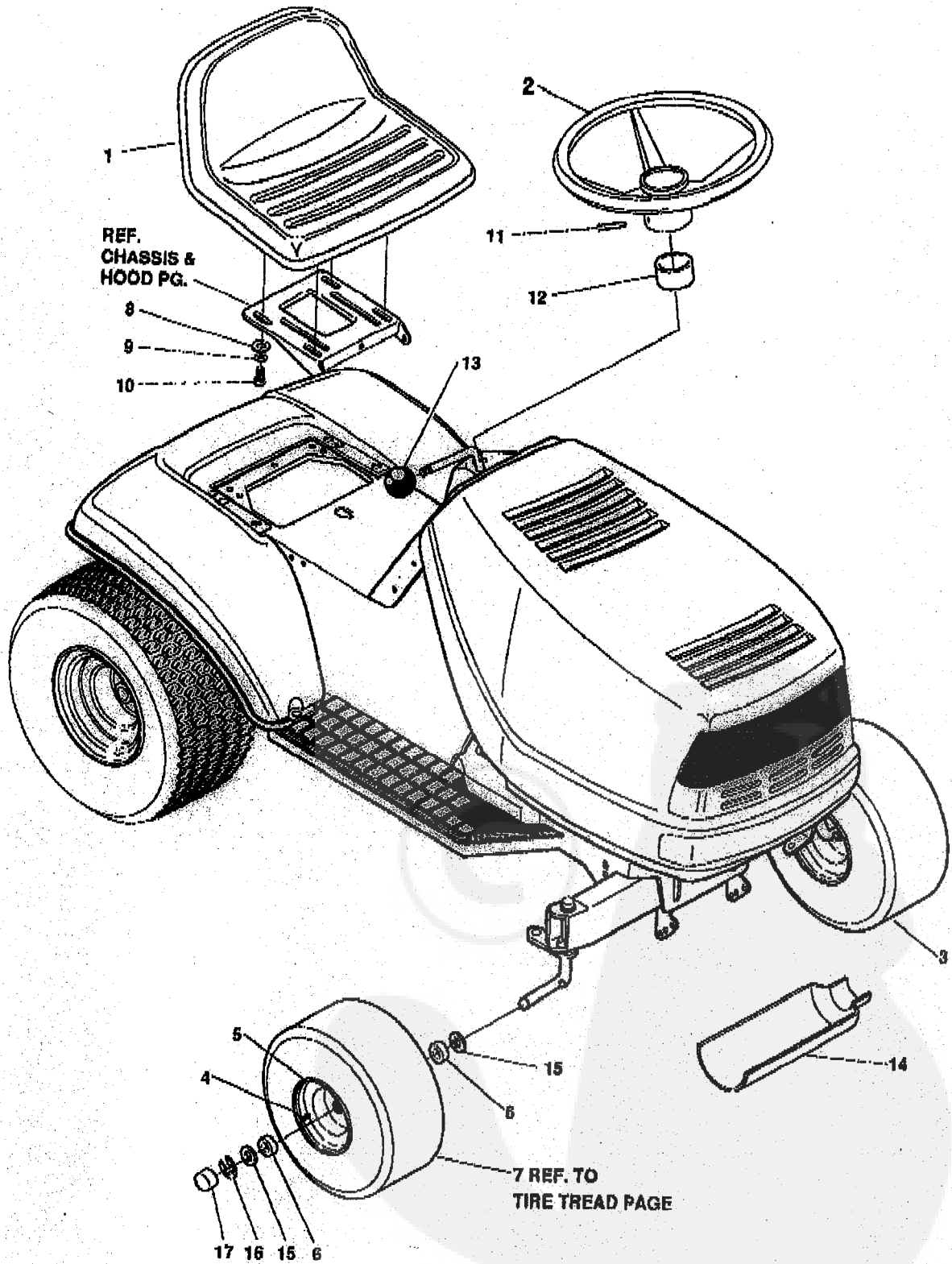
39" LAWN TRACTOR MODEL B3560-820

key#	part#	description	qty.
1	312007	DECAL,HOOD H6 UNITECH LH	1
2	312008	DECAL,HOOD H6 UNITECH RH	1
3	68900	DECAL,BLADE ENGAGE EUROPE	1
4	307038	DECAL,DASH,PLAIN BLACK AMM	1
5	68902	DECAL,WARNING,FRENCH/GERMAN	2
6	69524	DECAL,INSTRUCT CONSOLE TOP GER	1
7	69525	DECAL,INSTRUCT CONSOLE TOP FR	1
8	300442	NAMEPLATE, 12/39 WHITE	2
9		REFERENCE ONLY	1
10	301104	DECAL, CONSOLE TOP SHIFT 5-SP	1
11	305770	DECAL,CAUTION TRIANGLE EUROPE	2
12	307383	DECAL,INSTR. CONSOLE TOP ENGL	1
13	310436	DECAL,FRENCH SAFETY CERT.	1
14	310553	DECAL,DANGER ENGLISH	2
15		REFERENCE ONLY	1
16	68901	DECAL,BLADE HEIGHT ADJ. EUROPE	1
17	301897	DECAL, LIFT DECK BLADE HEIGHT	1
18	68903	DECAL,BRAKE/CLUTCH EUROPE	1
19	55835	PAD, FOAM HOOD TOP H-6/7	1
20	55836	PAD, FOAM HOOD SIDE H-6/7	2



39" LAWN TRACTOR MODEL B3560-820

CUSTOMER ASSEMBLY



39" LAWN TRACTOR MODEL B3560-820

CUSTOMER ASSEMBLY VIEW

315857 PARTS BAG ASSY QTY1

key#	part#	description	qty
1	57455	SEAT,550 MICH.	1
2	301251	WHEEL, STEERING, 19"	1
3	302828	TIRE & RIM, PU 15X6.0X6 TURF	2
4	24167	VALVE STEM	1
5	39829	WHEEL W/BRG.	1
6	39979	BEARING,FL1.38OD+.753ID FM	2
7		REFER TO TIRE TREAD PAGE	
8	120393	WASHER, FLAT .344X.69X.065	4
9	120638	WASHER, HVSP TLK .328X.60X.09	4
10	122007	SCREW, 5/16-18X .75 HHC	4
11	456378	PIN, SPRING.280DIA X 2.00LG HVPL	1
12	57212	COVER, STEERING SHAFT	1
13	55514	SHIFT KNOB	1
14	54873	TROUGH, OIL DRAIN	1
15	642	WASHER, FLAT .755X1.31X.075	4
16	36625	RING, RETEX .57X.05TRU5133-75	2
17	40394	CAP. 1.500ID X 7/8LG HUB	2

* Order Individual Parts.

EUROGARDEN (INTERNATIONAL) S.A
SINT-TRUIDENSESTEENWEG 252 A
B-3300 TIENEN - BELGIUM
TEL ++32-16-80 54 24
FAX. ++ 32-16-80 54 25

*Salutations,
Gerda Peerenbooms.*