

# REPAIR PARTS MANUAL

## 45" - 18 H.P. LAWN TRACTOR

### MODEL B3583-230

#### TWO YEAR LIMITED WARRANTY

For two (2) years from date of purchase by the first consumer for residential use (thirty (30) days commercial use), NOMA Outdoor Products Incorporated warrants that it will replace free of charge, including labor, any original part of any NOMA Outdoor Products Incorporated product found to be defective by any authorized Service Dealer or the factory, except the battery which is warranted for ninety (90) days from date of purchase. Dealer or the factory, except the battery which is warranted for ninety (90) days from date of purchase.

This warranty does not cover engine, transmission, transaxle or differential (these items are covered by their manufacturer's own warranty). This warranty does not cover parts that have failed due to normal wear or parts that have failed subject to misuse or abuse. Transportation of the unit or part to and from an authorized Service Dealer or factory is the responsibility of the owner.

A step by step explanation as to what procedure should be followed for this warranty is:

1. If a part becomes defective, contact the store where the unit was purchased for the name and address of the authorized Service Dealer nearest to you.
2. If you cannot locate an authorized Service Dealer, write Service Department of NOMA Outdoor Products Incorporated for the name and address of the authorized Service Dealer in your area or call the Service Department at 1-800-422-1600.
3. Return the defective product, along with proof of purchase to such authorized Service Dealer for replacement of any defective part where covered by this warranty.

There is no other express warranty, implied warranties, including those of merchantability and fitness for a particular purpose are limited to two (2) years from date of purchase. Liability for incidental or consequential damages are excluded.

Some states do not allow limitations on how long an implied warranty lasts, so the above limitation may not apply to you. Some states do not allow the exclusion of incidental or consequential damages, so the above exclusion may not apply to you. This warranty gives you specific legal rights, and you may have other rights which vary from state to state.

NOMA Outdoor Products Incorporated  
NOMA Outdoor Products Incorporated

Caller 8000  
Caller 8000

Jackson, TN 38308-8000  
Jackson, TN 38308-8000

#### UNIT PARTS AND SERVICE

This manual contains instructions for safety, assembly and maintenance. Read this manual carefully and completely so that you will know proper assembly, use and care of your unit. Also fill in and mail the registration card packed with the unit. For service other than covered in this manual, contact an authorized service dealer. A nationwide parts and service organization has been established to provide locally available parts and service. A list of authorized parts distributors has been included in this manual. When ordering repair parts, always give the following information: 1. The Part Name; 2. The Part Number; 3. The Quantity desired; 4. The Full (eight digit) Model Number of the unit. The model number will be found on a plate attached to the unit.



Look for this symbol: **ATTENTION! BECOME ALERT! A HAZARD TO OPERATOR, BYSTANDER, PROPERTY OR EQUIPMENT MAY EXIST.**

NOMA Outdoor Products Incorporated  
Part No. 318240  
Jackson, TN 38308-8000

# OPERATIONAL PRECAUTIONS

THESE INSTRUCTIONS ARE FOR YOUR PROTECTION. PLEASE READ THEM CAREFULLY.

1. Know the controls and how to stop quickly. **READ THIS OPERATOR'S MANUAL** and instructions furnished with attachments.
2. Wear safety glasses or eye shields when assembling or operating riding mower.
3. Do not allow children to operate the machine. Do not allow adults to operate it without proper instruction.
4. Do not carry passengers. Do not mow when children and others are around. Disengage power to blade(s) or attachment(s) and stop the engine while others are in the vicinity of the mower.  
Battery fluid (electrolyte) is an ACID and is extremely dangerous. Do not smoke while servicing the battery. Do not service the battery near a open flame or spark. Handle gasoline with care, it is highly flammable.
  - A. Use approved gasoline container.
  - B. Never remove the fuel cap of, or add gasoline to, a running or hot engine, or an engine that has not been allowed to cool for several minutes after running. Never fill the tank indoors and always clean up spilled fuel immediately.
  - C. Do not smoke while filling fuel tank.
  - D. Do not run the engine indoors. Open doors if engine must be run in garage. Exhaust fumes contain CARBON MONOXIDE, an ODORLESS and DEADLY GAS.Check fuel supply before each use allowing space for expansion as the heat of the engine and/or sun can cause gasoline to expand.  
Do not operate mower when barefooted. Always wear substantial footwear, preferably steel-toed shoes. Do not wear loose fitting clothing that could get caught in moving parts.  
Clear the work area of objects (wire, rocks, etc.) which might be picked up and thrown. Check all controls for proper function.
5. Disengage all attachment clutches, shift to neutral, and set parking brake before attempting to start the engine (motor). When starting engine equipped with a pull starter, stand firm and make sure your feet are well away from the blade(s).
  1. Disengage power to blade(s) or other attachment(s) and stop the engine (motor) before leaving the operator's position. Always dismount from the left side.
  2. Disengage power to blade(s) or other attachment(s) and stop the engine (motor) before making any repairs or adjustments.
  3. Disengage power to blade(s) or other attachment(s) when transporting or not in use.
  4. Take all possible precautions when leaving the vehicle unattended, such as disengaging power to blade(s) or attachment(s), lower the attachment(s), setting the parking brake, stopping the engine (motor), and removing the key.
  5. Do not stop or start suddenly when going uphill or downhill. Mow up and down the face of steep slopes; never across the face.
  6. Reduce speed and exercise extreme caution on slopes and in sharp turns to prevent tipping or loss of control. Be especially cautious when changing direction on slopes.
6. Stay alert for holes, rocks, and roots in the terrain and other hidden hazards. Keep away from drop-off. Never operate your riding mower on wet or slippery grass or at a speed which could cause a skid. Exercise care when mowing around a fixed object to prevent the blade(s) from striking it. Never deliberately run over any foreign object.
7. Always disengage blade control lever before attempting to remove the mower from a hole or other obstruction.
8. Use care when pulling loads or using heavy equipment.
  - A. Use only approved drawbar hitch points.
  - B. Limit loads to those that you can safely control.
  - C. Do not turn sharply. Use care when backing.
  - D. Use counterweight(s), wheel weights or tire chains when suggested in attachment(s) instructions.
9. Watch for traffic when crossing or near roadways.
10. When using attachment(s), never direct discharge of material toward bystanders nor allow anyone near the vehicle while in operation.
11. Keep the vehicle and attachments in good operating condition, and keep safety devices in place and in working condition.
12. Keep all nuts, bolts, and screws tight to be sure the equipment is in safe working condition.
13. Never store the equipment with gasoline in the tank inside a building where fumes may reach an open flame or spark. Allow the engine to cool before storing in any enclosure.
14. To reduce fire hazard, keep the engine free of grass, leaves or excessive grease.
15. The vehicle and attachments should be stopped and inspected for damage after striking a foreign object, and the damage should be repaired before restarting and operating the equipment!
16. Do not change the engine governor settings or over-speed engine.
17. When using the vehicle with mower, proceed as follows:
  - A. Mow only in daylight or in good artificial light.
  - B. Never make a cutting height adjustment while the engine (motor) is running if the operator must dismount to do so.
  - C. Shut the engine (motor) off when removing the grass catcher or unclogging chute.
  - D. Check the blade mounting bolts for proper tightness at frequent intervals.
18. Under normal usage, the grass catcher bag material is subject to deterioration and wear. Check the bag frequently for deterioration and wear and replace worn bags. Check that replacement bags comply with the original manufacturer's recommendations or specifications.
19. Disengage power to mower before backing up. Do not mow in reverse unless absolutely necessary and then only after careful observation of the entire area behind the mower.

# OWNER'S INFORMATION

Record the following information about your unit so that you will be able to provide it in case of loss or theft.

MODEL NUMBER:     -     (Enter complete 8 digit number from model plate on unit)

PURCHASE DATE: \_\_\_ / \_\_\_ / \_\_\_ CODE NO.: \_\_\_\_\_ SERIAL NO.: \_\_\_\_\_

DEALER'S NAME AND ADDRESS: \_\_\_\_\_

CITY: \_\_\_\_\_ STATE: \_\_\_\_\_ TELEPHONE: \_\_\_\_\_

## CONTENTS OF SHIPPING CARTON

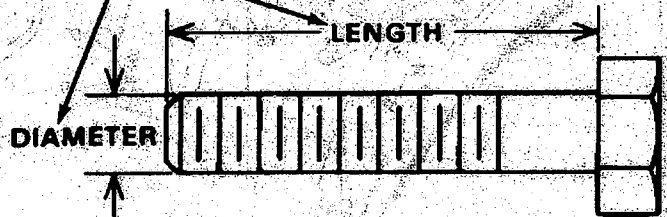
- 1 - Lawn Tractor with 45 inch Mower Deck
- 1 - Operator's Manual
- 1 - Repair Parts Manual
- 1 - Engine Manual
- 1 - Steering Wheel (see Note)
- 1 - Seat (see Note)
- 1 - Chute Deflector (see Note)
- 2 - Deck Wheels (see Note)
- 1 - Pivot Rod (see Note)
- 1 - Torsion Spring (see Note)
- 1 - Battery Acid Pak
- 1 - Bag of Assembly Parts Containing (see Note):
  - 2 - Nuts, 3/8-16 Centerlock Hex
  - 2 - Shoulder Bolts, 3/8-16
- 1 - Bag of Assembly Parts Containing (see Note):
  - 1 - Oil Drain Trough
  - 4 - 5/16 x 3/4 inch Hex Head Screws
  - 4 - 5/16 inch Split Lockwashers
  - 4 - 11/32 inch Flatwashers

NOTE: Refer to page 20 & 21 (Customer Assembly Parts) for more detailed description.

## TOOLS REQUIRED FOR ASSEMBLY

- 2 - 7/16 inch Wrenches (or adjustable wrench)
- 1 - 1/2 inch Wrench (or adjustable wrench)
- 1 - Small Phillips Screwdriver with a 1/4 inch shank
- 1 - Hammer

## HOW TO MEASURE SCREW SIZE (5/16 x 1 1/2 INCH)



### DANGER



This lawn tractor can be dangerous if carelessly used.

Read your Operator's Manual thoroughly before operating your lawn tractor.

Always wear safety glasses or eye shields while assembling or operating your lawn tractor.

DO NOT carry passengers at any time.

Keep your hands, feet, hair and loose clothing away from the discharge area, the underside of the mower deck or any moving parts while the engine is running.

DO NOT allow children or young teenagers to operate or be near your lawn tractor while it is operating.

## ALWAYS GIVE THE FOLLOWING INFORMATION WHEN ORDERING REPAIR PARTS:

1. The PART NUMBER; 2. The PART NAME; 3. QUANTITY DESIRED; 4. The MODEL NUMBER (As shown on Model Plate).

SEND PART ORDERS AS PER INSTRUCTIONS ON THE FRONT PAGE.

DO NOT USE KEY NUMBERS WHEN ORDERING REPAIR PARTS, ALWAYS USE PART NUMBERS.

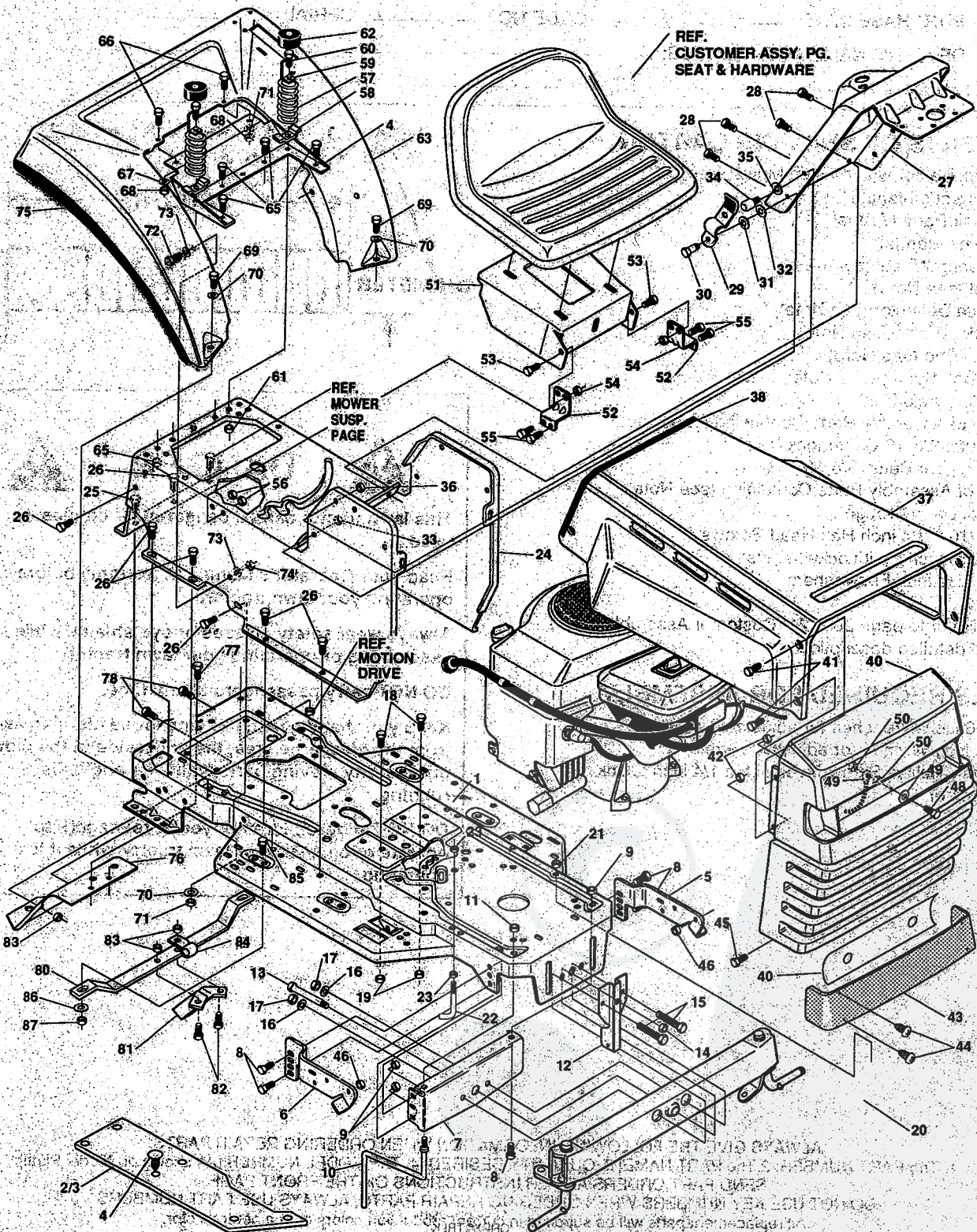
All replacement parts will be supplied in current production colors or in a neutral color.

A handling fee is applicable to small parts orders.

YOUR UNIT IS RIGHT-HAND (RH) OR LEFT-HAND (LH) AS YOU STAND BEHIND IT.

# 45" LAWN TRACTOR MODEL B3583-230

## CHASSIS & HOOD ASSEMBLY



**NOTE: ALWAYS USE ORIGINAL EQUIPMENT PARTS.** Use of service/replacement parts other than original equipment parts may void your warranty.

**ALL UNNUMBERED ITEMS ARE INTERCHANGABLE WITH OPPOSITE SIDE**

317494A

# 45" LAWN TRACTOR MODEL B3583-230

45" LAWN TRACTOR MODEL B3583-230

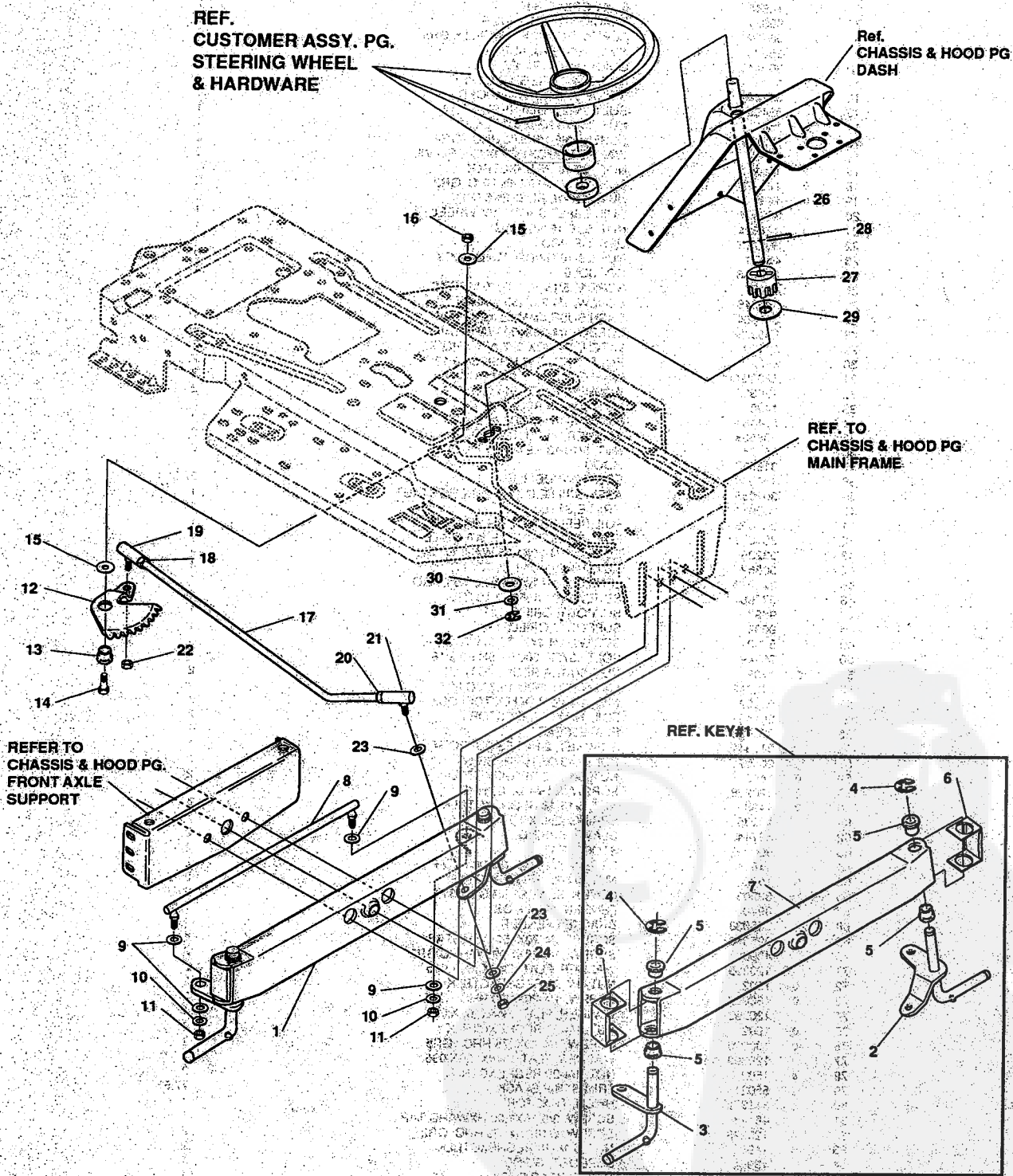
key#	part#	description	qty.
1	317311	FRAME, MAIN	1
2	310007	FOOTPAD, LH	1
3	310008	FOOTPAD, RH	1
4	309235	FASTENER, RATCHET	12
5	12643	BRKT. GRILLE, L.H.	1
6	12644	BRKT. GRILLE, R.H.	1
7	56361	BRACKET, FRONT AXLE	1
8	56030	SCREW, 5/16-18X.75 WDFLLK GR5	5
9	55273	NUT, 5/16-18 HXWDFLLK	5
10	300440	GUIDE, BELT, RIDER	1
11	1498	NUT, 5/16-18 REGHEXCTRLK	1
12	317489	BRACKET, FRONT HANGER	1
13	52403	BOLT, .625X2.180 HSH 1/2-13	1
14	1500	NUT, 1/2-13 REGHCTRLK	1
15	122207	SCREW, 3/8-16X3.00 HHC GR2	2
16	2483	WASHER, 3/8IDX1.25DX.07 BELLVIL	2
17	1498	NUT, 3/8-16 REGHXCTRLK	2
18	120229	SCREW, 5/16-18X.88 HHC GR2	2
19	1498	NUT, 5/16-18 REGHEXCTRLK	2
20	300634	GUIDE, BELT SHORT 15" WHEEL	1
21	124824	NUT, 5/16-18 HEXJAM	1
22	301713	UPSTOP ROD	1
23	45171	NUT, 3/8-16 HWDFL WHIZ-LOCK	2
24	310446	CONSOLE	1
25	35497	SCREW, 5/16-18X .50 WAHHTAP	1
26	995346	SCREW, 1/4-20X .50 WAHHTAP	13
27	310664	DASH, SUSP. AMM, I.L. CHOKE, LF	1
28	995346	SCREW, 1/4-20X .50 WAHHTAP	4
29	57159	LATCH, .94WDX.047 ASSY HOOD	2
30	8482	BOLT, .375X .156 HSH 5/16-18	2
31	120394	WASHER, FLAT .406X .81X.065	2
32	120393	WASHER, FLAT .344X .69X.065	2
33	1498	NUT, 5/16-18 REGHEXCTRLK	2
34	53446	PIN, 5/16-18 HOOD LATCH GR2	2
35	138538	WASHER, REGINTLK.320X.61X.03	2
36	45174	NUT, 5/16-18 HEXWDFLLK WHIZ	2
37	316527	HOOD	1
38	47453	EDGING, WIDE BLK	27.5"
39	303055	ASSY. GRILLE G-12 BLACK WESTAUT	1
40	302954	GRILLE, STYLE	1
41	301628	FOIL, REFLECTOR, RH WA GRILL	1
42	301629	FOIL, REFLECTOR, LH WA GRILL	1
43	53225	SCREW, 1/4-20X.25 WAHHC GR2	4
44	50352	NUT, 1/4-20 WDFLLK TOPLOCK	4
45	302073	LENS, CLEAR W/O TABS NO LOGO	1
46	57796	SCREW, #6 X .50 PLASTITE	4
47	9697	SUPPORT, GRILLE RH	1
48	9699	SUPPORT, GRILLE LH	1
49	56021	SCREW, 1/4-14X .75 SLWATAP	6
50	36149	BOLT, .375X .500 HSH 5/16-18	2
51	1498	NUT, 5/16-18 REGHEXCTRLK	2
52	310748	LANYARD, HOOD 15.77LG H15	1
53	50352	NUT, 1/4-20 WDFLLK TOPLOCK	1
54	301452	FOIL, HEAT REFLECTOR	2
55	305930	PLATE, SEAT	1
56	317341	BRACKET, 2-HOLES SUPPORT	1
57	20507	BOLT, .437X .156 HSH 5/16-18	2
58	1498	NUT, 5/16-18 REGHEXCTRLK	2
59	120228	SCREW, 5/16-18X .63 HHC	4
60	1498	NUT, 5/16-18 REGHEXCTRLK	4
61	49335	SPRING, .250 X 1.75 X 4.50	2
62	53744	CLAMP, SPRING	2
63	300292	STOP, SEAT	2
64	44811	SCREW, 1/4-20X .75 HXWATAP	2
65	1502	NUT, 1/4-20 REGHEXCTRLK	2
66	53205	COVER, SEAT SPRING 2.25 ID	2
67	8948	FENDER, F-4, LF GS	1
68	305038	BRACKET, FENDER	1
69	995346	SCREW, 1/4-20X .50 WAHHTAP	4
70	48900	SCREW, 1/4-20X1.00 WAHHC GR2	2
71	120393	WASHER, FLAT .344X .69X.065	2
72	1502	NUT, 1/4-20 REGHEXCTRLK	2
73	180022	SCREW, 1/4-20X1.00 HHC GR5	2
74	120393	WASHER, FLAT .344X .69X.065	4
75	1502	NUT, 1/4-20 REGHEXCTRLK	2
76	180020	SCREW, 1/4-20X .75 HHC GR5	2
77	120393	WASHER, FLAT .344X .69X.065	4
78	1502	NUT, 1/4-20 REGHEXCTRLK	2
79	55021	TRIM STRIP, BLACK	77.5"
80	311372	HITCH, TRACTOR	1
81	48148	SCREW, 3/8-16X1.00 HXWAHD TAP	1
82	120228	SCREW, 5/16-18X .63 HHC GR2	2
83	1498	NUT, 5/16-18 REGHEXCTRLK	2
84	43964	SUPPORT, GUIDE	1
85	49777	GUIDE, REAR DECK	1
86	122017	SCREW, 5/16-18X1.00 HHC GR2	2
87	1498	NUT, 5/16-18 REGHEXCTRLK	2
88	57569	RETAINER, .31IDX.62X.03 WIRE	1
89	126358	BOLT, 5/16-18X1.00 CARR GR2	2
90	1498	NUT, 5/16-18 REGHEXCTRLK	2
91	446363	WASHER, FLAT .375X .88X.082	2
92	317826	OPERATOR'S MANUAL (NOT ILLUSTRATED)	1
93	318240	PARTS MANUAL	1

STANDARD HARDWARE ITEMS

# 45" LAWN TRACTOR MODEL B3583-230

318195A

## STEERING ASSEMBLY



ALL UNNUMBERED ITEMS ARE INTERCHANGABLE WITH OPPOSITE SIDE

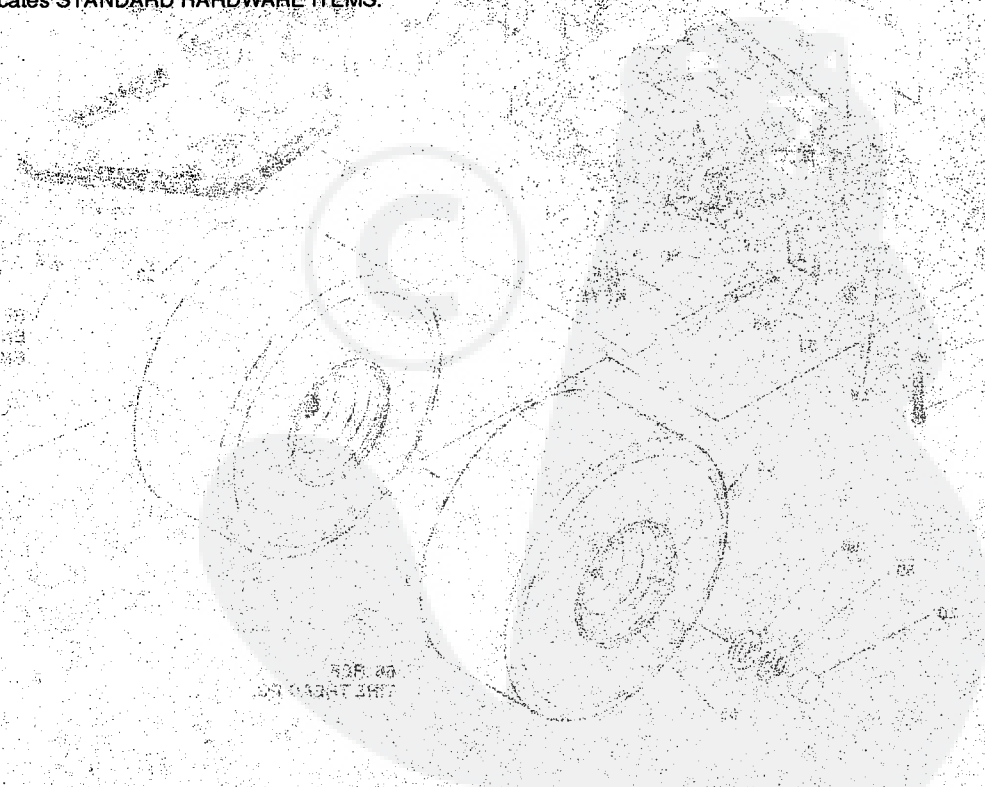
**NOTE: ALWAYS USE ORIGINAL EQUIPMENT PARTS.** Use of service/replacement parts other than original equipment parts may void your warranty.

318195A

45" LAWN TRACTOR MODEL B3583-230

key#	part#	description	qty.
1	*	AXLE, FRONT ASSY, LONG	1
2	314087	ASSY, SPINDLE, LH	1
3	9274	ASSY, SPINDLE RH	1
4	36625	RING, RETEX .57X.05TRU5133-75	2
5	52407	SPINDLE BEARING	4
6	53373	AXLE COVER	2
7	55730	AXLE, FRONT	1
8	300328	TIE ROD, .625DIA GRND ENGAGER	1
9	◊120395	WASHER, FLAT .469X.92X.065	4
10	120382	WASHER, REGSPTLK.393X.68X.10	2
11	◊120369	NUT, 3/8-24 REGHEX	2
12	58289	SECTOR, STEERING LF	1
13	52406	BRNG, FL ECC.510IDX .998ODX .56	1
14	◊180177	SCREW, 1/2-13X1.50 HHC	1
15	◊22265	WASHER, FLAT .515X1.38X.119PL	2
16	◊1500	NUT, 1/2-13-REGHCTRLK	1
17	302863	DRAG LINK, .625 DIA	1
18	◊124925	NUT, 3/8-24 REGHEXJAM	1
19	57158	BALL JOINT 3/8 THD SHORT STUD	1
20	◊272123	NUT, 7/16-20 HXJAM	1
21	302865	BALL JOINT 7/16-20	1
22	◊46692	NUT, 3/8-24 WDFLHLK WHIZ	1
23	◊120396	WASHER, FLAT .531X1.06X.095	2
24	120383	WASHER, REGSPTLK.459X.78X.12	1
25	◊271506	NUT, 7/16-20 REGHX	1
26	58243	SHAFT, STEERING	1
27	58244	PINION, STEERING	1
28	58274	PIN, DOWEL .2500 OD+1.75LG PL	1
29	301410	BRNG, FL .752IDX1.061ODX .24	1
30	301398	WASHER, FORMED1.135X1.53X.12	1
31	◊21682	WASHER, FLAT .765X1.25X.042 PL	1
32	36625	RING, RETEX .57X.05TRU5133-75	1

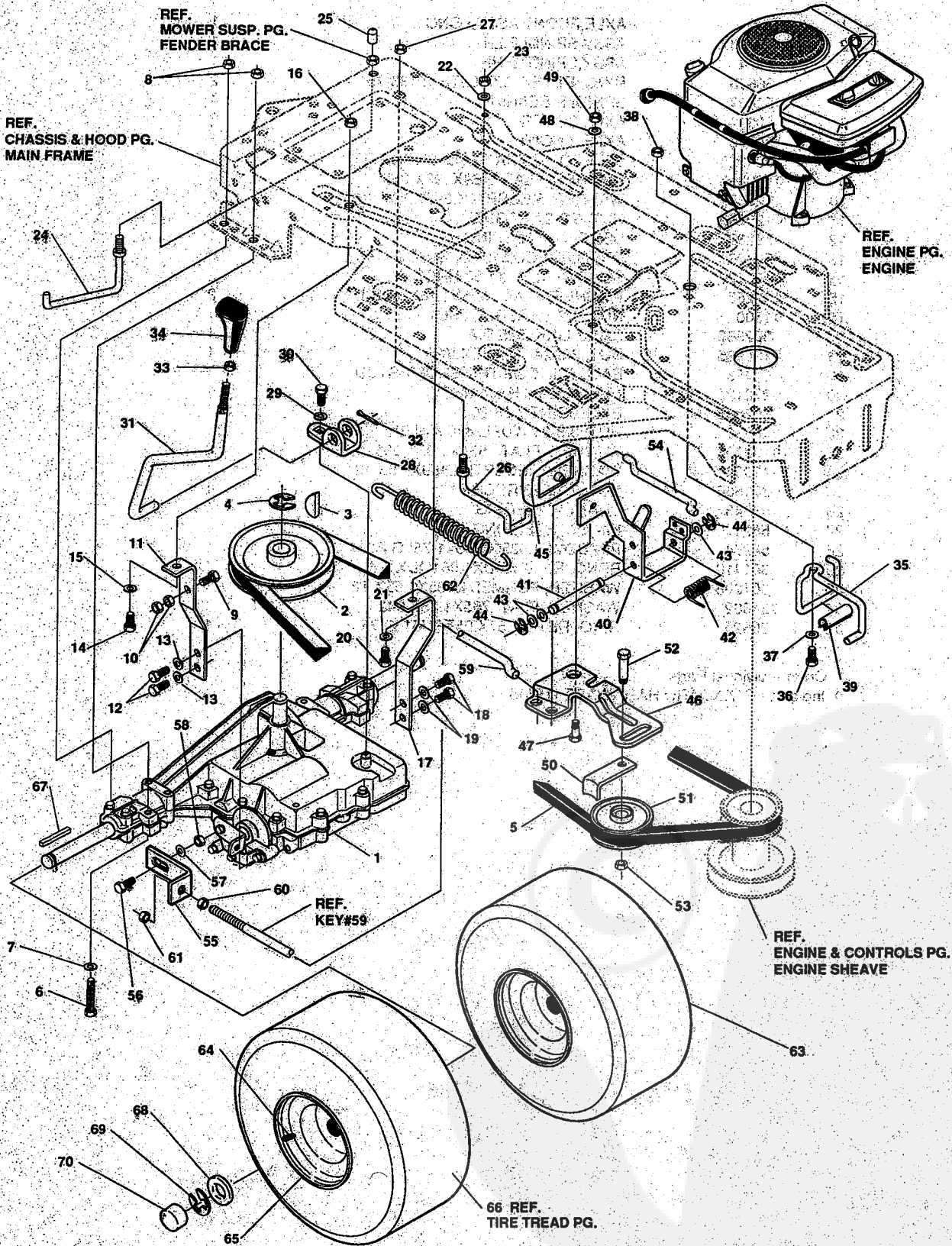
\* Order Individual Parts  
 ◊ Indicates STANDARD HARDWARE ITEMS.



45" LAWN TRACTOR MODEL B3583-230

45" LAWN TRACTOR MODEL B3583-230

MOTION DRIVE ASSEMBLY



**NOTE:** ALWAYS USE ORIGINAL EQUIPMENT PARTS. Use of service/replacement parts other than original equipment parts may void your warranty.

**ALL UNNUMBERED ITEMS ARE INTERCHANGABLE WITH OPPOSITE SIDE**

312333C



45" LAWN TRACTOR MODEL B3583-230

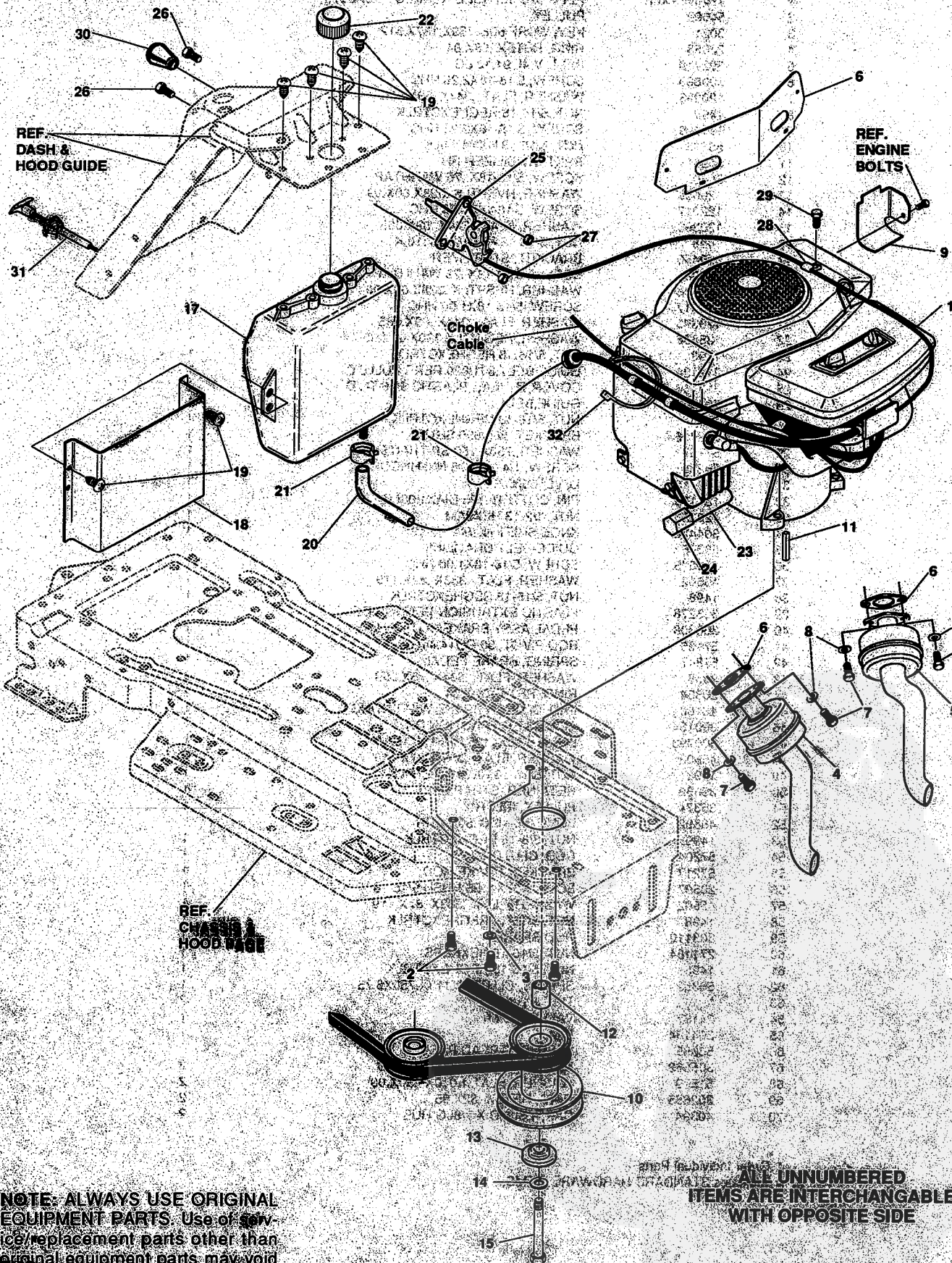
45" LAWN TRACTOR MODEL B3583-230

key#	part#	description	qty.
1	TRANSAXLE	PEER 820-5SP (SEE NEAREST DEALER)	1
2	54692	PULLEY	1
3	3021	KEY, WDRF 606 .750X.187X.312	1
4	22053	RING, RETEX .58X.04	1
5	302719	BELT, V 4L 91.10 LG	1
6	180089	SCREW, 5/16-18X2.25 HHC	4
7	120393	WASHER, FLAT .344X .69X.065	4
8	1498	NUT, 5/16-18 REGHEXCTRLK	4
9	180089	SCREW, 5/16-18X2.25 HHC	1
10	55273	NUT, 5/16-18 HXWDFLLK	2
11	302811	BRKT STABILIZER,RH	1
12	35498	SCREW, 5/16-18X .75 WAHTAP	2
13	120638	WASHER, HVSPTLK .328X.60X.09	2
14	122017	SCREW, 5/16-18X1.00 HHC	1
15	120393	WASHER, FLAT .344X .69X.065	1
16	1498	NUT, 5/16-18 REGHEXCTRLK	1
17	310450	BRACKET, STABILIZER	1
18	35498	SCREW, 5/16-18X .75 WAHTAP	2
19	120638	WASHER, HVSPTLK .328X.60X.09	2
20	122017	SCREW, 5/16-18X1.00 HHC	1
21	120393	WASHER, FLAT .344X .69X.065	1
22	138538	WASHER, REGINTLK.320X.61X.03	1
23	1498	NUT, 5/16-18 REGHEXCTRLK	1
24	312124	GUIDE,BELT,801/820 REAR PULLEY	1
25	313136	COVER,THREAD,PLASTIC 5/16 TH'D	1
26	308609	GUIDE,BELT	1
27	1498	NUT, 5/16-18 REGHEXCTRLK	1
28	302716	BRACKET, 801/820 SHIFT	1
29	57157	WASHER, .750X.250 SP-TRANSAXLE	1
30	56255	SCREW, 1/4-28X .75 NYLHHCGR8	1
31	302718	LEVER,SHIFT	1
32	137185	PIN, COTTER .125 DIA X1.00LG	1
33	120238	NUT, 1/2-13 HEXJAM	1
34	304438	KNOB,SHIFT NOMA 1/2-13	1
35	58356	GUIDE-BELT/DRAGLINK	1
36	180079	SCREW, 5/16-18X1.00 HHC	1
37	45602	WASHER, FLAT .333X .87X.119	1
38	1498	NUT, 5/16-18 REGHEXCTRLK	1
39	303278	PLASTIC EXTRUSION-BELT GUIDE	1
40	300308	PEDAL ASSY,BRAKE/CLUTCH LF	1
41	57196	ROD,PIVOT .50 OD+4.44LG	1
42	57847	SPRING, BRAKE PEDAL	1
43	2968	WASHER, FLAT .504X .75X.059	3
44	20864	RING, RETE .39X.04	2
45	48160	PAD, CLUTCH BRAKE W/PRINTING	1
46	300154	ARM, IDLER TRACTION DR	1
47	800793	BOLT, .625X .135 HHSH 5/16-18	1
48	45602	WASHER, FLAT .333X .87X.119	1
49	1498	NUT, 5/16-18 REGHEXCTRLK	1
50	39659	RETAINER, STRAP BELT	1
51	35374	PULLEY, IDLER	1
52	45892	BOLT, 3/8-16X1.50 CARR	1
53	1499	NUT, 3/8-16 REGHXCTRLK	1
54	57204	ROD, CLUTCH LF	1
55	57217	BRACKET, BRAKE ROD	1
56	20507	BOLT, .437X .156 HHSH 5/16-18	1
57	45602	WASHER, FLAT .333X .87X.119	1
58	1498	NUT, 5/16-18 REGHEXCTRLK	1
59	303110	ROD, BRAKE	1
60	271184	NUT, 5/16-18 HEXKERS	1
61	1498	NUT, 5/16-18 REGHEXCTRLK	1
62	58359	SPRING, CLUTCH .113X.750X8.75	1
63		TIRE & RIM	2
64	24167	VALVE STEM	1
65	304184	RIM	1
66	53655	SEE TIRE TREAD PAGE	
67	305562	KEY, SQUARE .250 SO X2.12 LG	2
68	51579	WASHER, FLAT 1.010X1.50X.09	2
69	302655	RING, RETEX .82X.05	2
70	40394	CAP,T 500ID X 7/8LG HUB	2

Order Individual Parts  
 0 Indicates STANDARD HARDWARE ITEMS  
 WITH OPPOSITE SIDE

NOTE: ALWAYS USE ORIGINAL  
 EQUIPMENT PARTS OR EQUIVALENT  
 EQUIPMENT PARTS OR EQUIVALENT  
 EQUIPMENT PARTS OR EQUIVALENT

ENGINE & CONTROL ASSEMBLY



NOTE: ALWAYS USE ORIGINAL EQUIPMENT PARTS. Use of service/replacement parts other than original equipment parts may void your warranty.

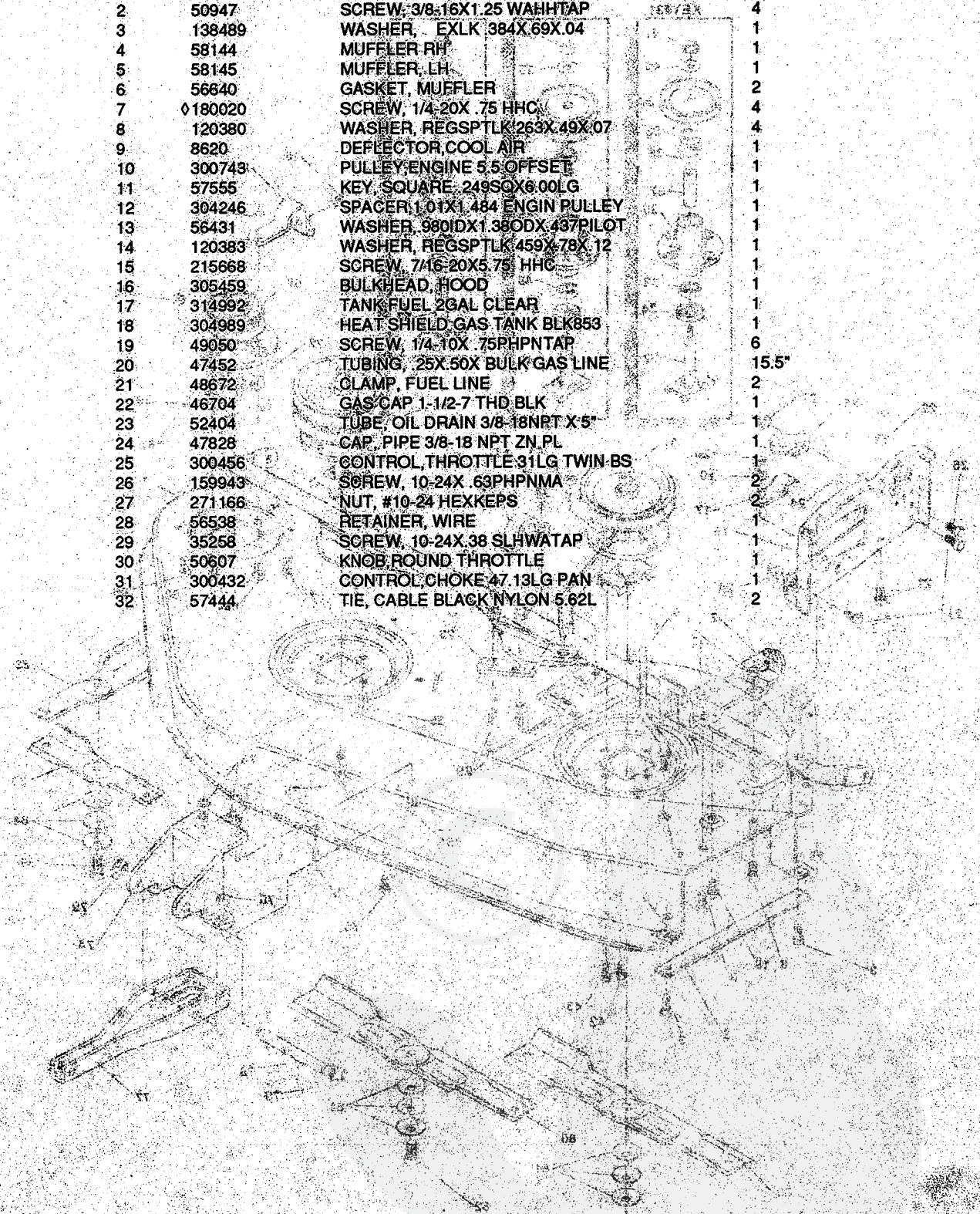
ALL UNNUMBERED ITEMS ARE INTERCHANGABLE WITH OPPOSITE SIDE

317492B

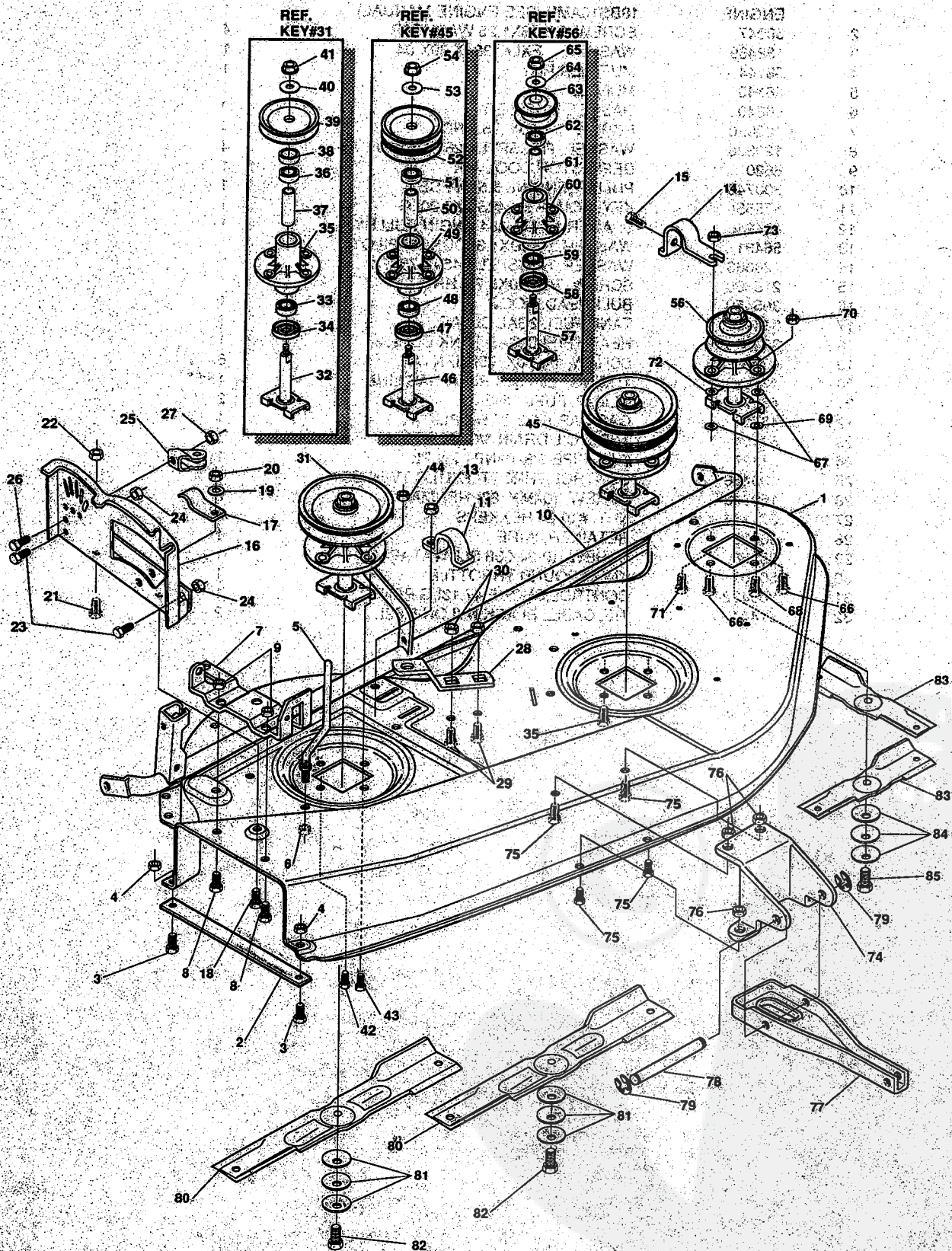
45" LAWN TRACTOR MODEL B3583-230

45" LAWN TRACTOR MODEL B3583-230

key#	part#	description	qty
1	ENGINE	18BS16AMP (SEE ENGINE MANUAL)	1
2	50947	SCREW, 3/8-16X1.25 WAHTAP	4
3	138489	WASHER, EXLK 384X.69X.04	1
4	58144	MUFFLER, RH	1
5	58145	MUFFLER, LH	1
6	56640	GASKET, MUFFLER	2
7	0180020	SCREW, 1/4-20X.75 HHC	4
8	120380	WASHER, REGSPTLK 263X.49X.07	4
9	8620	DEFLECTOR, COOL AIR	1
10	300743	PULLEY, ENGINE 5.5 OFFSET	1
11	57555	KEY, SQUARE, 249SOX6.00LG	1
12	304246	SPACER, 1.01X1.484 ENGIN PULLEY	1
13	56431	WASHER, 980IDX1.38ODX.437PILOT	1
14	120383	WASHER, REGSPTLK 459X.78X.12	1
15	215668	SCREW, 7/16-20X5.75 HHC	1
16	305459	BULKHEAD, HOOD	1
17	314992	TANK, FUEL 2GAL CLEAR	1
18	304989	HEAT SHIELD, GAS TANK BLK853	1
19	49050	SCREW, 1/4-10X.75PHPNTAP	6
20	47452	TUBING, 25X.50X BULK GAS LINE	15.5"
21	48672	CLAMP, FUEL LINE	2
22	46704	GAS CAP, 1-1/2-7 THD BLK	1
23	52404	TUBE, OIL DRAIN 3/8-18NPT X 5"	1
24	47828	CAP, PIPE 3/8-18 NPT ZN PL	1
25	300456	CONTROL, THROTTLE 31LG TWIN BS	1
26	159943	SCREW, 10-24X.63PHNMA	2
27	271166	NUT, #10-24 HEXKEPS	2
28	56538	RETAINER, WIRE	1
29	35258	SCREW, 10-24X.38 SLHWATAP	1
30	50607	KNOB, ROUND THROTTLE	1
31	300432	CONTROL, CHOKE 47 13LG PAN	1
32	57444	TIE, CABLE BLACK NYLON 5.62L	2



PRE-PAINTED DECK ASSEMBLY



**NOTE:** ALWAYS USE ORIGINAL EQUIPMENT PARTS. Use of service/replacement parts other than original equipment parts may void your warranty.

ALL UNNUMBERED ITEMS ARE INTERCHANGABLE WITH OPPOSITE SIDE

305675D

45" LAWN TRACTOR MODEL B3583-230

45" LAWN TRACTOR MODEL B3583-230

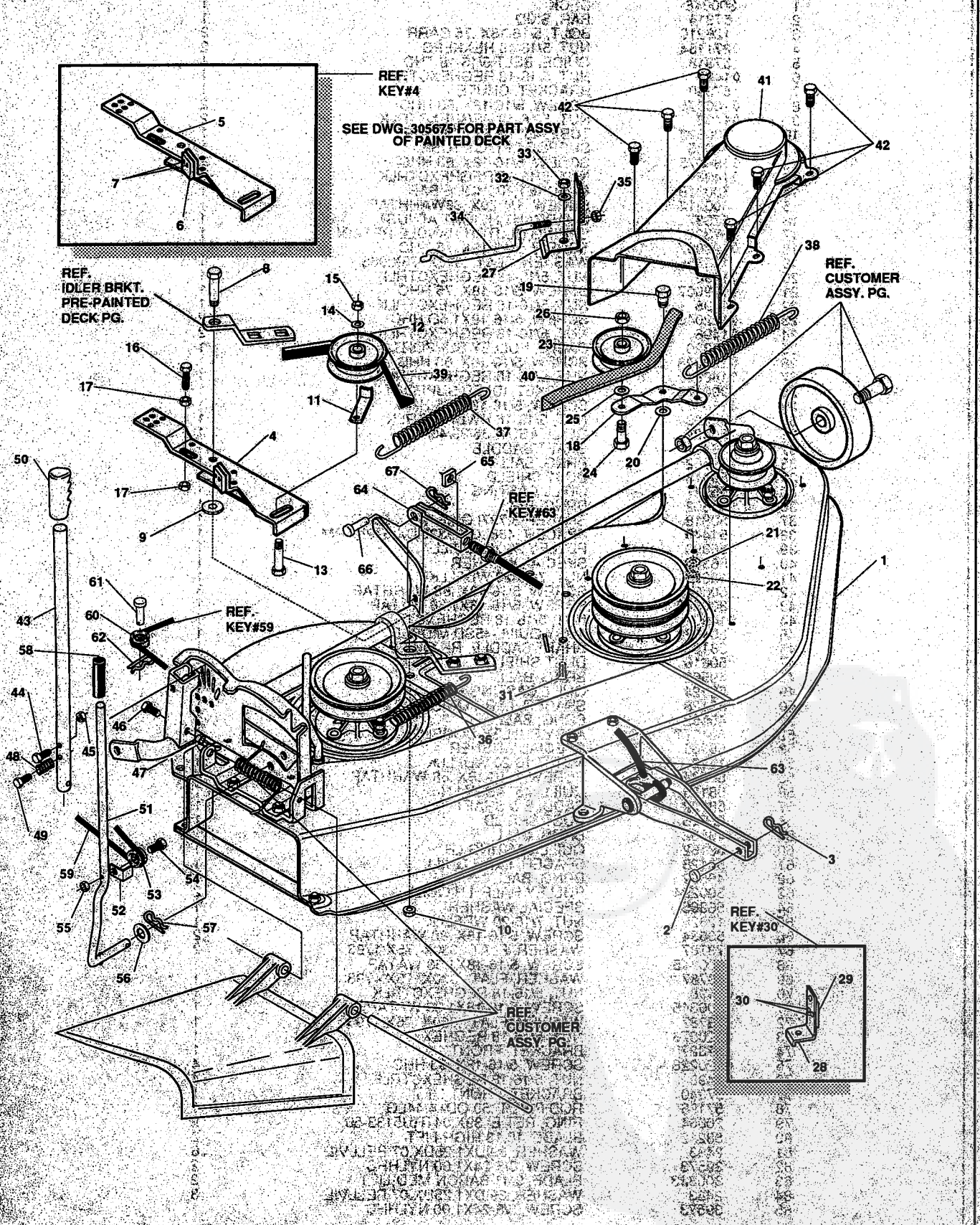
key#	part#	description	quantity
1	300346	DECK	1
2	57314	BAR, SKID	1
3	126216	BOLT, 5/16-18X.75 CARR	2
4	0271184	NUT, 5/16-18 HEXKEPS	2
5	57318	GUIDE, BELT 5/16-18 THD	1
6	01498	NUT, 5/16-18 REGHEXCTRLK	1
7	57360	BRACKET, CHUTE	1
8	0180075	SCREW, 5/16-18X.63 HHC	2
9	01498	NUT, 5/16-18 REGHEXCTRLK	2
10	300322	TUBE, 45" ASSY TORQUE	1
11	51985	SUPPORT, PIVOT TUBE	1
12	0180075	SCREW, 5/16-18X.63 HHC	1
13	01498	NUT, 5/16-18 REGHEXCTRLK	1
14	300318	BRACKET, TORQUE BAR	1
15	300314	SCREW, 1/4-20X.88 WAHHTAP	1
16	57337	QUADRANT, HEIGHT ADJUST	1
17	57321	SPRING, CLUTCH HANDLE RETAIN	1
18	0122007	SCREW, 5/16-18X.75 HHC	1
19	120386	WASHER, FLAT .312X.73X.065	1
20	01498	NUT, 5/16-18 REGHEXCTRLK	1
21	0122007	SCREW, 5/16-18X.75 HHC	1
22	01498	NUT, 5/16-18 REGHEXCTRLK	1
23	0122040	SCREW, 5/16-18X1.50 HHC	2
24	01498	NUT, 5/16-18 REGHEXCTRLK	2
25	49320	CABLE, PULLEY SUPPORT	1
26	0120228	SCREW, 5/16-18X.63 HHC	1
27	01498	NUT, 5/16-18 REGHEXCTRLK	1
28	300179	BRACKET, IDLER SUPPORT	1
29	0180077	SCREW, 5/16-18X.75 HHC	1
30	044108	NUT, 5/16-18 HWDFLC TRLK	1
31	56424	QUILL ASSY, 36/39/40/43	1
32	56425	SHAFT/SADDLE	1
33	49562	BRNG, BALL	1
34	50616	DUST SHIELD	1
35	55547	QUILL CASTING	1
36	49562	BRNG, BALL	1
37	50818	SPACER, 3.797LGX.669IDX.88OD	1
38	51449	SPACER, 4.38LGX.932ODX.672ID-PM	1
39	56390	PULLEY, 26/36 QUILL	1
40	56365	SPECIAL WASHER	1
41	1282	NUT, 7/16-20 WDFLLK	1
42	50634	SCREW, 5/16-18X.88 WAHHTAP	3
43	300345	SCREW, 5/16-18X1.38 WATAP	1
44	01498	NUT, 5/16-18 REGHEXCTRLK	1
45	304076	ASSY, QUILL 45SD MIDDLE	1
46	58165	SHAFT/SADDLE, RH QUILL	1
47	50616	DUST SHIELD	1
48	49562	BRNG, BALL	1
49	58124	QUILL CASTING RH	1
50	58128	SPACER, L&RH QUILL	1
51	49562	BRNG, BALL	1
52	304077	ASSY, PULLEY-DOUBLE	1
53	56365	SPECIAL WASHER	1
54	1282	NUT, 7/16-20 WDFLLK	1
55	50634	SCREW, 5/16-18X.88 WAHHTAP	4
56	58125	QUILL, 45" ASSY LH	1
57	58122	SADDLE & SHAFT	1
58	50616	DUST SHIELD	1
59	49562	BRNG, BALL	1
60	58162	QUILL CASTING LH	1
61	58128	SPACER, L&RH QUILL	1
62	49562	BRNG, BALL	1
63	300294	PULLEY HALF, LH QUILL	2
64	56365	SPECIAL WASHER	1
65	1282	NUT, 7/16-20 WDFLLK	1
66	50634	SCREW, 5/16-18X.88 WAHHTAP	2
67	73787	WASHER, FLAT 330X.75X.1793	2
68	300345	SCREW, 5/16-18X1.38 WATAP	1
69	73787	WASHER, FLAT 330X.75X.1793	1
70	01498	NUT, 5/16-18 REGHEXCTRLK	1
71	300345	SCREW, 5/16-18X1.38 WATAP	1
72	73787	WASHER, FLAT 330X.75X.1793	1
73	0120376	NUT, 5/16-18 REGHEX	1
74	57327	BRACKET, FRONT	1
75	0120228	SCREW, 5/16-18X.63 HHC	4
76	01498	NUT, 5/16-18 REGHEXCTRLK	4
77	57340	BRACKET, FRONT LIFT	1
78	57196	ROD, PIVOT .50 OD+4.44LG	1
79	20864	RING, RET E. 39X.04TRU5133-50	2
80	58212	BLADE, 18.13 HIGH-LIFT	2
81	2483	WASHER, 39IDX1.25DX.07 BELLVIL	6
82	39573	SCREW, 3/8-24X1.00 NYLHHC	2
83	300323	BLADE, 9.41 BARON MED-LIFT	2
84	2483	WASHER, 39IDX1.25DX.07 BELLVIL	3
85	39573	SCREW, 3/8-24X1.00 NYLHHC	3

NOTE: ALWAYS USE ORIGINAL EQUIPMENT PARTS. ALL PARTS ARE INTERCHANGEABLE WITH THE ORIGINAL EQUIPMENT.

5" LAWN TRACTOR MODEL B3583-230

5" LAWN TRACTOR MODEL B3583-230

FINAL DECK ASSEMBLY



NOTE: ALWAYS USE ORIGINAL EQUIPMENT PARTS. Use of service/replacement parts other than original equipment parts may void your warranty.

ALL UNNUMBERED ITEMS ARE INTERCHANGABLE WITH OPPOSITE SIDE

3056501

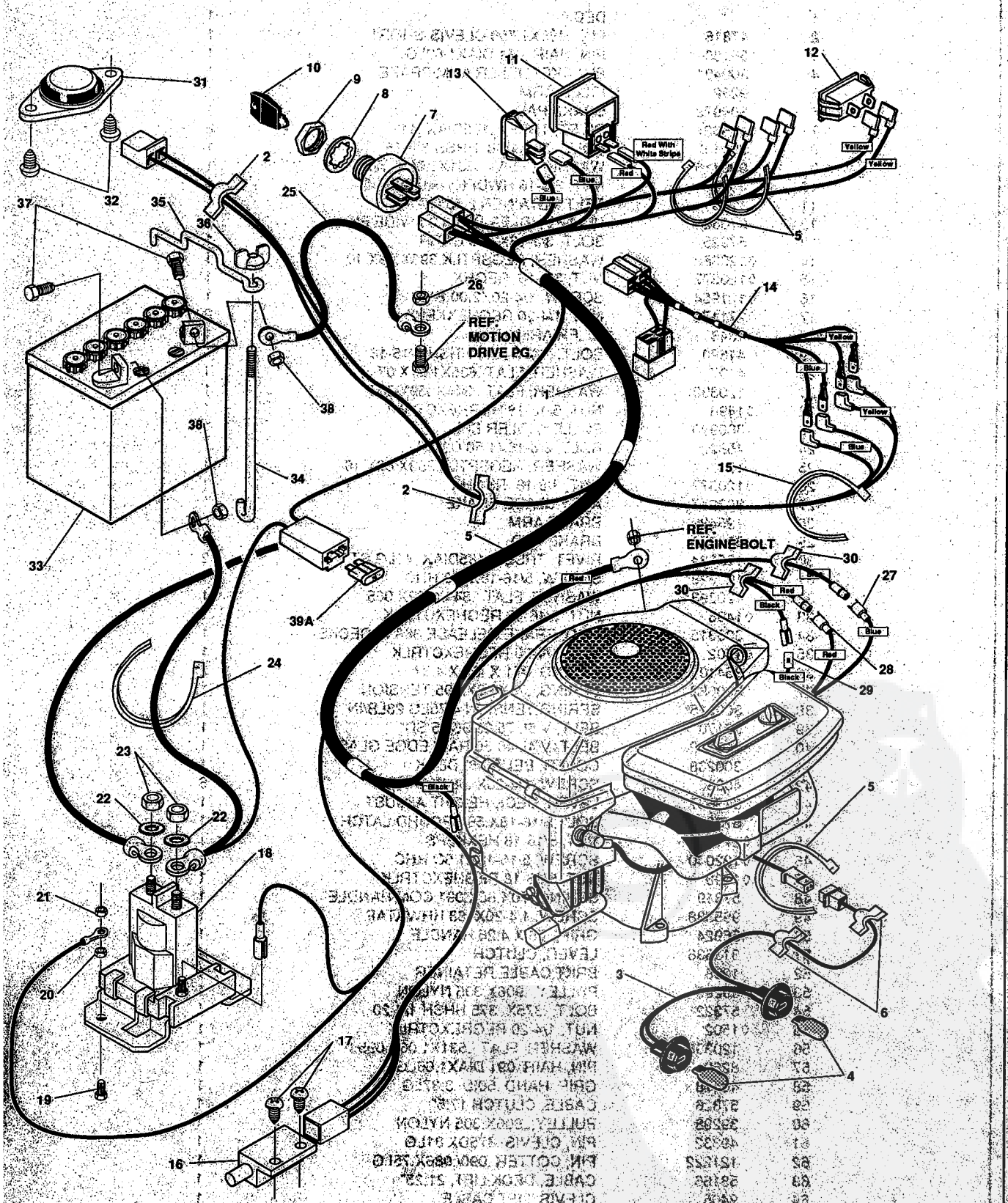
45" LAWN TRACTOR MODEL B3583-230

45" LAWN TRACTOR MODEL B3583-230

key#	part#	description	quantity
1	*	DECK	1
2	47816	PIN, .495X1.750 CLEVIS-SHORT	1
3	56180	PIN, HAIR .091 DIA X 1.62 LG	1
4	300491	BRACKET, IDLER ARM/BRAKE	1
5	9282	IDLER ARM	1
6	306973	BRAKE PAD	1
7	135624	RIVET, TRSET, 185 DIA X .41	2
8	300180	BOLT, 50 X 1.88 HSH 3/8-16	1
9	996416	WASHER, FLAT .391 X 1.00 X .125	1
10	45171	NUT, 3/8-16 HWDFL WHIZ LOCK	1
11	1346	BELT RETAINER 2.55 OD	1
12	310326	PULLEY, IDLER BFF 4.00 WIDE FL	1
13	57325	BOLT, 3/8-16 X 2.00 CARR	1
14	0120382	WASHER, REGSPTLK 393 X .68 X .10	1
15	0120377	NUT, 3/8-16 REGHX	1
16	0121954	SCREW, 1/4-20 X 2.00 HHQ	1
17	0271172	NUT, 1/4-20 REGHEXKEPS	2
18	1343	IDLER ARM	1
19	41890	BOLT, 625 X .218 HSH 5/16-18	1
20	4107	WASHER, FLAT .635 X 1.31 X .07	1
21	120393	WASHER, FLAT .344 X .69 X .065	1
22	01498	NUT, 5/16-18 REGHEXCTRLK	1
23	300920	PULLEY, IDLER BFF	1
24	45892	BOLT, 3/8-16 X 1.50 CARR	1
25	0120382	WASHER, REGSPTLK 393 X .68 X .10	1
26	0120377	NUT, 3/8-16 REGHX	1
27	303247	ASSY, BLADE BRAKE	1
28	12542	BRAKE ARM	1
29	306973	BRAKE PAD	1
30	135624	RIVET, TRSET, 185 DIA X .41 LG ST	2
31	0120228	SCREW, 5/16-18 X .63 HHC	1
32	120393	WASHER, FLAT .344 X .69 X .065	1
33	01498	NUT, 5/16-18 REGHEXCTRLK	1
34	300315	ROD, BRAKE RELEASE 36 & 45 DECKS	1
35	01502	NUT, 1/4-20 REGHEXCTRLK	1
36	35410	SPRING, .071 X .62 X 4.37	1
37	300683	SPRING, 75 X 6.3 X .05 TENSION	1
38	300215	SPRING, TENSION 4.75 LG 28 LB/IN	1
39	58170	BELT, V 5L 75.25/36/45 SD*	1
40	300142	BELT, V 4L 40.50 RAW EDGE GLAS	1
41	300238	COVER, BELT 45" DECK	1
42	40886	SCREW, 1/4-20 X .38 WAHTAP	6
43	313637	LEVER, DECK HEIGHT ADJUST	1
44	57324	BOLT, 5/16-18 X .56 SPCUHD LATCH	1
45	0271184	NUT, 5/16-18 HEXKEPS	1
46	0122040	SCREW, 5/16-18 X 1.50 HHC	1
47	01498	NUT, 5/16-18 REGHEXCTRLK	1
48	57319	SPRING, 70 X 85 X .091 COM HANDLE	1
49	995338	SCREW, 1/4-20 X .63 HHWATAP	1
50	56924	GRIP, 75 X 4.25 HANDLE	1
51	313636	LEVER, CLUTCH	1
52	1288	BRKT, CABLE RETAINER	1
53	39298	PULLEY, 906 X 305 NYLON	1
54	57322	BOLT, 3/75 X .375 HSH 1/4-20	1
55	01502	NUT, 1/4-20 REGHEXCTRLK	1
56	120396	WASHER, FLAT .531 X 1.06 X .095	1
57	8260	PIN, HAIR .091 DIA X 1.66 LG	1
58	46478	GRIP, HAND 50 ID 3.37 LG	1
59	57326	CABLE, CLUTCH 17.5"	1
60	39298	PULLEY, 906 X 305 NYLON	1
61	49332	PIN, CLEVIS 3/75 DX 81 LG	1
62	121222	PIN, COTTER .090/086 X 75 LG	1
63	58166	CABLE, DECK LIFT 21.25"	1
64	9405	CLEVIS, LIFT CABLE	1
65	0120372	NUT, 1/4-20 REGSO	1
66	39522	PIN, CLEVIS 312 X .812	1
67	56180	PIN, HAIR .091 DIA X 1.62 LG	1

\* ORDER INDIVIDUAL PARTS  
 O STANDARD HARDWARE ITEMS

ELECTRICAL ASSEMBLY



ALL UNNUMBERED  
ITEMS ARE INTERCHANGABLE  
WITH OPPOSITE SIDE

NOTE: ALWAYS USE ORIGINAL EQUIPMENT PARTS.  
Use of service/replacement parts other than original equipment parts may void your warranty.

318258A



45" LAWN TRACTOR MODEL B3583-230

TOP-68068 13-10-1987

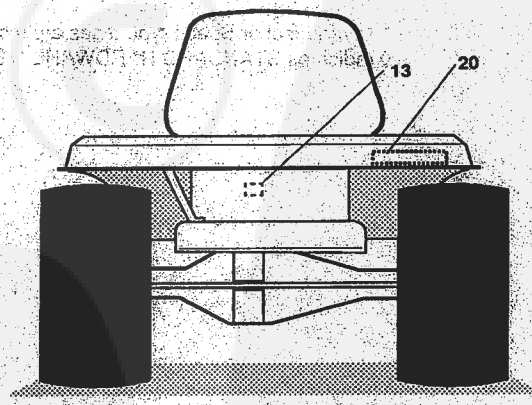
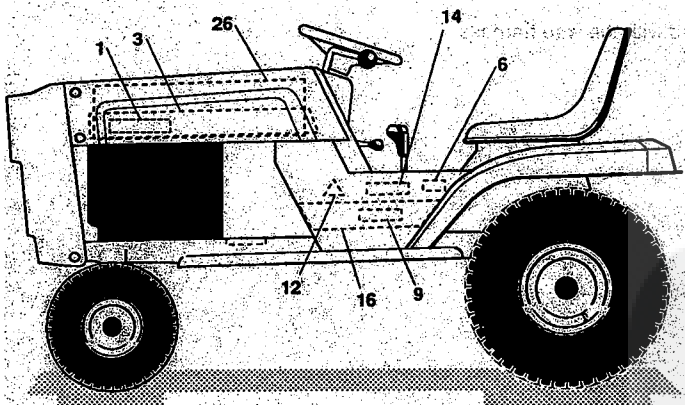
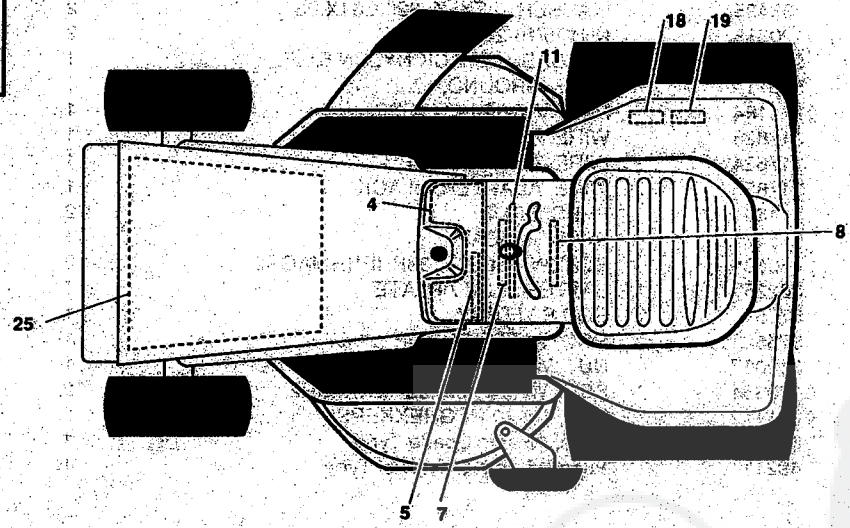
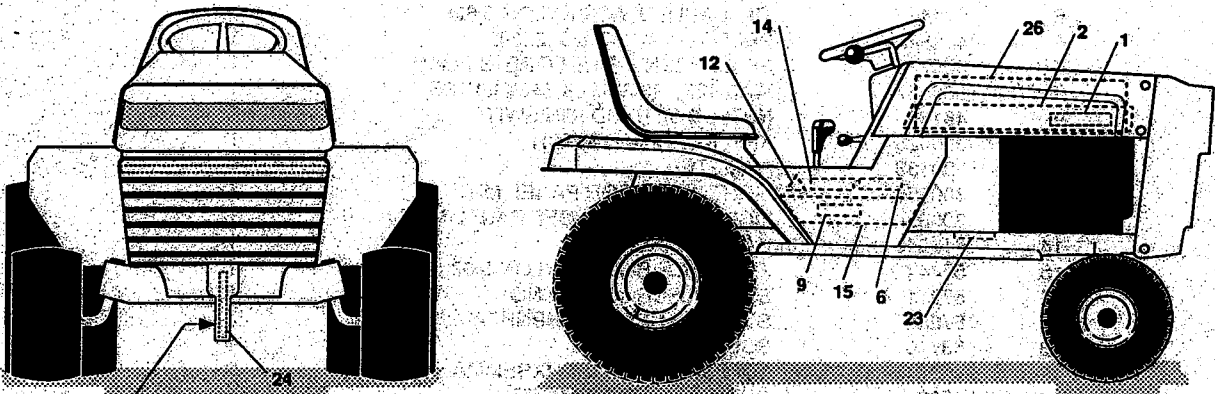
key#	part#	description	qty.
1	312398	WIRE, HARNES 14-16BSVAN WRAPPED	1
2	41482	PRESS CLIP, 1.380LG .255ID	2
3	303064	ASSY, LIGHT WIRE-1/4 TURN	1
4	52572	BULB, HEADLAMP	2
5	57444	TIE, CABLE BLACK NYLON 5.62L	4
6	41482	PRESS CLIP, 1.380LG .255ID	2
7	305720	SWITCH-IGN.(AFTER FIRE) 3 POSN.	1
8	138557	WASHER, REGINTLK.640X1.1X.05	1
9	48140	NUT, 5/8-32 HXHD IGN SWIT	1
10	300626	KEY, IGNITION SWITCH	1
11	300133	AMMETER	1
12	300255	LIGHT INDICATOR PANEL MNT	1
13	300334	LIGHT SWITCH ON/OFF PANEL MNT	1
14	318245	HARNES ADAPTER	1
15	57444	TIE, CABLE BLACK NYLON 5.62L	1
16	57211	SWITCH, SCR MNT SP NO	1
17	◇57220	SCREW, #12 X .50 PHPNHTAP	2
18	53716	SOLENOID	1
19	◇187745	SCREW, 1/4-20X .75 HXSEMMA	2
20	◇1502	NUT, 1/4-20 REGHEXCTRLK	2
21	◇271172	NUT, 1/4-20 REGHEXKEPS	1
22	138485	WASHER, EXLK.320X.61X.03	2
23	◇120368	NUT, 5/16-24 REGHEX	2
24	57444	TIE, CABLE BLACK NYLON 5.62L	1
25	55511	WIRE, GROUND, 12.5"	1
26	◇271184	NUT, 5/16-18 HEXKEPS	1
27	317623	WIRE, ADAPTER, BLUE	1
28	317624	WIRE, ADAPTER, RED	1
29	317625	WIRE, ADAPTER, BLACK	1
30	41482	PRESS. CLIP	2
31	57547	SWITCH, SEAT	1
32	◇160505	SCREW, 1/4-20X .38PHPNHMAGR2	2
33	302257	BATTERY, 12V 7 PLATE	1
34	57551	ROD, BATTERY	1
35	57552	ROD, BATTERY, TOP	1
36	310067	NUT, WING 1/4-20 SMALL PLASTIC	1
37	◇120854	SCREW, 1/4-20X .63 HHC GR2	2
38	◇271172	NUT, 1/4-20 REGHEXKEPS	2
39A	** 302031	Fuse, 15 amp Spade Type	1
39B	** 49211	Fuse, 15 amp Cylindrical Type	1

\*\*Cylindrical or Spade type fuses are included with the wire harness.  
 ◇ Indicates STANDARD HARDWARE ITEMS.

5" LAWN TRACTOR MODEL B3583-230

317629A JIGOM NOIDARI XWA I 29

LEGALS



**NOTE: ALWAYS USE ORIGINAL EQUIPMENT PARTS.**  
Use of service/replacement parts other than original equipment parts may void your warranty.

**ALL UNNUMBERED ITEMS ARE INTERCHANGABLE WITH OPPOSITE SIDE**

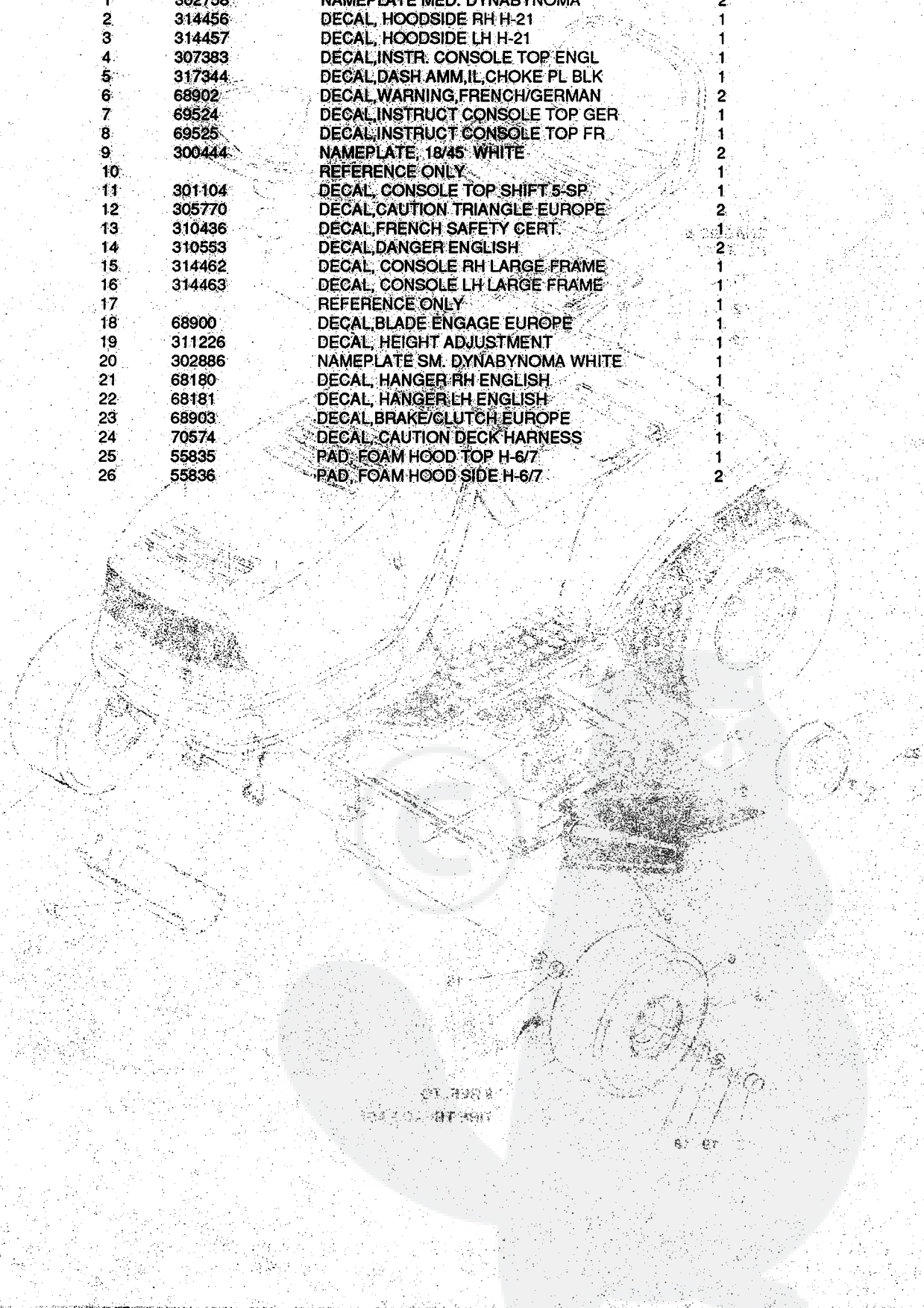
317629A

Part No. 318240

45" LAWN TRACTOR MODEL B3583-230

REVERSE SIDE OF PART (MAY BE)

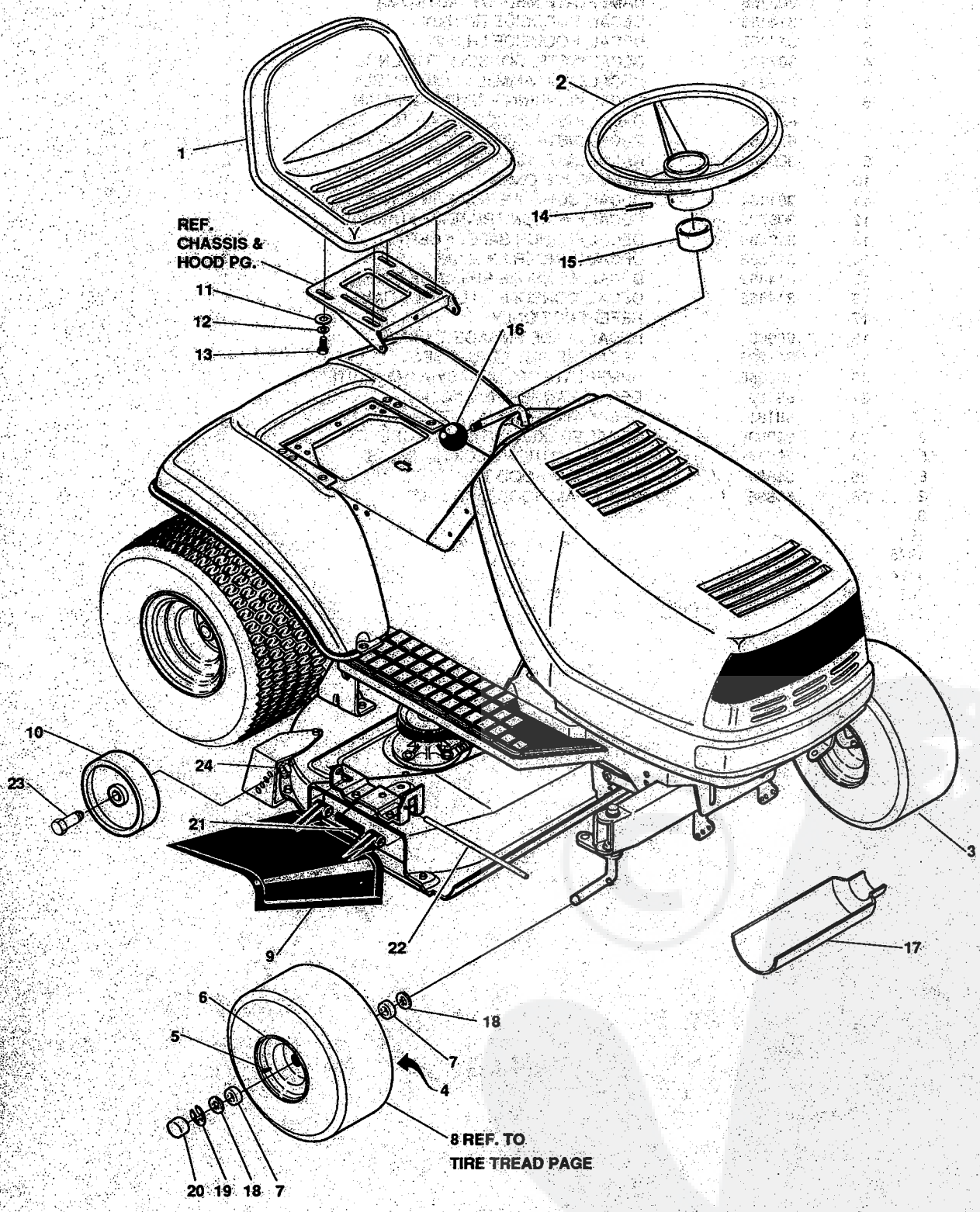
key#	part#	description	qty.
1	302758	NAMEPLATE MED. DYNABYNOMA	2
2	314456	DECAL, HOODSIDE RH H-21	1
3	314457	DECAL, HOODSIDE LH H-21	1
4	307383	DECAL, INSTR. CONSOLE TOP ENGL	1
5	317344	DECAL, DASH AMM, IL, CHOKE PL BLK	1
6	68902	DECAL, WARNING, FRENCH/GERMAN	2
7	69524	DECAL, INSTRUCT CONSOLE TOP GER	1
8	69525	DECAL, INSTRUCT CONSOLE TOP FR	1
9	300444	NAMEPLATE, 18/45 WHITE	2
10		REFERENCE ONLY	1
11	301104	DECAL, CONSOLE TOP SHIFT 5-SP	1
12	305770	DECAL, CAUTION TRIANGLE EUROPE	2
13	310436	DECAL, FRENCH SAFETY CERT.	1
14	310553	DECAL, DANGER ENGLISH	2
15	314462	DECAL, CONSOLE RH LARGE FRAME	1
16	314463	DECAL, CONSOLE LH LARGE FRAME	1
17		REFERENCE ONLY	1
18	68900	DECAL, BLADE ENGAGE EUROPE	1
19	311226	DECAL, HEIGHT ADJUSTMENT	1
20	302886	NAMEPLATE SM. DYNABYNOMA WHITE	1
21	68180	DECAL, HANGER RH ENGLISH	1
22	68181	DECAL, HANGER LH ENGLISH	1
23	68903	DECAL, BRAKE/CLUTCH EUROPE	1
24	70574	DECAL, CAUTION DECK HARNESS	1
25	55835	PAD, FOAM HOOD TOP H-6/7	1
26	55836	PAD, FOAM HOOD SIDE H-6/7	2



45" LAWN TRACTOR MODEL B3583-230

005-21254-10101A (REV. 11/11)

CUSTOMER ASSEMBLY



317998B

Part No. 318240

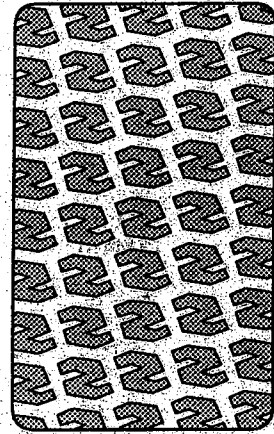
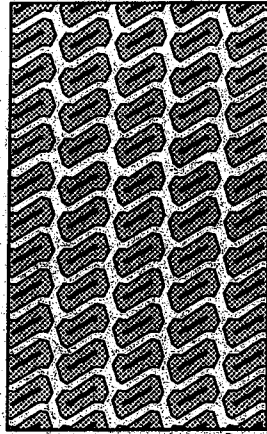
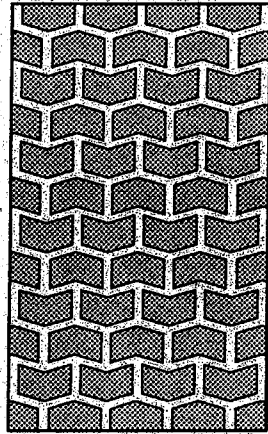
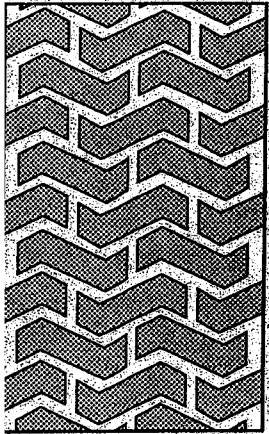
**CUSTOMER ASSEMBLY VIEW**

317491 PARTS BAG ASSY QTY1

key#	part#	decription	qty
1	57454	SEAT MV450	1
2	301251	STEERING WHEEL 13"	1
3	*	TIRE & RIM ASSY. PU16X6.5X8 TURF	2
4	706	GREASE ZERK	1
5	24167	VALVE STEM	1
6	49401	HUB, WHEEL	1
7	314416	BEARING FL1.38OD+ .753ID	1
8		REFER TO TIRE TREAD PAGE	
9	57818	CHUTE	1
10	52584	WHEEL, SD 6.0OD X 1.38WD	2
11	120393	WASHER, FLAT .344X.69X.065	4
12	120638	WASHER, HVSPTLK .328X.60X.09	4
13	122007	SCREW, 5/16-18X.75 HHC	4
14	456378	PIN, SPRING .250DIA X 2.00LG	1
15	57212	COVER, STEERING SHAFT	1
16	55514	KNOB, SHIFT	1
17	54873	OIL TROUGH	1
18	642	WASHER, FLAT .755X1.31X0.075	4
19	36625	RING, RETEX	2
20	40394	CAP, HUB	2
21	314975	TORSION SPRING	1
22	304424	ROD, PIVOT	1
23	23763	BOLT, .500X1.390 HSSH 3/8-16	2
24	1499	NUT, 3/8-16 REGHXCTRLK	2

\* ORDER INDIVIDUAL PARTS

# TREAD PATTERNS



**TIRE SIZE**

**"A"**

**"B"**

**"C"**

**"D"**

11 X 4.00 - 5	42295			
13 X 5.00 - 6	41060			
15 X 6.00 - 6	301140	316702	39830	313952
16 X 6.50 - 8		41081		314539
18 X 6.50 - 8				
18 X 9.50 - 8		316701		313950
20 X 8.00 - 8	314584			
20 X 10.00 - 8	58276			313565
20 X 10.00 - 10		55893		
23 X 9.50 - 12	314370			
23 X 9.50 - 12		53655		

## ACCESSORIES

Contact the dealer where your tractor was purchased for the available accessories. If you are unable to contact the dealer, write to the address on the front cover of this manual.

### Rear Engine Rider

Model	Description
5708-16	Bagger - Fits 32" Side Discharge
5708-17	Bagger - Fits 36" Side Discharge
5709-02	Front Weight Box - holds 35 lbs.
5648-16	Lawn Sweeper w/dump Release

### Lawn Tractor

Model	Description
5708-22	Bagger - Fits 30" Side Discharge
5708-13	Bagger - Fits 36", 38", 39" & 45" Side Discharge
5705-04	36" Two-Stage Snowblower - Fits 36", 38", 39", & 45" Side Discharge
5661-06	42" Snowblade - Fits 36", 38", 39", & 45"
5592-00	Tire Chains - 18" x 6.50"
5585-00	Tire Chains - 18" x 9.50" & 20" x 8"
5672-01	Wheel Weights - Front - 1 pr. w/mtg. hdw. - Fits 15" tires
5673-02	Wheel Weights - Rear - 1 pr. w/mtg. hdw. - Fits 18" & 20" tires
5709-03	Front Weights - Fits 30" & 32" Side Discharge
5648-16	Lawn Sweeper w/dump Release

### Garden Tractor - Light Ground Engaging

Model	Description
5708-13	Bagger - Fits 36", 38", 39", & 45" Side Discharge
5705-04	36" Two-Stage Snowblower - Fits 36", 38", 39", & 45"
5661-06	42" Snowblade - Fits 36", 38", 39", & 45"
5672-01	Wheel Weights - Front 1 pr. w/mtg. hdw. - Fits 15" tires
5673-02	Wheel Weights - Rear - 1 pr. w/mtg. hdw. - Fits 18" & 20" tires
5648-16	Lawn Sweeper w/dump Release
5667-02	Sleeve Hitch - w/lift bar - Fits 45"
5668-01	Adaptor (sleeve hitch) for use w/23" tires
5706-00	Tire Chains - 20" x 10"
5671-00	Tire Chains - 23" x 9.50"
5672-02	Wheel Weights - Front - 1 pr. w/mtg. hdw. Fits 16" tires
5673-00	Wheel Weights - Rear - 1 pr. w/mtg. hdw. Fits 23" tires
5674-01*	10" One Bottom Moldboard Plow
5675-01*	Cultivator - 7 row - Adj. 6" - 42" width
5676-01*	Disc Harrow - 8" & 11" disc - Adj. width & disc angle
5677-02*	Tiller - 5 H.P. Self-Powered - 28" width

### Four Wheel Steer

Model	Description
5708-14	Bagger - Fits 40" & 46" Side Discharge
5705-05	42" One-Stage Snowblower - Fits 40" & 46"
5661-07	48" Snowblade - Fits 40" & 46"
5709-04	Rear Weight Box for 40" & 46"
5648-16	Lawn Sweeper w/dump Release
5706-00	Tire Chains - 20" x 10"
5671-00	Tire Chains - 23" x 9.50"
5672-02	Wheel Weights - Front - 1 pr. w/mtg. hdw. Fits 16" tires
5673-00	Wheel Weights - Rear - 1 pr. w/mtg. hdw. Fits 23" tires
5672-01	Wheel Weights - Front - 1 pr. w/mtg. hdw. Fits 15" tires
5673-02	Wheel Weights - Rear - 1 pr. w/mtg. hdw. Fits 18" & 20" tires

### Four Wheel Steer Garden Tractor

Model	Description
5667-04	Sleeve Hitch - w/lift bar Fits 46"
5674-01*	10" One Bottom Moldboard Plow
5675-01*	Cultivator - 7 row - Adj. 6" - 42" width
5676-01*	Disc Harrow 8" & 11" Disc. Adj. width & disc angle
5677-02*	Tiller 5 H.P. Self-Powered - 28" width
5648-16	Lawn Sweeper w/dump Release

\*Requires a sleeve hitch