

REPAIR PARTS MANUAL

30" - 8 H.P. RIDING MOWER

MODEL B3594-130

TWO YEAR LIMITED WARRANTY

For two (2) years from date of purchase by the first consumer for residential use (thirty (30) days commercial use), NOMA Outdoor Products Incorporated warrants that it will replace free of charge, including labor, any original part of any NOMA Outdoor Products Incorporated product found to be defective by any authorized Service Dealer or the factory, except the battery which is warranted for ninety (90) days from date of purchase.

This warranty does not cover engine, transmission, transaxle or differential (these items are covered by their manufacturer's own warranty). This warranty does not cover parts that have failed due to normal wear or parts that have failed subject to misuse or abuse. Transportation of the unit or part to and from an authorized Service Dealer or factory is the responsibility of the owner.

A step by step explanation as to what procedure should be followed for this warranty is:

1. If a part becomes defective, contact the store where the unit was purchased for the name and address of the authorized Service Dealer nearest to you.
2. If you cannot locate an authorized Service Dealer, write Service Department of NOMA Outdoor Products Incorporated for the name and address of the authorized Service Dealer in your area or call the Service Department at 1-901-422-1690.
3. Return the defective product, along with proof of purchase to such authorized Service Dealer for replacement of any defective part where covered by this warranty.

There is no other express warranty. Implied warranties, including those of merchantability and fitness for a particular purpose are limited to two (2) years from date of purchase. Liability for incidental or consequential damages are excluded.

Some states do not allow limitations on how long an implied warranty lasts, so the above limitation may not apply to you. Some states do not allow the exclusion of incidental or consequential damages, so the above exclusion may not apply to you. This warranty gives you specific legal rights, and you may have other rights which vary from state to state.

NOMA Outdoor Products Incorporated

Caller 8000

Jackson, TN 38308-8000

UNIT PARTS AND SERVICE

This manual contains instructions for safety, assembly and maintenance. Read this manual carefully and completely so that you will know proper assembly, use and care of your unit. Also fill in and mail the registration card packed with the unit. For service other than covered in this manual, contact an authorized service dealer. A nationwide parts and service organization has been established to provide locally available parts and service. A list of authorized parts distributors has been included in this manual. When ordering repair parts, always give the following information: 1. The Part Name; 2. The Part Number; 3. The Quantity desired; 4. The Full (eight digit) Model Number of the unit. The model number will be found on a plate attached to the unit.



Look for this symbol. It means - ATTENTION! BECOME ALERT! A HAZARD TO OPERATOR, BYSTANDER, PROPERTY OR EQUIPMENT MAY EXIST.

NOMA Outdoor Products Incorporated
Caller 8000

Jackson, TN 38308-8000

Part No. 318051

5290



OPERATIONAL PRECAUTIONS



THESE INSTRUCTIONS ARE FOR YOUR PROTECTION. PLEASE READ THEM CAREFULLY.

1. Know the controls and how to stop quickly. READ THIS OPERATOR'S MANUAL and instructions furnished with attachments.
2. Wear safety glasses or eye shields when assembling or operating riding mower.
3. Do not allow children to operate the machine. Do not allow adults to operate it without proper instruction.
4. Do not carry passengers. Do not mow when children and others are around. Disengage power to blade(s) or attachment(s) and stop the engine while others are in the vicinity of the mower.
5. Battery fluid (electrolyte) is an ACID and is extremely dangerous. Do not smoke while servicing the battery. Do not service the battery near a open flame or spark.
6. Handle gasoline with care. It is highly flammable.
 - A. Use approved gasoline container.
 - B. Never remove the fuel cap of, or add gasoline to, a running or hot engine, or an engine that has not been allowed to cool for several minutes after running. Never fill the tank indoors and always clean up spilled fuel immediately.
 - C. Do not smoke while filling fuel tank.
 - D. Do not run the engine indoors. Open doors if engine must be run in garage. Exhaust fumes contain CARBON MONOXIDE, an ODORLESS and DEADLY GAS.
7. Check fuel supply before each use allowing space for expansion as the heat of the engine and/ or sun can cause gasoline to expand.
8. Do not operate mower when barefooted. Always wear substantial footwear, preferably steel-toed shoes. Do not wear loose fitting clothing that could get caught in moving parts.
9. Clear the work area of objects (wire, rocks, etc.) which might be picked up and thrown. Check all controls for proper function.
10. Disengage all attachment clutches, shift to neutral, and set parking brake before attempting to start the engine (motor). When starting engine equipped with a pull starter, stand firm and make sure your feet are well away from the blade(s).
11. Disengage power to blade(s) or other attachment(s) and stop the engine (motor) before leaving the operator's position. Always dismount from the left side.
12. Disengage power to blade(s) or other attachment(s) and stop the engine (motor) before making any repairs or adjustments.
13. Disengage power to blade(s) or other attachment(s) when transporting or not in use.
14. Take all possible precautions when leaving the vehicle unattended, such as disengaging power to blade(s) or attachment(s), lower the attachment(s), setting the parking brake, stopping the engine (motor), and removing the key.
15. Do not stop or start suddenly when going uphill or downhill. Mow up and down the face of steep slopes; never across the face.
16. Reduce speed and exercise extreme caution on slopes and in sharp turns to prevent tipping or loss of control. Be especially cautious when changing direction on slopes.
17. Stay alert for holes, rocks, and roots in the terrain and other hidden hazards. Keep away from drop-off. Never operate your riding mower on wet or slippery grass or at a speed which could cause a skid. Exercise care when mowing around a fixed object to prevent the blade(s) from striking it. Never deliberately run over any foreign object.
18. Always disengage blade control lever before attempting to remove the mower from a hole or other obstruction.
19. Use care when pulling loads or using heavy equipment.
 - A. Use only approved drawbar hitch points.
 - B. Limit loads to those that you can safely control.
 - C. Do not turn sharply. Use care when backing.
 - D. Use counterweight(s), wheel weights or tire chains when suggested in attachment(s) instructions.
20. Watch for traffic when crossing or near roadways.
21. When using attachment(s), never direct discharge of material toward bystanders nor allow anyone near the vehicle while in operation.
22. Keep the vehicle and attachments in good operating condition, and keep safety devices in place and in working condition.
23. Keep all nuts, bolts, and screws tight to be sure the equipment is in safe working condition.
24. Never store the equipment with gasoline in the tank inside a building where fumes may reach an open flame or spark. Allow the engine to cool before storing in any enclosure.
25. To reduce fire hazard, keep the engine free of grass, leaves or excessive grease.
26. The vehicle and attachments should be stopped and inspected for damage after striking a foreign object, and the damage should be repaired before restarting and operating the equipment.
27. Do not change the engine governor settings or over-speed engine.
28. When using the vehicle with mower, proceed as follows:
 - A. Mow only in daylight or in good artificial light.
 - B. Never make a cutting height adjustment while the engine (motor) is running. If the operator must dismount to do so.
 - C. Shut the engine (motor) off when removing the grass catcher or unclogging chute.
 - D. Check the blade mounting bolts for proper tightness at frequent intervals.
29. (If so equipped) Under normal usage, the grass catcher bag material is subject to deterioration and wear. Check the bag frequently for deterioration and wear and replace worn bags. Check that replacement bags comply with the original manufacturer's recommendations or specifications.
30. Disengage power to mower before backing up. Do not mow in reverse unless absolutely necessary and then only after careful observation of the entire area behind the mower.

OWNER'S INFORMATION

Record the following information about your unit so that you will be able to provide it in case of loss or theft.

MODEL NUMBER: - (Enter complete 8 digit number from model plate on unit)
PURCHASE DATE: ___ / ___ / ___ CODE NO.: _____ SERIAL NO.: _____
DEALER'S NAME AND ADDRESS: _____
CITY: _____ STATE: _____ TELEPHONE: _____

CONTENTS OF SHIPPING CARTON

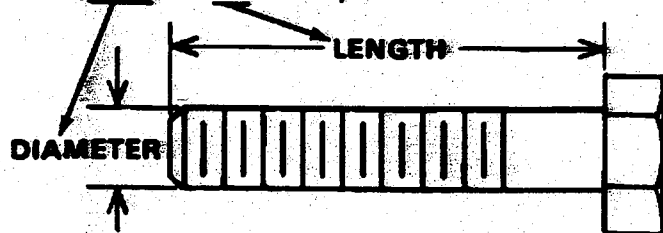
- 1 - Riding Mower with 30 inch Mower Deck
- 1 - Operator's Manual
- 1 - Repair Parts Manual
- 1 - Engine Manual
- 1 - Steering Wheel (see Note)
- 1 - Seat (see Note)
- 1 - Shift Knob (see Note)
- 1 - Bag of Assembly Parts Containing (see Note):
 - 4 - 5/16 x 3/4 inch Hex Head Screws
 - 4 - 5/16 inch Split Lockwashers
 - 4 - 11/32 inch Flatwashers
- 1 - Steering Tube
- 1 - Decorative Tube
- 1 - Flatwasher
- 1 - Cotter Pin
- 1 - Spring Pin
- 1 - Spring Pin

NOTE: Refer to page 24 (Customer Assembly Parts) for more detailed description.

TOOLS REQUIRED FOR ASSEMBLY

- 2 - 7/16 inch Wrenches (or adjustable wrench)
- 1 - 1/2 inch Wrench (or adjustable wrench)
- 1 - Small Phillips Screwdriver with a 1/4 inch shank
- 1 - Hammer

HOW TO MEASURE SCREW SIZE (5/16 x 1 1/2 INCH)



DANGER



This riding mower can be dangerous if carelessly used.

Read your Operator's Manual thoroughly before operating your riding mower.

Always wear safety glasses or eye shields while assembling or operating your riding mower.

DO NOT carry passengers at any time.

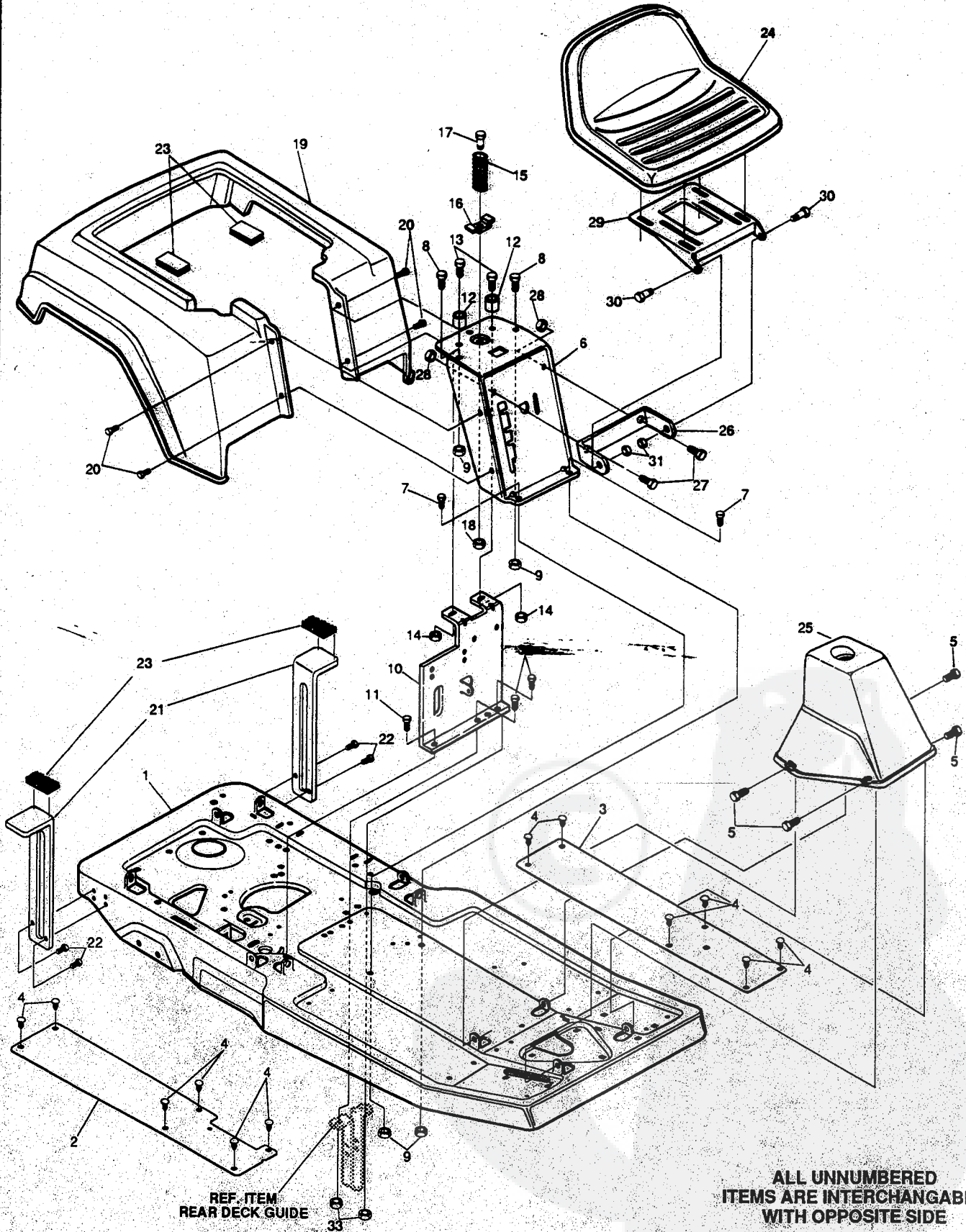
Keep your hands, feet, hair and loose clothing away from the discharge area, the underside of the mower deck or any moving parts while the engine is running.

DO NOT allow children or young teenagers to operate or be near your riding mower while it is operating.

ALWAYS GIVE THE FOLLOWING INFORMATION WHEN ORDERING REPAIR PARTS:
1. The PART NUMBER; 2. The PART NAME; 3. QUANTITY DESIRED; 4. The MODEL NUMBER (As shown on Model Plate).
SEND PART ORDERS AS PER INSTRUCTIONS ON THE FRONT PAGE.
DO NOT USE KEY NUMBERS WHEN ORDERING REPAIR PARTS, ALWAYS USE PART NUMBERS.
All replacement parts will be supplied in current production colors or in a neutral color.
A handling fee is applicable to small parts orders.
YOUR UNIT IS RIGHT HAND (RH) OR LEFT HAND (LH) AS YOUR STAND BEHIND IT.

30" RIDING MOWER MODEL B3594-130

BODY GROUP ASSEMBLY



NOTE: ALWAYS USE ORIGINAL EQUIPMENT PARTS.
Use of service/replacement parts other than original
equipment parts may void your warranty.

316282A

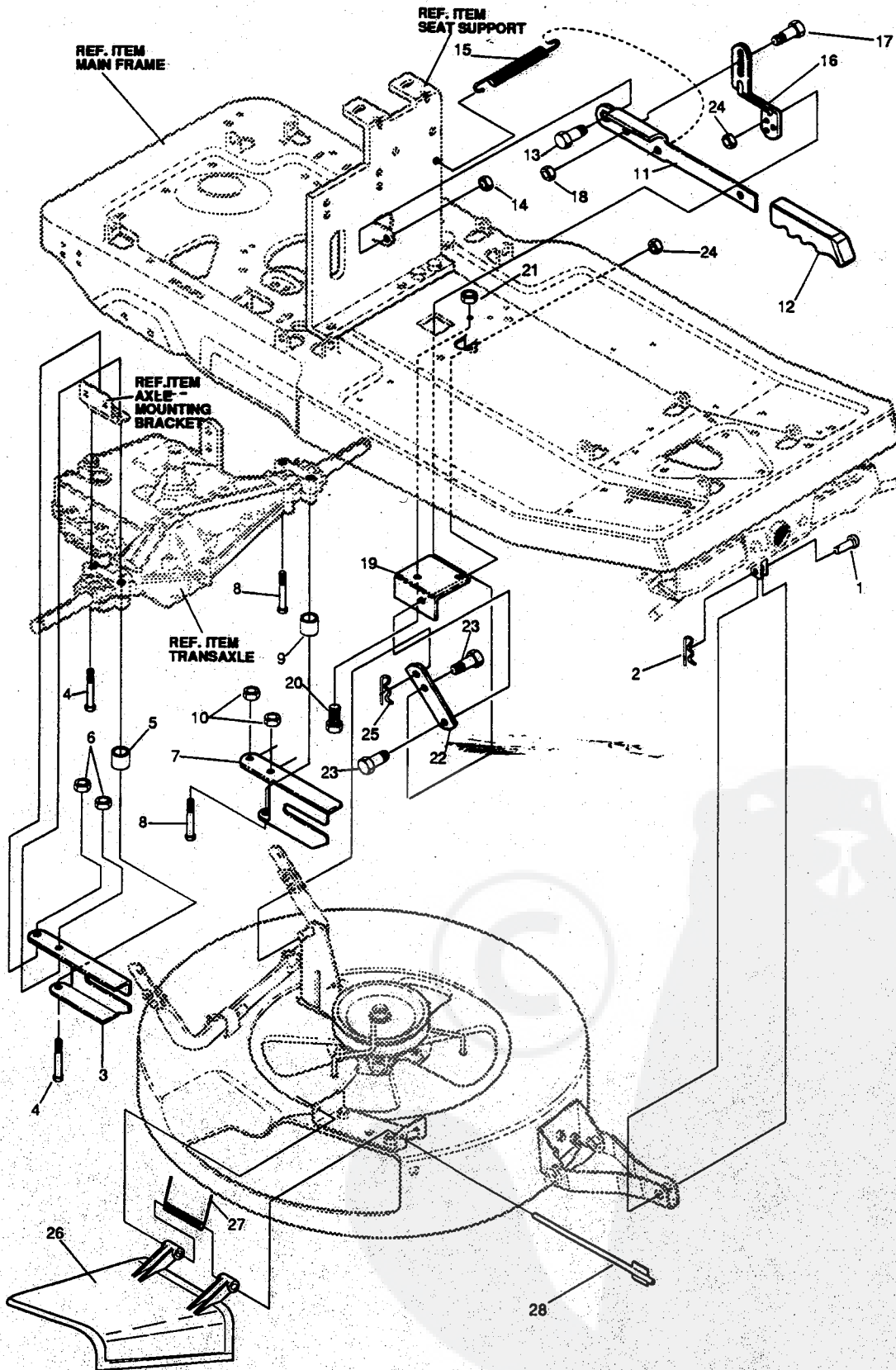
30" RIDING MOWER MODEL B3594-130

key#	part#	description	qty.
1	316068	Frame	1
2	309612	Footpad RH	1
3	309613	Footpad LH	1
4	309235	Fastener, Ratchet	12
5	995346	Screw, 1/4-20 x .50 WA H H Tap	4
6	316952	Seat Support	1
7	048901	Screw, 5/16-18 x .63 WA H HC GR2	2
8	0120228	Screw, 5/16-18 x .63 H HC GR2	2
9	01498	Nut, 5/16-18 Reg H Ctr Lk	4
10	316061	Seat/Shift Bracket	1
11	035498	Screw, 5/16-18 x .75 WA H H Tap	1
12	50520	Spacer	2
13	0122017	Screw, 5/16-18 x 1.00 H HC GR2	2
14	01498	Nut, 5/16-18 Reg H Ctr Lk	2
15	301132	Seat Spring	1
16	9416	Clamp, Spring	1
17	0120706	Screw, 1/4-20 x .50 H HC GR2	1
18	01502	Nut, 1/4-20 Reg Hex Ctr Lk	1
19	313511	Fender	1
20	044811	Screw, 1/4-20 x .75 H WA Tap	4
21	305645	Fender Support	2
22	0995346	Screw, 1/4-20 x .50 WA H H Tap	4
23	12599	Fastener, Velcro	2
24		Seat (SEE CUSTOMER ASSY. GROUP)	1
25	304537	Console	1
26	305418	Seat Bracket	1
27	0180117	Screw, 3/8-16 x .56 HHC	2
28	01499	Nut, 3/8-16 REG HX CTR LK	2
29	316963	Seat Plate	1
30	20507	Bolt, .437 x .156 HH SH 5/16-18	2
31	01498	Nut, 5/16-18 REG HEX CTR LK	2
32	0120229	Screw, 5/16-18 x .88 HHC GR2	2
33	01498	Nut, 5/16-18 Reg H Ctr Lk	2
34	318048	Operator's Manual (Not Illustrated) English	1
35	318051	Parts Manual (Not Illustrated) English	1

◊ Indicates STANDARD HARDWARE ITEMS.

30" RIDING MOWER MODEL B3594-130

MOWER SUSPENSION ASSEMBLY



NOTE: ALWAYS USE ORIGINAL EQUIPMENT PARTS. Use of service/replacement parts other than original equipment parts may void your warranty.

ALL UNNUMBERED ITEMS ARE INTERCHANGABLE WITH OPPOSITE SIDE

306432C

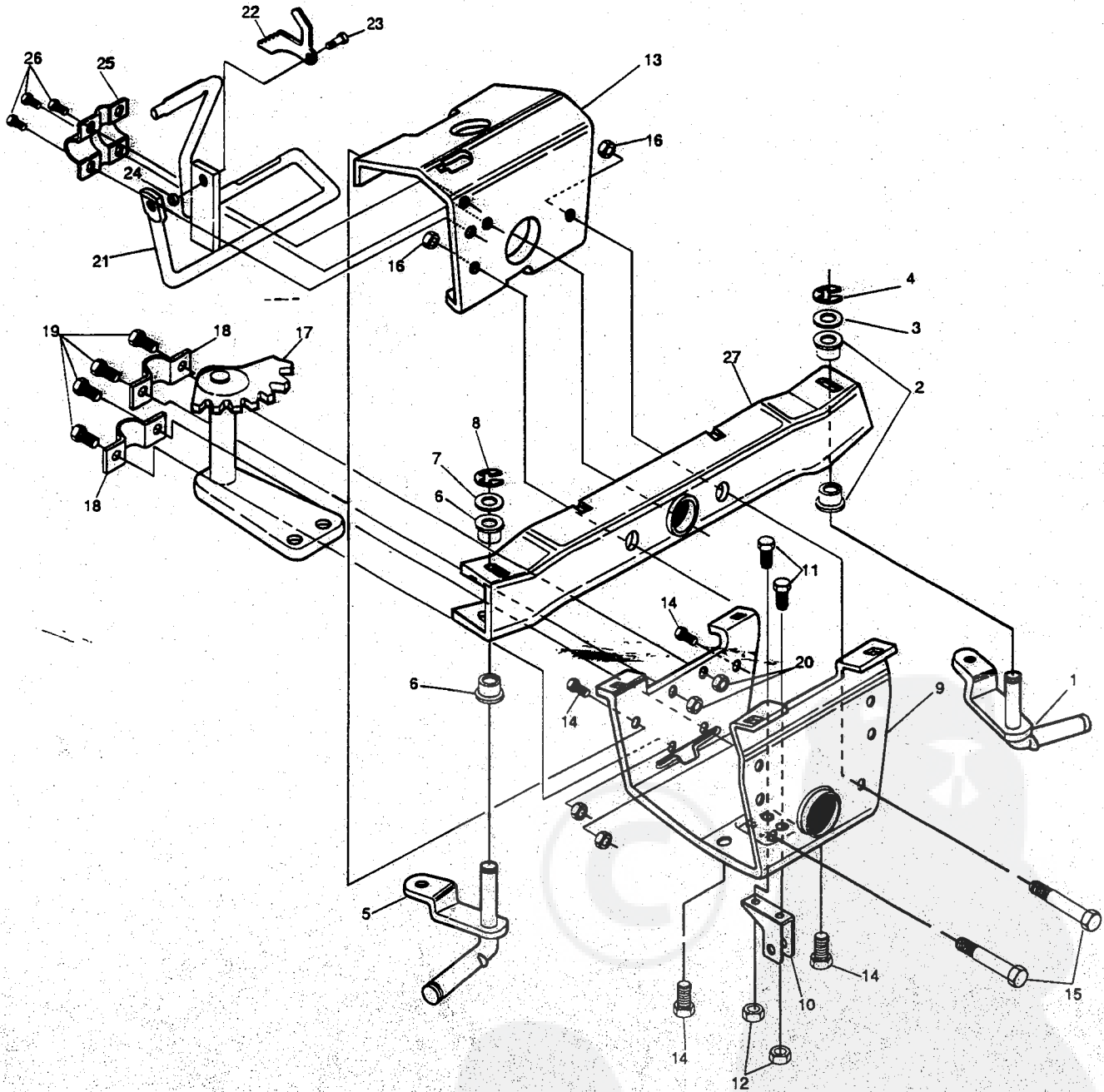
30" RIDING MOWER MODEL B3594-130

key#	part#	description	qty.
1	47816	PIN, .495X1.750 CLEVIS-SHORT	1
2	56180	PIN, HAIR .091 DIA X 1.62LG	1
3	313426	BRACKET, REAR SUPPORT RH	1
4	◇ 122083	SCREW, 5/16-18X2.50 HHC	2
5	41462	SPACER .328 X .750 X .312	1
6	◇ 1498	NUT, 5/16-18 REGHEXCTRLK	2
7	313425	BRACKET, REAR SUPPORT LH	1
8	◇ 122083	SCREW, 5/16-18X2.50 HHC	2
9	41462	SPACER .328 X .750 X .312	1
10	◇ 1498	NUT, 5/16-18 REGHEXCTRLK	2
11	316953	HANDLE, HEIGHT ADJUST	EA
12	313763	GRIP, HANDLE, LIFT	1
13	54855	BOLT, .500X .345 HHSH 3/8-16	1
14	1499	NUT, 3/8-16 REGHXCTRLK	1
15	35410	SPRING .071 X .62 X 4.37	1
16	314048	BRKT, LINK UPPER 30" MOW	1
17	54855	BOLT, .500X .345 HHSH 3/8-16	1
18	◇ 1499	NUT, 3/8-16 REGHXCTRLK	1
19	315250	BRACKET, RER FRAME	1
20	◇ 120229	SCREW, 5/16-18X .88 HHC	1
21	◇ 1498	NUT, 5/16-18 REGHEXCTRLK	1
22	314047	BRKT, LINK LOWER 30" MOW	1
23	313560	BOLT, .500X .225 HHSH 5/16-18	2
24	◇ 1498	NUT, 5/16-18 REGHEXCTRLK	2
25	56180	PIN, HAIR .091 DIA X 1.62LG	1
26	315314	CHUTE DEFLECTOR 30" DECK	1
27	305124	SPRING TORSION CHUTE DEF.	1
28	304424	ROD, PIVOT 40" DECK .312 x 7.25	1

◇ Indicates STANDARD HARDWARE ITEMS.

30" RIDING MOWER MODEL B3594-130

PRE-PAINT FRONT AXLE ASSEMBLY



ALL UNNUMBERED
ITEMS ARE INTERCHANGABLE
WITH OPPOSITE SIDE

**NOTE: ALWAYS USE ORIGINAL
EQUIPMENT PARTS.** Use of service/replacement parts other than original equipment parts may void your warranty.

316219A

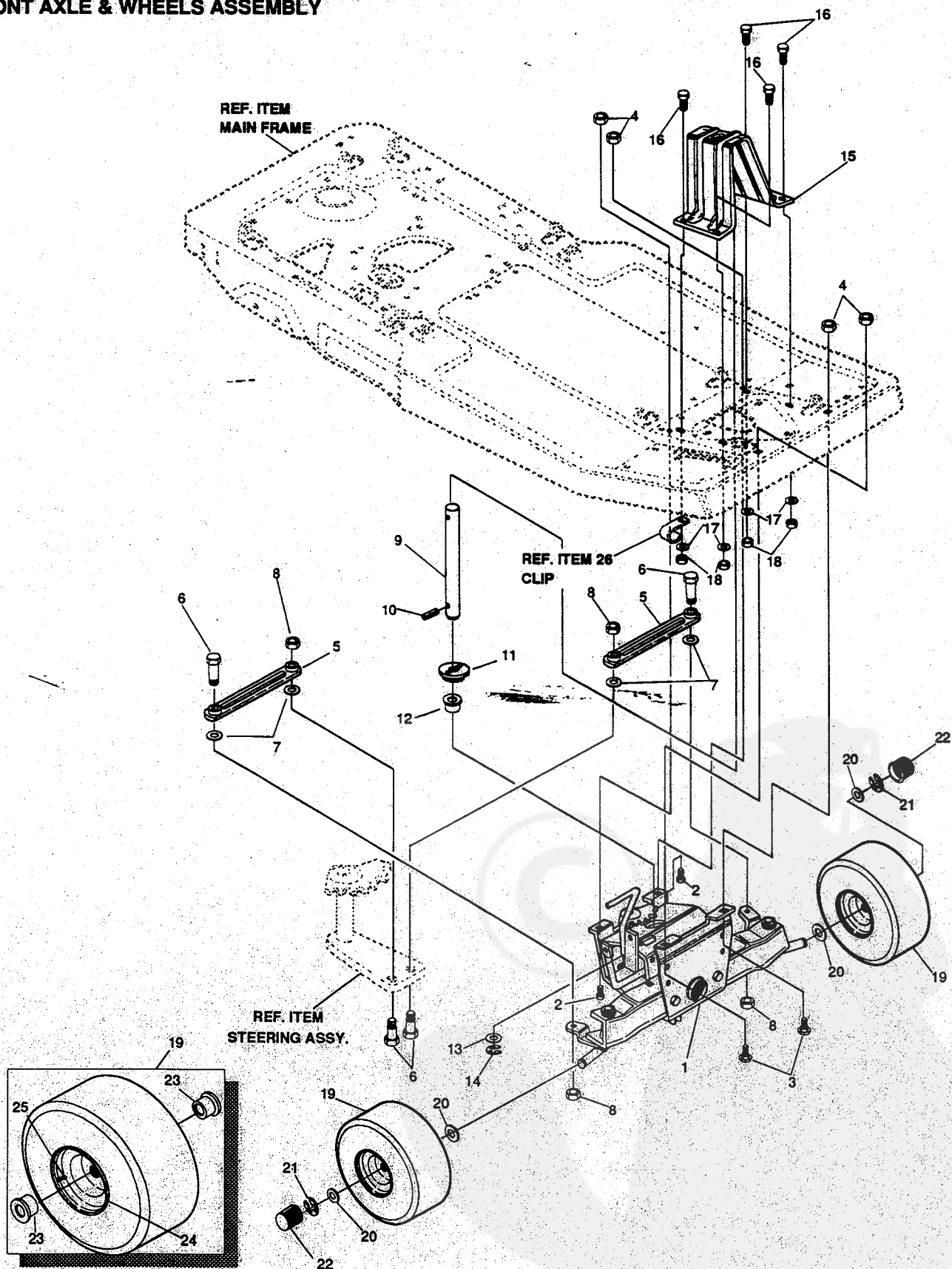
30" RIDING MOWER MODEL B33594-130

key#	part#	description	qty.
1	316216	Assembly Spindle L.H.	1
2	12552	Bushing, Spindle	2
3	4107	Washer, Flat .635 x 1.31 x .07	1
4	20859	Ring, Ret E. .48 x .04 TRU 5133-62	1
5	316217	Assembly Spindle, R.H.	1
6	12552	Bushing, Spindle	2
7	4107	Washer, Flat .635 x 1.31 x .07	1
8	20859	Ring, Retaining E .48 x .04 TRU 5133-62	1
9	314228	Bracket, Axle, Outer Front	1
10	302800	Hanger	1
11	120228	Screw, 5/16-18 x .63 HHC GR2	2
12	1498	Nut, 5/16-18 Reg H Ctr Lk	2
13	302799	Axle Bracket, Inner	1
14	35497	Screw, 5/16-18 x .50 WAHH Tap	4
15	122201	Screw, 3/8-16 x 2.75 H HC GR 2	2
16	1499	Nut, 3/8-16 Reg HX Ctr Lk	2
17	302958	Steering Assembly	1
18	302760	Clamp, .625 Dia.	2
19	120228	Screw, 5/16-18 x .63 H HC GR2	4
20	1498	Nut, 5/16-18 Reg Hex Ctr Lk	4
21	303249	Brake Arm Assembly	1
22	302955	Latch, Parking Brake	1
23	3275	Bolt, .373 x .140 H H SH 1/4-20	1
24	1502	Nut, 1/4-20 Reg H Ctr Lk	1
25	44112	Bracket, Clutch and Brake	1
26	35497	Screw, 5/16-18 x .50 WA H H Tap	5
27	316845	Front Axle, Pivot	1

316219A

30" RIDING MOWER MODEL B3594-130

FRONT AXLE & WHEELS ASSEMBLY



NOTE: ALWAYS USE ORIGINAL EQUIPMENT PARTS.
Use of service/replacement parts other than original equipment parts may void your warranty.

**ALL UNNUMBERED
ITEMS ARE INTERCHANGABLE
WITH OPPOSITE SIDE**

316220A

30" RIDING MOWER MODEL B3594-130

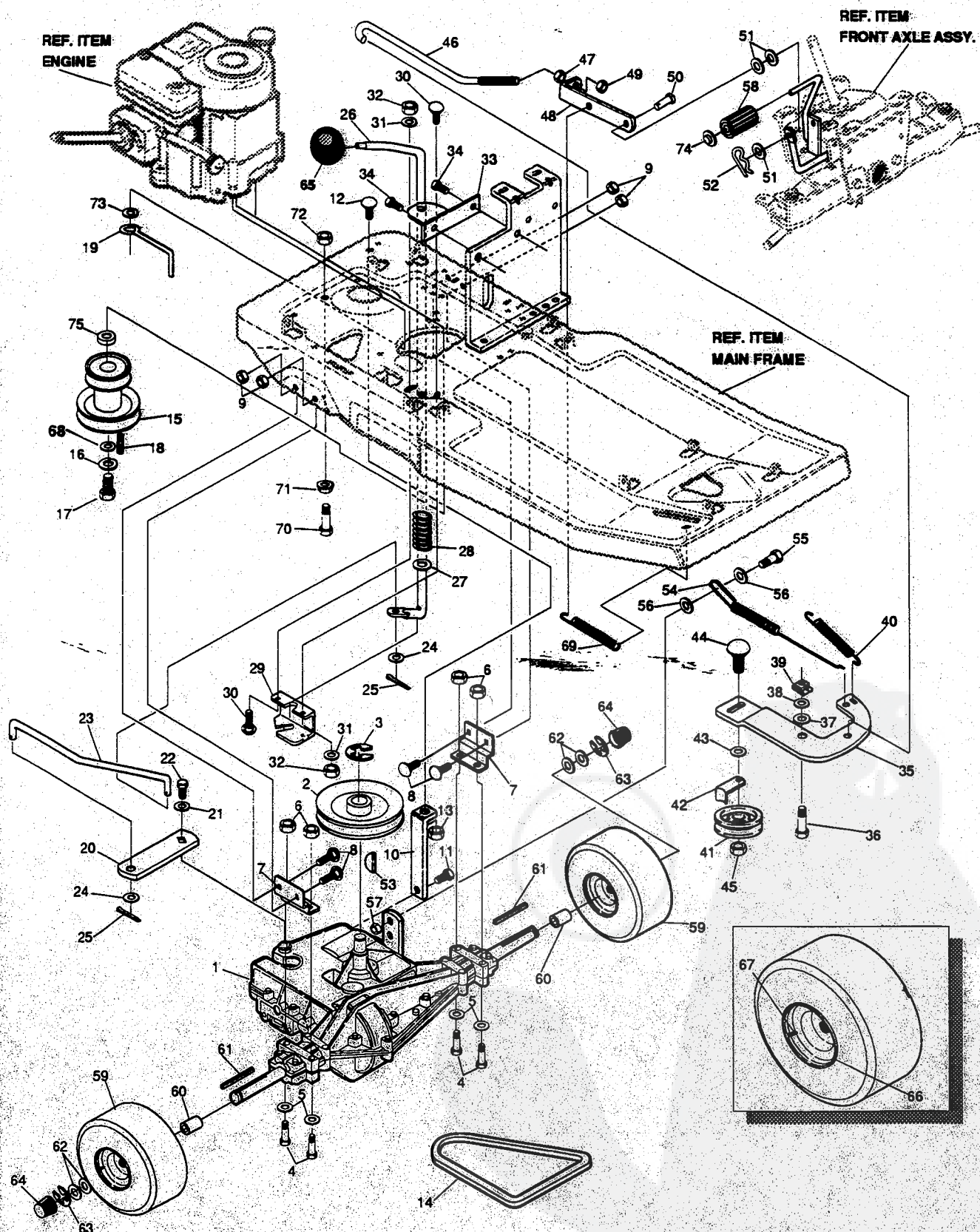
key#	part#	description	qty.
1	*	FRONT AXLE ASSEMBLY	1
2	122007	Screw, 5/16-18 x .75 H HC GR2	2
3	126211	Bolt, 5/16-18 x .63 Carr GR2	2
4	45174	Nut, 5/16-18 Hex Wd Fl Lk Whiz	4
5	303140	Tie Rod	2
6	122145	Screw, 3/8-16 x 1.25 H HC GR2	4
7	120382	Washer, Reg Spt Lk .393 x .68 x .10	4
8	1499	Nut, 3/8-16 Reg Hx Ctr Lk	4
9	315766	Shaft Steering	1
10	454565	Pin, Spring .250 Dia. x 1.25 Lg	1
11	302766	Gear, Pinion	1
12	304010	Bushing-Steering	1
13	4107	Washer, Flat .635 x 1.31 x .07	1
14	20859	Ring, Retaining E .48 x .04 TRU 5133-62	1
15	305023	Support, Steering Shaft	1
16	48901	Screw, 5/16-18 x .63 WA H HC GR2	4
17	120393	Washer, Flat .344 x .69 x .065	4
18	1498	Nut, 5/16-18 Reg Hex Ctr Lk	4
19	42295	Tire, 11 x 4.00-5	2
20	40677	Washer, Flat .640 x 1.25 x .06	4
21	20859	Ring, Retaining E .48 x .04 TRU 5133-62	2
22	36832	Hub Cap	2
23	301137	Bearing, Wheel	2
24	301175	Wheel	1
25	24167	Valve Stem	1
26		See Electrical System	1

* ORDER INDIVIDUAL PARTS.

316220A

30" RIDING MOWER MODEL B3594-130

TRACTION DRIVE ASSEMBLY



NOTE: ALWAYS USE ORIGINAL EQUIPMENT PARTS. Use of service/replacement parts other than original equipment parts may void your warranty.

ALL UNNUMBERED ITEMS ARE INTERCHANGABLE WITH OPPOSITE SIDE

316947C

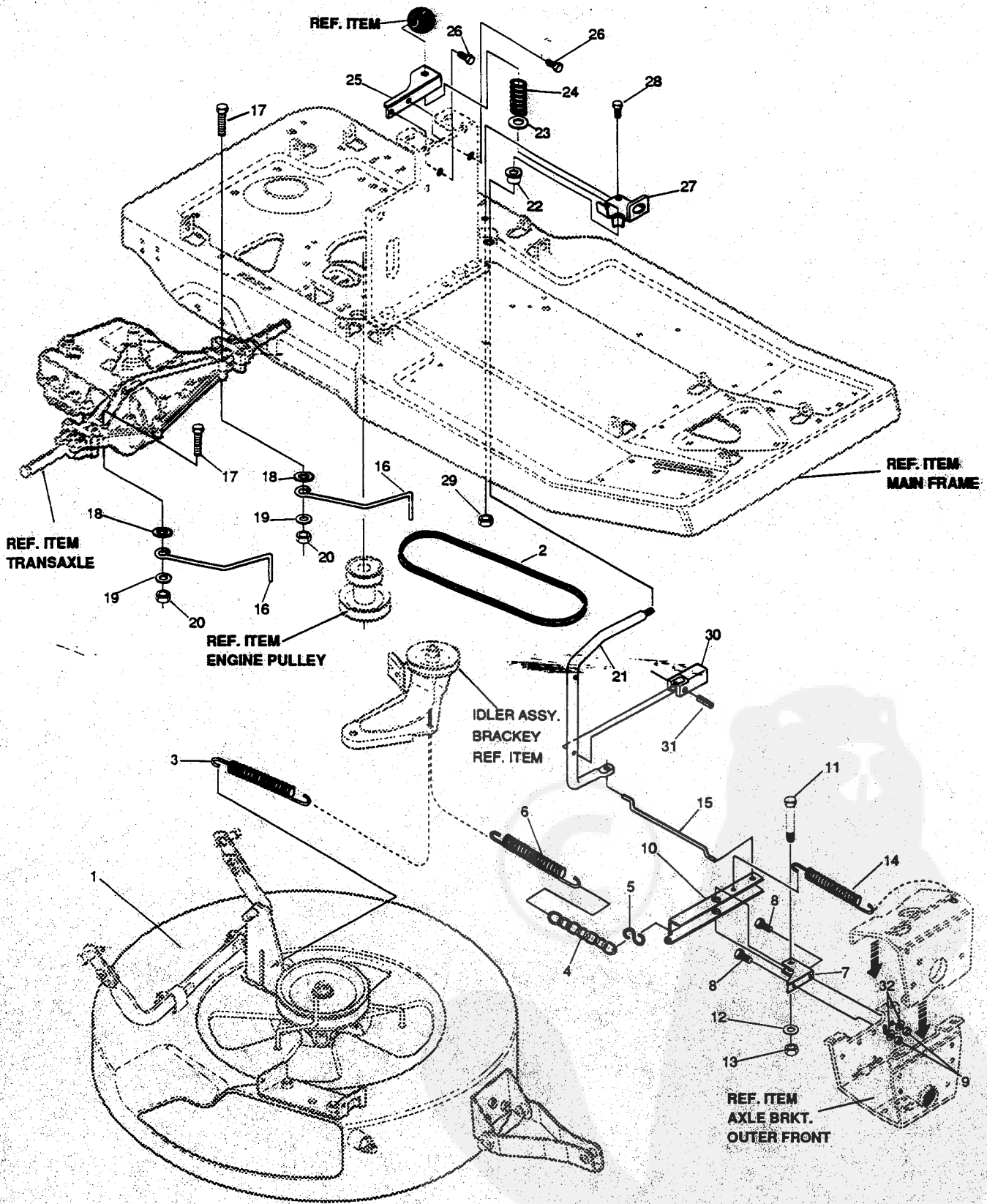
30" RIDING MOWER MODEL B3594-130

key#	part#	description	qty.
1	TRANSAXLE	CONTACT NEAREST DEALER	1
2	303109	Pulley, Transaxle	1
3	22053	Ring, RETEX .58 x .04 TRU 5100-62	1
4	122077	Screw, 5/16-18 x 2.50 HHC GR2	4
5	120393	Washer, Flat .344 x .69 x .065	4
6	1498	Nut, 5/16-18 REG HEX CTR LK	4
7	9796	Bracket, Transaxle	2
8	126211	Bolt, 5/16-18 x .63 CARR	4
9	1498	Nut, 5/16-18 REG HEX CTR LK	4
10	300587	Bracket, Transaxle Support	1
11	35498	Screw, 5/16 - 18 x .75 WA HH TAP	1
12	126211	Bolt, 5/16-18 x .63 CARR	1
13	1498	Nut, 5/16 - 18 REG HEX CTR LK	1
14	300575	Belt, V 4L	1
15	300577	Pulley, ENG 3.92 OFF/3.87 D/3.00D	1
16	120383	Washer, REG SPT LK .450 x .78 x .12	1
17	182759	Screw, 7/16-20 x 2.00 HHC	1
18	26655	Key, Square .250 SQ x 2.50 Lg	1
19	55488	Belt Guide	1
20	9290	Shift Lever, Brkt	1
21	57157	Washer, .750 x .250	1
22	56255	Screw, 1/4-28 x .75 NYL HH CGR8	1
23	310202	Rod, Shift Connecting	1
24	120394	Washer, Flat .406 x .81 x .065	2
25	137185	Pin, Cotter .125 DIA X 1.00 LG	2
26	309255	Handle, Shift	1
27	120396	Washer, Flat .531 x 1.06 x .095	1
28	301133	Spring, Shift Lever	1
29	309053	Bracket Detent Shift	1
30	126216	Bolt, 5/16-18 x .75 CARR	2
31	120393	Washer, Flat .344 x .69 x .065	2
32	1498	Nut, 5/16-18 REG HEX CTR LK	2
33	305415	Shift Control Brkt.	1
34	995346	Screw, 1/4-20 x .50 WA HH TAP	2
35	12585	Arm, Idler, Transaxle Drive	1
36	41890	Bolt, .625 x .218 HH SH 5/16-18z	1
37	4107	Washer, Flat .635 x 1.31 x .07	1
38	45602	Washer, Flat .333 x .87 x .119	1
39	301124	Tinnerman Clip	1
40	35410	Spring, 0.75 x .82 x 4.37	1
41	35374	Pulley, Idler	1
42	39659	Retainer, Strap Belt	1
43	274517	Washer, Flat .406 x .73 x .063	1
44	45892	Bolt, 3/8-16 x 1.50 CARR	1
45	1499	Nut, 3/8-16 REG HX CTR LK	1
46	303138	Rod Clutch	1
47	271184	Nut, 5/16-18 HEX KEPS	1
48	12591	Brkt, Clutch Brake	1
49	1498	Nut, 5/16-18 REG HEX CTR LK	1
50	39522	Pin Clevis .312 x .812	1
51	120393	Washer, Flat .344 x .69 x .065	3
52	8260	Pin, Hair .091 DIA x 1.66 LG	1
53	3021	Key, Woodruff	1
54	309251	Spring, Brake	1
55	25086	Bolt, .500 x .375 HH SH 5/16-18	1
56	308188	Washer, Flat .515 x 1.31 x .09	2
57	1498	Nut, 5/16-18 REG HEX CTR LK	1
58	52840	Pedal Pad	1
59	305038	Tire, 16X4.80-8	2
60	300588	Spacer	2
61	39628	Key, Square .187 SQ x 2.5 OLG	2
62	42815	Washer, Flat .755 x 1.53 x .07	4
63	36625	Ring, RET EX .57 x .05 TRU5133-75	2
64	40394	Cap, Hub	2
65	(SEE CUST. ASSY GROUP)	Shift Knob	1
66	305036	Wheel	1
67	24167	Valve Stem	1
68	56431	Washer, 980ID x 1.38OD x .437 Pilot	1
69	53704	Spring, 536 OD x .047 x 3.4	1
70	122077	Screw, 5/16-18 x 2.50 HHC GR2	1
71	271184	Nut, 5/16-18 HEX KEPS	1
72	1498	Nut, 5/16-18 REG HEX CTR LK	1
73	138489	Washer, EX LK .384 x .69 x .04	1
74	44582	Cap, Push Nut	1
75	300589	Spacer, Engine Sheave	1

316947C

30" RIDING MOWER MODEL B3594-130

MOWER DRIVE ASSEMBLY



NOTE: ALWAYS USE ORIGINAL EQUIPMENT PARTS.
Use of service/replacement parts other than original equipment parts may void your warranty.

ALL UNNUMBERED ITEMS ARE INTERCHANGABLE WITH OPPOSITE SIDE

315603A

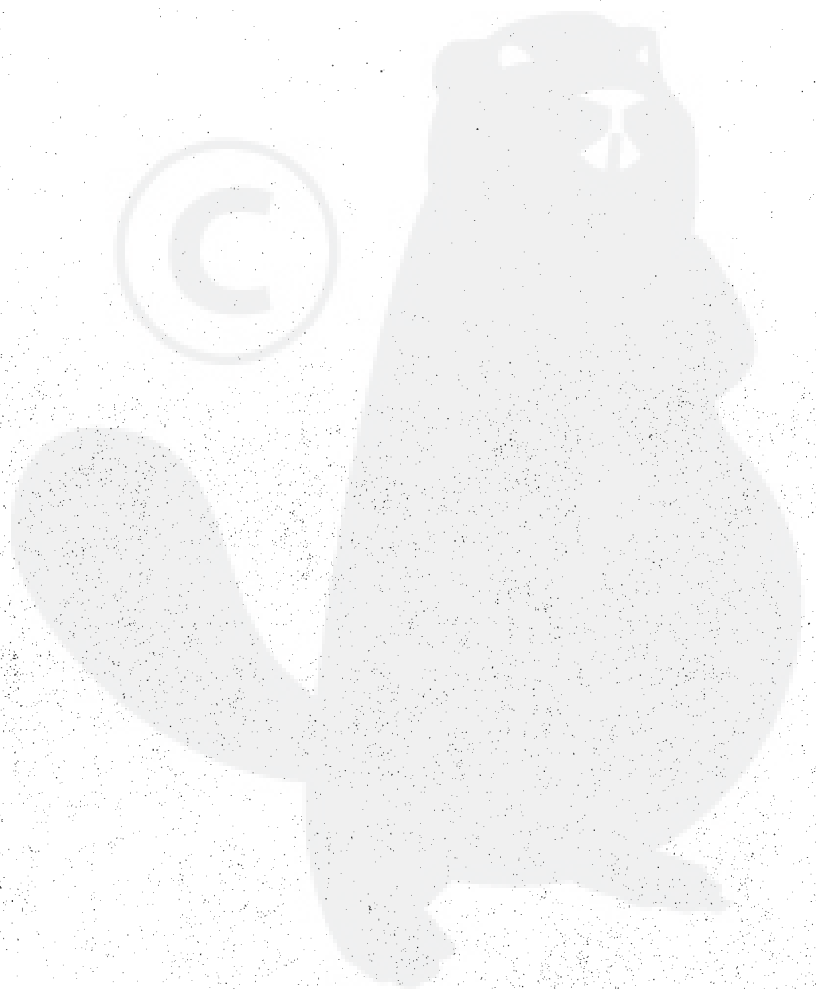
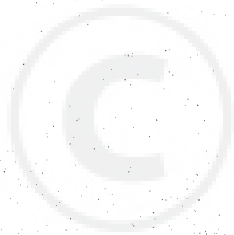
30" RIDING MOWER MODEL B3594-130

key#	part#	description	qty.
1	*	ASSY., DECK, PRE-PAINT 30"	1
2	56537	BELT, V 4L 50.5LG	1
3	35410	SPRING .071 X .62 X 4.37	1
4	310428	CHAIN, JACK	0.500 FT
5	310734	HOOK, S, 10 GA. STEEL	1
6	300683	SPRING, .75X6.3X.105 TENSION	1
7	302800	HANGER	1
8	◇ 120228	SCREW, 5/16-18X .63 HHC	2
9	◇ 1498	NUT, 5/16-18 REGHEXCTRLK	2
10	309051	ROCKER ARM, MOWER ENGAGEMENT	1
11	310364	BOLT, .500X1.18 HSH 3/8-16	1
12	◇ 845	WASHER, FLAT .390X1.25X.119	1
13	◇ 1499	NUT, 3/8-16 REGHXCTRLK	1
14	35410	SPRING .071 X .62 X 4.37	1
15	309049	ROD, CONNECTING	1
16	310388	GUIDE, BELT	2
17	◇ 122077	SCREW, 5/16-18X2.50 HHC	2
18	◇ 138485	WASHER, EXLK .320X.61X.03	2
19	◇ 120393	WASHER, FLAT .344X .69X.065	2
20	◇ 1498	NUT, 5/16-18 REGHEXCTRLK	2
21	309048	HANDLE, MOWER ENGAGEMENT	1
22	310351	BEARING, FLANGED, NYLON	1
23	302921	RETAINER, SPRING	1
24	304398	SPRING COMPRESSION	1
25	311107	SUPPORT BRACKET PTO	1
26	◇ 995346	SCREW, 1/4-20X .50 WAHTAP	2
27	310309	BRACKET, PTO LIMIT Z-PL 953	1
28	◇ 35498	SCREW, 5/16-18X .75 WAHTAP	1
29	◇ 1498	NUT, 5/16-18 REGHEXCTRLK	1
30	305225	STOP, PTO ENGAGEMENT Z-PL953	1
31	455481	PIN, SPRING.187DIA X1.00LG	1
32	120393	WASHER, FLAT .344X.69X.065	2

* Order Individual Parts.

◇ Indicates STANDARD HARDWARE ITEMS.

315603A



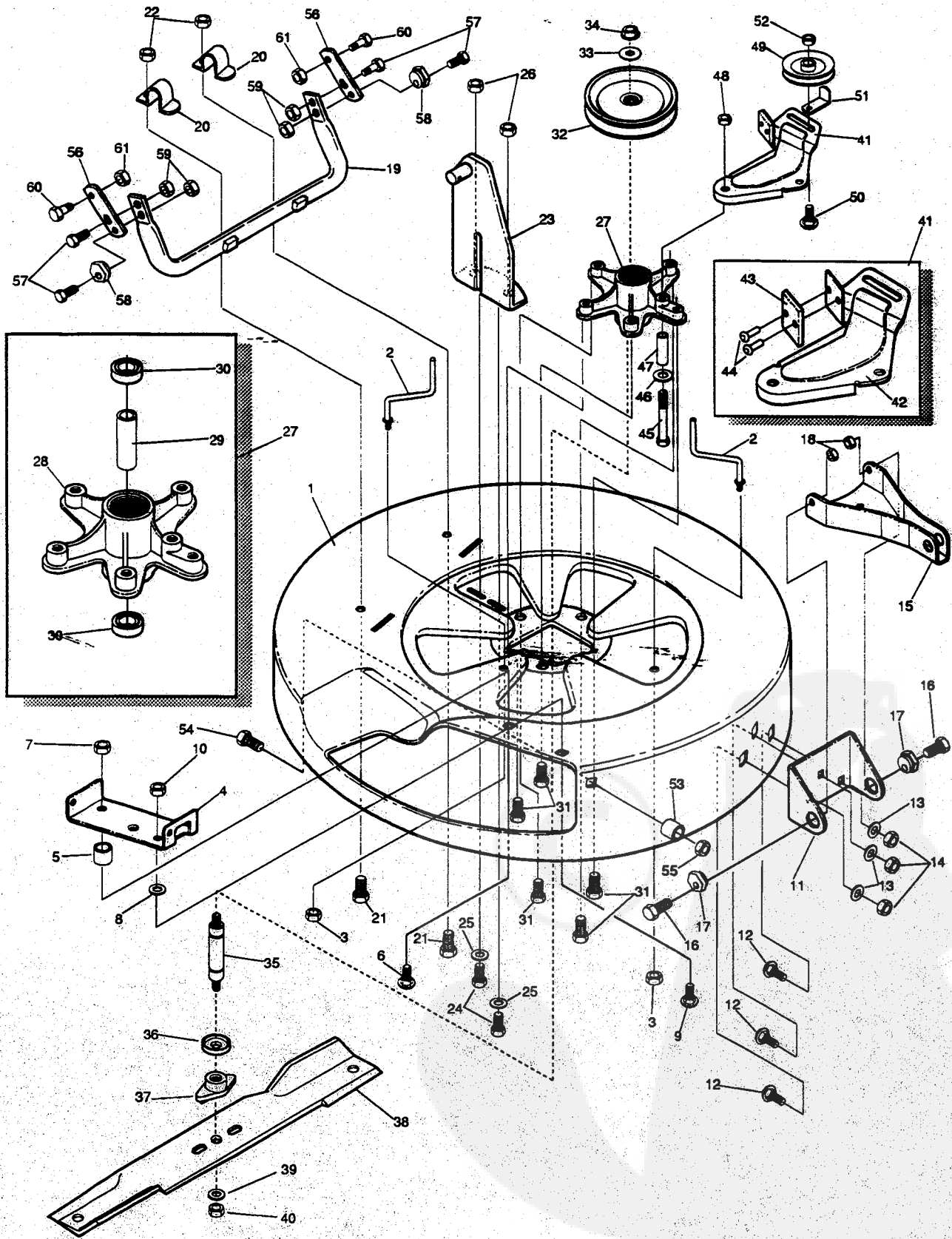
30" RIDING MOWER MODEL B3594-130

key#	part#	description	qty.
1	ENGINE	SEE ENGINE MANUAL	1
2	48148	Screw, 3/8-16 x 1.000 WD FL LK	3
3	180083	Screw, 5/16 - 18 x 1.50 HHC	1
4	44108	Nut, 5/16 - 18 H WD FL LK	1
5	309960	Exhaust Assy.	1
6	314996	Tank, Gas-Elec, 1.3 GAL	1
7	12501	Cap, Fuel -2.5 Throat	1
8	313368	Support, Gas Tank	2
9	995346	Screw, 1/4-20 x .50 WA HH TAP	8
10	47452	Gas Line .25 ID Bulk Length	15 in.
11	120393	Washer, Flat .344 x .69 x .065	1
12	48672	Clamp, Fuel Line	2
13	301141	Control, Throttle	1
14	35287	Screw #8-32 x .38 HH WA TAP	2
15	414106	Washer, Flat .188 x .38 x .040	2
16	39486	Throttle Control Knob-T Shape	1
17	57366	Screw, Drill Tite	4
18	120394	Washer, Flat .406 x .81 x .065	1
19	138485	Washer, EX LK .320 x .61 x .03	1

312551E

30" RIDING MOWER MODEL B3594-130

PRE-PAINT DECK ASSEMBLY



NOTE: ALWAYS USE ORIGINAL EQUIPMENT PARTS.
 Use of service/replacement parts other than original equipment parts may void your warranty.

**ALL UNNUMBERED
 ITEMS ARE INTERCHANGABLE
 WITH OPPOSITE SIDE**

313589B

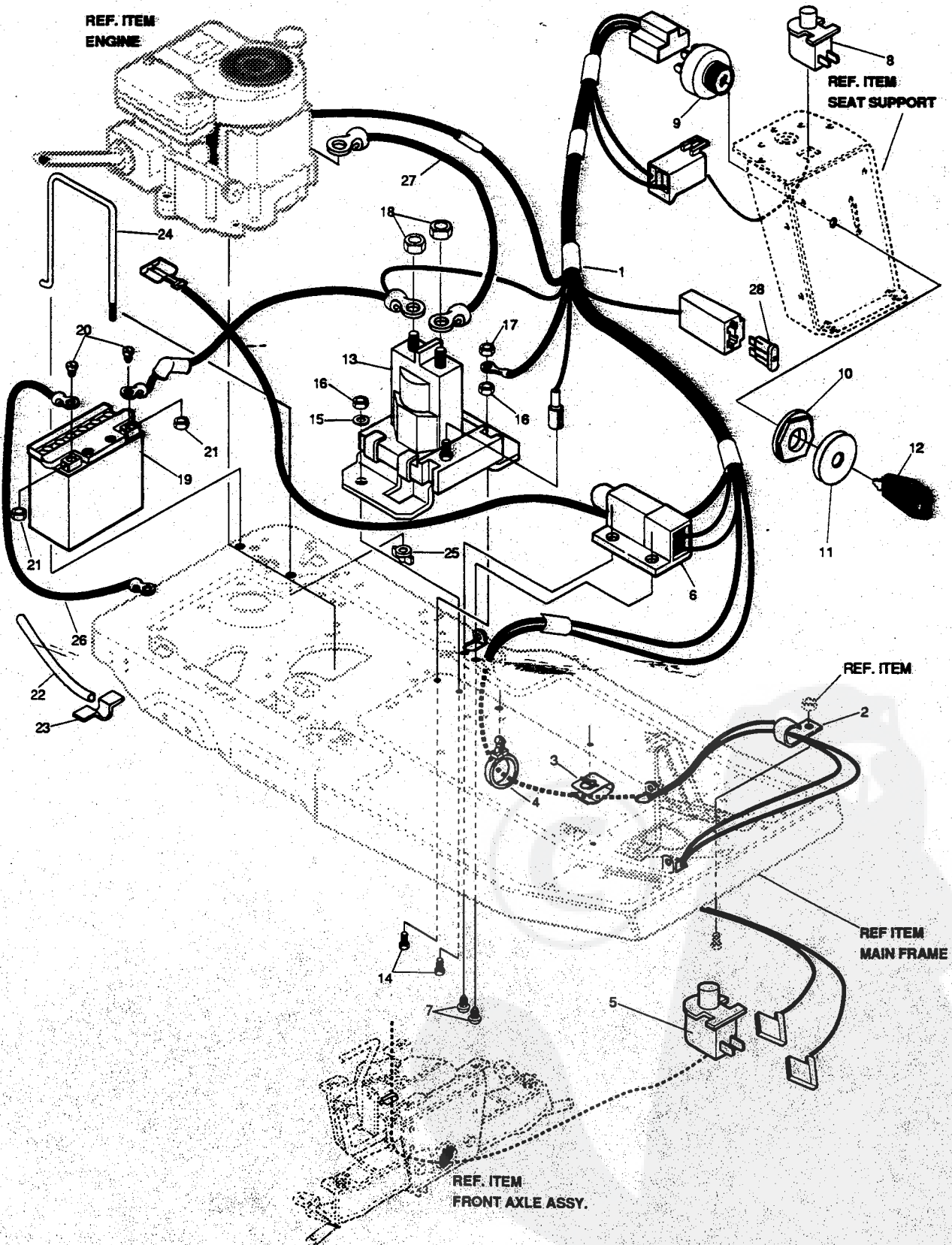
30" RIDING MOWER MODEL B3594-130

key#	part#	description	qty.
1	317496	DECK, MOWER 30 INCH	1
2	57318	GUIDE, BELT 5/16-18 THD	2
3	1498	NUT, 5/16-18 REGHEXCTRLK	2
4	302364	BRACKET CHUTE MOUNT	1
5	314702	SPACER .344X1.00X.500	1
6	120230	BOLT, 5/16-18X1.25 CARR	1
7	1498	NUT, 5/16-18 REGHEXCTRLK	1
8	45602	WASHER, FLAT .333X .87X.119 Z	1
9	126216	BOLT, 5/16-18X .75 CARR GR2 Z	1
10	1498	NUT, 5/16-18 REGHEXCTRLK	1
11	311237	BRACKET, MOUNTING, FRONT	1
12	57072	BOLT, 5/16-18X .63 CARR	3
13	120393	WASHER, FLAT .344X .69X.065	3
14	1498	NUT, 5/16-18 REGHEXCTRLK	3
15	311236	BRACKET, BAR, TOW, FRONT	1
16	122017	SCREW, 5/16-18X1.00 HHC	2
17	58247	ADJUSTING NUT	2
18	1498	NUT, 5/16-18 REGHEXCTRLK	2
19	313372	ASSY., TUBE, PIVOT	1
20	51985	SUPPORT, PIVOT TUBE	2
21	180077	SCREW, 5/16-18X .75 HHC	2
22	1498	NUT, 5/16-18 REGHEXCTRLK	2
23	314119	ASSY LIFT BRKT	1
24	180077	SCREW, 5/16-18X .75 HHC GR5 Z	2
25	120393	WASHER, FLAT .344X .69X.065	2
26	1498	NUT, 5/16-18 REGHEXCTRLK	2
27	313588	ASSEMBLY, QUILL	1
28	314272	QUILL, MACHINED CASTING	1
29	314274	TUBE, SPACER	1
30	313576	BEARING, BALL, 6204-2RS-Q	2
31	50634	SCREW, 5/16-18X .88 WAHHTAP	5
32	314273	PULLEY ASSEMBLY	1
33	22265	WASHER, FLAT .515X1.38X.119PL	1
34	1500	NUT, 1/2-13 REGHXCTRLK	1
35	314271	SHAFT, QUILL 30" MOWER	1
36	313577	SHIELD, DUCK BEARING	1
37	313584	HUB, BLADE ADAPTOR	1
38	314826	BLADE, 30" TD MOWER 1.4 WING	1
39	22265	WASHER, FLAT .515X1.38X.119PL	1
40	1500	NUT, 1/2-13 REGHXCTRLK	1
41	12229	BRACKET, IDLER ASSEMBLY	1
42	313510	BRACKET, ARM, IDLER	1
43	306973	BRAKE PAD - HARD - 232AF	1
44	41601	RIVET, OVSET .187DIA X .50LG	2
45	180091	SCREW, 5/16-18X2.50 HHC	1
46	45602	WASHER, FLAT .333X .87X.119	1
47	314824	SPACER, 322 X .625 X 1.810	1
48	44108	NUT, 5/16-18 HWDFLCTRLK	1
49	45074	PULLEY, IDLER V4L 3.06X .72	1
50	122168	SCREW, 3/8-16X1.75 HHC	1
51	39659	RETAINER, STRAP BELT	1
52	1499	NUT, 3/8-16 REGHXCTRLK	1
53	50520	SPACER	1
54	126216	BOLT, 5/16-18X .75 CARR	1
55	1498	NUT, 5/16-18 REGHEXCTRLK	1
56	314099	BRACKET, BAR, REAR STABILI	2
57	122017	SCREW, 5/16-18X1.00 HHC	4
58	58247	ADJUSTING NUT	2
59	1498	NUT, 5/16-18 REGHEXCTRLK	4
60	51940	BOLT, .500X .437 HHSH 3/8-16	2
61	1499	NUT, 3/8-16 REGHXCTRLK	2

313589B

30" RIDING MOWER MODEL B3594-130

ELECTRICAL ASSEMBLY



NOTE: ALWAYS USE ORIGINAL EQUIPMENT PARTS.
Use of service/replacement parts other than original equipment parts may void your warranty.

**ALL UNNUMBERED
ITEMS ARE INTERCHANGABLE
WITH OPPOSITE SIDE**

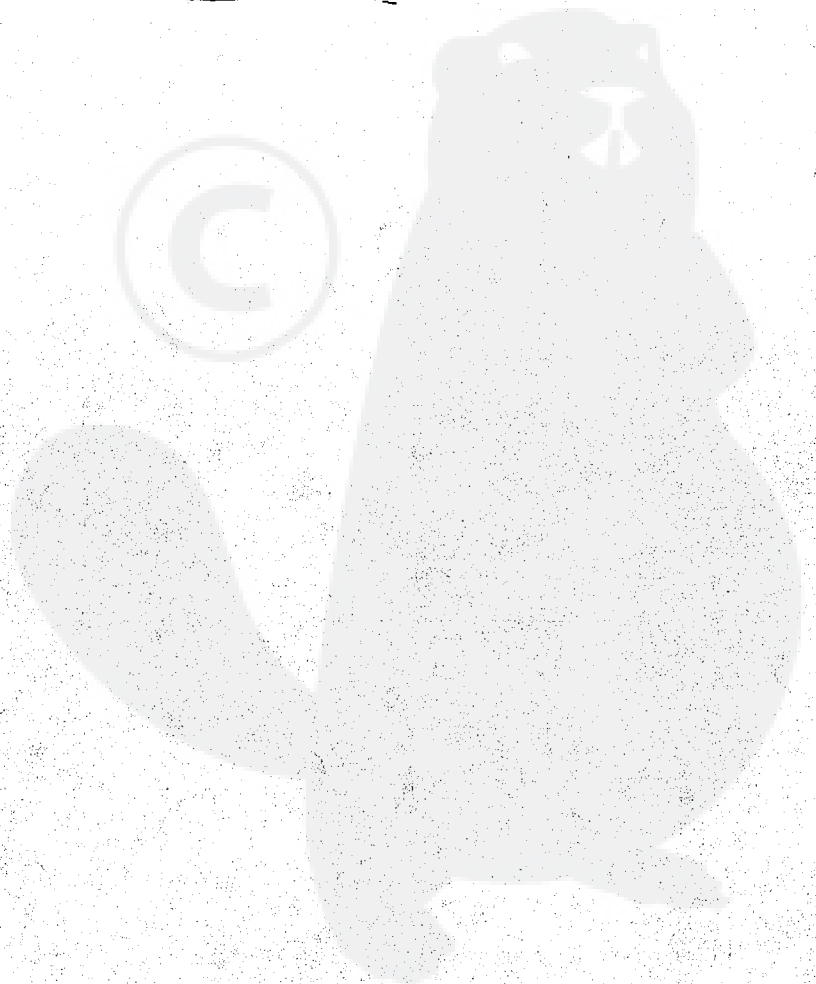
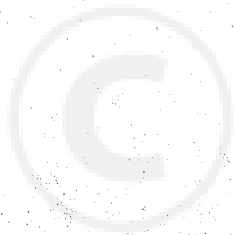
317022B

30" RIDING MOWER MODEL B3594-130

key#	part#	description	qty.
1	317015	HARNESS, ELEC RER C1 8-11B&S	1
2	57569	RETAINER, .31IDX.62X.03 WIRE	1
3	309098	CLIP, TRW #C4490-022-27	1
4	309698	CLIP, WIRE ROUTING, SNAP-IN	1
5	12553	SWITCH, SNAP MNT NO .140	1
6	57476	SWITCH, SCR MNT DP NC	1
7	57220	SCREW, #12 X .50 PHPNHTAP	2
8	58277	SWITCH, SNAPMNT NC .055/.166	1
9	300295	SWITCH, IGNITION W/O LIGHTS	1
10	300193	NUT, 5/8-32 IGN SWIT	1
11	300194	BOOT, SWITCH	1
12	300626	KEY, IGNITION SWITCH	1
13	53716	SOLENOID, NEW CLUM	1
14	187745	SCREW, 1/4-20X .75 HXSEMMA	2
15	138485	WASHER, EXLK .320X.61X.03	1
16	1502	NUT, 1/4-20 REGHEXCTRLK	2
17	271172	NUT, 1/4-20 REGHEXKEPS	1
18	271187	NUT, 5/16-24 HKEPS	2
19	55472	BATTERY, YUASA	1
20	55529	SCR., METRIC, 6X1X11	1
21	55530	NUT, METRIC, 6X1 HEX	1
22	55636	DRAIN-TUBE, BATT	1
23	41482	CLIP, 1.380LG .255ID PRESS WIRE	1
24	303271	HOLD DOWN BRKT	1
25	310067	NUT, WING-1/4-20 SMALL PLASTIC	1
26	55511	WIRE, GROUND, 12.5"	1
27	301158	WIRE, STARTER, RED, 7.0	1
28	302031	FUSE SPADE TYPE 32V	1

+Referenced for Parts & Service only.

317022B



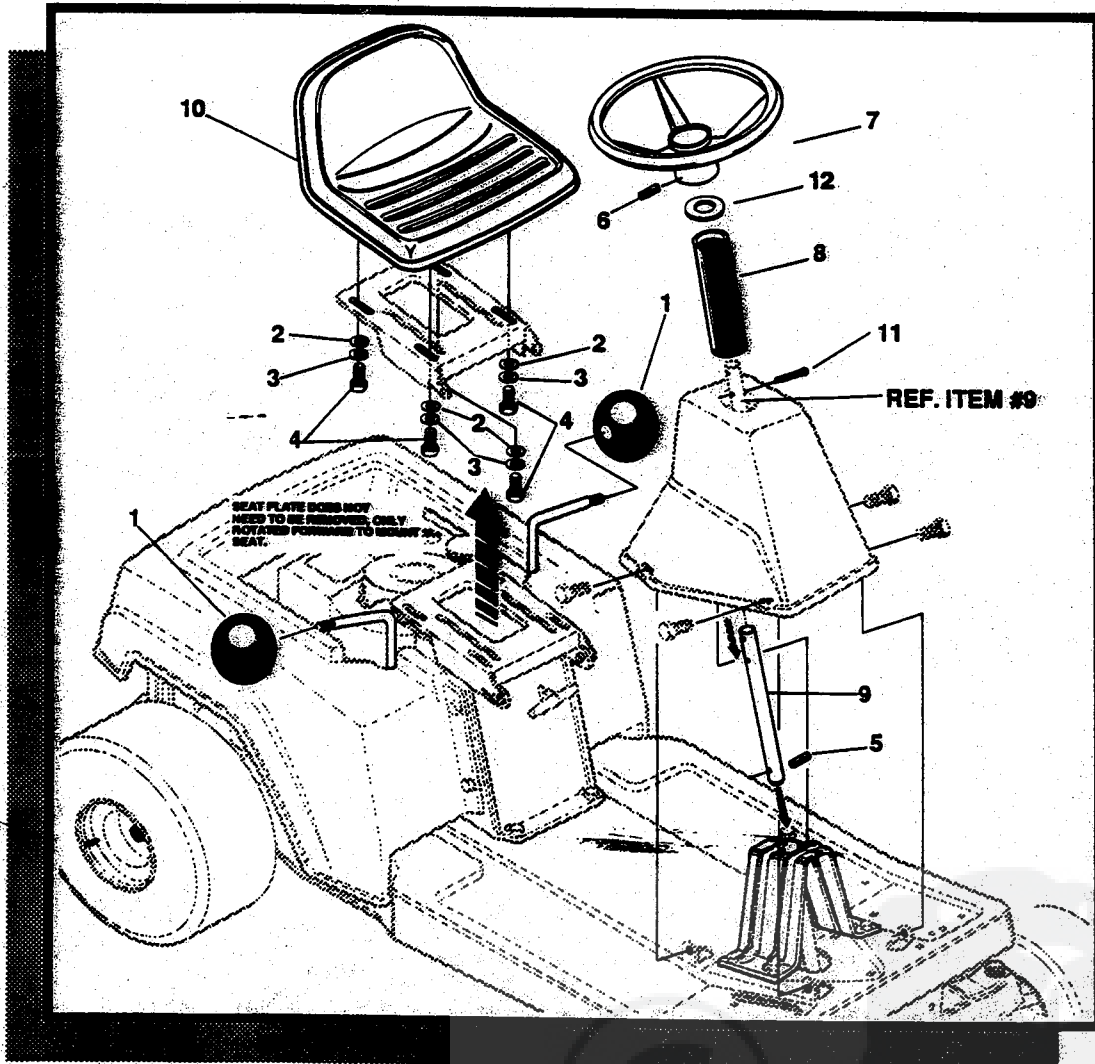
30" RIDING MOWER MODEL B3594-130

key#	part#	description	qty.
1		REFERENCE ONLY	1
2	317348	DECAL,PARK'N/BRAKE ISO	1
3	311227	DECAL, HEARING PROTECTION	1
4	317139	DECAL, 8/30 CONSOLE	1
5	312982	DECAL, ELECT START INSTR ENG	1
6	312983	DECAL, ELECT START INSTR FREN	1
7	312984	DECAL, ELECT START INSTR GERM	1
8	316351	DECAL, CNTRL 30" ISO NO LITE	1
9	310436	DECAL,FRENCH SAFETY CERT.	1
10		REFERENCE ONLY	1
11	311232	DECAL, SHIFT, 5SP, ISO, DOM.	1
12	305397	DECAL, PTO ENGAGEMENT, ISO	1
13	302758	NAMEPLATE MED., WHITE	1
14	305770	DECAL,CAUTION TRIANGLE EUROPE	1
15	307381	DECAL,DANGER FRENCH,ENGLISH	1
16	311066	DECAL,DANGER GERMAN	1

316962A

30" RIDING MOWER MODEL B3594-130

CUSTOMER ASSEMBLY



CUSTOMER ASSEMBLY VIEW

key#	part#	description	qty
1	55514	SHIFT KNOB	2
2	120393	WASHER, FLAT .344 X .69 X .065	4
3	120638	WASHER, HV SPT LK .328 X .60 X .11	4
4	122007	SCREW, 5/16 -18 X .75 HHC GR2	4
5	417375	PIN, SPRING .187 DIA X 1.25 LG MD	1
6	456836	PIN, SPRING .250 DIA X 2.25 LG HVPL	1
7	301465	WHEEL, STEERING	1
8	305605	TUBE, DECORATIVE	1
9	300797	TUBE-STEERING	1
10	304315	SEAT	1
11	120123	PIN, COTTER .125 DIA X 1.25 LG Z	1
12	301702	WASHER, FLAT .90 X 1.56 X .89	1

316263A

ACCESSORIES

Contact the dealer where your tractor was purchased for the available accessories. If you are unable to contact the dealer, write to the address on the front cover of this manual.

Rear Engine Rider

Model	Description
5708-16	Bagger - Fits 32" Side Discharge
5708-17	Bagger - Fits 36" Side Discharge
5709-02	Front Weight Box - holds 35 lbs.
5648-16	Lawn Sweeper w/dump Release

Lawn Tractor

Model	Description
5708-22	Bagger - Fits 30" Side Discharge
5708-13	Bagger - Fits 36", 38", 39" & 45" Side Discharge
5705-04	36" Two-Stage Snowblower - Fits 36", 38", 39", & 45" Side Discharge
5661-06	42" Snowblade - Fits 36", 38", 39", & 45"
5592-00	Tire Chains - 18" x 6.50"
5585-00	Tire Chains - 18" x 9.50" & 20" x 8"
5672-01	Wheel Weights - Front - 1 pr. w/mtg. hdw. - Fits 15" tires
5673-02	Wheel Weights - Rear - 1 pr. w/mtg. hdw. - Fits 18" & 20" tires
5709-03	Front Weights - Fits 30" & 32" Side Discharge
5648-16	Lawn Sweeper w/dump Release

Garden Tractor - Light Ground Engaging

Model	Description
5708-13	Bagger - Fits 36", 38", 39", & 45" Side Discharge
5705-04	36" Two-Stage Snowblower - Fits 36", 38", 39", & 45"
5661-06	42" Snowblade - Fits 36", 38", 39", & 45"
5672-01	Wheel Weights - Front 1 pr. w/mtg. hdw. - Fits 15" tires
5673-02	Wheel Weights - Rear - 1 pr. w/mtg. hdw. - Fits 18" & 20" tires
5648-16	Lawn Sweeper w/dump Release
5667-02	Sleeve Hitch - w/lift bar - Fits 45"
5668-01	Adaptor (sleeve hitch) for use w/23" tires
5706-00	Tire Chains - 20" x 10"
5671-00	Tire Chains - 23" x 9.50"
5672-02	Wheel Weights - Front - 1 pr. w/mtg. hdw. Fits 16" tires
5673-00	Wheel Weights - Rear - 1 pr. w/mtg. hdw. Fits 23" tires
5674-01*	10" One Bottom Moldboard Plow
5675-01*	Cultivator - 7 row - Adj. 6" - 42" width
5676-01*	Disc Harrow - 8" & 11" disc - Adj. width & disc angle
5677-02*	Tiller - 5 H.P. Self-Powered - 28" width

Four Wheel Steer

Model	Description
5708-14	Bagger - Fits 40" & 46" Side Discharge
5705-05	42" One-Stage Snowblower - Fits 40" & 46"
5661-07	48" Snowblade - Fits 40" & 46"
5709-04	Rear Weight Box for 40" & 46"
5648-16	Lawn Sweeper w/dump Release
5706-00	Tire Chains 20" x 10"
5671-00	Tire Chains 23" x 9.50"
5672-02	Wheel Weights - Front - 1 pr. w/mtg. hdw. Fits 16" tires
5673-00	Wheel Weights - Rear - 1 pr. w/mtg. hdw. Fits 23" tires
5672-01	Wheel Weights - Front - 1 pr. w/mtg. hdw. Fits 15" tires
5673-02	Wheel Weights - Rear - 1 pr. w/mtg. hdw. Fits 18" & 20" tires

Two Wheel Steer Garden Tractor

Model	Description
5667-04	Sleeve Hitch - w/lift bar Fits 46"
5674-01*	10" One Bottom Moldboard Plow
5675-01*	Cultivator - 7 row - Adj. 6" - 42" width
5676-01*	Disc Harrow 8" & 11" Disc. Adj. width & disc angle
5677-02*	Tiller 5 H.P. Self-Powered - 28" width
5648-16	Lawn Sweeper w/dump Release

*Requires a sleeve hitch.

CONTACT ANY OF THE FOLLOWING DISTRIBUTORS: Parts for: HOMKO - LAWN SCOUT - AMF - TURFMASTER - DYNAMARK - or any other CANADIANA, WESTERN INTERNATIONAL INCORPORATED or NOMA OUTDOOR PRODUCTS INCORPORATED product.

ALABAMA

Automotive Elect. Serv.
415-419 Meridian St.
Huntsville, AL 35801
(205) 539-2131
AL WATS 800-421-1392
*b,c,f,g,h

CALIFORNIA

Billiou's
1343 S. Main
Porterville, CA 93257
(209) 784-4102
CA WATS 800-228-7286
WATS 800-245-5468
FAX (209) 784-4108
(auto)
*b,c,e,f,g,h

COLORADO

Spitzer Ind. Prod.
6601 N Washington
Thornton, CO 80229
(303) 287-3414
FAX (303) 287-0549
(auto)
*b,c,e,f,g,h

FLORIDA

G.L.O. Products Inc.
13201 S. Belcher Rd.
Largo, FL 33643
(813) 530-9723
FL WATS 800-225-5456
FAX (813) 539-8603
(auto)
*c,e,h

Radco Distributors Inc.
4909 Victor St., Box 5459
Jacksonville, FL 32207-0459
(904) 733-7957
FL WATS 800-727-8701
FAX (904) 737-9575
(auto)
*b,c,e,g,h

ILLINOIS

Garmoe Distr. Inc.
2620 N Mannheim Road
Franklin Park, IL 60131
(708) 455-3588
FAX (708) 455-6069
(auto)
*b,c,e,f,g

INDIANA

Thompson Sales & Service
2400 W. Ridge Road
Gary, IN 46408
(219) 980-3282
FAX (219) 980-3283
IN WATS 800-234-1470
*c,f,g,h

IOWA

Bruce Engine
1829 N.W. 86th
Des Moines, IA 50325
(515) 278-5151
WATS 800-747-1829
*b,c,e,f,g,h

KENTUCKY

Auto-Electric
715 W. Hwy 80, Box 671
Somerset, KY 42501
(606) 679-1171
FAX (606) 679-1172
*c,e,f,g,h

Cayce Mill Supply Co.
505 E 1st St.
Hopkinsville, KY 42240
(502) 886-3335
FAX (502) 886-5117
KY WATS 800-242-5296
WATS 800-338-6054
*b,c,f,g,h

Kentucky Engine Service
1003-08 E. Broadway
Louisville, KY 40204
(502) 587-7976
FAX (502) 587-7976
WATS 800-456-1806
*b,c,e,f,g,h

LOUISIANA

United Engine Service, Inc.
11923 Cloverland Ave.
Baton Rouge, LA 70809
(504) 752-2622
FAX (504) 752-2442 LA
WATS 800-342-8679
*c,e,f,g,h

MAINE

Automatic Dist. Inc.
22 Target Industrial Cir.
Bangor, ME 04401
(207) 942-6769
FAX (207) 941-0247
ME WATS 800-423-2238
WATS 800-341-1658

MARYLAND

Center Supply Company
6802 Industrial Dr. #208
Beltsville, MD 20705
(301) 595-0860
FAX (301) 595-0783
*b,c,e,f,g
Kunkel Service Company
6252 Frankford Ave
Baltimore, MD 21206
(301) 377-4008
WATS 800-627-3379
FAX (301) 325-1314
*b,c,e,f,g,h

MICHIGAN

Air Cooled Engine Div.
1116 26th Ave.
Menominee, MI 49858
(906) 863-6332
WATS 800-334-9535
FAX (906) 863-1204
*c,e,f,g,h

MINNESOTA

Hance Distr.
12795 16th Ave. N.
Plymouth, MN 55441
(612) 559-2299
FAX (612) 559-2365
(auto)
*b,c,e,f,g,h

MISSOURI

Gunther's Serv. & Supply
7320 Wornall Road
Kansas City, MO 64114
(816) 523-1952
*a,d,e,f,g,h
Wilson Engine & Parts Inc.
4159 Shoreline Drive
Earth City, MO 63045
(314) 739-1313
WATS 800-873-6722
FAX (314) 739-8767
(auto)
*b,d,e,f,g,h

NEW JERSEY

Power Distributors, Inc.
71 Northfield Ave.
Edison, NJ 08837
(201) 225-4922
FAX (201) 225-2726
*i

NEW YORK

Loegler & Ladd Inc.
3950 Broadway, Box 214
Buffalo, NY 14225
(716) 684-0600
*c,e

Stiefvater Dist.
Clinton Road, Route 12B
New Hartford, NY 13413
(315) 853-5581
FAX (315) 853-5147
NY WATS 800-643-1330 -
DLR ONLY
*c,e,f,g,h

NORTH CAROLINA

Dixie Sales Co. Inc.
Box 1408
Greensboro, NC 27402
(919) 375-7500
WATS 800-753-4943
FAX (919) 274-2758
*b,e,f,g,h

OHIO

American Power Distr.
2430 Tremainsville Rd.
Box 5815
Toledo, OH 43613
(419) 475-7261
FAX (419) 475-4815 (auto
after 5.00 pm)
*b,d,e,f,g,h
Gardner, Inc.
1150 Chesapeake Ave.
Columbus, OH 43212
(614) 488-7951
WATS 800-848-8946
*a,b,d,e,g,h

OKLAHOMA

Original Equipment Inc.
9550 A East 55th Place
Tulsa, OK 74146
(918) 664-4992
WATS 800-645-2031
*a,c,e,f,i

PENNSYLVANIA

Bluemont Co.
11101 Frankstown Road
Pittsburgh, PA 15235
(412) 242-1622
WATS 800-344-1200
FAX (412) 243-5673
(auto)
*b,c,e,f,g,h

SOUTH CAROLINA

Magneto & Electric Service
103 Assembly St.
Columbia, SC 29201
(803) 771-4044
SC WATS 800-922-1118
WATS 800-334-4832
FAX (803) 256-2727
*b,c,e,f,g,h

TENNESSEE

Chilton A/C Engine
319 4th Ave. S.,
Box 150806
Nashville, TN 37201
(615) 254-1634
FAX (615) 242-6618
WATS 800-621-6934
*b,c,e,f,g,h

Acc-Dist.
2103 E. Magnolia Ave.
Box 3577
Knoxville, TN 37917
(615) 524-5359
FAX (615) 524-8263
TN WATS 800-332-9904
WATS 800-343-2403
*c,e,f,g,h

Meadart Engine of Memphis
4365 Old Lamar
Memphis, TN 38118
(901) 795-4365
WATS 800-338-9379
(OS)
*c,e,g,h

TEXAS

Marr Bros. Inc.
423 E. Jefferson
Dallas, TX 75203
(214) 948-7387
FAX (214) 946-6259
(auto)
*a,d,e,f,g,h
Midland Small Engine Sales
106 Carlton, Box 4215
Midland, TX 79704
(915) 684-5553
*b,d,e,f,g,h

VIRGINIA

Norva Small Engines
7941 Wellington Dr.
Manassas, VA 22110
(703) 369-3387
FAX (703) 369-9788
WATS 800-444-9390
*c,e,f,g,h

RBI Corporation
101 Cedar Ridge Rd.
Richmond, VA 23227
(804) 550-2210
FAX (804) 550-2386
WATS 800-825-8530
*b,c,f,g,h

WASHINGTON

Pacific A/C Engine
4111 Airport Way S.
Seattle, WA 98108
(206) 623-6906
FAX (206) 622-1736
c,e,f,h

WISCONSIN

Praetke A/C Engine
4050 N. 128th St
Brookfield, WI 53005
(414) 781-7010
FAX (414) 781-9546
*c,e,f,g,h

Wiggert Parts Ctr.
219 South 3rd Street
La Crosse, WI 54602
(608) 784-4715
FAX (608) 784-4736
*c,e,f,g,h

CANADA

Noma Outdoor Prod., Inc.
155 Orenda Rd.
Brampton, Ontario L6W
1W3
(416) 457-1433
*i

Rev. 1/03/91

(*) General Information Codes:
(a) Advance Payment Required
(b) Accepts Credit Cards
(c) C.O.D. okay
(d) No C.O.D.
(e) Accessories Available
(f) Briggs & Stratton dealer or distributor
(g) Tecumseh/Peerless dealer or distributor
(h) Foote dealer or distributor
(i) Dealer sales only, contact for closest dealer.