

REPAIR PARTS MANUAL

39" - 12 H.P. LAWN TRACTOR

MODEL B3912-160

TWO YEAR LIMITED WARRANTY

For two (2) years from date of purchase by the first consumer for residential use (thirty (30) days commercial use), NOMA Outdoor Products Incorporated warrants that it will replace free of charge, including labor, any original part of any NOMA Outdoor Products Incorporated product found to be defective by any authorized Service Dealer or the factory, except the battery which is warranted for ninety (90) days from date of purchase.

This warranty does not cover engine, transmission, transaxle or differential (these items are covered by their manufacturer's own warranty). This warranty does not cover parts that have failed due to normal wear or parts that have failed subject to misuse or abuse. Transportation of the unit or part to and from an authorized Service Dealer or factory is the responsibility of the owner.

A step by step explanation as to what procedure should be followed for this warranty is:

1. If a part becomes defective, contact the store where the unit was purchased for the name and address of the authorized Service Dealer nearest to you.
2. If you cannot locate an authorized Service Dealer, write Service Department of NOMA Outdoor Products Incorporated for the name and address of the authorized Service Dealer in your area or call the Service Department at 1-901-422-1690.
3. Return the defective product, along with proof of purchase to such authorized Service Dealer for replacement of any defective part where covered by this warranty.

There is no other express warranty. Implied warranties, including those of merchantability and fitness for a particular purpose are limited to two (2) years from date of purchase. Liability for incidental or consequential damages are excluded.

Some states do not allow limitations on how long an implied warranty lasts, so the above limitation may not apply to you. Some states do not allow the exclusion of incidental or consequential damages, so the above exclusion may not apply to you. This warranty gives you specific legal rights, and you may have other rights which vary from state to state.

NOMA Outdoor Products Incorporated

Caller 8000

Jackson, TN 38308-8000

UNIT PARTS AND SERVICE

This manual contains instructions for safety, assembly and maintenance. Read this manual carefully and completely so that you will know proper assembly, use and care of your unit. Also fill in and mail the registration card packed with the unit. For service other than covered in this manual, contact an authorized service dealer. A nationwide parts and service organization has been established to provide locally available parts and service. A list of authorized parts distributors has been included in this manual. When ordering repair parts, always give the following information: 1. The Part Name; 2. The Part Number; 3. The Quantity desired; 4. The Full (eight digit) Model Number of the unit. The model number will be found on a plate attached to the unit.

Look for this symbol.



It means - ATTENTION! BECOME ALERT! A HAZARD TO OPERATOR, BYSTANDER, PROPERTY OR EQUIPMENT MAY EXIST.

NOMA Outdoor Products Incorporated
Caller 8000

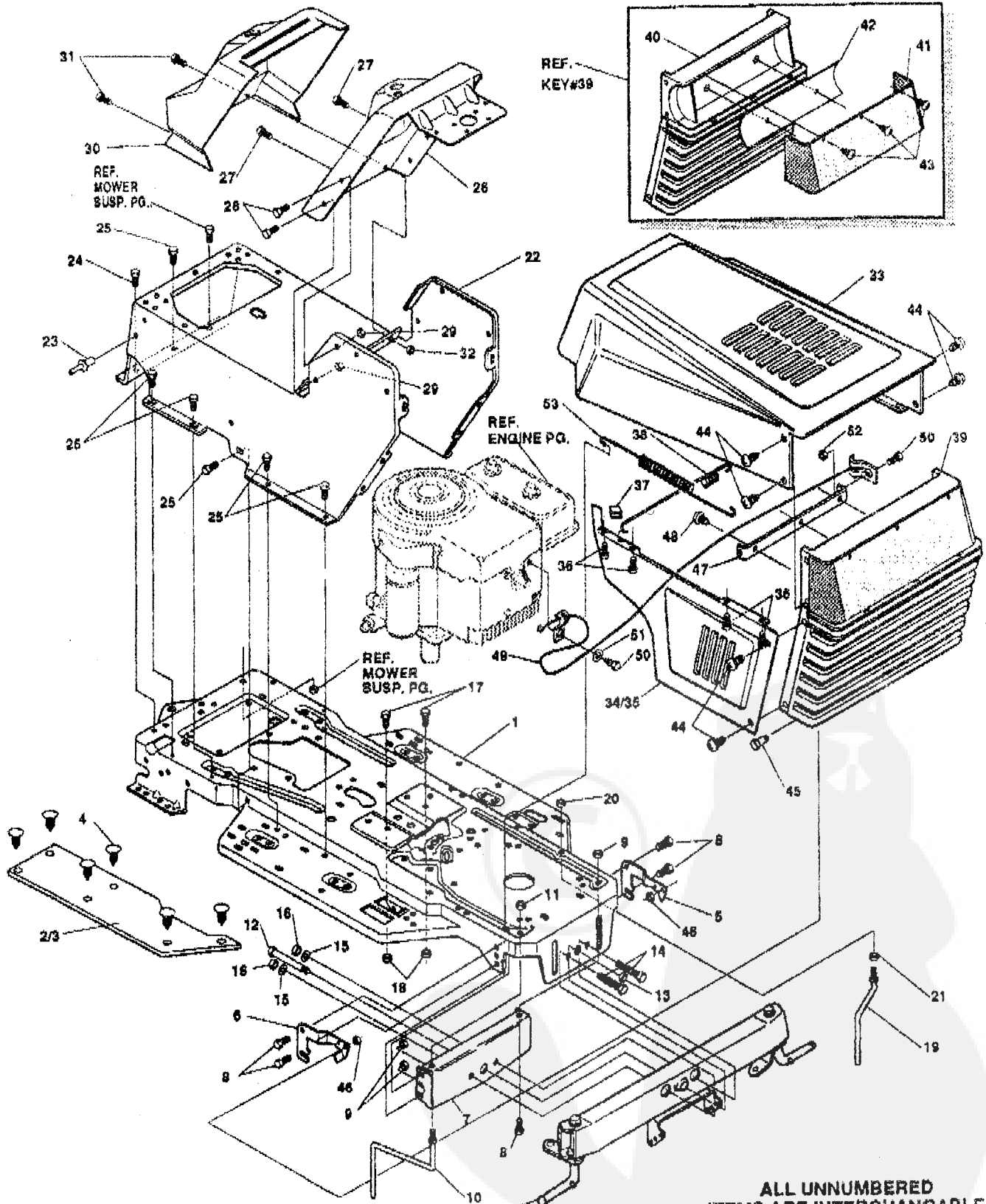
Jackson, TN 38308-8000

Part No. 317280B

4390

35" LAWN TRACTOR MODEL B3912-160

CHASSIS & HOOD ASSEMBLY



NOTE: ALWAYS USE ORIGINAL EQUIPMENT PARTS. Use of service/replacement parts other than original equipment parts may void your warranty.

REF. STEERING PG. FRONT AXLE ASSY.

ALL UNNUMBERED ITEMS ARE INTERCHANGABLE WITH OPPOSITE SIDE

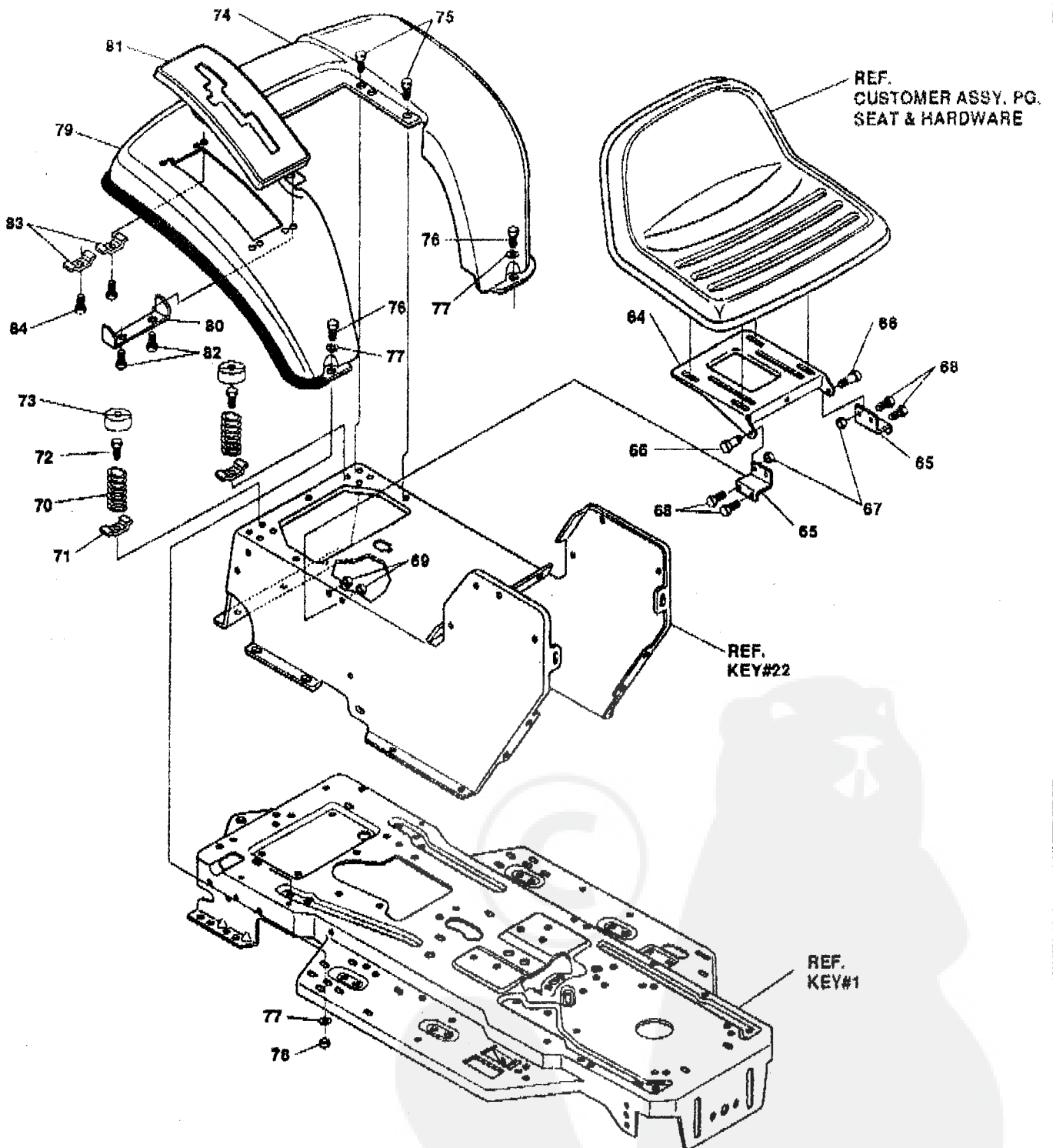
39" LAWN TRACTOR MODEL B3912-160

key#	part#	description	qty.
1	317238	FRAME, MAIN	1
2	310005	FOOTPAD, LH	1
3	310006	FOOTPAD, RH	1
4	300235	FASTENER, RATCHET	12
5	12643	BRKT, GRILLE, L.H.	1
6	12644	BRKT, GRILLE, R.H.	1
7	56361	BRACKET, FRONT AXLE	1
8	056030	SCREW, 5/16-18X.75WDFLLK	5
9	055273	NUT, 5/16-18 HXWDFLLK	5
10	300440	GUIDE, BELT, RIDER	1
11	01498	NUT, 5/16-18 REGHEXCTRLK	1
12	308207	BOLT, 625X2.180 HHS	1
13	0309008	NUT, 1/2-13 REGHCTRLK	1
14	0122207	SCREW, 3/8-16X3.00 HHC	2
15	2483	WASHER, 39IDX1.25DX.07 BELLVIL	2
16	01499	NUT, 3/8-16 REGHXCTRLK	2
17	0120229	SCREW, 5/16-18X.88 HHC	2
18	01498	NUT, 5/16-18 REGHEXCTRLK	2
19	300535	GUIDE, SHORT BELT RIDER	1
20	0124824	NUT, 5/16-18 HEXJAM	1
21	0271190	NUT, 3/8-16 HEXKEPS	1
22	317239	CONSOLE	1
23	46763	RIVET, POP. 187DIAX.450LG	1
24	035497	SCREW, 5/16-18X.50 WAHHTAP	1
25	0995346	SCREW, 1/4-20X.50 WAHHTAP	12
26	315057	DASH	1
27	0995346	SCREW, 1/4-20X.50 WAHHTAP	2
28	0995338	SCREW, 1/4-20X.63 HHWATAP	4
29	050352	NUT, 1/4-20 WDFLLK TOPLOCK	4
30	314953	DASH	1
31	0995338	SCREW, 1/4-20X.63 HHWATAP	2
32	050352	NUT, 1/4-20 WDFLLK TOPLOCK	2
33	317280	HOOD	1
34	57483	PANEL, SIDE HOOD, LH	1
35	57482	PANEL, SIDE HOOD, RH	1
36	01503	SCREW, 10-16X.50 WAHHTAP	8
37	58143	CLIP, U-TYPE, TINNEMAN	2
38	57470	SPRING, HOOD SINGLE CYL	1
39	303054	ASSY, GRILLE	1
40	303052	GRILLE	1
41	57473	LENS	1
42	70566	DECAL, REFLECTOR, GRILL	1
43	057796	SCREW, #6 X.50 PLASTITE	3
44	049050	SCREW, 1/4-10X.75PHPNTAP	8
45	36149	BOLT, 375X.500 HHS 5/16-18	2
46	01498	NUT, 5/16-18 REGHEXCTRLK	2
47	9195	BRACKET, GRILLE	1
48	049050	SCREW, 1/4-10X.75PHPNTAP	3
49	310749	LANYARD, HOOD	1
50	0180018	SCREW, 1/4-20X.82 HHC	2
51	0120380	WASHER, REGSPTLK.263X.49X.07	1
52	01502	NUT, 1/4-20 REGHEXCTRLK	1
53	57478	SPRING, HOOD LATCH	1
54	317841	OPERATOR'S MANUAL (NOT ILLUSTRATED)	1
55	317280	PARTS MANUAL (NOT ILLUSTRATED)	1

0 indicates STANDARD HARDWARE ITEMS.

39" LAWN TRACTOR MODEL B3912-160

CHASSIS & HOOD ASSEMBLY



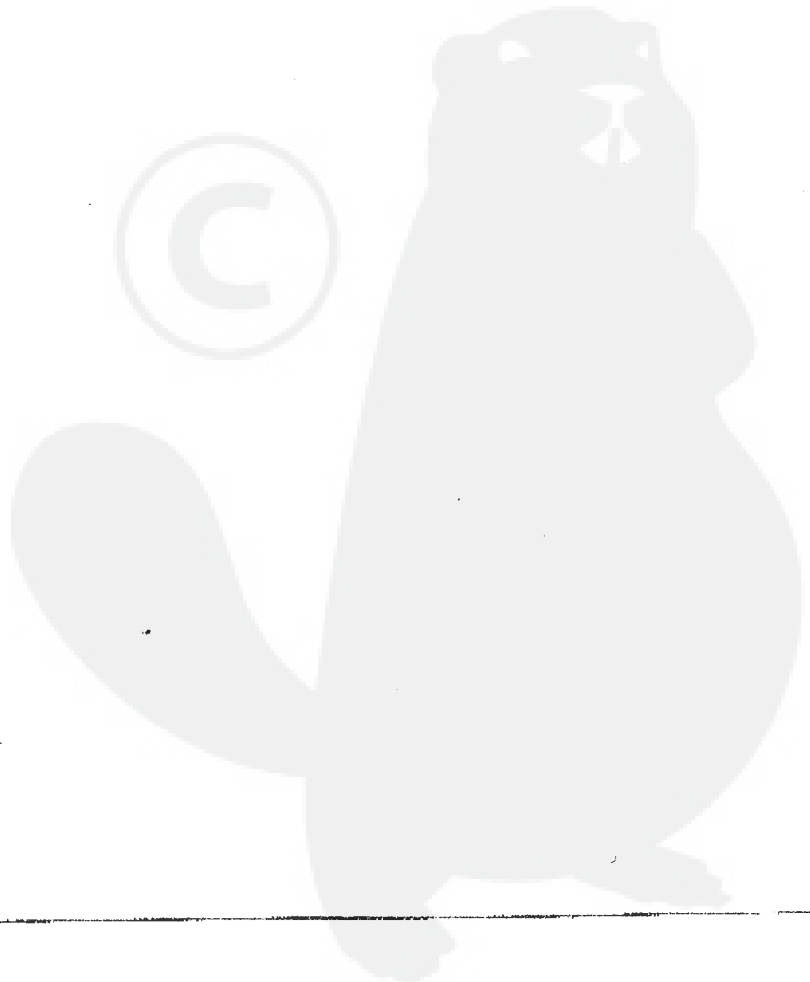
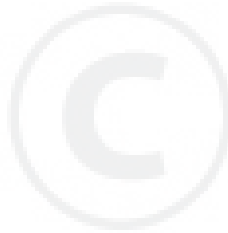
NOTE: ALWAYS USE ORIGINAL EQUIPMENT PARTS. Use of service/replacement parts other than original equipment parts may void your warranty.

ALL UNNUMBERED ITEMS ARE INTERCHANGABLE WITH OPPOSITE SIDE

39" LAWN TRACTOR MODEL B3912-160

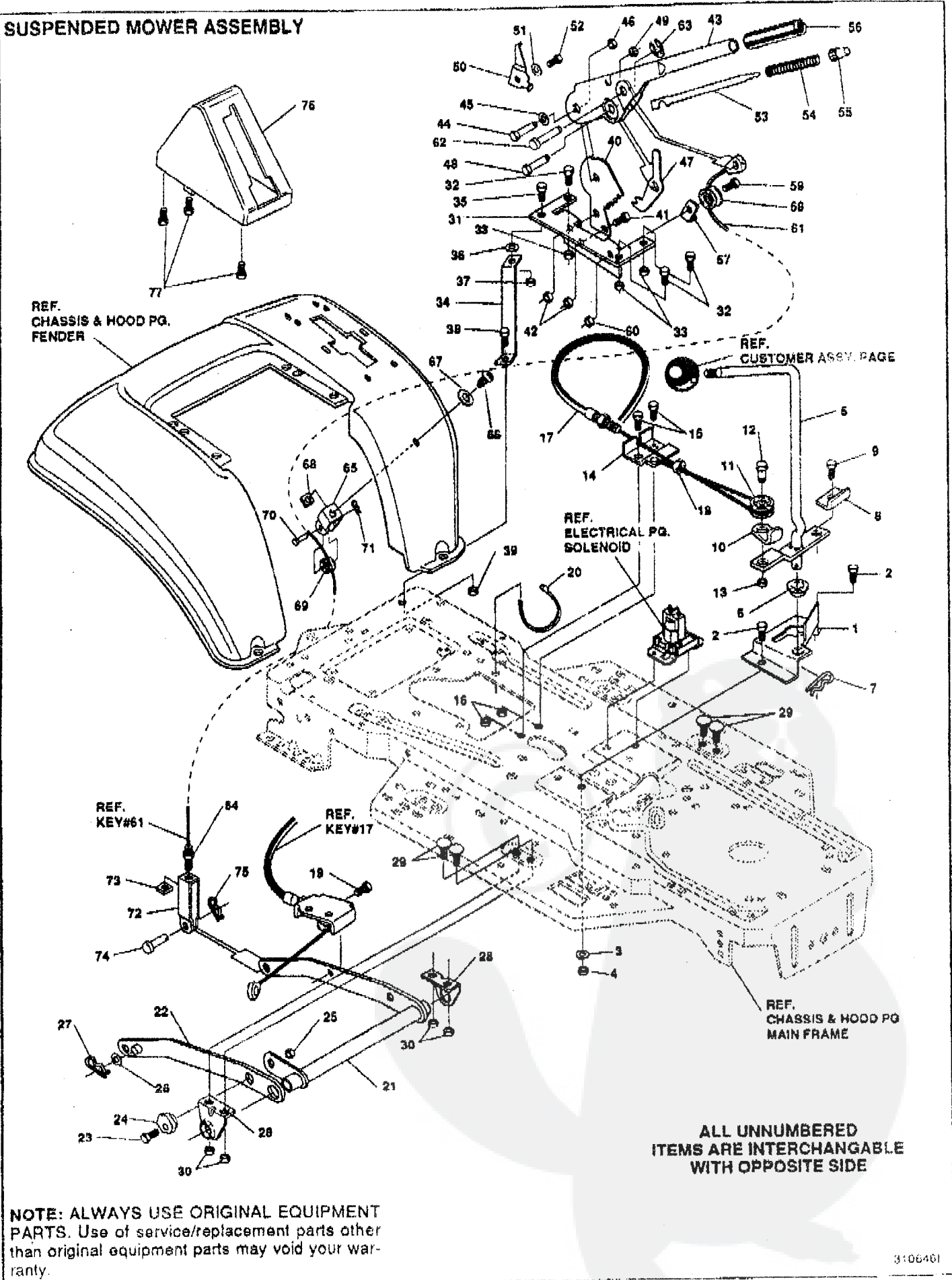
key#	part#	description	qty.
64	304761	PLATE, SEAT	1
65	317244	BRACKET, SEAT SUPPORT	2
66	20507	BOLT, .437X .156 HSSH 5/16-18	2
67	01498	NUT, 5/16-18 REGHEXCTRLK	2
68	048901	SCREW, 5/16-18X .63 HHC	4
69	01498	NUT, 5/16-18 REGHEXCTRLK	4
70	57153	SPRING, SEAT 2.63LG. 1.49OD	2
71	1341	CLAMP, SPRING 1.17"ID	2
72	044811	SCREW, 1/4-20X .75 HXWATAP	2
73	56907	COVER, SEAT SPRING 1.51DX1.0LG	2
74	317245	FENDER	1
75	0995346	SCREW, 1/4-20X .50 WAHHTAP	4
76	0122017	SCREW, 5/16-18X1.00 HHC	2
77	0446363	WASHER, FLAT .375X .88X.082	4
78	01498	NUT, 5/16-18 REGHEXCTRLK	2
79	55021	TRIM, STRIP, BLACK	77.5'
80	313213	BRKT COVER FNDR SHIFT	1
81	311209	COVER PLASTIC LF FOOTE 4360-6	1
82	0311331	SCREW, 1/4-15X.44/.53 HILOHWA	2
83	1341	CLAMP, SPRING 1.17"ID	2
84	0311331	SCREW, 1/4-15X.44/.53 HILOHWA	2

0 STANDARD HARDWARE ITEMS



39" LAWN TRACTOR MODEL B3912-160

SUSPENDED MOWER ASSEMBLY



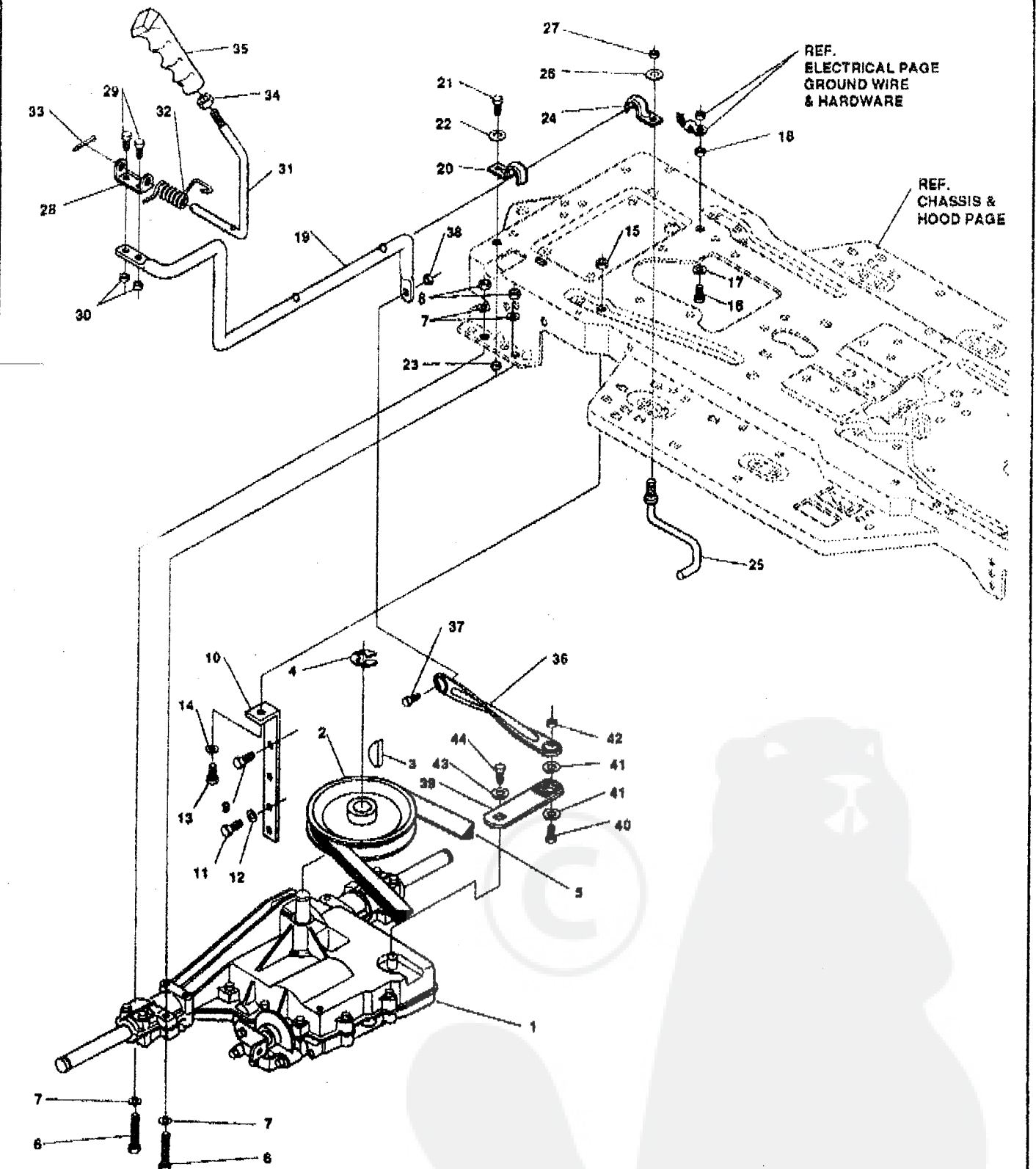
39" LAWN TRACTOR MODEL B3912-160

key#	part#	description	qty.
1	9402	BRACKET,CLUTCH ENGAGE LEVER	1
2	180079	◊ SCREW, 5/16-18X1.00 HHC	2
3	120399	WASHER, FLAT .344X.69X.065	2
4	1498	◊ NUT, 5/16-18 REG HEX CTRLK	2
5	304791	ASSY, CLUTCH LEVER	1
6	50148	BEARING, FL. 500DX.828OD	1
7	8280	PIN, HAIR .091 DIA X 1.66LG	1
8	318341	BRACKET, SWITCH ENGAGE	1
9	35498	◊ SCREW, 5/16-18X.75 WAHHTAP	1
10	1288	BRKT, CABLE RETAINER	1
11	39298	PULLEY, .906X.305 NYLON	1
12	58336	BOLT, .375X.375 HSH 1/4-20	1
13	1502	◊ NUT, 1/4-20 REG HEX CTRLK	1
14	9397	BRKT, FRAME CABLE	1
15	180020	◊ SCREW, 1/4-20X.75 HHC	2
16	1502	◊ NUT, 1/4-20 REG HEX CTRLK	2
17	301503	ASSY, CABLE, BLADE ENGAGE	1
18	120613	◊ NUT, 1/4-28 HJAM	1
19	35498	◊ SCREW, 5/16-18X.75 WAHHTAP	1
20	57444	TIE, CABLE BLACK NYLON	1
21	9185	ASSY, REAR LIFT	1
22	9186	ASSY, LINK, RIGHT SIDE	1
23	180079	◊ SCREW, 5/16-18X1.00 HHC	1
24	58247	ADJUSTING NUT	1
25	1498	◊ NUT, 5/16-18 REG HEX CTRLK	1
26	417098	WASHER, FLAT .38X1.06X.095	2
27	8280	PIN, HAIR .091 DIA X 1.66LG	2
28	9117	BRKT, REAR, HANS, SUSP.	2
29	126211	BOLT, 5/16-18X.75 CARR	4
30	1498	◊ NUT, 5/16-18 REG HEX CTRLK	4
31	58333	BRACKET, HGT/ADJUST SUPPORT	1
32	180077	◊ SCREW, 5/16-18X.75 HHC	3
33	1498	◊ NUT, 5/16-18 REG HEX CTRLK	3
34	317246	BRACE, FENDER	1
35	180079	◊ SCREW, 5/16-18X1.00 HHC	1
36	45802	WASHER, FLAT .333X.87X.119	1
37	1498	◊ NUT, 5/16-18 REG HEX CTRLK	1
38	180079	◊ SCREW, 5/16-18X1.00 HHC	1
39	1498	◊ NUT, 5/16-18 REG HEX CTRLK	1
40	301238	QUADRANT, HEIGHT ADJUST	1
41	180077	◊ SCREW, 5/16-18X.75 HHC	2
42	1498	◊ NUT, 5/16-18 REG HEX CTRLK	2
43	9788	HANDLE, LIFT SHORT BLK	1
44	300171	BOLT, .500X.270 HSH 5/16-18	1
45	996418	WASHER, FLAT .306X.75X.024	1
46	44108	◊ NUT, 5/16-18 HWDFL CTRLK	1
47	301239	PAWL, HEIGHT ADJUST	1
48	300171	BOLT, .500X.270 HSH 5/16-18	1
49	44108	◊ NUT, 5/16-18 HWDFL CTRLK	1
50	9435	POINTER Z-PL	1
51	138479	WASHER, EXLIE .195X.41X.03	1
52	35287	◊ SCREW, #8-32X.38 HWAT	1
53	303027	ROD, ACTUATOR SHORT	1
54	58328	SPRING, HEIGHT ADJUST	1
55	58325	KNOB, HGT ADJ PUSH BUTTON	1
56	58329	GRIP, .750 OD W/HOLE	1
57	9149	BRKT, CABLE RETAINER	1
58	39298	PULLEY, .906X.305 NYLON	1
59	58336	BOLT, .375X.375 HSH 1/4-20	1
60	1502	◊ NUT, 1/4-20 REG HEX CTRLK	1
61	300341	CABLE, LIFT 21.78 F-5 20X8-8	1
62	300310	PIN, CLEVIS .310DIA+.475LG	1
63	300311	RING, RET E .31X.24	1
64	120375	◊ NUT, 1/4-20 REG HEX	1
65	9239	CLEVIS	1
66	439455	◊ SCREW, 5/16-18X.56 PHPNMA BKPH	1
67	301551	WASHER, .344DIA X 1.50DX.09 CU BPH	1
68	120373	◊ NUT, 5/16-18 SQ	1
69	39298	PULLEY, .906X.305 NYLON	1
70	300317	PIN, CLEVIS .38 DIA X 1.00 LG	1
71	8280	PIN, HAIR .091 DIA X 1.66LG	1
72	9405	CLEVIS, LIFT CABLE	1
73	120372	◊ NUT, 1/4-20 REG HEX	1
74	39522	PIN CLEVIS .312 X .812	1
75	121222	PIN, COTTER .098X.088X.75LG	1
76	300335	LIFT COVER-39"	1
77	300340	◊ SCREW, #10 X .75 HHPLAST	3

◊ STANDARD HARDWARE ITEMS

39" LAWN TRACTOR MODEL B3912-160

MOTION DRIVE ASSEMBLY



NOTE: ALWAYS USE ORIGINAL EQUIPMENT PARTS. Use of service/replacement parts other than original equipment parts may void your warranty.

ALL UNNUMBERED ITEMS ARE INTERCHANGABLE WITH OPPOSITE SIDE

317298E

39" LAWN TRACTOR MODEL B3912-160

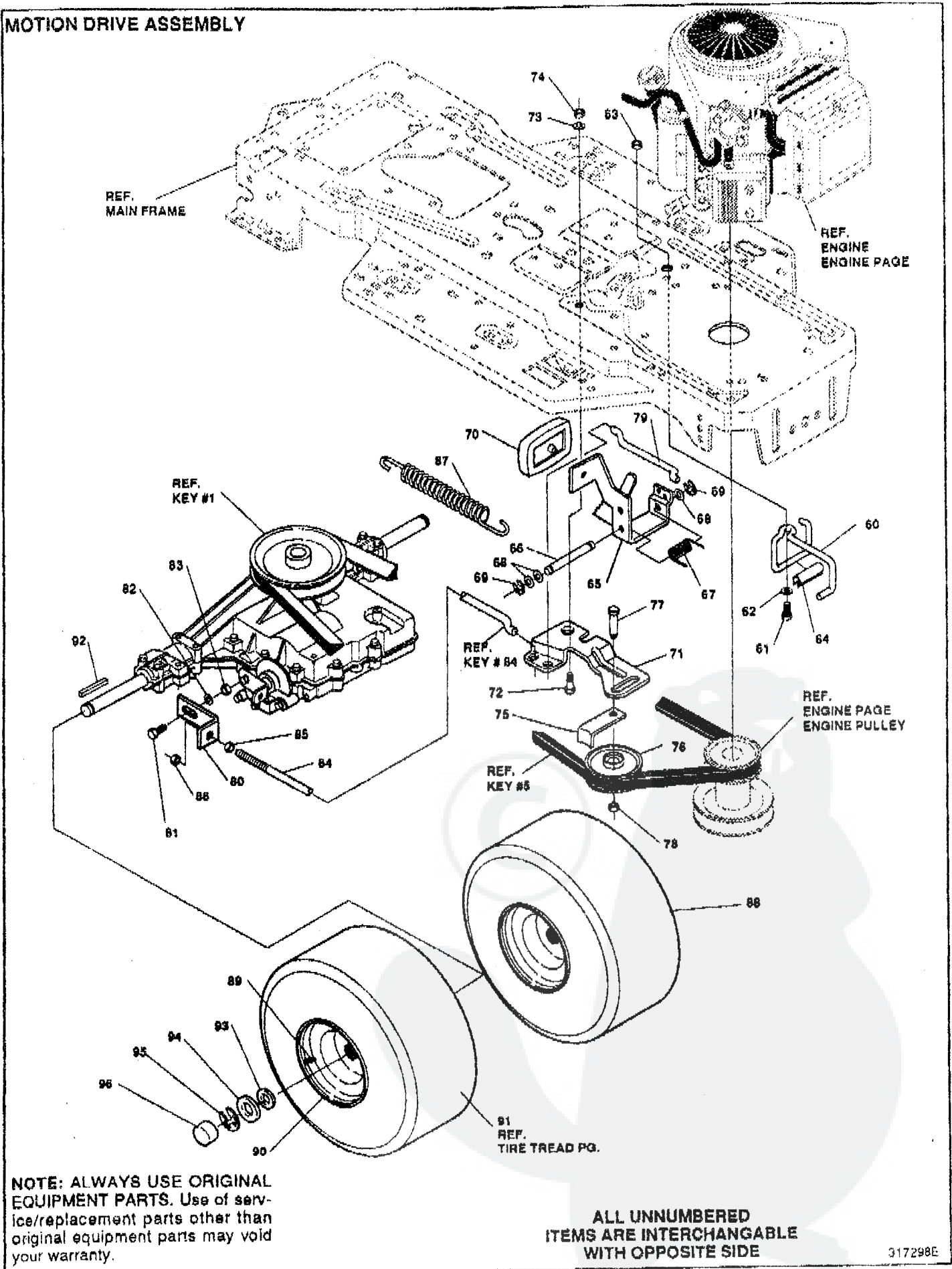
key#	part#	description	qty.
1	*	TRANSAXLE	1
2	302745	PULLEY	1
3	3021	KEY, WDRF 606 .750X.187X.312	1
4	22053	RING, RETEX .58X.04TRU5100-62	1
5	57214	BELT	1
6	◊ 180089	SCREW, 5/16-18X2.25 HHC	4
7	◊ 120393	WASHER, FLAT .344X .69X.065	8
8	◊ 1498	NUT, 5/16-18 REGHEXCTRLK	4
9	◊ 50947	SCREW, 3/8-16X1.25 WAHHTAP	1
10	12632	MF STABILIZER BRKT P920,F4150	1
11	◊ 35498	SCREW, 5/16-18X .75 WAHHTAP	2
12	◊ 120638	WASHER, HVSP TLK .328X.60X.09	2
13	◊ 122017	SCREW, 5/16-18X1.00 HHC	1
14	◊ 120393	WASHER, FLAT .344X .69X.065	1
15	◊ 1498	NUT, 5/16-18 REGHEXCTRLK	1
16	◊ 120228	SCREW, 5/16-18X .63 HHC	1
17	◊ 138538	WASHER, REGINTLK.320X.61X.03	1
18	◊ 1498	NUT, 5/16-18 REGHEXCTRLK	1
19	319111	LEVER,SHIFT,LWR	1
20	310348	CLIP-SHIFT LEVER .62 ROD	1
21	◊ 180077	SCREW, 5/16-18X .75 HHC	1
22	◊ 996416	WASHER, FLAT .391X1.00X.125	1
23	◊ 1498	NUT, 5/16-18 REGHEXCTRLK	1
24	310348	CLIP-SHIFT LEVER .62 ROD	1
25	57259	UIDE, BELT 5/16-18THD	1
26	◊ 996416	WASHER, FLAT .391X1.00X.125	1
27	◊ 1498	NUT, 5/16-18 REGHEXCTRLK	1
28	310356	PIVOT BRKT LEVER	1
29	◊ 180018	SCREW, 1/4-20X .62 HHC	2
30	◊ 1502	NUT, 1/4-20 REGHEXCTRLK	2
31	309835	LEVER, SHIFT UPPER SF 1/2-13TH	1
32	310265	SPRING, TORS. .56X.95X.095	1
33	137185	PIN, COTTER .125 DIA X1.00LG	1
34	◊ 120238	NUT, 1/2-13 HEXJAM	1
35	306690	HANDLE 1/2-13 MOLDED	1
36	314983	LINK TIE ROD SHIFTER	1
37	◊ 180124	SCREW, 3/8-16X1.25 HHC	1
38	◊ 1499	NUT, 3/8-16 REGHXCTRLK	1
39	309637	BRACKET,SHIFT	1
40	◊ 180124	SCREW, 3/8-16X1.25 HHC	1
41	120394	WASHER, FLAT .406X .81X.065	2
42	◊ 1499	NUT, 3/8-16 REGHXCTRLK	1
43	◊ 57157	WASHER, 750X.250 SP-TRANSAXLE	1
44	◊ 56255	SCREW, 1/4-28X .75 NYLHHC	1

* Contact your nearest transaxle dealer.

◊ Indicates STANDARD HARDWARE ITEMS.

39" LAWN TRACTOR MODEL B3912-160

MOTION DRIVE ASSEMBLY



NOTE: ALWAYS USE ORIGINAL EQUIPMENT PARTS. Use of service/replacement parts other than original equipment parts may void your warranty.

ALL UNNUMBERED ITEMS ARE INTERCHANGABLE WITH OPPOSITE SIDE

39" LAWN TRACTOR MODEL B3912-160

key#	part#	description	qty.
60	58356	GUIDE-BELT/DRAGLINK	1
61	◇ 180079	SCREW, 5/16-18X1.00 HHC	1
62	◇ 45602	WASHER, FLAT .333X .87X.119	1
63	◇ 1498	NUT, 5/16-18 REGHEXCTRLK	1
64	303278	PLASTIC EXTRUSION-BELT GUIDE	1
65	300308	PEDAL ASSY, BRAKE/CLUTCH LF	1
66	57196	ROD, PIVOT .50 OD+4.44LG	1
67	57847	SPRING, BRAKE PEDAL	1
68	◇ 2968	WASHER, FLAT .504X .75X.059	3
69	20864	RING, RET E .38X.04TRU5133-50	2
70	48160	PAD, CLUTCH BRAKE W/PRINTING	1
71	300154	ARM, IDLER TRACTION DR. LF	1
72	300793	BOLT, .625X .135 HHSH 5/16-18	1
73	◇ 45602	WASHER, FLAT .333X .87X.119	1
74	◇ 1498	NUT, 5/16-18 REGHEXCTRLK	1
75	39659	RETAINER, STRAP BELT	1
76	35374	PULLEY, IDLER V4L 3.06X .62	1
77	45892	BOLT, 3/8-16X1.50 CARR	1
78	◇ 1499	NUT, 3/8-16 REGHXCTRLK	1
79	57204	ROD, CLUTCH	1
80	57217	BRACKET, BRAKE ROD	1
81	20507	BOLT, .437X .156 HHSH 5/16-18	1
82	◇ 45602	WASHER, FLAT .333X .87X.119	1
83	◇ 1498	NUT, 5/16-18 REGHEXCTRLK	1
84	57203	ROD, BRAKE LT 920 LF 22.25	1
85	◇ 271184	NUT, 5/16-18 HEXKEPS	1
86	◇ 1498	NUT, 5/16-18 REGHEXCTRLK	1
87	56359	SPRING, CLUTCH .113X.750X6.75	1
88	*	TIRE & RIM, PU 20X8-8 TURF SILVER880	2
89	24167	VALVE STEM	
90	317297	RIM, WHEEL 20X8.00	
91		REFER TO TIRE TREAD PAGE	
92	52928	KEY	2
93	642	WASHER, FLAT .755X1.31X.075	4
94	42815	WASHER, FLAT .755X1.59X.07	2
95	36625	RING, RETEX	2
96	40394	CAP, HUB	2

* Order Individual Parts.

◇ Indicates STANDARD HARDWARE ITEMS.

39" LAWN TRACTOR MODEL B3912-160

STEERING ASSEMBLY

REF. CUSTOMER ASSY. PG. STEERING WHEEL & HARDWARE

Ref. CHASSIS & HOOD PG DASH

REF. TO CHASSIS & HOOD PG MAIN FRAME

REFER TO CHASSIS & HOOD PG. FRONT AXLE SUPPORT

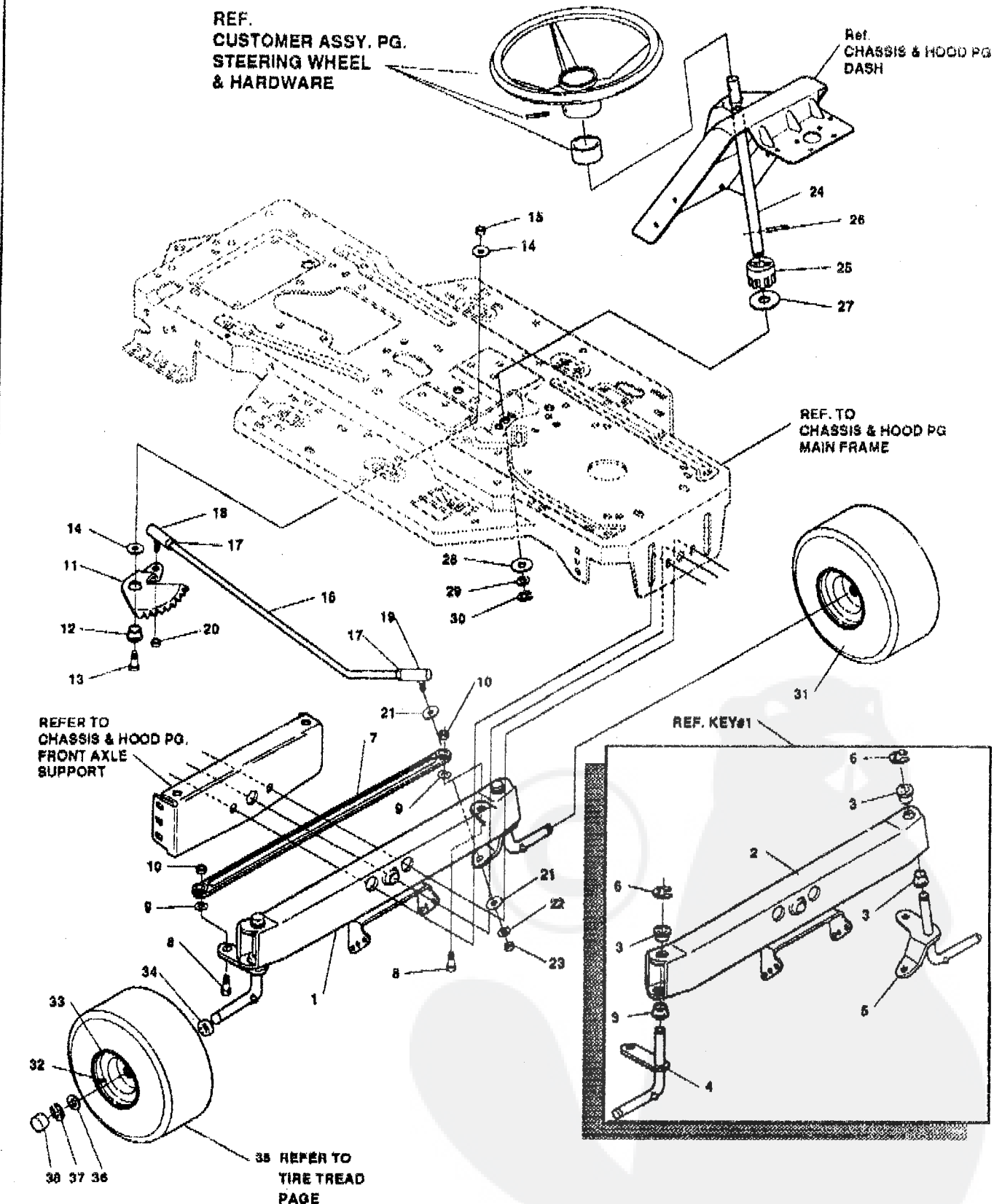
REF. KEY#1

35 REFER TO TIRE TREAD PAGE

ALL UNNUMBERED ITEMS ARE INTERCHANGABLE WITH OPPOSITE SIDE

NOTE: ALWAYS USE ORIGINAL EQUIPMENT PARTS. Use of service/replacement parts other than original equipment parts may void your warranty.

317299D



39" LAWN TRACTOR MODEL B3912-160

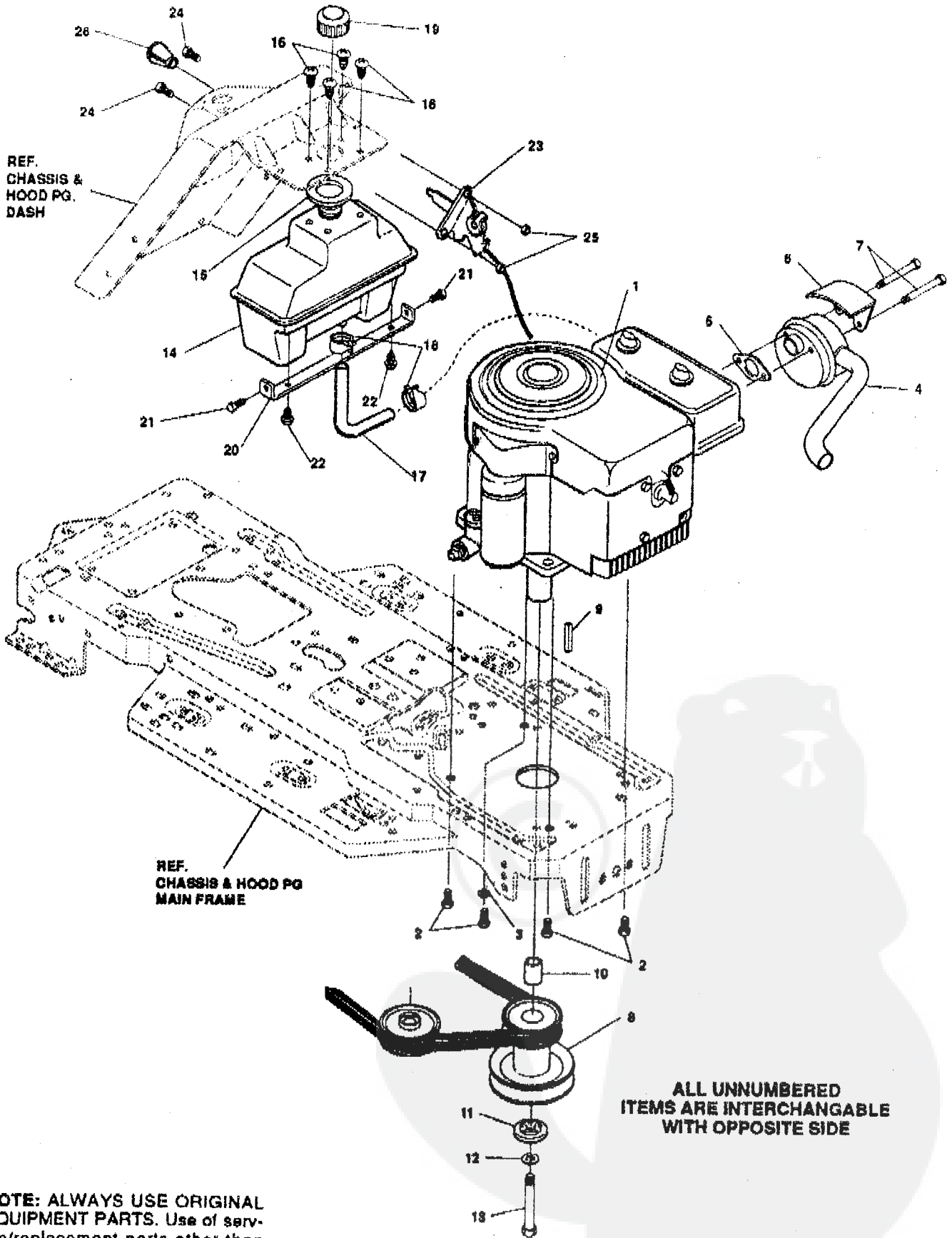
key#	part#	description	qty.
1	*	ASSY.AXLE FRONT	1
2	300272	AXLE, FRONT	1
3	52407	SPINDLE BEARING	4
4	302926	SPINDLE RH	1
5	315886	SPINDLE LH	1
6	36625	RING, RETEX .57X.05TRU5133-75	2
7	304590	TIE ROD ASSY 19.81LG	1
8	0180128	SCREW, 3/8-16X1.75 HHC	2
9	120382	WASHER, REGSPTLK.393X.68X.10	2
10	01499	NUT, 3/8-16 REGHXOTRLK	2
11	58269	SECTOR, STEERING LF	1
12	52406	BRNG,FL ECC.510IDX .998ODX .56	1
13	0180177	SCREW, 1/2-13X1.60 HHC	1
14	22265	WASHER, FLAT .515X1.38X.119	2
15	01500	NUT, 1/2-13 REGHXOTRLK	1
16	58291	STEERING LINK	1
17	0124925	NUT, 3/8-24 REGHEXJAM	2
18	57158	BALL JOINT 3/8 THD SHORT STUD	1
19	21275	BALL JOINT 3/8 TH'D LONG STUD	1
20	046692	NUT, 3/8-24 WDFLHLK	1
21	120388	WASHER, FLAT .531X1.06X.095	2
22	120382	WASHER, REGSPTLK.393X.68X.10	1
23	0120377	NUT, 3/8-24 REGHEX	1
24	58243	SHAFT, STEERING LF	1
25	58244	PINION, STEERING LF	1
26	58274	PIN,DOWEL .2500 OD+1.75	1
27	301410	BRNG, FL .752IDX1.061ODX .24	1
28	301398	WASHER, FORMED1.135X1.53X.12	1
29	21682	WASHER, FLAT .765X1.25X.042	1
30	36625	RING, RETEX .57X.05TRU5133-75	1
31	*	TIRE & RIM, PU 15X6.0X6 SILVER 880	2
32	24187	VALVE STEM	1
33	315676	WHEEL W/BRG. W/ZIRK	1
34	39979	BEARING,FL1.38OD+.753ID	1
35	301140	REFER TO TIRE TREAD PAGE	1
36	642	WASHER, FLAT .755X1.31X.075	4
37	36625	RING, RETEX .57X.05TRU5133-75	2
38	40394	CAP. 1.600ID X 7/8LG HUB	2

* Order Individual Parts.

0 Indicates STANDARD HARDWARE ITEMS.

39" LAWN TRACTOR MODEL B3912-160

ENGINE & CONTROL ASSEMBLY



NOTE: ALWAYS USE ORIGINAL EQUIPMENT PARTS. Use of service/replacement parts other than original equipment parts may void your warranty.

ALL UNNUMBERED ITEMS ARE INTERCHANGABLE WITH OPPOSITE SIDE

314973C

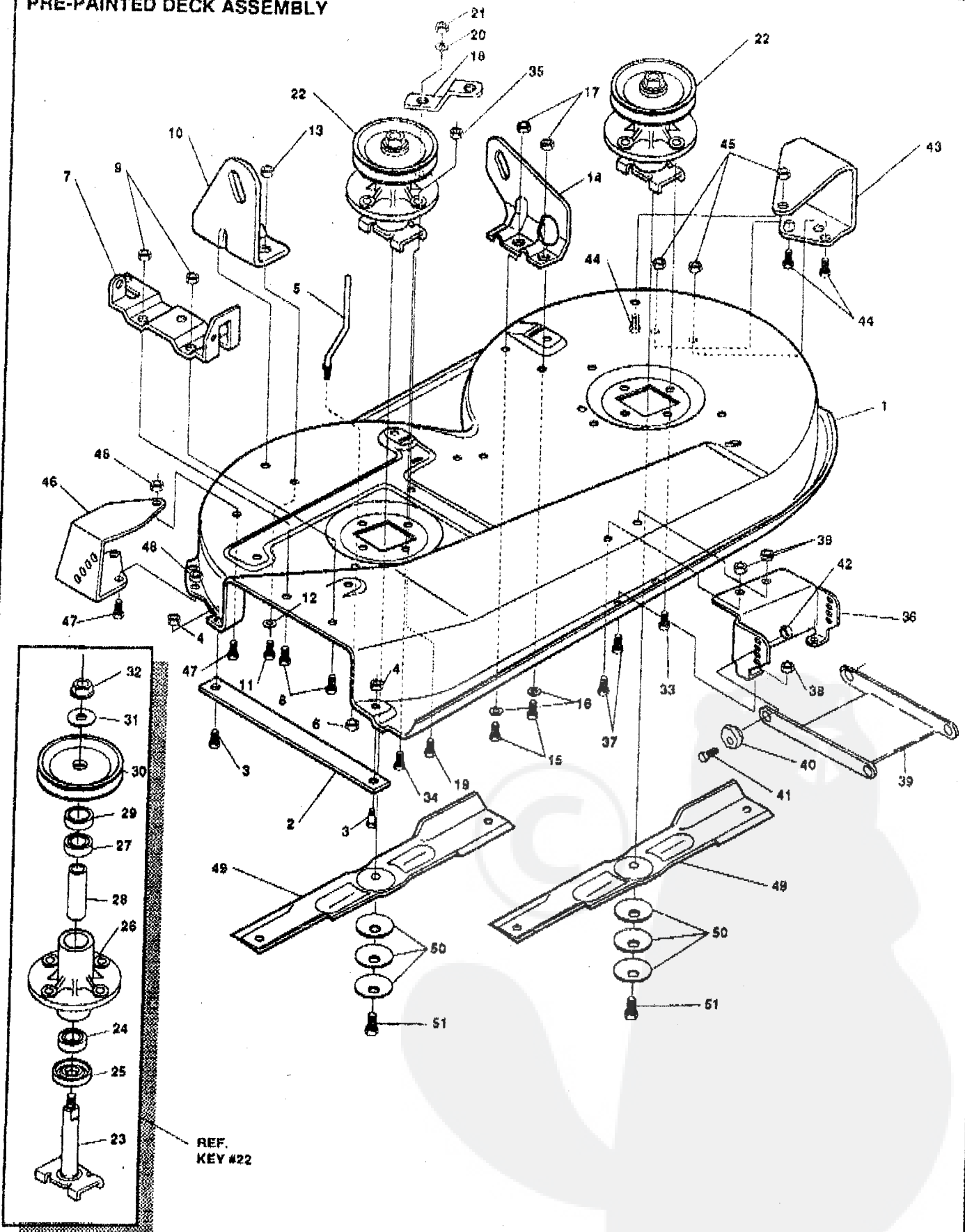
39" LAWN TRACTOR MODEL B3912-160

key#	part#	description	qty.
1	ENGINE	12 HP B&S I/C (SEE ENGINE MANUAL)	1
2	050847	SCREW, 3/8-16X1.25 WAHHTAP	4
3	0138489	WASHER, EXLK .384X.69X.04	1
4	301870	MUFFLER, 10-12 HP WTUBE FR EXH	1
5	46708	GASKET, MUFFLER	1
6	54767	SHIELD, HEAT	1
7	0173063	SCREW, 5/16-18X3.50 HHC	2
8	58361	PULLEY ASSY, 4.75OFFS 5.5DIA	1
9	57791	KEY, SQUARE .250SQX5.00LG	1
10	304246	SPACER, 1.01X1.484 ENGIN PULLEY	1
11	056431	WASHER, .980IDX1.38ODX.437PILOT	1
12	0120383	WASHER, REGSPTLK.459X.78X.12	1
13	0428644	SCREW, 7/16-20X5.00 HHC	1
14	314989	TANK, FUEL	1
15	54885	PAD, FUEL TANK	1
16	049050	SCREW, 1/4-10X .75PHPNTAP	4
17	47452	GAS LINE .25ID	13'
18	48672	CLAMP, FUEL LINE	2
19	46704	GAS CAP 1-1/2-7 THD	1
20	1208	BRACKET, FUEL TANK	1
21	095346	SCREW, 1/4-20X.50 WAHHTAP	2
22	49050	SCREW, 1/4-10X.75 PHPNTAP	2
23	56534	CONTROL, THROTTLE LF 12HP 20.5	1
24	0159843	SCREW, 10-24X .63PHPNMA	2
25	0271166	NUT, #10-24 HEXKEPS	2
26	50607	KNOB, ROUND THROTTLE	1

◇ Indicates STANDARD HARDWARE ITEMS.

39" LAWN TRACTOR MODEL B3912-100

PRE-PAINTED DECK ASSEMBLY



NOTE: ALWAYS USE ORIGINAL EQUIPMENT PARTS. Use of service/replacement parts other than original equipment parts may void your warranty.

ALL UNNUMBERED ITEMS ARE INTERCHANGABLE WITH OPPOSITE SIDE

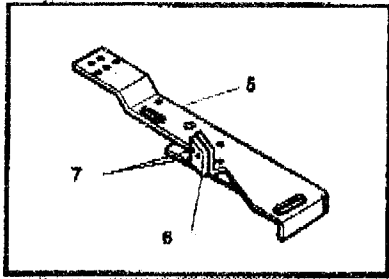
39" LAWN TRACTOR MODEL B3912-160

key#	part#	description	qty.
1	317325	DECK,39"SD MOWER	1
2	57314	BAR, SKID	1
3	126216	BOLT, 5/16-18X .75 CARR	2
4	01498	NUT, 5/16-18 REGHEXCTRLK	2
5	57318	GUIDE, BELT 5/16-18 THD	1
6	01498	NUT, 5/16-18 REGHEXCTRLK	1
7	57360	BRACKET, CHUTE	1
8	0120834	SCREW, 5/16-18X .50 HHC	2
9	01498	NUT, 5/16-18 REGHEXCTRLK	2
10	58250	LIFT BRACKET, REAR,RH	1
11	0180077	SCREW, 5/16-18X .75 HHC	2
12	120393	WASHER, FLAT .344X .69X.065	2
13	01498	NUT, 5/16-18 REGHEXCTRLK	2
14	58251	BRACKET,DECK LIFTREAR LH	1
15	0180077	SCREW, 5/16-18X .75 HHC	2
16	120393	WASHER, FLAT .344X .69X.065	2
17	01498	NUT, 5/16-18 REGHEXCTRLK	2
18	315302	BRACKET, IDLER SUPPORT	1
19	0300345	SCREW, 5/16-18X1.38 WATAP	1
20	120393	WASHER, FLAT .344X .69X.065	1
21	01498	NUT, 5/16-18 REGHEXCTRLK	1
22	56424	QUILL ASSY, 36/39/40/43	2
23	56425	SHAFT/SADDLE 36"	1
24	49562	BRNG, BALL	1
25	50616	DUST SHIELD	1
26	55547	QUILL, CASTING	1
27	49562	BRNG, BALL	1
28	50818	SPACER,3.777LGX.669IDX.860D	1
29	51449	SPACER, .438LGX.932ODX.872ID.	1
30	56390	PULLEY,26/36" QUILL	1
31	56365	SPECIAL WASHER	1
32	01282	NUT, 7/16-20 WDFLLK	1
33	050634	SCREW, 5/16-18X .88 WAHHTAP	6
34	0300345	SCREW, 5/16-18X1.38 WATAP	1
35	01498	NUT, 5/16-18 REGHEXCTRLK	1
36	58315	LIFT SUPPORT FRONT DECK	1
37	0180075	SCREW, 5/16-18X .63 HHC	4
38	01498	NUT, 5/16-18 REGHEXCTRLK	4
39	58305	LINK BRACKET,DECK FR	1
40	58247	ADJUSTING NUT	2
41	0122017	SCREW, 5/16-18X1.00 HHC	2
42	01498	NUT, 5/16-18 REGHEXCTRLK	2
43	300103	WHEEL BRKT, LH	1
44	0180075	SCREW, 5/16-18X .63 HHC	3
45	01498	NUT, 5/16-18 REGHEXCTRLK	3
46	300102	WHEEL BRKT, RH	1
47	0180075	SCREW, 5/16-18X .63 HHC	3
48	01498	NUT, 5/16-18 REGHEXCTRLK	3
49	59190	BLADE, 19.69 HI-LIFT	2
50	2483	WASHER, .39IDX1.25DX.07 BELLVIL	6
51	039573	SCREW, 3/8-24X1.00 NYLHHC	2

◊ Indicates STANDARD HARDWARE ITEMS

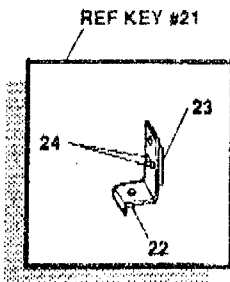
39" LAWN TRACTOR MODEL B3912-160

FINAL DECK ASSEMBLY

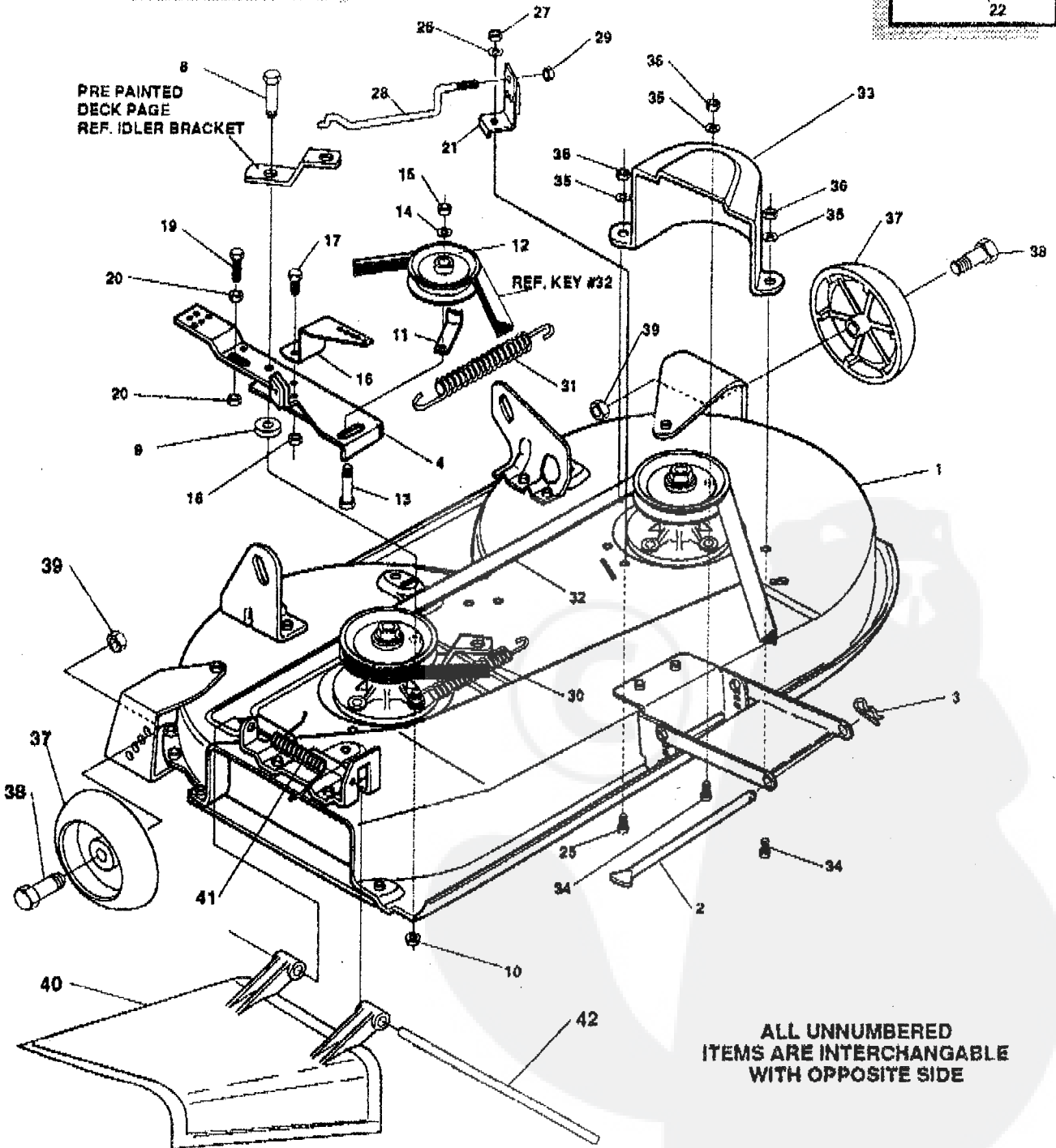


SEE DWG. 316690 FOR PART ASSY OF PAINTED DECK

REF KEY #4



REF KEY #21



PRE PAINTED DECK PAGE REF. IDLER BRACKET

REF. KEY #32

ALL UNNUMBERED ITEMS ARE INTERCHANGABLE WITH OPPOSITE SIDE

NOTE: ALWAYS USE ORIGINAL EQUIPMENT PARTS. Use of service/replacement parts other than original equipment parts may void your warranty.

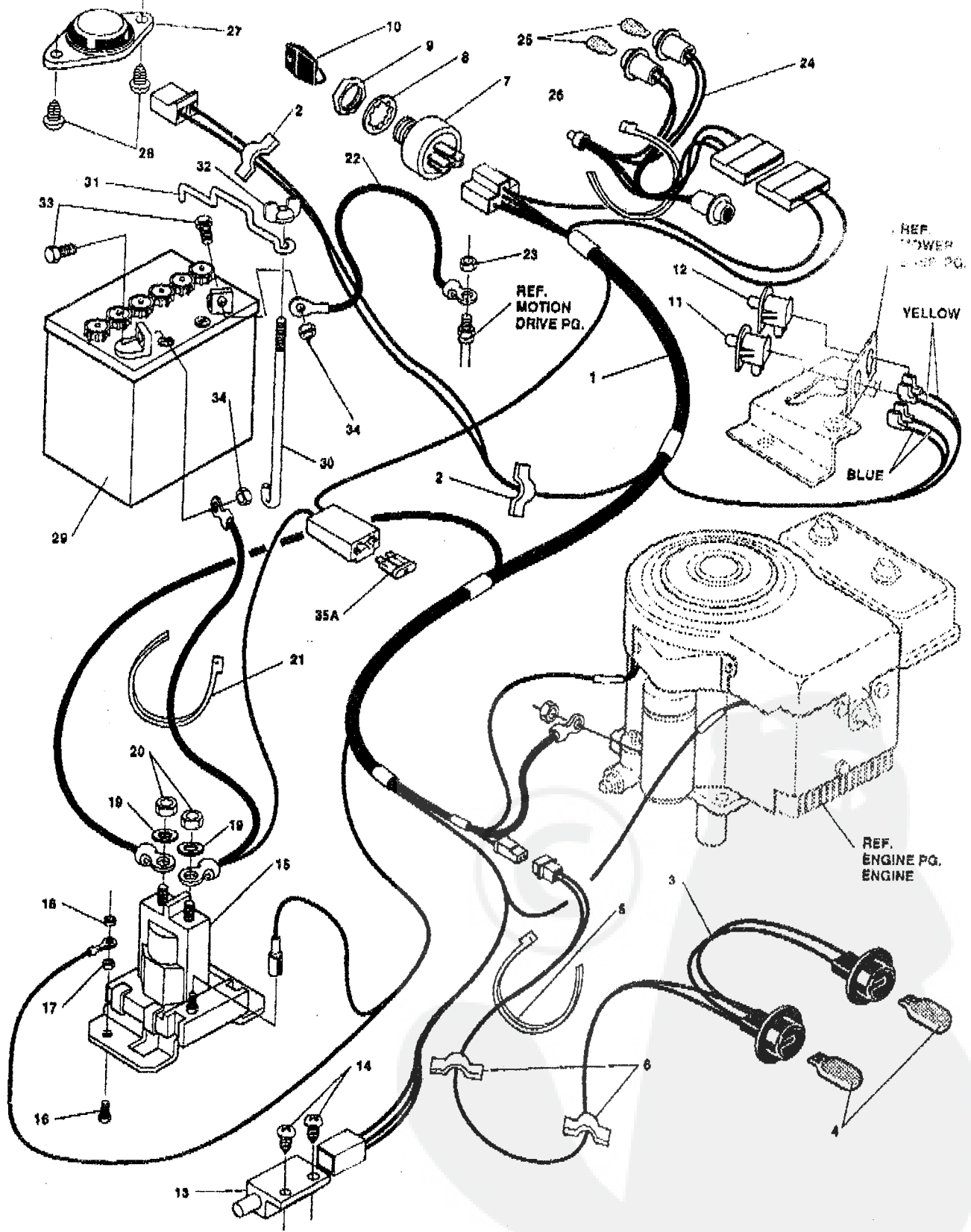
39" LAWN TRACTOR MODEL B3912-160

key#	part#	description	qty.
1	317325	DECK 39SD 2-DECKWH	1
2	58306	ROD, DECK HITCH	1
3	8260	PIN, HAIR .091 DIA X 1.88	1
4	300491	BRACKET, IDLER ARM/BRAKE	1
5	300490	IDLER ARM 36,38,39, & 45	1
6	306973	BRAKE PAD - HARD	1
7	135624	RIVET, TRSET .185 DIA X .41	2
8	300180	BOLT, .50 X 1.88 HSH 3/8-16	1
9	996416	WASHER, FLAT .391 X 1.00 X .125	1
10	045171	NUT, 3/8-16 HWD FL WHIZ NUT	1
11	1346	BELT RETAINER 2.55 OD	1
12	310326	PULLEY, IDLER BFF 4.00	1
13	57325	BOLT, 3/8-16 X 2.00 CARR	1
14	120382	WASHER, REGSPTLK.393X.66X.10	1
15	0120377	NUT, 3/8-16 REGHX	1
16	9401	BRACKET, EXTENSION IDLER	1
17	0180077	SCREW, 5/16-18 X .75 HHC	1
18	01498	NUT, 5/16-18 REGHEXCTRLK	1
19	0121954	SCREW, 1/4-20 X 2.00 HHC	1
20	0271172	NUT, 1/4-20 REGHEXKEPS	2
21	303247	ASSY. BLADE BRAKE	1
22	12542	BRAKE ARM	1
23	306973	BRAKE PAD	1
24	135624	RIVET, TRSET .185 DIA X .41	2
25	0120228	SCREW, 5/16-18 X .63 HHC	1
26	120393	WASHER, FLAT .344 X .69 X .065	1
27	01498	NUT, 5/16-18 REGHEXCTRLK	1
28	300316	ROD, BRAKE RELEASE 14.7 39	1
29	01502	NUT, 1/4-20 REGHEXCTRLK	1
30	35410	SPRING .071 X .62 X 4.37	1
31	300473	SPRING, TENSION	1
32	300680	BELT, V 5L 77.75	1
33	302833	GUARD, BELT LH	1
34	120228	SCREW, 5/16-18 X .63 HHC	3
35	120393	WASHER, FLAT .344 X .69 X .065	3
36	01498	NUT, 5/16-18 REGHEXCTRLK	3
37	302611	WHEEL, SD	2
38	23763	BOLT, .500 X 1.390 HSH 3/8-16	2
39	01499	NUT, 3/8-16 REGHXCTRLK	2
40	57818	CHUTE-36SD, 39SD	1
41	314975	SPRING, TORSION	1
42	57317	PIVOT ROD, CHUTE	1

◊ Indicates STANDARD HARDWARE ITEMS.

39" LAWN TRACTOR MODEL B3912-160

ELECTRICAL ASSEMBLY



NOTE: ALWAYS USE ORIGINAL EQUIPMENT PARTS.
 Use of service/replacement parts other than original equipment parts may void your warranty.

ALL UNNUMBERED ITEMS ARE INTERCHANGABLE WITH OPPOSITE SIDE

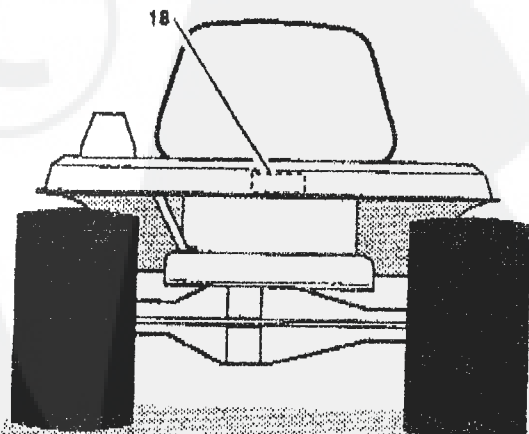
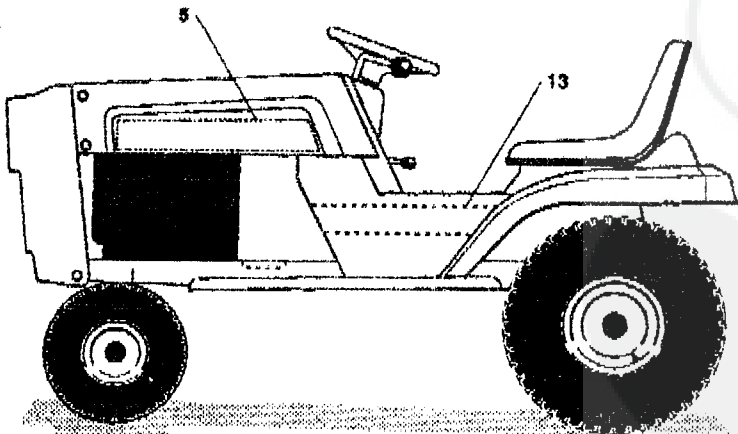
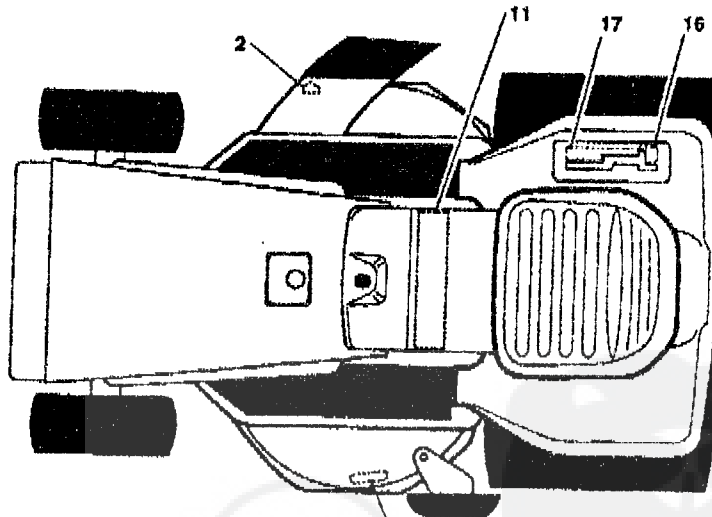
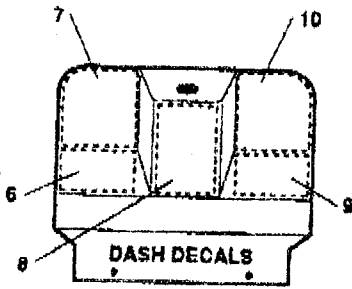
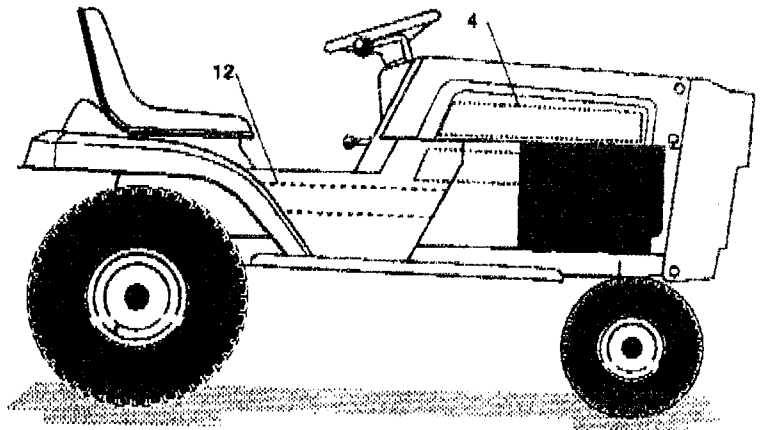
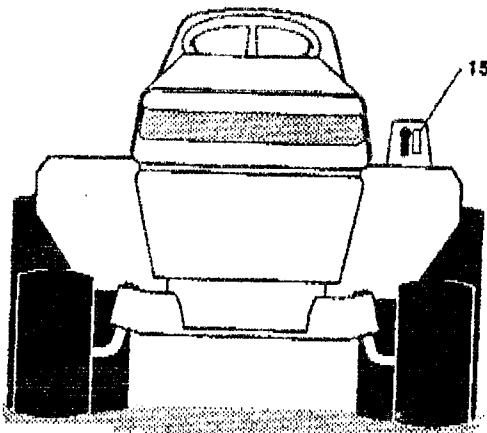
39" LAWN TRACTOR MODEL B3912-160

key#	part#	description	qty.
1	302556	WIRE HARNESS	1
2	41482	CLIP, 1.380LG .255ID PRESS WIRE	2
3	303064	ASSY, LIGHT WIRE-1/4 TURN	1
4	52572	BULB, HEADLAMP	1
5	57444	TIE, CABLE BLACK NYLON 5.62	2
6	41482	CLIP, 1.380LG .255ID PRESS WIRE	1
7	300687	SWITCH, IGNITION & LIGHTS	2
8	0138557	WASHER, REGINTLK.640X1.1X.05	1
9	048140	NUT, 5/8-32 HXHD IGN SWIT	1
10	300626	KEY, IGNITION SWITCH	1
11	300220	SWITCH, SNAPMNT NO .055/.116	1
12	58277	SWITCH, SNAPMNT NC .055/.166	1
13	57476	SWITCH, SCR MNT DP NC	1
14	057220	SCREW, #12 X .50 PHPNHTAP	2
15	53716	SOLENOID, NEW CLUM	1
16	0187745	SCREW, 1/4-20X .75 HXSEMMA	2
17	01502	NUT, 1/4-20 REGHEXCTRLK	2
18	0271172	NUT, 1/4-20 REGHEXKEPS	1
19	0138485	WASHER, EXLK .320X.61X.03	2
20	0120368	NUT, 5/16-24 REGHEX	2
21	57444	TIE, CABLE BLACK NYLON 5.62	1
22	55511	WIRE, GROUND, 12.5"	1
23	0271184	NUT, 5/16-18 HEXKEPS	1
24	300965	LIGHT HARNESS 3-IL CHG,MWR,CL	1
25	57769	BULB, INDICATOR	2
26	57444	TIE, CABLE BLACK NYLON 5.62	1
27	57647	SWITCH, SEAT	1
28	0160505	SCREW, 1/4-20X .38PHPNHMA	2
29	302257	BATTERY, YUASA 12V 7-PLATE	1
30	57551	ROD, BATTERY	1
31	57552	ROD, BATTERY, TOP	1
32	310087	SMALL PLASTIC WING NUT 1/4-20	1
33	0120854	SCREW, 1/4-20X .63 HHC	2
34	0271172	NUT, 1/4-20 REGHEXKEPS	2
35A	** 302031	FUSE, 15 AMP SPADE TYPE	1
35B	** 49211	FUSE, 15 AMP CYLINDRICAL	1

**Cylindrical or Spade type fuse included in wire assembly.
 0 Indicates STANDARD HARDWARE ITEMS.

39" LAWN TRACTOR MODEL B3912-160

DECALS

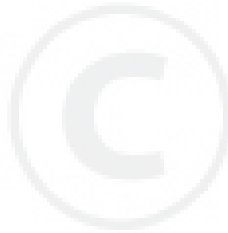


NOTE: ALWAYS USE ORIGINAL EQUIPMENT PARTS.
 Use of service/replacement parts other than original equipment parts may void your warranty.

**ALL UNNUMBERED
 ITEMS ARE INTERCHANGABLE
 WITH OPPOSITE SIDE**

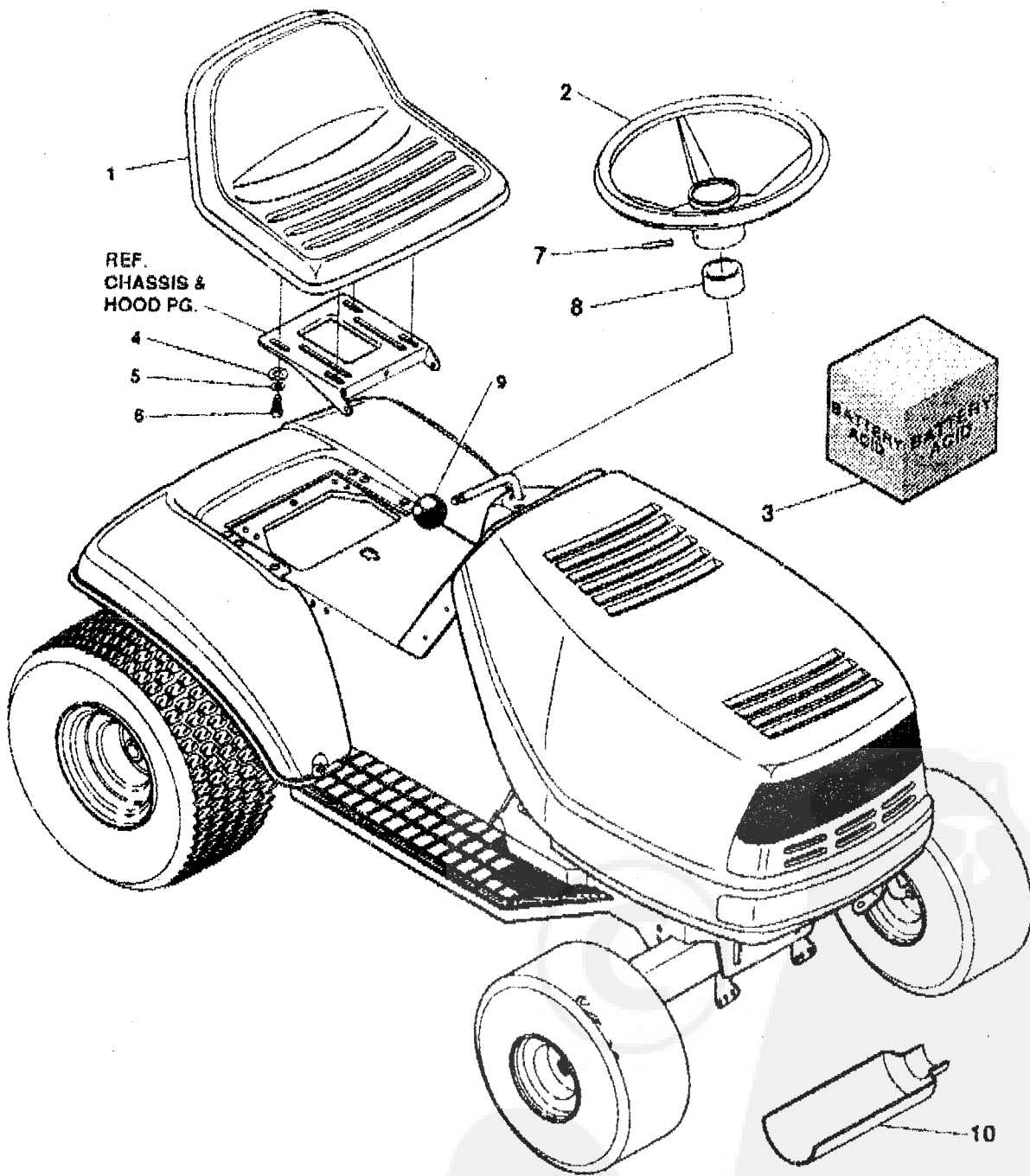
39" LAWN TRACTOR MODEL B3912-160

key#	part#	description	qty.
1	68249	DECAL,NO STEP	1
2	68547	DECAL, CUT-HAND WARNING LABEL	1
3		REFERENCE ONLY	1
4	316871	DECAL,HOOD SIDE RH	1
5	316872	DECAL,HOOD SIDE LH	1
6	305894	DECAL,DASH,LH	1
7	314977	DECAL,DASH,LH,THROTTLE	1
8	314980	DECAL,CENTER,ENGLISH INSTRUCT	1
9	316966	DECAL,DASH,RH CHARGE/OK I.L.	1
10	314978	DECAL, DASH,RH IGN. W/ LIGHTS	1
11	309855	DECAL CAUTION CONSOLE TOP	1
12	316875	DECAL,CONSOLE RH	1
13	316876	DECAL,CONSOLE LH	1
14		REFERENCE ONLY	1
15	301897	DECAL, LIFT DECK BLADE HEIGHT	1
16	311394	DECAL SHIFT REV/NEUTRAL	1
17	314964	DECAL SHIFTER POSITION	1
18	317654	NAMPLATE	1



39" LAWN TRACTOR MODEL B3912-160

CUSTOMER ASSEMBLY



39" LAWN TRACTOR MODEL B3912-160

CUSTOMER ASSEMBLY VIEW

315670 PARTS BAG ASSY QTY1

key#	part#	description	qty
1	57452	SEAT MV350	1
2	30125	STEERING WHEEL	1
3	52776	BATTERY ACID PACK	1
4	120393	WASHER,FLAT .344X.69X.065	1
5	120638	WASHER,HVSPTLK .328X.60X.06	4
6	122007	SCREW,5/16-18X.75 HHC	4
7	456978	PIN,SPRING .250DIA X2.00	4
8	57212	COVER,STEERING SHAFT	1
9	55514	SHIFT KNOB	1
10	54873	TROUGH,OIL DRAIN	1

