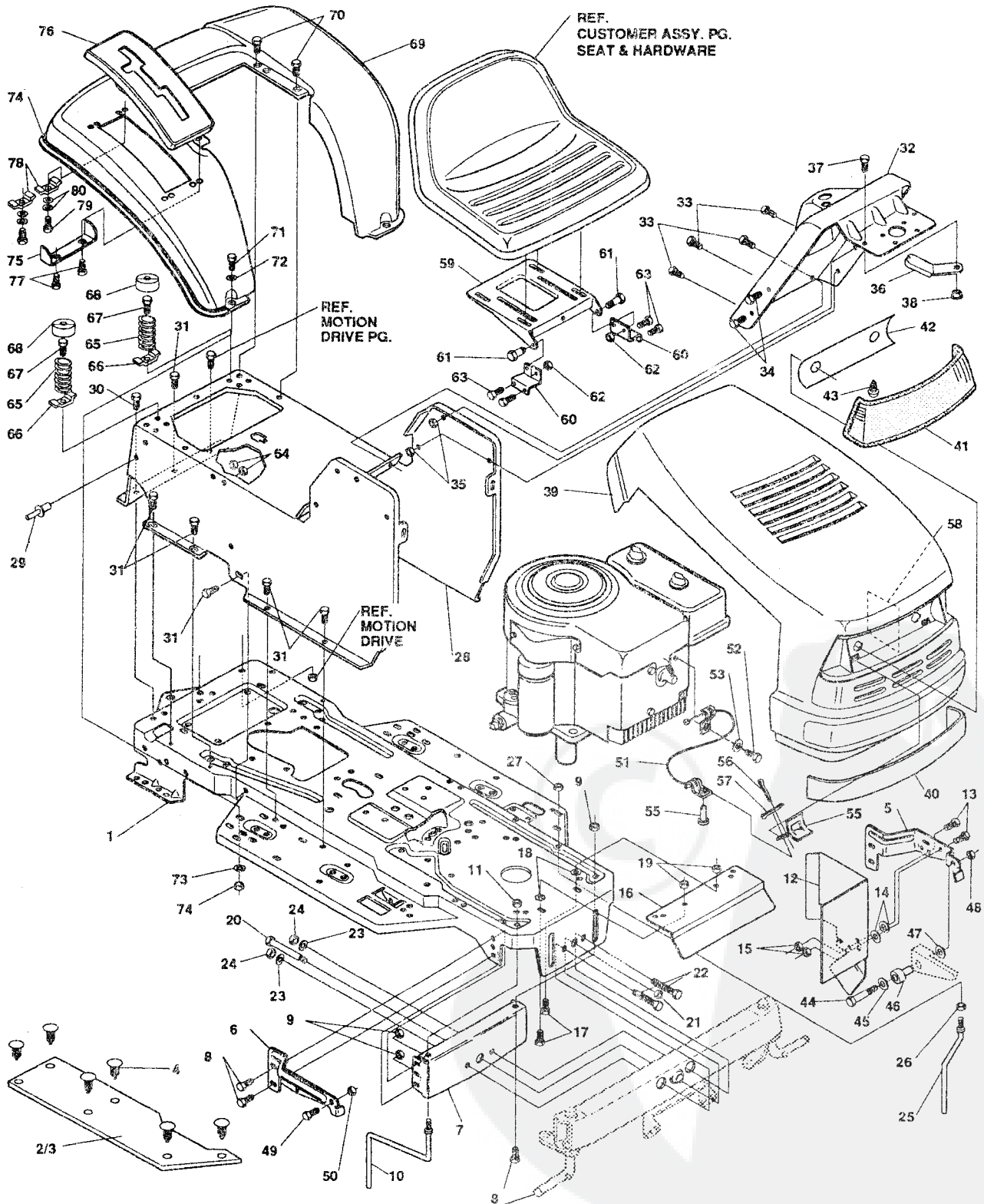


43" LAWN TRACTOR MODEL B4212-000

CHASSIS & HOOD ASSEMBLY



NOTE: ALWAYS USE ORIGINAL EQUIPMENT PARTS. Use of service/replacement parts other than original equipment parts may void your warranty.

ALL UNNUMBERED ITEMS ARE INTERCHANGABLE WITH OPPOSITE SIDE

314960B

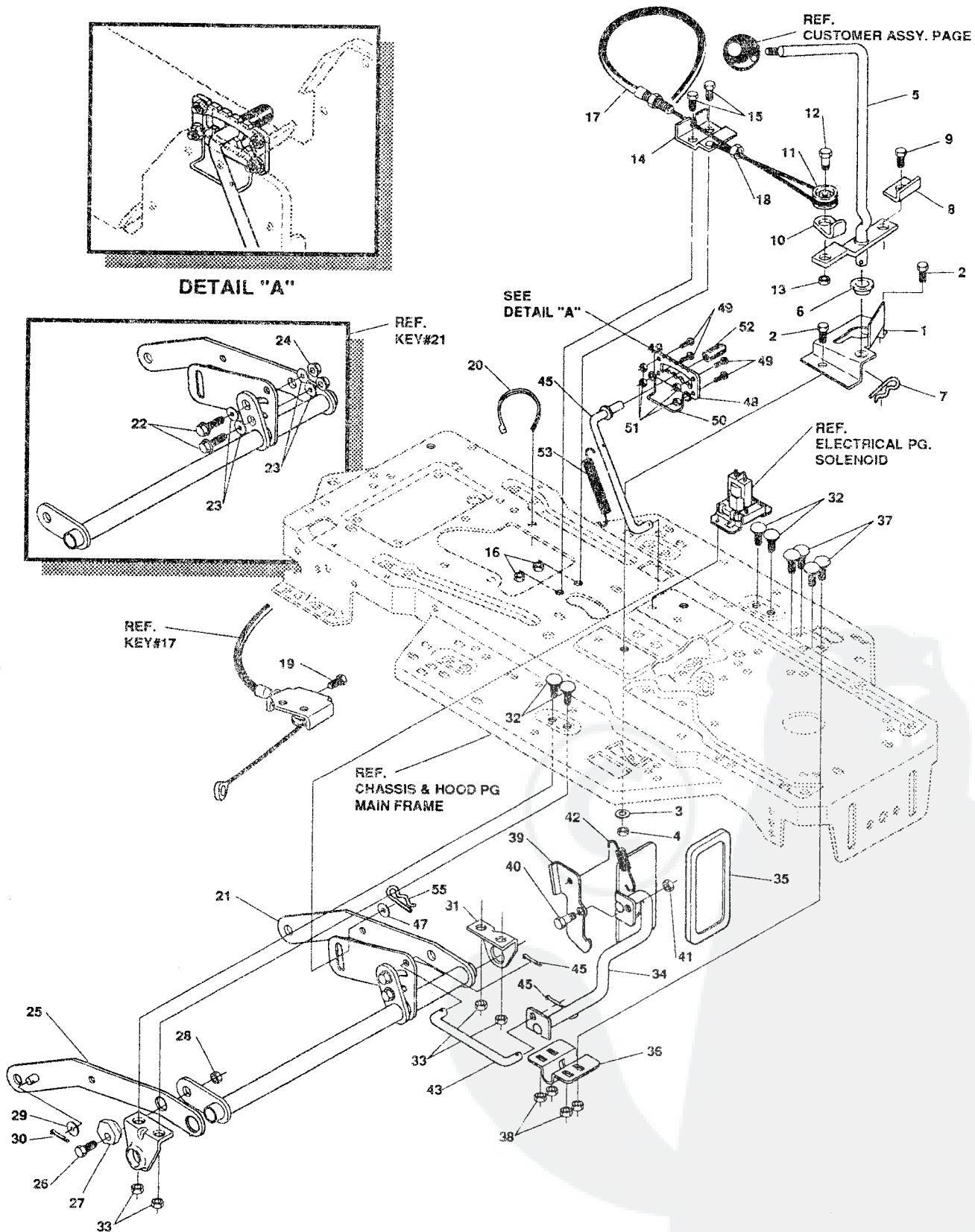
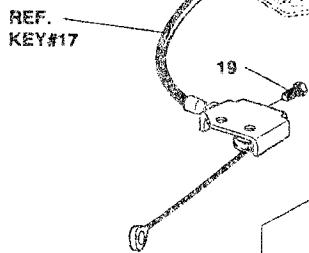
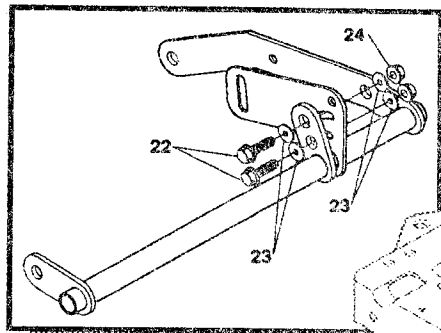
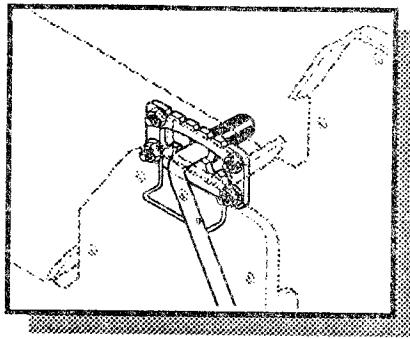
13" LAWN TRACTOR MODEL B4212-000

key#	part#	description	qty.
1	315967	FRAME,LF MAIN P920/F4360	1
2	314799	FOOTPAD,LH	1
3	310006	FOOTPAD,RH	1
4	309235	FASTENER, RATCHET	12
5	310585	BRACKET,GRILLE RH	1
6	12654	BRACKET,GRILLE LH	1
7	56361	BRACKET, FRONT AXLE	1
8	◇ 56030	SCREW, 5/16-18X.75WDFLLK	5
9	◇ 55273	NUT, 5/16-18 HXWDFLLK	5
10	300440	GUIDE, BELT, RIDER	1
11	◇ 1498	NUT, 5/16-18 REGHEXCTRLK	1
12	310019	SHIELD,HEAT 11&12	1
13	◇ 180016	SCREW, 1/4-20X .50 HHC	2
14	311245	WASHER,FLAT.250X .75	2
15	◇ 51335	NUT, 1/4-20 WDFLLK	2
16	311715	SHIELD,ANTI-GRASS DEH	1
17	◇ 56030	SCREW, 5/16-18X.75WDFLLK	2
18	309436	PUSHNUT, 5/16	2
19	◇ 55273	NUT, 5/16-18 HXWDFLLK	2
20	308207	BOLT, .625X2.18 HSSH	1
21	◇ 309008	NUT, 1/2-13 HEXJAM CTRLK	1
22	◇ 122207	SCREW, 3/8-16X3.00 HHC	2
23	2483	WASHER, .39IDX1.25DX.07 BELLVIL	2
24	◇ 1499	NUT, 3/8-16 REGHXCTRLK	2
25	300635	GUIDE,SHORT BELT	1
26	◇ 124824	NUT, 5/16-18 HEXJAM	1
27	◇ 271190	NUT, 3/8-16 HEXKEPS	1
28	316405	CONSOLE	1
29	46763	RIVET, POP .187DIA X .450	1
30	◇ 35497	SCREW, 5/16-18X .50 WAHHTAP	1
31	◇ 995346	SCREW, 1/4-20X .50 WAHHTAP	13
32	304880	DASHBOARD	1
33	◇ 995346	SCREW, 1/4-20X .50 WAHHTAP	4
34	◇ 995338	SCREW, 1/4-20X .63 HHTAP	4
35	◇ 50352	NUT, 1/4-20 WDFLLK TOPLOCK	4
36	313022	GUIDE,HOOD H13,H14,H15	2
37	◇ 180018	SCREW, 1/4-20X .62 HHC	2
38	◇ 51335	NUT, 1/4-20 WDFLLK	2
39	304026	HOOD	1
40	305736	BUMPER,ASSY	1
41	302670	LENS,HEADLAMP	1
42	308492	FOIL,LENS	1
43	◇ 57366	SCREW, 10-16X .50 DRILLTITE	2
44	◇ 180034	SCREW, 1/4-20X1.50 HHC	1
45	120392	WASHER, FLAT .281X .63X.065	1
46	309532	BUSHING,FLANGED	1
47	311245	WASHER,FLAT.250X .75X	1
48	◇ 1502	NUT, 1/4-20 REGHEXCTRLK	1
49	56676	BOLT, .375X .580	1
50	◇ 1498	NUT, 5/16-18 REGHEXCTRLK	1
51	310749	LANYARD,HOOD	1
52	◇ 180018	SCREW, 1/4-20X .62 HHC	1
53	120380	WASHER, REGSPTLK.263X.49X.07	1
54	310801	ANCHOR,HOOD LANYARD	1
55	138077	PIN,CLEVIS .672LGX.248DIA	1
56	121222	PIN, COTTER .090/.086X.75	1
57	121223	PIN, COTTER .0625X.75	1
58	301452	FOIL, HEAT REFLECTOR	1
59	304761	PLATE, SEAT	1
60	310444	BRACKET, SEAT SUPPORT	2
61	20507	BOLT, .437X .156 HSSH 5/16-18	2
62	◇ 1498	NUT, 5/16-18 REGHEXCTRLK	2
63	◇ 120228	SCREW, 5/16-18X .63 HHC	4
64	◇ 1498	NUT, 5/16-18 REGHEXCTRLK	4
65	57153	SPRING,SEAT 2.63LG,1.49OD	2
66	1341	CLAMP,SPRING 1.17"ID	2
67	◇ 44811	SCREW, 1/4-20X .75 HXWATAP	2
68	56907	COVER,SEAT SPRING 1.5IDX1.0	2
69	310639	FENDER, FDR SHIFT	1
70	◇ 995346	SCREW, 1/4-20X .50 WAHHTAP	4
71	◇ 122017	SCREW, 5/16-18X1.00 HHC	2
72	446363	WASHER, FLAT .375X .88X.082	4
73	◇ 1498	NUT, 5/16-18 REGHEXCTRLK	2
74	55021	TRIM,STRIP,BLACK	75"
75	313213	BRKT COVER	1
76	311209	COVER PLASTIC LF	1
77	◇ 311331	SCREW, 1/4-15X.44/.53 HILOHWA	2
78	1341	CLAMP,SPRING 1.17"ID	2
79	311331	SCREW, 1/4-15X.44/.53 HILOHWA	2
80	120392	WASHER, FLAT .281X .63X.065	4
81	317872	OPERATOR'S MANUAL (NOT ILLUSTRATED)	1
82	317870	PARTS MANUAL (NOT ILLUSTRATED)	1

◇ Indicates STANDARD HARDWARE ITEMS.

43" LAWN TRACTOR MODEL B4212-000

MOWER SUSPENSION ASSEMBLY



NOTE: ALWAYS USE ORIGINAL EQUIPMENT PARTS. Use of service/replacement parts other than original equipment parts may void your warranty.

ALL UNNUMBERED ITEMS ARE INTERCHANGABLE WITH OPPOSITE SIDE

314961C

43" LAWN TRACTOR MODEL B4212-000

key#	part#	description	qty.
1	9402	BRACKET,CLUT-ENGAGELEVERBLK	1
2	◇180079	SCREW, 5/16-18X1.00 HHC	2
3	120393	WASHER, FLAT .344X .69X.065	2
4	◇1498	NUT, 5/16-18 REGHEXCTRLK	2
5	304791	ASSY,CLUTCH LEVER	1
6	50148	BEARING,FL. .503IDX.628OD	1
7	8260	PIN, HAIR .091 DIAX1.66LG	1
8	315347	BRACKET,SWITCH ENGAGE	1
9	35498	SCREW, 5/16-18X .75 WAHHTAP	1
10	1288	BRKT,CABLE RETAINER	1
11	39298	PULLEY, .906X.305 NYLON	1
12	58336	BOLT, .375X .375 HSSH 1/4-20	1
13	◇1502	NUT, 1/4-20 REGHEXCTRLK	1
14	9397	BRKT, FRAME CABLE	1
15	◇180020	SCREW, 1/4-20X .75 HHC	2
16	◇1502	NUT, 1/4-20 REGHEXCTRLK	2
17	301503	ASSY,CABLE, BLADE ENGAGE	1
18	120613	NUT, 1/4-28 HJAM	1
19	35498	SCREW, 5/16-18X .75 WAHHTAP	1
20	57444	TIE, CABLE BLACK	1
21	316392	LIFT ASSY,LH PEDAL	1
22	◇53652	SCREW, 5/16-18X.75 HXWDFL	2
23	120393	WASHER, FLAT .344X .69X.065	4
24	◇44108	NUT, 5/16-18 HWDFLCTRLK	2
25	9186	ASSY.LINK,RIGHT SIDE	1
26	◇180079	SCREW, 5/16-18X1.00 HHC	1
27	58247	ADJUSTING NUT	1
28	◇1498	NUT, 5/16-18 REGHEXCTRLK	1
29	120396	WASHER, FLAT .531X1.06X.095	2
30	8260	PIN, HAIR .091 DIAX1.66LG	2
31	9117	BRKT,REAR,HANG,SUSP.	2
32	126211	BOLT, 5/16-18X .63 CARR	4
33	◇1498	NUT, 5/16-18 REGHEXCTRLK	4
34	316393	PEDAL ASSY, DECK HEIGHT BLK	1
35	314488	PAD, LIFT PEDAL	1
36	314739	BRACKET, LIFT ARM	1
37	126211	BOLT, 5/16-18X .63 CARR	4
38	◇44108	NUT, 5/16-18 HWDFLCTRLK	4
39	315342	LATCH,PEDAL LIFT	1
40	314829	BOLT, .56 X .13 HSSH 3/8-16	1
41	◇1499	NUT, 3/8-16 REGHXCTRLK	1
42	314489	SPRING, LIFT LATCH	1
43	314792	ROD, PIVOT	1
44	121222	PIN, COTTER .090/.086X.75	2
45	314791	ROD, MEMORY	1
46	274517	WASHER, FLAT .406X .73X.063	1
47	36368	PIN, COTTER .090/.086X.75LG	1
48	315341	BRACKET,MEMORY	1
49	◇305850	SCREW, 1/4-20X.50PHPNTAPGR5BK	4
50	315243	GUIDE, MEMORY ROD	1
51	◇1502	NUT, 1/4-20 REGHEXCTRLK	4
52	314969	CAP, MEMORY ROD .38ID X .75	1
53	314837	SPRING, MEMORY	1

◇ Indicates STANDARD HARDWARE ITEMS.

43" LAWN TRACTOR MODEL B4212-000

STEERING ASSEMBLY

REF. CUSTOMER ASSY. PG. STEERING WHEEL & HARDWARE

Ref. CHASSIS & HOOD PG DASH

REF. TO CHASSIS & HOOD PG MAIN FRAME

REFER TO CHASSIS & HOOD PG. FRONT AXLE SUPPORT

REF. KEY#1

36 REFER TO TIRE TREAD PAGE

ALL UNNUMBERED ITEMS ARE INTERCHANGABLE WITH OPPOSITE SIDE

NOTE: ALWAYS USE ORIGINAL EQUIPMENT PARTS. Use of service/replacement parts other than original equipment parts may void your warranty.

317124A

13" LAWN TRACTOR MODEL B4212-000

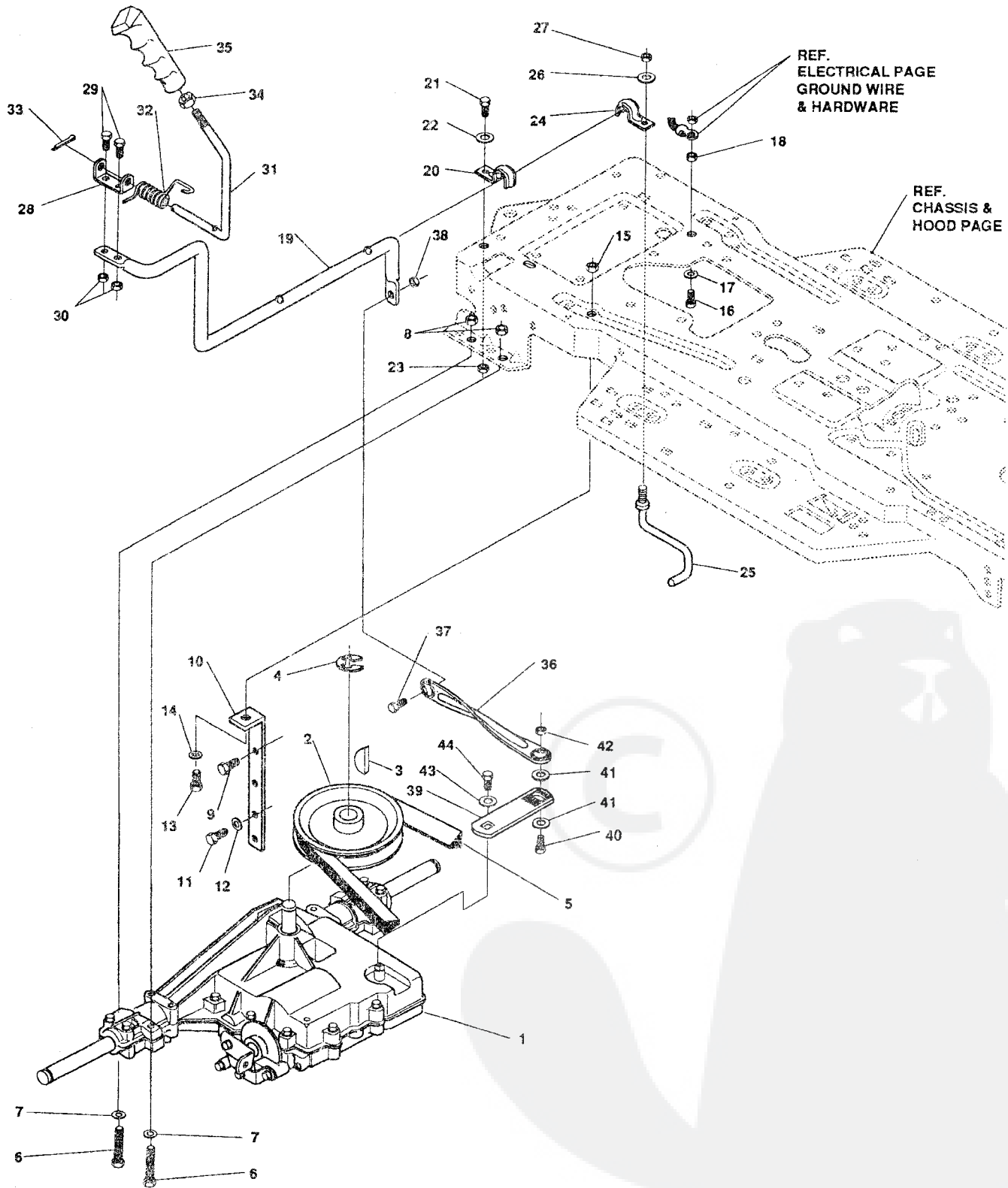
key#	part#	description	qty.
1	*	ASSY, AXLE FRONT	1
2	300272	AXLE, FRONT	1
3	52407	SPINDLE BEARING	4
4	317112	SPINDLE RH LONG	1
5	317113	SPINDLE LH LONG	1
6	36625	RING, RETEX .57X.05TRU5133-75	2
7	53373	AXLE COVER	2
8	304590	TIE ROD ASSY 19.81LG	1
9	◊180128	SCREW, 3/8-16X1.75 HHC	2
10	120382	WASHER, REGSPTLK.393X.68X.10	2
11	◊1499	NUT, 3/8-16 REGHXCTRLK	2
12	58289	SECTOR, STEERING LF	1
13	52406	BRNG, FL ECC.510IDX .998ODX .56	1
14	◊180177	SCREW, 1/2-13X1.50 HHC	1
15	22265	WASHER, FLAT .515X1.38X.119	2
16	◊1500	NUT, 1/2-13 REGHCTRLK	1
17	58291	STEERING LINK	1
18	◊124925	NUT, 3/8-24 REGHEXJAM	2
19	57158	BALL JOINT 3/8 THD SHORT STUD	1
20	21275	BALL JOINT 3/8 TH'D LONG STUD	1
21	◊46692	NUT, 3/8-24 WDFLHLK	1
22	120396	WASHER, FLAT .531X1.06X.095	2
23	120382	WASHER, REGSPTLK.393X.68X.10	1
24	◊120369	NUT, 3/8-24 REGHEX	1
25	58243	SHAFT, STEERING LF	1
26	58244	PINION, STEERING LF	1
27	58274	PIN, DOWEL .2500 OD+1.75	1
28	301410	BRNG, FL .752IDX1.061ODX .24	1
29	301398	WASHER, FORMED1.135X1.53X.12	1
30	21682	WASHER, FLAT .765X1.25X.042	1
31	36625	RING, RETEX .57X.05TRU5133-75	1
32	*	TIRE & RIM, PU 15X6.0X6	2
33	24167	VALVE STEM	1
34	39829	WHEEL W/BRG.	1
35	39979	BEARING, FL1.38OD+.753ID	1
36	301140	REFER TO TIRE TREAD PAGE	1
37	642	WASHER, FLAT .755X1.31X.075	4
38	36625	RING, RETEX .57X.05TRU5133-75	2
39	40394	CAP, HUB	2

* Order Individual Parts.

◊ Indicates STANDARD HARDWARE ITEMS.

43" LAWN TRACTOR MODEL B4212-000

MOTION DRIVE ASSEMBLY



NOTE: ALWAYS USE ORIGINAL EQUIPMENT PARTS.
Use of service/replacement parts other than original equipment parts may void your warranty.

**ALL UNNUMBERED
ITEMS ARE INTERCHANGABLE
WITH OPPOSITE SIDE**

315010B

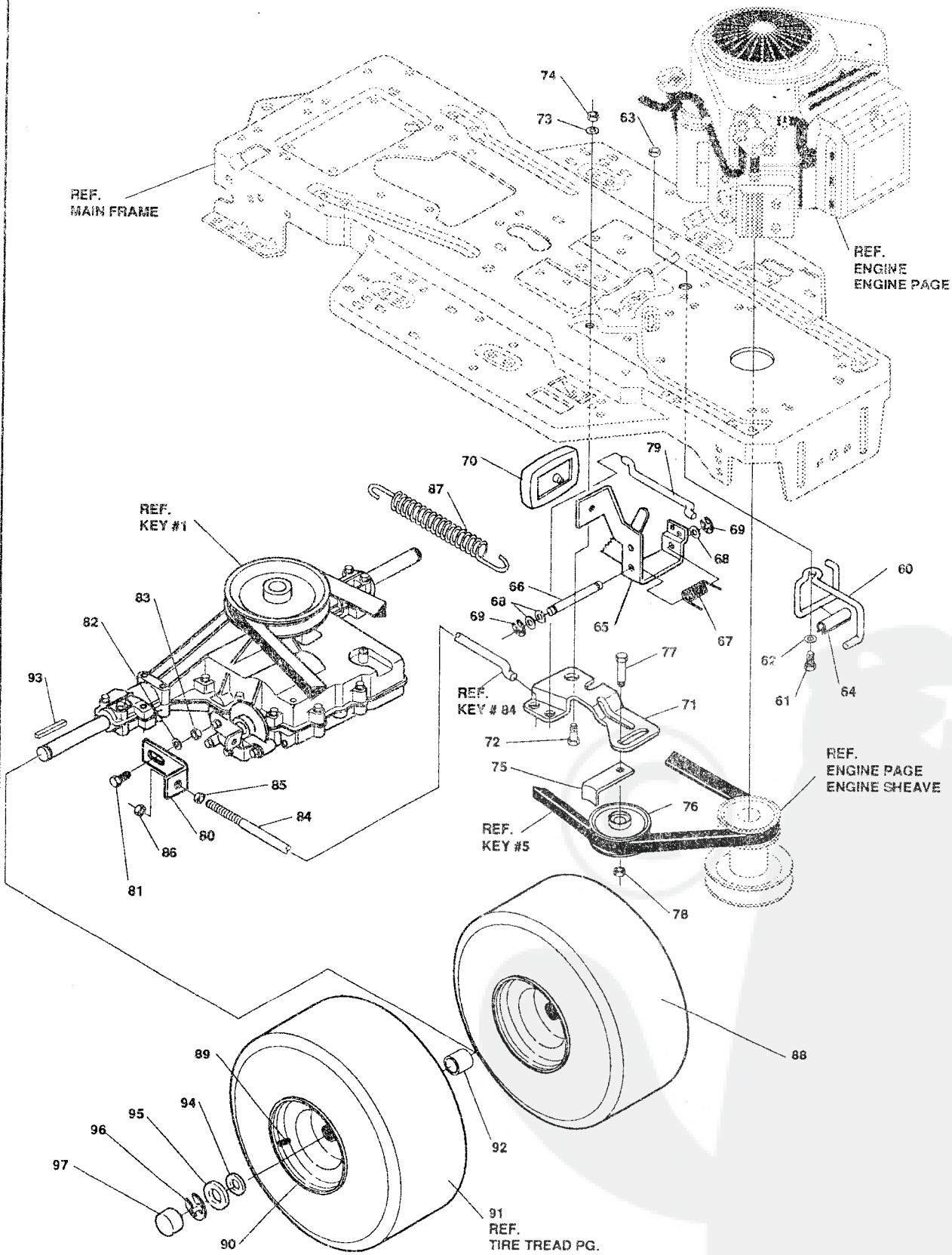
43" LAWN TRACTOR MODEL B4212-000

key#	part#	description	qty.
1		TRANSAXLE (CONTACT NEAREST DEALER)	1
2	302745	PULLEY	1
3	3021	KEY, WDRF 606 .750X.187X.312	1
4	22053	RING, RETEX .58X.04TRU5100-62	1
5	57214	BELT	1
6	◇ 180089	SCREW, 5/16-18X2.25 HHC	4
7	◇ 120393	WASHER, FLAT .344X .69X.065	4
8	◇ 1498	NUT, 5/16-18 REGHEXCTRLK	4
9	◇ 50947	SCREW, 3/8-16X1.25 WAHHTAP	1
10	12632	MF STABILIZER BRKT P920,F4150	1
11	◇ 35498	SCREW, 5/16-18X .75 WAHHTAP	2
12	◇ 120638	WASHER, HVSPTLK .328X.60X.09	2
13	◇ 122017	SCREW, 5/16-18X1.00 HHC	1
14	◇ 120393	WASHER, FLAT .344X .69X.065	1
15	◇ 1498	NUT, 5/16-18 REGHEXCTRLK	1
16	◇ 120228	SCREW, 5/16-18X .63 HHC	1
17	◇ 138538	WASHER, REGINTLK.320X.61X.03	1
18	◇ 1498	NUT, 5/16-18 REGHEXCTRLK	1
19	310029	LEVER,SHIFT,LWR 4360 LF	1
20	310348	CLIP-SHIFT LEVER .62 RD	1
21	◇ 180077	SCREW, 5/16-18X .75 HHC	1
22	◇ 996416	WASHER, FLAT .391X1.00X.125	1
23	◇ 1498	NUT, 5/16-18 REGHEXCTRLK	1
24	310348	CLIP-SHIFT LEVER .62 ROD	1
25	57259	UIDE, BELT 5/16-18THD	1
26	◇ 996416	WASHER, FLAT .391X1.00X.125	1
27	◇ 1498	NUT, 5/16-18 REGHEXCTRLK	1
28	310356	PIVOT BRKT LEVER	1
29	◇ 180018	SCREW, 1/4-20X .62 HHC	2
30	◇ 1502	NUT, 1/4-20 REGHEXCTRLK	2
31	309635	LEVER, SHIFT UPPER SF 1/2-13TH	1
32	310265	SPRING, TORS. .56X.95X.095	1
33	137185	PIN, COTTER .125 DIA X1.00LG	1
34	◇ 120238	NUT, 1/2-13 HEXJAM	1
35	306690	HANDLE 1/2-13 MOLDED	1
36	314983	LINK TIE ROD SHIFTER P930-6 LF	1
37	◇ 180124	SCREW, 3/8-16X1.25 HHC	1
38	◇ 1499	NUT, 3/8-16 REGHXCTRLK	1
39	309637	BRACKET,SHIFT 5SP SF FEN HT	1
40	◇ 180124	SCREW, 3/8-16X1.25 HHC	1
41	120394	WASHER, FLAT .406X .81X.065	2
42	◇ 1499	NUT, 3/8-16 REGHXCTRLK	1
43	◇ 57157	WASHER,.750X.250 SP-TRANSAXLE	1
44	◇ 56255	SCREW, 1/4-28X .75 NYLHHC	1

◇ Indicates STANDARD HARDWARE ITEMS.

43" LAWN TRACTOR MODEL B4212-000

MOTION DRIVE ASSEMBLY



NOTE: ALWAYS USE ORIGINAL EQUIPMENT PARTS.
Use of service/replacement parts other than original equipment parts may void your warranty.

**ALL UNNUMBERED
ITEMS ARE INTERCHANGABLE
WITH OPPOSITE SIDE**

315010B

43" LAWN TRACTOR MODEL B4212-000

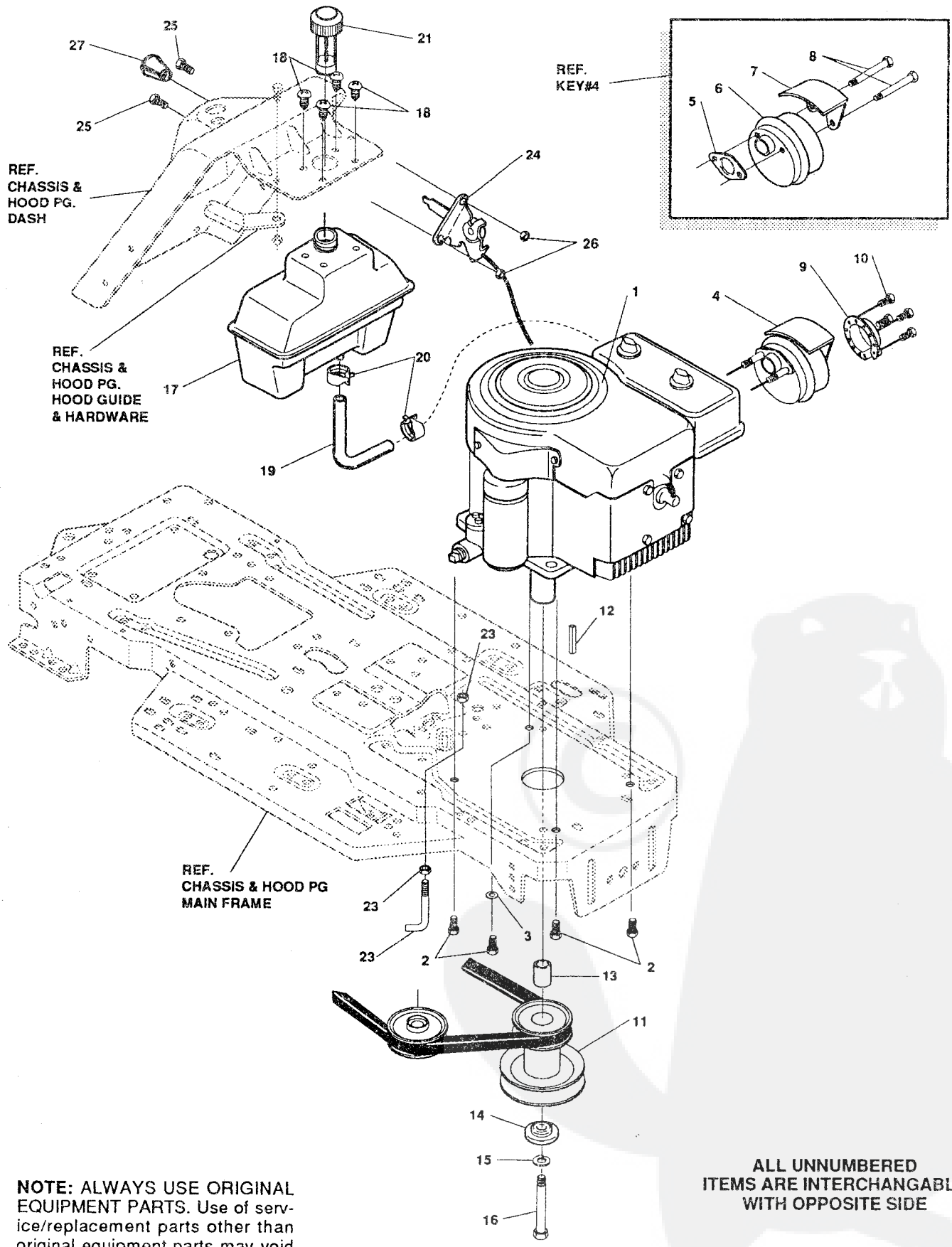
key#	part#	description	qty.
60	58356	GUIDE-BELT/DRAGLINK	1
61	◇ 180079	SCREW, 5/16-18X1.00 HHC	1
62	◇ 45602	WASHER, FLAT .333X .87X.119	1
63	◇ 1498	NUT, 5/16-18 REGHEXCTRLK	1
64	303278	PLASTIC EXTRUSION-BELT GUIDE	1
65	300308	PEDAL ASSY,BRAKE/CLUTCH LF	1
66	57196	ROD,PIVOT .50 OD+4.44LG	1
67	57847	SPRING, BRAKE PEDAL	1
68	◇ 2968	WASHER, FLAT .504X .75X.059	3
69	20864	RING, RET E .39X.04TRU5133-50	2
70	48160	PAD, CLUTCH BRAKE W/PRINTING	1
71	300154	ARM,IDLER TRACTION DR. LF	1
72	300793	BOLT, .625X .135 HSH 5/16-18	1
73	◇ 45602	WASHER, FLAT .333X .87X.119	1
74	◇ 1498	NUT, 5/16-18 REGHEXCTRLK	1
75	39659	RETAINER, STRAP BELT	1
76	35374	PULLEY, IDLER V4L 3.06X .62	1
77	45892	BOLT, 3/8-16X1.50 CARR	1
78	◇ 1499	NUT, 3/8-16 REGHXCTRLK	1
79	57204	ROD, CLUTCH	1
80	57217	BRACKET, BRAKE ROD	1
81	20507	BOLT, .437X .156 HSH 5/16-18	1
82	◇ 45602	WASHER, FLAT .333X .87X.119	1
83	◇ 1498	NUT, 5/16-18 REGHEXCTRLK	1
84	57203	ROD, BRAKE LT 920 LF 22.25	1
85	◇ 271184	NUT, 5/16-18 HEXKEPS	1
86	◇ 1498	NUT, 5/16-18 REGHEXCTRLK	1
87	56359	SPRING,CLUTCH .113X.750X8.75	1
88	*	TIRE & RIM, PU 20X8-8 TURFWHI	2
89	24167	VALVE STEM	
90	301366	RIM, WHEEL 20X8.00	
91		REFER TO TIRE TREAD PAGE	
92	301565	SPACER	2
93	39628	KEY	2
94	642	WASHER, FLAT .755X1.31X.075	4
95	42815	WASHER, FLAT .755X1.53X.07	2
96	36625	RING, RETEX	2
97	40394	CAP, HUB	2

* Order Individual Parts.

◇ Indicates STANDARD HARDWARE ITEMS.

43" LAWN TRACTOR MODEL B4212-000

ENGINE & CONTROL ASSEMBLY



NOTE: ALWAYS USE ORIGINAL EQUIPMENT PARTS. Use of service/replacement parts other than original equipment parts may void your warranty.

ALL UNNUMBERED ITEMS ARE INTERCHANGABLE WITH OPPOSITE SIDE

317206A

43" LAWN TRACTOR MODEL B4212-000

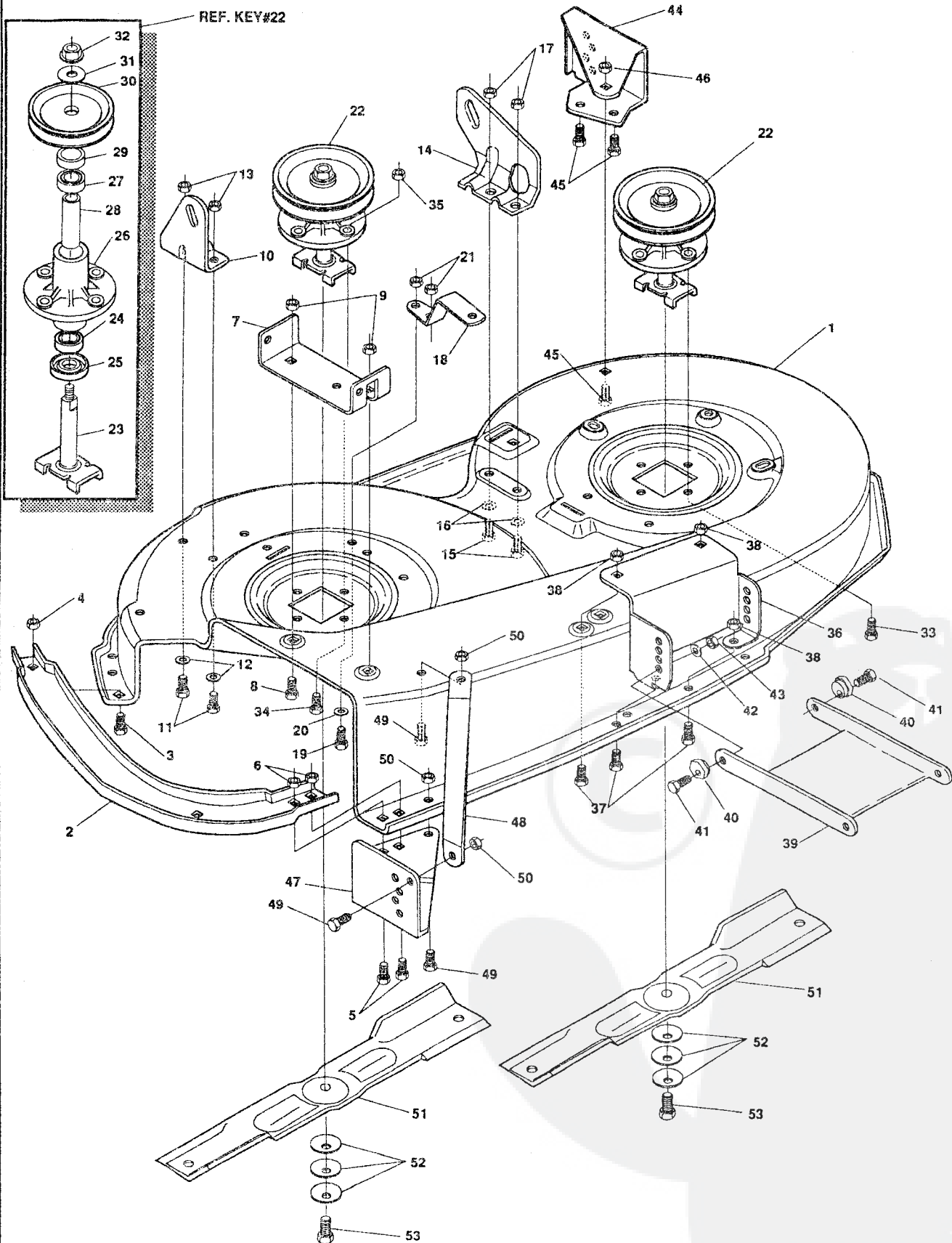
key#	part#	description	qty.
1	ENGINE	12HP B&S (SEE ENGINE MANUAL)	1
2	50947	SCREW, 3/8-16X1.25 WAHHTAP	4
3	138489	WASHER, EXLK .384X.69X.04	1
4	57776	MUFFLER ASSY	1
5	46708	GASKET, MUFFLER	1
6	54766	MUFFLER-ROUND	1
7	54767	SHIELD, HEAT	1
8	◊173063	SCREW, 5/16-18X3.50 HHC	2
9	56472	DEFLECTOR SIDE OUT	1
10	35287	SCREW, #8-32X .38 HHWATAP	4
11	316802	PULLEY,ENG 3.0D X 4.40LG X 5.0D	1
12	57791	KEY, SQUARE .249SQX4.50	1
13	304246	SPACER,1.01X1.484	1
14	56431	WASHER,.980IDX1.38ODX.437PILOT	1
15	120383	WASHER, REGSPTLK.459X.78X.12	1
16	◊428644	SCREW	1
17	314989	TANK, FUEL 1 GAL	1
18	49050	SCREW, 1/4-10X .75PHPNTAP	4
19	47452	GAS LINE .25ID	13.00"
20	48672	CLAMP, FUEL LINE	2
21	50988	CAP, GAS W/GAUGE	1
22	301713	UPSTOP BOLT	1
23	45171	NUT,3/8-16 HWDFL WHIZ-LOCK	2
24	56534	CONTROL, THROTTLE	1
25	◊159943	SCREW, 10-24X .63PHPNMA	2
26	◊271166	NUT, #10-24 HEXKEPS	2
27	50607	KNOB,ROUND THROTTLE	1

* Order Individual Parts.
 ◊ Indicates STANDARD HARDWARE ITEMS.



43" LAWN TRACTOR MODEL B4212-000

PRE-PAINTED DECK ASSEMBLY



NOTE: ALWAYS USE ORIGINAL EQUIPMENT PARTS. Use of service/replacement parts other than original equipment parts may void your warranty.

ALL UNNUMBERED ITEMS ARE INTERCHANGABLE WITH OPPOSITE SIDE

315656C

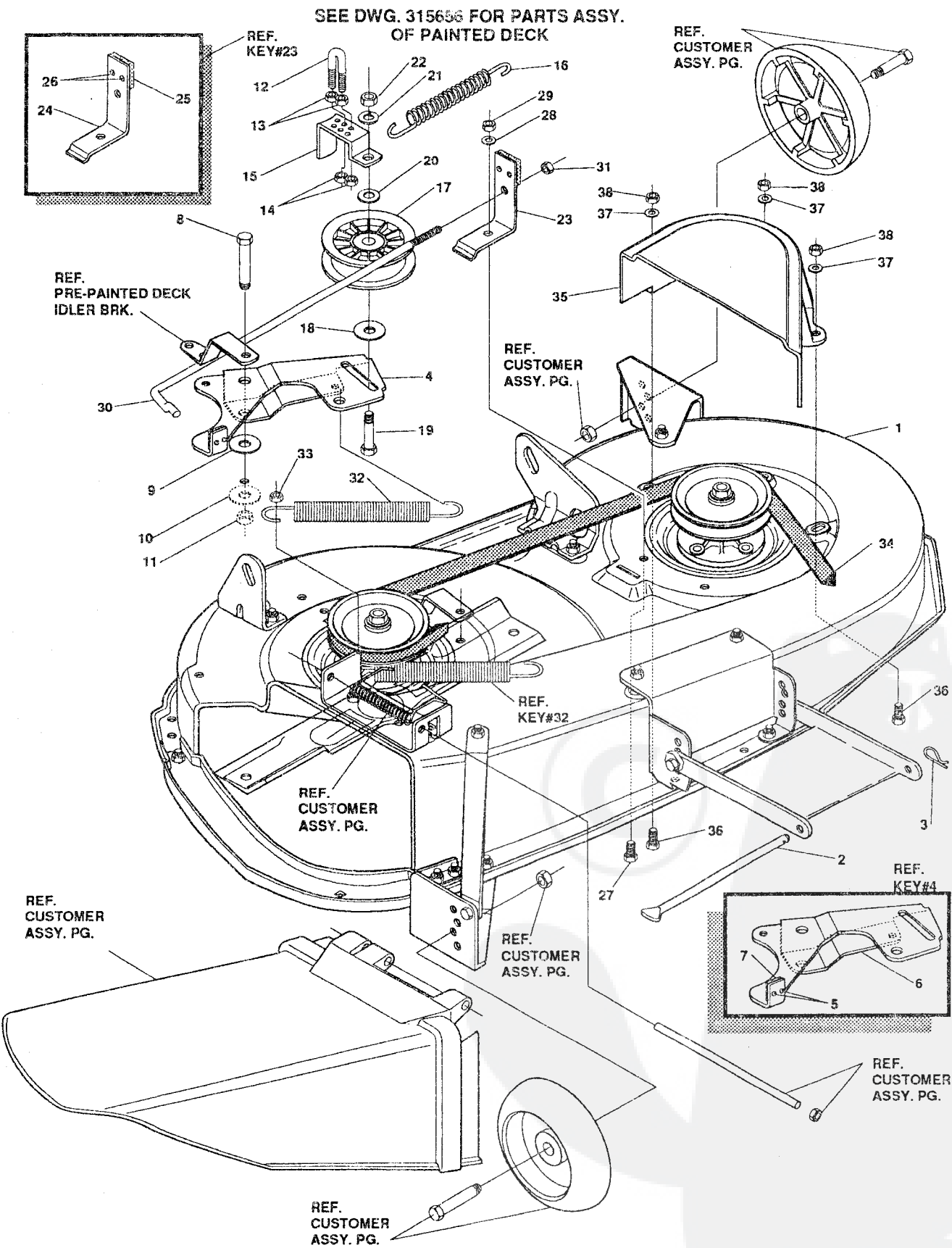
43" LAWN TRACTOR MODEL B4212-000

key#	part#	description	qty.
1	317038	MOWER DECKS, RIDER 43"	1
2	304102	TOE GUARD	1
3	◇180075	SCREW, 5/16-18X .63 HHC	1
4	◇1498	NUT, 5/16-18 REGHEXCTRLK	1
5	◇122007	SCREW, 5/16-18X .75 HHC	2
6	◇1498	NUT, 5/16-18 REGHEXCTRLK	2
7	302364	BRACKET CHUTE MOUNT	1
8	◇180075	SCREW, 5/16-18X .63 HHC	2
9	◇1498	NUT, 5/16-18 REGHEXCTRLK	2
10	58250	LIFT BRACKET, REAR, RH	1
11	◇180077	SCREW, 5/16-18X .75 HHC	2
12	◇120393	WASHER, FLAT .344X .69X.065	2
13	◇1498	NUT, 5/16-18 REGHEXCTRLK	2
14	58251	BRACKET, DECK LIFT REAR LH	1
15	◇180077	SCREW, 5/16-18X .75 HHC	2
16	◇120393	WASHER, FLAT .344X .69X.065	2
17	◇1498	NUT, 5/16-18 REGHEXCTRLK	2
18	302363	BRACE IDLER	1
19	◇180077	SCREW, 5/16-18X .75 HHC	2
20	◇120393	WASHER, FLAT .344X .69X.065	2
21	◇44108	NUT, 5/16-18 HWDFLCTRLK	2
22	56424	QUILL ASSY, 36/39/40/43	2
23	56425	SHAFT/SADDLE 36"	1
24	49562	BRNG, BALL	1
25	50616	DUST SHIELD	1
26	55547	QUILL CASTING (1046)	1
27	49562	BRNG, BALL	1
28	50818	SPACER, 3.797LGX.669IDX.88OD	1
29	51449	SPACER, .438LGX.932ODX.672ID	1
30	56390	PULLEY, 26/36" QUILL	1
31	56365	SPECIAL WASHER	1
32	◇1282	NUT, 7/16-20 WDFLLK	1
33	◇50634	SCREW, 5/16-18X .88 WAHTAP	7
34	◇300345	SCREW, 5/16-18X1.38 WATAPGR	1
35	◇1498	NUT, 5/16-18 REGHEXCTRLK	1
36	313778	BRACKET FRT.	1
37	◇180075	SCREW, 5/16-18X .63 HHC	4
38	◇1498	NUT, 5/16-18 REGHEXCTRLK	4
39	58305	LINK BRACKET, DECK FR	1
40	58247	ADJUSTING NUT	2
41	◇122017	SCREW, 5/16-18X1.00 HHC	2
42	35214	WASHER, FLAT .328X1.06X.062	2
43	◇1498	NUT, 5/16-18 REGHEXCTRLK	2
44	304426	BRACKET, GAGE WHEEL L.H	1
45	◇180075	SCREW, 5/16-18X .63 HHC	3
46	◇1498	NUT, 5/16-18 REGHEXCTRLK	3
47	313925	BRACKET, GAGE WHEEL R.H.	1
48	314282	BRACKET, STABILIZER	1
49	◇180075	SCREW, 5/16-18X .63 HHC	3
50	◇1498	NUT, 5/16-18 REGHEXCTRLK	3
51	313954	BLADE, 21.70 HIGH-LIFT	2
52	2483	WASHER, .39IDX1.25DX.07 BELLVIL	6
53	◇39573	SCREW, 3/8-24X1.00 NYLHHC	2

◇ STANDARD HARDWARE ITEMS

43" LAWN TRACTOR MODEL B4212-000

FINAL DECK ASSEMBLY



NOTE: ALWAYS USE ORIGINAL EQUIPMENT PARTS.
 Use of service/replacement parts other than original equipment parts may void your warranty.

ALL UNNUMBERED ITEMS ARE INTERCHANGABLE WITH OPPOSITE SIDE

315594C

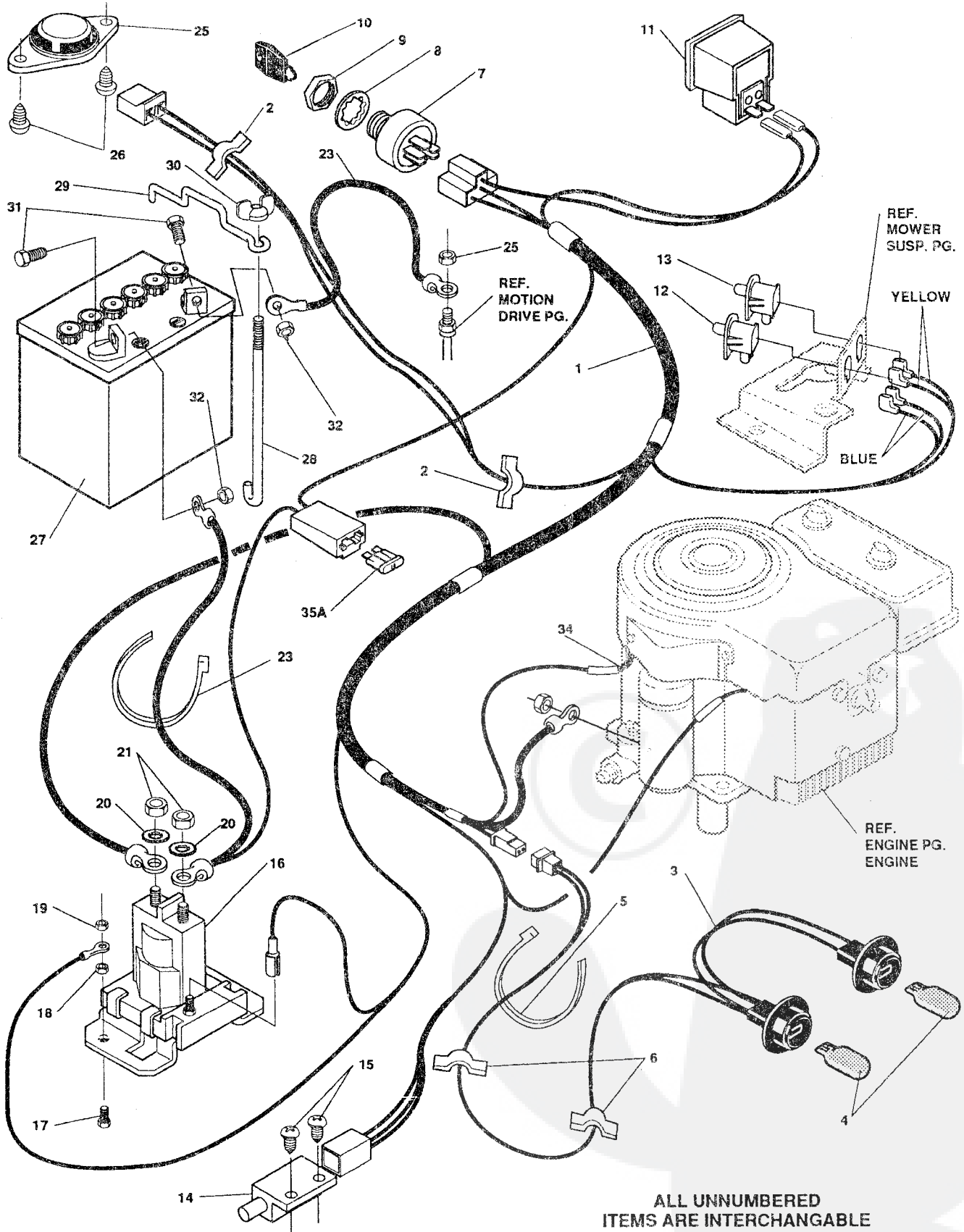
3" LAWN TRACTOR MODEL B4212-000

key#	part#	description	qty.
1	*	DECK,43" MOWER ASSEMBLY	1
2	58306	ROD, DECK HITCH Z-PL	1
3	8260	PIN, HAIR .091 DIA X 1.66LG	1
4	304414	ASSY.IDLER ARM	1
5	41601	RIVET, OVSET .187DIA X .50LG	2
6		ARM IDLER (NOT SERVICE PART, ORDER KEY 4)	1
7	306973	BRAKE PAD - HARD - 232AF	1
8	304420	BOLT, .500X2.15 HXHDCPSH	1
9	996307	WASHER, FLAT .391X1.00X.209	1
10	996416	WASHER, FLAT .391X1.00X.125	1
11	45171	NUT, 3/8-16 HWD FL WHIZ NUT	1
12	317303	U-BOLT	1
13	271166	NUT, #10-24	2
14	997316	NUT, #10-24 REGHXCTRLK	2
15	315873	GUIDE, BELT, IDLER ZINC	1
16	314107	SPRING, TENSION 5.00LG	1
17	310326	PULLEY, IDLER BFF 4.00 WIDE FL	1
18	25210	WASHER, FLAT .392X1.25X.09	1
19	57325	BOLT, 3/8-16X2.00 CARR	1
20	996307	WASHER, FLAT 391X1.00X.125	1
21	120382	WASHER, REGSPTLK.393X.68X.10	1
22	120377	NUT, 3/8-16 REGHX	1
23	304118	BLADE BRAKE ASSY.	1
24		BRAKE ARM (NOT SERVICE PART, ORDER KEY 23)	1
25	306973	BRAKE PAD	1
26	135624	RIVET	2
27	120228	◇ SCREW, 5/16-18X .63 HHC	1
28	120393	WASHER, FLAT .344X .69X.065	1
29	1498	NUT, 5/16-18 REGHEXCTRLK	1
30	314079	ROD, BRAKE	1
31	1502	◇ NUT, 1/4-20 REGHEXCTRLK	1
32	35410	SPRING .071 X .62 X 4.97	1
33	1498	NUT, 5/16-18 REGHEXCTRLK	1
34	314108	BELT, V 5L 86.00 KEVLAR	1
35	314106	GUARD, BELT LH PLASTIC	1
36	120228	◇ SCREW, 5/16-18X .63 HHC	3
37	120393	WASHER, FLAT .344X .69X.065	3
38	1498	◇ NUT, 5/16-18 REGHEXCTRLK	3

◇ Indicates STANDARD HARDWARE ITEMS

43" LAWN TRACTOR MODEL B4212-000

ELECTRICAL ASSEMBLY



NOTE: ALWAYS USE ORIGINAL EQUIPMENT PARTS. Use of service/replacement parts other than original equipment parts may void your warranty.

ALL UNNUMBERED ITEMS ARE INTERCHANGABLE WITH OPPOSITE SIDE

315021A

13" LAWN TRACTOR MODEL B4212-000

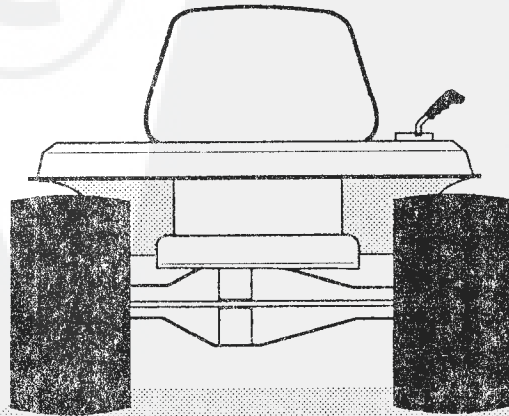
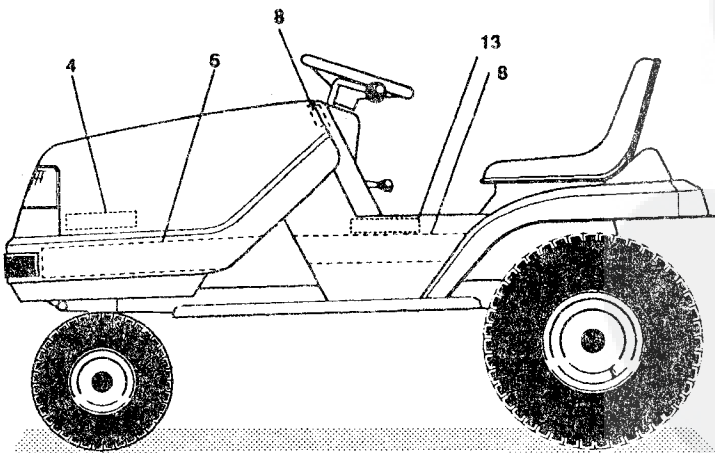
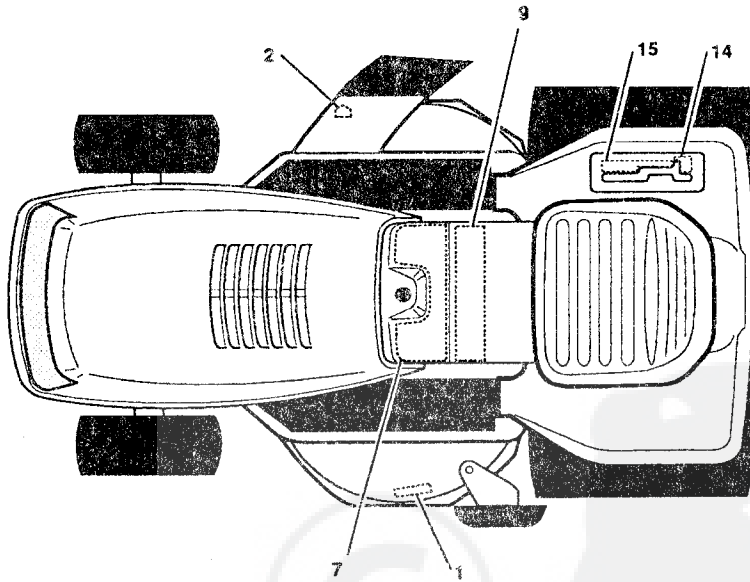
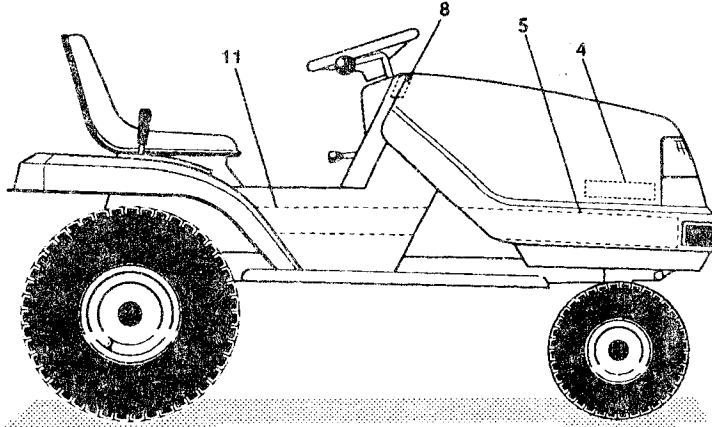
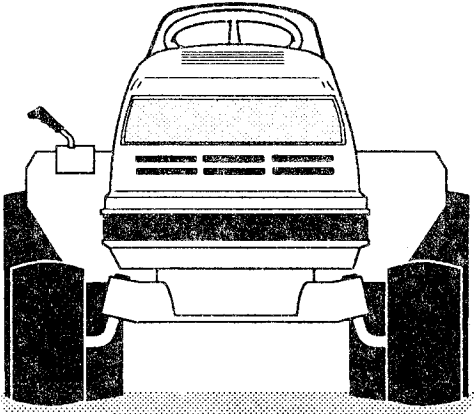
key#	part#	description	qty.
1	300814	WIRE HARNESS	1
2	41482	CLIP, 1.380LG .255ID PRESS WIRE	2
3	303064	ASSY, LIGHT WIRE	1
4	52572	BULB, HEADLAMP	2
5	57444	TIE, CABLE BLACK NYLON	1
6	41482	CLIP, 1.380LG .255ID PRESS WIRE	2
7	300687	SWITCH, IGNITION & LIGHTS	1
8	◇ 138557	WASHER, REGINTLK.640X1.1X.05	1
9	◇ 48140	NUT, 5/8-32 HXHD IGN SWIT	1
10	300626	KEY, IGNITION SWITCH	1
11	300133	AMMETER, PANEL MOUNT	1
12	300220	SWITCH, SNAPMNT NO .055/.116	1
13	58277	SWITCH, SNAPMNT NC .055/.166	1
14	57211	SWITCH, SCR MNT SP NO BLK	1
15	57220	SCREW, #12 X .50 PHPNHTAP	2
16	53716	SOLENOID	1
17	◇ 187745	SCREW, 1/4-20X .75 HXSEMMA	2
18	◇ 1502	NUT, 1/4-20 REGHEXCTRLK	2
19	◇ 271172	NUT, 1/4-20 REGHEXKEPS	1
20	◇ 138485	WASHER, EXLK .320X.61X.03	2
21	◇ 120368	NUT, 5/16-24 REGHEX	2
22	57444	TIE, CABLE BLACK NYLON	1
23	55511	WIRE, GROUND, 12.5"	1
24	◇ 271184	NUT, 5/16-18 HEXKEPS	1
25	57547	SWITCH, SEAT	1
26	160505	SCREW, 1/4-20X .38PHPNHMAGR2	2
27	302257	BATTERY 12V 7 PLATE	1
28	57551	ROD, BATTERY	1
29	57552	ROD, BATTERY, TOP	1
30	310067	SMALL PLASTIC WING NUT 1/4-20	1
31	◇ 120854	SCREW, 1/4-20X .63 HHC	2
32	◇ 271172	NUT, 1/4-20 REGHEXKEPS	2
33	314669	ADAPTOR, DUAL CIR	1
34A	** 302031	FUSE, 15 AMP SPADE TYPE	1
35B	** 49211	FUSE, 15 AMP CYLINDRICAL	1

**Cylindrical or Spade type fuse included in wire assembly.
 ◇ Indicates STANDARD HARDWARE ITEMS.



43" LAWN TRACTOR MODEL B4212-000

DECALS



NOTE: ALWAYS USE ORIGINAL EQUIPMENT PARTS.
Use of service/replacement parts other than original equipment parts may void your warranty.

**ALL UNNUMBERED
ITEMS ARE INTERCHANGABLE
WITH OPPOSITE SIDE**

315724A

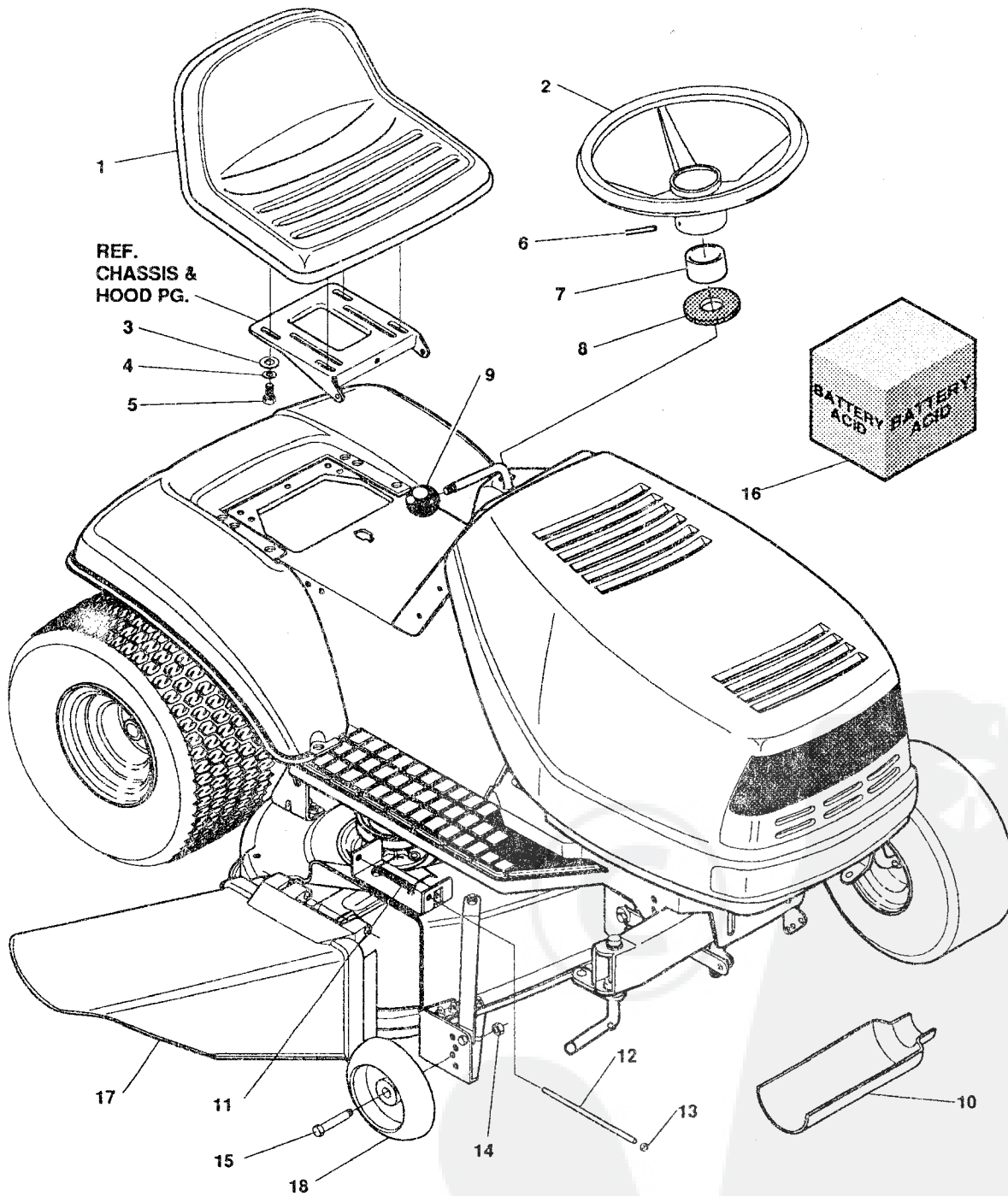
3" LAWN TRACTOR MODEL B4212-000

key#	part#	description	qty.
1	68249	DECAL,NO STEP	2
2	68547	DECAL, CUT-HAND WARNING LABEL	1
3		REFERENCE ONLY	1
4	302758	NAMEPLATE MED.DYNABYNOMA WHITE	2
5	302940	DECAL,HOOD H-14 RH	1
6	302941	DECAL,HOOD H-14 LH	1
7	302891	DECAL,DASH LF AMM MWR CL SUS	1
8	313208	DECAL, DASH WEAR STRIP	2
9	309855	DECAL CAUTION CONSOLE TOP LF	1
10	314191	DECAL, 43" CONSOLE STRIPE (L)	1
11	314192	DECAL, 43" CONSOLE STRIPE (R)	1
12		REFERENCE ONLY	1
13	314945	DECAL, 5-POSITION CUT HEIGHT	1
14	311394	DECAL SHIFT REV/NEUTRAL	1
15	314964	DECAL SHIFTER POSITION P930-6	1



43" LAWN TRACTOR MODEL B4212-000

CUSTOMER ASSEMBLY

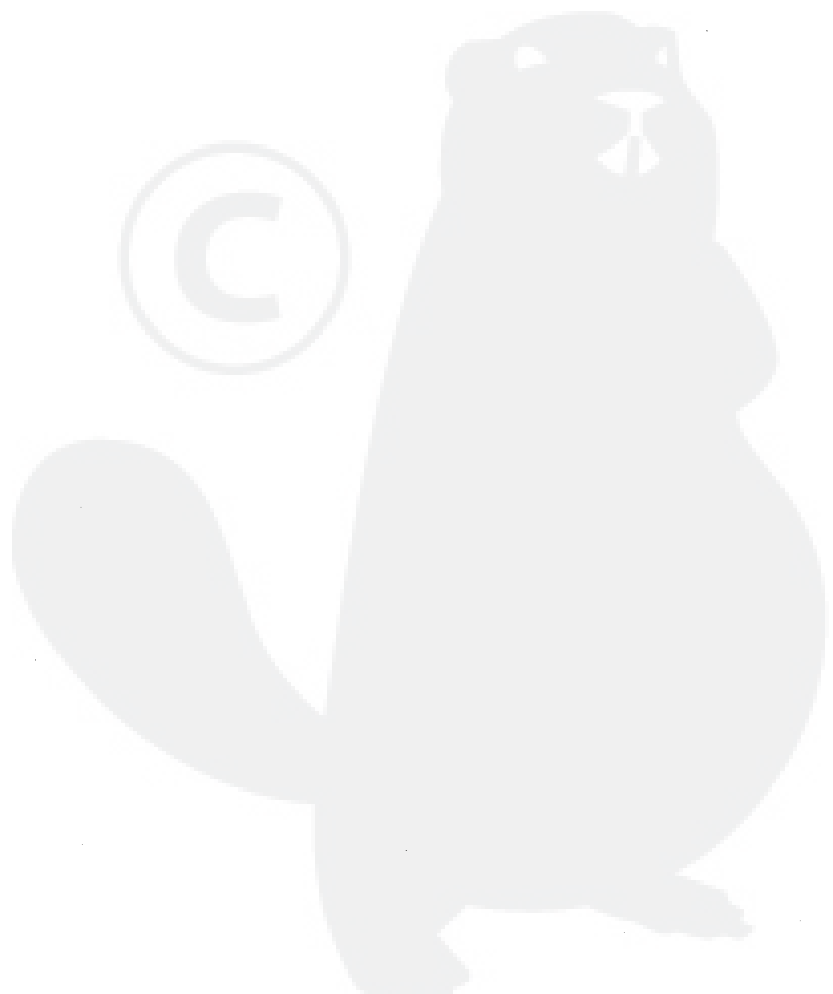


316674A

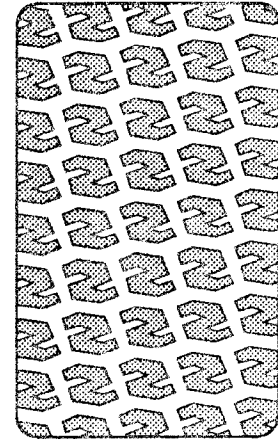
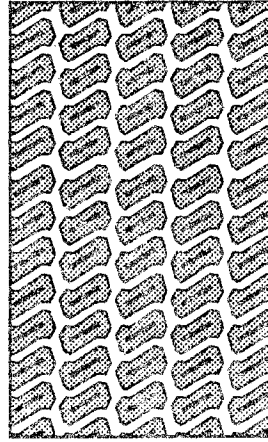
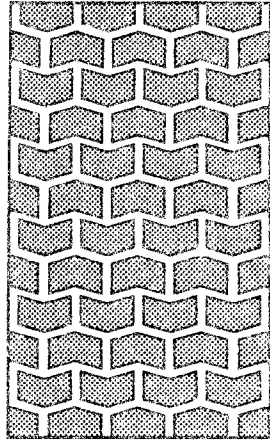
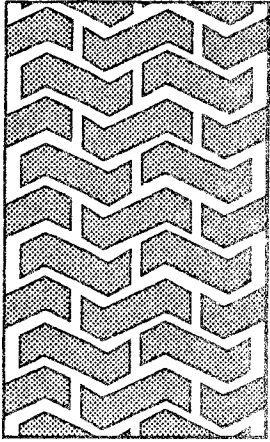
CUSTOMER ASSEMBLY VIEW

316675 PARTS BAG ASSY QTY1

key#	part#	decription	qty
1	304316	SEAT MV440	1
2	309393	STEERING WHEEL	1
3	120393	WASHER, FLAT .344X.69X.065	4
4	120638	WASHER, HVSPTLK .328X.60X.09	4
5	122007	SCREW, 5/16-18X.75 HHC	4
6	456378	PIN, SPRING .250DIA X2.00LG	1
7	311465	COVER, STEERING SHAFT	1
8	301413	SPACER, STEERING SHAFT	1
9	55514	KNOB, SHIFT	1
10	54873	OIL TROUGH	1
11	314975	TORSION SPRING	1
12	304424	ROD, PIVOT	1
13	3535	PUSH NUT	1
14	1499	NUT, 3/8-16 REGHXCTRLK	2
15	23763	BOLT, .500X1.390 HSSH 3/8-16	2
16	52778	BATTERY ACID	1
17	304422	CHUTE DEFLECTOR	1
18	302611	DECK WHEEL	2



TREAD PATTERNS



TIRE SIZE	"A"	"B"	"C"	"D"
11 X 4.00 - 5	42295			
13 X 5.00 - 6	41060			
15 X 6.00 - 6	301140	316702	39830	313952
16 X 6.50 - 8		41081		314539
18 X 6.50 - 8				
18 X 9.50 - 8		316701		313950
20 X 8.00 - 8	314584			
20 X 10.00 - 8	58276			313565
20 X 10.00 - 10		55893		
23 X 9.50 - 12	314370			
23 X 9.50 - 12		53655		