

REPAIR PARTS MANUAL

30" - 10 H.P. LAWN TRACTOR

MODEL C3554-130

ONE YEAR LIMITED WARRANTY

For one (1) year from date of purchase by the first consumer for residential use (thirty (30) days commercial use), NOMA Outdoor Products Incorporated warrants that it will replace free of charge, including labor, any original part of any NOMA Outdoor Products Incorporated product found to be defective by any authorized Service Dealer or the factory, except the battery which is warranted for ninety (90) days from date of purchase.

This warranty does not cover engine, transmission, transaxle or differential (these items are covered by their manufacturer's own warranty). This warranty does not cover parts that have failed due to normal wear or parts that have failed subject to misuse or abuse. Transportation of the unit or part to and from an authorized Service Dealer or factory is the responsibility of the owner.

A step by step explanation as to what procedure should be followed for this warranty is:

1. If a part becomes defective, contact the store where the unit was purchased for the name and address of the authorized Service Dealer nearest to you.
2. If you cannot locate an authorized Service Dealer, write Service Department of NOMA Outdoor Products Incorporated for the name and address of the authorized Service Dealer in your area or call the Service Department at 1-901-422-1690.
3. Return the defective product, along with proof of purchase to such authorized Service Dealer for replacement of any defective part where covered by this warranty.

There is no other express warranty. Implied warranties, including those of merchantability and fitness for a particular purpose are limited to one (1) year from date of purchase. Liability for incidental or consequential damages are excluded.

Some states do not allow limitations on how long an implied warranty lasts, so the above limitation may not apply to you. Some states do not allow the exclusion of incidental or consequential damages, so the above exclusion may not apply to you. This warranty gives you specific legal rights, and you may have other rights which vary from state to state.

NOMA Outdoor Products Incorporated **Caller 8000** **Jackson, TN 38308-8000**

UNIT PARTS AND SERVICE

Fill in and mail the registration card packed with the unit. For service other than covered in this manual, contact an authorized service dealer. A nationwide parts and service organization has been established to provide locally available parts and service. When ordering repair parts, always give the following information: 1. The Part Name; 2. The Part Number; 3. The Quantity desired; 4. The Full (eight digit) Model Number of the unit. The model number will be found on a plate attached to the unit.



Look for this symbol. It means - ATTENTION! BECOME ALERT! A HAZARD TO OPERATOR, BYSTANDER, PROPERTY OR EQUIPMENT MAY EXIST.



NOMA Outdoor Products Incorporated
Caller 8000

Part No. 324010

Jackson, TN 38308-8000

4691

SAFETY RULES

 **CAUTION: ALWAYS DISCONNECT SPARK PLUG WIRES AND PLACE THEM WHERE THEY CANNOT CONTACT SPARK PLUG TO PREVENT ACCIDENTAL STARTING WHEN SETTING-UP, TRANSPORTING, ADJUSTING OR MAKING REPAIRS.** 

IMPORTANT

THIS CUTTING MACHINE IS CAPABLE OF AMPUTATING HANDS AND FEET AND THROWING OBJECTS. FAILURE TO OBSERVE THE FOLLOWING SAFETY INSTRUCTIONS COULD RESULT IN SERIOUS INJURY OR DEATH.

I. GENERAL OPERATION:

- Know controls and how to stop quickly.
- Read, understand, and follow all instructions in the manual and on the machine before starting.
- Only allow responsible adults, who are familiar with instructions, to operate the machine.
- Wear safety glasses or eye shields when assembling or operating the machine.
- Do not operate machine when barefooted. Always wear substantial footwear, preferably steel-toed shoes.
- Do not wear loose fitting clothing that could get caught in moving parts.
- Clear the area of objects such as rocks, toys, wire, etc., which could be picked up and thrown by the blade(s).
- Be sure the area is clear of other people before mowing. Stop machine if anyone enters the area.
- Never carry passengers.
- Do not mow in reverse unless absolutely necessary. Always look down and behind before and while backing.
- Be aware of the mower discharge direction and do not point it at anyone. Do not operate the mower without either the entire grass catcher or the guard in place.
- Slow down before turning.
- Never leave a running machine unattended. Always turn off blades, set parking brake, stop engine, and remove keys before dismounting.
- Turn off blade(s) when not mowing.
- Stop engine before removing grass catcher or unclogging chute.
- Mow only in daylight or good artificial light.
- Do not operate the machine while under the influence of alcohol or drugs.
- Watch for traffic when operating near or crossing roadways.
- Use care when mowing around a fixed object to prevent the blade(s) from striking it. Never deliberately run over any foreign object.
- Use extra care when loading or unloading the machine into a trailer or truck.
- Use care when pulling loads or using heavy equipment.
 - a. Use only approved drawbar hitch points.
 - b. Limit loads to those that you can safely control.
 - c. Do not turn sharply. Use care when backing.
 - d. Use counterweight(s), wheel weight or tire chains when suggested in attachment(s) instructions.

II. SLOPE OPERATION:

Slopes are a major factor related to loss-of-control and tip-over accidents, which can result in severe injury or death. *All slopes require extra caution.* If you cannot back up the slope or if you feel uneasy on it, do not mow it.

DO

- Mow up and down slopes, not across.
- Remove obstacles such as rocks, tree limbs, etc.
- Watch for holes, ruts, or bumps. Uneven terrain could overturn the machine. *Tall grass can hide obstacles.*
- Use slow speed. Choose a low gear so that you will not have to stop or shift while on the slope.
- Follow the manufacturer's recommendations for wheel weights or counterweights to improve stability.
- Use extra care with grass catchers or other attachments. These can change the stability of the machine.
- Keep all movement on the slopes *slow* and *gradual*. Do not make sudden changes in speed or direction.
- Avoid starting or stopping on a slope. If tires lose traction, turn off the blade(s) and proceed slowly *straight* down the slope.

DO NOT

- Do not turn on slopes unless necessary, and then slowly and gradually downhill, if possible.
- Do not mow near drop-offs, ditches or embankments. The

mower could suddenly turn over if a wheel is over the edge of a cliff or ditch, or if an edge caves in.

- Do not mow on wet grass. Reduced traction could cause sliding.
- Do not try to stabilize the machine by putting your foot on the ground.
- Do not use grass catcher on steep slopes.

III. CHILDREN:

Tragic accidents can occur if the operator is not alert to the presence of children. Children are often attracted to the machine and the mowing activity. *Never* assume that children will remain where you last saw them.

- Keep children out of the mowing area and under the watchful care of another responsible adult.
- Be alert and turn machine off if children enter the area.
- Before and when backing, look behind and *down* for small children.
- Never carry children. They may fall off and be seriously injured or interfere with safe machine operation.
- Never allow children to operate the machine.
- Use extra care when approaching blind corners, shrubs, trees, or other objects that may obscure vision.

IV. SERVICE:

- Use extra care in handling gasoline and other fuels. They are flammable and vapors are explosive.
 - a. Use only an approved container.
 - b. Never remove gas cap or add fuel with the engine running. Allow engine to cool before refueling. Do not smoke.
 - c. Never refuel the machine indoors.
 - d. Never store the machine or fuel container inside where there is an open flame, such as in a water heater.
- Check fuel supply before each use allowing space for expansion as the heat of the engine and/or sun can cause gasoline to expand and overflow the tank.
- Use extra care when handling battery acid. Acid contact with skin may cause severe burns. Eye contact may cause blindness.
- Use extra care when servicing the battery. Explosive gas is produced in the battery. Do not service the battery while smoking or near an open spark or flame. This may cause the battery to explode causing serious injury.
- Never run a machine inside a closed area. Exhaust fumes contain CARBON MONOXIDE, an ODORLESS and DEADLY GAS.
- Keep nuts and bolts, especially blade attachment bolts, tight and keep equipment in good condition.
- Never tamper with safety devices. Check their operation regularly.
- Do not change the engine governor settings or overspeed engine.
- Reduce fire hazards. Keep machine free of grass, leaves, or other debris build-up. Clean up oil or fuel spillage. Allow machine to cool before storing.
- Stop and inspect the equipment if you strike an object. Repair, if necessary, before restarting.
- Never make adjustments or repairs with the engine running.
- Grass catcher components are subject to wear, damage, and deterioration, which could expose moving parts or allow objects to be thrown. Frequently check components and replace with manufacturer's recommended parts, when necessary.
- Mower blade(s) are sharp and can cut. Wrap the blade(s) or wear gloves, and use extra caution when servicing them.
- Check brake operation frequently. Adjust and service as required.



LOOK FOR THIS SYMBOL TO POINT OUT IMPORTANT SAFETY PRECAUTIONS. IT MEANS--ATTENTION!!! BECOME ALERT!!! YOUR SAFETY IS INVOLVED.

OWNER'S INFORMATION

Record the following information about your unit so that you will be able to provide it in case of loss or theft.

MODEL NUMBER: - (Enter complete 8 digit number from model plate on unit)
PURCHASE DATE: ____ / ____ / ____ CODE NO.: _____ SERIAL NO.: _____
DEALER'S NAME AND ADDRESS: _____
CITY: _____ STATE: _____ TELEPHONE: _____

CONTENTS OF SHIPPING CARTON

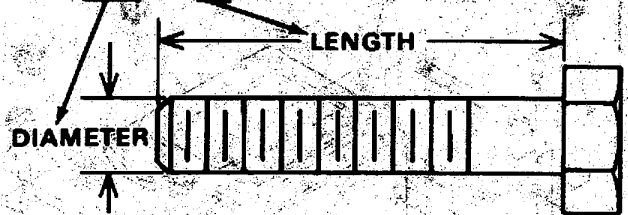
- 1 - Lawn Tractor with 30 inch Mower Deck
- 1 - Operator's Manual
- 1 - Repair Parts Manual
- 1 - Engine Manual
- 1 - Steering Wheel (see Note)
- 1 - Seat (see Note)
- 1 - Bag of Assembly Parts Containing (see Note):
 - 1 - Oil Drain Trough
 - 1 - Steering Sleeve
 - 4 - 5/16 x 3/4 inch Hex Head Screws
 - 4 - 5/16 inch Split Lockwashers
 - 4 - 11/32 inch Flatwashers
 - 1 - Roll Pin

NOTE: Refer to page 26 (Customer Assembly Parts) for more detailed description.

TOOLS REQUIRED FOR ASSEMBLY

- 2 - 7/16 inch Wrenches (or adjustable wrench)
- 1 - 1/2 inch Wrench (or adjustable wrench)
- 1 - Small-Phillips Screwdriver with a 1/4 inch shank
- 1 - Hammer

HOW TO MEASURE SCREW SIZE (5/16 x 1 1/2 INCH)



DANGER



This lawn tractor can be dangerous if carelessly used.

Read your Operator's Manual thoroughly before operating your lawn tractor.

Always wear safety glasses or eye shields while assembling or operating your lawn tractor.

DO NOT carry passengers at any time.

Keep your hands, feet, hair and loose clothing away from the discharge area, the underside of the mower deck or any moving parts while the engine is running.

DO NOT allow children or young teenagers to operate or be near your lawn tractor while it is operating.

ALWAYS GIVE THE FOLLOWING INFORMATION WHEN ORDERING REPAIR PARTS:

1. The PART NUMBER; 2. The PART NAME; 3. QUANTITY DESIRED; 4. The MODEL NUMBER (As shown on Model Plate).

SEND PART ORDERS AS PER INSTRUCTIONS ON THE FRONT PAGE.

DO NOT USE KEY NUMBERS WHEN ORDERING REPAIR PARTS. ALWAYS USE PART NUMBERS.

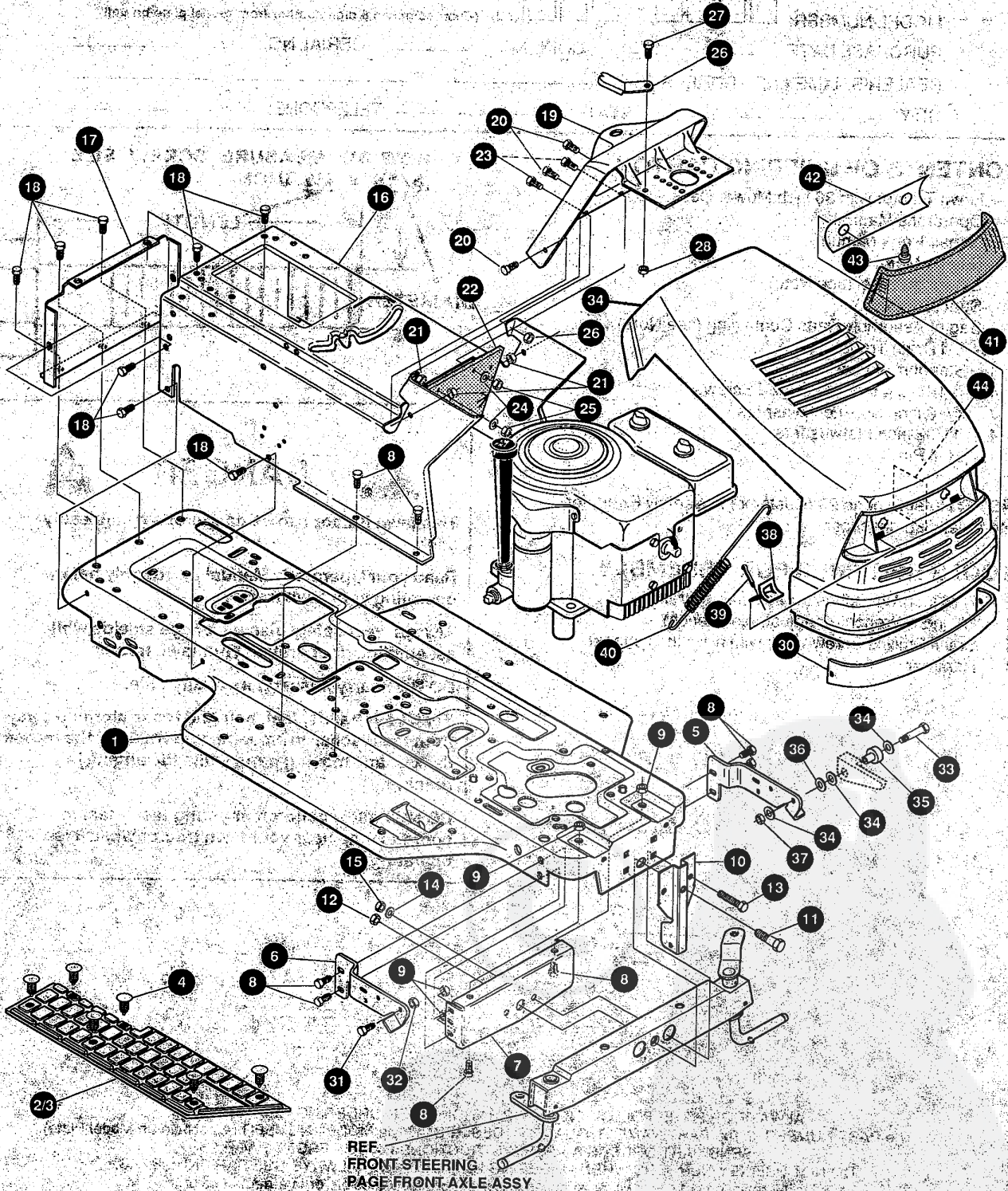
All replacement parts will be supplied in current production colors or in a neutral color.

A handling fee is applicable to small parts orders.

YOUR UNIT IS RIGHT HAND (RH) OR LEFT HAND (LH) AS YOU STAND BEHIND IT.

30" LAWN TRACTOR MODEL C3554-130

CHASSIS & HOOD ASSEMBLY



REF.
FRONT STEERING
PAGE FRONT AXLE ASSY

NOTE: ALWAYS USE ORIGINAL EQUIPMENT PARTS. Use of service/replacement parts other than original equipment parts may void your warranty.

ALL UNNUMBERED ITEMS ARE INTERCHANGABLE WITH OPPOSITE SIDE

321862A

30" LAWN TRACTOR MODEL C3554-130

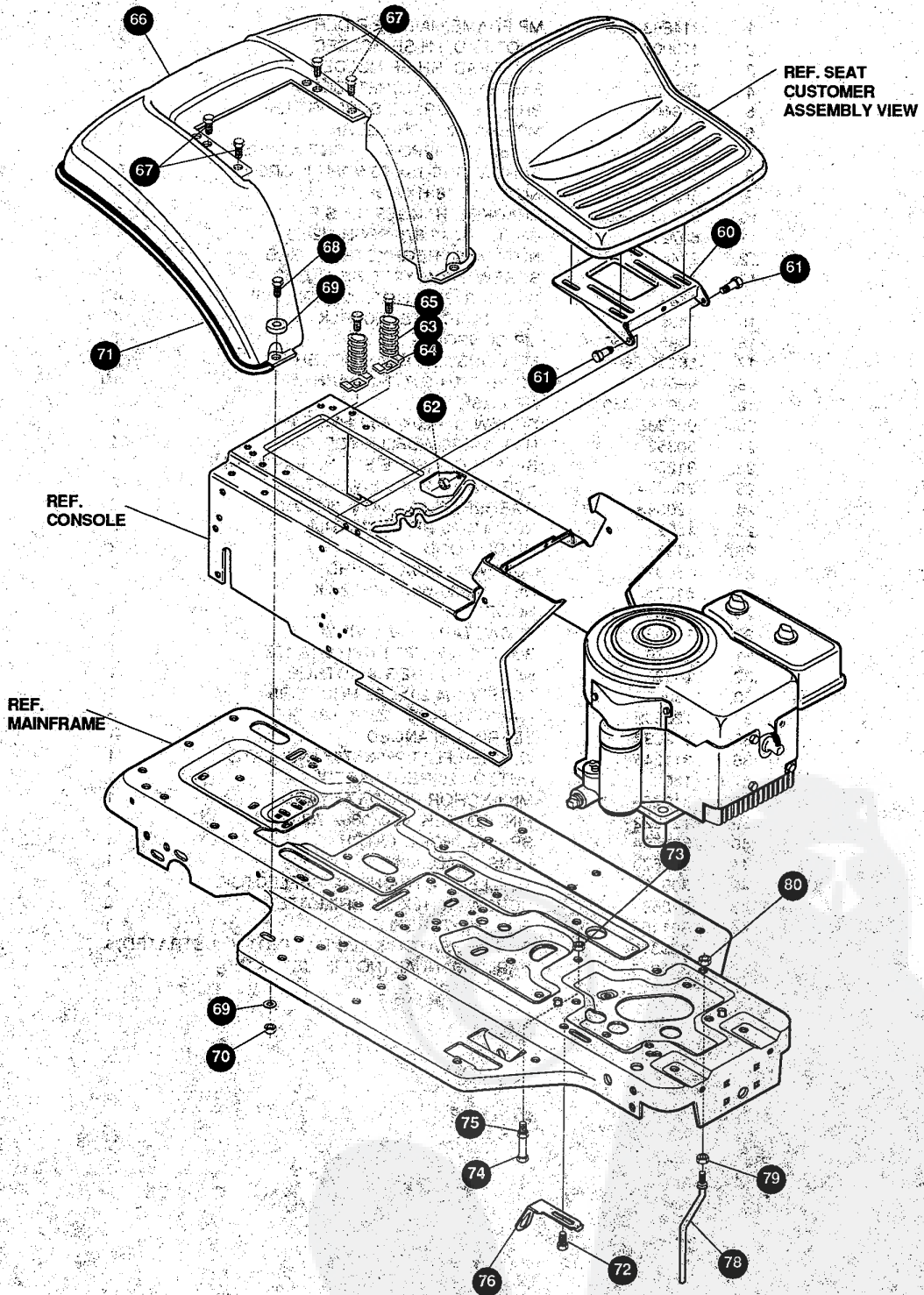
30" LAWN TRACTOR MODEL C3554-130

key#	part#	description	qty.
1.	314883-853	MP FRAME,MAIN,SF RIDER	1
2.	310003	FOOT-PAD, LH SF MOLDED	1
3.	310004	FOOT PAD, RH SF MOLDED	1
4.	309235	FASTENER, RATCHET, BLACK	12
5.	313001	BRACKET, GRILLE SUPPORT LH	1
6.	313002	MP BRACKET,GRILLE RH	1
7.	56362	MF BRKT,SUPPORT,FRONT AXLE-SF	1
8.	56030	SCREW, 5/16-18X.75WDFLLK GR5 Z	6
9.	55273	NUT, 5/16-18 HXWDFLLK	6
10.	321136-860	BRACKET, HANGER 30" S.F.	1
11.	50720	BOLT, .625X2.875 SPSH,1/2-20	1
12.	274654	NUT, 1/2-20 REGHXCTRLK GRB	1
13.	122201	SCREW, 3/8-16X2.75 HHC GR2	4
14.	2483	WASHER, .39IDX1.25DX.07 BELLVIL	4
15.	1499	NUT, 3/8-16 REGHXCTRLK	4
16.	319539-860	MP CONSOLE	1
17.	56235-860	MP CONSOLE REAR COVER	1
18.	995346	SCREW, 1/4-20X .50 WAHHTAP	15
19.	320466-860	MP DASH	1
20.	995338	SCREW, 1/4-20X .63 HHWATAP	4
21.	50352	NUT, 1/4-20 WDFLLK TOPLOCK	4
22.	312306	BAFFLE CONSOLE SOUND EXPORT LF	1
23.	300314	SCREW, 1/4-20X .88WAHHTAP	2
24.	120393	WASHER, FLAT .344X .69X.065	2
25.	1502	NUT, 1/4-20 REGHEXCTRLK	2
26.	313021	GUIDE,HOOD	2
27.	180018	SCREW, 1/4-20X .62 HHC	2
28.	51335	NUT, 1/4-20 WDFLWHIZ-LK	2
29.	302671-660	HOOD	1
30.	319986	DECAL TAPE 8MIL VINYL	1
31.	56676	BOLT, .375X .580 HSH 5/16-18Z	1
32.	1498	NUT, 5/16-18 REGHEXCTRLK	1
33.	180037	SCREW, 1/4-20X1.63 HHC GR5	1
34.	120392	WASHER, FLAT .281X .63X.065	3
35.	309532	BEARING, FLANGED	1
36.	311245	WASHER, FLAT .250X .75X.INSULATE	1
37.	1502	NUT, 1/4-20 REGHEXCTRLK	1
38.	310750	ML ANCHOR,HOOD LANYARD	1
39.	121222	PIN, COTTER .090/086X.75LG	1
40.	304784	SPRING, HOOD LATCH	1
41.	302670	LENS, HEADLAMP	1
42.	308492	FOIL LENS DYNA HOOD REFLECTOR	1
43.	57366	SCREW, 1/4-16X .50 DRILLTITE	2
44.	301452	FOIL, HEAT REFLECTOR	1
	329310	ENG OPERATOR'S MANUAL (NOT ILLUSTRATED)	1
	324010	PARTS MANUAL (NOT ILLUSTRATED)	1

30" LAWN TRACTOR MODEL C3554-130

30" LAWN TRACTOR MODEL C3554-130

CHASSIS & HOOD ASSEMBLY



NOTE: ALWAYS USE ORIGINAL EQUIPMENT PARTS. Use of service/replacement parts other than original equipment parts may void your warranty.

ALL UNNUMBERED ITEMS ARE INTERCHANGABLE WITH OPPOSITE SIDE

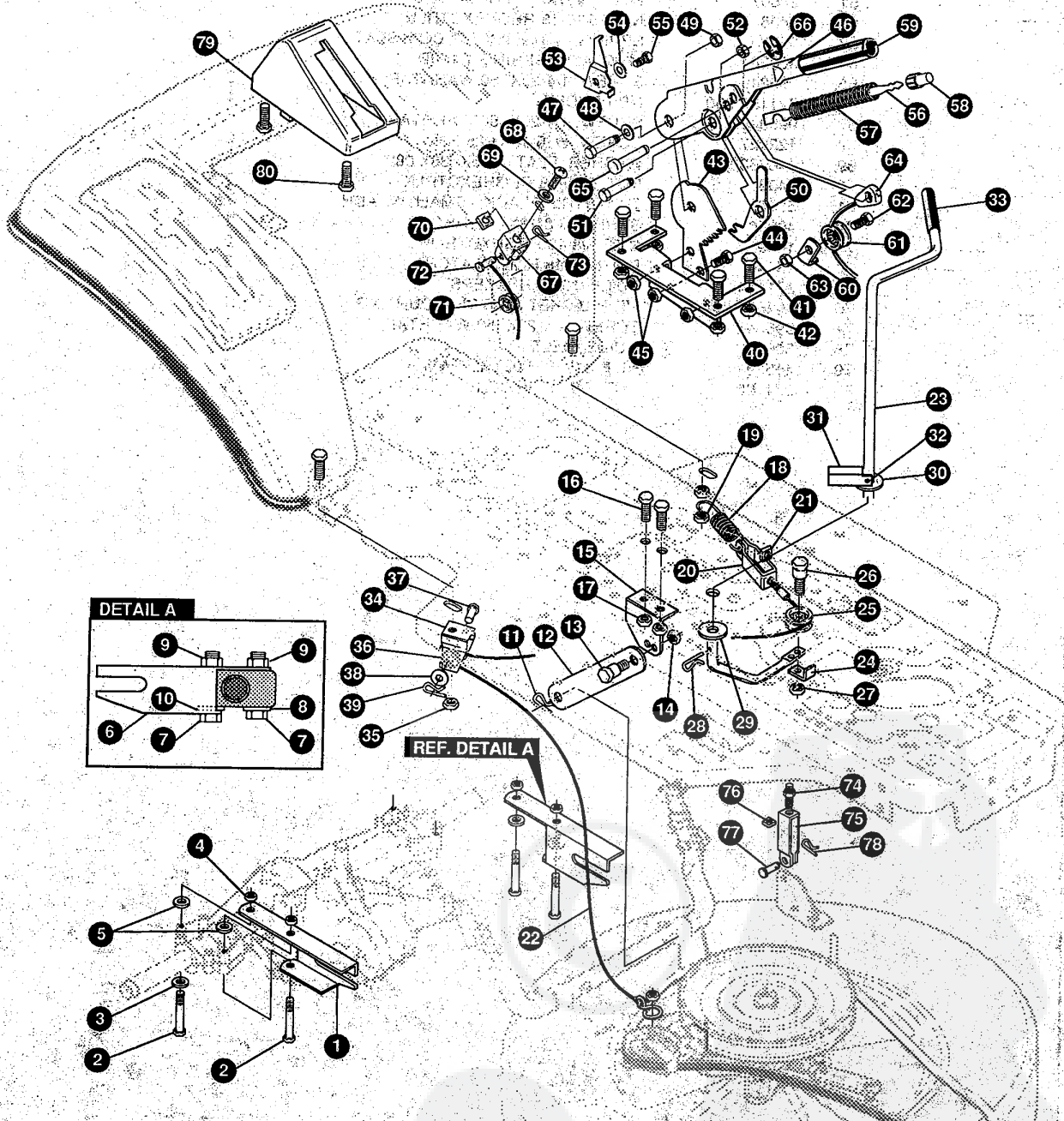
321862A

30" LAWN TRACTOR MODEL C3554-130

30" LAWN TRACTOR MODEL C3554-130

key#	part#	description	qty
60.	58367-860	MP PLATE,SEAT	1
61.	20507	BOLT, .437X .156 HSSH 5/16-18	2
62.	1498	NUT, 5/16-18 REGHEXCTRLK	2
63.	56220	SPRING,1.43X2.38X.162 COM SEAT	2
64.	300284	ML CLAMP, SPRING 1.17"ID	2
65.	995346	SCREW, 1/4-20X .50 WAHTAP	2
66.	321156-860	MP FENDER	1
67.	995346	SCREW, 1/4-20X .50 WAHTAP	4
68.	122027	SCREW, 5/16-18X1.25 HHC	2
69.	446363	WASHER, FLAT .375X .88X.082	2
70.	1498	NUT, 5/16-18 REGHEXCTRLK	2
71.	55021	TRIM STRIP, BLACK—SMALL, W/ ADH	75
72.	49930	SCREW, 3/8-16X7.50 HHC	1
73.	1499	NUT, 3/8-16 REGHXCTRLK	2
74.	53446	PIN, 5/16-18 HOOD LATCH	2
75.	271184	NUT, 5/16-18 HEXKEPS	2
76.	302610-860	MP BRACKET, SWITCH MOUNTING	1
77.	995346	SCREW, 1/4-20X .50 WAHTAP	1
78.	50653	GUIDE, BELT	1
79.	41529	NUT, 3/8-16 HXCTRLKJAM	1
80.	271190	NUT, 3/8-16 HEXKEPS	1

MOWER SUSPENSION ASSEMBLY



NOTE: ALWAYS USE ORIGINAL EQUIPMENT PARTS. Use of service/replacement parts other than original equipment parts may void your warranty.

ALL UNNUMBERED ITEMS ARE INTERCHANGABLE WITH OPPOSITE SIDE

321324A

30" LAWN TRACTOR MODEL C3554-130

OPTIONAL EQUIPMENT LIST

key#	part#	description	qty
1	313426	BRACKET REAR SUPPORT	1
2	122083	SCREW 5/16-18X2.75 HHC	2
3	120393	WASHER FLAT .344X.69X.065	1
4	1498	NUT 5/16-18 REGHEXCTRLK	2
5	314702	SPACER SLEEVE .344X1.00X.500	2
6	313425	BRACKET REAR SUPPORT	1
7	122083	SCREW 5/16-18X2.75 HHC	2
8	120393	WASHER FLAT .344X.69X.065	1
9	1498	NUT 5/16-18 REGHEXCTRLK	2
10	314702	SPACER SLEEVE .344X1.00X.500	1
11	56180	PIN HAIR .091 DIA X1.62 LG	1
12	314047	BRACKET LIFT BAR	1
13	313560	BOLT .500X.225 HSSH 5/16-18	1
14	1498	NUT 5/16-18 REGHEXCTRLK	1
15	320605	BRACKET LIFT BAR	1
16	180077	SCREW 5/16-18X.75 HHC	2
17	1498	NUT 5/16-18 REGHEXCTRLK	2
18	300473	SPRING TENSION 7.52LG+17LB/IN	1
19	44108	NUT 5/16-18 HWDFLCTRLK	1
20	9405	CLEVIS LIFT CABLE	1
21	120372	NUT 1/4-20 REGSQ	1
22	314520	CABLE CLUTCH	1
23	314877	LEVER CLUTCH	1
24	1288	BRACKET CABLE RETAINER	1
25	48306	PULLEY	1
26	58336	BOLT .375X.375 HSSH	1
27	1502	NUT 1/4-20 REGHEXCTRLK	1
28	8260	PIN HAIR .091 DIA 1.66	1
29	996425	WASHER FLAT .515X.88X.064	1
30	22265	WASHER FLAT .515X1.38X.119	1
31	305225	STOP PTO ENGAGEMENT	1
32	455481	PIN SPRING .187DIA X1.00 LG HVPL	1
33	46478	GRIP HAND	1
34	322682	CLEVIS PTO	1
35	44108	NUT 5/16-18 HWDFLCTRLK	1
36	48306	PULLEY	1
37	300317	PIN CLEVIS	1
38	996416	WASHER FLAT .391X1.00X.125	1
39	8260	PIN HAIR .091DIA X1.66 LG	1
40	58333	BRACKET HEIGHT ADJUST	1
41	180077	SCREW 5/16-18X.75 HHC	4
42	1498	NUT 5/16-18 REGHEXCTRLK	4
43	301238	QUADRANT HEIGHT ADJUST	1
44	180077	SCREW 5/16-18X.75 HHC	2
45	1498	NUT 5/16-18 REGHEXCTRLK	2
46	322678	HANDLE LIFT HEIGHT ADJUST	1
47	300171	BOLT .500X.270HSSH 5/16-18	1
48	996418	WASHER FLAT .506X.75X.024	1
49	44108	NUT 5/16-18 HWDPLCTRLK	1
50	301239	PAWL HEIGHT ADJUST	1
51	300171	BOLT .500X.270 HSSH 5/16-18	1
52	44108	NUT 5/16-18 HWDPLCTRLK	1
53	9435	POINTER HEIGHT ADJUST	1
54	138479	WASHER EXLK .195X.41X.03	1
55	35287	SCREW #8-32X.38 HHWATAPGR2	1
56	303027	ROD ACTUATOR SHORT	1
57	58326	SPRING HEIGHT ADJUST	1
58	58325	KNOB HEIGHT PUSH BUTTON	1
59	58329	GRIP .750 OD W/HOLE BLACK	1
60	9149	BRACKET CABLE RETAINER	1
61	39298	PULLEY	1
62	58336	BOLT .375X.375 HSSH 1/4-20	1
63	1502	NUT 1/4-20 REGHEXCTRLK	1
64	321430	CABLE LIFT 20.50	1
65	300310	PIN CLEVIS	1
66	300311	RING RET E	1
67	9239	CLEVIS	1
68	439455	SCREW 5/16-18X.56PHPNMA	1
69	301551	WASHER .344ID X1.50DX.09	1
70	120373	NUT 5/16-18 SQ	1
71	39298	PULLEY NYLON	1
72	300317	PIN CLEVIS .38 DIA X.81	1
73	8260	PIN HAIR	1
74	120375	NUT 1/4-20 REGHEX	1
75	9405	CLEVIS LIFT CABLE	1
76	120372	NUT 1/4-20 REGSQ	1
77	30522	PIN CLEVIS .312X.812	1
78	121222	PIN COTTER	1
79	300335	LIFT COVER 39" F5	1
80	300340	SCREW #10 X .75 HH PLAST	3

* Indicates STANDARD HARDWARE ITEMS

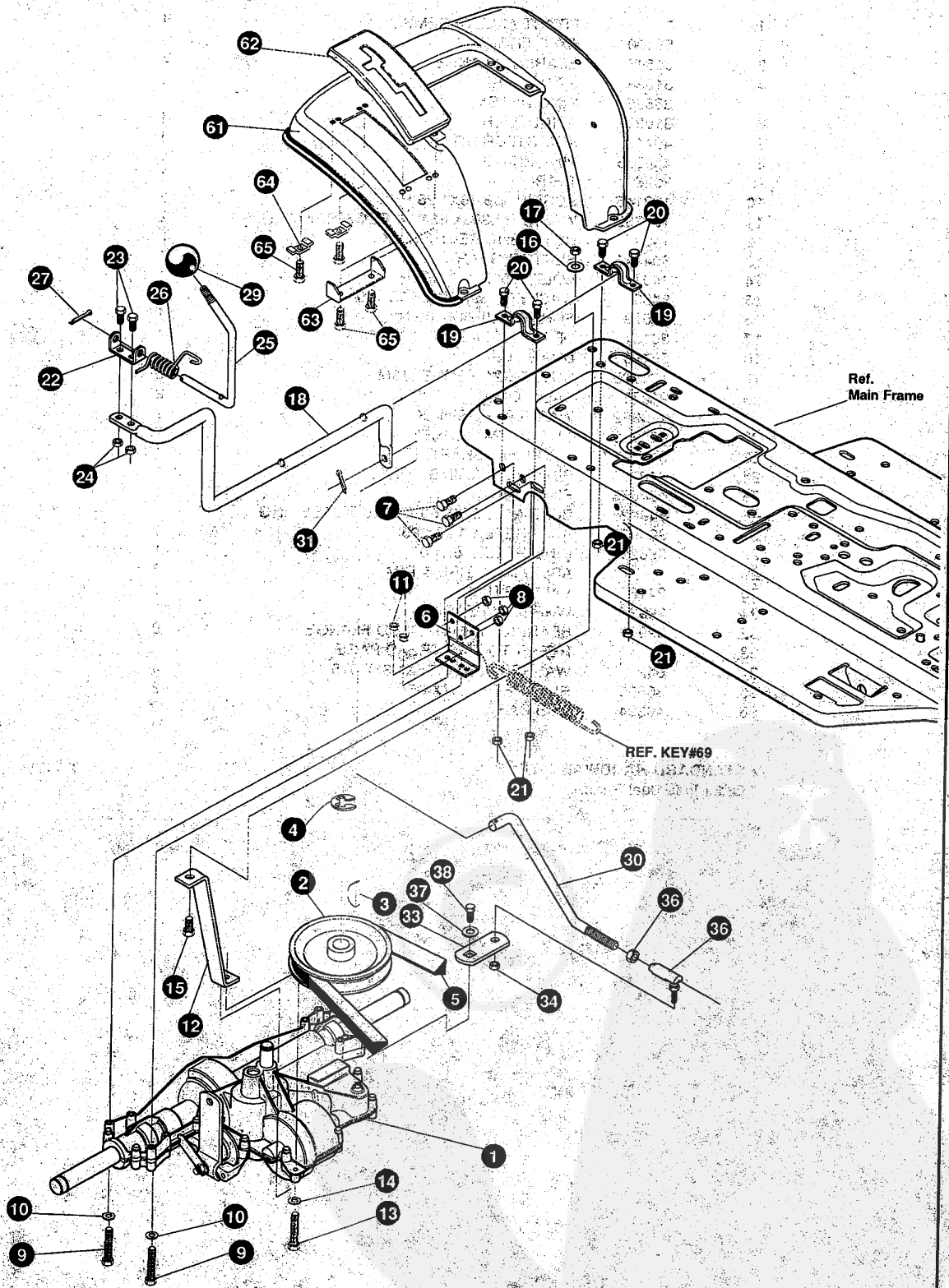
30" LAWN TRACTOR MODEL C3554-130

30" LAWN TRACTOR MODEL C3554-130

key#	part#	description	qty.
1.		FRONT AXLE ASSEMBLY SF	1
2.	56400	AXLE FRONT	1
3.	50546	BEARING FLANGE	4
4.	310368	SPINDLE, RH	1
5.	36625	RING, RETEX	1
6.	310367	SPINDLE, LH	1
7.	49447	ARM, STEERING LH	1
8.	454565	PIN, SPRING	1
9.	302691	TIE ROD	1
10.	122145	SCREW, 3/8-16X1.25 HHC	2
11.	120382	WASHER, .393X.68X.10 REGSPTLK	2
12.	1499	NUT, 3/8-16 REGHCTRLK	2
13.	304245	SECTOR GEAR	1
14.	44011	BOLT, .750X1.40 SPSH	1
15.	2483	WASHER, .391DX1.25ODX.07	1
16.	39573	SCREW, 3/8-24X1.00 NYL	1
17.	56191	DRAG LINK ASSEMBLY	1
18.	56190	DRAG LINK	1
19.	124925	NUT, 3/8-24 REGHEXJAM	2
20.	21275	BALL JOINT	2
21.	120382	WASHER, EGSPTLK	2
22.	120369	NUT, 3/8-24 REGHEX	2
23.	314109-930	STEERING SHAFT	1
24.	44009	PINION, STEERING SHAFT	1
25.	454565	PIN, SPRING	1
26.	54902	BEARING, 1.370X.50 FLANGE STEERING	1
27.	39492	RING, RETEX 1.27X.05	1
28.	36625	RING, RETEX .57X.05	1
29.		ASSEMBLY, TIRE & RIM	2
30.	24167	VALVE SYSTEM	1
31.	39937	WHEEL W/BEARING	1
32.	39979	BEARING, 1.380DX.753ID FLANGE	2
33.		REFER TO TIRE TREAD PAGE	
34.	642	WASHER, FLAT .755X1.31X.075	4
35.	36625	RING, RETEX .57X.05	2
36.	40394	HUB CAP	2

• STANDARD HARDWARE ITEMS
 * Order Individual Parts.

MOTION DRIVE ASSEMBLY



REF. KEY#69

NOTE: ALWAYS USE ORIGINAL EQUIPMENT PARTS.
Use of service/replacement parts other than original equipment parts may void your warranty.

**ALL UNNUMBERED
ITEMS ARE INTERCHANGABLE
WITH OPPOSITE SIDE**

321948A

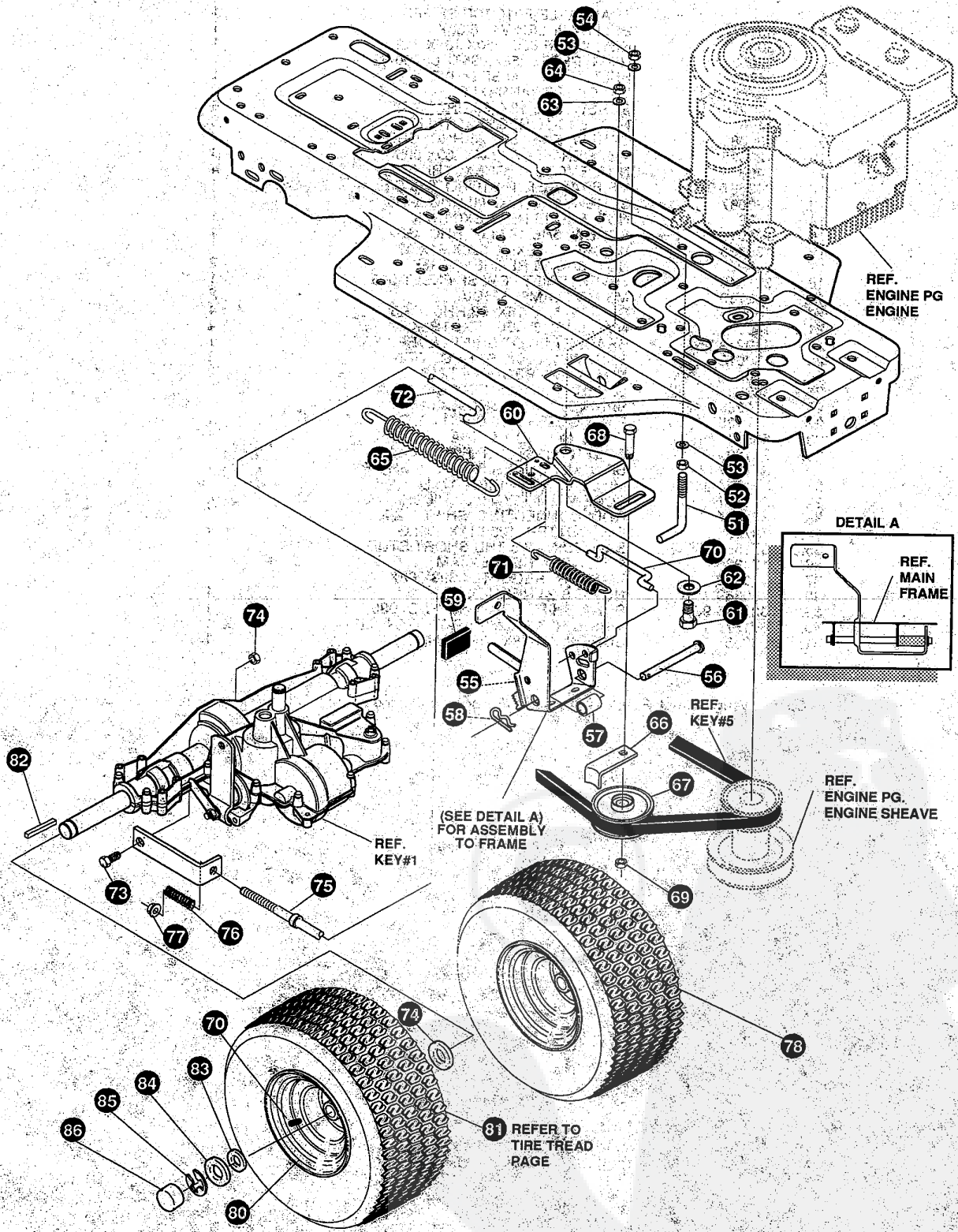
30" LAWN TRACTOR MODEL C3554-130

30" LAWN TRACTOR MODEL C3554-130

key#	part#	description	qty.
1.	~	TRANSAXLE P915-5SP SF FER	1
2.	302745	PULLEY, IDLER V4L 6.60X	1
3.	3021	KEY, WDRF 606 .750X.187X.312	1
4.	22053	RING, RETEX .58X.035TRU5100-62	1
5.	54758	BELT, V 4L 82.00 SF DRIVE	1
6.	53768-853	BRACKET, TRANSAXLE	2
7.	120228	SCREW, 5/16-18X .63 HHC GR2	6
8.	1498	NUT, 5/16-18 REGHEXCTRLK	6
9.	180089	SCREW, 5/16-18X2.25 HHC GR5	4
10.	120393	WASHER, FLAT .344X .69X.065	4
11.	1498	NUT, 5/16-18 REGHEXCTRLK	4
12.	313587-930	MF BRACKET, T/A TORQ 915 S/F	1
13.	180087	SCREW, 5/16-18X2.00 HHC GR5	1
14.	1498	NUT, 5/16-18 REGHEXCTRLK	1
15.	122017	SCREW, 5/16-18X1.00 HHC GR2	1
16.	138485	WASHER, EXLK 320X.61X.03	1
17.	1498	NUT, 5/16-18 REGHEXCTRLK	2
18.	321849	LEVER, SHIFT LOW SF FNSFT 915	1
19.	302760	MS MF CLAMP .625DIA	2
20.	180075	SCREW, 5/16-18X .63 HHC GR5	4
21.	1498	NUT, 5/16-18 REGHEXCTRLK	4
22.	310213-953	BRACKET, PIVOT SHIFT LEVER LFSF	1
23.	180018	SCREW, 1/4-20X .62 HHC GR5	2
24.	1502	NUT, 1/4-20 REGHEXCTRLK	2
25.	309635	LEVER, SHIFT UPPER SQF 1/2-13	1
26.	310265	SPRING, TORS .56X.95X.095	1
27.	137185	PIN, COTTER .125 DIA X1.00LG	1
28.	55514	KNOB, ROUND 1.50 DIA BLACK	1
29.	311209	COVER PLASTIC LF P930/F4360-6	1
30.	311257-853	BRACKET COVER F-5 FNDR SHIFT	1
31.	300284-953	ML CLAMP SPRING 1.17"ID	2
32.	311331	SCREW, 1/4-15X.44/53 HILOHWA	4
33.	321844	ROD, CONNECTING, SHIFT ZINC	1
34.	137185	PIN, COTTER .125 DIA X1.00LG	1
35.	57158	BALL JOINT 3/8 THD SHORT STUD	1
36.	124925	NUT, 3/8-24 REGHEXJAM	1
37.	120382	WASHER, REGSPTLK.393X.68X.10	1
38.	120369	NUT, 3/8-24 REGHEX	1
39.	321845-930	BRKT, SHIFT LEVER S/F FND 930	1
40.	57157	WASHER, 750X.250 SP-TRANSAXLE	1
41.	56255	SCREW, 1/4-28X .75 NYLHHCGR8	1

~ Contact your nearest Peerless Transaxle dealer for parts and service.

MOTION DRIVE ASSEMBLY



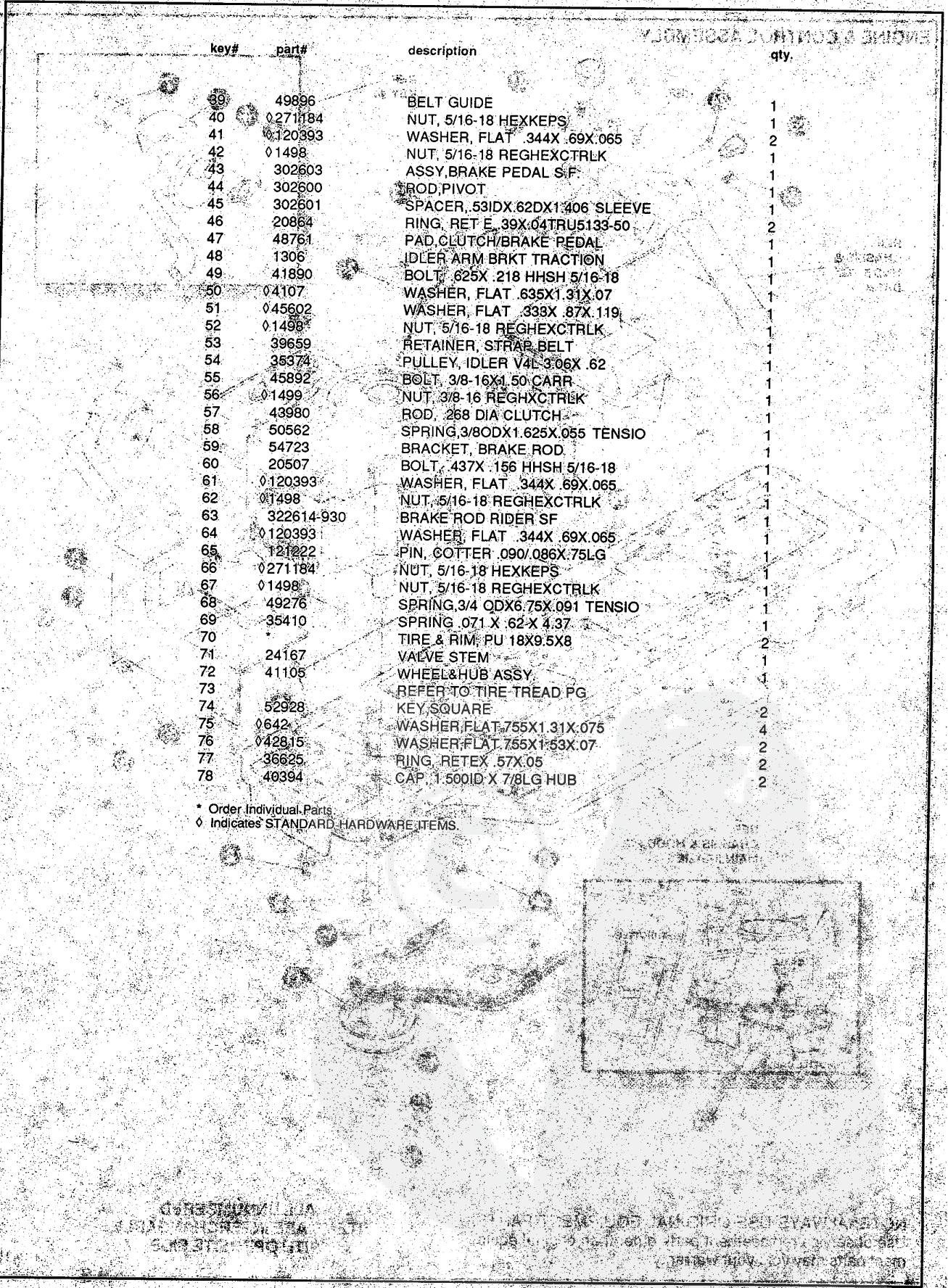
NOTE: ALWAYS USE ORIGINAL EQUIPMENT PARTS
 Use of service/replacement parts other than original equipment parts may void your warranty.

ALL UNNUMBERED ITEMS ARE INTERCHANGABLE WITH OPPOSITE SIDE

321948A

30" LAWN TRACTOR MODEL C3554-130

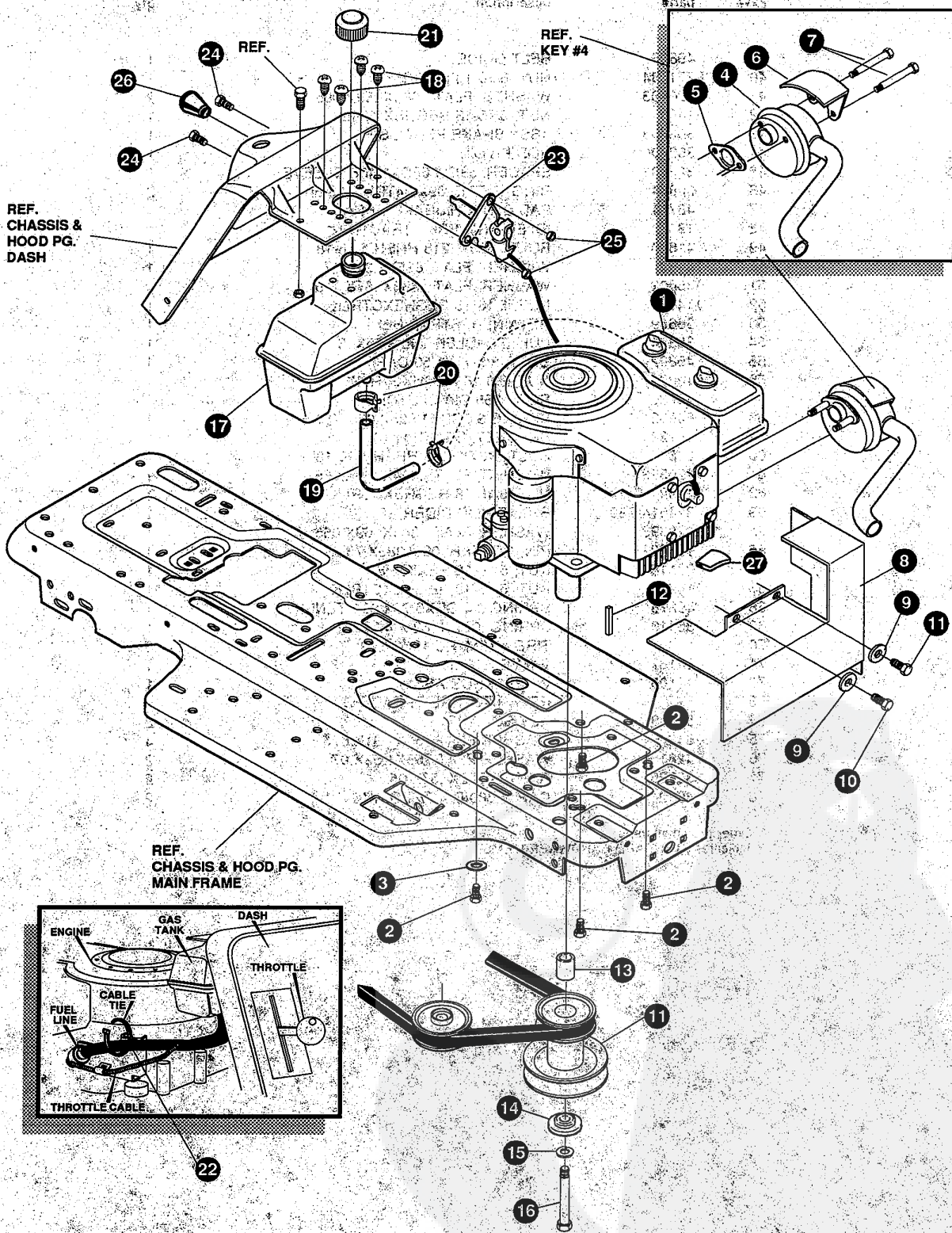
30" LAWN TRACTOR MODEL C3554-130



key#	part#	description	qty.
39	49896	BELT GUIDE	1
40	0271184	NUT, 5/16-18 HEXKEPS	1
41	0120393	WASHER, FLAT .344X.69X.065	2
42	01498	NUT, 5/16-18 REGHEXCTRLK	1
43	302603	ASSY, BRAKE PEDAL SF	1
44	302600	ROD, PIVOT	1
45	302601	SPACER, 53ID X 62DX 1.406 SLEEVE	1
46	20864	RING, RET E, 39X.04TRU5133-50	2
47	48761	PAD, CLUTCH/BRAKE PEDAL	1
48	1306	IDLER ARM BRKT TRACTION	1
49	41890	BOLT, 625X.218 HSSH 5/16-18	1
50	04107	WASHER, FLAT .635X1.31X.07	1
51	045602	WASHER, FLAT .333X.87X.119	1
52	01498	NUT, 5/16-18 REGHEXCTRLK	1
53	39659	RETAINER, STRAP BELT	1
54	35374	PULLEY, IDLER V4L 3.06X.62	1
55	45892	BOLT, 3/8-16X1.50 CARR	1
56	01499	NUT, 3/8-16 REGHXCTRLK	1
57	43980	ROD, 268 DIA CLUTCH	1
58	50562	SPRING, 3/8OD X 1.625X.055 TENSIO	1
59	54723	BRACKET, BRAKE ROD	1
60	20507	BOLT, 437X.156 HSSH 5/16-18	1
61	0120393	WASHER, FLAT .344X.69X.065	1
62	01498	NUT, 5/16-18 REGHEXCTRLK	1
63	322614-930	BRAKE ROD RIDER SF	1
64	0120393	WASHER, FLAT .344X.69X.065	1
65	121222	PIN, COTTER .090/086X.75LG	1
66	0271184	NUT, 5/16-18 HEXKEPS	1
67	01498	NUT, 5/16-18 REGHEXCTRLK	1
68	49276	SPRING, 3/4 QDX 6.75X.091 TENSIO	1
69	35410	SPRING, .071 X .62 X 4.37	1
70		TIRE & RIM, PU 18X9.5X8	2
71	24167	VALVE STEM	1
72	41105	WHEEL & HUB ASSY	1
73		REFER TO TIRE TREAD PG	
74	52928	KEY, SQUARE	2
75	0642	WASHER, FLAT .755X1.31X.075	4
76	042815	WASHER, FLAT .755X1.53X.07	2
77	36625	RING, RETEX .57X.05	2
78	40394	CAP, 1.500ID X 7/8LG HUB	2

* Order Individual Parts
 ◊ Indicates STANDARD HARDWARE ITEMS

ENGINE & CONTROL ASSEMBLY



NOTE: ALWAYS USE ORIGINAL EQUIPMENT PARTS. Use of service/replacement parts other than original equipment parts may void your warranty.

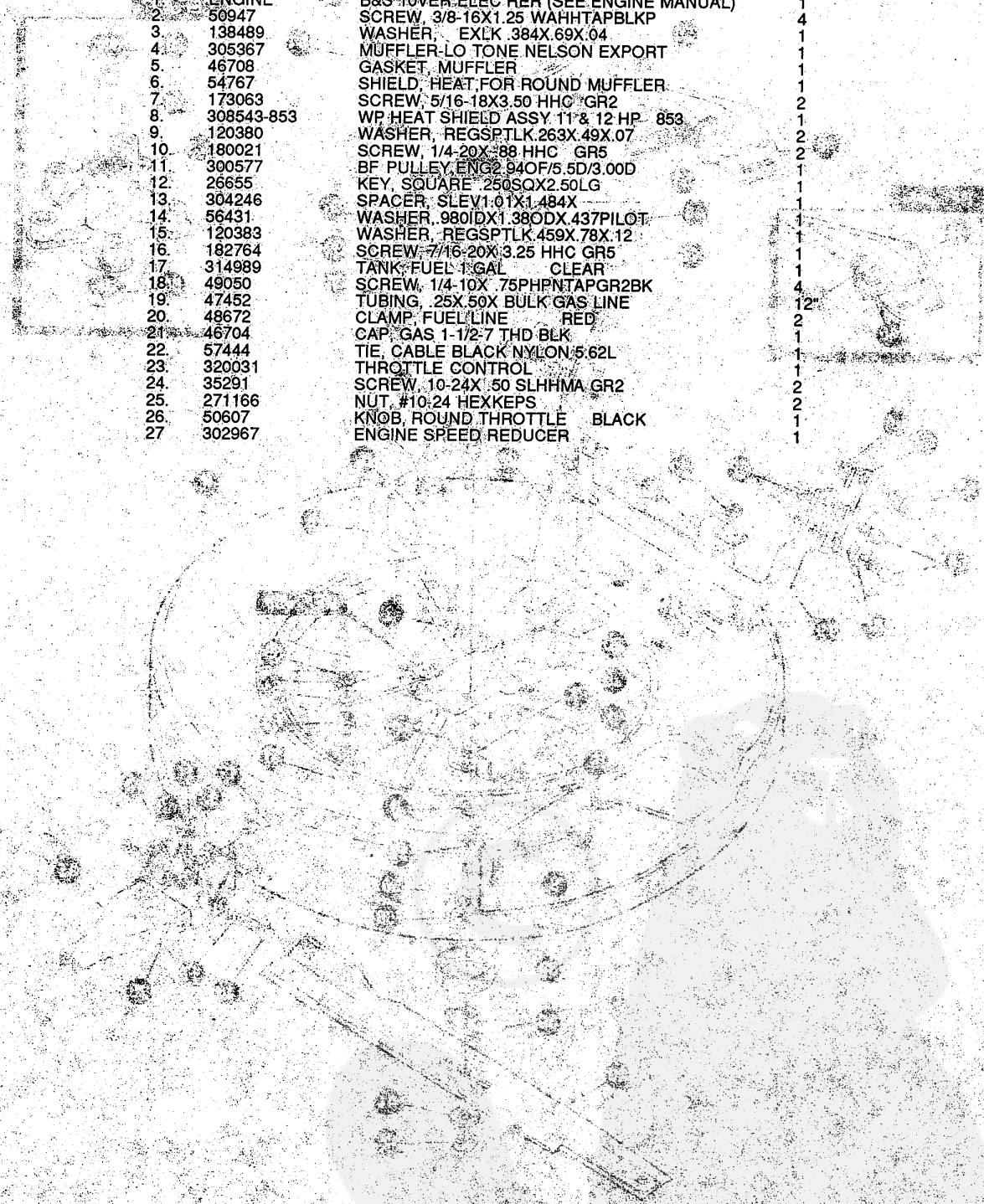
ALL UNNUMBERED ITEMS ARE INTERCHANGABLE WITH OPPOSITE SIDE

323415A

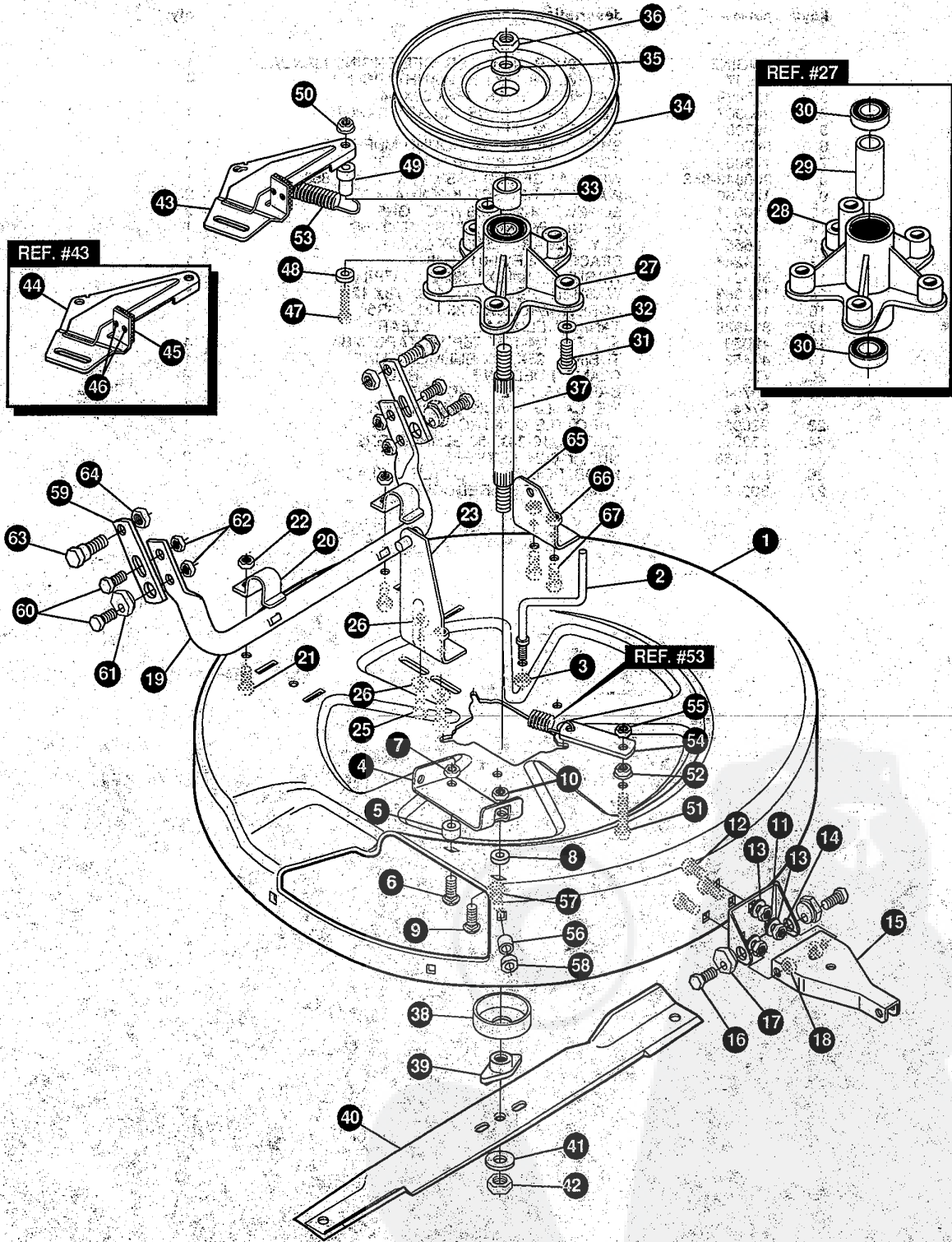
30" LAWN TRACTOR MODEL C3554-130

30" LAWN TRACTOR MODEL C3554-130

key#	part#	description	qty.
1	ENGINE	B&S 10VER.ELEC RER (SEE ENGINE MANUAL)	1
2	50947	SCREW, 3/8-16X1.25 WAHHTAPBLKP	4
3	138489	WASHER, EXLK .384X.69X.04	1
4	305367	MUFFLER-LO TONE NELSON EXPORT	1
5	46708	GASKET, MUFFLER	1
6	54767	SHIELD, HEAT FOR ROUND MUFFLER	1
7	173063	SCREW, 5/16-18X3.50 HHC GR2	2
8	308543-853	WP HEAT SHIELD ASSY 11" & 12 HP 853	1
9	120380	WASHER, REGSPTLK.263X.49X.07	2
10	180021	SCREW, 1/4-20X .88 HHC GR5	2
11	300577	BF PULLEY, ENG 2.94OF/5.5D/3.00D	1
12	26655	KEY, SQUARE .250SQX2.50LG	1
13	304246	SPACER, SLEV1.01X1.484X	1
14	56431	WASHER, .980IDX1.38ODX.437PILOT	1
15	120383	WASHER, REGSPTLK.459X.78X.12	1
16	182764	SCREW, 7/16-20X 3.25 HHC GR5	1
17	314989	TANK, FUEL 1 GAL CLEAR	1
18	49050	SCREW, 1/4-10X .75PHPTAPGR2BK	4
19	47452	TUBING, .25X.50X BULK GAS LINE	12
20	48672	CLAMP, FUEL LINE RED	2
21	46704	CAP, GAS 1-1/2-7 THD BLK	1
22	57444	TIE, CABLE BLACK NYLON 5.62L	1
23	320031	THROTTLE CONTROL	1
24	35291	SCREW, 10-24X .50 SLHHMA GR2	2
25	271166	NUT, #10:24 HEXKEPS	2
26	50607	KNOB, ROUND THROTTLE BLACK	1
27	302967	ENGINE SPEED REDUCER	1



PRE-PAINTED DECK



NOTE: ALWAYS USE ORIGINAL EQUIPMENT PARTS. Use of service/replacement parts other than original equipment parts may void your warranty.

ALL UNNUMBERED ITEMS ARE INTERCHANGABLE WITH OPPOSITE SIDE

323276A

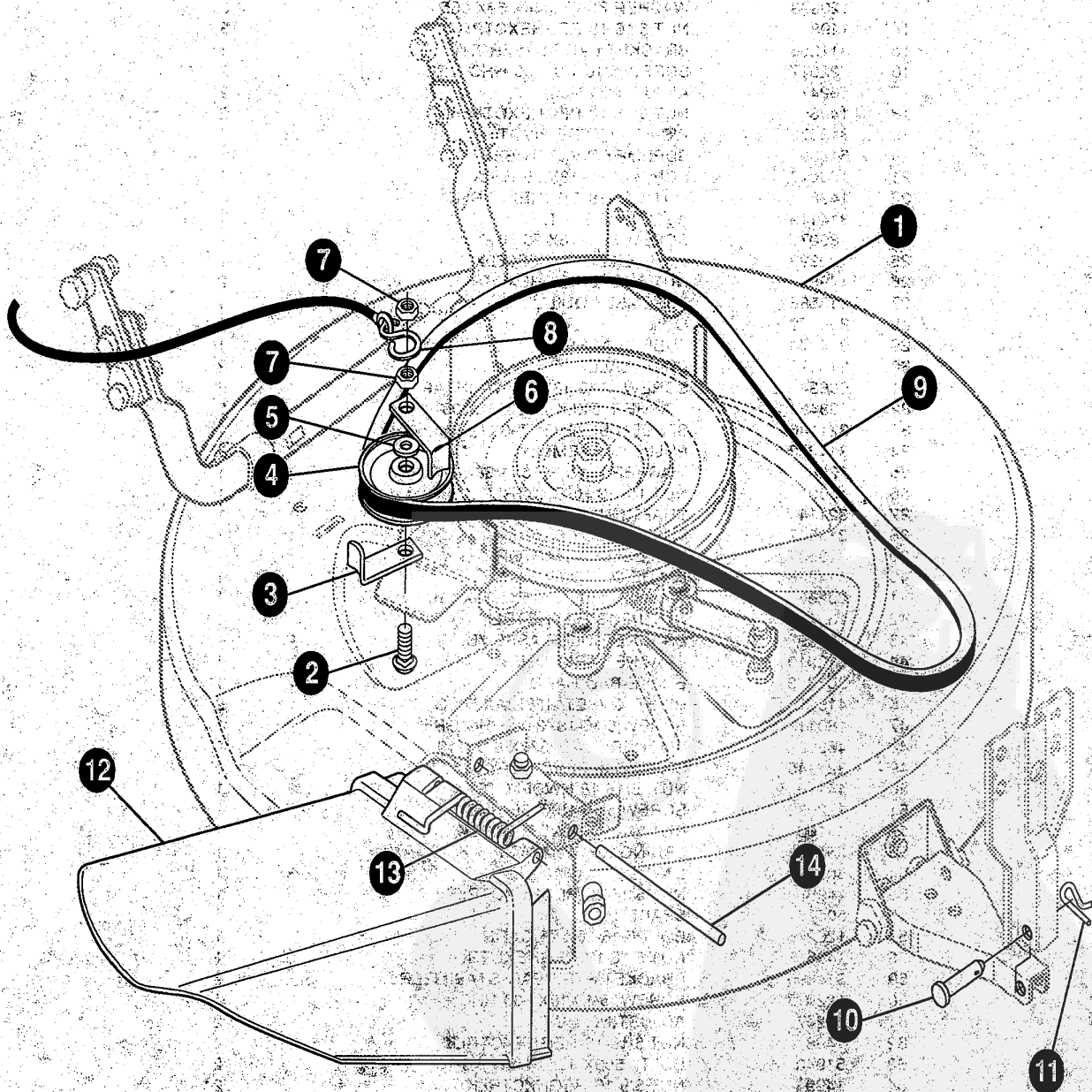
30" LAWN TRACTOR MODEL C3554-130

key#	part#	description	qty.
1	321982-173	DECK, MOWER 30 INCH S.F.	1
2	57318	GUIDE BELT, 5/16-18 THD.	1
3	1498	NUT, 5/16-18 REGHEXCTRLK	1
4	302364	BRACKET CHUTE MOUNT	1
5	314702	SPACER, SLEEVE .344X1.0X5.00	1
6	120230	BOLT, 5/16-18X1.25 CARR GR2	1
7	1498	NUT, 5/16-18 REGHEXCTRLK	1
8	45602	WASHER, FLAT .333X.87X.119	1
9	126216	BOLT, 5/16-18X.75 CARR GR2	1
10	1498	NUT, 5/16-18 REGHEXCTRLK	1
11	311237	MS BRACKET MOUNTING, FRONT	1
12	57072	BOLT, 5/16-18 REGHEXCTRLK	3
13	120393	WASHER, FLAT .344X.69X.065	3
14	1498	NUT, 5/16-18 REGHEXCTRLK	3
15	311236	BRACKET, BAR, TOW, FRONT	1
16	122017	SCREW, 5/16-18X1.00 HHC GR2	2
17	58247	ADJUSTING NUT	2
18	1498	NUT, 5/16-18 REGHEXCTRLK	2
19	313372	WS, ASSY, TUBE, PIVOT	1
20	51985	SUPPORT PIVOT TUBE	1
21	180077	SCREW, 5/16-18X.75 HHC	2
22	1498	NUT, 5/16-18 REGHEXCTRLK	2
23	314119	ASSY LIFT BRKT.	1
24	180077	SCREW, 5/16-18X.75 HHC	2
25	120393	WASHER, FLAT .344X.69X.065	2
26	1498	NUT, 5/16-18 REGHEXCTRLK	2
27	313588	ASSEMBLY QUILL	1
28	314272	QUILL	1
29	314274	TUBE, SPACER	1
30	313576	BRNG, BALL	2
31	50634	SCREW, 5/16-18X.88 WAHTAP	5
32	138485	WASHER, EXLK .320X.61X.03	5
33	321146	SPACER SLEEVE .790X1.250X.500	1
34	314273	PULLEY ASSEMBLY	1
35	22265	WASHER, FLAT .515X1.38X.119	1
36	1500	NUT, 1/2-13 REGHCTRLK	1
37	321144	SHAFT QUILL 30" MOWER S.F.	1
38	313577	SHIELD, DUST, BEARING	1
39	313584	HUB, BLADE ADAPTOR	1
40	314826	BLADE 30" TD MOWER	1
41	22265	WASHER, FLAT .515X1.38X.119	1
42	1500	NUT, 1/2-13 REGHCTRLK	1
43	12229	BRACKET, IDLER ASSEMBLY	1
44	313510	BRACKET, ARM IDLER	1
45	306973	BRAKE, PAD HARD	1
46	41601	RIVET, QVSET .187DIA X.50LG	2
47	180113	SCREW, 5/16-18X3.00 HHC GR5	1
48	45602	WASHER, FLAT .333X.87X.119	1
49	321145	SPACER, SLEEVE .322X.63X2.310	1
50	44108	NUT, 5/16-18 HWDFLCTRLK	1
51	122033	SCREW, 5/16-18X1.38 HHC	1
52	44108	NUT, 5/16-18 HWDFLCTRLK	1
53	35410	SPRING .071X.62X4.37	1
54	302357	LINK	1
55	1498	NUT, 5/16-18 REGHEXCTRLK	1
56	50520	SPACER	1
57	126216	BOLT, 5/16-18X.75 CARR	1
58	1498	NUT, 5/16-18 REGHEXCTRLK	1
59	314099	BRACKET, BAR, REAR STABILIZER	2
60	122017	SCREW, 5/16-18X1.00 HHC	4
61	58247	ADJUSTING NUT	2
62	1498	NUT, 5/16-18 REGHEXCTRLK	4
63	51940	BOLT, 500X.437 HSH 3/8-16	2
64	1499	NUT, 3/8-16 REGHXCTRLK	2
65	320605	BRACKET, BAR LIFT	1
66	1498	NUT, 5/16-18 REGHEXCTRLK	2
67	180077	SCREW, 5/16-18X.75 HHC GR5	2

0 Indicates STANDARD HARDWARE ITEMS.

FINAL DECK ASSEMBLY

SEE DWG # 323276 FOR PARTS
ASSY OF PAINTED DECK



NOTE: ALWAYS USE ORIGINAL EQUIPMENT PARTS.
Use of service/replacement parts other than original equipment parts may void your warranty.

**ALL UNNUMBERED
ITEMS ARE INTERCHANGABLE
WITH OPPOSITE SIDE**

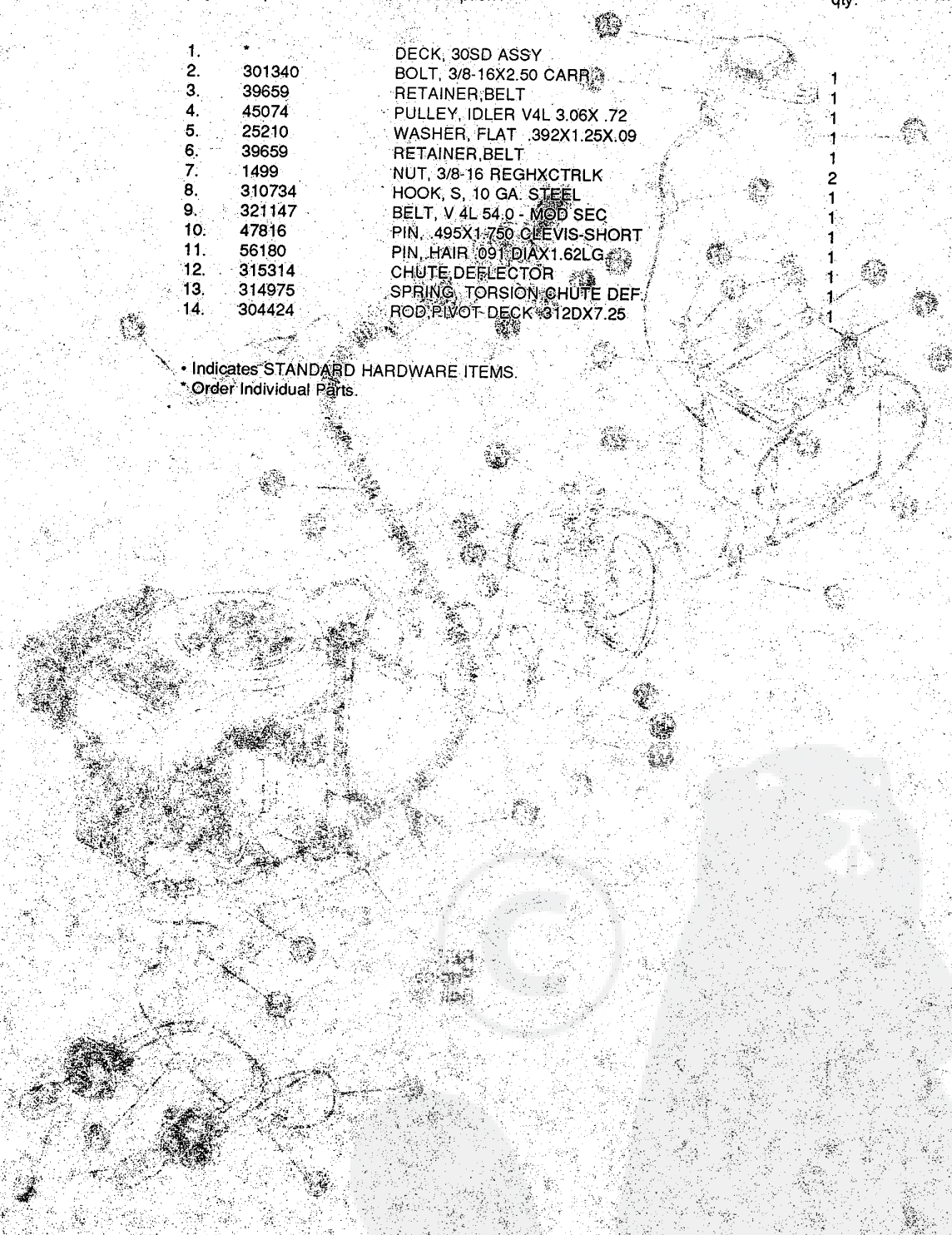
323278A

30" LAWN TRACTOR MODEL C3554-130

30" LAWN TRACTOR MODEL C3554-130

key#	part#	description	qty
1.	*	DECK, 30SD ASSY	
2.	301340	BOLT, 3/8-16X2.50 CARR	1
3.	39659	RETAINER,BELT	1
4.	45074	PULLEY, IDLER V4L 3.06X .72	1
5.	25210	WASHER, FLAT .392X1.25X.09	1
6.	39659	RETAINER,BELT	1
7.	1499	NUT, 3/8-16 REGHXCTRLK	2
8.	310734	HOOK, S, 10 GA. STEEL	1
9.	321147	BELT, V 4L 54.0 - MOD SEC	1
10.	47816	PIN, .495X1.750 CLEVIS-SHORT	1
11.	56180	PIN, HAIR .091 DIA X1.62LG	1
12.	315314	CHUTE,DEFLECTOR	1
13.	314975	SPRING, TORSION CHUTE DEF	1
14.	304424	ROD,PIVOT-DECK 312DX7.25	1

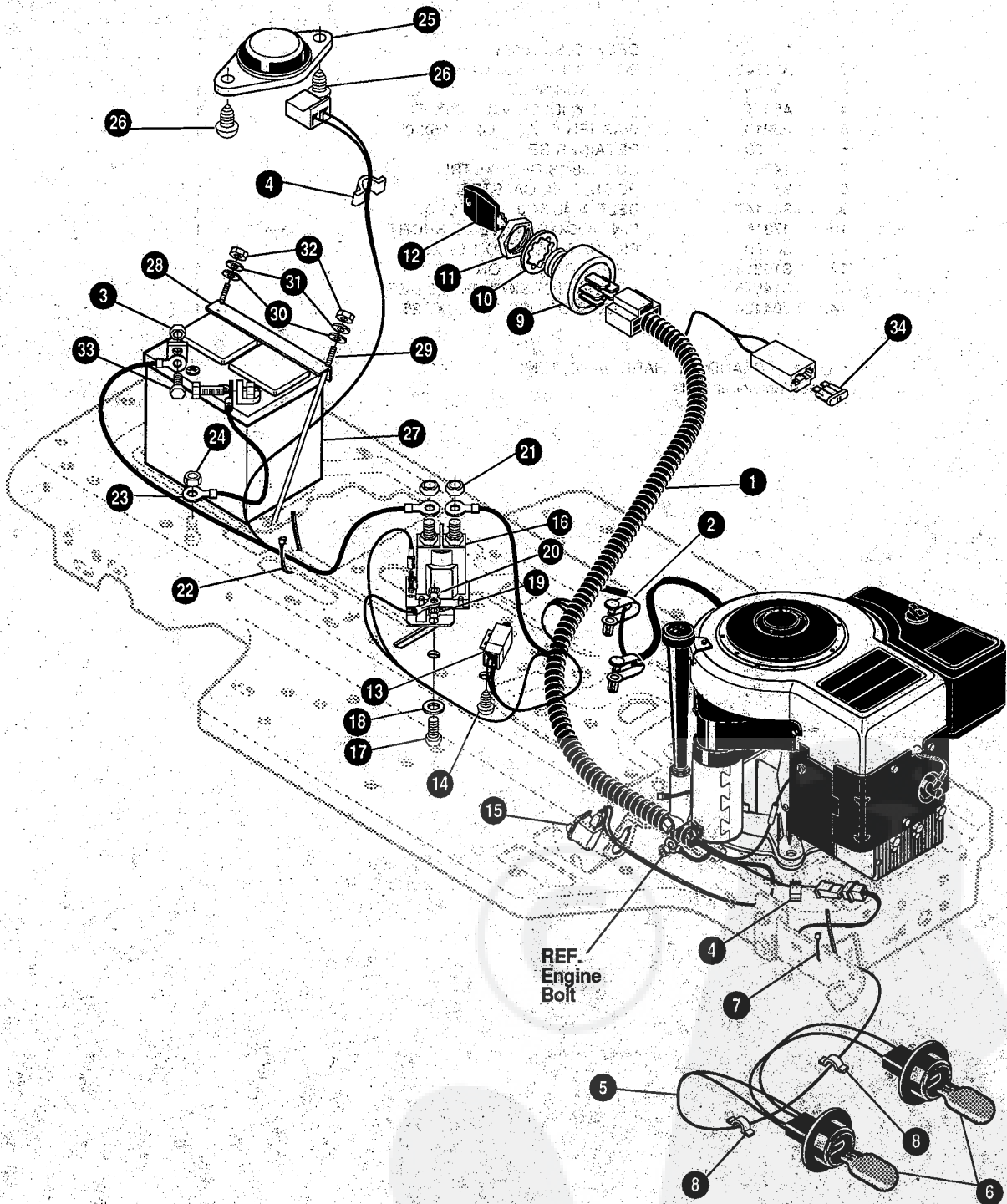
* Indicates STANDARD HARDWARE ITEMS.
 * Order Individual Parts.



30" LAWN TRACTOR MODEL C3554-130

30" LAWN TRACTOR MODEL C3554-130

ELECTRICAL ASSEMBLY



REF.
Engine
Bolt

ALL UNNUMBERED
ITEMS ARE INTERCHANGABLE
WITH OPPOSITE SIDE

NOTE: ALWAYS USE ORIGINAL EQUIPMENT PARTS.
Use of service/replacement parts other than original equip-
ment parts may void your warranty.

321864A

30" LAWN TRACTOR MODEL C3554-130

02-43833-1110M PHOTOABLE MWA 130

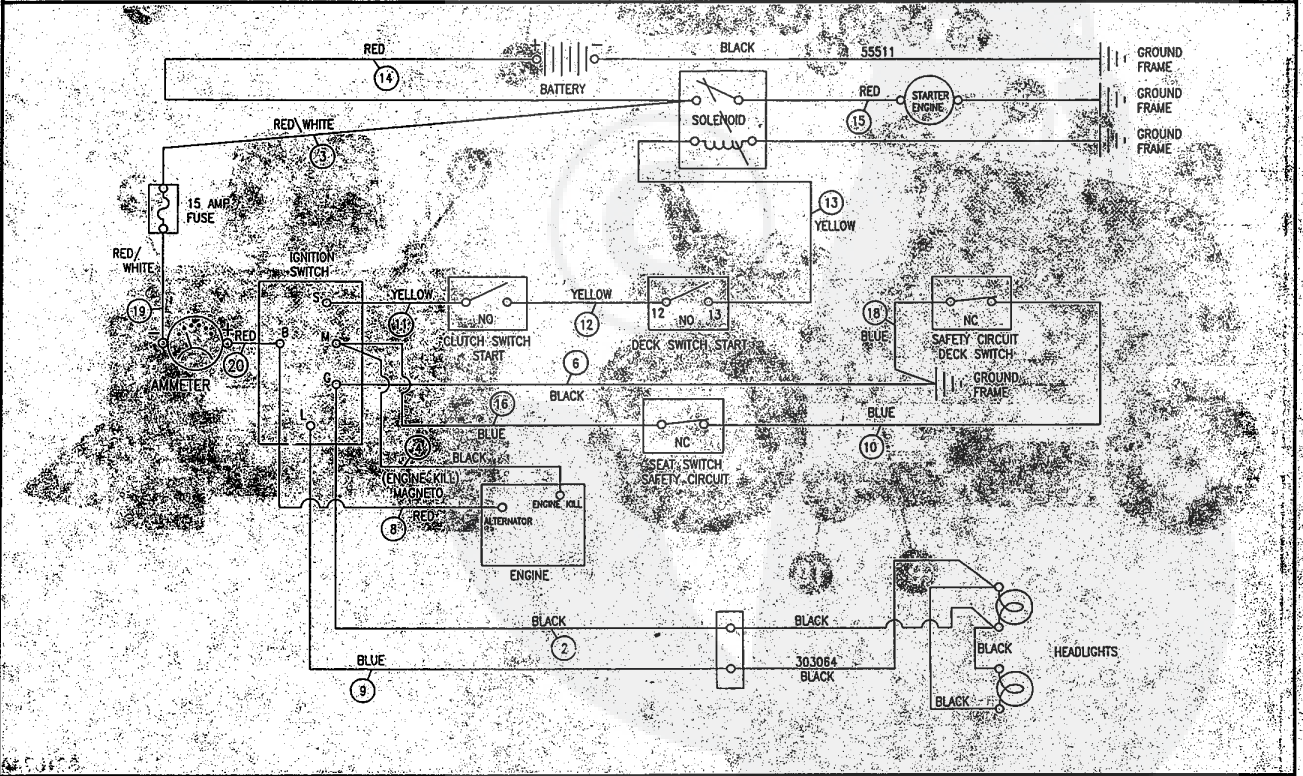
key#	part#	description	qty.
1.	57642	WIRE HARNESS SF 8-12B&S	1
2.	54888	WIRE RETAINER	2
3.	271172	NUT, 1/4-20 REGHEXKEPS	2
4.	41482	PRESS CLIP, 1.380LG .255ID	2
5.	303064	ASSY, LIGHT WIRE-1/4 TURN	1
6.	52572	BULB, HEADLAMP	2
7.	57444	TIE, CABLE-BLACK NYLON 5.62L	1
8.	41482	PRESS CLIP, 1.380LG .255ID	2
9.	300687	SWITCH, IGNITION & LIGHTS	1
10.	138557	WASHER, REGINTLK.640X1.1X.05	1
11.	48140	NUT, 5/8-32 HXHD IGN SWIT	1
12.	49643	2-KEYS & RING, ASSY BLANK	1
13.	57476	SWITCH, SCR MNT DP NC NO-BLK	1
14.	57220	SCREW, #12 X .50 PHPNHTAP BLK	2
15.	300220	SWITCH, SNAP MNT NO .055/116BLK	1
16.	53716	SOLENOID	1
17.	187745	SCREW, 1/4-20X .75 HXSEMMA	2
18.	1084	WASHER, FLAT .281X1.00X.063PL	1
19.	1502	NUT, 1/4-20 REGHEXCTRLK	2
20.	271172	NUT, 1/4-20 REGHEXKEPS	1
21.	271187	NUT, 5/16-24 HKEPS	2
22.	57444	TIE, CABLE BLACK NYLON 5.62L	1
23.	55511	WIRE, GROUND, 12.5"	1
24.	271184	NUT, 5/16-18 HEXKEPS	1
25.	57547	SWITCH, SEAT	1
26.	160505	SCREW, 1/4-20X .38PHPNHMAGR2	2
27.	302257	BATTERY 12V 7 PLATE	1
28.	56360	MF BATTERY BRACKET	1
29.	40234	BATTERY ROD	2
30.	120392	WASHER, FLAT .281X .63X.065	2
31.	120380	WASHER, REGSPTLK.263X.49X.07	2
32.	120375	NUT, 1/4-20 REGHEX	2
33.	120854	SCREW, 1/4-20X .63 HHC GR2	2
34.	302031	FUSE, 15 AMP, SPAPE TYPE	1

USE ENGINEERING INSTRUCTIONS P/N 320479

• INDICATES STANDARD HARDWARE ITEMS

•• Spade type fuse included with the wire harness.

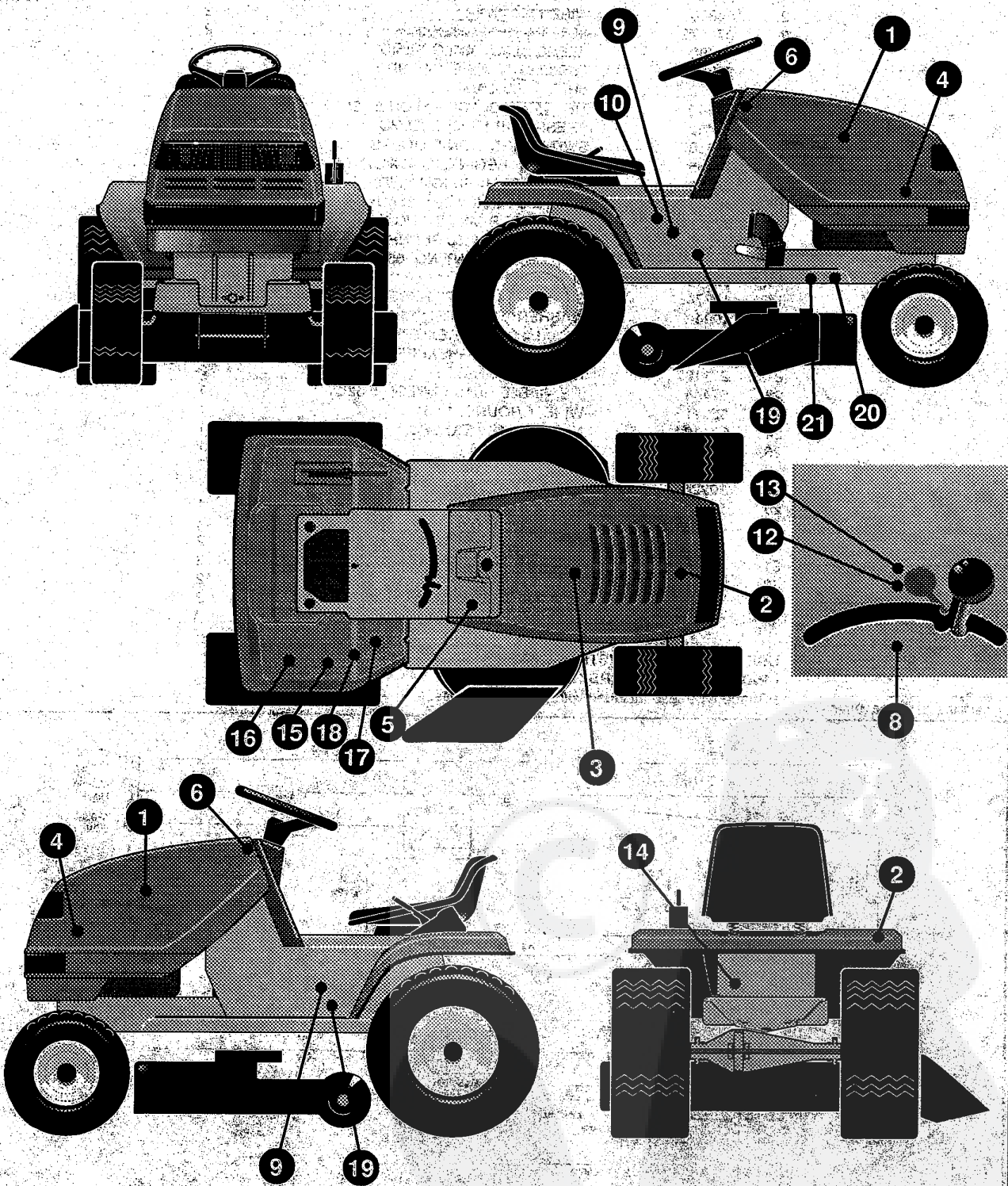
SCHEMATIC DRAWING:



30" LAWN TRACTOR MODEL C3554-130

OPERATED UNDER PROTECTION BY M/A, INC.

DECALS



321874A

30" LAWN TRACTOR MODEL C3554-130

DEFINITION OF TERMS FOR PART NUMBERS

1. NAMEPLATE WESTERN WHITE

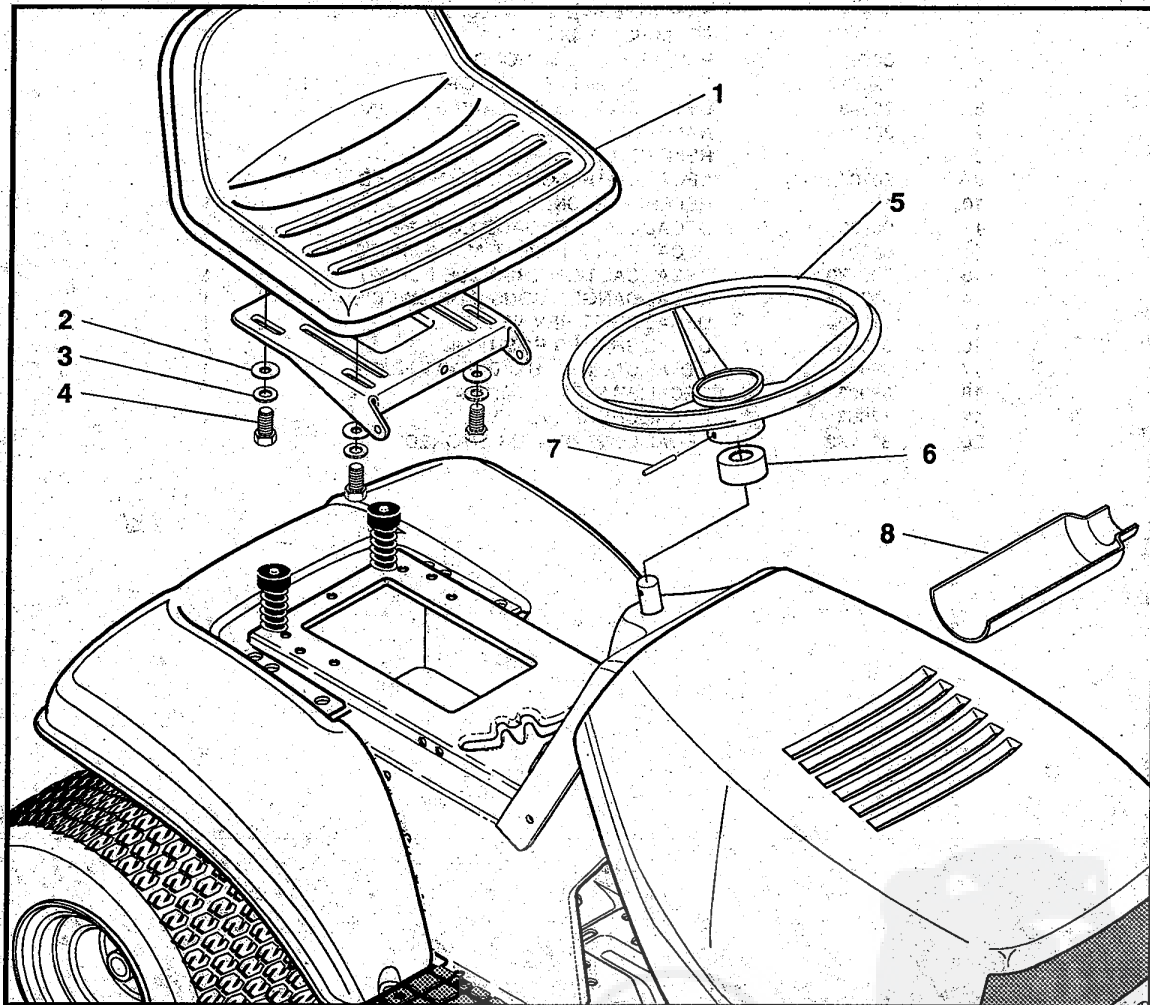
key#	part#	description	qty.
1.	301041	NAMEPLATE, WESTERN WHITE	2
2.	318197	PAD, ADHESIVE 1.00X1.50X.12	4
3.	305602	FOAM, HOOD 4X15	2
4.	305603	PAD, 18 X 6 FOAM HOOD	2
5.	320717	DECAL, DASH PLAIN EXPORT	1
6.	70648	DECAL, CORP. LOGO LARS PERSON	1
7.	300559	NAMEPLATE, 12/36 WHITE	2
8.		REFERENCE ONLY	1
9.	307832	DECAL, INSTR. CONSOLE TOP SWED.	1
10.		REFERENCE ONLY	1
11.	68900	DECAL, BLADE ENGAGE EUROPE	1
12.	68901	DECAL, BLADE HEIGHT ADJ. EUROPE	1
13.	305770	DECAL, CAUTION TRIANGLE EUROPE	1
14.	307384	DECAL, DANGER CONS. SIDE SWEDISH	1
15.	311394	DECAL, SHIFT REV/NEUTRAL	1
16.	323464	DECAL, SHIFTER POSITION	1
17.	68542	DECAL, CAUTION HAND-FOOT FR/GR	1
18.	68903	DECAL, BRAKE/CLUTCH ISO	1
19.	67667	DECAL, CHECK OIL LEVEL	1
20.	307732	DECAL, LENS CENTER SMOKED	1



WAV 12/28/88 11:18 AM

30" LAWN TRACTOR MODEL C3554-130

CUSTOMER ASSEMBLY



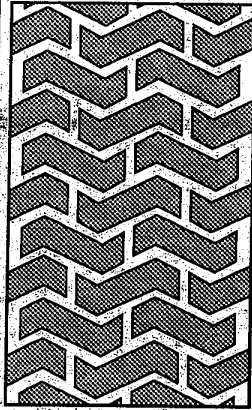
CUSTOMER ASSEMBLY VIEW

315134 PARTS BAG ASSY QTY1

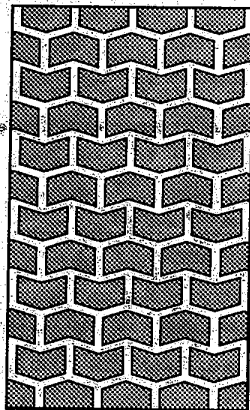
key#	part#	decription	qty
1	57452	SEAT MV350	1
2	120393	WASHER,FLAT .344X.69X.065	4
3	120638	WASHER, HVSPLTLK .328X.60X.109	4
4	122007	SCREW, 5/16-18X.75 HHC	4
5	301251	STEERING WHEEL	1
6	323758	STEERING, SLEEVE	1
7	456378	ROLL PIN .250DIA X 2.0LG	1
8	54873	OIL TROUGH	1

316235B

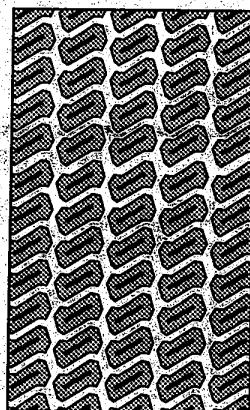
TREAD PATTERNS



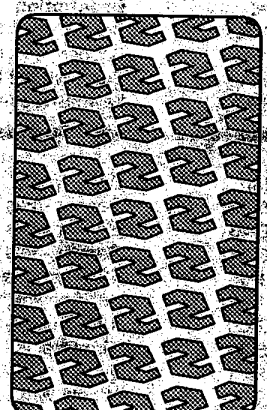
"A"



"B"



"C"



"D"

TIRE SIZE	"A"	"B"	"C"	"D"
11 X 4.00 - 5	42295	319679		
13 X 5.00 - 6	41060	319680		
15 X 6.00 - 6	39830	316702	301140	313952
16 X 6.50 - 8	41081	319682		314539
18 X 8.50 - 8	319683	317400		
18 X 9.50 - 8	41106	316701		313950
20 X 8.00 - 8	319685	319684	57164	314584
20 X 10.00 - 8	58276	319686		313654
20 X 10.00 - 10	55893	319687		
23 X 9.50 - 12	53655	319690	319689	314370

ACCESSORIES

Contact the dealer where your tractor was purchased for the available accessories. If you are unable to contact the dealer, write to the address on the front cover of this manual.

Rear Engine Rider

Model	Description
5708-16	Bagger - Fits 32" Side Discharge
5708-17	Bagger - Fits 36" Side Discharge
5709-02	Front Weight Box - holds 35 lbs.
5648-16	Lawn Sweeper w/dump Release

Lawn Tractor

Model	Description
5708-22	Bagger - Fits 30" Top Discharge
5708-13	Bagger - Fits 36", 38", 39" & 45" Side Discharge
5708-14	Bagger - Fits 40", 42", 43" & 46" Side Discharge
5661-06	42" Snowblade
5661-08	48" Snowblade
5592-00	Tire Chains - 18" x 6.50"
5585-00	Tire Chains - 18" x 9.50" & 20" x 8"
5672-01	Wheel Weights - Front - 1 pr. w/mtg. hdw. - Fits 15" tires
5673-02	Wheel Weights - Rear - 1 pr. w/mtg. hdw. - Fits 18" & 20" tires
5709-03	Front Weights - Fits 30" & 32" Side Discharge
5648-16	Lawn Sweeper w/dump Release
5705-06	42" Two-Stage Snowblower

Garden Tractor - Light Ground Engaging

Model	Description
5708-13	Bagger - Fits 36", 38", 39", & 45" Side Discharge
5708-14	Bagger - Fits 40", 42", 43" & 46" Side Discharge
5661-06	42" Snowblade
5672-01	Wheel Weights - Front 1 pr. w/mtg. hdw. - Fits 15" tires
5673-02	Wheel Weights - Rear - 1 pr. w/mtg. hdw. - Fits 18" & 20" tires
5648-16	Lawn Sweeper w/dump Release
5667-02	Sleeve Hitch - w/lift bar
5668-01	Adaptor (sleeve hitch) for use w/23" tires
5706-00	Tire Chains - 20" x 10"
5671-00	Tire Chains - 23" x 9.50"
5672-02	Wheel Weights - Front - 1 pr. w/mtg. hdw. Fits 16" tires
5673-00	Wheel Weights - Rear - 1 pr. w/mtg. hdw. Fits 23" tires
5674-01*	10" One Bottom Moldboard Plow
5675-01*	Cultivator - 7 row - Adj. 6" - 42" width
5676-01*	Disc Harrow - 8" & 11" disc - Adj. width & disc angle
5677-02*	Tiller - 5 H.P. Self-Powered - 28" width
5705-06	42" Two-Stage Snowblower
5661-08	48" Snowblade

Euro Four Wheel Steer

Model	Description
5708-14	Bagger - Fits 40", 42", 43" & 46" Side Discharge
5705-05	42" One-Stage Snowblower
5661-07	48" Snowblade
5709-04	Rear Weight Box
5648-16	Lawn Sweeper w/dump Release
5706-00	Tire Chains 20" x 10"
5671-00	Tire Chains 23" x 9.50"
5672-02	Wheel Weights - Front - 1 pr. w/mtg. hdw. Fits 16" tires
5673-00	Wheel Weights - Rear - 1 pr. w/mtg. hdw. Fits 23" tires
5672-01	Wheel Weights - Front - 1 pr. w/mtg. hdw. Fits 15" tires
5673-02	Wheel Weights - Rear - 1 pr. w/mtg. hdw. Fits 18" & 20" tires

Euro Two Wheel Steer Garden Tractor

Model	Description
5667-04	Sleeve Hitch - w/lift bar Fits 46"
5674-01*	10" One Bottom Moldboard Plow
5675-01*	Cultivator - 7 row - Adj. 6" - 42" width
5676-01*	Disc Harrow 8" & 11" Disc - Adj. width & disc angle
5677-02*	Tiller 5 H.P. Self-Powered - 28" width
5648-16	Lawn Sweeper w/dump Release

*Requires a sleeve hitch