

REPAIR PARTS MANUAL

30" - 8 H.P. LAWN TRACTOR

MODEL C3595-010

ONE YEAR LIMITED WARRANTY

For one (1) year from date of purchase by the first consumer for residential use (thirty (30) days commercial use), NOMA Outdoor Products Incorporated warrants that it will replace free of charge, including labor, any original part of any NOMA Outdoor Products Incorporated product found to be defective by any authorized Service Dealer or the factory, except the battery which is warranted for ninety (90) days from date of purchase.

This warranty does not cover engine, transmission, transaxle or differential (these items are covered by their manufacturer's own warranty). This warranty does not cover parts that have failed due to normal wear or parts that have failed subject to misuse or abuse. Transportation of the unit or part to and from an authorized Service Dealer or factory is the responsibility of the owner.

A step by step explanation as to what procedure should be followed for this warranty is:

1. If a part becomes defective, contact the store where the unit was purchased for the name and address of the authorized Service Dealer nearest to you.
2. If you cannot locate an authorized Service Dealer, write Service Department of NOMA Outdoor Products Incorporated for the name and address of the authorized Service Dealer in your area or call the Service Department at 1-901-422-1690.
3. Return the defective product, along with proof of purchase to such authorized Service Dealer for replacement of any defective part where covered by this warranty.

There is no other express warranty. Implied warranties, including those of merchantability and fitness for a particular purpose are limited to one (1) year from date of purchase. Liability for incidental or consequential damages are excluded.

Some states do not allow limitations on how long an implied warranty lasts, so the above limitation may not apply to you. Some states do not allow the exclusion of incidental or consequential damages, so the above exclusion may not apply to you. This warranty gives you specific legal rights, and you may have other rights which vary from state to state.

NOMA Outdoor Products Incorporated

Caller 8000

Jackson, TN 38308-8000

UNIT PARTS AND SERVICE

Fill in and mail the registration card packed with the unit. For service other than covered in this manual, contact an authorized service dealer. A nationwide parts and service organization has been established to provide locally available parts and service. When ordering repair parts, always give the following information: 1. The Part Name; 2. The Part Number; 3. The Quantity desired; 4. The Full (eight digit) Model Number of the unit. The model number will be found on a plate attached to the unit.



Look for this symbol. It means - ATTENTION! BECOME ALERT! A HAZARD TO OPERATOR, BYSTANDER, PROPERTY OR EQUIPMENT MAY EXIST.

NOMA Outdoor Products Incorporated

Caller 8000

Jackson, TN 38308-8000

Part No. 324643A

3/92



SAFETY RULES



THESE INSTRUCTIONS ARE FOR YOUR PROTECTION. PLEASE READ THEM CAREFULLY.

IMPORTANT

THIS CUTTING MACHINE IS CAPABLE OF AMPUTATING HANDS AND FEET AND THROWING OBJECTS. FAILURE TO OBSERVE THE FOLLOWING SAFETY INSTRUCTIONS COULD RESULT IN SERIOUS INJURY OR DEATH.

I. GENERAL OPERATION:

- Know controls and how to stop quickly.
- Read, understand, and follow all instructions in the manual and on the machine before starting.
- Only allow responsible adults, who are familiar with instructions, to operate the machine.
- Wear safety glasses or eye shields when assembling or operating the machine.
- Do not operate machine when barefooted. Always wear substantial footwear, preferably steel-toed shoes.
- Do not wear loose fitting clothing that could get caught in moving parts.
- Clear the area of objects such as rocks, toys, wire, etc., which could be picked up and thrown by the blade(s).
- Be sure the area is clear of other people before mowing. Stop machine if anyone enters the area.
- Never carry passengers.
- Do not mow in reverse unless absolutely necessary. Always look down and behind before and while backing.
- Be aware of the mower discharge direction and do not point it at anyone. Do not operate the mower without either the entire grass catcher or the guard in place.
- Slow down before turning.
- Never leave a running machine unattended. Always turn off blades, set parking brake, stop engine, and remove keys before dismounting.
- Turn off blade(s) when not mowing.
- Stop engine before removing grass catcher or unclogging chute.
- Mow only in daylight or good artificial light.
- Do not operate the machine while under the influence of alcohol or drugs.
- Watch for traffic when operating near or crossing roadways.
- Use care when mowing around a fixed object to prevent the blade(s) from striking it. Never deliberately run over any foreign object.
- Use extra care when loading or unloading the machine into a trailer or truck.
- Use care when pulling loads or using heavy equipment.
 - a. Use only approved drawbar hitch points.
 - b. Limit loads to those that you can safely control.
 - c. Do not turn sharply. Use care when backing.
 - d. Use counterweight(s), wheel weight or tire chains when suggested in attachment(s) instructions.

II. SLOPE OPERATION:

Slopes are a major factor related to loss-of-control and tip-over accidents, which can result in severe injury or death. *All slopes require extra caution.* If you cannot back up the slope or if you feel uneasy on it, do not mow it.

DO

- Mow up and down slopes, not across.
- Remove obstacles such as rocks, tree limbs, etc.
- Watch for holes, ruts, or bumps. Uneven terrain could overturn the machine. *Tall grass can hide obstacles.*
- Use slow speed. Choose a low gear so that you will not have to stop or shift while on the slope.
- Follow the manufacturer's recommendations for wheel weights or counterweights to improve stability.
- Use extra care with grass catchers or other attachments. These can change the stability of the machine.
- Keep all movement on the slopes *slow* and *gradual*. Do not make sudden changes in speed or direction.
- Avoid starting or stopping on a slope. If tires lose traction, turn off the blade(s) and proceed slowly *straight* down the slope.

DO NOT

- Do not turn on slopes unless necessary, and then slowly and gradually downhill, if possible.
- Do not mow near drop-offs, ditches or embankments. The

mower could suddenly turn over if a wheel is over the edge of a cliff or ditch, or if an edge caves in.

- Do not mow on wet grass. Reduced traction could cause sliding.
- Do not try to stabilize the machine by putting your foot on the ground.
- Do not use grass catcher on steep slopes.

III. CHILDREN:

Tragic accidents can occur if the operator is not alert to the presence of children. Children are often attracted to the machine and the mowing activity. *Never* assume that children will remain where you last saw them.

- Keep children out of the mowing area and under the watchful care of another responsible adult.
- Be alert and turn machine off if children enter the area.
- Before and when backing, look behind and *down* for small children.
- Never carry children. They may fall off and be seriously injured or interfere with safe machine operation.
- Never allow children to operate the machine.
- Use extra care when approaching blind corners, shrubs, trees, or other objects that may obscure vision.

IV. SERVICE:

- Use extra care in handling gasoline and other fuels. They are flammable and vapors are explosive.
 - a. Use only an approved container.
 - b. Never remove gas cap or add fuel with the engine running. Allow engine to cool before refueling. Do not smoke.
 - c. Never refuel the machine indoors.
 - d. Never store the machine or fuel container inside where there is an open flame, such as in a water heater.
- Check fuel supply before each use allowing space for expansion as the heat of the engine and/or sun can cause gasoline to expand and overflow the tank.
- Use extra care when handling battery acid. Acid contact with skin may cause severe burns. Eye contact may cause blindness.
- Use extra care when servicing the battery. Explosive gas is produced in the battery. Do not service the battery while smoking or near an open spark or flame. This may cause the battery to explode causing serious injury.
- Never run a machine inside a closed area. Exhaust fumes contain CARBON MONOXIDE, an ODORLESS and DEADLY GAS.
- Keep nuts and bolts, especially blade attachment bolts, tight and keep equipment in good condition.
- Never tamper with safety devices. Check their operation regularly.
- Do not change the engine governor settings or overspeed engine.
- Reduce fire hazards. Keep machine free of grass, leaves, or other debris build-up. Clean up oil or fuel spillage. Allow machine to cool before storing.
- Stop and inspect the equipment if you strike an object. Repair, if necessary, before restarting.
- Never make adjustments or repairs with the engine running.
- Grass catcher components are subject to wear, damage, and deterioration, which could expose moving parts or allow objects to be thrown. Frequently check components and replace with manufacturer's recommended parts, when necessary.
- Mower blade(s) are sharp and can cut. Wrap the blade(s) or wear gloves, and use extra caution when servicing them.
- Check brake operation frequently. Adjust and service as required.



LOOK FOR THIS SYMBOL TO POINT OUT IMPORTANT SAFETY PRECAUTIONS. IT MEANS--ATTENTION!!!
BECOME ALERT!!! YOUR SAFETY IS INVOLVED.

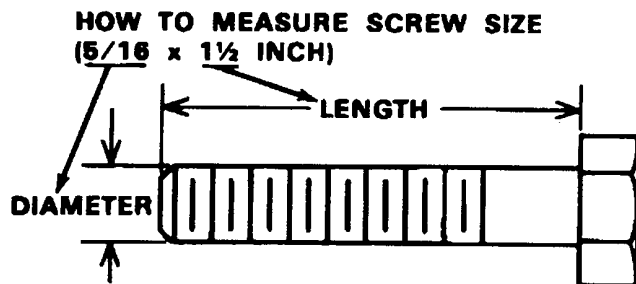
OWNER'S INFORMATION

Record the following information about your unit so that you will be able to provide it in case of loss or theft.

MODEL NUMBER: - (Enter complete 8 digit number from model plate on unit)
PURCHASE DATE: ___ / ___ / ___ CODE NO.: _____ SERIAL NO.: _____
DEALER'S NAME AND ADDRESS: _____
CITY: _____ STATE: _____ TELEPHONE: _____

WARNING

This riding mower is equipped with an internal combustion engine and should not be used on or near any unimproved forest-covered, brush-covered, grass-covered land unless the engine's exhaust system is equipped with a spark arrester meeting applicable local or state laws (if any). See your authorized Engine Service Dealer for proper spark muffler for the engine on your mower.



CONTENTS OF SHIPPING CARTON

- 1 - Riding Mower with 30 inch Mower Deck
- 1 - Operator's Manual
- 1 - Repair Parts Manual
- 1 - Grass Catcher Manual
- 1 - Engine Manual
- 1 - Steering Wheel (see Note)
- 1 - Seat (see Note)
- 1 - Shift Knob
- 1 - Bag of Assembly Parts Containing (see Note):
 - 4 - 5/16 x 3/4 inch Hex Head Screws
 - 4 - 5/16 inch Split Lockwashers
 - 4 - 11/32 inch Flatwashers
 - 1 - Pin, Spring .87 DIA x 1.25 In.
 - 1 - Pin, Spring .250 DIA x 2.25 In.
 - 1 - Decorative Tube
 - 1 - Tube, Steering
 - 1 - Pin, Cotter .125dia x 1.25 LG Z
 - 1 - Washer, Flat .90 x 1.56 x .89

NOTE: Refer to page 24 (Customer Assembly Parts) for more detailed description.

TOOLS REQUIRED FOR ASSEMBLY

- 2 - 7/16 inch Wrenches (or adjustable wrench)
- 1 - 1/2 inch Wrench (or adjustable wrench)
- 1 - Small Phillips Screwdriver with a 1/4 inch shank
- 1 - Hammer



DANGER



This lawn tractor can be dangerous if carelessly used.

Read your Operator's Manual thoroughly before operating your lawn tractor.

Always wear safety glasses or eye shields while assembling or operating your lawn tractor.

DO NOT carry passengers at any time.

Keep your hands, feet, hair and loose clothing away from the discharge area, the underside of the mower deck or any moving parts while the engine is running.

DO NOT allow children or young teenagers to operate or be near your lawn tractor while it is operating.

Reduce engine to idle when riding mower is not moving. If riding mower is to remain stopped for more than 2 minutes, stop the engine.

ALWAYS GIVE THE FOLLOWING INFORMATION WHEN ORDERING REPAIR PARTS:

1. The PART NUMBER; 2. The PART NAME; 3. QUANTITY DESIRED; 4. The MODEL NUMBER (As shown on Model Plate).

SEND PART ORDERS AS PER INSTRUCTIONS ON THE FRONT PAGE.

DO NOT USE KEY NUMBERS WHEN ORDERING REPAIR PARTS, ALWAYS USE PART NUMBERS.

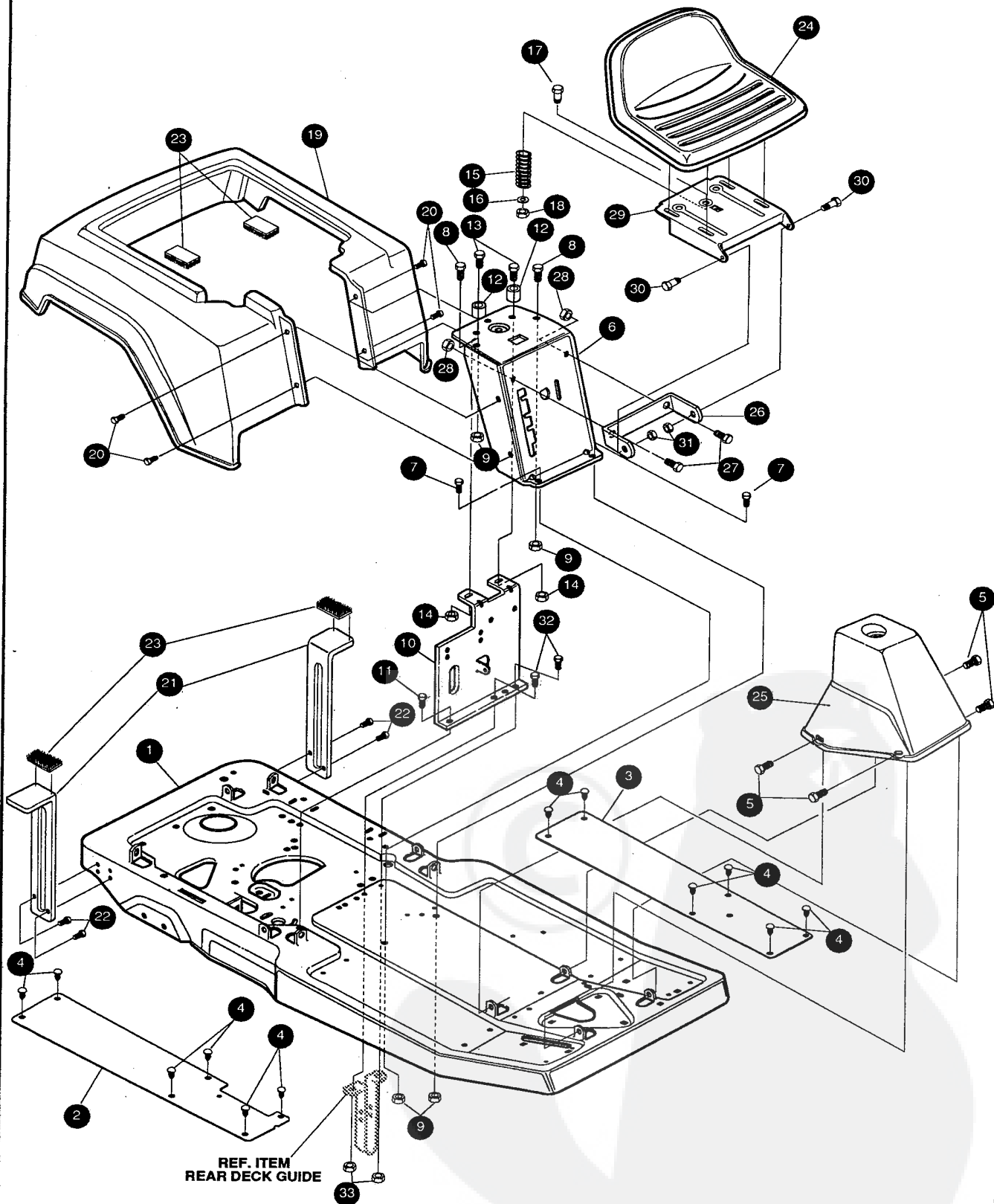
All replacement parts will be supplied in current production colors or in a neutral color.

A handling fee is applicable to small parts orders.

YOUR UNIT IS RIGHT HAND (RH) OR LEFT HAND (LH) AS YOU STAND BEHIND IT.

30" RIDING MOWER MODEL C3595-010

BODY GROUP ASSEMBLY



NOTE: ALWAYS USE ORIGINAL EQUIPMENT PARTS. Use of service/equipment parts other than original equipment parts may void your warranty.

ALL UNNUMBERED ITEMS ARE INTERCHANGABLE WITH OPPOSITE SIDE

316967C

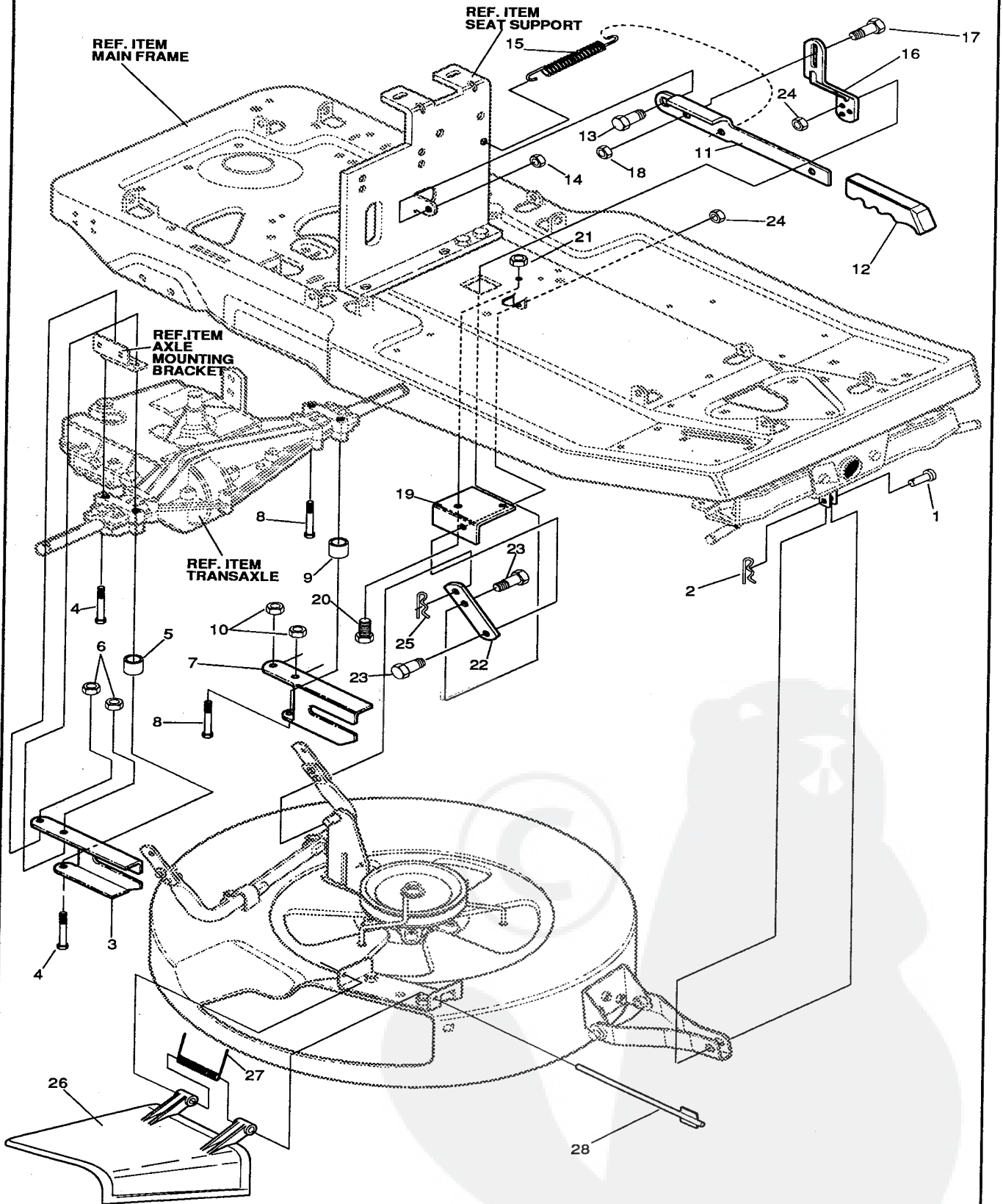
30" RIDING MOWER MODEL C3595-010

Key#	Part#	Description	Qty.
1	314227-860	Frame	1
2	309612	Footpad RH .	1
3	309613	Footpad LH	1
4	309235	Fastener, Ratchet	12
5	• 995346	Screw, 1/4-20 x .50 WA H H Tap	4
6	314265-860	Seat Support	1
7	• 48901	Screw, 5/16-18 x .63 WA H HC GR2	2
8	• 120228	Screw, 5/16-18 x .63 H HC GR2	2
9	• 1498	Nut, 5/16-18 Reg H Ctr Lk	4
10	314185-853	Seat/Shift Bracket	1
11	• 35498	Screw, 5/16-18 x .75 WA H H Tap	1
12	50520	Spacer	2
13	• 122017	Screw, 5/16-18 x 1.00 H HC GR2	2
14	• 1498	Nut, 5/16-18 Reg H Ctr Lk	2
15	319136	Seat Spring	1
16	120392	Washer, Flat .281X.63X.065	1
17	• 120706	Screw, 1/4-20 x .50 H HC GR2	1
18	• 1502	Nut, 1/4-20 Reg Hex Ctr Lk	1
19	313418-660	Fender	1
20	• 44811	Screw, 1/4-20 x .75 H WA Tap	4
21	305645	Fender Support	2
22	• 995346	Screw, 1/4-20 x .50 WA H H Tap	4
23	12599	Fastener, Velcro	2
24		Seat (See Customer Assy. Group)	
25	304537-653	Console	1
26	301330-853	Seat, Bracket	1
27	• 180117	Screw, 3/8-16 x .56 HHC	2
28	• 1499	Nut, 3/8-16 REG HX CTR LK	2
29	313476-853	Seat Plate	1
30	20507	Bolt, .437 x .156 HH SH 5/16-18	2
31	• 1498	Nut, 5/16-18 REG HEX CTR LK	2
32	• 120229	Screw, 5/16-18 x .88 HHC GR2	2
33	• 1498	Nut, 5/16-18 Reg H Ctr Lk	2
34	324643	PARTS MANUAL ENGLISH	1
35	324644	PARTS MANUAL FRENCH	1
36	324645	PARTS MANUAL GERMAN	1
37	323816	OPERATOR'S MANUAL ENGLISH	1
38	318049	OPERATOR'S MANUAL FRENCH	1
39	318050	OPERATOR'S MANUAL GERMAN	1
40	318307	GRASS CATCHER MANUAL ENGLISH	1
41	318355	GRASS CATCHER MANUAL FRENCH	1
42	318354	GRASS CATCHER MANUAL GERMAN	1

• Indicates STANDARD HARDWARE ITEMS.

30" RIDING MOWER MODEL C3595-010

MOWER SUSPENSION ASSEMBLY



NOTE: ALWAYS USE ORIGINAL EQUIPMENT PARTS. Use of service/equipment parts other than original equipment parts may void your warranty.

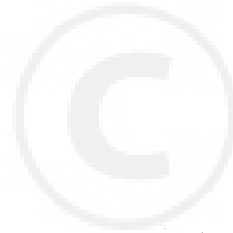
ALL UNNUMBERED ITEMS ARE INTERCHANGABLE WITH OPPOSITE SIDE

306432E

30" RIDING MOWER MODEL C3595-010

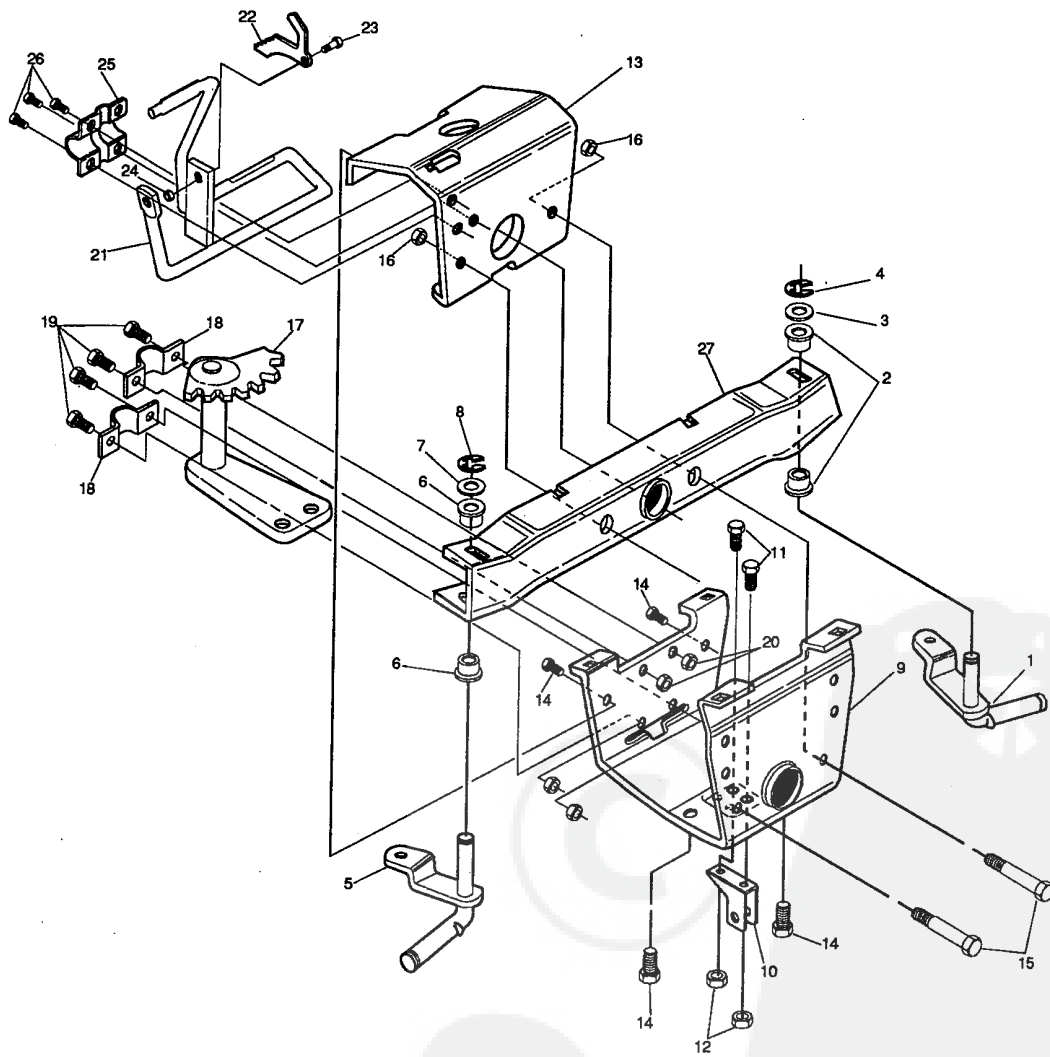
Key#	Part#	Description	Qty.
1	47816	PIN, .495X1.750 CLEVIS-SHORT	1
2	56180	PIN, HAIR .091 DIA X 1.62LG	1
3	321371	BRACKET, REAR SUPPORT RH	1
4	◇ 122083	SCREW, 5/16-18X2.50 HHC	2
5	41462	SPACER .328 X .750 X .312	1
6	◇ 1498	NUT, 5/16-18 REGHEXCTRLK	2
7	321370	BRACKET, REAR SUPPORT LH	1
8	◇ 122083	SCREW, 5/16-18X2.50 HHC	2
9	41462	SPACER .328 X .750 X .312	1
10	◇ 1498	NUT, 5/16-18 REGHEXCTRLK	2
11	313719-853	HANDLE, HEIGHT ADJUST	EA
12	313763-653	GRIP, HANDLE, LIFT	1
13	54855	BOLT, .500X .345 HSSH 3/8-16	1
14	1499	NUT, 3/8-16 REGHXCTRLK	1
15	35410	SPRING .071 X .62 X 4.37	1
16	323897	BRKT, LINK UPPER 30" MOW	1
17	54855	BOLT, .500X .345 HSSH 3/8-16	1
18	◇ 1499	NUT, 3/8-16 REGHXCTRLK	1
19	323898	BRACKET, REAR FRAME	1
20	◇ 120229	SCREW, 5/16-18X .88 HHC	1
21	◇ 1498	NUT, 5/16-18 REGHEXCTRLK	1
22	323899	BRKT, LINK LOWER 30" MOW	1
23	313560	BOLT, .500X .225 HSSH 5/16-18	2
24	◇ 1498	NUT, 5/16-18 REGHEXCTRLK	2
25	56180	PIN, HAIR .091 DIA X 1.62LG	1
26	315314	CHUTE DEFLECTOR 30" DECK	1
27	305124	SPRING TORSION, CHUTE DEF.	1
28	304424	ROD, PIVOT 40" DECK .312 x 7.25	1

◇ Indicates STANDARD HARDWARE ITEMS.



30" RIDING MOWER MODEL C3595-010

PRE- PAINT FRONT AXLE ASSEMBLY



NOTE: ALWAYS USE ORIGINAL EQUIPMENT PARTS. Use of service/equipment parts other than original equipment parts may void your warranty.

ALL UNNUMBERED ITEMS ARE INTERCHANGABLE WITH OPPOSITE SIDE

316219A

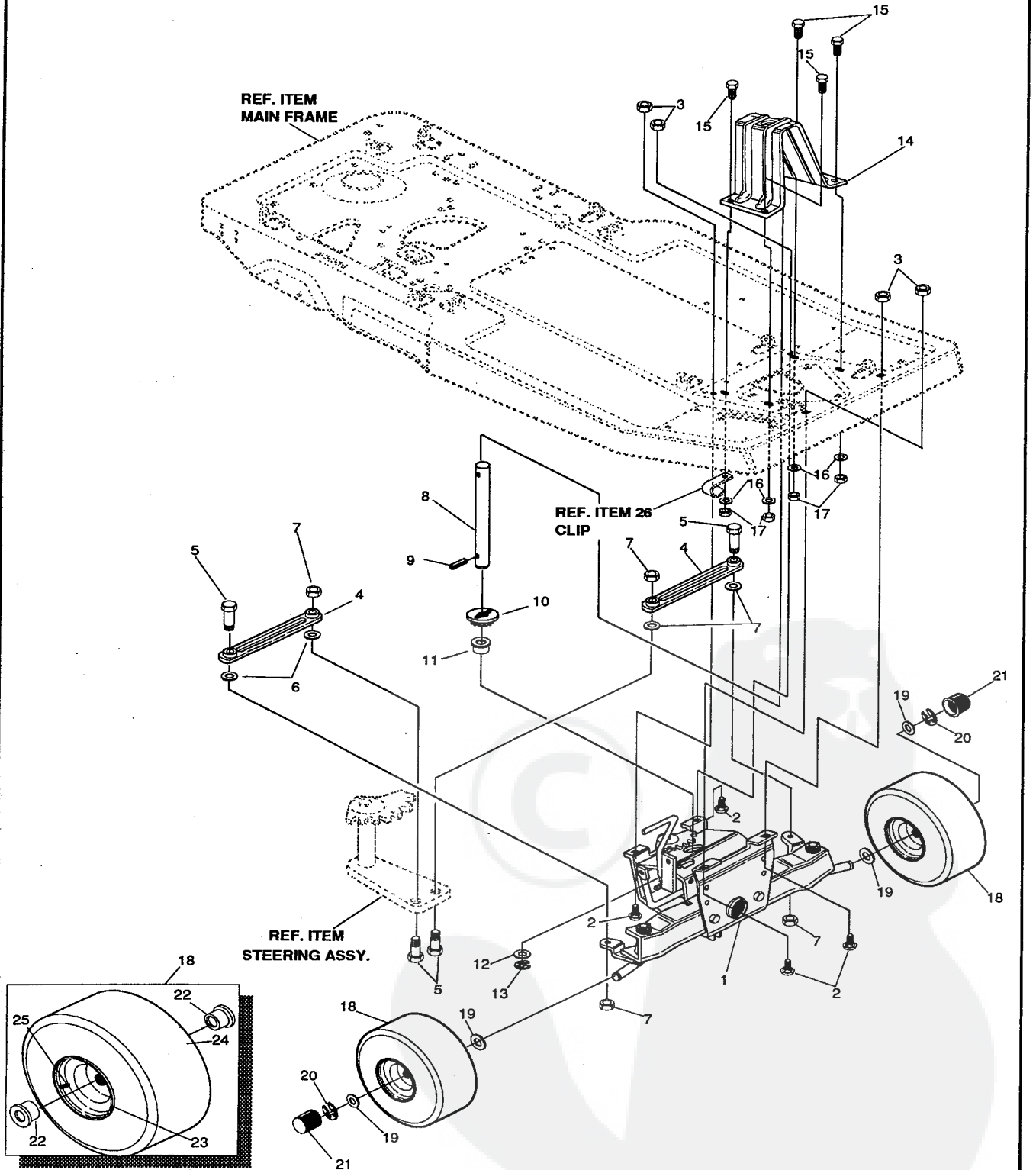
30 " RIDING MOWER MODEL C3595-010

Key#	Part#	Description	Qty.
1	316216	Assembly, Spindle L.H.	1
2	12552	Bushing, Spindle	2
3	4107	Washer, Flat .635 x 1.31 x .07	1
4	20859	Ring, Ret E. .48 x .04 TRU 5133-62	1
5	316217	Assembly, Spindle, R.H.	1
6	12552	Bushing, Spindle	2
7	4107	Washer, Flat .635 x 1.31 x .07	1
8	20859	Ring, Retaining E .48 x .04TRU 5133-62	1
9	314228	Bracket, Axle, Outer Front	1
10	302800	Hanger	1
11	120228	Screw, 5/16-18 x .63 HHC GR2	2
12	1498	Nut, 5/16-18 Reg H Ctr Lk	2
13	302799	Axle Bracket, Inner	1
14	35497	Screw, 5/16-18 x .50 WAHH Tap	4
15	122201	Screw, 3/8-16 x 2.75 H HC GR 2	2
16	1499	Nut, 3/8-16 Reg HX Ctr Lk	2
17	302958	Steering Assembly	1
18	302760	Clamp, .625 Dia.	2
19	120228	Screw, 5/16-18 x .63 H HC GR2	4
20	1498	Nut, 5/16-18 Reg Hex Ctr Lk	4
21	303249	Brake Arm Assembly	1
22	302955	Latch, Parking Brake	1
23	3275	Bolt, .373 x .140 H H SH 1/4-20	1
24	1502	Nut, 1/4-20 Reg H Ctr Lk	1
25	44112	Bracket, Clutch and Brake	1
26	35497	Screw, 5/16-18 x .50 WA H H Tap	5
27	*	Front Axle Assembly	1

* ORDER INDIVIDUAL PARTS

30" RIDING MOWER MODEL C3595-010

FRONT AXLE & WHEELS ASSEMBLY



NOTE: ALWAYS USE ORIGINAL EQUIPMENT PARTS. Use of service/equipment parts other than original equipment parts may void your warranty.

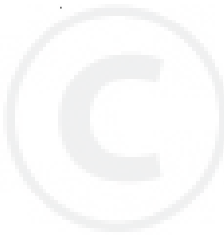
ALL UNNUMBERED ITEMS ARE INTERCHANGABLE WITH OPPOSITE SIDE

316220C

30 " RIDING MOWER MODEL C3595-010

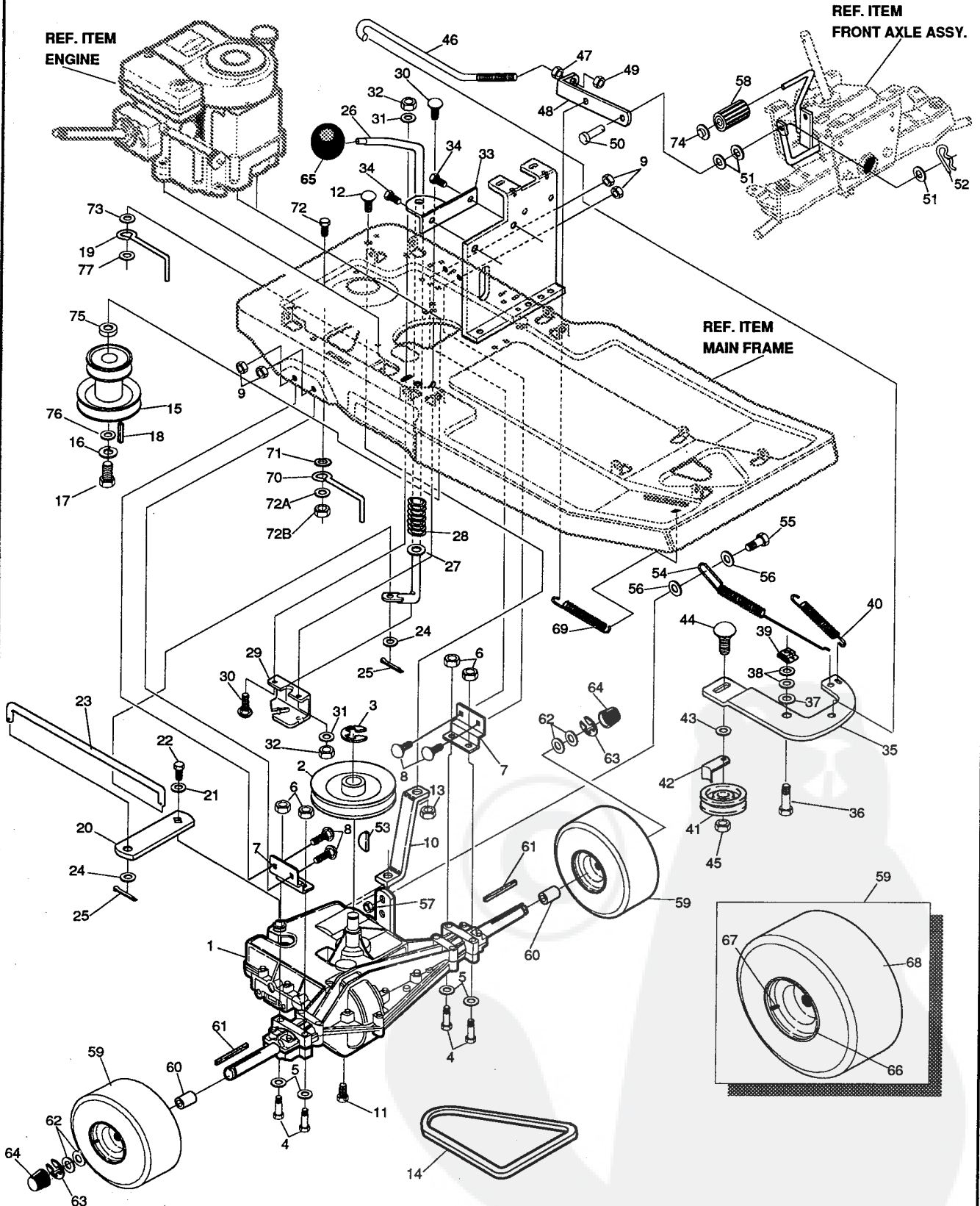
Key#	Part#	Description	Qty.
1	*	Front Axle Assy.	1
2	126211	Bolt, 5/16-18 x .63 Carr GR2	4
3	45174	Nut, 5/16-18 Hex Wd Fl Lk Whiz	4
4	303140	Tie Rod,	2
5	122145	Screw, 3/8-16 x 1.25 H HC GR2	4
6	120382	Washer, Reg Spt Lk .393 x .68 x .10	4
7	1499	Nut, 3/8-16 Reg Hx Ctr Lk	4
8	323906	Shaft Steering	1
9	454565	Pin, Spring .250 Dia. x 1.25 Lg	1
10	302766	Gear, Pinion	1
11	304010	Bushing-Steering	1
12	4107	Washer, Flat .635 x 1.31 x .07	1
13	20859	Ring, Retaining E .48 x .04 TRU 5133-62	1
14	323905	Support, Steering Shaft	1
15	48901	Screw, 5/16-18 x .63 WA H HC GR2	4
16	120393	Washer, Flat .344 x .69 x .065	4
17	1498	Nut, 5/16-18 Reg Hex Ctr Lk	4
18	*	Tire , Pneumatic 11 x 4.00-5	2
19	40677	Washer, Flat .640 x 1.25 x .06	4
20	20859	Ring, Retaining E .48 x .04 TRU 5133-62	2
21	36832	Hub Cap	2
22	301137	Bearing, Wheel	2
23	301175	Wheel	1
24		(SEE TIRE TREAD PAGE)	1
25	24167	Valve Stem	1
26		See Electrical System	1

* ORDER INDIVIDUAL PARTS.



30 "RIDING MOWER MODEL C3595-010

TRACTION DRIVE ASSEMBLY



NOTE: ALWAYS USE ORIGINAL EQUIPMENT PARTS. Use of service/equipment parts other than original equipment parts may void your warranty.

ALL UNNUMBERED ITEMS ARE INTERCHANGABLE WITH OPPOSITE SIDE

324114A

30 " RIDING MOWER MODEL C3595-010

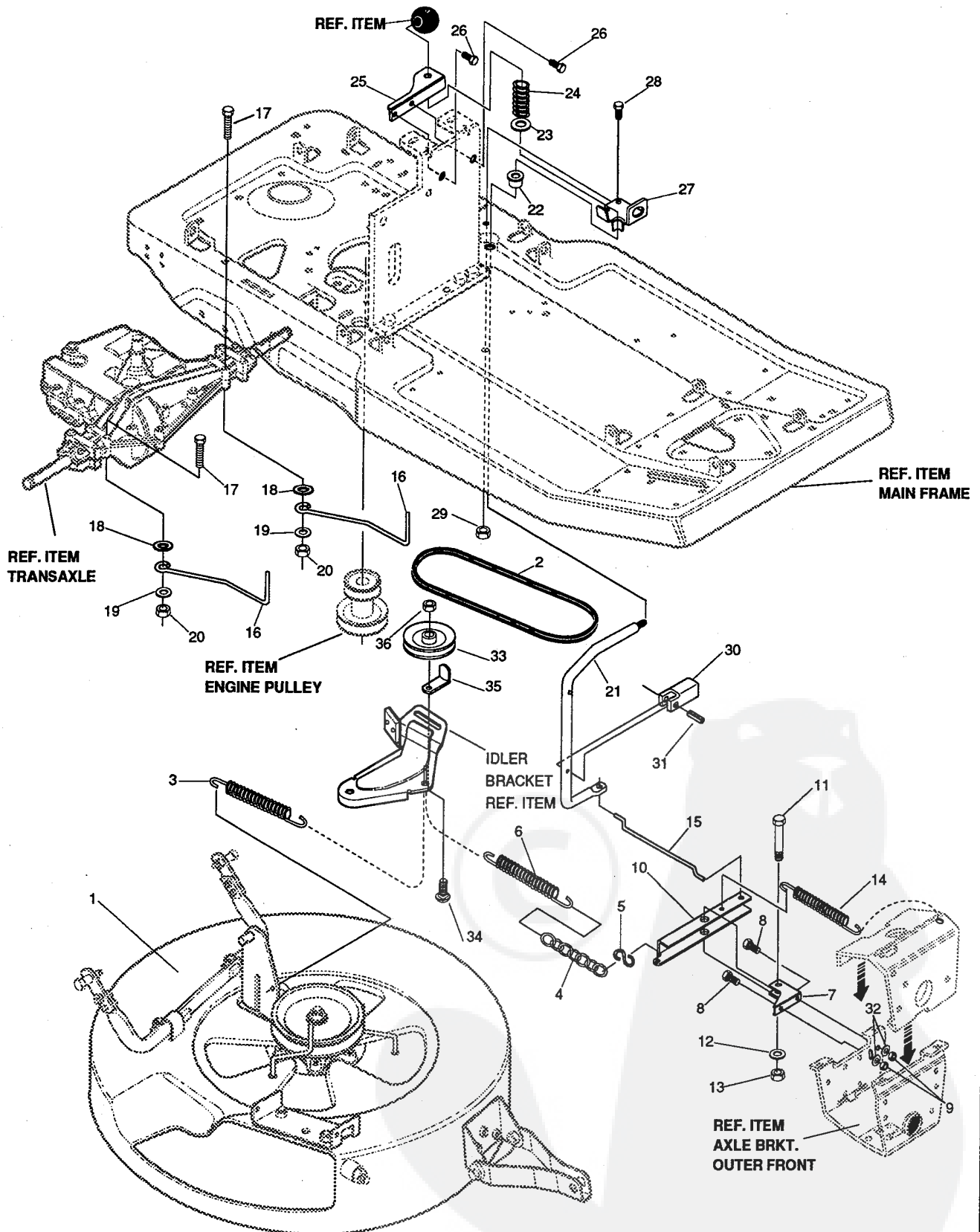
Key#	Part#	Description	Qty.
1	*	Transaxle	1
2	303109	Pulley, Transaxle	1
3	22053	Ring, RETEX .58 x .04 TRU 5100-62	1
4	122083	Screw, 5/16-18 x 2.50 HHC GR2	4
5	120393	Washer, Flat .344 x .69 x .065	4
6	1498	Nut, 5/16-18 REG HEX CTR LK	4
7	9796	Bracket, Transaxle	2
8	126211	Bolt, 5/16-18 x .63 CARR	4
9	1498	Nut, 5/16-18 REG HEX CTR LK	4
10	322034-953	Bracket, Transaxle Support	1
11	35498	Screw, 5/16 - 18 x .75 WA HH TAP	1
12	126211	Bolt, 5/16-18 x .63 CARR	1
13	1498	Nut, 5/16 - 18 REG HEX CTR LK	1
14	300575	Belt, V 4L	1
15	320600	Pulley, ENG 3.315 OFF/3.87 D/3.00D	1
16	120383	Washer, REG SPT LK .459 x .78 x .12	1
17	182761	Screw, 7/16-20 x 2.50 HHC	1
18	26655	Key, Square .250 SQ x 2.50 Lg	1
19	55488	Belt Guide	1
20	323874	Shift Lever, Brkt	1
21	57157	Washer, .750 x .250	1
22	56255	Screw, 1/4-28 x .75 NYL HH CGR8	1
23	321482	Rod, Shift Connecting	1
24	120394	Washer, Flat .406 x .81 x .065	2
25	137185	Pin, Cotter .125 DIA X 1.00 LG	2
26	309255	Handle, Shift	1
27	120396	Washer, Flat .531 x 1.06 x .095	1
28	301133	Spring, Shift Lever	1
29	309053	Bracket Detent Shift	1
30	126216	Bolt, 5/16-18 x .75 CARR	2
31	120393	Washer, Flat .344 x .69 x .065	2
32	1498	Nut, 5/16-18 REG HEX CTR LK	2
33	303098--853	Shift Control Brkt.	1
34	995346	Screw, 1/4-20 x .50 WA HH TAP	2
35	12593	Arm, Idler, Transaxle Drive	1
36	41890	Bolt, .625 x .218 HH SH 5/16-18z	1
37	4107	Washer, Flat .635 x 1.31 x .07	1
38	45602	Washer, Flat .333 x .87 x .119	2
39	301124	Tinnerman Clip	1
40	35410	Spring .071 x .62 x 4.37	1
41	35374	Pulley, Idler	1
42	39659	Retainer, Strap Belt	1
43	274517	Washer, Flat .406 x .73 x .063	1
44	45892	Bolt, 3/8-16 x 1.50 CARR	1
45	1499	Nut, 3/8-16 REG HX CTR LK	1
46	323532	Rod Clutch	1
47	271184	Nut, 5/16-18 HEX KEPS	1
48	321378	Brkt. Clutch Brake	1
49	1498	Nut, 5/16-18 REG HEX CTR LK	1
50	39522	Pin Clevis .312 x .812	1
51	120393	Washer, Flat .344 x .69 x .065	3
52	8260	Pin, Hair .091 DIA x 1.66 LG	1
53	3021	Key, Woodruff	1
54	321499	Spring, Brake	1
55	25086	Bolt, .500 x .375 HH SH 5/16-18	1
56	308188	Washer, Flat .515 x 1.31 x .09	2
57	1498	Nut, 5/16-18 REG HEX CTR LK	1
58	52840	Pedal Pad	1
59	^	Tire & Rim, Pnuematic	2
60	300588	Spacer,	2
61	52928	Key, Square .187 SQ x 2.25LG	2
62	42815	Washer, Flat .755 x 1.53 x .07	4
63	36625	Ring, RET EX .57 x .05 TRU5133-75	2
64	40394	Cap, Hub	2
65	(SEE CUST. ASSY GROUP)	Shift Knob	1
66	305036	Wheel	1
67	24167	Valve Stem	1
68		Tire 16 x 6.50 - 8 Turf (REFER TO TIRE TREAD PAGE)	1
69	53704	Spring, 536 OD x .047 x 3.4	1
70	55488	Belt Guide	1
71	138489	Washer, Exlk .384 X .69 X .04	1
72	122007	Screw, 5/16-18 X .75	1
72a	120394	Washer, Flat .406 X .81 X .065	1
72b	1498	Nut, 5/16-18 X .75	1
73	138489	Washer, EX LK .384 x .69 x .04	1
74	44582	Cap, Push Nut	1
75	300589	Spacer, Engine Sheave	1
76	56431	Washer, .980ID X 1.38OD X .437 Pilot	1
77	120394	Washer, Flat .406 x .81 x .065	1

* CONTACT YOUR NEAREST TRANSAXLE DEALER FOR PARTS & SERVICE.

^ ORDER INDIVIDUAL PARTS.

30" RIDING MOWER MODEL C3595-010

MOWER DRIVE ASSEMBLY



NOTE: ALWAYS USE ORIGINAL EQUIPMENT PARTS. Use of service/equipment parts other than original equipment parts may void your warranty.

ALL UNNUMBERED ITEMS ARE INTERCHANGABLE WITH OPPOSITE SIDE

315603D

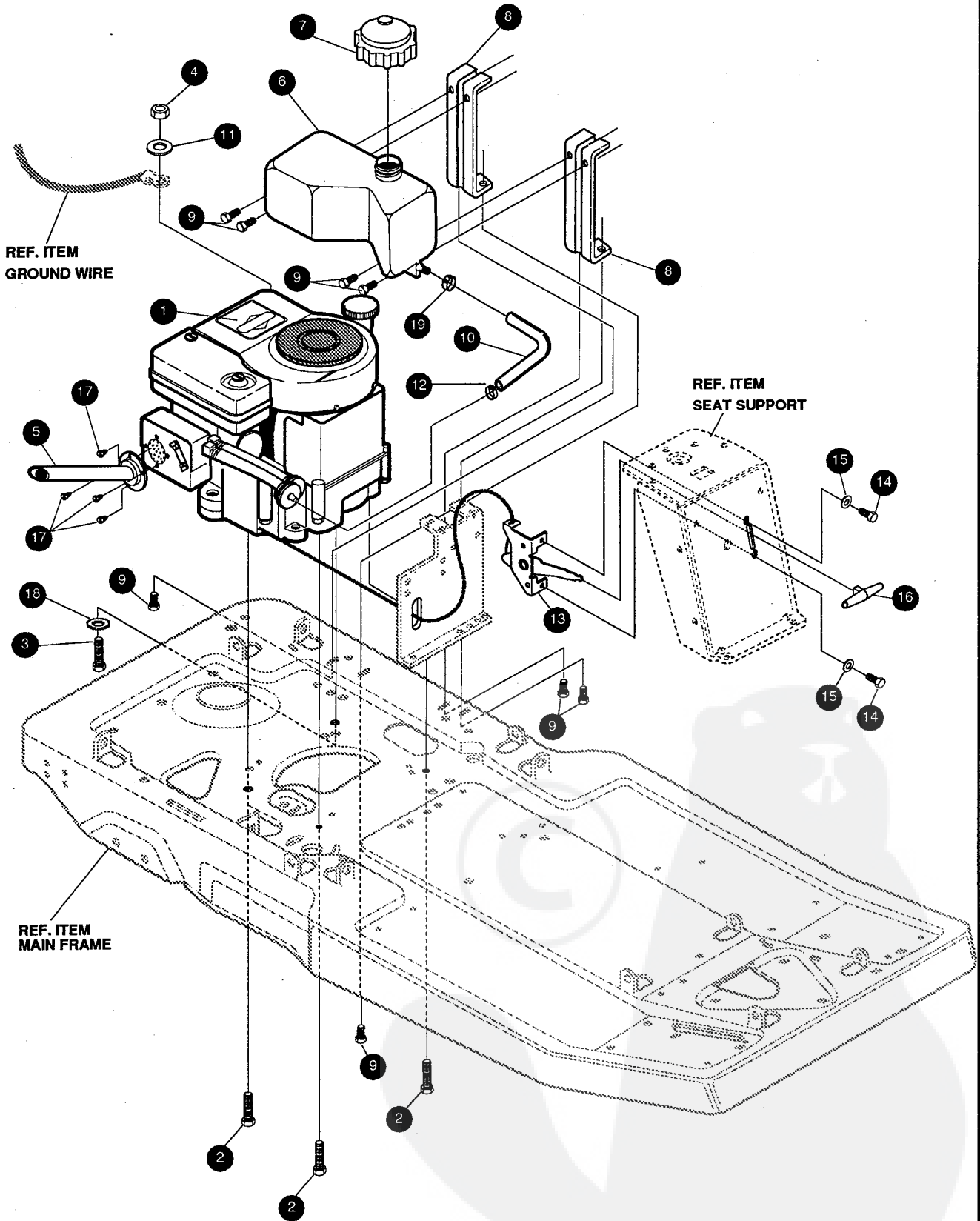
30 " RIDING MOWER MODEL C3595-010

Key#	Part#	Description	Qty.
1	*	ASSY., DECK, PRE-PAINT 30"	1
2	56537	BELT, V 4L 50.5LG	1
3	35410	SPRING .071 X .62 X 4.37	1
4	310428	CHAIN, JACK	0.500 FT
5	310734	HOOK, S, 10 GA. STEEL	1
6	300683	SPRING, .75X6.3X.105 TENSION	1
7	323904	HANGER	1
8	◇ 120228	SCREW, 5/16-18X .63 HHC	2
9	◇ 1498	NUT, 5/16-18 REGHEXCTRLK	2
10	323903	ROCKER ARM, MOWER ENGAGEMENT	1
11	310364	BOLT, .500X1.18 HSH 3/8-16	1
12	◇ 845	WASHER, FLAT .390X1.25X.119	1
13	◇ 1499	NUT, 3/8-16 REGHXCTRLK	1
14	35410	SPRING, .071 X .62 X 4.37	1
15	309049	ROD, CONNECTING	1
16	310388	GUIDE, BELT	2
17	◇ 122077	SCREW, 5/16-18X2.50 HHC	2
18	◇ 138485	WASHER, EXLK .320X.61X.03	2
19	◇ 120393	WASHER, FLAT .344X .69X.065	2
20	◇ 1498	NUT, 5/16-18 REGHEXCTRLK	2
21	309048	HANDLE, MOWER ENGAGEMENT	1
22	310351	BEARING, FLANGED, NYLON	1
23	304291	RETAINER, SPRING	1
24	304398	SPRING COMPRESSION	1
25	311107-853	SUPPORT BRACKET PTO	1
26	◇ 995346	SCREW, 1/4-20X .50 WAHHTAP	2
27	310309	BRACKET, PTO LIMIT Z-PL 953	1
28	◇ 35498	SCREW, 5/16-18X .75 WAHHTAP	1
29	◇ 1498	NUT, 5/16-18 REGHEXCTRLK	1
30	305225	STOP, PTO ENGAGEMENT Z-PL953	1
31	455481	PIN, SPRING.187DIA X1.00LG	1
32	120393	WASHER, FLAT .344X.69X.065	2
33	45074	PULLEY, IDLER V4L 3.06 X .72	1
34	45892	BOLT, 3/8-16 X 1.50 CARR. GR2 Z	1
35	39659	RETAINER, BELT	1
36	1499	NUT, 3/8-16 REGHXCTRLK	1

◇ Indicates STANDARD HARDWARE ITEMS.
 * ORDER INDIVIDUAL PARTS.

30" RIDING MOWER MODEL C3595-010

ENGINE ASSEMBLY



NOTE: ALWAYS USE ORIGINAL EQUIPMENT PARTS. Use of service/equipment parts other than original equipment parts may void your warranty.

ALL UNNUMBERED ITEMS ARE INTERCHANGABLE WITH OPPOSITE SIDE

321973A

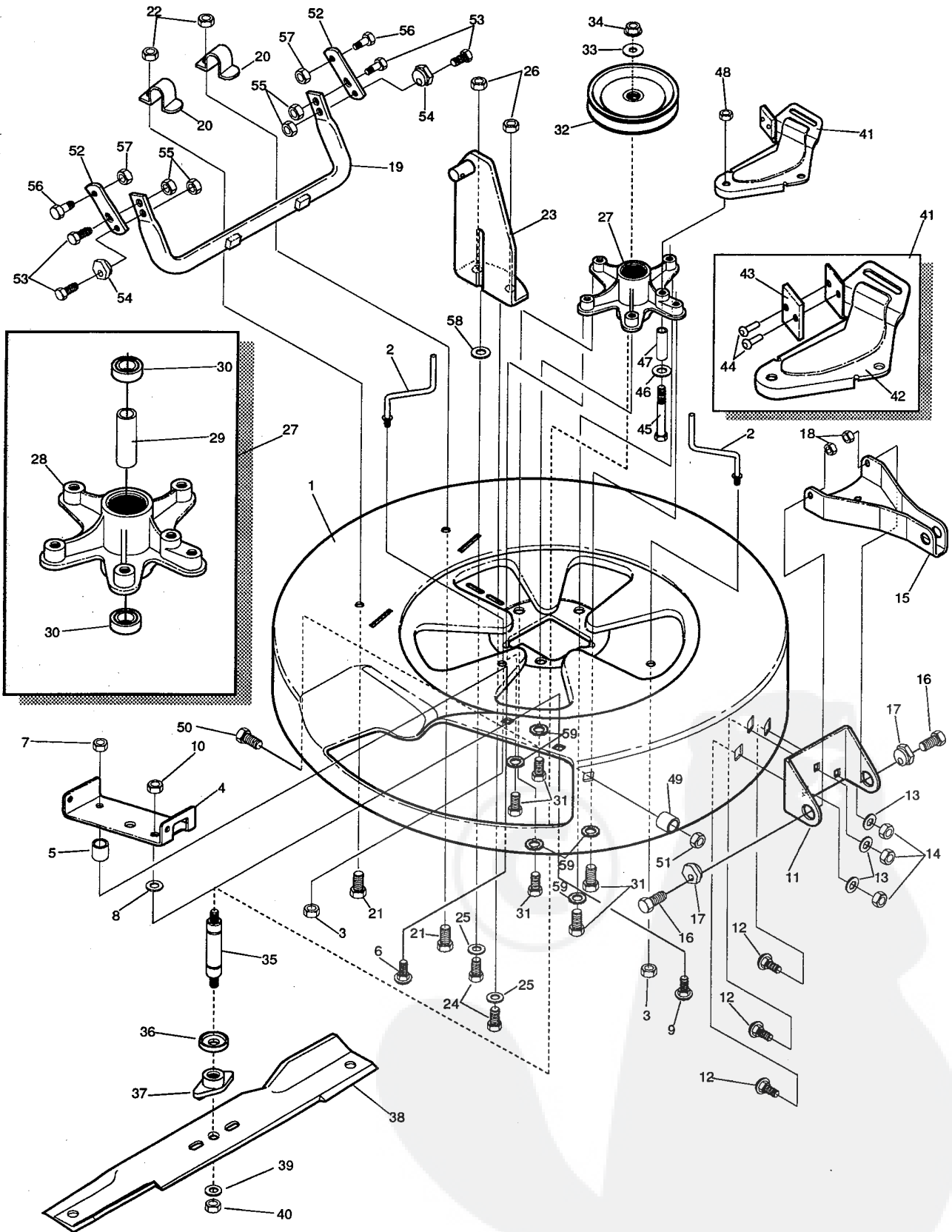
30 " RIDING MOWER MODEL C3595-010

Key	Part#	Description	Qty.
1	ENGINE	SEE ENGINE MANUAL	1
2	• 50947	Screw, 3/8-16 x 1.250 WD FL LK	3
3	• 180083	Screw, 5/16 - 18 x 1.50 HHC	1
4	• 44108	Nut, 5/16 - 18 H WD FL LK	1
5	309960	Exhaust Assy.	1
6	314986	Tank, Gas-Elec, 1.3 GAL	1
7	12501	Cap, Fuel -2.5 Throat	1
8	313368	Support, Gas Tank	2
9	• 995346	Screw, 1/4-20 x .50 WA HH TAP	8
10	47452	Gas Line, .25 ID Bulk Length	22 in.
11	120393	Washer, Flat .344 x .69 x .065	1
12	48672	Clamp, Fuel Line	1
13	321240	Control, Throttle	1
14	• 35287	Screw, #8-32 x .38 HH WA TAP	2
15	414106	Washer, Flat .188 x .38 x .040	2
16	39486	Throttle Control, Knob-Round	1
17	57366	Screw, Drill Tite	4
18	138485	Washer, EX LK .320 x .61 x .03	1
19	47345	Clamp Hose	1

• STANDARD HARDWARE ITEMS

30" RIDING MOWER MODEL C3595-010

PRE-PAINT DECK ASSEMBLY



NOTE: ALWAYS USE ORIGINAL EQUIPMENT PARTS. Use of service/equipment parts other than original equipment parts may void your warranty.

ALL UNNUMBERED ITEMS ARE INTERCHANGABLE WITH OPPOSITE SIDE

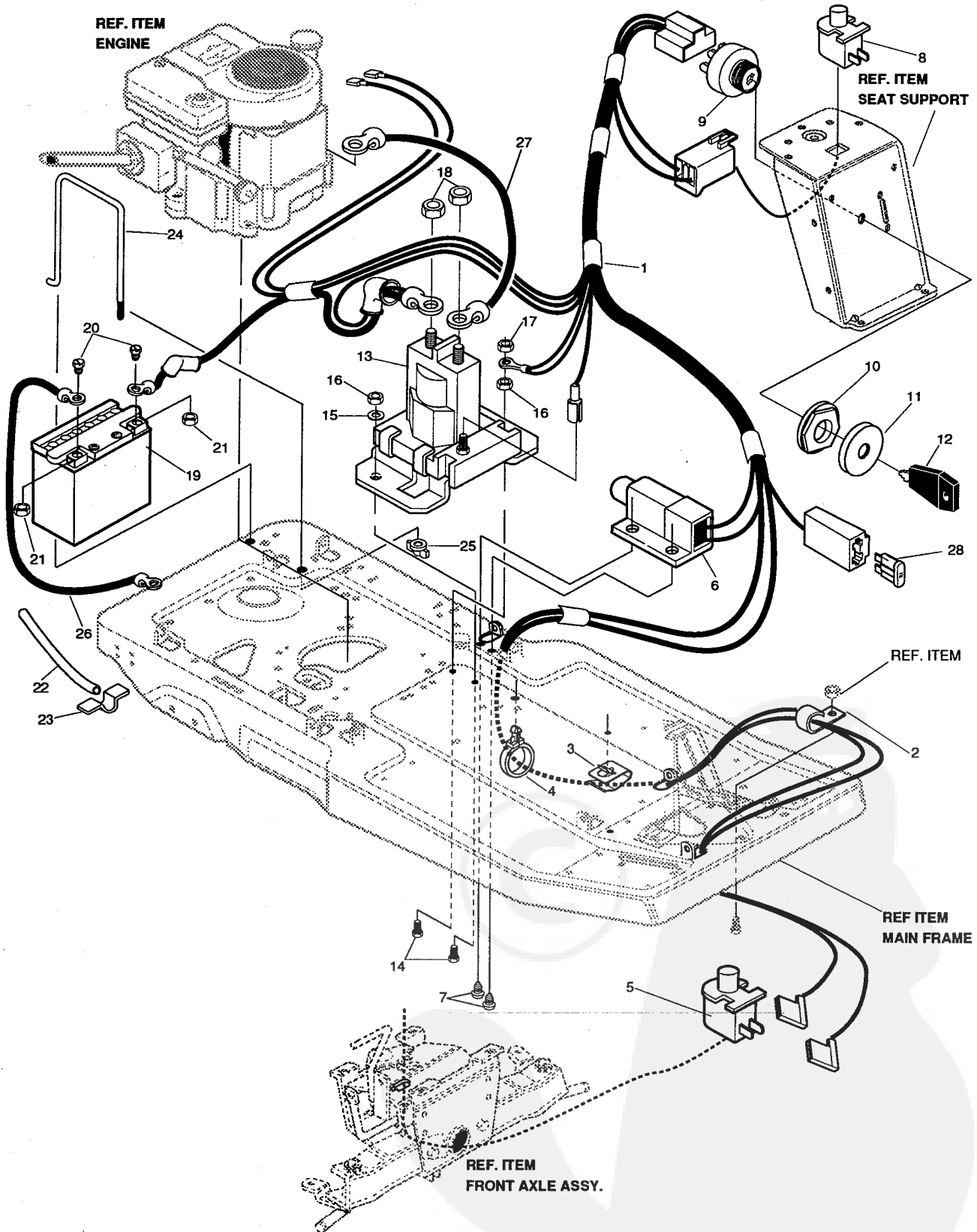
313589D

30" RIDING MOWER MODEL C3595-010

Key#	Part#	Description	Qty.
1	321982-853	DECK, MOWER 30 INCH	1
2	57318	GUIDE, BELT 5/16-18 THD	2
3	1498	NUT, 5/16-18 REGHEXCTRLK	2
4	302364	BRACKET, CHUTE MOUNT	1
5	314702	SPACER, .344X1.00X.500	1
6	120230	BOLT, 5/16-18X1.25 CARR	1
7	1498	NUT, 5/16-18 REGHEXCTRLK	1
8	45602	WASHER, FLAT .333X .87X.119 Z	1
9	126216	BOLT, 5/16-18X .75 CARR GR2 Z	1
10	1498	NUT, 5/16-18 REGHEXCTRLK	1
11	311237	BRACKET, MOUNTING, FRONT	1
12	57072	BOLT, 5/16-18X .63 CARR	3
13	120393	WASHER, FLAT .344X .69X.065	3
14	1498	NUT, 5/16-18 REGHEXCTRLK	3
15	311236	BRACKET, BAR, TOW, FRONT	1
16	122017	SCREW, 5/16-18X1.00 HHC	2
17	58247	ADJUSTING NUT	2
18	1498	NUT, 5/16-18 REGHEXCTRLK	2
19	313372	ASSY., TUBE, PIVOT	1
20	51985	SUPPORT, PIVOT TUBE	2
21	180077	SCREW, 5/16-18X .75 HHC	2
22	1498	NUT, 5/16-18 REGHEXCTRLK	2
23	314119	ASSY LIFT BRKT	1
24	180077	SCREW, 5/16-18X .75 HHC GR5 Z	2
25	120393	WASHER, FLAT .344X .69X.065	2
26	1498	NUT, 5/16-18 REGHEXCTRLK	2
27	313588	ASSEMBLY, QUILL	1
28	314272	QUILL, MACHINED CASTING	1
29	314274	TUBE, SPACER	1
30	313576	BEARING, BALL, 6204-2RS-Q	2
31	50634	SCREW, 5/16-18X .88 WAHTAP	5
32	314273	PULLEY ASSEMBLY	1
33	22265	WASHER, FLAT .515X1.38X.119PL	1
34	1500	NUT, 1/2-13 REGHXCTRLK	1
35	314271	SHAFT, QUILL 30" MOWER	1
36	313577	SHIELD, DUST, BEARING	1
37	313584	HUB, BLADE ADAPTOR	1
38	314826	BLADE, 30" TD MOWER .7 WING	1
39	22265	WASHER, FLAT .515X1.38X.119PL	1
40	1500	NUT, 1/2-13 REGHXCTRLK	1
41	12229	BRACKET, IDLER ASSEMBLY	1
42	313510	BRACKET, ARM, IDLER	1
43	306973	BRAKE PAD - HARD - 232AF	1
44	41601	RIVET, OVSET .187DIAX .50LG	2
45	180091	SCREW, 5/16-18X2.50 HHC	1
46	45602	WASHER, FLAT .333X .87X.119	1
47	314824	SPACER, .322 X .625 X 1.810	1
48	44108	NUT, 5/16-18 HWDFLCTRLK	1
49	50520	SPACER	1
50	126216	BOLT, 5/16-18X .75 CARR	1
51	1498	NUT, 5/16-18 REGHEXCTRLK	1
52	314099	BRACKET, BAR, REAR STABILI	2
53	122017	SCREW, 5/16-18X1.00 HHC	4
54	58247	ADJUSTING NUT	2
55	1498	NUT, 5/16-18 REGHEXCTRLK	4
56	51940	BOLT, .500X .437 HSH 3/8-16	2
57	1499	NUT, 3/8-16 REGHXCTRLK	2
58	45602	WASHER, FLAT .333 X .87 X .119Z	1
59	138485	WASHER, EXLK .320X.61X.03	5

30" RIDING MOWER MODEL C3595-010

ELECTRICAL ASSEMBLY



NOTE: ALWAYS USE ORIGINAL EQUIPMENT PARTS. Use of service/equipment parts other than original equipment parts may void your warranty.

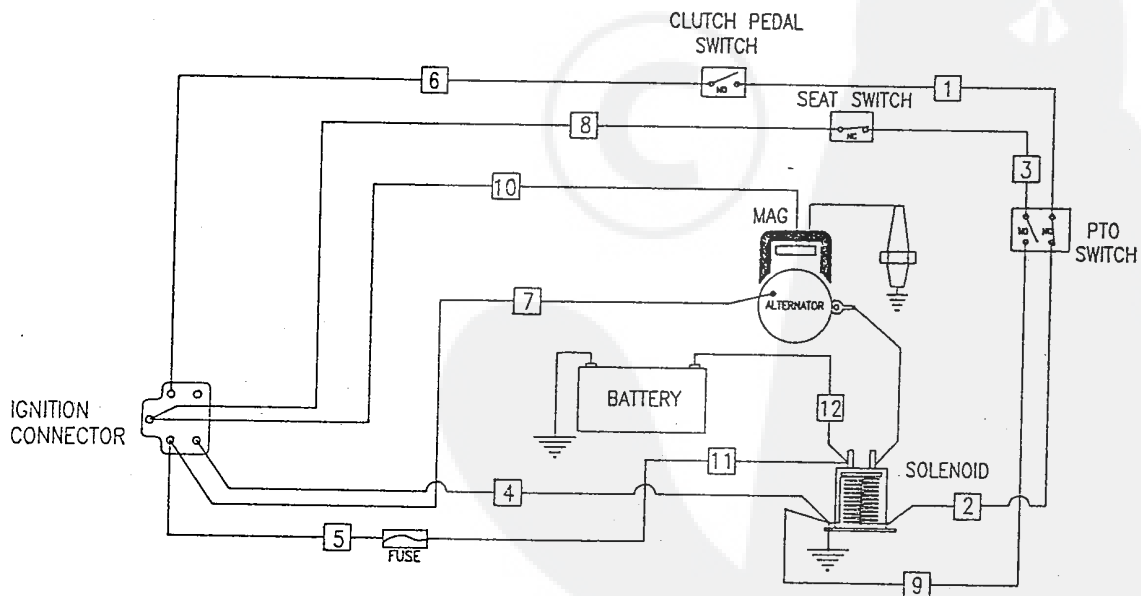
ALL UNNUMBERED ITEMS ARE INTERCHANGABLE WITH OPPOSITE SIDE

321958A

30 " RIDING MOWER MODEL C3595-010

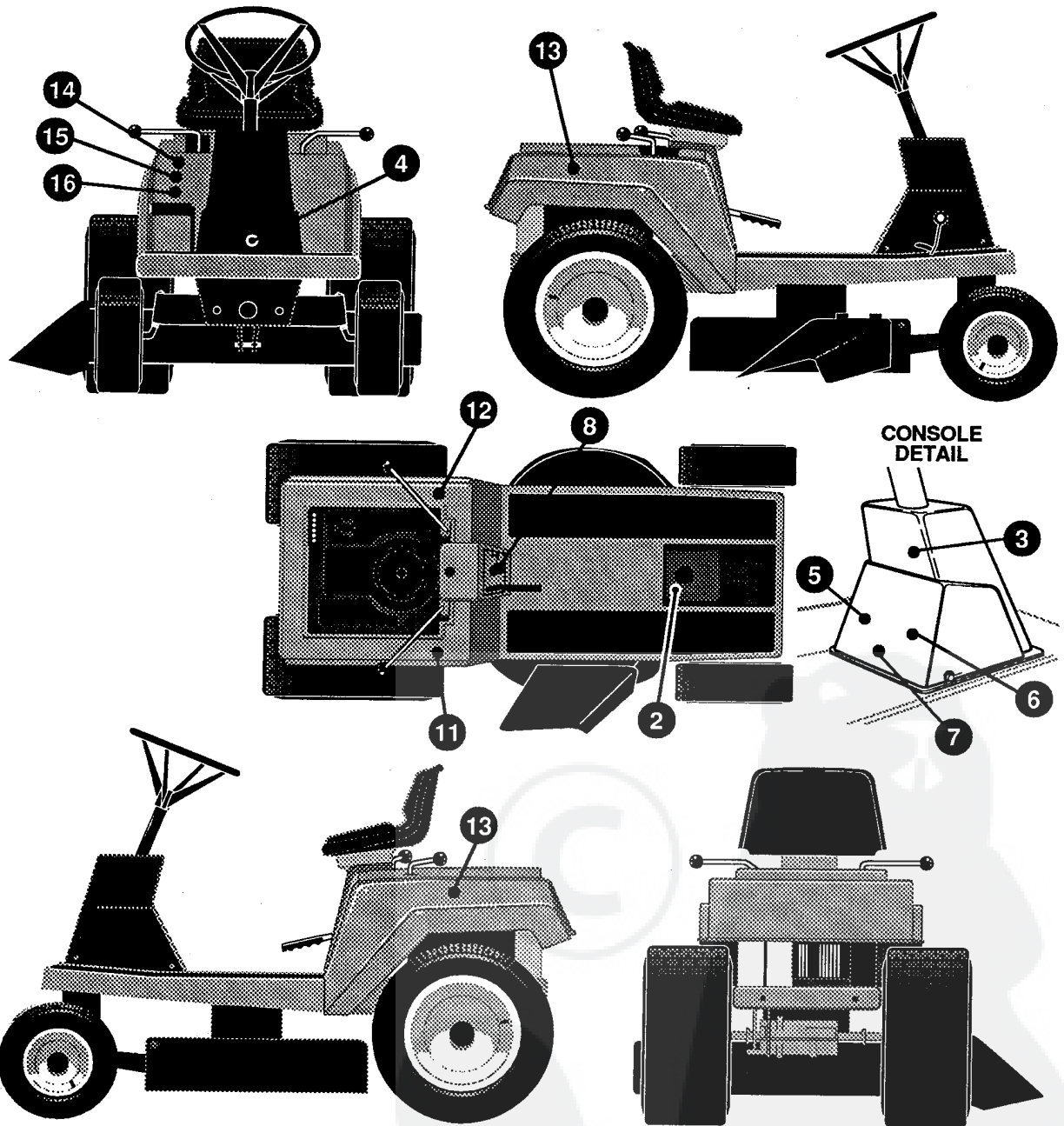
Key#	Part#	Description	Qty.
1	321952	HARNESS, ELEC RER C2 8-11B&S	1
2	57569	RETAINER, .31IDX.62X.03 WIRE	1
3	309098	CLIP, TRW #C4490-022-27	1
4	309698	CLIP, WIRE ROUTING, SNAP-IN	1
5	12553	SWITCH, SNAP MNT NO .140	1
6	57476	SWITCH, SCR MNT DP NC	1
7	57220	SCREW, #12 X .50 PHPNHTAP	1
8	58277	SWITCH, SNAPMNT NC .055/.166	2
9	300687	SWITCH, IGNITION & LIGHTS	1
10	300193	NUT, 5/8-32 IGN SWIT	1
11	300194	BOOT, SWITCH	1
12	300626	KEY, IGNITION SWITCH	1
13	53716	SOLENOID, NEW CLUM	1
14	187745	SCREW, 1/4-20X .75 HXSEMMA	2
15	138485	WASHER, EXLK .320X.61X.03	1
16	1502	NUT, 1/4-20 REGHEXCTRLK	2
17	271172	NUT, 1/4-20 REGHEXKEPS	1
18	271187	NUT, 5/16-24 HKEPS	2
19	55472	BATTERY, YUASA 12N14	1
20	55529	SCR. , METRIC, 6X1X11	1
21	55530	NUT, METRIC, 6X1 HEX	1
22	55636	DRAIN TUBE, BATT	1
23	41482	CLIP, 1.380LG .255ID PRESS WIRE	1
24	303271	HOLD DOWN BRKT	1
25	310067	NUT, WING 1/4-20 SMALL PLASTIC	1
26	55511	WIRE, GROUND, 12.5"	1
27	322698	WIRE, STARTER,	1
28	302031	FUSE SPADE TYPE 32V 15A	1

WIRING SCHEMATIC



30" RIDING MOWER MODEL C3595-010

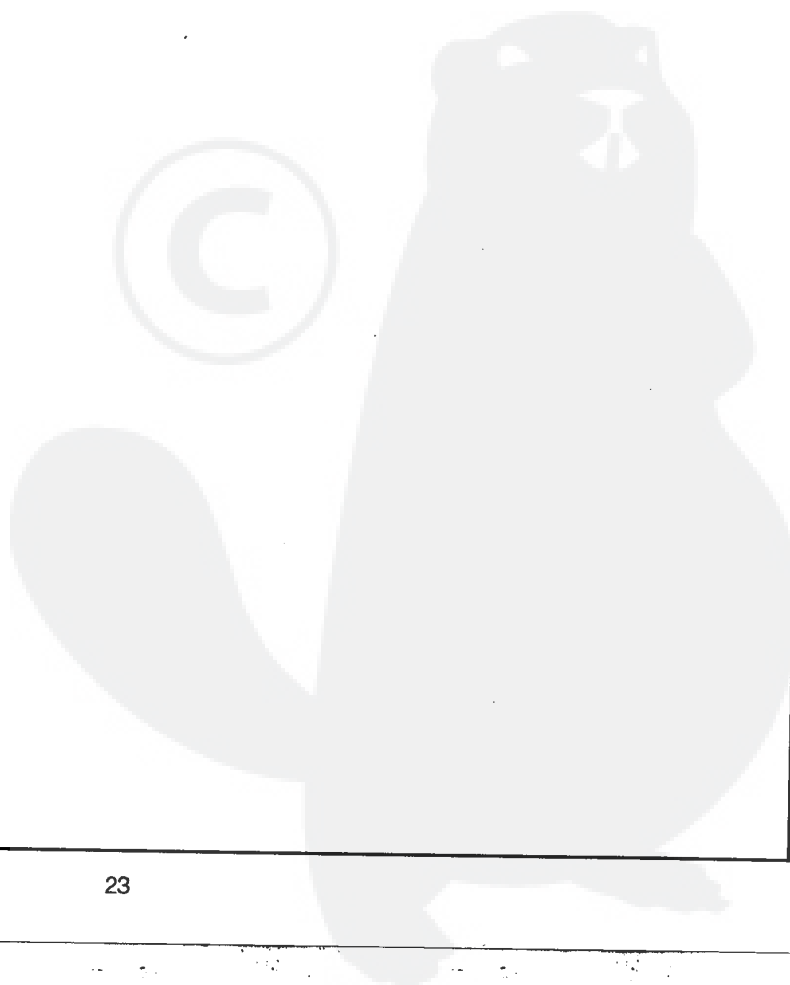
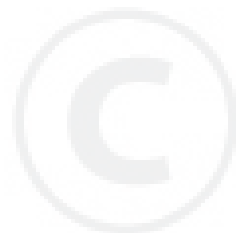
DECAL ASSEMBLY



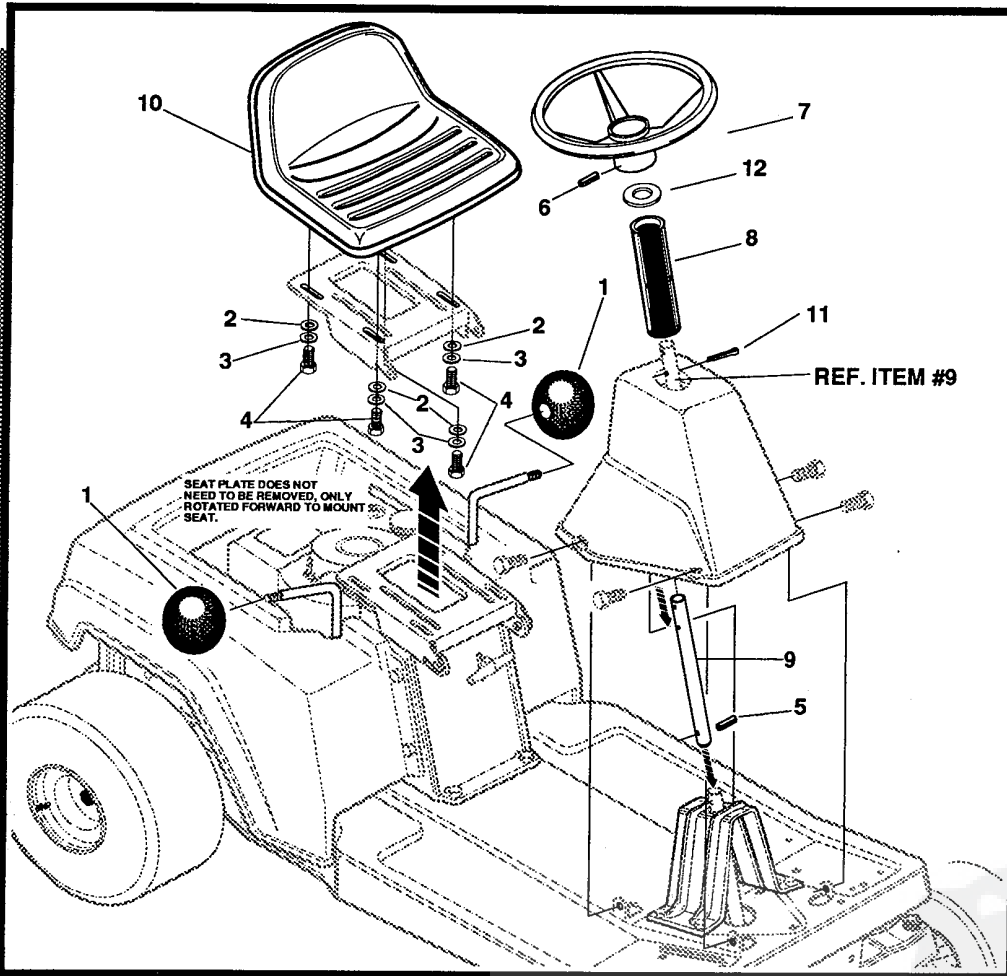
322675B

30 " RIDING MOWER MODEL C3595-010

Key#	Part#	Description	Qty.
1.		REFERENCE ONLY	
2.	317348	DECAL, PARK'N/BRAKE ISO	1
3.	311227	DECAL, HEARING PROTECTION	1
4.	323627	NAME PLATE, 8/30 WHITE	1
5.	312982	DECAL, ELECT START INSTR ENG	1
6.	312983	DECAL, ELECT START INSTR FREN	1
7.	312984	DECAL, ELECT START INSTR GERM	1
8.	320706	DECAL, CNTRL 30", NO LITE	1
9.		REFERENCE ONLY	
10.		REFERENCE ONLY	
11.	311232	DECAL, SHIFT, 5SP, ISO, DOM.	1
12.	305397	DECAL, PTO ENGAGEMENT, ISO	1
13.	302734	NAME PLATE, DYNAMARK/BY NOMA	2
14.	305770	DECAL, CAUTION TRIANGLE EUROPE	1
15.	307381	DECAL, DANGER FRENCH, ENGLISH	1
16.	311066	DECAL, DANGER GERMAN	1



30" RIDING MOWER MODEL C3595-010

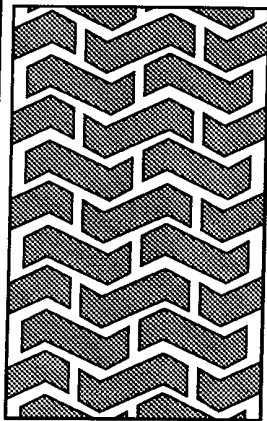


CUSTOMER ASSEMBLY VIEW

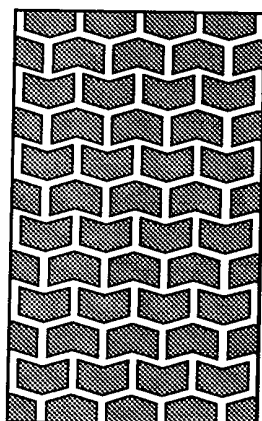
Key#	Part#	Description	Qty
1	55514	SHIFT KNOB	2
2	120393	WASHER, FLAT .344 X .69 X .065	4
3	120638	WASHER, HV SPT LK .328 X .60 X .11	4
4	122007	SCREW, 5/16 -18 X .75 HHC GR2	4
5	417375	PIN, SPRING .187 DIA X 1.25 LG MD	1
6	456836	PIN, SPRING .250 DIA X 2.25 LG HVPL	1
7	301465	WHEEL, STEERING	1
8	305605	TUBE, DECORATIVE	1
9	300797	TUBE-STEERING	1
10	304315	SEAT	1
11	120123	PIN, COTTER .125 DIA X 1.25 LG Z	1
12	301702	WASHER, FLAT .90 X 1.56 X .89	1

316961A

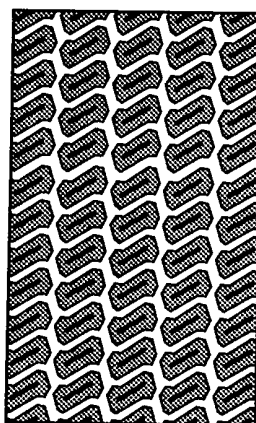
TREAD PATTERNS



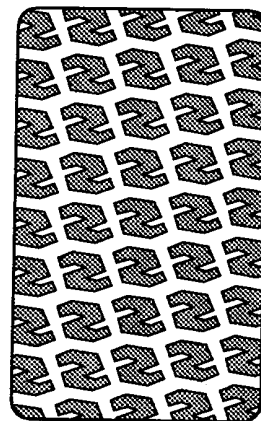
"A"



"B"



"C"



"D"

TIRE SIZE	"A"	"B"	"C"	"D"
11 X 4.00 - 5	42295	319679		
13 X 5.00 - 6	41060	319680		
15 X 6.00 - 6	39830	316702	301140	313952
16 X 6.50 - 8	41081	319682		314539
18 X 8.50 - 8	319683	317400		
18 X 9.50 - 8	41106	316701		313950
20 X 8.00 - 8	319685	319684	57164	314584
20 X 10.00 - 8	58276	319686		313654
20 X 10.00 - 10	55893	319687		
23 X 9.50 - 12	53655	319690	319689	314370

ACCESSORIES

Contact the dealer where your tractor was purchased for the available accessories. If you are unable to contact the dealer, write to the address on the front cover of this manual.

Rear Engine Rider

Model	Description
5708-16	Bagger - Fits 32" Side Discharge
5708-17	Bagger - Fits 36" Side Discharge
5709-02	Front Weight Box - holds 35 lbs.
5648-16	Lawn Sweeper w/dump Release

Lawn Tractor

Model	Description
5708-22	Bagger - Fits 30" Top Discharge
5708-13	Bagger - Fits 36", 38", 39" & 45" Side Discharge
5708-14	Bagger - Fits 40", 42", 43" & 46" Side Discharge
5661-06	42" Snowblade
5661-08	48" Snowblade
5592-00	Tire Chains - 18" x 6.50"
5585-00	Tire Chains - 18" x 9.50" & 20" x 8"
5672-01	Wheel Weights - Front - 1 pr. w/mtg. hdw. - Fits 15" tires
5673-02	Wheel Weights - Rear - 1 pr. w/mtg. hdw. - Fits 18" & 20" tires
5709-03	Front Weights - Fits 30" & 32" Side Discharge
5648-16	Lawn Sweeper w/dump Release
5705-06	42" Two-Stage Snowblower

Garden Tractor - Light Ground Engaging

Model	Description
5708-13	Bagger - Fits 36", 38", 39", & 45" Side Discharge
5708-14	Bagger - Fits 40", 42", 43" & 46" Side Discharge"
5661-06	42" Snowblade
5672-01	Wheel Weights - Front 1 pr. w/mtg. hdw. - Fits 15" tires
5673-02	Wheel Weights - Rear - 1 pr. w/mtg. hdw. - Fits 18" & 20" tires
5648-16	Lawn Sweeper w/dump Release
5667-02	Sleeve Hitch - w/lift bar
5668-01	Adaptor (sleeve hitch) for use w/23" tires
5706-00	Tire Chains - 20" x 10"
5671-00	Tire Chains - 23" x 9.50"
5672-02	Wheel Weights - Front - 1 pr. w/mtg. hdw. Fits 16" tires
5673-00	Wheel Weights - Rear - 1 pr. w/mtg. hdw. Fits 23" tires
5674-01*	10" One Bottom Moldboard Plow
5675-01*	Cultivator - 7 row - Adj. 6" - 42" width
5676-01*	Disc Harrow - 8" & 11" disc - Adj. width & disc angle
5677-02*	Tiller - 5 H.P. Self-Powered - 28" width
5705-06	42" Two-Stage Snowblower
5661-08	48" Snowblade

Euro Four Wheel Steer

Model	Description
5708-14	Bagger - Fits 40", 42", 43" & 46" Side Discharge
5705-05	42" One-Stage Snowblower
5661-07	48" Snowblade
5709-04	Rear Weight Box
5648-16	Lawn Sweeper w/dump Release
5706-00	Tire Chains 20" x 10"
5671-00	Tire Chains 23" x 9.50"
5672-02	Wheel Weights - Front - 1 pr. w/mtg. hdw. Fits 16" tires
5673-00	Wheel Weights - Rear - 1 pr. w/mtg. hdw. Fits 23" tires
5672-01	Wheel Weights - Front - 1 pr. w/mtg. hdw. Fits 15" tires
5673-02	Wheel Weights - Rear - 1 pr. w/mtg. hdw. Fits 18" & 20" tires

Euro Two Wheel Steer Garden Tractor

Model	Description
5667-04	Sleeve Hitch - w/lift bar Fits 46"
5674-01*	10" One Bottom Moldboard Plow
5675-01*	Cultivator - 7 row - Adj. 6" - 42" width
5676-01*	Disc Harrow 8" & 11" Disc. Adj. width & disc angle
5677-02*	Tiller 5 H.P. Self-Powered - 28" width
5648-16	Lawn Sweeper w/dump Release

*Requires a sleeve hitch