

# REPAIR PARTS MANUAL

## 39" - 12 H.P. LAWN TRACTOR

### MODEL C3912-010

#### TWO YEAR LIMITED WARRANTY

For two (2) years from date of purchase by the first consumer for residential use (thirty (30) days commercial use), NOMA Outdoor Products Incorporated warrants that it will replace free of charge, including labor, any original part of any NOMA Outdoor Products Incorporated product found to be defective by any authorized Service Dealer or the factory, except the battery which is warranted for ninety (90) days from date of purchase.

This warranty does not cover engine, transmission, transaxle or differential (these items are covered by their manufacturer's own warranty). This warranty does not cover parts that have failed due to normal wear or parts that have failed subject to misuse or abuse. Transportation of the unit or part to and from an authorized Service Dealer or factory is the responsibility of the owner.

A step by step explanation as to what procedure should be followed for this warranty is:

1. If a part becomes defective, contact the store where the unit was purchased for the name and address of the authorized Service Dealer nearest to you.
2. If you cannot locate an authorized Service Dealer, write Service Department of NOMA Outdoor Products Incorporated for the name and address of the authorized Service Dealer in your area or call the Service Department at 1-901-422-1690.
3. Return the defective product, along with proof of purchase to such authorized Service Dealer for replacement of any defective part where covered by this warranty.

There is no other express warranty. Implied warranties, including those of merchantability and fitness for a particular purpose are limited to two (2) years from date of purchase. Liability for incidental or consequential damages are excluded.

Some states do not allow limitations on how long an implied warranty lasts, so the above limitation may not apply to you. Some states do not allow the exclusion of incidental or consequential damages, so the above exclusion may not apply to you. This warranty gives you specific legal rights, and you may have other rights which vary from state to state.

**NOMA Outdoor Products Incorporated**

**Caller 8000**

**Jackson, TN 38308-8000**

#### UNIT PARTS AND SERVICE

Fill in and mail the registration card packed with the unit. For service other than covered in this manual, contact an authorized service dealer. A nationwide parts and service organization has been established to provide locally available parts and service. A list of authorized parts distributors has been included in this manual. When ordering repair parts, always give the following information: 1. The Part Name; 2. The Part Number; 3. The Quantity desired; 4. The Full (eight digit) Model Number of the unit. The model number will be found on a plate attached to the unit.



**Look for this symbol. It means - ATTENTION! BECOME ALERT! A HAZARD TO OPERATOR, BYSTANDER, PROPERTY OR EQUIPMENT MAY EXIST.**

**NOMA Outdoor Products Incorporated**

**Caller 8000**

**Jackson, TN 38308-8000**

Part No. 324179A

4791

## SAFETY RULES



**CAUTION: ALWAYS DISCONNECT SPARK PLUG WIRES AND PLACE THEM WHERE THEY CANNOT CONTACT SPARK PLUG TO PREVENT ACCIDENTAL STARTING WHEN SETTING-UP, TRANSPORTING, ADJUSTING OR MAKING REPAIRS.**



### IMPORTANT

**THIS CUTTING MACHINE IS CAPABLE OF AMPUTATING HANDS AND FEET AND THROWING OBJECTS. FAILURE TO OBSERVE THE FOLLOWING SAFETY INSTRUCTIONS COULD RESULT IN SERIOUS INJURY OR DEATH.**

#### I. GENERAL OPERATION:

- Know controls and how to stop quickly.
- Read, understand, and follow all instructions in the manual and on the machine before starting.
- Only allow responsible adults, who are familiar with instructions, to operate the machine.
- Wear safety glasses or eye shields when assembling or operating the machine.
- Do not operate machine when barefooted. Always wear substantial footwear, preferably steel-toed shoes.
- Do not wear loose fitting clothing that could get caught in moving parts.
- Clear the area of objects such as rocks, toys, wire, etc., which could be picked up and thrown by the blade(s).
- Be sure the area is clear of other people before mowing. Stop machine if anyone enters the area.
- Never carry passengers.
- Do not mow in reverse unless absolutely necessary. Always look down and behind before and while backing.
- Be aware of the mower discharge direction and do not point it at anyone. Do not operate the mower without either the entire grass catcher or the guard in place.
- Slow down before turning.
- Never leave a running machine unattended. Always turn off blades, set parking brake, stop engine, and remove keys before dismounting.
- Turn off blade(s) when not mowing.
- Stop engine before removing grass catcher or unclogging chute.
- Mow only in daylight or good artificial light.
- Do not operate the machine while under the influence of alcohol or drugs.
- Watch for traffic when operating near or crossing roadways.
- Use care when mowing around a fixed object to prevent the blade(s) from striking it. Never deliberately run over any foreign object.
- Use extra care when loading or unloading the machine into a trailer or truck.
- Use care when pulling loads or using heavy equipment.
  - a. Use only approved drawbar hitch points.
  - b. Limit loads to those that you can safely control.
  - c. Do not turn sharply. Use care when backing.
  - d. Use counterweight(s), wheel weight or tire chains when suggested in attachment(s) instructions.

#### II. SLOPE OPERATION:

Slopes are a major factor related to loss-of-control and tip-over accidents, which can result in severe injury or death. *All slopes require extra caution.* If you cannot back up the slope or if you feel uneasy on it, do not mow it.

##### DO

- Mow up and down slopes, not across.
- Remove obstacles such as rocks, tree limbs, etc.
- Watch for holes, ruts, or bumps. Uneven terrain could overturn the machine. *Tall grass can hide obstacles.*
- Use slow speed. Choose a low gear so that you will not have to stop or shift while on the slope.
- Follow the manufacturer's recommendations for wheel weights or counterweights to improve stability.
- Use extra care with grass catchers or other attachments. These can change the stability of the machine.
- Keep all movement on the slopes *slow* and *gradual*. Do not make sudden changes in speed or direction.
- Avoid starting or stopping on a slope. If tires lose traction, turn off the blade(s) and proceed slowly *straight* down the slope.

##### DO NOT

- Do not turn on slopes unless necessary, and then slowly and gradually downhill, if possible.
- Do not mow near drop-offs, ditches or embankments. The

mower could suddenly turn over if a wheel is over the edge of a cliff or ditch, or if an edge caves in.

- Do not mow on wet grass. Reduced traction could cause sliding.
- Do not try to stabilize the machine by putting your foot on the ground.
- Do not use grass catcher on steep slopes.

#### III. CHILDREN:

Tragic accidents can occur if the operator is not alert to the presence of children. Children are often attracted to the machine and the mowing activity. *Never* assume that children will remain where you last saw them.

- Keep children out of the mowing area and under the watchful care of another responsible adult.
- Be alert and turn machine off if children enter the area.
- Before and when backing, look behind and *down* for small children.
- Never carry children. They may fall off and be seriously injured or interfere with safe machine operation.
- Never allow children to operate the machine.
- Use extra care when approaching blind corners, shrubs, trees, or other objects that may obscure vision.

#### IV. SERVICE:

- Use extra care in handling gasoline and other fuels. They are flammable and vapors are explosive.
  - a. Use only an approved container.
  - b. Never remove gas cap or add fuel with the engine running. Allow engine to cool before refueling. Do not smoke.
  - c. Never refuel the machine indoors.
  - d. Never store the machine or fuel container inside where there is an open flame, such as in a water heater.
- Check fuel supply before each use allowing space for expansion as the heat of the engine and/or sun can cause gasoline to expand and overflow the tank.
- Use extra care when handling battery acid. Acid contact with skin may cause severe burns. Eye contact may cause blindness.
- Use extra care when servicing the battery. Explosive gas is produced in the battery. Do not service the battery while smoking or near an open spark or flame. This may cause the battery to explode causing serious injury.
- Never run a machine inside a closed area. Exhaust fumes contain CARBON MONOXIDE, an ODORLESS and DEADLY GAS.
- Keep nuts and bolts, especially blade attachment bolts, tight and keep equipment in good condition.
- Never tamper with safety devices. Check their operation regularly.
- Do not change the engine governor settings or overspeed engine.
- Reduce fire hazards. Keep machine free of grass, leaves, or other debris build-up. Clean up oil or fuel spillage. Allow machine to cool before storing.
- Stop and inspect the equipment if you strike an object. Repair, if necessary, before restarting.
- Never make adjustments or repairs with the engine running.
- Grass catcher components are subject to wear, damage, and deterioration, which could expose moving parts or allow objects to be thrown. Frequently check components and replace with manufacturer's recommended parts, when necessary.
- Mower blade(s) are sharp and can cut. Wrap the blade(s) or wear gloves, and use extra caution when servicing them.
- Check brake operation frequently. Adjust and service as required.



**LOOK FOR THIS SYMBOL TO POINT OUT IMPORTANT SAFETY PRECAUTIONS. IT MEANS--ATTENTION!!! BECOME ALERT!!! YOUR SAFETY IS INVOLVED.**

## OWNER'S INFORMATION

Record the following information about your unit so that you will be able to provide it in case of loss or theft.

MODEL NUMBER:     -     (Enter complete 8 digit number from model plate on unit)  
 PURCHASE DATE: \_\_\_ / \_\_\_ / \_\_\_ CODE NO.: \_\_\_\_\_ SERIAL NO.: \_\_\_\_\_  
 DEALER'S NAME AND ADDRESS: \_\_\_\_\_  
 CITY: \_\_\_\_\_ STATE: \_\_\_\_\_ TELEPHONE: \_\_\_\_\_

### CONTENTS OF SHIPPING CARTON

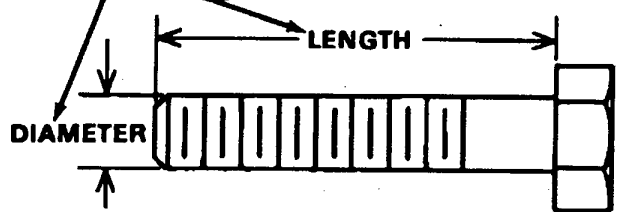
- 1 - Lawn Tractor with 39 inch Mower Deck
- 1 - Operator's Manual
- 1 - Repair Parts Manual
- 1 - Engine Manual
- 1 - Steering Wheel (see Note)
- 1 - Seat (see Note)
- 1 - Bag of Assembly Parts Containing (see Note):
  - 1 - Oil Drain Trough
  - 1 - Steering Sleeve
  - 4 - 5/16 x 3/4 inch Hex Head Screws
  - 4 - 5/16 inch Split Lockwashers
  - 4 - 11/32 inch Flatwashers
  - 1 - Roll Pin

**NOTE:** Refer to page 22 (Customer Assembly Parts) for more detailed description.

### TOOLS REQUIRED FOR ASSEMBLY

- 2 - 7/16 inch Wrenches (or adjustable wrench)
- 1 - 1/2 inch Wrench (or adjustable wrench)
- 1 - Small Phillips Screwdriver with a 1/4 inch shank
- 1 - Hammer

### HOW TO MEASURE SCREW SIZE (5/16 x 1 1/2 INCH)



## DANGER



This lawn tractor can be dangerous if carelessly used.

Read your Operator's Manual thoroughly before operating your lawn tractor.

Always wear safety glasses or eye shields while assembling or operating your lawn tractor.

**DO NOT** carry passengers at any time.

Keep your hands, feet, hair and loose clothing away from the discharge area, the underside of the mower deck or any moving parts while the engine is running.

**DO NOT** allow children or young teenagers to operate or be near your lawn tractor while it is operating.

ALWAYS GIVE THE FOLLOWING INFORMATION WHEN ORDERING REPAIR PARTS:

1. The PART NUMBER; 2. The PART NAME; 3. QUANTITY DESIRED; 4. The MODEL NUMBER (As shown on Model Plate).

SEND PART ORDERS AS PER INSTRUCTIONS ON THE FRONT PAGE.

**DO NOT USE KEY NUMBERS WHEN ORDERING REPAIR PARTS, ALWAYS USE PART NUMBERS.**

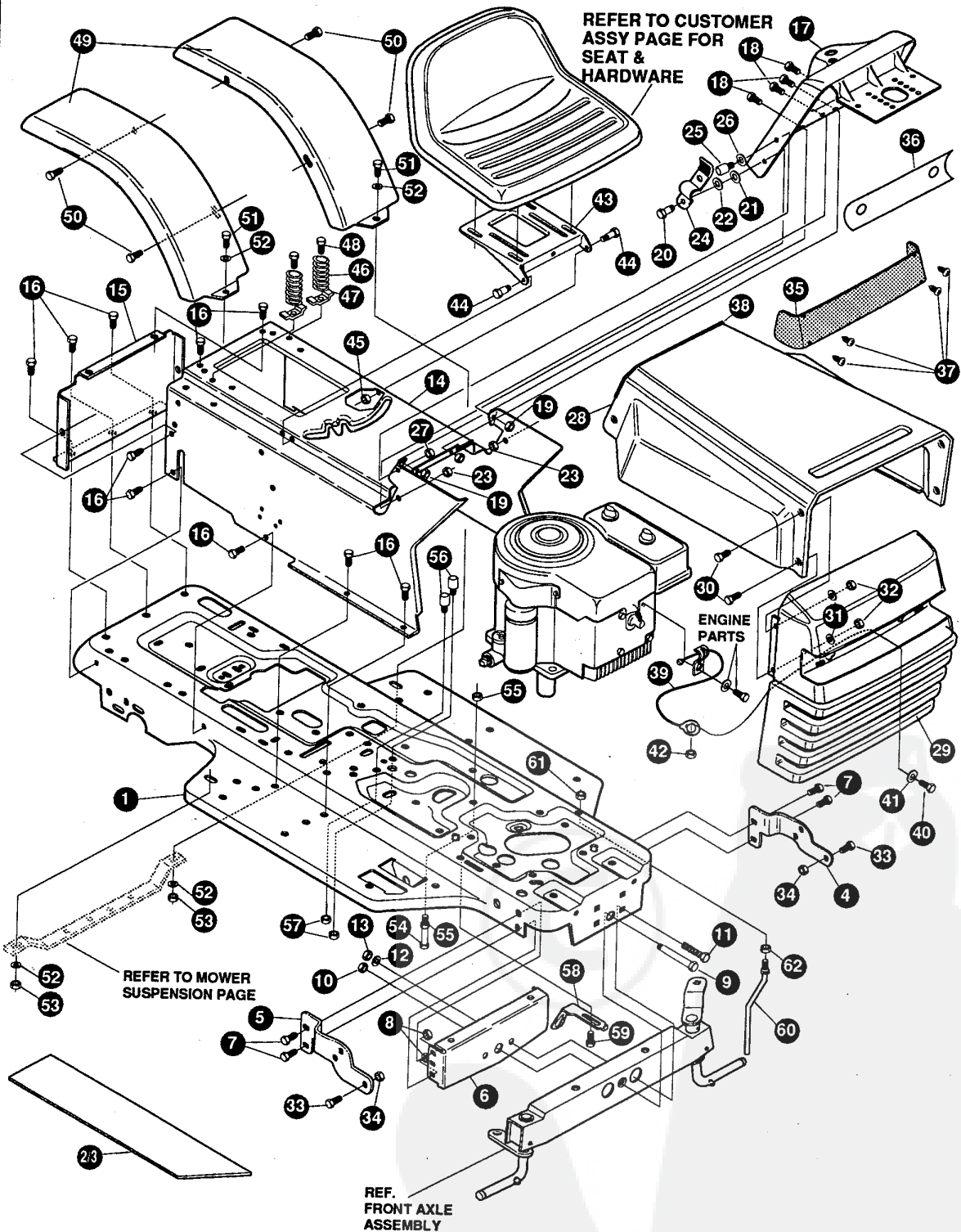
All replacement parts will be supplied in current production colors or in a neutral color.

A handling fee is applicable to small parts orders.

**YOUR UNIT IS RIGHT HAND (RH) OR LEFT HAND (LH) AS YOU STAND BEHIND IT.**

**39" LAWN TRACTOR MODEL C3912-010**

**CHASSIS & HOOD ASSEMBLY**



REFER TO CUSTOMER ASSY PAGE FOR SEAT & HARDWARE

ENGINE PARTS

REFER TO MOWER SUSPENSION PAGE

REF. FRONT AXLE ASSEMBLY

**NOTE: ALWAYS USE ORIGINAL EQUIPMENT PARTS.** Use of service/replacement parts other than original equipment parts may void your warranty.

**ALL UNNUMBERED ITEMS ARE INTERCHANGABLE WITH OPPOSITE SIDE**

322049A

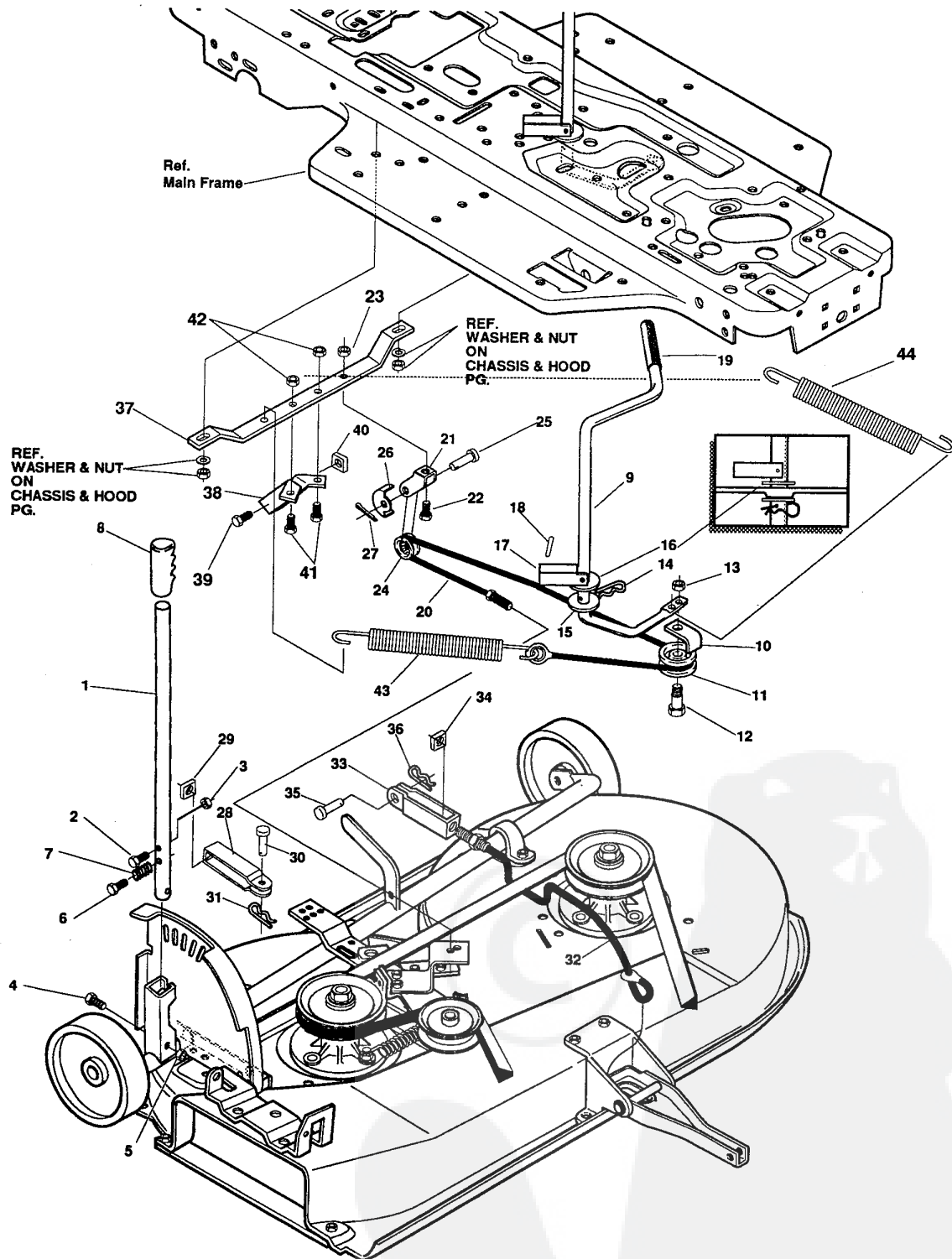
### 39" LAWN TRACTOR MODEL C3912-010

key#	part#	description	qty.
1.	314883-860	FRAME,MAIN SF RIDER	1
2.	302917	FOOT PAD, LH SF WIDE	1
3.	302916	FOOT PAD, RH SF WIDE	1
4.	314579	BRACKET,GRILLE LH SF	1
5.	314578	BRACKET,GRILLE RH SF	1
6.	56362	BRKT,SUPPORT,FRONT AXLE	1
7.	56030	SCREW, 5/16-18X.75WDFLLK	6
8.	55273	NUT, 5/16-18 HXWDFLLK	6
9.	29616	BOLT, .625X1.890 HSSH 1/2-20	1
10.	274654	NUT, 1/2-20 REGHXCTRLK	1
11.	122201	SCREW, 3/8-16X2.75 HHC	2
12.	2483	WASHER, .39IDX1.25DX.07 BELLVIL	2
13.	1499	NUT, 3/8-16 REGHXCTRLK	2
14.	319329-860	CONSOLE	1
15.	56235-860	CONSOLE, REAR COVER	1
16.	995346	SCREW, 1/4-20X .50 WAHTAP	15
17.	320466-860	DASH	1
18.	995338	SCREW, 1/4-20X .63 HHWATAP	4
19.	50352	NUT, 1/4-20 WDFLLK TOPLOCK	2
20.	8482	BOLT, .375X .156 HSSH 5/16-18	2
21.	120394	WASHER, FLAT .406X .81X.065	2
22.	120393	WASHER, FLAT .344X .69X.065	2
23.	1498	NUT, 5/16-18 REGHEXCTRLK	2
24.	57159	LATCH, .94WDX.047 ASSY HOOD	2
25.	53446	PIN, 5/16-18 HOOD LATCH	2
26.	138538	WASHER, REGINTLK.320X.61X.03	2
27.	45174	NUT, 5/16-18 HEXWDFLLK WHIZ	2
28.	314538-860	HOOD	1
29.	314476	GRILLE	1
30.	274672	SCREW, 1/4-20X .63 WAHHC	4
31.	120392	WASHER, FLAT .281X .63X.065	4
32.	1502	NUT, 1/4-20 REGHEXCTRLK	4
33.	36149	BOLT, .375X .500 HSSH 5/16-18	2
34.	1498	NUT, 5/16-18 REGHEXCTRLK	2
35.	302333	LENS, SMOKED W/TAB NO LOGO	1
36.	314948	FOIL,LENS, REFLECTOR	1
37.	57796	SCREW, #6 X .50 PLASTITE/HI-LO	4
38.	47453	EDGING,WIDE BLK	25"
39.	310749	LANYARD,HOOD 9.16 LG H14	1
40.	121887	SCREW, 1/4-20X .75 HHC	1
41.	120392	WASHER, FLAT .281X .63X.065	1
42.	1502	NUT, 1/4-20 REGHEXCTRLK	1
43.	58367-853	PLATE,SEAT	1
44.	20507	BOLT, .437X .156 HSSH 5/16-18	2
45.	1498	NUT, 5/16-18 REGHEXCTRLK	2
46.	56220	SPRING,1.43X2.38X.162 COM SEAT	2
47.	300284	CLAMP, SPRING 1.17"ID	2
48.	995346	SCREW, 1/4-20X .50 WAHTAP	2
49.	43970-860	FENDER	2
50.	995346	SCREW, 1/4-20X .50 WAHTAP	4
51.	122017	SCREW, 5/16-18X1.00 HHC GR2	2
52.	446363	WASHER, FLAT .375X .88X.082	4
53.	1498	NUT, 5/16-18 REGHEXCTRLK	2
54.	427342	SCREW, 3/8-16X6.50 HHC	1
55.	1499	NUT, 3/8-16 REGHXCTRLK	2
56.	53446	PIN, 5/16-18 HOOD LATCH	2
57.	271184	NUT, 5/16-18 HEXKEPS	2
58.	302610	BRACKET,SWITCH MOUNTING	1
59.	995346	SCREW, 1/4-20X .50 WAHTAP	1
60.	50653	GUIDE, BELT	1
61.	41529	NUT, 3/8-16 HXCTRLKJAM GRD	1
62.	271190	NUT, 3/8-16 HEXKEPS	1
63.	323992	OPERATOR'S MANUAL (NOT ILLUSTRATED)	1
64.	324179	PARTS MANUAL (NOT ILLUSTRATED)	1

◊ Indicates STANDARD HARDWARE ITEMS.

# 39" LAWN TRACTOR MODEL C3912-010

## MOWER SUSPENSION ASSEMBLY



ALL UNNUMBERED  
ITEMS ARE INTERCHANGABLE  
WITH OPPOSITE SIDE

NOTE: ALWAYS USE ORIGINAL EQUIPMENT PARTS. Use of service/replacement parts other than original equipment parts may void your warranty.

314836G

### 39" LAWN TRACTOR MODEL C3912-010

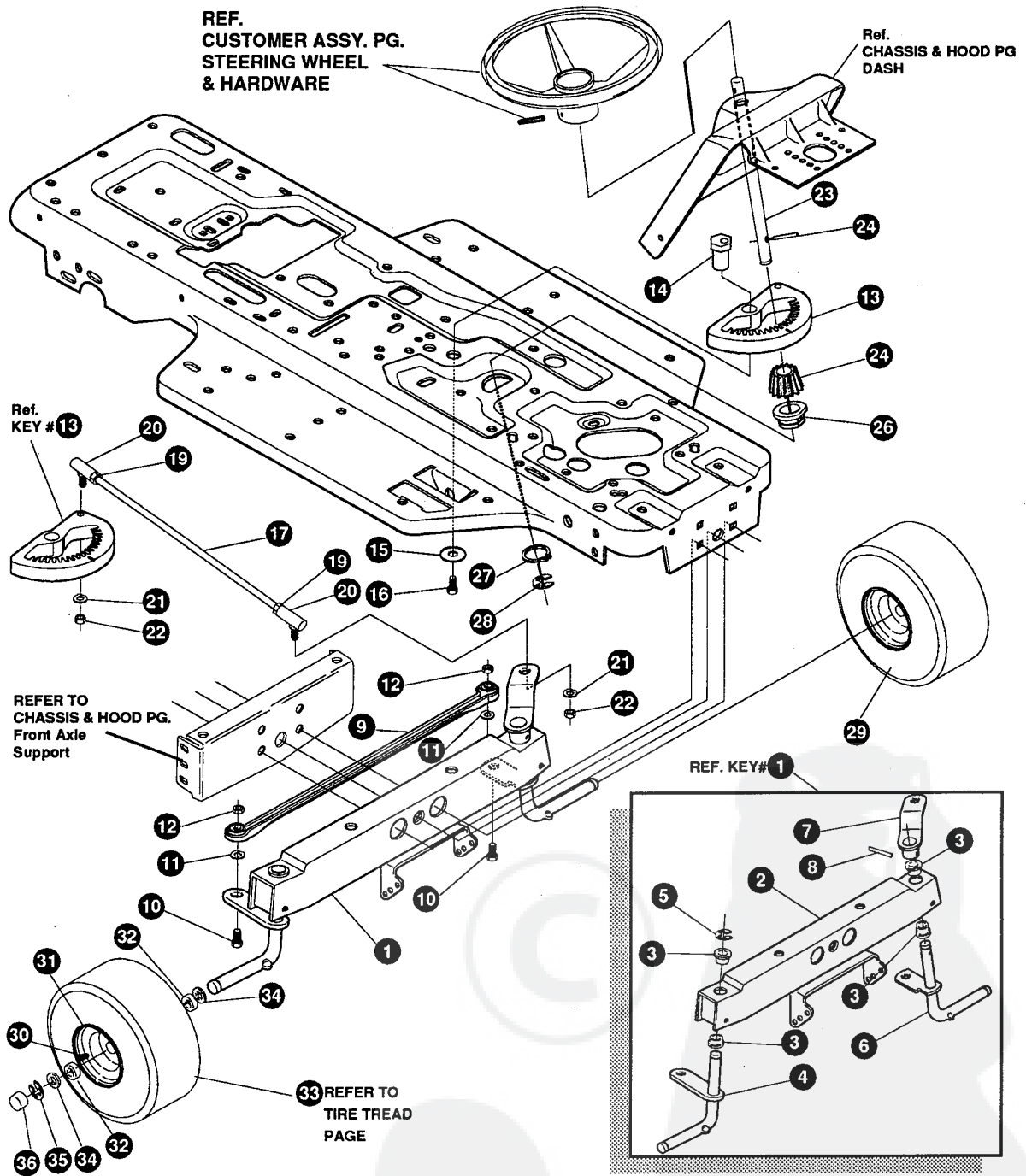
key#	part#	description	qty.
1	313637	LEVER, DECK HEIGHT ADJUST	1
2	57324	BOLT, 5/16-18X.56	1
3	0271184	NUT, 5/16-18 HEXKEPS	1
4	0122040	SCREW, 5/16-18X1.50 HHC	1
5	01498	NUT, 5/16-18 REGHEXCTRLK	1
6	0995346	SCREW, 1/4-20X .50 HHWATAP	1
7	57319	SPRING, .70X.85X.091	1
8	56924	GRIP, .75 X 4.25 HANDLE	1
9	314877	LEVER, CLUTCH	1
10	1288	BRKT, CABLE RETAINER	1
11	39298	PULLEY, .906X.305 NYLON	1
12	58336	BOLT, .375X .375 HSH 1/4-20	1
13	01502	NUT, 1/4-20 REGHEXCTRLK	1
14	8260	PIN, HAIR .091 DIA X1.66LG	1
15	0996425	WASHER, FLAT .515X .88X.064	1
16	022265	WASHER, FLAT .515X1.38X.119	1
17	305225	STOP, PTO ENGAGEMENT	1
18	455481	PIN, SPRING.187DIA X1.00LG	1
19	46478	GRIP, HAND .50ID 3.37	1
20	314520	CABLE, CLUTCH 30.25"	1
21	49320	CABLE, PULLEY SUPPORT	1
22	0120228	SCREW, 5/16-18X .63 HHC	1
23	01498	NUT, 5/16-18 REGHEXCTRLK	1
24	39298	PULLEY, .906X.305 NYLON	1
25	49332	PIN, CLEVIS .375DX.81LG	1
26	314523	GUARD, PULLEY	1
27	121222	PIN, COTTER .090/.086X.75LG	1
28	9405	CLEVIS, LIFT CABLE	1
29	0120372	NUT, 1/4-20 REGSQ	1
30	39522	PIN, CLEVIS .312 X .812	1
31	56180	PIN, HAIR .091 DIA X1.62LG	1
32	301718	CABLE, LIFT 22.7 LG F-5 20X10-8	1
33	9405	CLEVIS, LIFT CABLE	1
34	0120372	NUT, 1/4-20 REGSQ	1
35	39522	PIN, CLEVIS .312 X .812	1
36	56180	PIN, HAIR .091 DIA X1.62LG	1
37	314880-930	GUIDE, SUPPORT, DECK	1
38	314876-930	BRACKET, DECK GUIDE	1
39	0122040	SCREW, 5/16-18X1.50 HHC	1
40	01498	NUT, 5/16-18 REGHEXCTRLK	1
41	0122017	SCREW, 5/16-18X1.00 HHC	2
42	01498	NUT, 5/16-18 REGHEXCTRLK	2
43	300473	SPRING, TENSION	1
44	316648	SPRING .071 X .62 X 12.88	1

0STANDARD HARDWARE ITEMS



# 39" LAWN TRACTOR MODEL C3912-010

## STEERING ASSEMBLY



ALL UNNUMBERED ITEMS ARE INTERCHANGABLE WITH OPPOSITE SIDE

NOTE: ALWAYS USE ORIGINAL EQUIPMENT PARTS. Use of service/replacement parts other than original equipment parts may void your warranty.

319475C



### 39" LAWN TRACTOR MODEL C3912-010

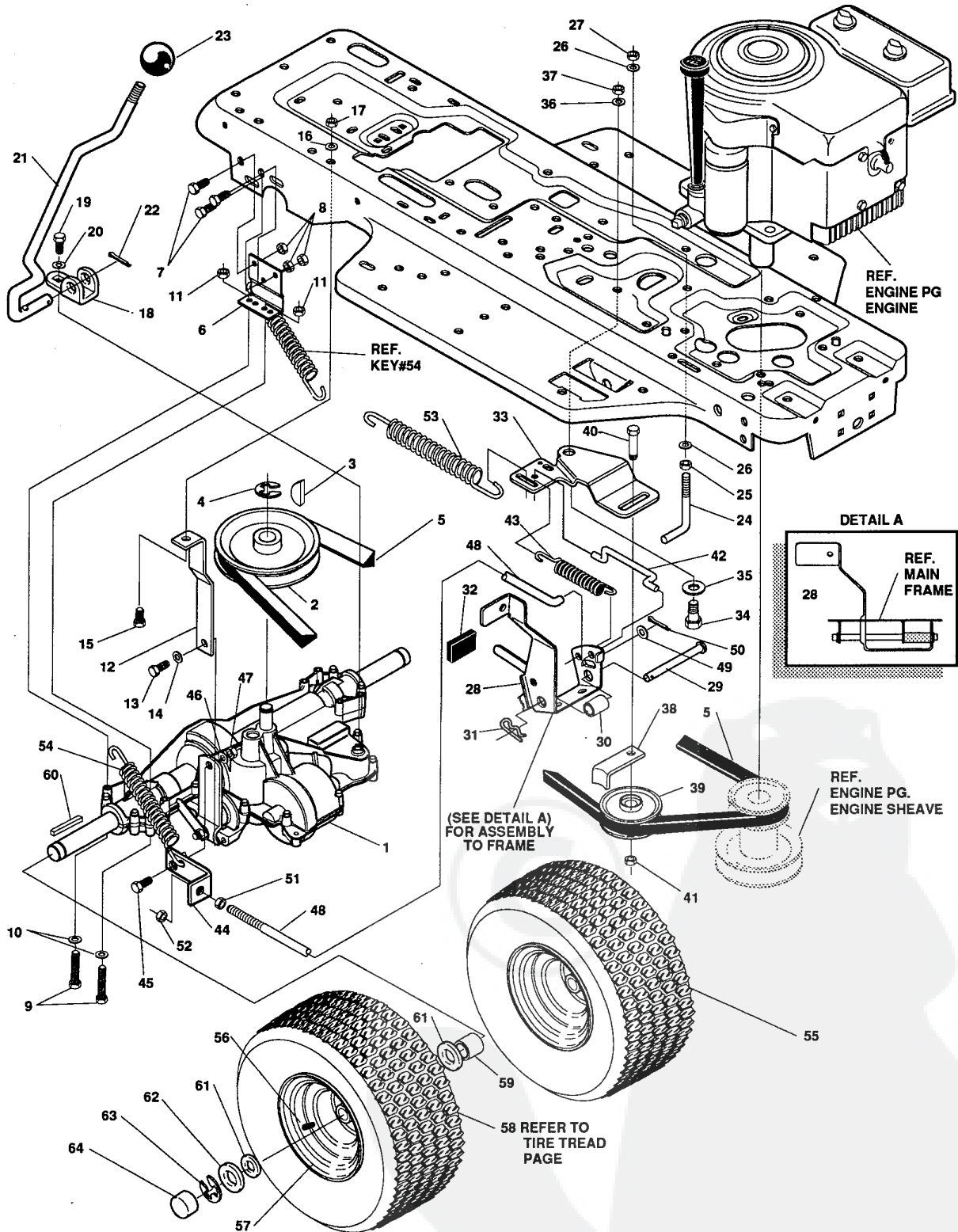
key#	part#	description	qty.
1.	*	FRONT AXLE ASSEMBLY	1
2.	318883-853	AXLE FRONT	1
3.	50546	BEARING FLANGE	4
4.	310368	SPINDLE,RH	1
5.	36625	RING,RETEX	1
6.	310367	SPINDLE,LH	1
7.	49447	ARM,STEERING LH	1
8.	454565	PIN,SPRING	1
9.	302691	TIE ROD	1
10.	• 122145	SCREW, 3/8-16X1.25 HHC	2
11.	120382	WASHER, .393X.68X.10 REGSPTLK	2
12.	• 1499	NUT, 3/8-16 REGHCTRLK	2
13.	304245	SECTOR GEAR	1
14.	44011	BOLT, .750X1.40 SPSH	1
15.	2483	WASHER, .391DX1.25ODX.07	1
16.	39573	SCREW, 3/8-24X1.00 NYL	1
17.	56191	DRAG LINK ASSEMBLY	1
18.	56190	DRAG LINK	1
19.	• 124925	NUT, 3/8-24 REGHEXJAM	2
20.	21275	BALL JOINT	2
21.	• 120382	WASHER, EGSPTLK	2
22.	120369	NUT, 3/8-24 REGHEX	2
23.	314109-930	STEERING SHAFT	1
24.	44009	PINION,STEERING SHAFT	1
25.	454565	PIN,SPRING	1
26.	54902	BEARING,1.370X.50 FLANGE STEERING	1
27.	39492	RING,RETEX 1.27X.05	1
28.	36625	RING,RETEX .57X.05	1
29.	*	ASSEMBLY, TIRE & RIM	2
30.	24167	VALVE STEM	1
31.	39937	WHEEL W/BEARING	1
32.	39979	BEARING, 1.380DX.753ID FLANGE	2
33.		REFER TO TIRE TREAD PAGE	
34.	642	WASHER,FLAT .755X1.31X.075	4
35.	36625	RING,RETEX .57X.05	2
36.	40394	HUB CAP	2

\* Order Individual Parts.

• STANDARD HARDWARE ITEMS

# 39" LAWN TRACTOR MODEL C3912-010

## MOTION DRIVE ASSEMBLY



ALL UNNUMBERED ITEMS ARE INTERCHANGABLE WITH OPPOSITE SIDE

NOTE: ALWAYS USE ORIGINAL EQUIPMENT PARTS. Use of service/replacement parts other than original equipment parts may void your warranty.

320345A

### 39" LAWN TRACTOR MODEL C3912-010

key#	part#	description	qty.
1	~	TRANSAXLE FOOTE 4360-5	1
2	302745	PULLEY,V 4L 6.60 OD	1
3	3021	KEY, WDRF 606 .750X.187X.312	1
4	22053	RING, RETEX .58X.04TRU5100-62	1
5	54758	BELT, V 4L 82.00 SF DRIVE	1
6	7707	BRACKET, TRANSAXLE	2
7	◦ 120228	SCREW, 5/16-18X .63 HHC	6
8	◦ 1498	NUT, 5/16-18 REGHEXCTRLK	6
9	◦ 180112	SCREW, 5/16-18X2.75 HHC	4
10	◦ 120393	WASHER, FLAT .344X .69X.065	4
11	◦ 1498	NUT, 5/16-18 REGHEXCTRLK	4
12	309770-930	BRKT,STABILIZER	1
13	◦ 35498	SCREW, 5/16-18X .75 WAHTAP	1
14	◦ 120638	WASHER, HVSPTLK .328X.60X.09	1
15	◦ 122017	SCREW, 5/16-18X1.00 HHC	1
16	◦ 138485	WASHER, EXLK .320X.61X.03	1
17	◦ 1498	NUT, 5/16-18 REGHEXCTRLK	1
18	57480	BRKT,SHIFT	1
19	◦ 56255	SCREW, 1/4-28X .75 NYLHHC	1
20	◦ 57157	WASHER,.750X.250 SP-TRANSAXLE	1
21	302283	SHIFT LEVER	1
22	137185	PIN, COTTER .125 DIA X1.00LG	1
23	55514	KNOB,SHIFT ROUND 1/2-13	1
24	49896	BELT GUIDE	1
25	◦ 271184	NUT, 5/16-18 HEXKEPS	1
26	◦ 120393	WASHER, FLAT .344X .69X.065 Z	2
27	◦ 1498	NUT, 5/16-18 REGHEXCTRLK	1
28	302603	ASSY,BRAKE PEDAL S.F	1
29	319676	ROD,PIVOT	1
30	302601	SPACER,.53ID X.62DX1.406 SLEEVE	1
31	56180	PIN, HAIR	1
32	48761	PAD,CLUTCH/BRAKE PEDAL	1
33	1306	IDLER ARM BRKT TRACTION	1
34	41890	BOLT, .625X .218 HSH 5/16-18	1
35	◦ 4107	WASHER, FLAT .635X1.31X.07	1
36	◦ 45602	WASHER, FLAT .333X .87X.119	1
37	◦ 1498	NUT, 5/16-18 REGHEXCTRLK	1
38	39659	RETAINER, STRAP BELT	1
39	35374	PULLEY, IDLER V4L 3.06X .62	1
40	45892	BOLT, 3/8-16X1.50 CARR	1
41	◦ 1499	NUT, 3/8-16 REGHXCTRLK	1
42	43980	ROD, .268 DIA CLUTCH	1
43	50562	SPRING,3/8ODX1.625X.055	1
44	54723-930	BRACKET, BRAKE ROD	1
45	20507	BOLT, .437X .156 HSH 5/16-18	1
46	◦ 120393	WASHER, FLAT .344X .69X.065	1
47	◦ 1498	NUT, 5/16-18 REGHEXCTRLK	1
48	310189-930	BRAKE ROD RIDER	1
49	◦ 120393	WASHER, FLAT .344X .69X.065	1
50	121222	PIN, COTTER .090/.086X.75LG	1
51	◦ 271184	NUT, 5/16-18 HEXKEPS	1
52	◦ 1498	NUT, 5/16-18 REGHEXCTRLK	1
53	49276	SPRING,3/4 ODX6.75X.091	1
54	35410	SPRING .071 X .62 X 4.37	1
55	*	TIRE & RIM, PU 18X8-.8.5 TURWHI	2
56	24167	VALVE STEM	1
57	41105	WHEEL&HUB ASSY 9.50X8 WHITE	1
58		REFER TO TIRE TREAD PAGE	
59	57479	SPACER, .75 X 1.25 X 1.32	2
60	52928	KEY, SQUARE .187SQX2.25LG	2
61	◦ 642	WASHER, FLAT .755X1.31X.075	4
62	◦ 42815	WASHER, FLAT .755X1.53X.07	2
63	36625	RING, RETEX .57X.05	2
64	40394	CAP, 1.500ID X 7/8LG HUB	2

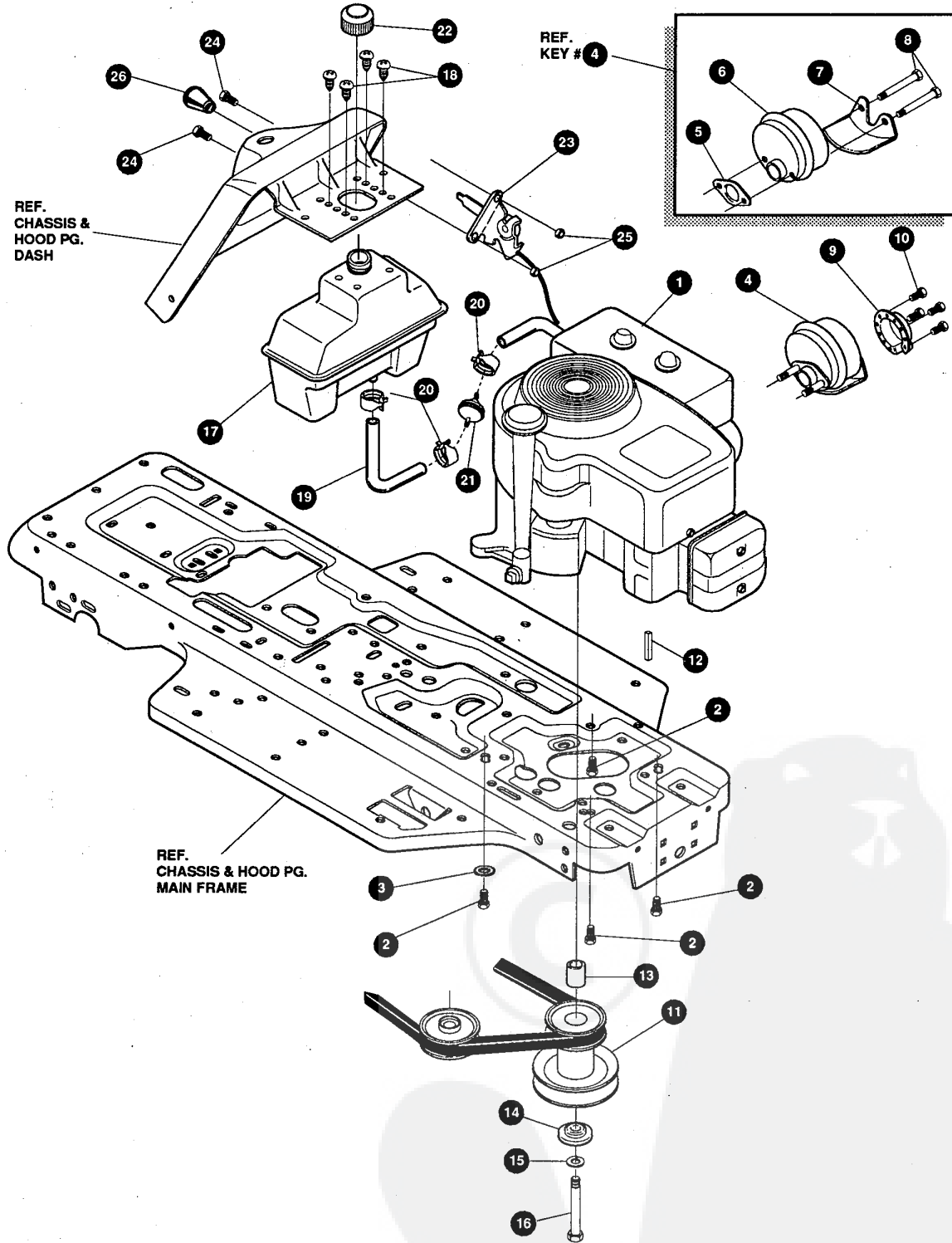
\* Order Individual Parts.

◦ Indicates STANDARD HARDWARE ITEMS.

~ Contact your nearest FOOTE Transaxle dealer for parts and service.

**39" LAWN TRACTOR MODEL C3912-010**

**ENGINE & CONTROL ASSEMBLY**



**NOTE: ALWAYS USE ORIGINAL EQUIPMENT PARTS.** Use of service/replacement parts other than original equipment parts may void your warranty.

**ALL UNNUMBERED ITEMS ARE INTERCHANGABLE WITH OPPOSITE SIDE**

322516B

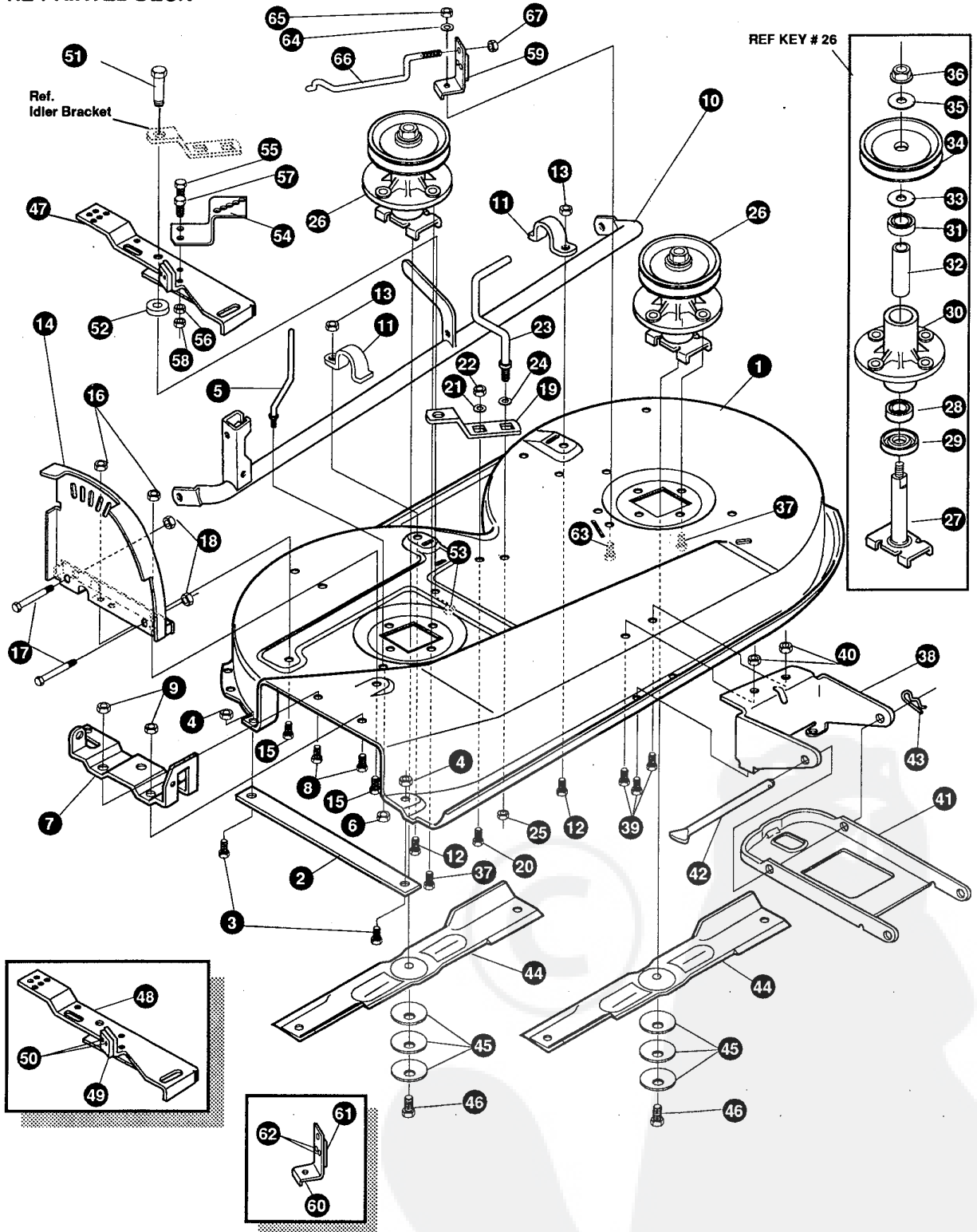
### 39" LAWN TRACTOR MODEL C3912-010

key#	part#	description	qty.
1		ENGINE TEC (SEE ENGINE MANUAL)	1
2	• 50947	SCREW, 3/8-16X1.25 WAHHTAP	4
3	138489	WASHER, EXLK .384X.69X.04	1
4	57776	MUFFLER ASSY	1
5	46708	GASKET, MUFFLER	1
6	54766	MUFFLER, ROUND DOMESTIC USE	1
7	54767	SHIELD, HEAT	1
8	• 173063	SCREW, 5/16-18X3.50 HHC	2
9	323423	DEFLECTOR SIDE OUT	1
10	• 35287	SCREW, 8-32X.38 HHWATAP	3
11	310250	PULLEY, ENGINE	1
12	303151	KEY, SQUARE .249SQX4.50LG	1
13	304246	SPACER, 1,01X1.484 ENGINE PULLEY	1
14	56431	WASHER, .98IDX1.38ODX.437 PILOT	1
15	120383	WASHER, REGSPTLK.459X.78X.12	1
16	• 433146	SCREW, 7/16-20X4.25 HHC	1
17	314989	TANK, FUEL 1 GALLON	1
18	• 49050	SCREW, 1/4-10X .75PHPNTAP	4
19	47452	GAS LINE .25ID BULK LENGTH	9"
20	48672	CLAMP, GAS LINE (1/2 DIA HOSE)	3
21	56679	FUEL FILTER	1
22	46704	GAS CAP	1
23	320031	THROTTLE CONTROL	1
24	• 35291	SCREW, 10-24X .50 SLHHMA	2
25	• 271166	NUT, #10-24 HEXKEPS	2
26	50607	KNOB,ROUND THROTTLE	1

• Indicates STANDARD HARDWARE ITEMS.

# 39" LAWN TRACTOR MODEL C3912-010

## PRE-PAINTED DECK



**NOTE: ALWAYS USE ORIGINAL EQUIPMENT PARTS.** Use of service/replacement parts other than original equipment parts may void your warranty.

**ALL UNNUMBERED ITEMS ARE INTERCHANGABLE WITH OPPOSITE SIDE**

318888B

### 39" LAWN TRACTOR MODEL C3912-010

key#	part#	description	qty.
1.	315610-853	DECK,MOWER 39"SD	1
2.	57314	BAR, SKID	1
3.	126216	BOLT, 5/16-18X .75 CARR	2
4.	• 271184	NUT, 5/16-18 HEXKEPS	2
5.	57318	GUIDE, BELT 5/16-18 THD	1
6.	• 1498	NUT, 5/16-18 REGHEXCTRLK	1
7.	57360	BRACKET, CHUTE	1
8.	• 120834	SCREW, 5/16-18X .50 HHC	2
9.	• 1498	NUT, 5/16-18 REGHEXCTRLK	2
10.	308641	TUBE, ASSY TORQUE	1
11.	51985	SUPPORT,PIVOT TUBE	2
12.	• 120228	SCREW, 5/16-18X .63 HHC	2
13.	• 1498	NUT, 5/16-18 REGHEXCTRLK	2
14.	308195	QUADRANT,HEIGHT ADJ.,DECK LIFT	1
15.	• 120228	SCREW, 5/16-18X .63 HHC	2
16.	• 1498	NUT, 5/16-18 REGHEXCTRLK	2
17.	• 122040	SCREW, 5/16-18X1.50 HHC	2
18.	• 1498	NUT, 5/16-18 REGHEXCTRLK	2
19.	300179	BRACKET, IDLER SUPPORT	1
20.	• 180077	SCREW, 5/16-18X .75 HHC	1
21.	120393	WASHER, FLAT .344X .69X.065	1
22.	• 44108	NUT, 5/16-18 HWDFLCTRLK	1
23.	314935	GUIDE, BELT 5/16-18THD	1
24.	120393	WASHER, FLAT .344X .69X.065	1
25.	• 44108	NUT, 5/16-18 HWDFLCTRLK	1
26.	56424	QUILL ASSY, 36/39/40/43	2
27.	56425	SHAFT/SADDLE 36"	1
28.	49562	BRNG, BALL .669IDX1.575ODX.472	1
29.	50616	DUST SHIELD	1
30.	55547	QUILL CASTING (1046)	1
31.	49562	BRNG, BALL .669IDX1.575ODX.472	1
32.	50818	SPACER, SLEV .669X .88X3.797	1
33.	51449	SPACER, SLEV .672X .93X .438	1
34.	56390	PULLEY,26/36" QUILL V5L	1
35.	56365	WASHER, SPECIAL QUILL	1
36.	• 1282	NUT, 7/16-20 WDFLLK	1
37.	• 50634	SCREW, 5/16-18X .88 WAHTAP	8
38.	320070	BRKT, FRONT DECK	1
39.	• 120228	SCREW, 5/16-18X .63 HHC	4
40.	• 1498	NUT, 5/16-18 REGHEXCTRLK	4
41.	320069	DRAWBAR, DECK	1
42.	58306	ROD, DECK HITCH	1
43.	8260	PIN, HAIR .091 DIA X1.66LG	1
44.	58190	BLADE, 19.69 HI-LIFT	2
45.	2483	WASHER,.39IDX1.25DX.07 BELLVIL	6
46.	• 39573	SCREW, 3/8-24X1.00 NYLHHC	2
47.	300491	BRACKET, IDLER ARM/BRAKE	1
48.	300490	IDLER ARM BLK 853	1
49.	306973	BRAKE PAD - HARD	1
50.	41601	RIVET, OVSET .187DIA X .50LG S	2
51.	300180	BOLT, .50 X1.88 HSSH 3/8-16	1
52.	996416	WASHER, FLAT .391X1.00X.125	2
53.	• 45171	NUT, 3/8-16 HWDFL WHIZ-LOCK	1
54.	314186	BRACKET, IDLER	1
55.	• 120228	SCREW, 5/16-18X .63 HHC	1
56.	• 1498	NUT, 5/16-18 REGHEXCTRLK	1
57.	• 120854	SCREW, 1/4-20X .63 HHC	1
58.	• 1502	NUT, 1/4-20 REGHEXCTRLK	1
59.	303247	ASSY.BLADE BRAKE 36,39,45	1
60.	303246	BRAKE ARM	1
61.	306973	BRAKE PAD - HARD	1
62.	135624	RIVET, TRSET .185DIA X .41LG ST	2
63.	• 120228	SCREW, 5/16-18X .63 HHC	1
64.	120393	WASHER, FLAT .344X .69X.065	1
65.	• 1498	NUT, 5/16-18 REGHEXCTRLK	1
66.	300316	ROD, BRAKE RELEASE 14.7 39DECK	1
67.	• 1502	NUT, 1/4-20 REGHEXCTRLK	1

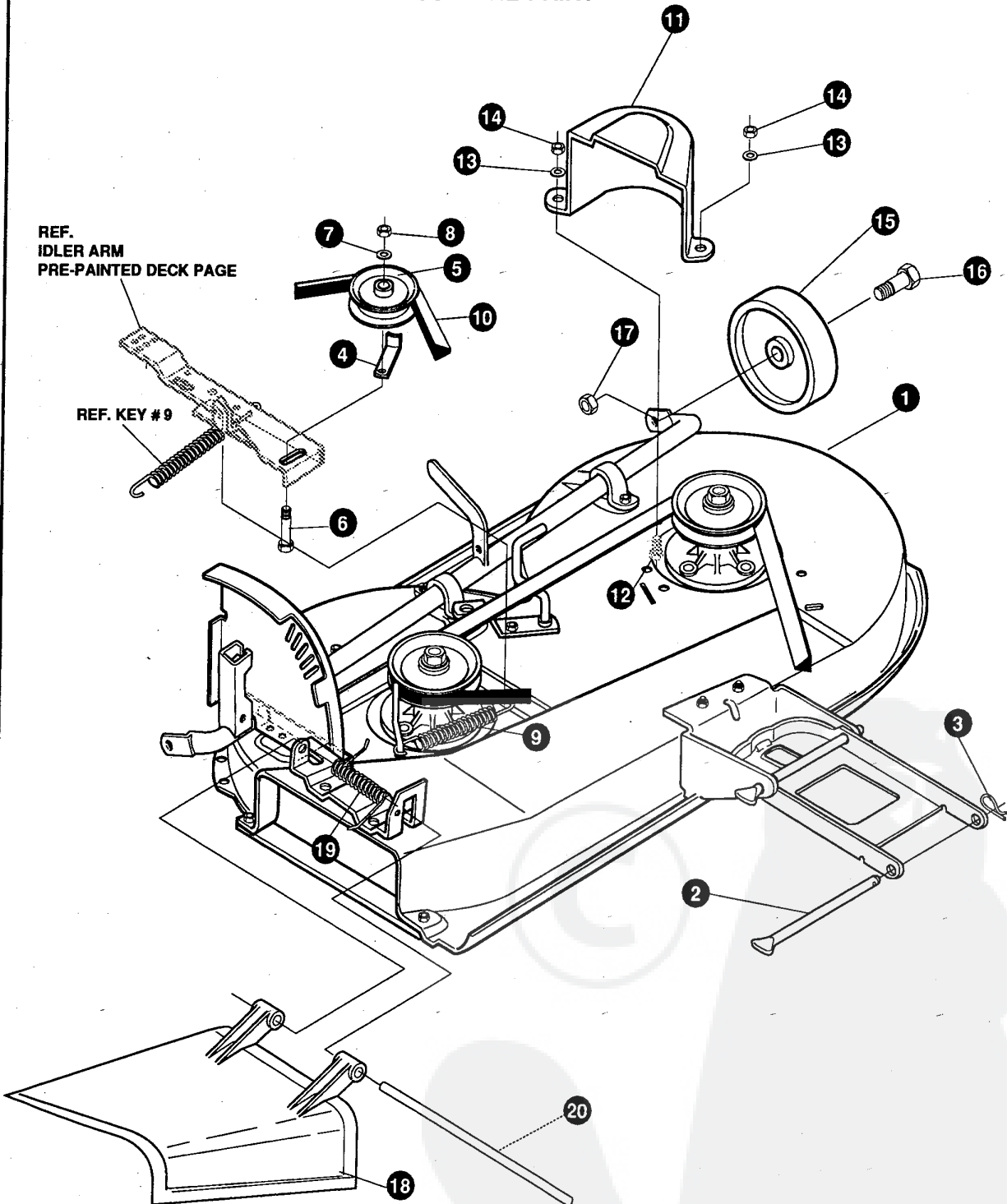
• STANDARD HARDWARE ITEMS.



**39" LAWN TRACTOR MODEL C3912-010**

**FINAL DECK ASSEMBLY**

**REF. 318888  
DECK ASSY. PRE-PAINT**



**NOTE: ALWAYS USE ORIGINAL EQUIPMENT PARTS.**  
Use of service/replacement parts other than original equipment parts may void your warranty.

**ALL UNNUMBERED  
ITEMS ARE INTERCHANGABLE  
WITH OPPOSITE SIDE**

319435B

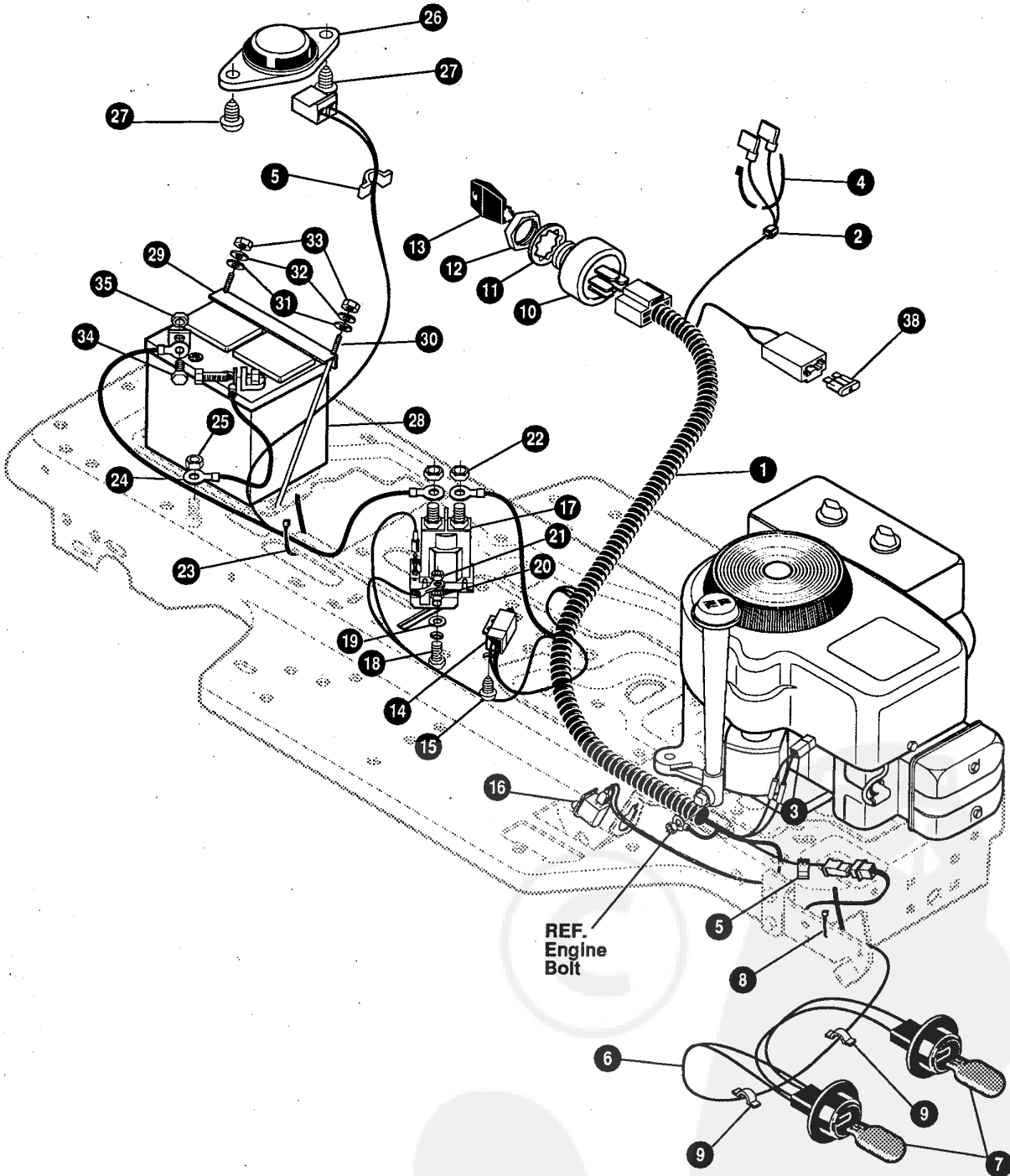
### 39" LAWN TRACTOR MODEL C3912-010

key#	part#	description	qty.
1.	*	DECK, 38SDGS 2WH ASSY DOM	1
2.	58306	ROD DECK HITCH	1
3.	8260	PIN, HAIR .091 DIAX1.66LG	1
4.	1346	BELT RETAINER 2.55 OD	1
5.	310326	PULLEY, IDLER	1
6.	57325	BOLT, 3/8-16X2.00 CARR	1
7.	120382	WASHER, REGSPTLK.393X.68X.10	1
8.	• 120377	NUT, 3/8-16 REGHX	1
9.	322064	SPRING .75X8.4X.105	1
10.	300680	BELT, V 5L 77.75 KEVLAR	1
11.	302833	GUARD, BELT LH PLASTIC	1
12.	• 120228	SCREW, 5/16-18X .63 HHC	3
13.	• 120393	WASHER, FLAT .344X .69X.065	3
14.	• 1498	NUT, 5/16-18 REGHEXCTRLK	3
15.	302611	WHEEL, SD 6.00ODX1.38WD	2
16.	23763	BOLT, .500X1.390 HHSH 3/8-16	2
17.	• 1499	NUT, 3/8-16 REGHXCTRLK	2
18.	57818	CHUTE	1
19.	314975	SPRING TORSION	1
20.	57317	PIVOT ROD,CHUTE	1

\* ORDER INDIVIDUAL PARTS.  
 • STANDARD HARDWARE ITEMS

# 39" LAWN TRACTOR MODEL C3912-010

## ELECTRICAL ASSEMBLY



**NOTE: ALWAYS USE ORIGINAL EQUIPMENT PARTS.**  
Use of service/replacement parts other than original equipment parts may void your warranty.

**ALL UNNUMBERED  
ITEMS ARE INTERCHANGABLE  
WITH OPPOSITE SIDE**

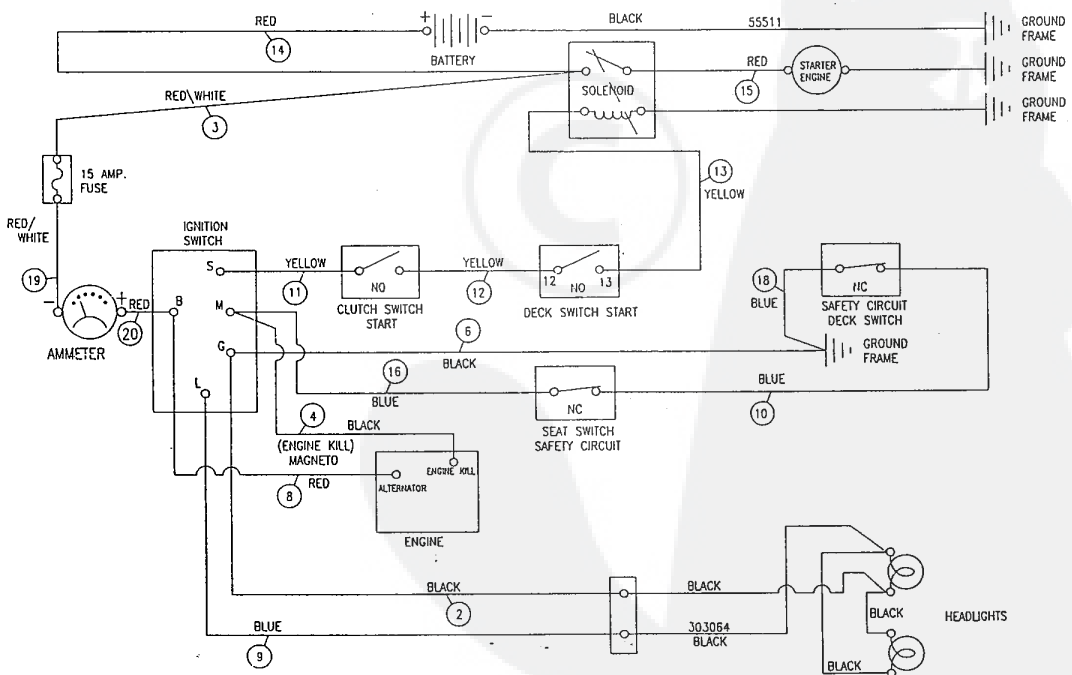
321163A

### 39" LAWN TRACTOR MODEL C3912-010

key#	part#	description	qty.
1.	322087	WIRE HARNESS SF 8-12B&S	1
2.	322298	SPLICER	1
3.	322295	JUMPER B&S TO TECUMSEH	1
4.	57444	CABLE TIE	1
5.	41482	PRESS CLIP,1.380LG .255ID	2
6.	303064	ASSY,LIGHT WIRE-1/4 TURN	1
7.	52572	BULB, HEADLAMP	2
8.	57444	TIE, CABLE BLACK NYLON 5.62L	1
9.	41482	PRESS CLIP,1.380LG .255ID	2
10.	300687	SWITCH, IGNITION & LIGHTS	1
11.	138557	WASHER, REGINTLK.640X1.1X.05	1
12.	• 48140	NUT, 5/8-32 HXHD IGN SWIT	1
13.	49643	2 KEYS & RING, ASSY BLANK	1
14.	57476	SWITCH,SCR MNT DP NC NO BLK	1
15.	• 57220	SCREW, #12 X .50 PHPNHTAP BLK	2
16.	300220	SWITCH,SNAPMNT NO .055/.116BLK	1
17.	53716	SOLENOID	1
18.	• 187745	SCREW, 1/4-20X .75 HXSEMMA	2
19.	1084	WASHER,FLAT .281X1.00X.063	1
20.	• 1502	NUT, 1/4-20 REGHEXCTRLK	2
21.	• 271172	NUT, 1/4-20 REGHEXKEPS	1
22.	• 271187	NUT, 5/16-24 HKEPS	2
23.	57444	TIE, CABLE BLACK NYLON 5.62L	1
24.	55511	WIRE, GROUND, 12.5"	1
25.	• 271184	NUT, 5/16-18 HEXKEPS	1
26.	57547	SWITCH, SEAT	1
27.	• 160505	SCREW, 1/4-20X .38PHPNHMAGR2	2
28.	57486	BATTERY, YUASA 12V 5-PLATE	1
29.	56360	BATTERY BRACKET	1
30.	40234	BATTERY ROD	2
31.	120392	WASHER, FLAT .281X .63X.065	2
32.	120380	WASHER, REGSPTLK.263X.49X.07	2
33.	• 120375	NUT, 1/4-20 REGHEX	2
34.	• 120854	SCREW, 1/4-20X .63 HHC	2
35.	• 271172	NUT, 1/4-20 REGHEXKEPS	2
36.	••302031	FUSE, 15 AMP SPAPE TYPE	1

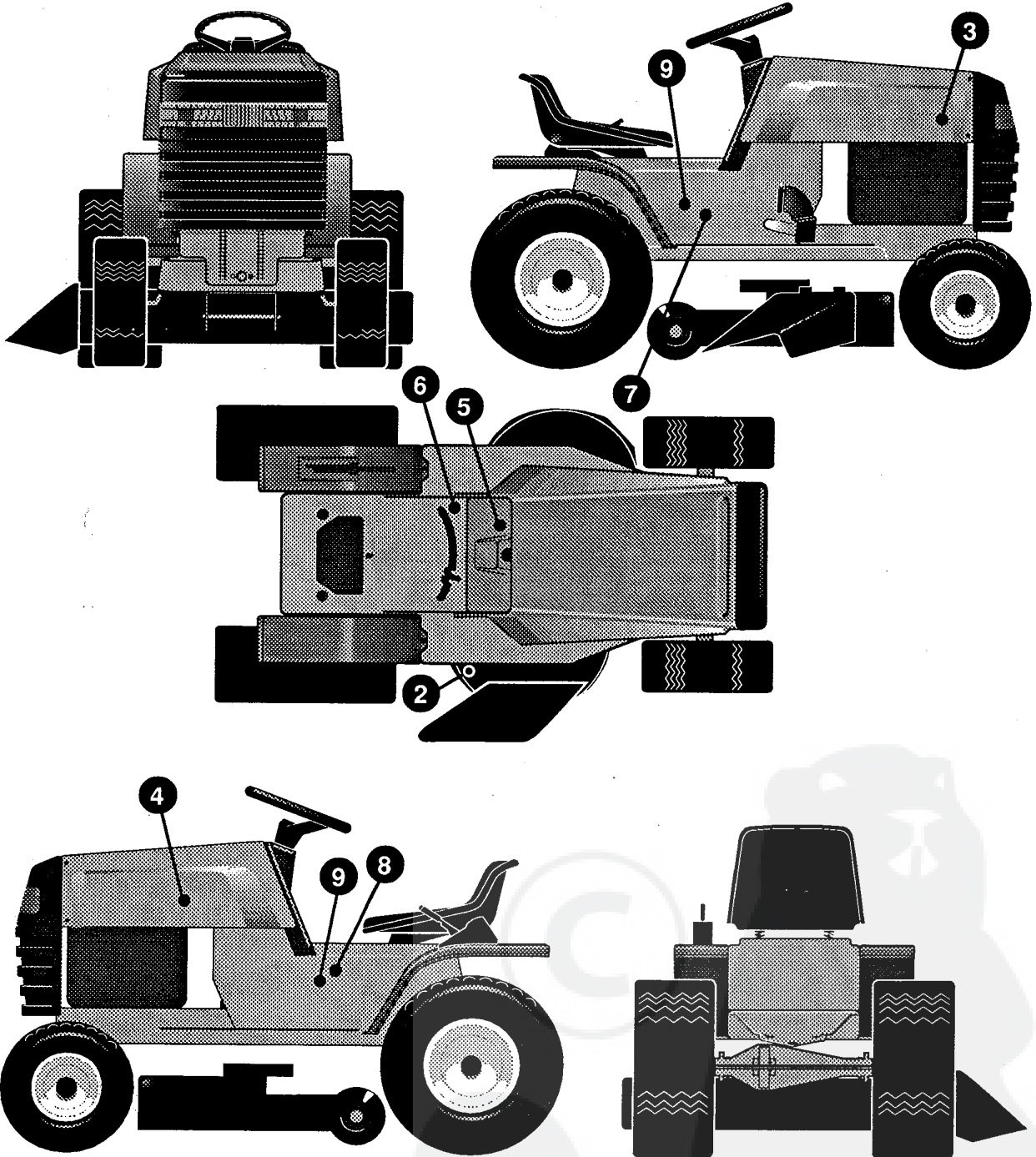
• INDICATES STANDARD HARDWARE ITEMS  
 ••Spade type fuse included with the wire harness.

### SCHEMATIC DRAWING



39" LAWN TRACTOR MODEL C3912-010

DECALS



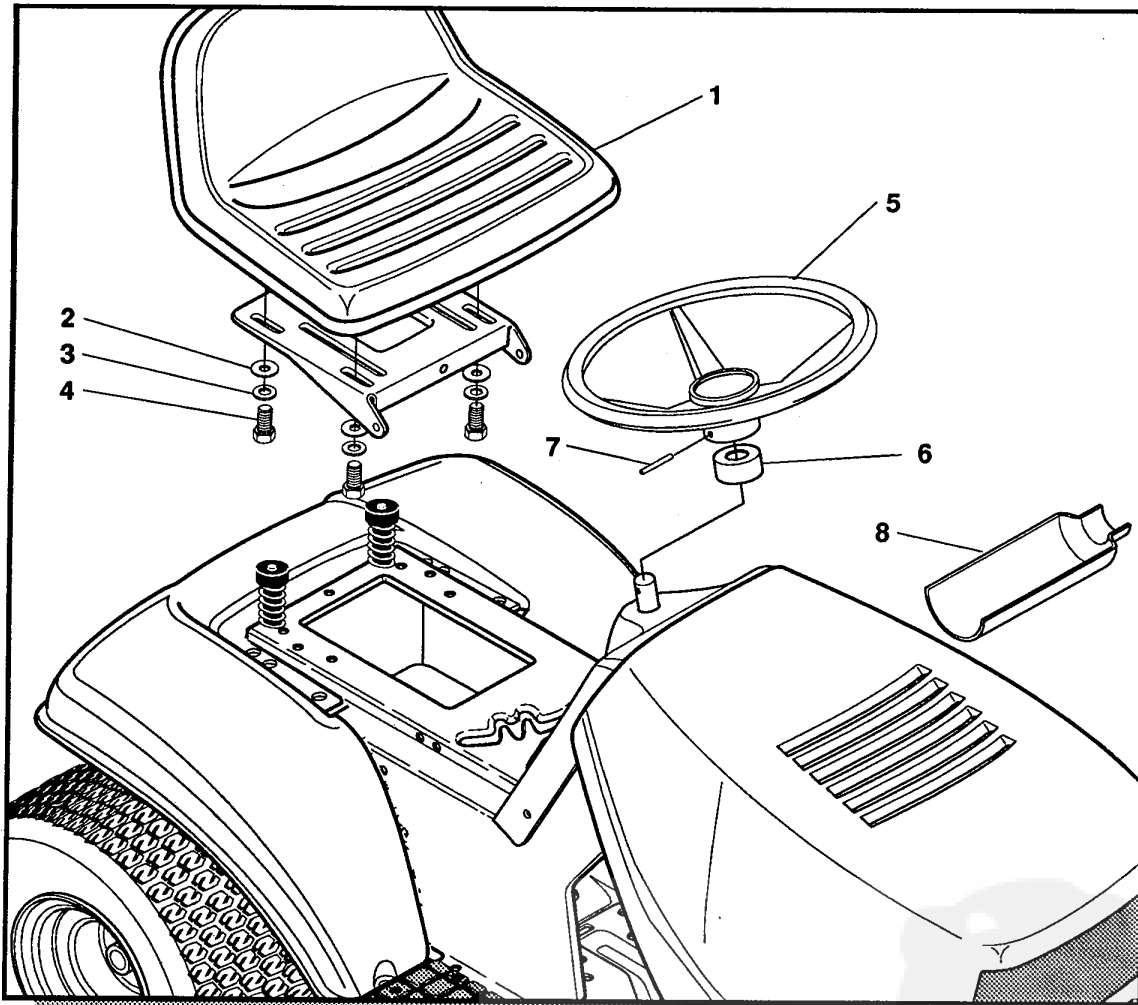
321164A

### 39" LAWN TRACTOR MODEL C3912-010

key#	part#	description	qty.
1.		REFERENCE ONLY	1
2.	311226	DECAL HEIGHT ADJUSTMENT	1
3.	314456	DECAL,HOODSIDE RH	1
4.	314457	DECAL,HOODSIDE LH	1
5.	320685	DECAL,DASH	1
6.	322761	DECAL,CONSOLE 4360/930 5-SP	1
7.	314460	DECAL,CONSOLE RH STRETCH FRM	1
8.	314461	DECAL,CONSOLE LH STRETCH FRM	1
9.	300442	NAMEPLATE,12/39	2
10.		REFERENCE ONLY	1

39" LAWN TRACTOR MODEL C3912-010

CUSTOMER ASSEMBLY



**CUSTOMER ASSEMBLY VIEW**

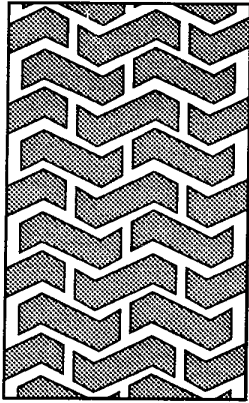
315984 PARTS BAG ASSY QTY1

key#	part#	decription	qty
1	57452	SEAT MV-350	1
2	120393	WASHER, FLAT .344X.69X.065	4
3	120638	WASHER, HVSPLTLK .328X.60X.109	4
4	122007	SCREW, 5/16-18X.75 HHC	4
5	301251	STEERING WHEEL	1
6	323758	STEERING SLEEVE	1
7	456378	ROLL PIN .250DIA X 2.0LG	1
8	54873	OIL TROUGH	1

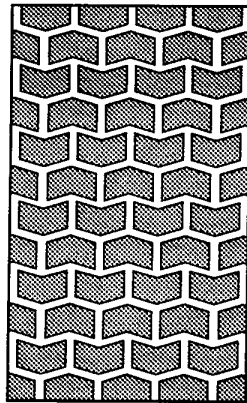
316235B



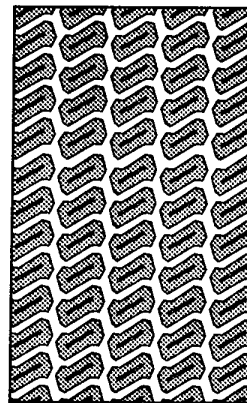
# TREAD PATTERNS



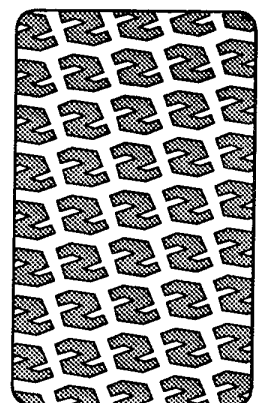
**"A"**



**"B"**



**"C"**



**"D"**

TIRE SIZE	"A"	"B"	"C"	"D"
11 X 4.00 - 5	42295	319679		
13 X 5.00 - 6	41060	319680		
15 X 6.00 - 6	39830	316702	301140	313952
16 X 6.50 - 8	41081	319682		314539
18 X 8.50 - 8	319683	317400		
18 X 9.50 - 8	41106	316701		313950
20 X 8.00 - 8	319685	319684	57164	314584
20 X 10.00 - 8	58276	319686		313654
20 X 10.00 - 10	55893	319687		
23 X 9.50 - 12	53655	319690	319689	314370

## ACCESSORIES

Contact the dealer where your tractor was purchased for the available accessories. If you are unable to contact the dealer, write to the address on the front cover of this manual.

### Rear Engine Rider

Model	Description
5708-16	Bagger - Fits 32" Side Discharge
5708-17	Bagger - Fits 36" Side Discharge
5709-02	Front Weight Box - holds 35 lbs.
5648-16	Lawn Sweeper w/dump Release

Model	Description	Lawn Tractor
5708-22	Bagger - Fits 30" Side Discharge	
5708-13	Bagger - Fits 36", 38", 39' & 45" Side Discharge	
5705-04	36" Two-Stage Snowblower - Fits 36", 38", 39", & 45" Side Discharge	
5661-06	42" Snowblade - Fits 36", 38", 39", & 45"	
5592-00	Tire Chains - 18" x 6.50"	
5585-00	Tire Chains - 18" x 9.50" & 20" x 8"	
5672-01	Wheel Weights - Front - 1 pr. w/mtg. hdw. - Fits 15" tires	
5673-02	Wheel Weights - Rear - 1 pr. w/mtg. hdw. - Fits 18" & 20" tires	
5709-03	Front Weights - Fits 30" & 32" Side Discharge	
5648-16	Lawn Sweeper w/dump Release	

### Garden Tractor - Light Ground Engaging

Model	Description
5708-13	Bagger - Fits 36", 38", 39", & 45" Side Discharge
5705-04	36" Two - Stage Snowblower - Fits 36", 38", 39", & 45"
5661-06	42" Snowblade - Fits 36", 38", 39", & 45"
5672-01	Wheel Weights - Front 1 pr. w/mtg. hdw. - Fits 15" tires
5673-02	Wheel Weights - Rear - 1 pr. w/mtg. hdw. - Fits 18" & 20" tires
5648-16	Lawn Sweeper w/dump Release
5667-02	Sleeve Hitch - w/lift bar - Fits 45"
5668-01	Adaptor (sleeve hitch) for use w/23" tires
5706-00	Tire Chains - 20" x 10"
5671-00	Tire Chains - 23" x 9.50"
5672-02	Wheel Weights - Front - 1 pr. w/mtg. hdw. Fits 16" tires
5673-00	Wheel Weights - Rear - 1 pr. w/mtg. hdw. Fits 23" tires
5674-01*	10" One Bottom Moldboard Plow
5675-01*	Cultivator - 7 row - Adj. 6" - 42" width
5676-01*	Disc Harrow - 8" & 11" disc - Adj. width & disc angle
5677-02*	Tiller - 5 H.P. Self-Powered - 28" width

### Four Wheel Steer

Model	Description
5708-14	Bagger - Fits 40" & 46" Side Discharge
5705-05	42" One-Stage Snowblower - Fits 40" & 46"
5661-07	48" Snowblade - Fits 40" & 46"
5709-04	Rear Weight Box for 40" & 46"
5648-16	Lawn Sweeper w/dump Release
5706-00	Tire Chains 20" x 10"
5671-00	Tire Chains 23" x 9.50"
5672-02	Wheel Weights - Front - 1 pr. w/mtg. hdw. Fits 16" tires
5673-00	Wheel Weights - Rear - 1 pr. w/mtg. hdw. Fits 23" tires
5672-01	Wheel Weights - Front - 1 pr. w/mtg. hdw. Fits 15" tires
5673-02	Wheel Weights - Rear - 1 pr. w/mtg. hdw. Fits 18' & 20" tires

### Two Wheel Steer Garden Tractor

Model	Description
5667-04	Sleeve Hitch - w/lift bar Fits 46"
5674-01*	10" One Bottom Moldboard Plow
5675-01*	Cultivator - 7 row - Adj. 6" - 42" width
5676-01*	Disc Harrow 8" & 11" Disc. Adj. width & disc angle
5677-02*	Tiller 5 H.P. Self-Powered - 28" width
5648-16	Lawn Sweeper w/dump Release

\*Requires a sleeve hitch

**CONTACT ANY OF THE FOLLOWING DISTRIBUTORS: Parts for: HOMKO - LAWN SCOUT - AMF - TURFMASTER - DYNAMARK - or any other CANADIANA, WESTERN INTERNATIONAL INCORPORATED or NOMA OUTDOOR PRODUCTS INCORPORATED product.**

**ALABAMA**  
Automotive Elect. Serv.  
415-419 Meridian St.  
Huntsville, AL 35801  
(205) 539-2131  
AL WATS 800-421-1392  
\*b,c,f,g,h

**CALIFORNIA**  
Billiou's  
1343 S. Main  
Porterville, CA 93257  
(209) 784-4102  
CA WATS 800-228-7286  
WATS 800-245-5468  
FAX (209) 784-4108  
(auto)  
\*b,c,e,f,g,h

**COLORADO**  
Spitzer Ind. Prod.  
6601 N Washington  
Thornton, CO 80229  
(303) 287-3414  
FAX (303) 287-0549  
(auto)  
\*b,c,e,f,g,h

**FLORIDA**  
G.L.O. Products Inc.  
13201 S. Belcher Rd.  
Largo, FL 33643  
(813) 530-9723  
FL WATS 800-225-5456  
FAX (813) 539-8603  
(auto)  
\*c,e,h

Radco Distributors Inc.  
4909 Victor St., Box 5459  
Jacksonville, FL 32207-0459  
(904) 733-7957  
FL WATS 800-727-8701  
FAX (904) 737-9575  
(auto)  
\*b,c,e,g,h

**ILLINOIS**  
Garmoe Distr. Inc.  
2620 N Mannheim Road  
Franklin Park, IL 60131  
(708) 455-3588  
FAX (708) 455-6069  
(auto)  
\*b,c,e,f,g

**INDIANA**  
Thompson Sales & Service  
2400 W. Ridge Road  
Gary, IN 46408  
(219) 980-3282  
FAX (219) 980-3283  
IN WATS 800-234-1470  
\*c,f,g,h

**IOWA**  
Bruce Engine  
1829 N.W. 86th  
Des Moines, IA 50325  
(515) 278-5151  
WATS 800-747-1829  
\*b,c,e,f,g,h

**KENTUCKY**  
Auto-Electric  
715 W. Hwy 80, Box 671  
Somerset, KY 42501  
(606) 679-1171  
FAX (606) 679-1172  
\*c,e,f,g,h

Cayce Mill Supply Co.  
505 E 1st St.  
Hopkinsville, KY 42240  
(502) 886-3335  
FAX (502) 886-5117  
KY WATS 800-242-5296  
WATS 800-338-6054  
\*b,c,f,g,h

**MAINE**  
Automatic Dist. Inc.  
22 Target Industrial Cir.  
Bangor, ME 04401  
(207) 942-6769  
FAX (207) 941-0247  
ME WATS 800-423-2238  
WATS 800-341-1658

**MARYLAND**  
Center Supply Company  
6802 Industrial Dr. #208  
Beltsville, MD 20705  
(301) 595-0860  
FAX (301) 595-0783  
\*b,c,e,f,g

Kunkel Service Company  
6252 Frankford Ave  
Baltimore, MD 21206  
(301) 377-4008  
WATS 800-627-3379  
FAX (301) 325-1314  
\*b,c,e,f,g,h

**MICHIGAN**  
Air Cooled Engine Div.  
1116 26th Ave.  
Menominee, MI 49858  
(906) 863-6332  
WATS 800-334-9535  
FAX (906) 863-1204  
\*c,e,f,g,h

**MINNESOTA**  
Hance Distr.  
12795 16th Ave. N.  
Plymouth, MN 55441  
(612) 559-2299  
FAX (612) 559-2365  
(auto)  
\*b,c,e,f,g,h

**MISSOURI**  
Gunther's Serv. & Supply  
7320 Wornall Road  
Kansas City, MO 64114  
(816) 523-1952  
\*a,d,e,f,g,h

Wilson Engine & Parts  
Inc.  
4159 Shoreline Drive  
Earth City, MO 63045  
(314) 739-1313  
WATS 800-873-6722  
FAX (314) 739-8767  
(auto)  
\*b,d,e,f,g,h

**NEW JERSEY**  
Power Distributors, Inc.  
71 Northfield Ave.  
Edison, NJ 08837  
(201) 225-4922  
FAX (201) 225-2726  
\*i

**NEW YORK**  
Loegler & Ladd Inc.  
3950 Broadway, Box 214  
Buffalo, NY 14225  
(716) 684-0600  
\*c,e

Stiefvater Dist.  
Clinton Road, Route 12B  
New Hartford, NY 13413  
(315) 853-5581  
FAX (315) 853-5147  
NY WATS 800-643-1330  
DLR ONLY  
\*c,e,f,g,h

**NORTH CAROLINA**  
Dixie Sales Co. Inc.  
Box 1408  
Greensboro, NC 27402  
(919) 375-7500  
WATS 800-753-4943  
FAX (919) 274-2758  
\*b,e,f,g,h

**OHIO**  
American Power Distr.  
2430 Tremainsville Rd.  
Box 5815  
Toledo, OH 43613  
(419) 475-7261  
FAX (419) 475-4815 (auto  
after 5.00 pm)  
\*b,d,e,f,g,h

Gardner, Inc.  
1150 Chesapeake Ave.  
Columbus, OH 43212  
(614) 488-7951  
WATS 800-848-8946  
\*a,b,d,e,g,h

**OKLAHOMA**  
Original Equipment Inc.  
9550 A East 55th Place  
Tulsa, OK 74146  
(918) 664-4992  
WATS 800-645-2031  
\*a,c,e,f,i

**PENNSYLVANIA**  
Bluemont Co.  
11101 Frankstown Road  
Pittsburgh, PA 15235  
(412) 242-1622  
WATS 800-344-1200  
FAX (412) 243-5673  
(auto)  
\*b,c,e,f,g,h

**SOUTH CAROLINA**  
Magneto & Electric  
Service  
103 Assembly St.  
Columbia, SC 29201  
(803) 771-4044  
SC WATS 800-922-1118  
WATS 800-334-4832  
FAX (803) 256-2727  
\*b,c,e,f,g,h

**TENNESSEE**  
Chilton A/C Engine  
319 4th Ave. S.,  
Box 150806  
Nashville, TN 37201  
(615) 254-1634  
FAX (615) 242-6618  
WATS 800-621-6934  
\*b,c,e,f,g,h

Ace Dist.  
2103 E. Magnolia Ave.  
Box 3577  
Knoxville, TN 37917  
(615) 524-5359  
FAX (615) 524-8263  
TN WATS 800-332-9904  
WATS 800-343-2403  
\*b,c,e,f,g,h

Meadart Engine of  
Memphis  
4365 Old Lamar  
Memphis, TN 38118  
(901) 795-4365  
WATS 800-338-9379  
(OS)  
\*c,e,g,h

**TEXAS**  
Marr Bros. Inc.  
423 E. Jefferson  
Dallas, TX 75203  
(214) 948-7387  
FAX (214) 946-6259  
(auto)  
\*a,d,e,f,g,h

Midland Small Engine  
Sales  
106 Carlton, Box 4215  
Midland, TX 79704  
(915) 684-5553  
\*b,d,e,f,g,h

**VIRGINIA**  
Norva Small Engines  
7941 Wellingford Dr.  
Manassas, VA 22110  
(703) 369-3387  
FAX (703) 369-9788  
WATS 800-444-9390  
\*c,e,f,g,h

RBI Corporation  
101 Cedar Ridge Rd.  
Richmond, VA 23227  
(804) 550-2210  
FAX (804) 550-2386  
WATS 800-825-8530  
\*b,c,f,g,h

**WASHINGTON**  
Pacific A/C Engine  
4111 Airport Way S.  
Seattle, WA 98108  
(206) 623-6906  
FAX (206) 622-1736  
c,e,f,h

**WISCONSIN**  
Praefke A/C Engine  
4050 N. 128th St  
Brookfield, WI 53005  
(414) 781-7010  
FAX (414) 781-9546  
\*c,e,f,g,h

Wiggert Parts Ctr.  
219 South, 3rd Street  
La Crosse, WI 54602  
(608) 784-4715  
FAX (608) 784-4736  
\*c,e,f,g,h

**CANADA**  
Noma Outdoor Prod., Inc.  
155 Orenda Rd.  
Brampton, Ontario L6W  
1W3  
(416) 457-1433  
\*i

Rev. 11/19/91

**(\*) General Information Codes:**  
(a) Advance Payment Required  
(b) Accepts Credit Cards  
(c) C.O.D. okay  
(d) No C.O.D.  
(e) Accessories Available  
(f) Briggs & Stratton dealer or distributor  
(g) Tecumseh/Peerless dealer or distributor  
(h) Foote dealer or distributor  
(i) Dealer sales only, contact for closest dealer.