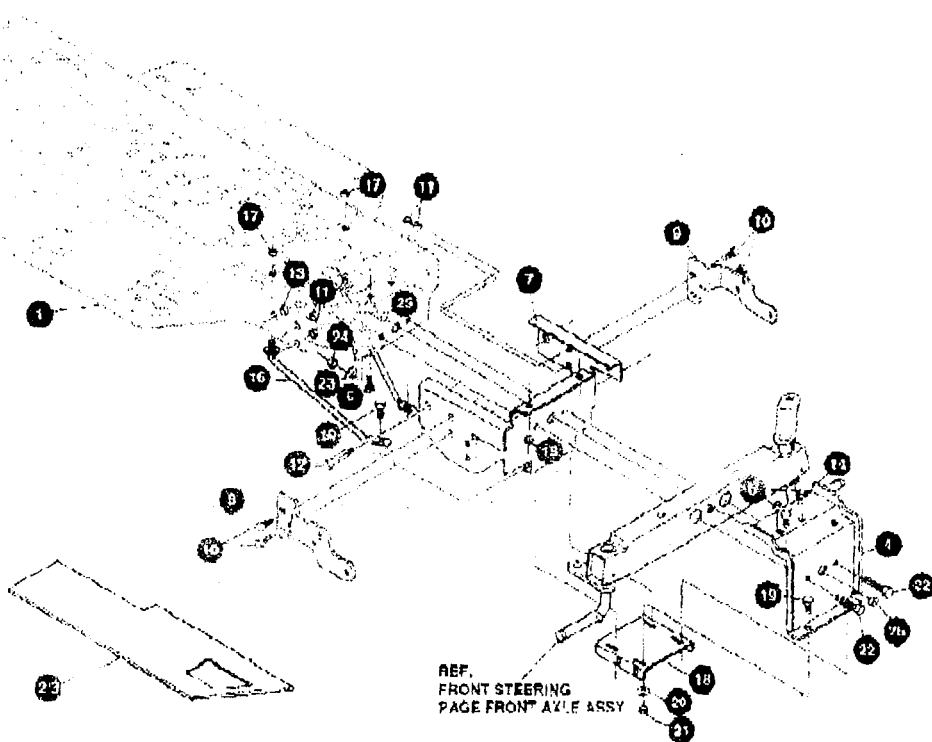


# 43" LAWN TRACTOR MODEL D3554-270

## CHASSIS & HOOD ASSEMBLY



REF.  
FRONT STEERING  
PAGE FRONT AXLE ASSY

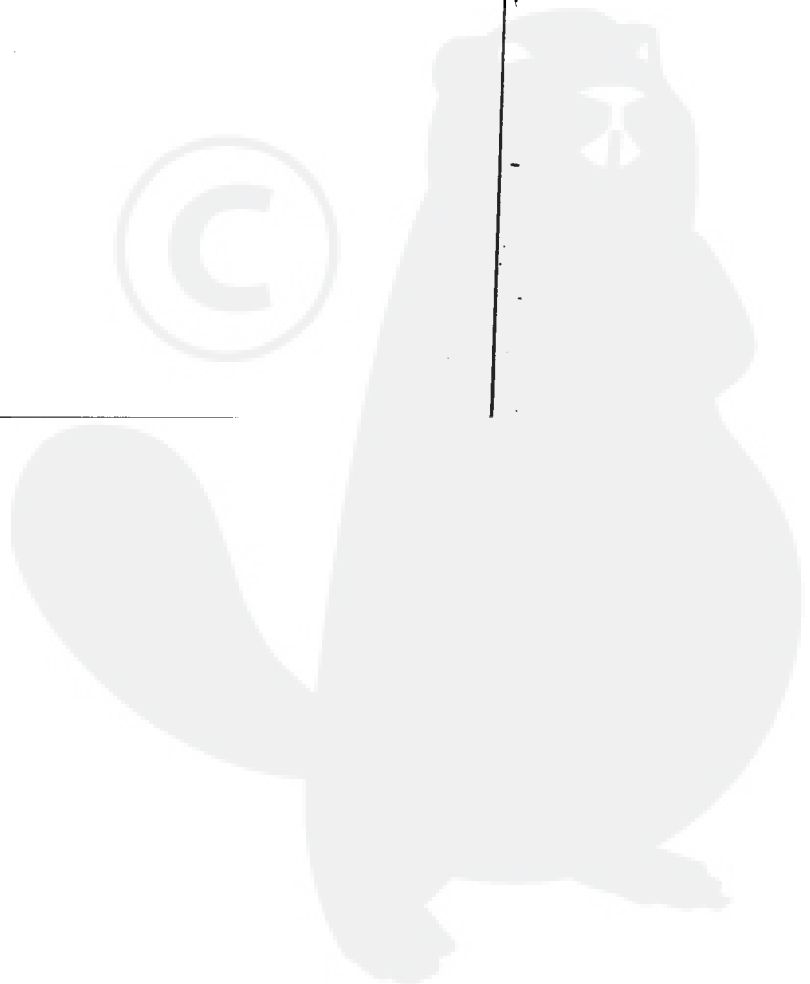
**NOTE:** ALWAYS USE ORIGINAL EQUIPMENT PARTS. Use of service/replacement parts other than original equipment parts may void your warranty.

ALL UNNUMBERED  
ITEMS ARE INTERCHANGEABLE  
WITH OPPOSITE SIDE

322505A

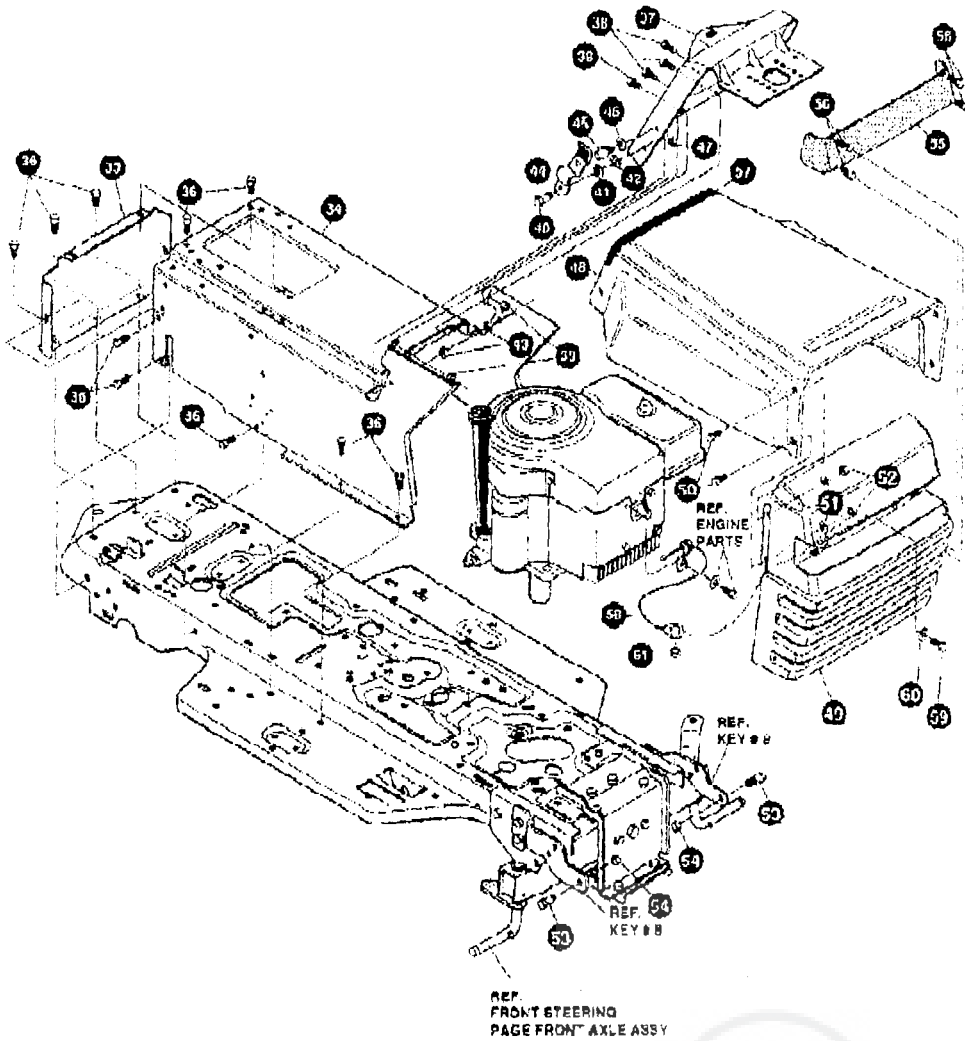
# 43" LAWN TRACTOR MODEL D3554-270

key#	part#	Description	Qty
1	321997-860	MP FRAME, MAIN SF RIDER	1
2	302917	FOOT PAD, LH SF WIDE	1
3	302918	FOOT PAD, RH SF WIDE	1
4	324915-800	BRACKET, SF FRNT XL UP SUPP.	1
5	57351	BOLT, 3/8-18X 75 CARP	2
6	1499	NUT, 3/8-18 REGHXCTRLK	2
7	324919-960	BRACKET, SF FRNT XL LO SUPP	1
8	325748	MP BRACKET, GRILLE RH G17 EXTSE	1
9	325747	MP BRACKET, GRILLE LH G17 EXTSE	1
10	325154	SCREW, 5/16-18X1.0WDFLLK	4
11	55273	NUT, 5/16-18 HXWDFLLK	4
12	123587	SCREW, 7/16-20X1.00 HHC	2
13	1252	NUT, 7/16-20 WDFLLK	2
14	122007	SCREW, 5/16-18X 75 HHC	2
15	1498	NUT, 5/16-18 REGHEXCTRLK	2
16	320297	ROD, SUPPORT FRAME SF	2
17	1459	NUT, 3/8-18 REGHXCTRLK	2
18	320295-853	MP BRACKET, FRONT HANGER	1
19	180077	SCREW, 5/16-18X 75 HHC	4
20	120393	WASHER, #_LAT, 344X .69X .055	4
21	1498	NUT, 5/16-18 REGHEXCTRLK	4
22	122201	SCREW, 3/8-16X2.75 HHC	2
23	2458	WASHER, 331DX1.25DX .07 BELLVIL	2
24	1499	NUT, 3/8-16 REGHXCTRLK	2
25	29616	BOLT, .625X1.880 HSSH 1/2-20	1
26	274654	NUT, 1/2-20 REGHXCTRLK	1
27	329082	OPERATOR'S MANUAL, ENGLISH (NOT SHOWN)	1
28	329084	OPERATOR'S MANUAL, FRENCH (NOT SHOWN)	1
29	329085	OPERATOR'S MANUAL, GERMAN (NOT SHOWN)	1
30	329581	PARTS MANUAL (NOT SHOWN)	1



# 43" LAWN TRACTOR MODEL D3554-270

## CHASSIS & HOOD ASSEMBLY



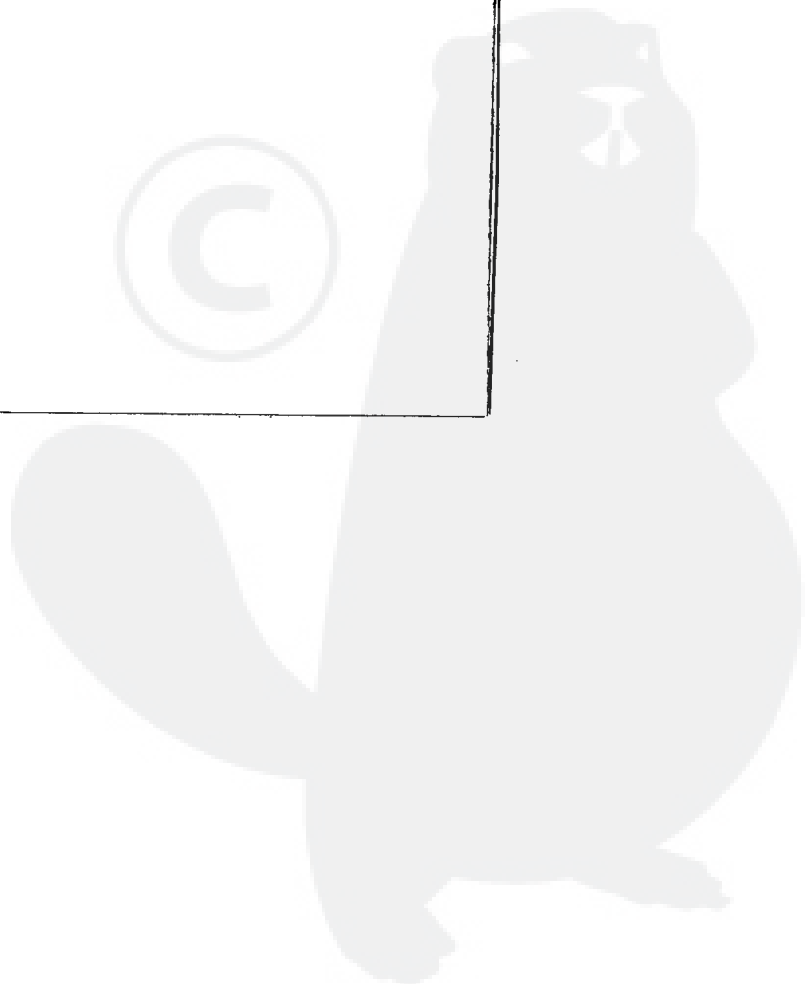
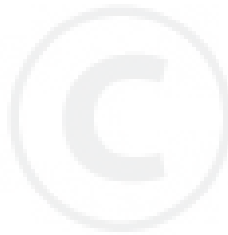
NOTE: ALWAYS USE ORIGINAL EQUIPMENT PARTS. Use of service/replacement parts other than original equipment parts may void your warranty.

ALL UNNUMBERED ITEMS ARE INTERCHANGEABLE WITH OPPOSITE SIDE

328606A

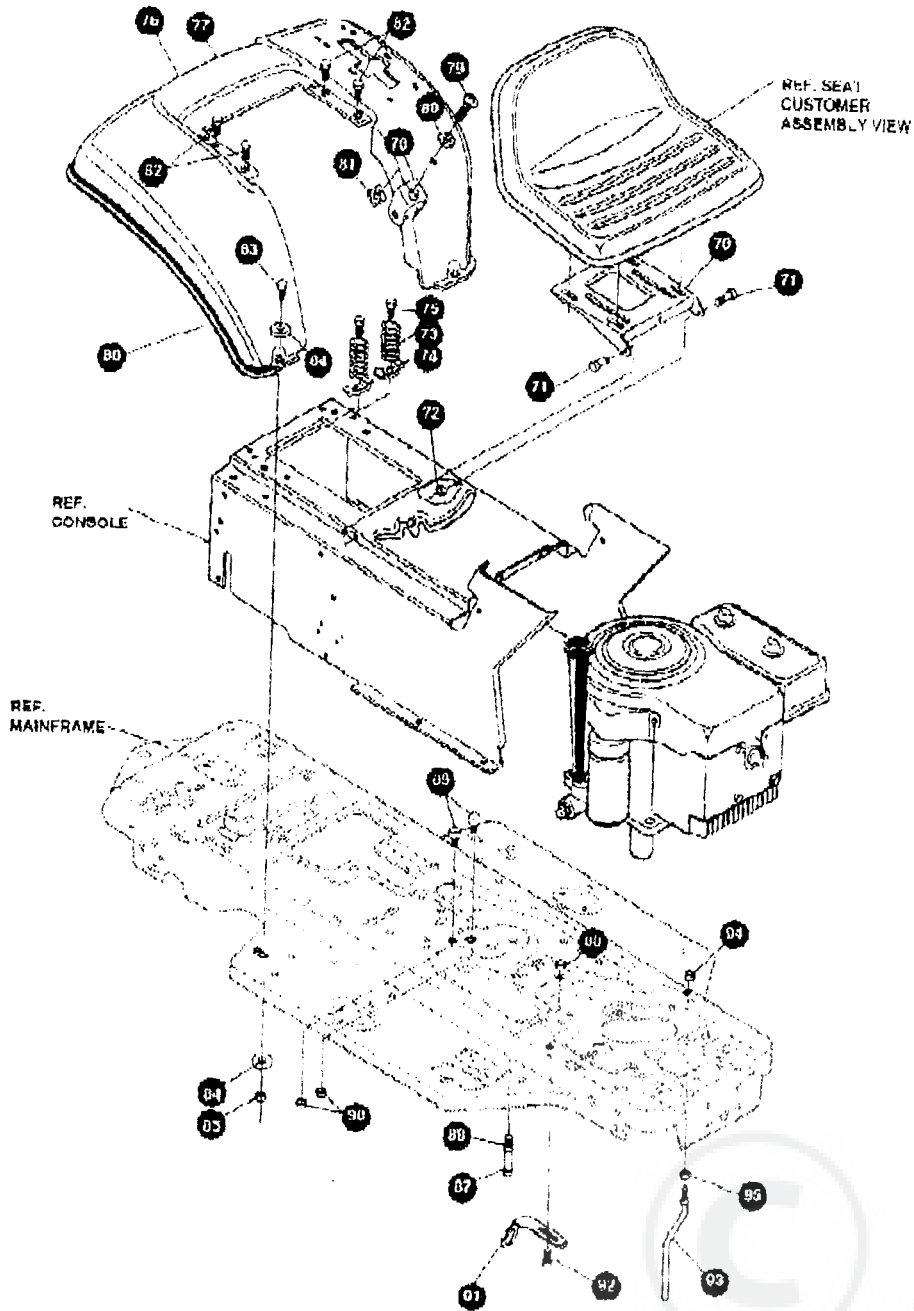
# 43" LAWN TRACTOR MODEL D3554-270

key#	part#	description	qty
34	324742-660	MP CONSOLE, SF DYNA FNDR SHFT	1
35	56735-860	MP CONSOLE, REAR COVER	1
36	995346	SCREW, 1/4-20X .50 WAHTAP	16
37	320466-660	MP DASH SF NOMA DYNA	1
38	995338	SCREW, 1/4-20X .63 HHWATAP	4
39	50352	NUT, 1/4-20 WDFLLK TOPLOCK	2
40	8687	BOLT, .375X 156 HSSH 5/16-18	2
41	120394	WASHER, FLAT .406X .81X .065	2
42	120392	WASHER, FLAT .344X .69X .065	2
43	1458	NUT, 5/16-18 REGHEXCTRLK	2
44	7159	LATCH, .84WDX .047 ASSY HOOD	2
45	53446	PIN, 5/16-18 HOOD LATCH	2
46	136538	WASHER, REGINTLK .320X .61X .03	2
47	45174	NLT, 5/16-18 HEXWDFLLK WHIZ	2
48	314538-660	MP HOOD SF	1
49	525401	GRILLE .017	1
50	274672	SCREW, 1/4-20X .83 WAHHC	4
51	120392	WASHER, FLAT .281X .63X .065	4
52	1302	NUT, 1/4-20 REGHEXCTRLK	4
53	56149	BOLT, .375X .500 HSSH 5/16-18	2
54	1498	NUT, 5/16-18 REGHEXCTRLK	2
55	302333	LENS, SMOKED W/TAB NO LOGO	1
56	67796	SCREW, #6 X .50 PLASTITE/HI-LO	4
57	56304	EDGING, WIDE	26
58	311094	LANYARD, HOOD 11.75LG H15 VANG.	1
59	121887	SCREW, 1/4-20X .75 HHC	1
60	120392	WASHER, FLAT .261X .83X .065	1
61	1502	NUT, 1/4-20 REGHEXCTRLK	1



# 43" LAWN TRACTOR MODEL D3554-270

## CHASSIS & HOOD ASSEMBLY



NOTE: ALWAYS USE ORIGINAL EQUIPMENT PARTS. Use of service/replacement parts other than original equipment parts may void your warranty.

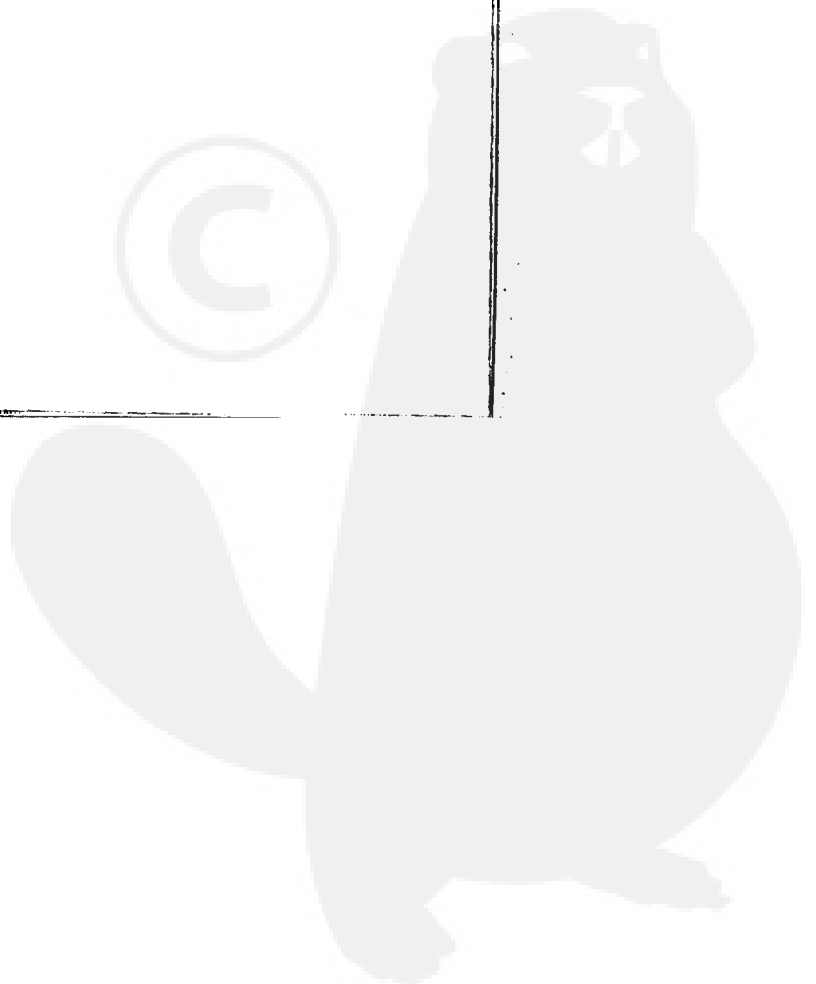
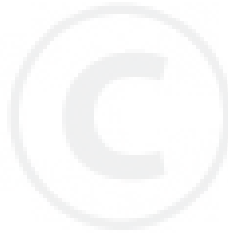
ALL UNNUMBERED ITEMS ARE INTERCHANGEABLE WITH OPPOSITE SIDE

326505A

# 43" LAWN TRACTOR MODEL D3554-270

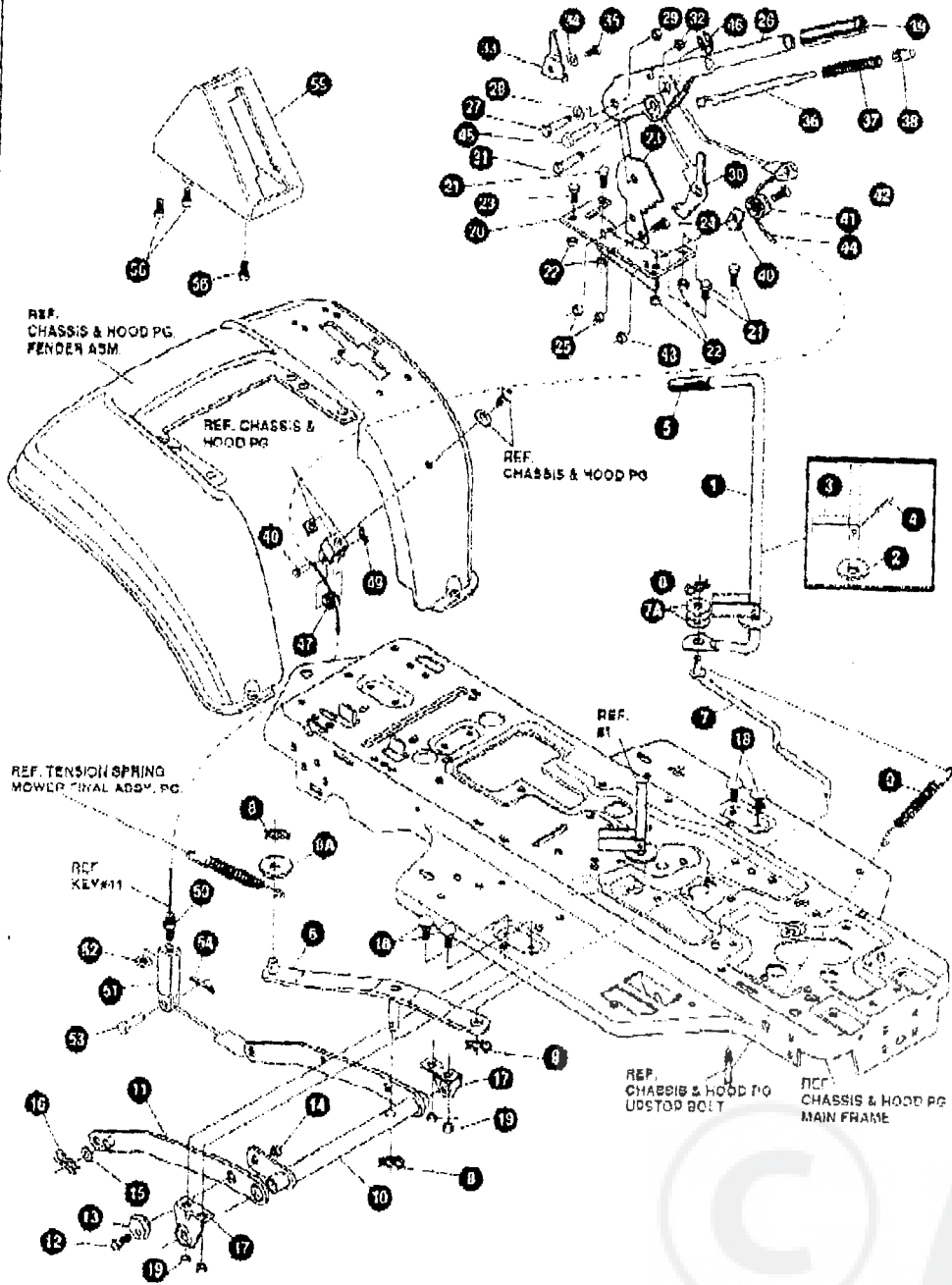
70.	58987-853	MP PLATE, SEAT F&S, LF	1
71.	20507	BOLT, .437X .156 HSSH 5/16-18	2
72.	1498	NUT, 5/16-18 REGHEXCTRLK	2
73.	56220	SPRING, 1.43X2.38X.182 COM SEAT	2
74.	1341	M. CLAMP, SPRING 1.17"ID	2
75.	945346	SCREW, 1/4-20X .50 WASHTAP	2
76.	0	SP ASM FENDER F&S SK RCH/OF	1
77.	321158-860	MP FENDER F&S S D F/O F	1
78.	9239	ML CLEVIS	1
79.	489455	SCREW, M18-18X .56 PHPNMA SKPH	1
80.	301551	WASHER, 3/4IDX1 5/8DX .09	1
81.	120373	NUT, 5/16-18 NG	1
82.	995346	SCREW, 1/4-20X .50 WASHTAP	1
83.	122007	SCREW, 5/16-18X .75 HHC	4
84.	446363	WASHER, FLAT .375X .88X .082	2
85.	1498	NUT, 5/16-18 REGHEXCTRLK	4
86.	55023	TRIM, STRIP, BLACK - SMALL, W/ADH	2
87.	427342	SCREW, 3/8-16X6 .80 HHC	75
88.	1499	NUT, 3/8-16 REGHEXCTRLK	1
89.	53446	PIN, 5/16-18 HOOD LATCH	2
90.	271184	NUT, 5/16-18 HEXKEPS	2
91.	902610-853	MP BRACKET, SWITCH MOUNTING	1
92.	995346	SCREW, 1/4-20X .50 WASHTAP	1
93.	50663	GUIDE, BELT	1
94.	41529	NUT, 3/8-16 HEXCTRLK/JAM GRD	1
95.	271180	NUT, 3/8-16 HEXKEPS	1

ORDER INDIVIDUAL PARTS



# 43" LAWN TRACTOR MODEL D3554-270

## MOWER SUSPENSION



**NOTE: ALWAYS USE ORIGINAL EQUIPMENT PARTS.** Use of service/replacement parts other than original equipment parts may void your warranty.

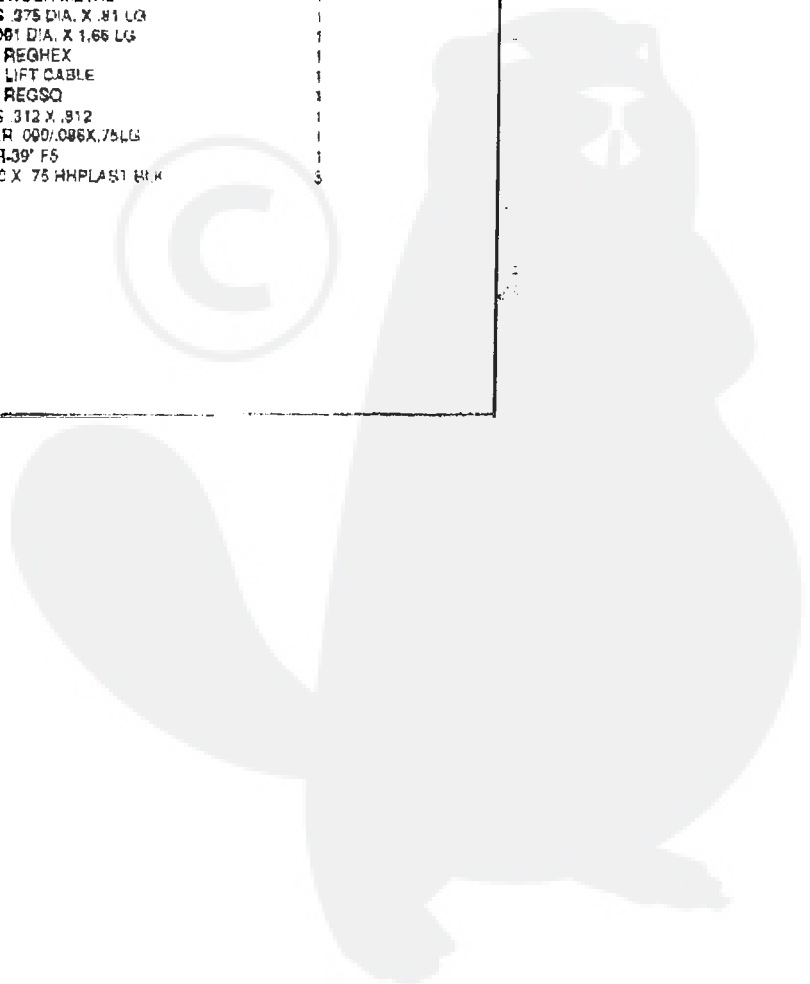
**ALL UNNUMBERED ITEMS ARE INTERCHANGEABLE WITH OPPOSITE SIDE**

324784B

# 43" LAWN TRACTOR MODEL D3554-270

key#	part#	description	qty
1	325591	HANDLE, RH PTO NOMA DASH SF	1
2	22265	WASHER, FLAT .516X1.38X.118PL	1
3	305225	ML STOP, PTO ENGAGEMENT	1
4	526386	PIN, SPRING, .187DIA X 1.00LG HVPL	1
5	45478	GRIP, HAND, 501D 3.37 LG BLK	1
6	325587-853	WS STRAP ASSY, PTO BELCRANK	1
7	325590	ROD, BELCRANK LINK	1
7A	274517	FLAT WASHER, .406X.73X.063	1
8	8260	HAIR PIN	3
8A	25210	FLAT WASHER, .392X1.25X.09	4
9	326802	SPRING, .63X7.75X.0087 TENSION	1
10	325114-853	WP LIFT ASSY, LH	1
11	325130-853	WP LIFT ASSY, RH	1
12	180079	SCREW, 5/16 18X1.00 HHO GR5Z	1
13	58247	NUT, ADJUST	1
14	1488	NUT, 5/16-18 REGHEXCTRLK	1
15	417086	WASHER, FLAT, .603X1.00X.063Z	1
16	8260	PIN, HAIR, .091 DIA X 1.88LG	2
17	325495-853	MF BRACKET, REAR HANG SUSP	2
18	126211	BOLT, 5/16-18X.63 CARR GR2Z	4
19	1498	NUT, 5/16-18 REGHEXCTRLK	4
20	313926	MF BRACKET, HEIGHT ADJUST	1
21	180077	SCREW, 5/16-18X.75 HHG GR5Z	4
22	1498	NUT, 5/16-18 REGHEXCTRLK	4
23	301230	QUADRANT, HEIGHT ADJUST	1
24	180077	SCREW, 5/16-18X.75 HHG GR5Z	2
25	1498	NUT, 5/16-18 REGHEXCTRLK	2
26	322202-853	MF HANDLE, LIFT SHORT(30" S.F.)	1
27	300171	BOLT, .500X.270 HHSH 5/16 18Z	1
28	896418	WASHER, FLAT, .508X.76X.024Z	1
29	44108	NUT, 5/16-18 HWDFLCTRLK	1
30	301239	HF PAWL, SQUARE HTRP955	1
31	300171	BOLT, .600X.270 HHSH 5/16-18Z	1
32	44108	NUT, 5/16 18 HWDFLCTRLK	1
35	9435	ML POINTER	1
34	138479	WASHER, EXLK 185X.41X.03Z	1
35	35287	SCREW, #8-32X.38 HHWATAPGR2	1
36	300027	ROD, ACTUATOR SHORT	1
37	58320	SPRING, HEIGHT ADJUST	1
38	58325	KNOB, HEIGHT ADJ PUSH BUTTON	1
39	58329	GRIP, .750 OD W/HOLE BLACK	1
40	9146	ML CABLE RETAINING BRACKET	1
41	40306	PULLEY, POWDER METAL	1
42	58996	BOLT, .375X.375 HHSH 1/4-20	1
43	1502	NUT, 1/4 20 REGHEXCTRLK	1
44	321430	CABLE, LIFT 31.56-30" S.F.	1
45	300310	PIN, CLEVIS .313 DIA X .475 LG ZPL	1
46	300311	RING, RET E .31X.25TRUX5133-31	1
47	40306	PULLEY, POWDER METAL	1
48	300317	PIN, CLEVIS .275 DIA. X .41 LG	1
49	8260	PIN, HAIR .091 DIA. X 1.66 LG	1
50	120376	NUT, 1/4-20 REGHEX	1
51	9406	ML CLEVIS, LIFT CABLE	1
52	120372	NUT, 1/4-20 REGSQ	1
53	39522	PIN, CLEVIS .312 X .812	1
54	121222	PIN, COTTER .000/.086X.75LG	1
55	300338	LIFT COVER-39" FS	1
56	300340	SCREW, #10 X .75 HHPLAST BLK	3

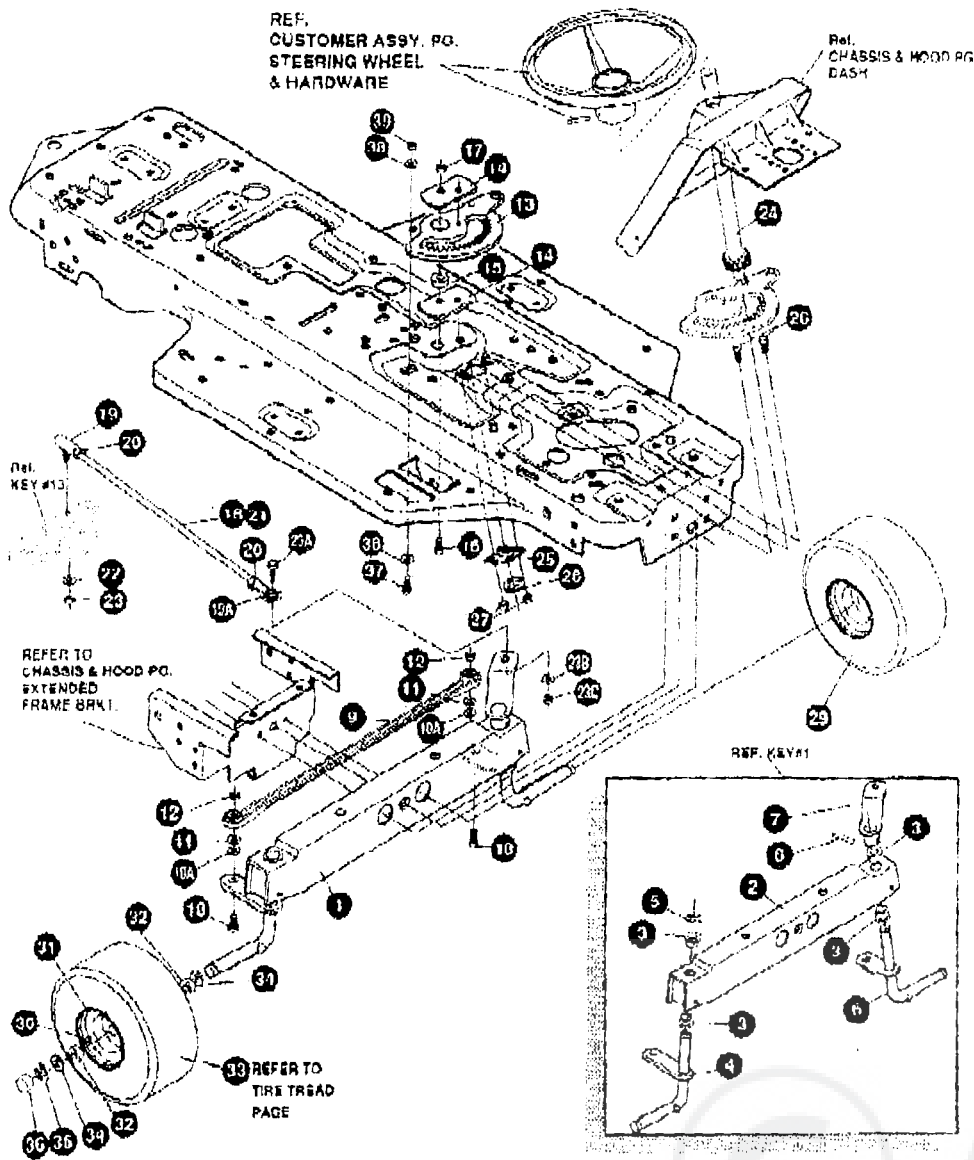
- STANDARD HARDWARE ITEMS





# 43" LAWN TRACTOR MODEL D3554-270

## STEERING ASSEMBLY (FRONT)



**NOTE: ALWAYS USE ORIGINAL EQUIPMENT PARTS.** Use of service/replacement parts other than original equipment parts may void your warranty.

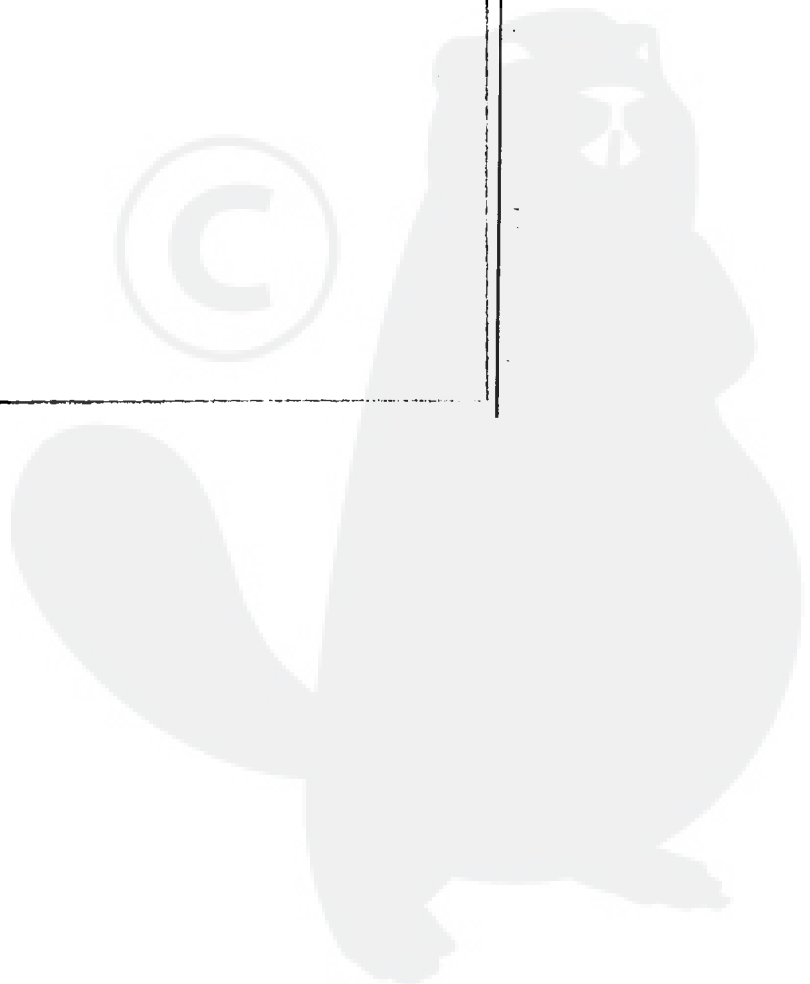
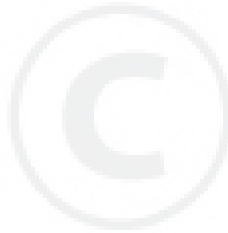
**ALL UNNUMBERED ITEMS ARE INTERCHANGEABLE WITH OPPOSITE SIDE**

924817C

# 43" LAWN TRACTOR MODEL D3554-270

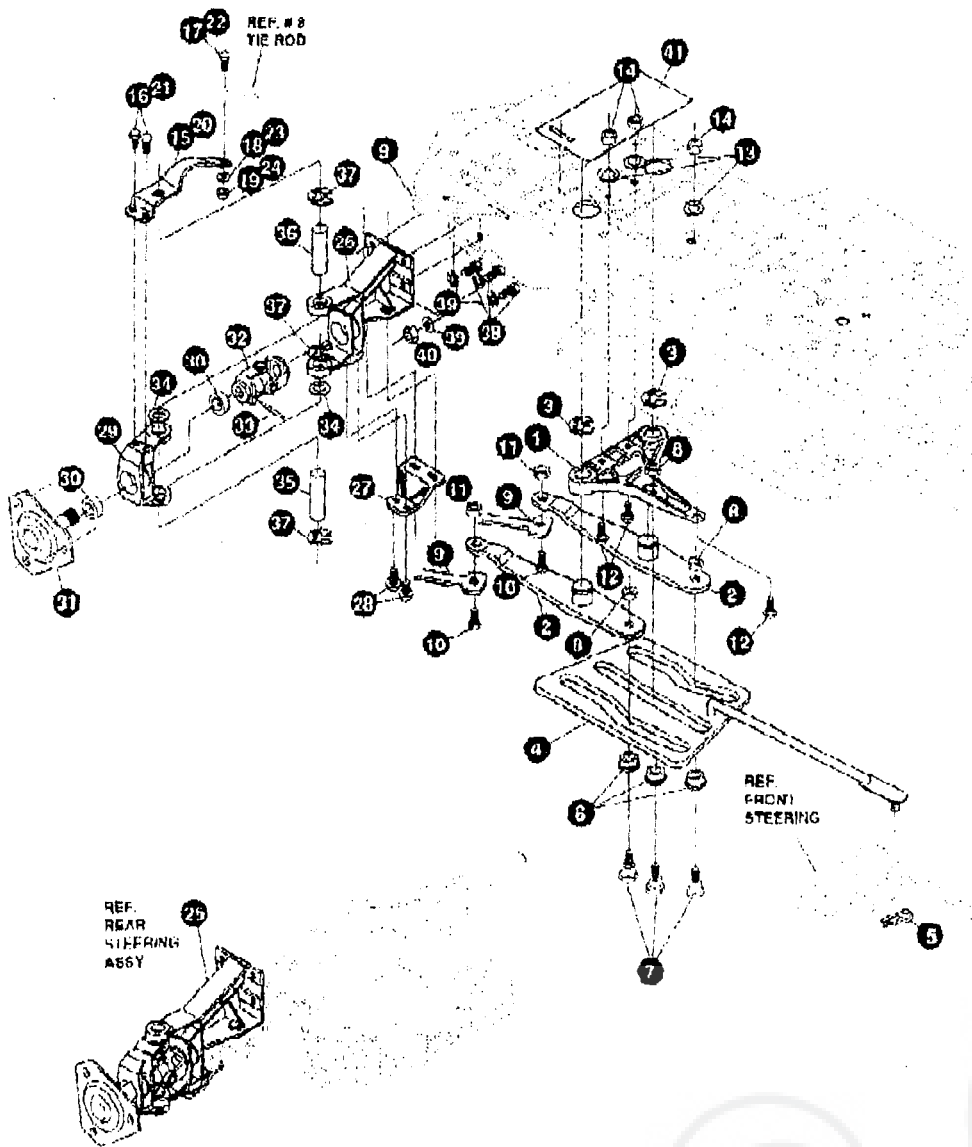
KEY#	PN#	DESCRIPTION	QTY
1.	0	FRONT AXLE ASSEMBLY SF	1
2.	312280	AXLE FRONT	1
3.	50548	BEARING FLANGE	4
4.	310369	SPINDLE RH	1
5.	30825	RING, RETEX	1
6.	310367	SPINDLE LH	1
7.	327820	ARM, ASSY. SF 4WS FRT. STEER	1
8.	454585	PIN, SPRING	1
9.	302688	TIE ROD	1
10.	120818	SCREW, 3/8-16X1.50 HHC	2
10A.	327811	WASHER, FLAT, .091 x 1.00 x .194	2
11.	120362	WASHER, .883X.88X.10 REGSPTLK	2
12.	1499	NUT, 3/8-16 REGHCTRLK	2
13.	324752	SECTOR GEAR	1
14.	327833	PLATE, SECTOR	2
15.	324753	BUSHING, SECTOR	1
16.	180124	SCREW, 3/8-16X1.25 ORS	1
17.	1498	NUT, 3/8-16 REGHCTRLK	1
18.	328432	DRAG LINK ASSEMBLY	1
19.	57158	BALL JOINT	1
19A.	304260	BALL JOINT	1
20.	124925	NUT, 3/8-24 REGHCKJAM	2
21.	325820	DRAG LINK	1
22.	180382	WASHER, EG3PTLK	1
23.	120369	NUT, 3/8-24 REGHEX	1
23A.	122145	SCREW, 3/8-16X1.25 HHC	1
23C.	120382	WASHER, EG3PTLK	1
23D.	120377	NUT, 3/8-16 REGHEX	1
24.	327604	STEERING SHATT	1
25.	328802	BRNG FLANGE	1
26.	328606	SCR 1/4 20X.75	2
27.	48031	NUT 1/4 20 WDFL MAG LOCK	2
28.	20864	RING, RETEX .80X.04TRU5193	1
29.	0	ASSEMBLY, TIRE & RIM	2
30.	24167	VALVE STEM	1
31.	30820	WHEEL W/BEARING	1
32.	314416	BEARING, 1.380DX.753ID FLANGE	2
33.		REFER TO TIRE TREAD PAGE	
34.	642	WASHER, FLAT, .786X1.31X.078	4
35.	38625	RING, RETEX .57X.05	2
36.	40394	HUB CAP	2
37.	122145	SCREW, 3/8 16X1.25	1
38.	120384	WASHER, FLAT	2
39.	44374	NUT, 3/8 16 HXWDFLLK	1

• STANDARD HARDWARE ITEMS  
 0 ORDER INDIVIDUAL PARTS



# 43" LAWN TRACTOR MODEL D3554-270

## STEERING ASSEMBLY (REAR)



NOTE: ALWAYS USE ORIGINAL EQUIPMENT PARTS. Use of service/replacement parts other than original equipment parts may void your warranty.

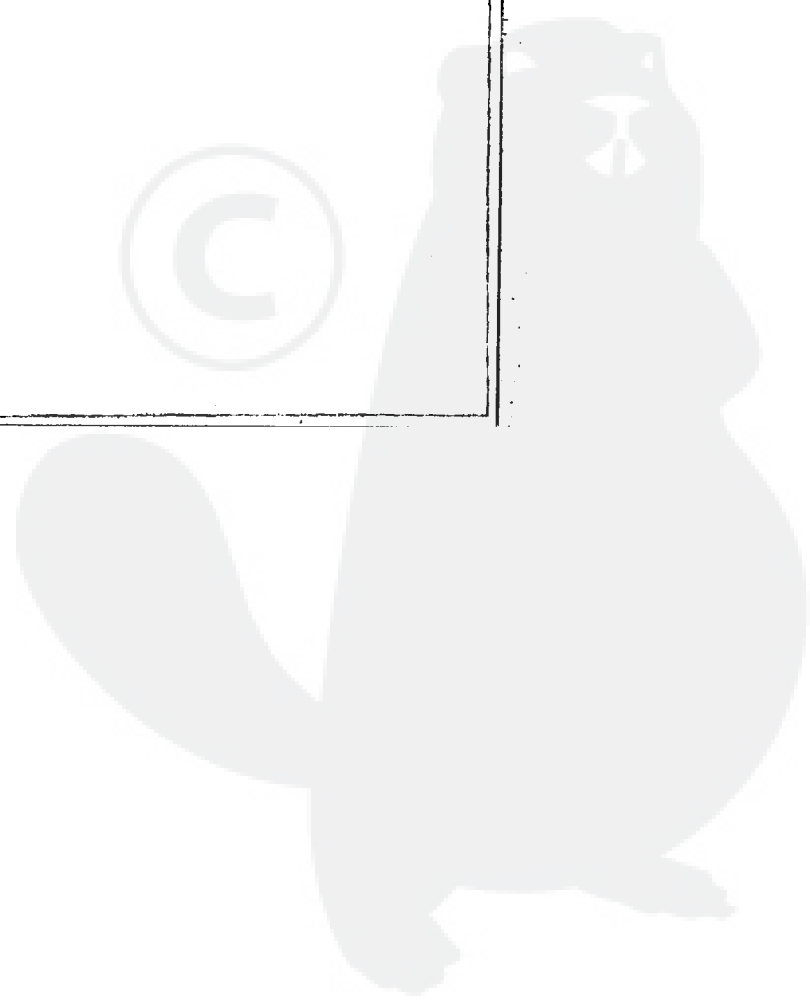
ALL UNNUMBERED ITEMS ARE INTERCHANGEABLE WITH OPPOSITE SIDE

326256B

# 43" LAWN TRACTOR MODEL D3554-270

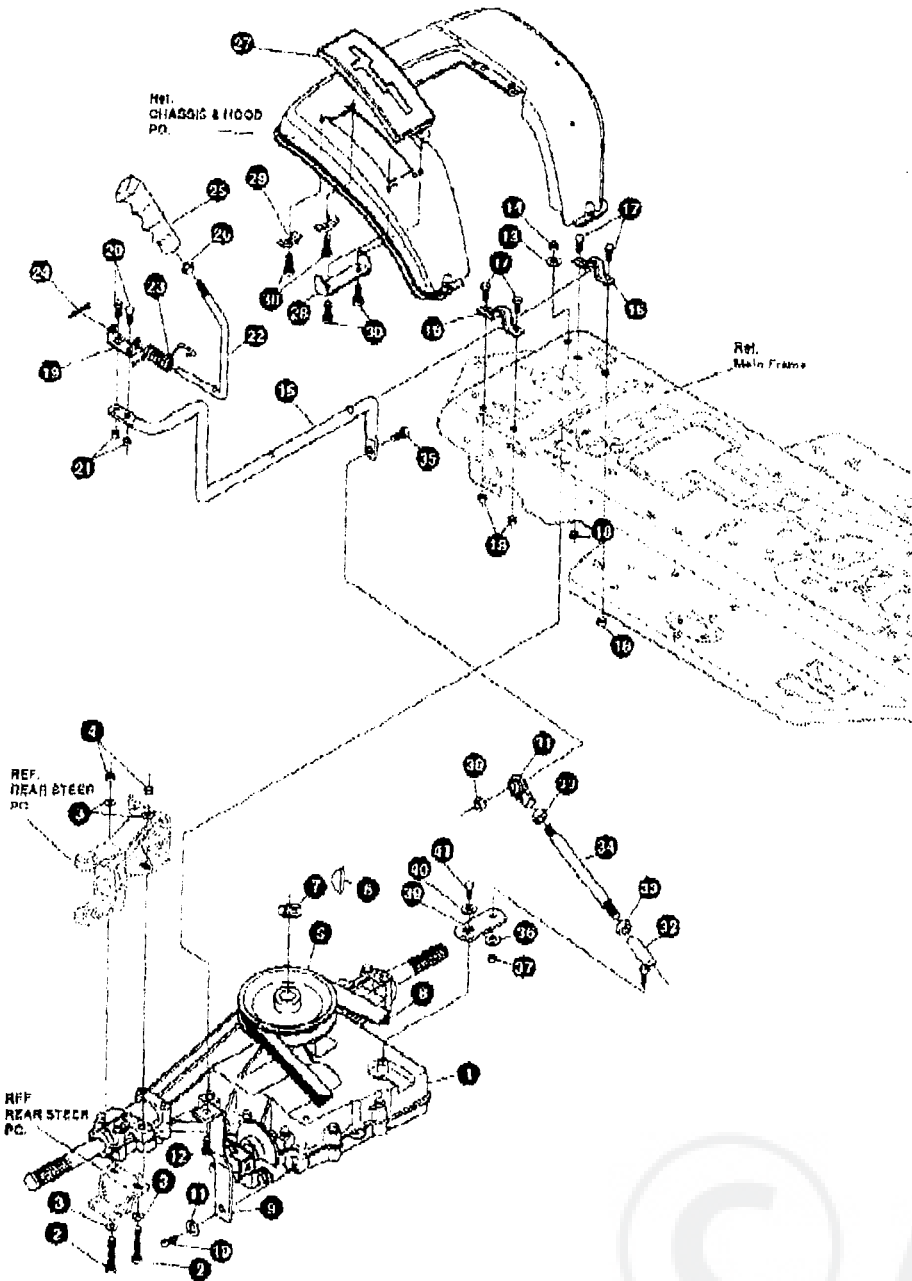
key#	part#	description	qty
1	327793	SF ASSY, CAM PLATE SUPPORT	1
2	328660	ASSY, CAM ARM	2
3	36625	HINGE, RETEX 57X 08TRUS133-75	2
4	32690K	WS 4WS DRAG LINK ASM SF	1
5	36358	PIN, HAIR	1
6	324742	MP HINGE, CAM ROLLER SF4WS	3
7	325128	BOLT, 62RX 442 HHSH 3/8-16Z	5
8	1499	NUT, 3/8-16 REGHEXCTRLK	3
9	32826R	LINK, REAR STEER TIE SF 4WS	2
10	46824	BOLT, .500X .188 HHSH 5/16-18	2
11	1498	NUT, 5/16-18 REGHEXCTRLK	2
12	126215	BOLT, 5/16-18X .75 CARR GR2	8
13	126293	WASHER, FLAT .344X .68X .065	3
14	1498	NUT, 5/16-18 REGHEXCTRLK	3
15	32826K	MP ARM REAR WHL STR SF4WS R.H.	1
16	39728	SCREW, 3/8-16X .75 WAHTAP BK P	2
17	46824	BOLT, .500X .188 HHSH 5/16-18Z	1
18	4230	WASHER, FLAT .328X .68X .104	1
19	44108	NUT, 5/16-18 HWDFLOTRK	1
20	32826J	MP ARM REAR WHL STR SF 4WS L.H.	1
21	39728	SCREW, 3/8-16X .75 WAHTAP BK P	2
22	46824	BOLT, .500X .188 HHSH 5/16-18Z	1
23	4230	WASHER, FLAT .328X .68X .104	1
24	44108	NUT, 5/16-18 HWDFLOTRK	1
25	32826J	ASSY, REAR STEER, INNER/OUTER	2
26	324755	YOKE, SF4WS INNER	1
27	328282-800	BRACKET, INNER YOKE SUPPORT	1
28	35498	SCREW, 5/16-18X .75 WAHTAP	2
29	324754	YOKE, REAR STEER OUTER SF 4WS	1
30	12325	BRNG, BALL .750IDX1.675ODX.472	2
31	328981-830	WF HUB ASSEMBLY	1
32	320531	J-JOINT ASSEMBLY W/ ZERKE (LONG)	1
33	36311	PIN, GROOVED 256DIA X 1.60LG	1
34	21882	WASHER, FLAT .765X1.25X .042	2
35	325220	PIN, REAR STRNG HINGE LOWER SF	1
36	325221	PIN, REAR STRNG HINGE UPPER SF	1
37	36020	RING, RETEX 57X .05 TRUE5132-75	3
38	180079	SCREW, 5/16 18X1.00 HHC GR5	6
39	120090	WASHER, FLAT .344X .68X .065	12
40	1498	NUT, 5/16-18 REGHEXCTRLK	6
41	328871	COVER, PLASTIC	1

◊ indicates STANDARD HARDWARE ITEMS.



# 43" LAWN TRACTOR MODEL D3554-270

## MOTION DRIVE ASSEMBLY



**NOTE: ALWAYS USE ORIGINAL EQUIPMENT PARTS.** Use of service/replacement parts other than original equipment parts may void your warranty.

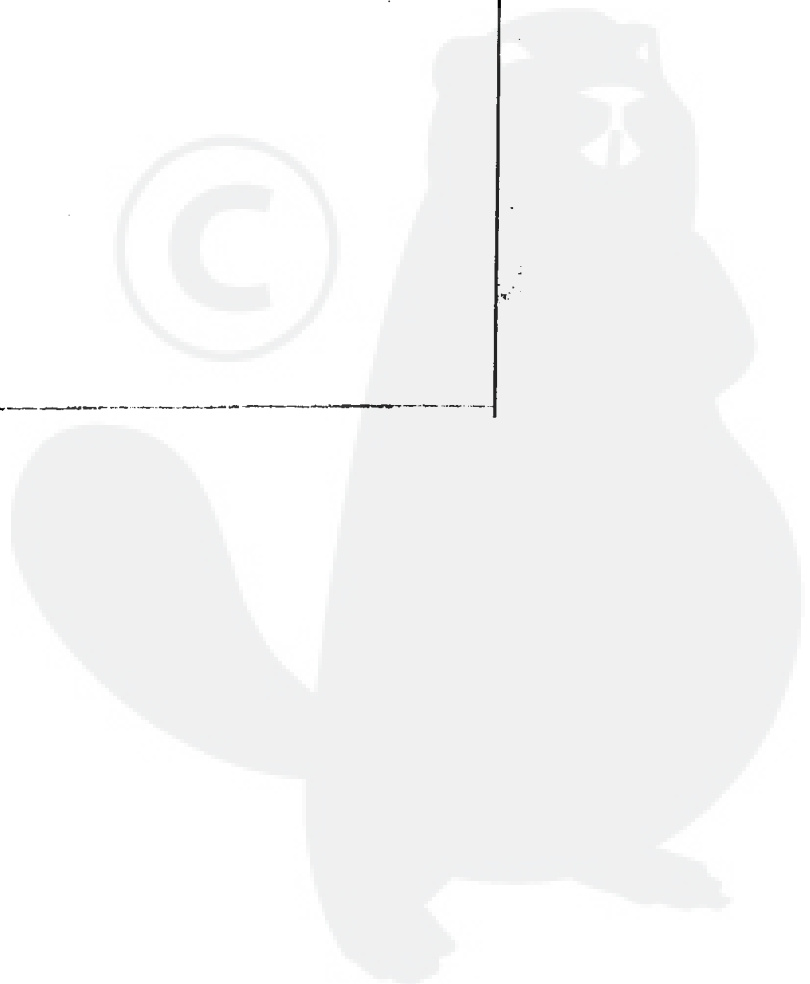
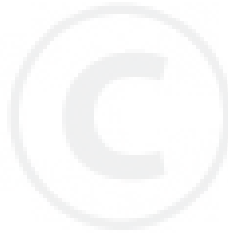
**ALL UNNUMBERED ITEMS ARE INTERCHANGEABLE WITH OPPOSITE SIDE**

328427A

# 43" LAWN TRACTOR MODEL D3554-270

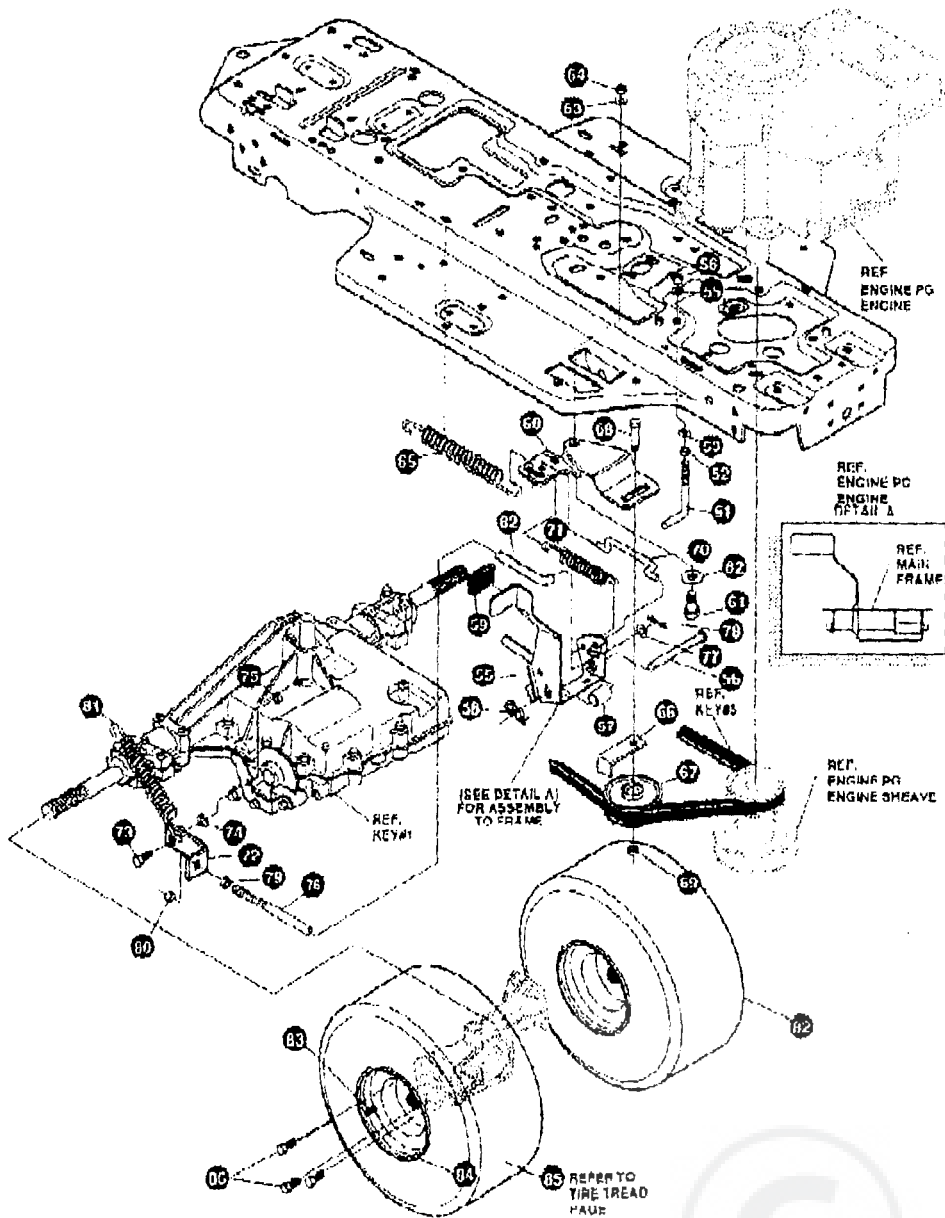
KEY#	PART#	DESCRIPTION	QTY
1	-	TRANSAXLE P930-045 5SP1W/5SP	-
2	180112	SCREW, 5/16-18X2.75 HHC 045	4
3	120393	WASHER, FLAT .344X .89X .065	8
4	1498	NUT, 5/16-18 REGHEXCTRLK	4
5	303106	PULLEY, 6.6 OD V4L 11A	1
6	3021	KEY, WDRF 606 .750X .187X .312	1
7	22059	RING, RETEX BRX 025 TH 16100-62	1
8	53920	BELT, V 4L 83.50	1
9	329525	BRKT, STABILIZER 020 ARKO NP	1
10	36408	SCREW, 5/16-18X .75 WASHHTAP	1
11	120698	WASHER, HVSP/TLK 328X 60X .09	1
12	122017	SCREW, 5/16-18X1.00 HHC	1
13	138495	WASHER, FLAT 1.31X .370X .03	1
14	1498	NUT, 5/16-18 REGHEXCTRLK	1
15	310113-955	LEVER, SHIFT LOWER 5P FENSHIFT	1
16	302750	CLAMP, R250A	2
17	180075	SCREW, 5/16-18X .63 HHC	4
18	1498	NUT, 5/16-18 REGHEXCTRLK	4
19	310356	BRACKET, PIVOT SHIFT LEVER	1
20	180018	SCREW, 1/4-20X .82 HHC	1
21	1502	NUT, 1/4-20 REGHEXCTRLK	2
22	308635	LEVER, SHIFT UPPER 5CP 1/2 13	1
23	211216	SPRING, TORS .56X .05X .085	1
24	137185	PIN, COTTER .125 DIA X 1.00 LG	1
25	304124	HANDLE, 1/2-13	1
26	120258	NUT, 1/2-13 HEX, AM	1
27	311204	COVER, PLASTIC LF P930/F4380 6	1
28	311254-853	BRACKET, COVER F-3 FNDR SHIFT	1
29	1341	CLAMP, SPRING 1.17 ID	2
30	311331	SCREW, 1/4-19X .447 53 HILO/11WA	4
31	304260	BALL JOINT RH 3/8-24	1
32	57158	BALL JOINT 3/8 THD SHORT STUD	1
33	124925	NUT, 3/8-24 REGHEX, AM	2
34	329056	SHIFT ROD P930 4WS	1
35	180124	SCREW, 3/8-16X1.25 HHC	2
36	120382	WASHER, REGSPTLK 303X .68X .10	1
37	120369	NUT, 3/8-24 REGHEX	1
38	1499	NUT, 3/8-16 REGHEXCTRLK	1
39	309637	BRACKET, SHIFT 5CP OF CONDEN	1
40	57157	WASHER, .750X .250 SP-TRANSAXLE	1
41	56285	SCREW, 1/4-20X .75 NYLON 6/6	1

\* CONTACT YOUR NEAREST TRANSAXLE DEALER FOR PARTS AND SERVICE.



# 43" LAWN TRACTOR MODEL D3554-270

## MOTION DRIVE ASSEMBLY



NOTE: ALWAYS USE ORIGINAL EQUIPMENT PARTS. Use of service/replacement parts other than original equipment parts may void your warranty.

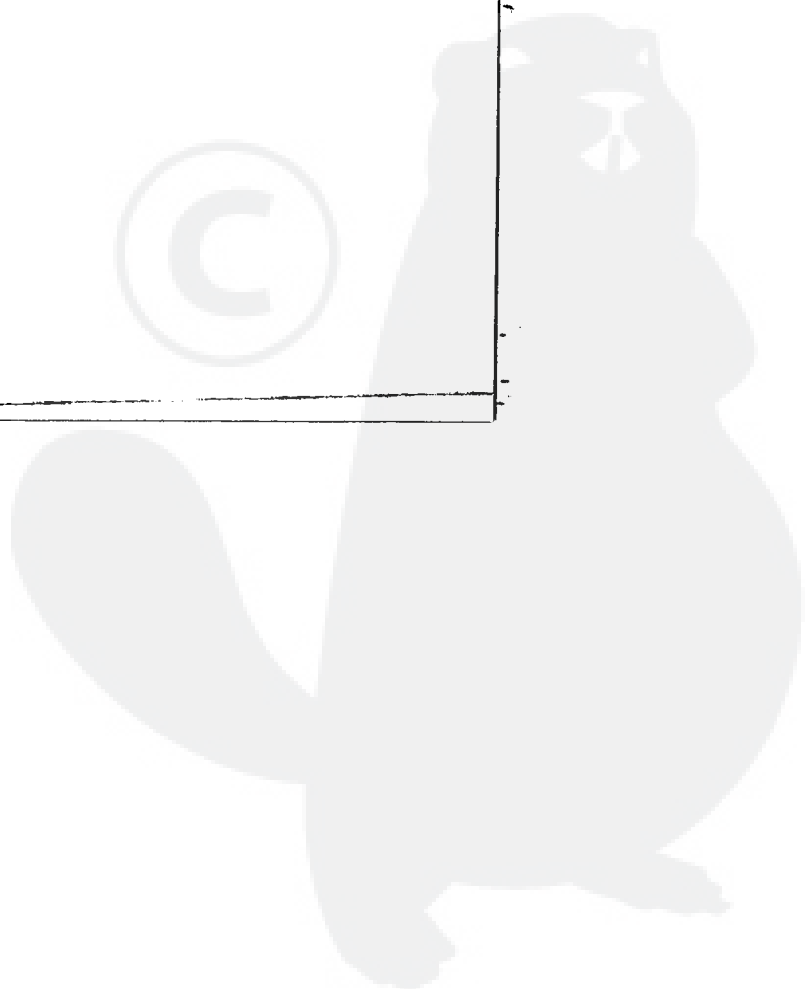
ALL UNNUMBERED ITEMS ARE INTERCHANGEABLE WITH OPPOSITE SIDE

329927A

# 43" LAWN TRACTOR MODEL D3554-270

KEY#	PART#	DESCRIPTION	QTY
61.	48886	BELT GUIDE	1
62.	271184	NUT, 5/16-18 HEXKEPS	1
63.	130393	WASHER, FLAT, 344X.85X.065	2
64.	1498	NUT, 5/16-18 REGHEXCTRLK	1
65.	302603	SF ASSY, HHAKE PEDAL S.F.	1
66.	319876	PIN, CH FVIS, .600X4.87LG	1
67.	302601	SPACER, SLEV, .53 X .62X1.408	1
68.	56180	PIN, HAIR, .091 DIA X 1.62LG	1
69.	48761	PAD, CLUTCH/BRAKE	1
60.	321969-ASM	MF IDLER ARM BRKT TRACTION SF	1
61.	21980	BOLT, .625X .218 HSSH 5/16-18	1
62.	4107	WASHER, FLAT, .635X1.31X.07	1
63.	42602	WASHER, FLAT, .333X.87X.119	1
64.	1498	NUT, 5/16-18 REGHEXCTRLK	1
65.	327467	SPRING, 3/4 ODX7.75X.091 TENSIO	1
66.	39659	MF RETAINER, BELT	1
67.	95374	PULLEY, IDLER V4L 2.06X .02	1
68.	45882	ROLT, 3/8-16X1.50 CARR	1
69.	1498	NUT, 5/16-18 REGHEXCTRLK	1
70.	43980	ROD, .268 DIA CLUTCH	1
71.	50567	SPRING, 3/8 ODX1.625X .055 TENSIO	1
72.	132127	MF/MS BRACKET, BRAKE ROD	1
73.	20507	BOLT, .437X .155 HSSH 5/16-18	1
74.	4230	WASHER, FLAT, .328X .69X.104	1
75.	1498	NUT, 5/16-18 REGHEXCTRLK	1
76.	323222	MF BRAKE ROD RIDER OF	1
77.	120393	WASHER, FLAT, 344X.85X.065Z	1
78.	121222	PIN, COTTON, .0907.086X.76 LG Z	1
79.	271184	NUT, 5/16-18 HEXKEPS	1
80.	1498	NUT, 5/16-18 REGHEXCTRLK	1
81.	35410	SPRING, .071X .62X4.37	1
82.	-	TIRE & RIM PU 20X8 B TURFWHI	2
83.	24157	VALVE STEM	1
84.	316667	HUB, WHEEL	1
85.	-	REFER TO TIRE TREAD PAGE	1
86.	123418	SCREW, 1/2-20X .50 HHC	6

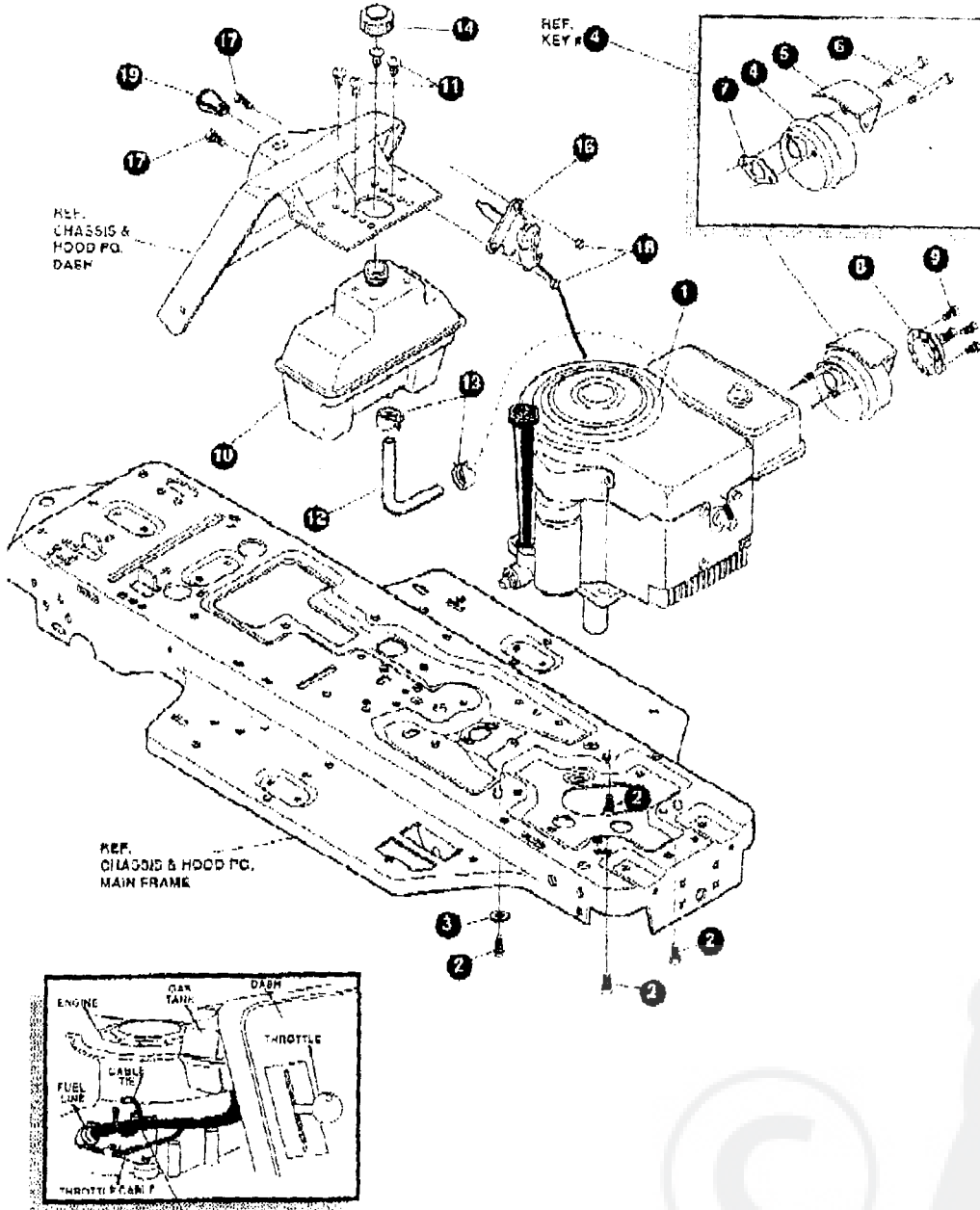
\*ORDER INDIVIDUAL PARTS.





# 43" LAWN TRACTOR MODEL D3554-270

## ENGINE & CONTROL ASSEMBLY



**NOTE:** ALWAYS USE ORIGINAL EQUIPMENT PARTS. Use of service/replacement parts other than original equipment parts may void your warranty.

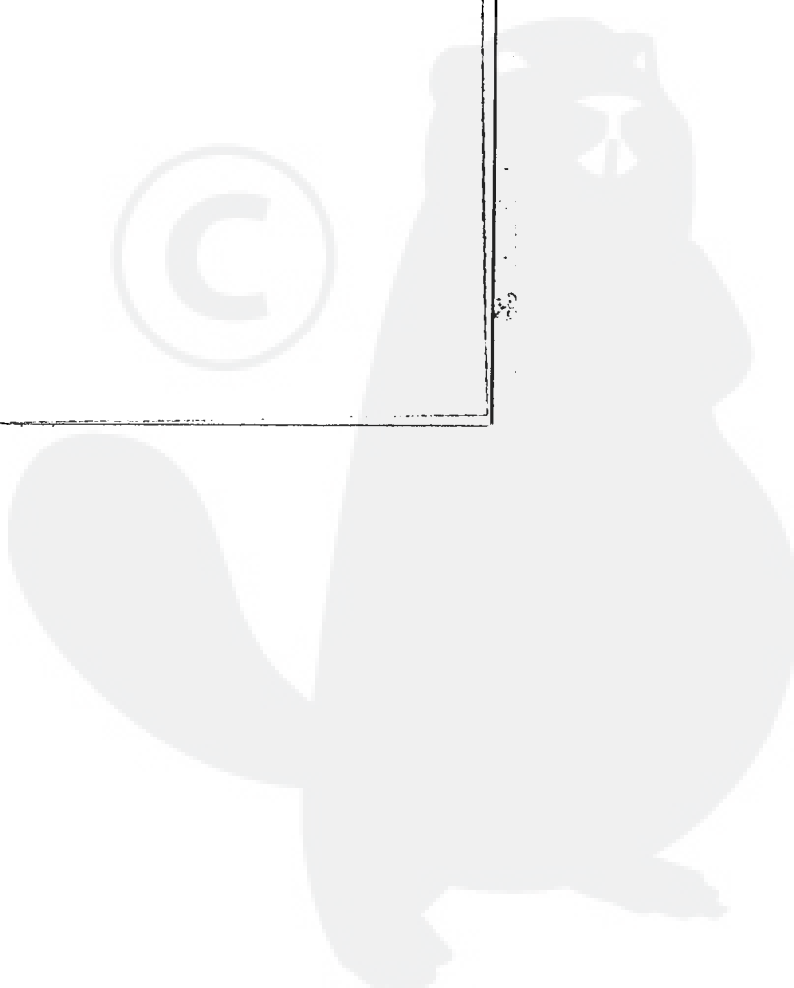
ALL UNNUMBERED ITEMS ARE INTERCHANGEABLE WITH OPPOSITE SIDE.

325846A

# 43" LAWN TRACTOR MODEL D3554-270

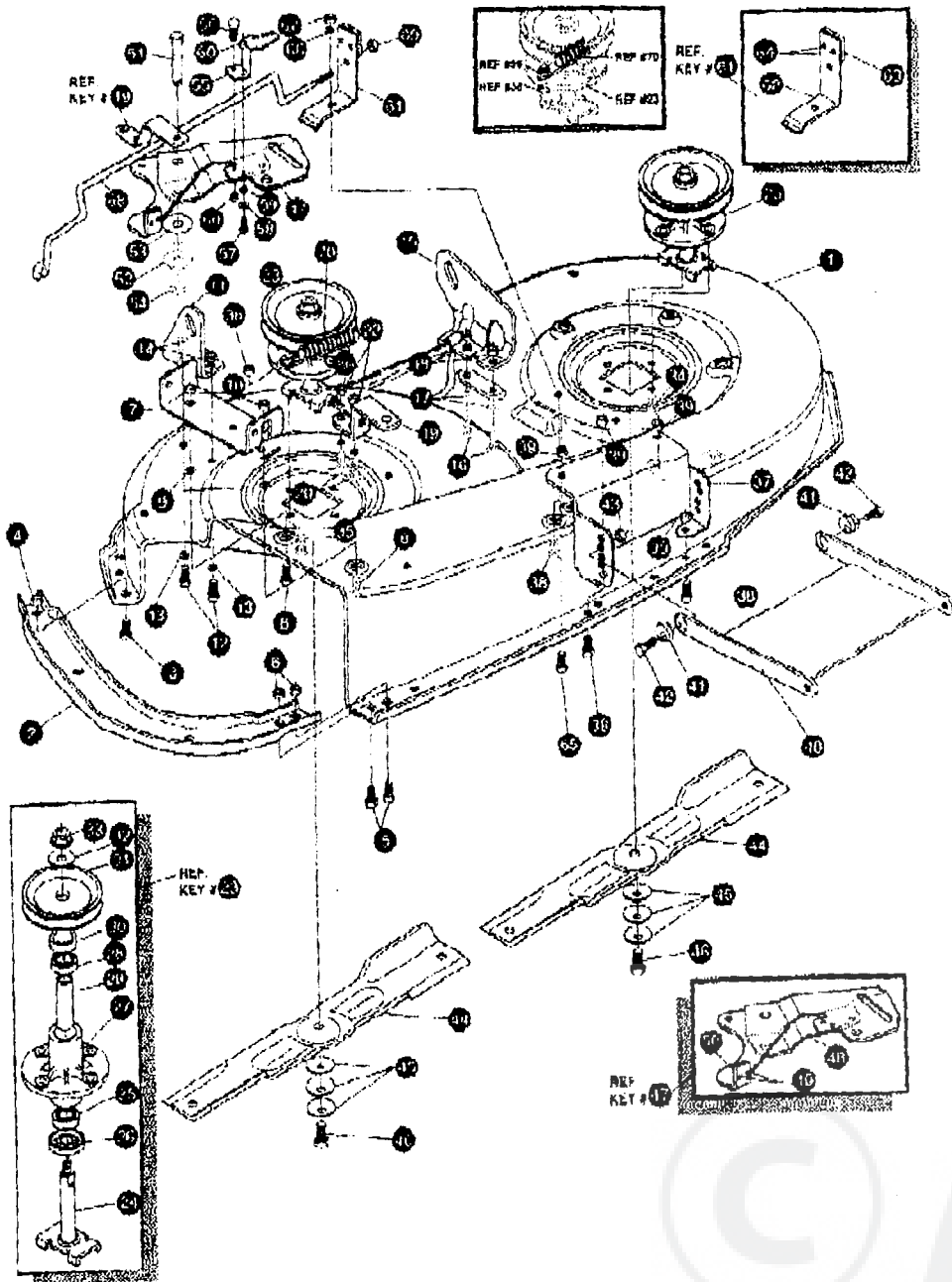
key#	part#	Description	Qty
1	ENGINE	12.5 B&S V/C DUAL CIR (SEE ENGINE MANUAL)	1
2	50947	SCREW, 3/8-16X1.25 WASHTAP	4
3	◇ 138489	WASHER, EX1 K, 3/8X.89X .04	1
4	57808	MUFFLER NR1 SON LO-TONE	1
5	54767	SHIELD, HEAT FOR ROUND MUFFLER	1
6	◇ 173063	SCREW, 5/16-18X3.50 HHC	2
7	46708	GASKET MUFFLER	1
8	323423	DEFLECTOR SIDE OUT	1
9	35287	SCREW, 8-32X.38 HHWATAP	3
10	314989	TANK, FUEL 1 GALLON	1
11	◇ 49050	SCREW, 1/4-10X .75PHPTAP	4
12	42258	GAS LINE, 25' D BULK LENGTH	12'
13	47345	CLAMP, GAS LINE (1/2 DIA HOSE)	2
14	48704	GAS CAP	1
15	57444	TIE, CABLE	1
16	320031	THROTTLE CONTROL	1
17	◇ 35291	SCREW, 10-24X .50 6LHMA	2
18	◇ 271180	NUT, #10-24 HEXKEPS	2
19	50807	KNOB, ROUND THROTTLE	1

◇ Indicates STANDARD HARDWARE ITEMS.



# 43" LAWN TRACTOR MODEL D3554-270

PRE-PAINTED DECK



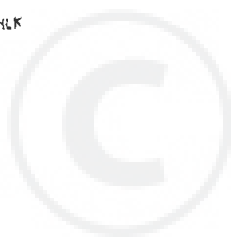
NOTE: ALWAYS USE ORIGINAL EQUIPMENT PARTS. Use of service/replacement parts other than original equipment parts may void your warranty.

ALL UNNUMBERED ITEMS ARE INTERCHANGEABLE WITH OPPOSITE SIDE

326294D

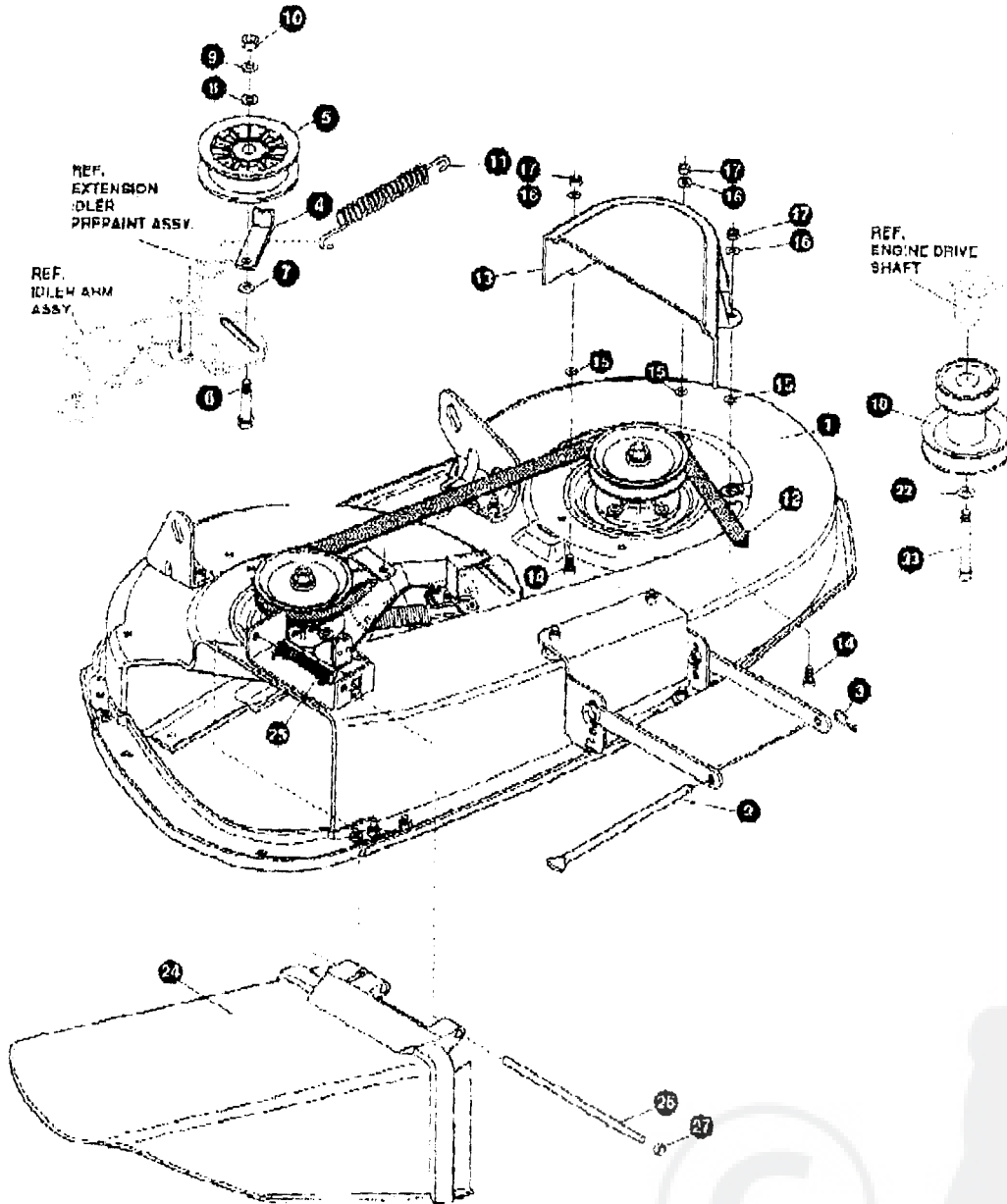
# 43" LAWN TRACTOR MODEL D3554-270

key#	part#	description	qty
1	3221-6	MOWER DECK, RIDER 43"	1
2	3264800853	TOE GUARD, MULCHER	1
3	180075	SCREW, 5/16-18X.83 HHC	1
4	1498	NUT, 5/16-18 REGHEXCTRLK	1
5	122007	SCREW, 5/16-18X.75 HHC	2
6	1498	NUT, 5/16-18 REGHEXCTRLK	2
7	317017	BRACKET CHUTE MOUNT	1
8	180075	SCREW, 5/16-18X.83 HHC	2
9	120393	WASHER, FLAT, 344X.89X.065	2
10	1498	NUT, 5/16-18 REGHEXCTRLK	2
11	325852-853	LIFT BRACKET, REAR RH	1
12	180077	SCREW, 5/16-18X.75 HHC	3
13	120393	WASHER, FLAT, 344X.89X.065	2
14	1498	NUT, 5/16-18 REGHEXCTRLK	2
15	325853-853	BRACKET, DECK LIFT REAR LH	1
16	180077	SCREW, 5/16-18X.75 HHC GR5	2
17	120393	WASHER, FLAT, 344X.89X.065	2
18	1498	NUT, 5/16-18 REGHEXCTRLK	2
19	326809-853	BRACE IDLER	1
19A	308291	SCREW, 1/4-20X1.25	1
20	180077	SCREW, 5/16-18X.75 HHC	2
22	44108	NUT, 5/16-18 WDFLCTRLK	2
23	56A24-853	QUILL ASSY, 38/39/40/43	2
24	50425	SHATTLE SADDLE 36"	1
25	40562	BRNG, BALL	1
26	50416	DUST SHIELD	1
27	55547	QUILL CASTING (1014)	1
28	40562	BRNG, BALL	1
29	50418	SPACER, 3.797LGX.009DX.880D	1
30	51449	SPACER, 4.981GX.022DX.872ID	1
31	910809	PULLEY DRIVE CHILL VSL	1
32	58365	SPECIAL WASHER	1
33	1202	NUT, 7/16-20 WDFLLK	1
34	50634	SCREW, 5/16-18X.88 WHTTAP	7
35	300390	SCREW, 5/16-18X.38 WATAP	1
36	1498	NUT, 5/16-18 REGHEXCTRLK	1
37	317040	BRACKET, LIFT	1
38	180075	SCREW, 5/16-18X.80 HHC	1
39	1498	NUT, 5/16-18 REGHEXCTRLK	4
40	58305-853	LINK BRACKET, DECK FR	1
41	58247	ADJUSTING NUT	2
42	122017	SCREW, 5/16-18X.60 HHC	2
43	1498	NUT, 5/16-18 REGHEXCTRLK	2
44	326961	BLADE, LOW-LIFT 21.70	2
45	3483	WASHER, 391DX1.25X.07 BELLVIL	6
46	30479	SCREW, 3/8-24X1.00 NYLONHC	2
47	320576-853	IDLER ARM ASSY	1
48	322116-853	IDLER ARM	1
49	41801	HIVET	2
50	306973	BRAKE PAD	1
51	304420	SHOULDER ROLT	1
52	59641A	WASHER, FLAT, 391X1.00X.125	1
53	936307	WASHER, FLAT, 391X1.00X.200	1
54	45171	NUT, 3/8-16 HWIDH WHIZ-LOCK	1
55	326240-853	BRACKET, EXTENSION IDLER	1
56	180075	SCREW, 5/16-18X.60 HHC GR.5	1
57	180083	SCREW, 5/16-18X1.50 HHC GR.5	1
58	441363	WASHER, FLAT	1
59	271184	NUT, 5/16-18 HFX KEP6	1
60	1498	NUT	2
61	321028	BLADE BRAKE ASSY	1
62	304119-853	BRAKE ARM	1
63	306973	BRAKE PAD	1
64	135674	RIVET	2
65	180075	SCREW, 5/16-18X.60	1
66	120393	WASHER, FLAT, 344X.89X.065	1
67	1498	NUT, 5/16-18 REGHEXCTRLK	1
68	314079	MOD. BRAKE	1
69	1502	NUT, 1/2-20 REGHEXCTRLK	1
70	55415	SPRING	1



# 43" LAWN TRACTOR MODEL D3554-270

## FINAL DECK ASSEMBLY



**NOTE: ALWAYS USE ORIGINAL EQUIPMENT PARTS.** Use of service/replacement parts other than original equipment parts may void your warranty.

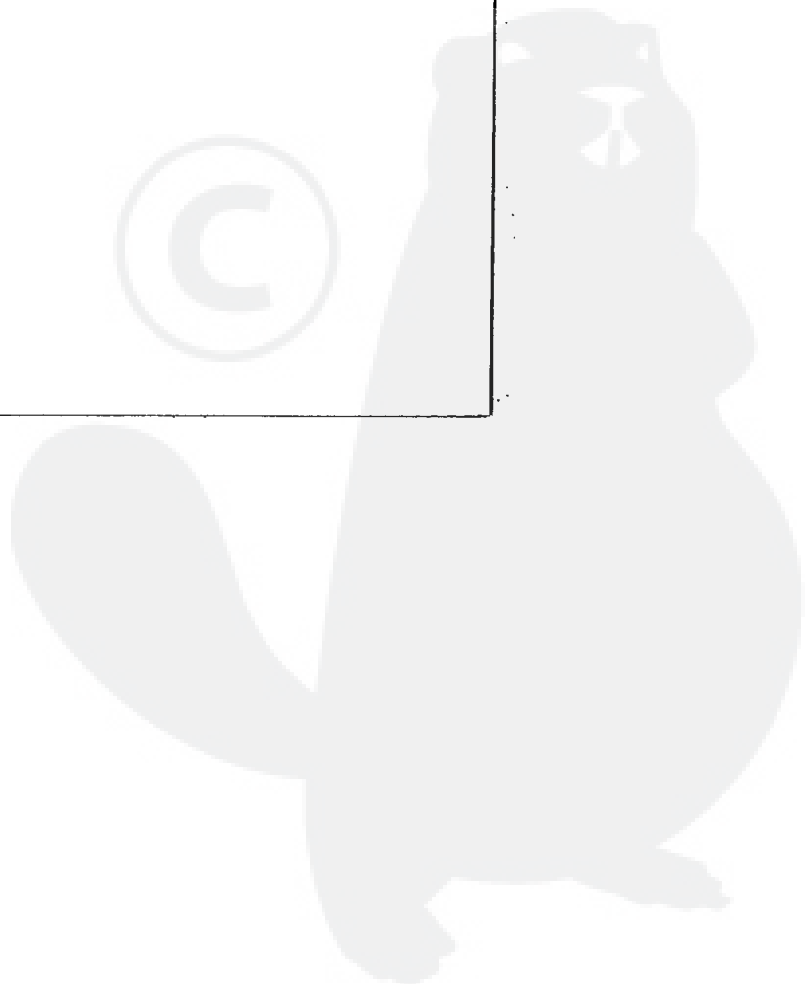
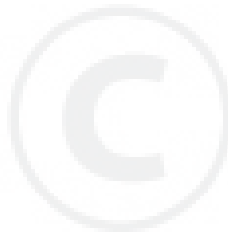
**ALL UNNUMBERED ITEMS ARE INTERCHANGEABLE WITH OPPOSITE SIDE.**

328098C

# 43" LAWN TRACTOR MODEL D3554-270

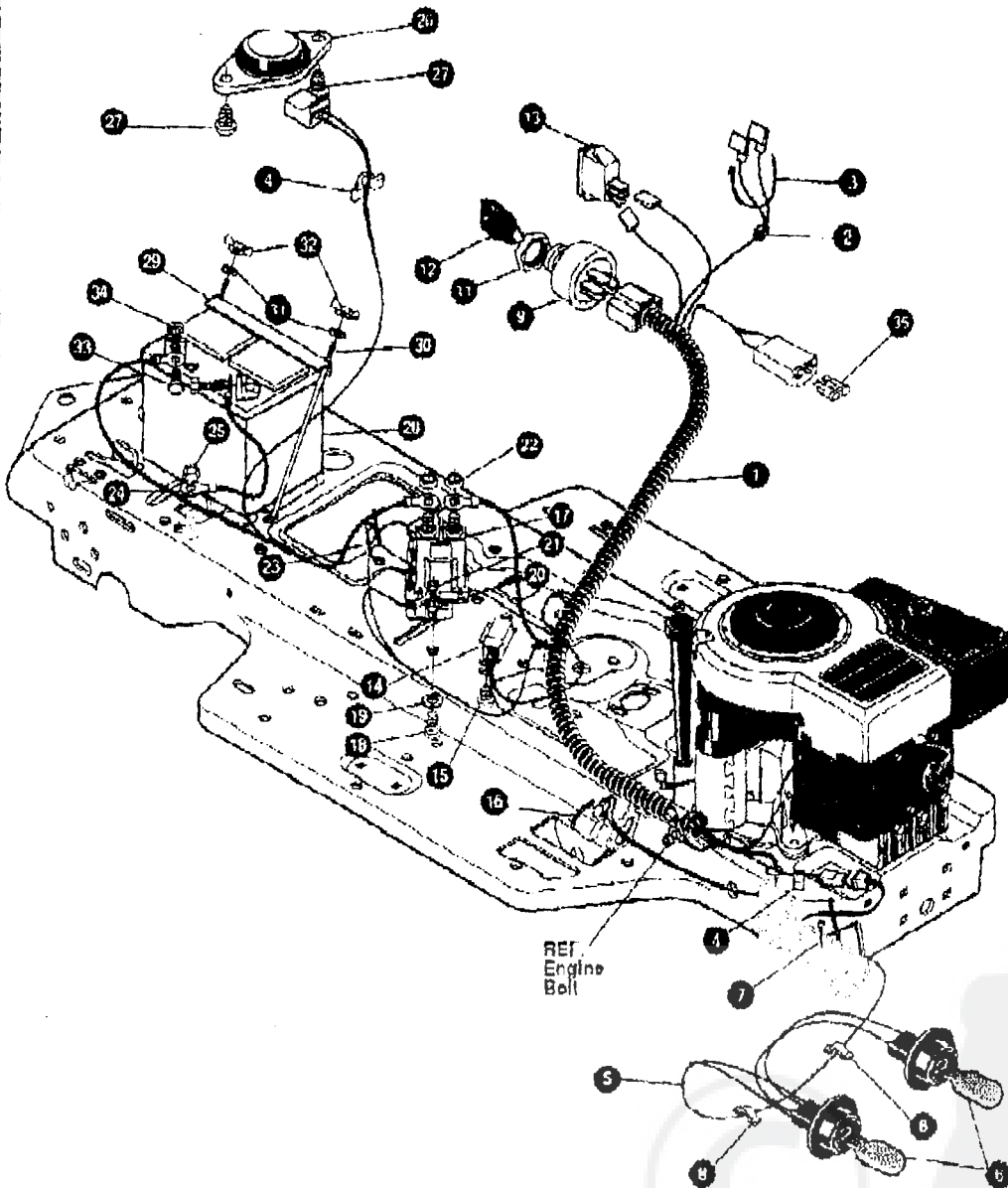
Key#	Part#	Description	Qty
1	0	DECK, 43" MOWER 2-WH BLACK 853 EXPORT	1
2	98306	ROD, DECK HITCH	1
3	8280	PIN, HAIR (W/ DIA) 1/8" 6868	1
4	1346	GUIDE, BELT, IDLER	1
5	310526	PULLEY, IDLER BFF 4.00 W/IDLER	1
6	57325	BOLT, 3/8-16X2.00 CARH	1
7	85210	WASHER, FLAT 3/8X1.25X 1/4	1
8	998367	WASHER, FLAT 3/8X1.00X 1/4	1
9	120382	WASHER, REGSPTLK	1
10	120377	NUT, 3/8-16 REG HEX	1
11	328819	SPRING 75X8.50X 1.05 TENSION	1
12	305148	BELT, V 5L 83 00	1
13	324814	GUARD, BELT I H PLASTIC	1
14	57101	CARRIAGE ROLL	3
15	309436	PUSHNUT 5/16 NON-SERVICEABLE	3
16	120393	WASHER, FLAT 5/16X 1/2X 1/8	3
17	1488	NUT, 5/16-18 REG HEX 211 K	3
18	328028	PULLEY ENGINE	1
22	120389	WASHER, REGSPTLK 458X 7/8X 1/2	1
23	433148	SCREW, 7/16-20X4.25 HMC	1
24	304422	CHUTE DEFLECTOR 40", 42", & 43"	1
25	314975	SPRING TORSION	1
26	304424	PIVOT ROD	1
27	3535	NUT, PUSH ON CAP	1

v STANDARD HARDWARE ITEMS  
 v ORDER DECK KIT #317711 FOR COMPLETE DECK



# 43" LAWN TRACTOR MODEL D3554-270

## ELECTRICAL ASSEMBLY



NOTE: ALWAYS USE ORIGINAL EQUIPMENT PARTS. Use of service/replacement parts other than original equipment parts may void your warranty.

ALL UNNUMBERED ITEMS ARE INTERCHANGEABLE WITH OPPOSITE SIDE

326872

# 43" LAWN TRACTOR MODEL D3554-270

key#	part#	description	qty.
1	025084	WIRE HARNESS SF 12BAS'G W/AMM	1
2	322308	SPLICER	1
3	57444	TIE, CABLE	1
4	41482	PRESS CLIP, 1.380LG, 265ID	2
5	353064	ASBY, LIGHT WIRE, 1/4" THRN	1
6	316823	BULB, HEADLAMP	2
7	57414	TIE, CABLE BLACK NYLON 5.62	1
8	41482	PRESS CLIP, 1.380LG, 265ID	2
9	327355	SWITCH, IGN (AFTER FIRE); 3 POSN	1
11	327352	NUT, 5/8" ACME, 10H, 1A	1
12	327350	KEY, IGNITION SWITCH STEEL	1
13	900324	LIGHT SWITCH ON/OFF PANEL MNT	1
14	57476	SWITCH, SCR MNT, PP NG NO BK K	1
15	57220	SCREW, #12 X .50 PHENHTAP BK K	2
16	326653	SWITCH SNARMNT NO. 055-116BLK	1
17	52718	SOLENOID	1
18	137745	SCREW, 1/4-20X 1/2 HXSEMMA	2
19	1084	WASHER, FLAT, PB, XI, 00X, 063PL	1
20	1502	NUT, 1/4-20 REGHEXCTRLK	2
21	271172	NUT, 1/4-20 REGHEXKEPS	2
22	271197	NUT, 5/16-24 HKEPS	2
23	57444	TIE, CABLE BLACK NYLON 5.62L	1
24	65511	WIRE, GROUND, 12.5'	1
25	271194	NUT, 5/16 18 HEXKEPS	1
26	57447	SWITCH SEAT	1
27	163506	SCREW, 1/4-20X .38PHPNHMA	2
28	302257	BATTERY, YUASA 12V 5-PLATE	1
29	324714	BATTERY BRACKET	1
30	40234	BATTERY ROD	2
31	120349	WASHER, FLAT, .281X .63X, 005	2
32	325739	WINGNUT, 1/4-20 NYLON	2
33	170854	SCREW, 1/4-20X .63 PHC	2
34	271172	NUT, 1/4-20 REGHEXKEPS	2
35	302031	FUSE, 15 AMP SPADE TYPE	1

STANDARD HARDWARE ITEMS  
 Spade type fuse included with 810 wire harness

## SCHEMATIC DRAWING

