

REPAIR PARTS MANUAL

30" - 11.5 H.P. LAWN TRACTOR

MODEL D3554-370 - 270

ONE YEAR LIMITED WARRANTY

For one (1) year from date of purchase by the first consumer for residential use (thirty (30) days commercial use), NOMA Outdoor Products Incorporated warrants that it will replace free of charge, including labor, any original part of any NOMA Outdoor Products Incorporated product found to be defective by any authorized Service Dealer or the factory, except the battery which is warranted for ninety (90) days from date of purchase.

This warranty does not cover engine, transmission, transaxle or differential (these items are covered by their manufacturer's own warranty). This warranty does not cover parts that have failed due to normal wear or parts that have failed subject to misuse or abuse. Transportation of the unit or part to and from an authorized Service Dealer or factory is the responsibility of the owner.

A step by step explanation as to what procedure should be followed for this warranty is:

1. If a part becomes defective, contact the store where the unit was purchased for the name and address of the authorized Service Dealer nearest to you.
2. If you cannot locate an authorized Service Dealer, write Service Department of NOMA Outdoor Products Incorporated for the name and address of the authorized Service Dealer in your area or call the Service Department at 1-901-422-1690.
3. Return the defective product, along with proof of purchase to such authorized Service Dealer for replacement of any defective part where covered by this warranty.

There is no other express warranty. Implied warranties, including those of merchantability and fitness for a particular purpose are limited to one (1) year from date of purchase. Liability for incidental or consequential damages are excluded.

Some states do not allow limitations on how long an implied warranty lasts, so the above limitation may not apply to you. Some states do not allow the exclusion of incidental or consequential damages, so the above exclusion may not apply to you. This warranty gives you specific legal rights, and you may have other rights which vary from state to state.

NOMA Outdoor Products Incorporated

Caller 8000

Jackson, TN 38308-8000

UNIT PARTS AND SERVICE

Fill in and mail the registration card packed with the unit. For service other than covered in this manual, contact an authorized service dealer. A nationwide parts and service organization has been established to provide locally available parts and service. A list of authorized parts distributors has been included in this manual. When ordering repair parts, always give the following information: 1. The Part Name; 2. The Part Number; 3. The Quantity desired; 4. The Full (eight digit) Model Number of the unit. The model number will be found on a plate attached to the unit.

Look for this symbol.



It means - ATTENTION! BECOME ALERT! A HAZARD TO OPERATOR, BYSTANDER, PROPERTY OR EQUIPMENT MAY EXIST.

NOMA Outdoor Products Incorporated

Caller 8000

Jackson, TN 38308-8000

Part No. 329821

329821

4/93



SAFETY RULES

THESE INSTRUCTIONS ARE FOR YOUR PROTECTION. PLEASE READ THEM CAREFULLY.



IMPORTANT

THIS CUTTING MACHINE IS CAPABLE OF AMPUTATING HANDS AND FEET AND THROWING OBJECTS. FAILURE TO OBSERVE THE FOLLOWING SAFETY INSTRUCTIONS COULD RESULT IN SERIOUS INJURY OR DEATH.

I. GENERAL OPERATION:

- Know controls and how to stop quickly.
- Read, understand, and follow all instructions in the manual and on the machine before starting.
- Only allow responsible adults, who are familiar with instructions, to operate the machine.
- Wear safety glasses or eye shields when assembling or operating the machine.
- Do not operate machine when barefooted. Always wear substantial footwear, preferably steel-toed shoes.
- Do not wear loose fitting clothing that could get caught in moving parts.
- Clear the area of objects such as rocks, toys, wire, etc., which could be picked up and thrown by the blade(s).
- Be sure the area is clear of other people before mowing. Stop machine if anyone enters the area.
- Never carry passengers.
- Do not mow in reverse unless absolutely necessary. Always look down and behind before and while backing.
- Be aware of the mower discharge direction and do not point it at anyone. Do not operate the mower without either the entire grass catcher or the guard in place.
- Slow down before turning.
- Never leave a running machine unattended. Always turn off blades, set parking brake, stop engine, and remove keys before dismounting.
- Turn off blade(s) when not mowing.
- Stop engine before removing grass catcher or unclogging chute.
- Mow only in daylight or good artificial light.
- Do not operate the machine while under the influence of alcohol or drugs.
- Watch for traffic when operating near or crossing roadways.
- Use care when mowing around a fixed object to prevent the blade(s) from striking it. Never deliberately run over any foreign object.
- Use extra care when loading or unloading the machine into a trailer or truck.
- Use care when pulling loads or using heavy equipment.
 - a. Use only approved drawbar hitch points.
 - b. Limit loads to those that you can safely control.
 - c. Do not turn sharply. Use care when backing.
 - d. Use counterweight(s), wheel weight or tire chains when suggested in attachment(s) instructions.

II. SLOPE OPERATION:

Slopes are a major factor related to loss-of-control and tip-over accidents, which can result in severe injury or death. *All slopes require extra caution.* If you cannot back up the slope or if you feel uneasy on it, do not mow it.

DO

- Mow up and down slopes, not across.
- Remove obstacles such as rocks, tree limbs, etc.
- Watch for holes, ruts, or bumps. Uneven terrain could overturn the machine. *Tall grass can hide obstacles.*
- Use slow speed. Choose a low gear so that you will not have to stop or shift while on the slope.
- Follow the manufacturer's recommendations for wheel weights or counterweights to improve stability.
- Use extra care with grass catchers or other attachments. These can change the stability of the machine.
- Keep all movement on the slopes *slow and gradual*. Do not make sudden changes in speed or direction.
- Avoid starting or stopping on a slope. If tires lose traction, turn off the blade(s) and proceed slowly *straight* down the slope.

DO NOT

- Do not turn on slopes unless necessary, and then slowly and gradually downhill, if possible.
- Do not mow near drop-offs, ditches or embankments. The

mower could suddenly turn over if a wheel is over the edge of a cliff or ditch, or if an edge caves in.

- Do not mow on wet grass. Reduced traction could cause sliding.
- Do not try to stabilize the machine by putting your foot on the ground.
- Do not use grass catcher on steep slopes.

III. CHILDREN:

Tragic accidents can occur if the operator is not alert to the presence of children. Children are often attracted to the machine and the mowing activity. *Never* assume that children will remain where you last saw them.

- Keep children out of the mowing area and under the watchful care of another responsible adult.
- Be alert and turn machine off if children enter the area.
- Before and when backing, look behind and *down* for small children.
- Never carry children. They may fall off and be seriously injured or interfere with safe machine operation.
- Never allow children to operate the machine.
- Use extra care when approaching blind corners, shrubs, trees, or other objects that may obscure vision.

IV. SERVICE:

- Use extra care in handling gasoline and other fuels. They are flammable and vapors are explosive.
 - a. Use only an approved container.
 - b. Never remove gas cap or add fuel with the engine running. Allow engine to cool before refueling. Do not smoke.
 - c. Never refuel the machine indoors.
 - d. Never store the machine or fuel container inside where there is an open flame, such as in a water heater.
- Check fuel supply before each use allowing space for expansion as the heat of the engine and/or sun can cause gasoline to expand and overflow the tank.
- Use extra care when handling battery acid. Acid contact with skin may cause severe burns. Eye contact may cause blindness.
- Use extra care when servicing the battery. Explosive gas is produced in the battery. Do not service the battery while smoking or near an open spark or flame. This may cause the battery to explode causing serious injury.
- Never run a machine inside a closed area. Exhaust fumes contain CARBON MONOXIDE, an ODORLESS and DEADLY GAS.
- Keep nuts and bolts, especially blade attachment bolts, tight and keep equipment in good condition.
- Never tamper with safety devices. Check their operation regularly.
- Do not change the engine governor settings or overspeed engine.
- Reduce fire hazards. Keep machine free of grass, leaves, or other debris build-up. Clean up oil or fuel spillage. Allow machine to cool before storing.
- Stop and inspect the equipment if you strike an object. Repair, if necessary, before restarting.
- Never make adjustments or repairs with the engine running.
- Grass catcher components are subject to wear, damage, and deterioration, which could expose moving parts or allow objects to be thrown. Frequently check components and replace with manufacturer's recommended parts, when necessary.
- Mower blade(s) are sharp and can cut. Wrap the blade(s) or wear gloves, and use extra caution when servicing them.
- Check brake operation frequently. Adjust and service as required.



LOOK FOR THIS SYMBOL TO POINT OUT IMPORTANT SAFETY PRECAUTIONS. IT MEANS-- ATTENTION!!! BECOME ALERT!!! YOUR SAFETY IS INVOLVED.

OWNER'S INFORMATION

Record the following information about your unit so that you will be able to provide it in case of loss or theft.

MODEL NUMBER: - (Enter complete 8 digit number from model plate on unit)

PURCHASE DATE: / / CODE NO.: SERIAL NO.:

DEALER'S NAME AND ADDRESS:

CITY: STATE: TELEPHONE:

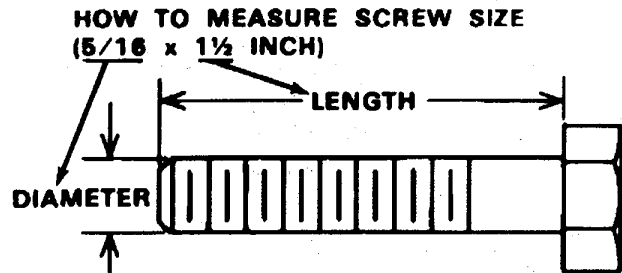
CONTENTS OF SHIPPING CARTON

- 1 - Lawn Tractor with 30 inch Mower Deck
- 1 - Operator's Manual
- 1 - Repair Parts Manual
- 1 - Engine Manual
- 1 - Steering Wheel (see Note)
- 1 - Seat (see Note)
- 1 - Bag of Assembly Parts Containing (see Note):
 - 4 - 5/16 x 3/4 inch Hex Head Screws
 - 4 - 5/16 inch Split Lockwashers
 - 4 - 11/32 inch Flatwashers
 - 1 - Roll Pin
 - 1 - Cover, Steering Shaft
 - 1 - Spacer, Steering Shaft

NOTE: Refer to page 28 (Customer Assembly Parts) for more detailed description.

TOOLS REQUIRED FOR ASSEMBLY

- 2 - 7/16 inch Wrenches (or adjustable wrench)
- 1 - 1/2 inch Wrench (or adjustable wrench)
- 1 - Small Phillips Screwdriver with a 1/4 inch shank
- 1 - Hammer



DANGER



This lawn tractor can be dangerous if carelessly used.

Read your Operator's Manual thoroughly before operating your lawn tractor.

Always wear safety glasses or eye shields while assembling or operating your lawn tractor.

DO NOT carry passengers at any time.

Keep your hands, feet, hair and loose clothing away from the discharge area, the underside of the mower deck or any moving parts while the engine is running.

DO NOT allow children or young teenagers to operate or be near your lawn tractor while it is operating.

ALWAYS GIVE THE FOLLOWING INFORMATION WHEN ORDERING REPAIR PARTS:

1. The PART NUMBER; 2. The PART NAME; 3. QUANTITY DESIRED; 4. The MODEL NUMBER (As shown on Model Plate).

SEND PART ORDERS AS PER INSTRUCTIONS ON THE FRONT PAGE.

DO NOT USE KEY NUMBERS WHEN ORDERING REPAIR PARTS, ALWAYS USE PART NUMBERS.

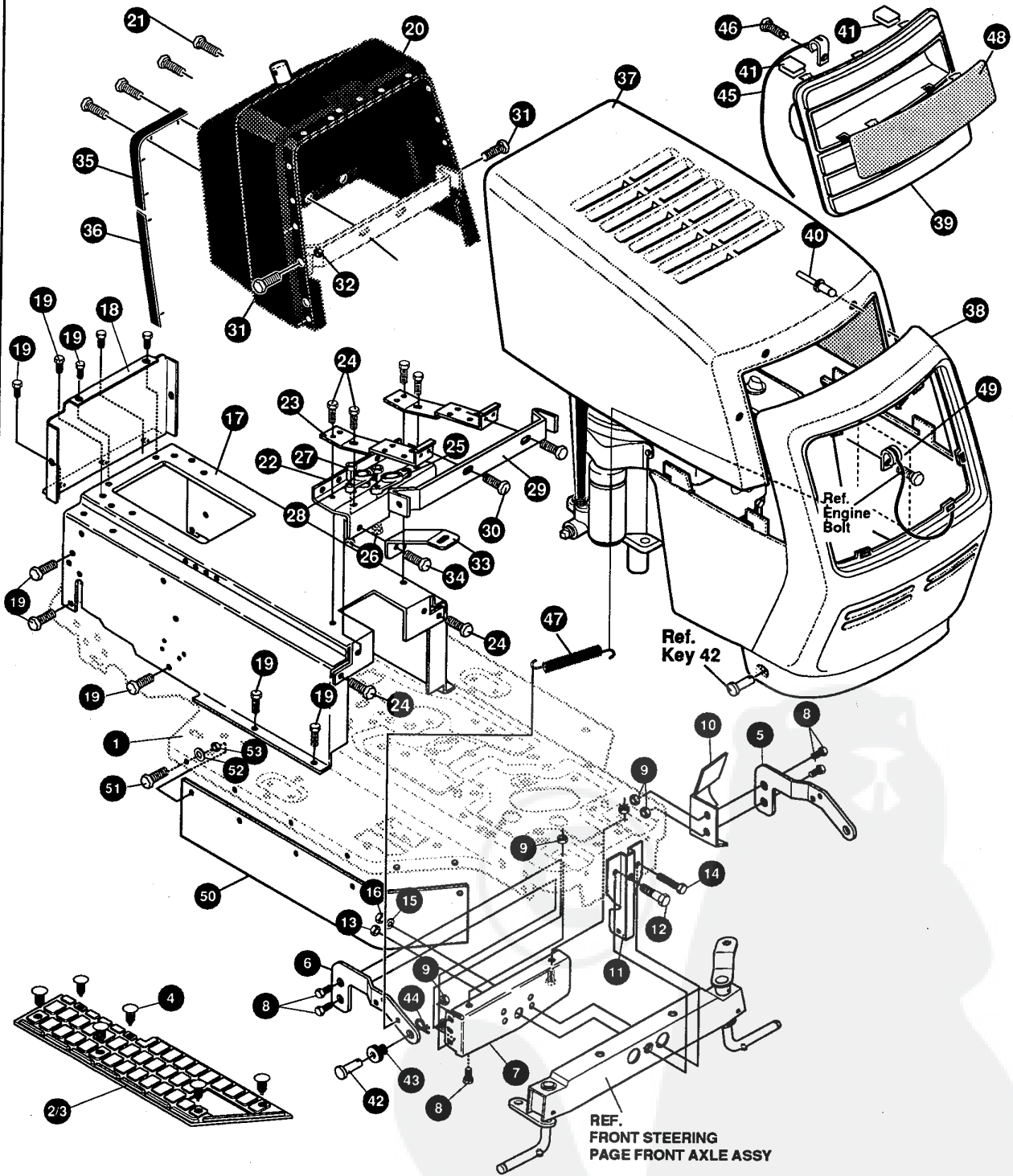
All replacement parts will be supplied in current production colors or in a neutral color.

A handling fee is applicable to small parts orders.

YOUR UNIT IS RIGHT HAND (RH) OR LEFT HAND (LH) AS YOU STAND BEHIND IT.

30" LAWN TRACTOR MODEL D3554-370

CHASSIS & HOOD ASSEMBLY



NOTE: ALWAYS USE ORIGINAL EQUIPMENT PARTS. Use of service/replacement parts other than original equipment parts may void your warranty.

ALL UNNUMBERED ITEMS ARE INTERCHANGEABLE WITH OPPOSITE SIDE

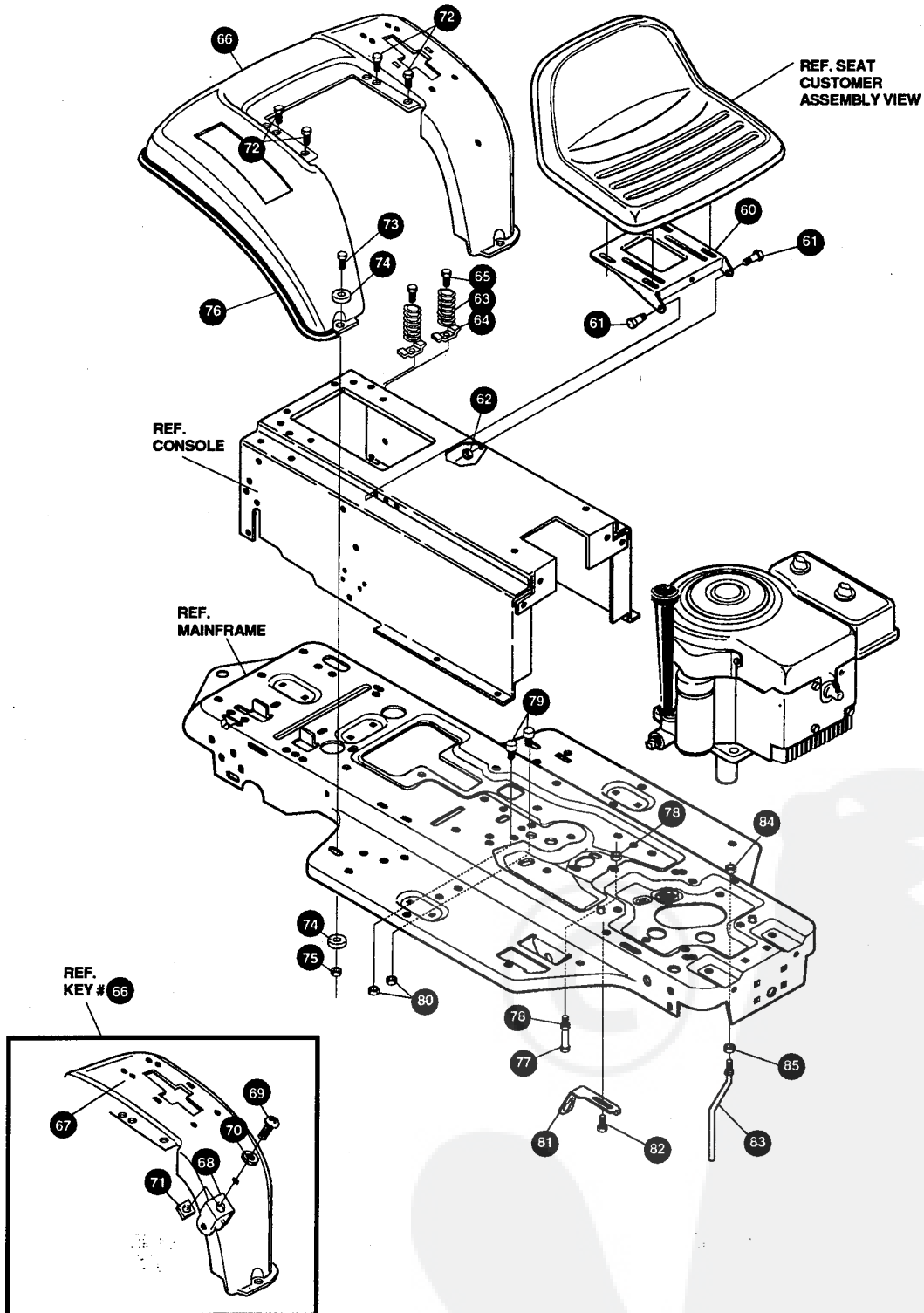
329120A

30" LAWN TRACTOR MODEL D3554-370

KEY#	PART#	DESCRIPTION	QTY.
1.	328885-879	FRAME, MAIN SF RIDER	1
2.	326731	FOOT PAD, LH	1
3.	310004	FOOT PAD, RH	1
4.	309235	FASTENER, RATCHET	12
5.	326873-853	MP BRACKET, GRILLE LH H-25	1
6.	326874-853	MP BRACKET, GRILLE RH H-25	1
7.	56362-853	MF BRKT, SUPPORT, FRONT AXLE	1
8.	328154	SCREW, 5/16-18X1.0WDFLLK	6
9.	55273	NUT, 5/16-18 HXWDFLLK	6
10.	312908	MP SHIELD, HEAT 11&12BS&TEC	1
11.	180016	SCREW, 1/4-20X .50 HHC	2
12.	311245	WASHER, FLAT .250X .75X INSULATE	2
13.	51335	NUT, 1/4-20 WDFLWHIZ-LK	2
14.	50720	BOLT, .625X2.875 SPSH 1/2-20	1
15.	274654	NUT, 1/2-20 REGHXCTRLK	1
16.	122201	SCREW, 3/8-16X2.75 HHC	2
17.	2483	WASHER, .391DX1.25DX.07 BELLVIL	2
18.	1499	NUT, 3/8-16 REGHXCTRLK	2
19.	324996-830	CONSOLE	1
20.	56235-830	CONSOLE, REAR COVER	1
21.	995346	SCREW, 1/4-20X .50 WAHTAP	15
22.	325766-630	DASH, W/O AMP, W/O CHOKE	1
23.	305850	SCREW, 1/4-20X.50PHPNTAPGR5BK	4
24.	327583	SUPPORT, SF MLD DSH	1
25.	327584	SUPPORT, SF MLD DSH GAS TANK	2
26.	995346	SCREW, 1/4-20X .50 WAHTAP	6
27.	327444	BRNG, FL .755ID, .226	1
28.	120518	BOLT, 1/4-20X .75 CARR	2
29.	1502	NUT, 1/4-20 REGHEXCTRLK	2
30.	327390	BRNG, FL .560ID, .228	1
31.	327078	STRAP, DASH SUPPORT	1
32.	995346	SCREW, 1/4-20X .50 WAHTAP	2
33.	1502	NUT, 1/4-20 REGHEXCTRLK	2
34.	155941	SCREW, 10-24X.63 PHFLTMA	2
35.	308459	NUT, #10-24 HXHDNYLK	2
36.	328924	CONSOLE SUPPORT BRKT	1
37.	995346	SCREW, 1/4-20X.50	2
38.	328141	BUMPER, HOOD/DASH TOP & CORNER	2
39.	328142	BUMPER, HOOD/DASH SIDE STRIP	2
40.	329145-679	HOOD, H25 LF/SF, MOLDED, LOUVERS	1
41.	329178-679	'K' GRILLE	1
42.	329144-630	INSERT, GRILLE 'K' STYLE	1
43.	329238	RIVET, POP 3/16DIA X .75 LG FLG	4
44.	306857	CLIP, TINNEMAN VER II HOOD	7
45.	323044	PIN, CLEVIS .500 X .49/.51 LGTH	2
46.	326522	BRNG HOOD .5051DX.625ODX1.12FL	2
47.	8260	PIN, HAIR .091 DIA X 1.66LG	2
48.	311094	LANYARD, HOOD 11.75LG H15 VANG.	1
49.	120380	WASHER, REGSPTLK.263X.49X.07	1
50.	49050	SCREW, 1/4-10X .75PHPNTAPGR2BK	1
51.	325194	LENS, G22 'K' STYLE	1
52.	301452	FOIL, HEAT REFLECTOR	1
53.	329821	PARTS MANUAL	1
54.	329593	OPERATOR'S MANUAL (GERMAN)	1
57.	323000	GRASS CATCHER MANUAL (ENGLISH)	1
58.	323207	GRASS CATCHER MANUAL (FRENCH)	1
59.	323208	GRASS CATCHER MANUAL (GERMAN)	1

30" LAWN TRACTOR MODEL D3554-370

CHASSIS & HOOD ASSEMBLY



NOTE: ALWAYS USE ORIGINAL EQUIPMENT PARTS. Use of service/replacement parts other than original equipment parts may void your warranty.

ALL UNNUMBERED ITEMS ARE INTERCHANGEABLE WITH OPPOSITE SIDE

329120A

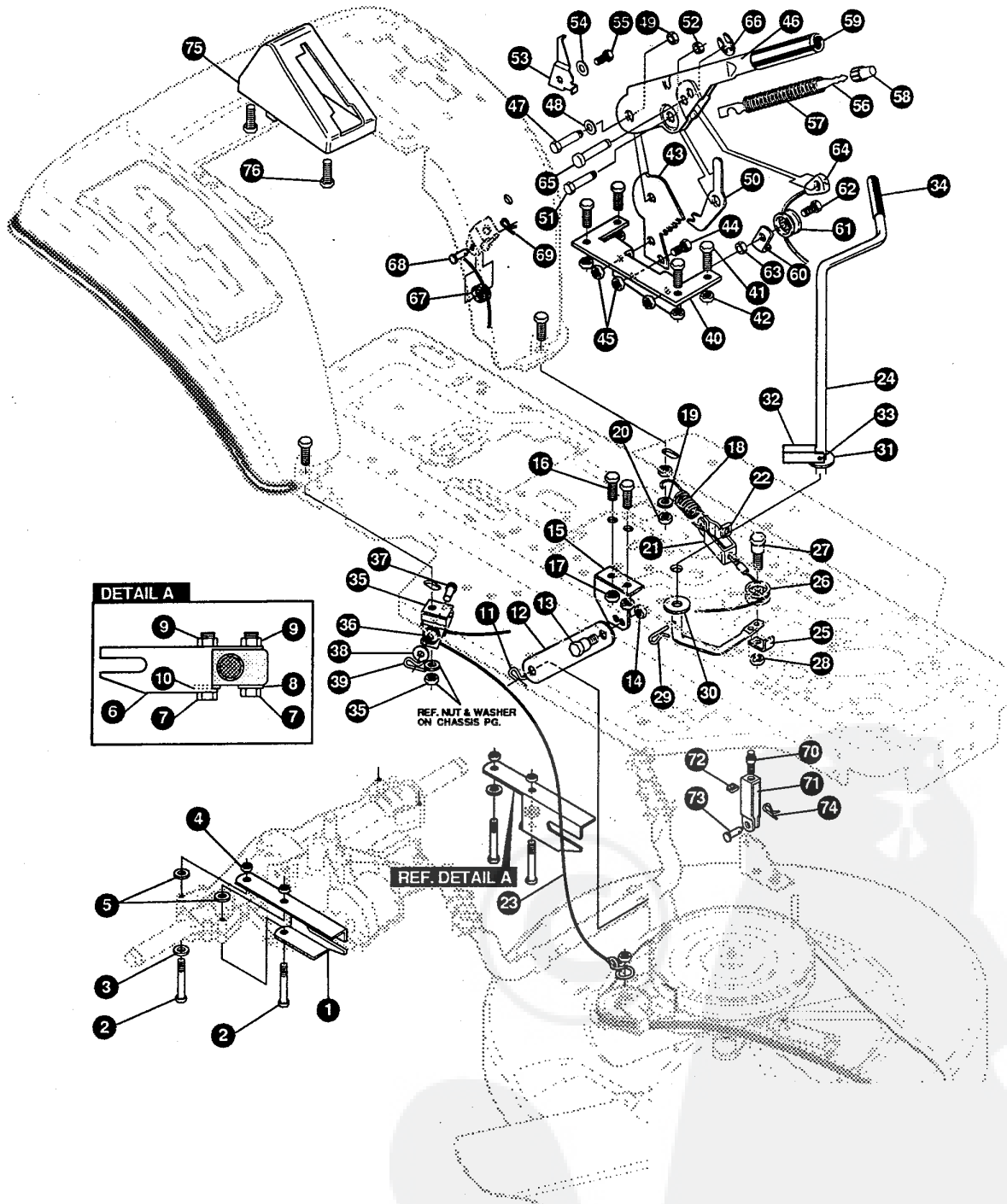
30" LAWN TRACTOR MODEL D3554-370

KEY#	PART#	DESCRIPTION	QTY.
60.	58367-879	PLATE,SEAT F5 SF,LF	1
61.	20507	BOLT, .437X .156 HSSH 5/16-18	2
62.	1498	NUT, 5/16-18 REGHEXCTRLK	2
63.	56220	SPRING,1.43X2.38X.162 COM SEAT	2
64.	300284	CLAMP, SPRING 1.17"ID	2
65.	995346	SCREW, 1/4-20X .50 WAHHTAP	2
66.	309421-879	FENDER F-5 SF FNDR SHIFT	1
67.	995346	SCREW, 1/4-20X .50 WAHHTAP	4
68.	122027	SCREW, 5/16-18X1.25 HHC	2
69.	446363	WASHER, FLAT .375X .88X.082	4
70.	1498	NUT, 5/16-18 REGHEXCTRLK	2
71.	55023	TRIM,STRIP,BLACK—SMALL,W/ ADH	75
72.	427342	SCREW, 3/8-16X6.50 HHC	1
73.	1499	NUT, 3/8-16 REGHXCTRLK	2
74.	53446	PIN, 5/16-18 HOOD LATCH	2
75.	271184	NUT, 5/16-18 HEXKEPS	2
76.	302610-853	BRACKET,SWITCH MOUNTING	1
77.	995346	SCREW, 1/4-20X .50 WAHHTAP	1
78.	50653	GUIDE, BELT	1
79.	41529	NUT, 3/8-16 HXCTRLKJAM GRD B,Z	1
80.	271190	NUT, 3/8-16 HEXKEPS	1



30" LAWN TRACTOR MODEL D3554-370

MOWER SUSPENSION



NOTE: ALWAYS USE ORIGINAL EQUIPMENT PARTS. Use of service/replacement parts other than original equipment parts may void your warranty.

ALL UNNUMBERED ITEMS ARE INTERCHANGEABLE WITH OPPOSITE SIDE

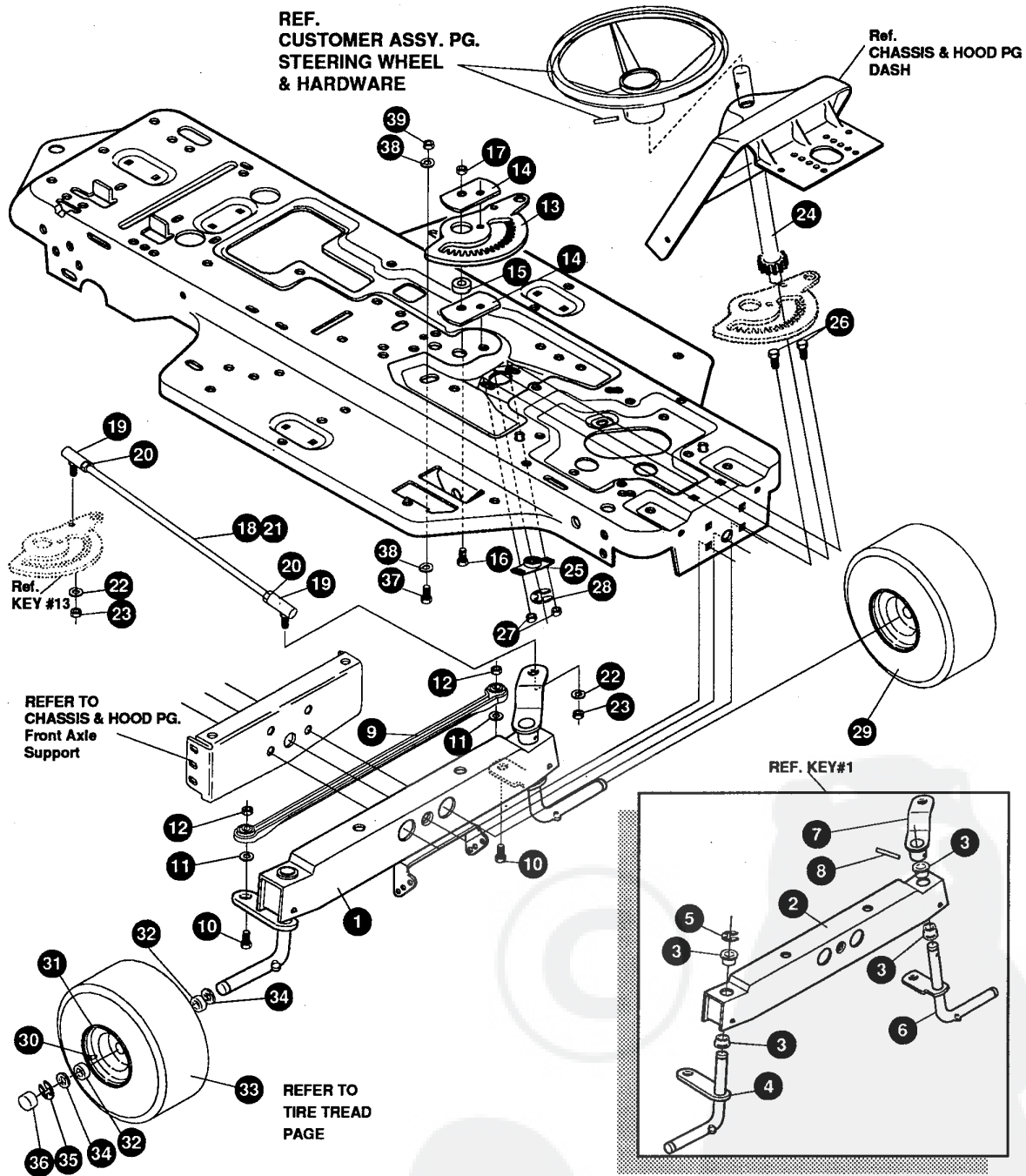
329128A

30" LAWN TRACTOR MODEL D3554-370

KEY#	PART#	DESCRIPTION	QTY.
1	321371	BRACKET REAR SUPPORT, RH	1
2	122083	SCREW, 5/16-18X2.75 HHC GR2	2
3	120393	WASHER, FLAT .344X.69X.065	1
4	1498	NUT, 5/16-18 REGHEXCTRLK	2
5	314702	SPACER SLEEVE .344X1.00X.500	2
6	321370	BRACKET REAR SUPPORT, LH	1
7	122083	SCREW, 5/16-18X2.75 HHC	2
8	120393	WASHER, FLAT .344X.69X.065	1
9	1498	NUT, 5/16-18 REGHEXCTRLK	2
10	314702	SPACER, SLEEVE .344X1.00X.500	1
11	56180	PIN, HAIR .091 DIA X 1.62 LG	1
12	323899	BRACKET, LIFT BAR	1
13	313560	BOLT, .500X.225 HSSH 5/16-18	1
14	1498	NUT, 5/16-18 REGHEXCTRLK	1
15	320605	BRACKET, LIFT BAR	1
16	180077	SCREW, 5/16-18X.75 HHC	2
17	1498	NUT, 5/16-18 REGHEXCTRLK	2
18	300473	SPRING TENSION 7.52LG+17LB/IN	1
19	418924	WASHER FLAT .344 X 1.13 X .062	1
20	1498	NUT, 5/16-18 REGHEXCTRLK	1
21	9405	CLEVIS, LIFT CABLE	1
22	120372	NUT, 1/4-20 REGSQ	1
23	322261	CABLE CLUTCH	1
24	328139	LEVER, CLUTCH ZINC	1
25	1288	BRACKET, CABLE RETAINER	1
26	48306	PULLEY POWDER METAL	1
27	58336	BOLT, .375X.375 HSSH	1
28	1502	NUT, 1/4-20 REGHEXCTRLK	1
29	8260	PIN, HAIR .091 DIA 1.66	1
30	996425	WASHER, FLAT .515X.88X.064	1
31	22265	WASHER, FLAT .515X1.38X.119	1
32	305225	LF STOP PTO ENGAGEMENT	1
33	326386	PIN, SPRING .187DIA X 1.13 HD	1
34	46478	GRIP, HAND	1
35	321295-853	CLEVIS, PTO	1
36	48306	PULLEY, POWDER METAL	1
37	300317	PIN, CLEVIS	1
38	996416	WASHER, FLAT .391X1.00X.125	1
39	8260	PIN, HAIR .091DIA X 1.66 LG	1
40	313926	BRACKET HEIGHT ADJUST	1
41	180077	SCREW, 5/16-18X.75 HHC	4
42	1498	NUT, 5/16-18 REGHEXCTRLK	4
43	301238	QUADRANT, HEIGHT ADJUST	1
44	180077	SCREW, 5/16-18X.75 HHC	2
45	1498	NUT, 5/16-18 REGHEXCTRLK	2
46	322292-853	HANDLE, LIFT HEIGHT ADJUST	1
47	300171	BOLT, .500X.270HSSH 5/16-18	1
48	996418	WASHER, FLAT .506X.75X.024	1
49	44108	NUT, 5/16-18 HWDPLCTRLK	1
50	301239	PAWL, HEIGHT ADJUST	1
51	300171	BOLT, .500X.270 HSSH 5/16-18	1
52	44108	NUT, 5/16-18 HWDPLCTRLK	1
53	9435	POINTER, HEIGHT ADJUST	1
54	138479	WASHER, EXLK .195X.41X.03	1
55	35287	SCREW, #8-32X.38 HHWATAPGR2	1
56	303027	ROD, ACTUATOR SHORT	1
57	58326	SPRING HEIGHT ADJUST	1
58	58325	KNOB, HEIGHT PUSH BUTTON	1
59	58329	GRIP, .750 OD W/HOLE BLACK	1
60	9149	BRACKET, CABLE RETAINER	1
61	48306	PULLEY, POWDER METAL	1
62	58336	BOLT, .375X.375 HSSH 1/4-20	1
63	1502	NUT, 1/4-20 REGHEXCTRLK	1
64	321430	CABLE, LIFT 20.50	1
65	300310	PIN, CLEVIS	1
66	300311	RING, RET E	1
67	48306	PULLEY, POWDER METAL	1
68	300317	PIN, CLEVIS .38 DIA X .81	1
69	8260	PIN, HAIR	1
70	120375	NUT, 1/4-20 REGHEX	1
71	9405	CLEVIS, LIFT CABLE	1
72	120372	NUT, 1/4-20 REGSQ	1
73	39522	PIN, CLEVIS .312X.812	1
74	121222	PIN, COTTER	1
75	300335	LIFT COVER-39" F5	1
76	300340	SCREW, #10 X .75 HH PLAST	3

30" LAWN TRACTOR MODEL D3554-370

STEERING ASSEMBLY



NOTE: ALWAYS USE ORIGINAL EQUIPMENT PARTS. Use of service/replacement parts other than original equipment parts may void your warranty.

ALL UNNUMBERED ITEMS ARE INTERCHANGEABLE WITH OPPOSITE SIDE

326426C

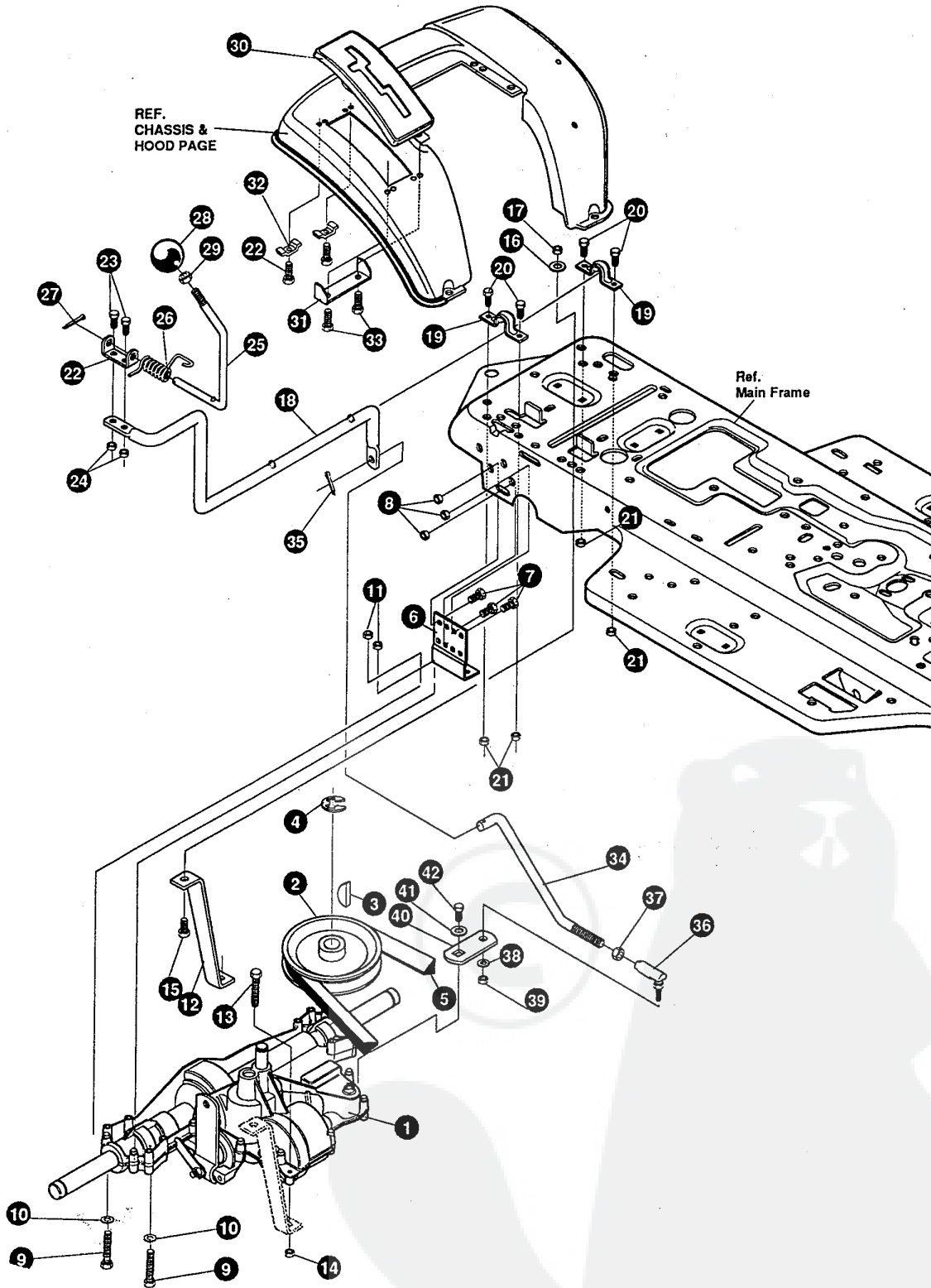
30" LAWN TRACTOR MODEL D3554-370

key#	part#	description	qty.
1.	*	FRONT AXLE ASSEMBLY SF	1
2.	56400	AXLE FRONT	1
3.	50546	BEARING FLANGE	4
4.	310368	SPINDLE,RH	1
5.	36625	RING,RETEX	1
6.	310367	SPINDLE,LH	1
7.	327620	ARM,ASSY, SF 4WS FRT. STEER	1
8.	454565	PIN,SPRING	1
9.	302688	TIE ROD	1
10.	• 122145	SCREW, 3/8-16X1.25 HHC	2
11.	120382	WASHER, .393X.68X.10 REGSPTLK	2
12.	• 1499	NUT, 3/8-16 REGHCTRLK	2
13.	324752	SECTOR GEAR	1
14.	327833	PLATE, SECTOR	2
15.	324753	BUSHING, SECTOR	1
16.	180124	SCREW, 3/8-16X1.25 GRD 5	1
17.	1499	NUT 3/8-16 REGHX CTRLK	1
18.	328808	DRAG LINK ASSEMBLY	1
19.	57158	BALL JOINT	2
20.	• 124925	NUT, 3/8-24 REGHEXJAM	2
21.	56190	DRAG LINK	1
22.	• 120382	WASHER, EGSPTLK	2
23.	120369	NUT, 3/8-24 REGHEX	2
24.	327395	STEERING SHAFT	1
25.	325692	BRNG FLANGE	1
26.	326505	SCR 1/4-20X.75	2
27.	46931	NUT 1/4-20 WDFLLK SIDE LOCK	2
28.	20864	RING,RETEX .39X.04TRU5133	1
29.	*	ASSEMBLY, TIRE & RIM	2
30.	24167	VALVE STEM	1
31.	39937	WHEEL W/BEARING	1
32.	39979	BEARING, 1.380DX.753ID FLANGE	2
33.		REFER TO TIRE TREAD PAGE	
34.	642	WASHER,FLAT .755X1.31X.075	4
35.	36625	RING,RETEX .57X.05	2
36.	40394	HUB CAP	2
37.	122145	SCREW, 3/8-16X1.25	1
38.	120394	WASHER, FLAT	2
39.	44374	NUT, 3/8-16 HXWDFLLK	1

* ORDER INDIVIDUAL PARTS.
 • STANDARD HARDWARE ITEMS

30" LAWN TRACTOR MODEL D3554-370

MOTION DRIVE ASSEMBLY



NOTE: ALWAYS USE ORIGINAL EQUIPMENT PARTS. Use of service/replacement parts other than original equipment parts may void your warranty.

ALL UNNUMBERED ITEMS ARE INTERCHANGEABLE WITH OPPOSITE SIDE

328588A

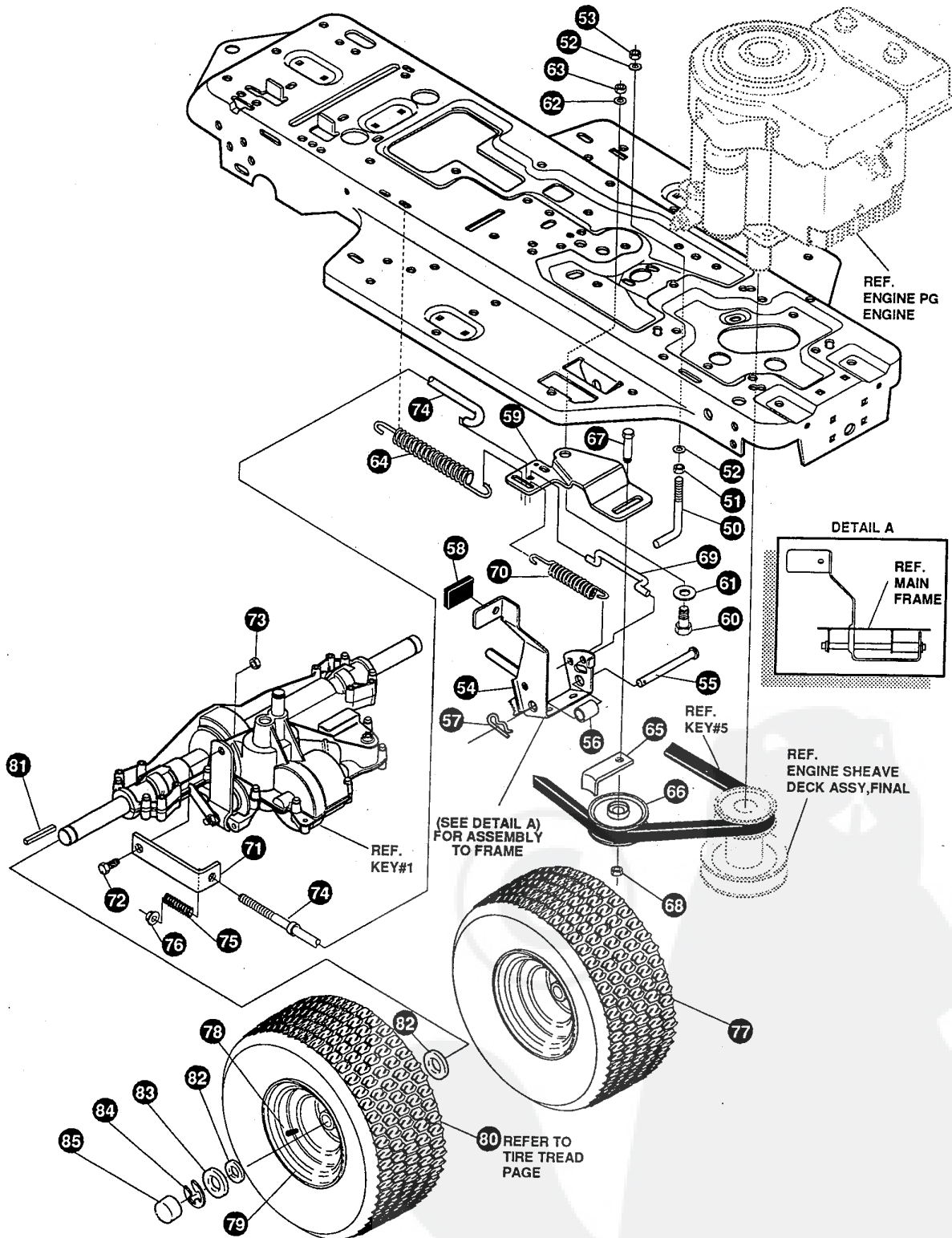
30" LAWN TRACTOR MODEL D3554-370

KEY#	PART#	DESCRIPTION	QTY.
1.	^	TRANSAXLE P940-5SP SF FER	1
2.	302745	PULLEY, IDLER V4L 6.60X	1
3.	3021	KEY, WDRF 606 .750X.187X.312	1
4.	22053	RING, RETEX .58X.035TRU5100-62	1
5.	54758	BELT, V 4L 82.00 SF DRIVE	1
6.	53768-853	MP BRACKET, TRANSAXLE	2
7.	180075	SCREW, 5/16-18X .63 HHC GR2	6
8.	1498	NUT, 5/16-18 REGHEXCTRLK	6
9.	180089	SCREW, 5/16-18X2.25 HHC GR5	4
10.	120393	WASHER, FLAT .344X .69X.065	4
11.	1498	NUT, 5/16-18 REGHEXCTRLK	4
12.	313587	MF BRACKET, T/A TORQ. 915 S/F	1
13.	180087	SCREW, 5/16-18X2.00 HHC GR5	1
14.	1498	NUT, 5/16-18 REGHEXCTRLK	1
15.	122017	SCREW, 5/16-18X1.00 HHC GR2	1
16.	138485	WASHER, EXLK .320X.61X.03	1
17.	1498	NUT, 5/16-18 REGHEXCTRLK	1
18.	321849	LEVER, SHIFT LOW SF FNSFT 940	1
19.	302760	MS, MF CLAMP .625DIA	2
20.	180075	SCREW, 5/16-18X .63 HHC GR5	4
21.	1498	NUT, 5/16-18 REGHEXCTRLK	4
22.	310356	BRACKET, PIVOT SHIFT LEVER LFSF	1
23.	180018	SCREW, 1/4-20X .62 HHC GR5	2
24.	1502	NUT, 1/4-20 REGHEXCTRLK	2
25.	309635	LEVER, SHIFT UPPER SOF 1/2-13	1
26.	310265	SPRING, TORS. .56X.95X.095	1
27.	137185	PIN, COTTER .125 DIA X1.00LG	1
28.	306690	HANDLE 1/2-13 MOLDED BLK	1
29.	120238	NUT 1/2-13 HEX JAM	1
30.	311209	COVER PLASTIC LF P930/F4360-6	1
31.	311257-853	BRACKET COVER F-5 FNDR SHIFT	1
32.	1341	ML CLAMP, SPRING 1.17"ID	2
33.	311331	SCREW, 1/4-15X.44/.53 HILOHWA	4
34.	321844	ROD, CONNECTING, SHIFT ZINC	1
35.	137185	PIN, COTTER .125 DIA X1.00LG	1
36.	57158	BALL JOINT 3/8 THD SHORT STUD	1
37.	124925	NUT, 3/8-24 REGHEXJAM	1
38.	120382	WASHER, REGSPTLK.393X.68X.10	1
39.	120369	NUT, 3/8-24 REGHEX	1
40.	323212-853	BRKT, SHIFT LEVER S/F FND 930	1
41.	57157	WASHER, .750X.250 SP-TRANSAXLE	1
42.	56255	SCREW, 1/4-28X .75 NYLHHCGR8	1

^ CONTACT YOUR NEAREST TRANSAXLE DEALER FOR PARTS AND SERVICE.

30" LAWN TRACTOR MODEL D3554-370

MOTION DRIVE ASSEMBLY



NOTE: ALWAYS USE ORIGINAL EQUIPMENT PARTS. Use of service/replacement parts other than original equipment parts may void your warranty.

ALL UNNUMBERED ITEMS ARE INTERCHANGEABLE WITH OPPOSITE SIDE

328588A

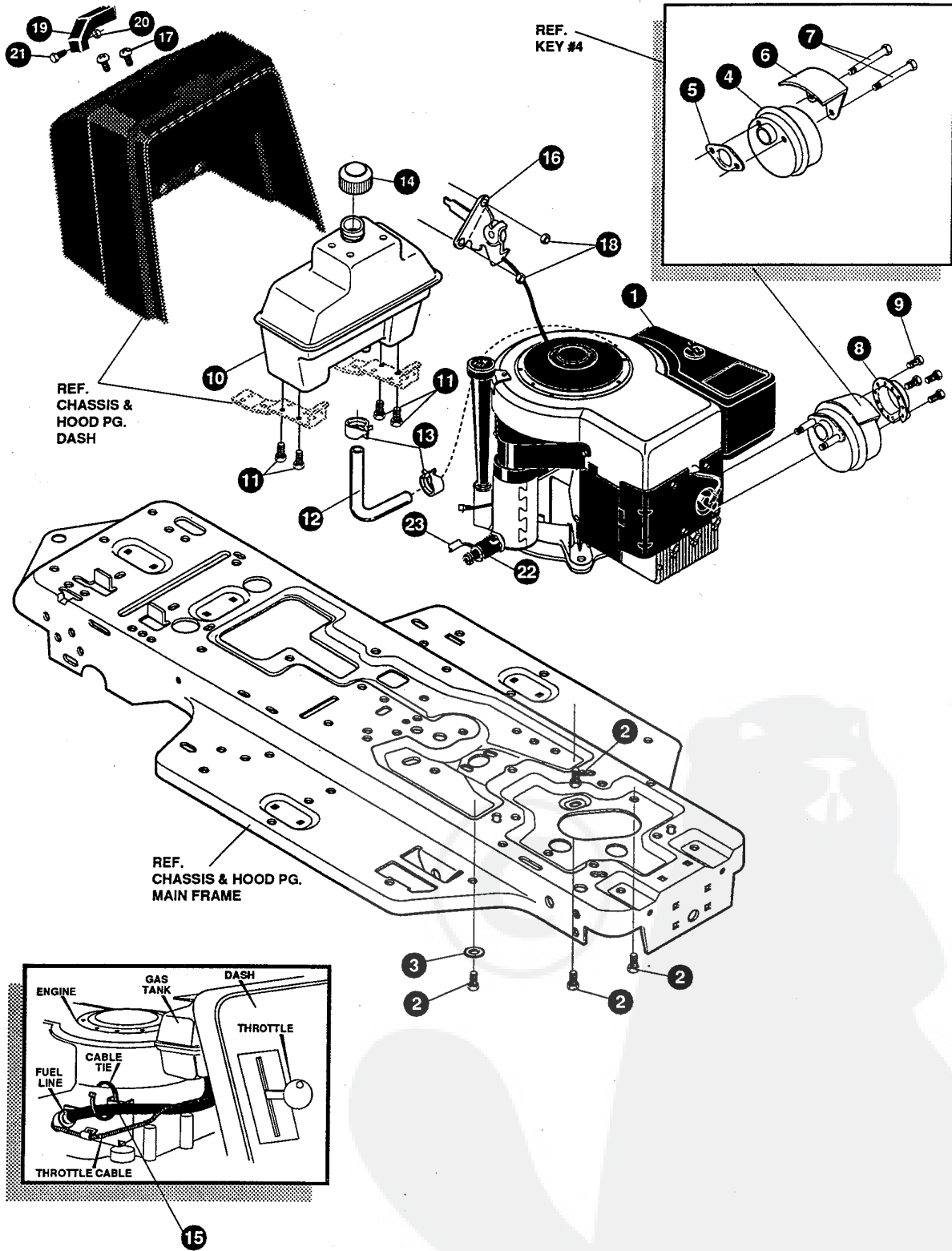
30" LAWN TRACTOR MODEL D3554-370

KEY#	PART#	DESCRIPTION	QTY.
50.	49896	MF BELT GUIDE	1
51.	271184	NUT, 5/16-18 HEXKEPS	1
52.	120393	WASHER, FLAT .344X .69X.065	2
53.	1498	NUT, 5/16-18 REGHEXCTRLK	1
54.	302603-853	SF ASSY,BRAKE PEDAL S.F.	1
55.	319676	PIN,CLEVIS .5 DIA,4.87LG,ZN PL	1
56.	302601	SPACER, SLEV .53 X .62X1.406	1
57.	56180	PIN, HAIR .091 DIA X1.62LG	1
58.	48761	PAD,CLUTCH/BRAKE PEDAL	1
59.	321969	MF IDLER ARM BRKT TRACTION SF	1
60.	41890	BOLT, .625X .218 HSH 5/16-18	1
61.	4107	WASHER, FLAT .635X1.31X.07 PL	1
62.	45602	WASHER, FLAT .333X .87X.019	1
63.	1498	NUT, 5/16-18 REGHEXCTRLK	1
64.	327867	SPRING,3/4 ODX6.75X.091 TENSIO	1
65.	39659	MF RETAINER,BELT	1
66.	35374	PULLEY, IDLER V4L 3.06X .62	1
67.	45892	BOLT, 3/8-16X1.50 CARR GR2	1
68.	1499	NUT, 3/8-16 REGHXCTRLK	1
69.	43980	ROD, .268 DIA CLUTCH	1
70.	50562	SPRING,3/8ODX1.625X.055 TENSIO	1
71.	323210	BRACKET, TRACTION BRAKE S/F	1
72.	46824	BOLT, .500X .188 HSH 5/16-18Z	1
73.	1498	NUT, 5/16-18 REGHEXCTRLK	1
74.	323211	ROD, BRAKE 915 T/A SF RAW 999	1
75.	313881	SPRING, CLUTCH .625 OD	1
76.	50352	NUT, 1/4-20 WDFLLK TOPLOCK	1
77.	^	TIRE & RIM, PU 18X6.5X8TURFWHI	2
78.	24167	VALVE STEM	1
79.	36182	HUB, WHEEL WHITE	1
80.	42091	TIRE, PU 18X6.5X8 TURF	1
81.	52928	KEY, SQUARE .187SQX2.25LG	2
82.	642	WASHER, FLAT .755X1.31X.075	4
83.	42815	WASHER, FLAT .755X1.53X.07	2
84.	36625	RING, RETEX .57X.05TRU5133-75	2
85.	40394	HUB CAP, 1.500ID X 7/8LG	2

^ ORDER INDIVIDUAL PARTS.

30" LAWN TRACTOR MODEL D3554-370

ENGINE & CONTROL ASSEMBLY



NOTE: ALWAYS USE ORIGINAL EQUIPMENT PARTS. Use of service/replacement parts other than original equipment parts may void your warranty.

ALL UNNUMBERED ITEMS ARE INTERCHANGEABLE WITH OPPOSITE SIDE

329127A

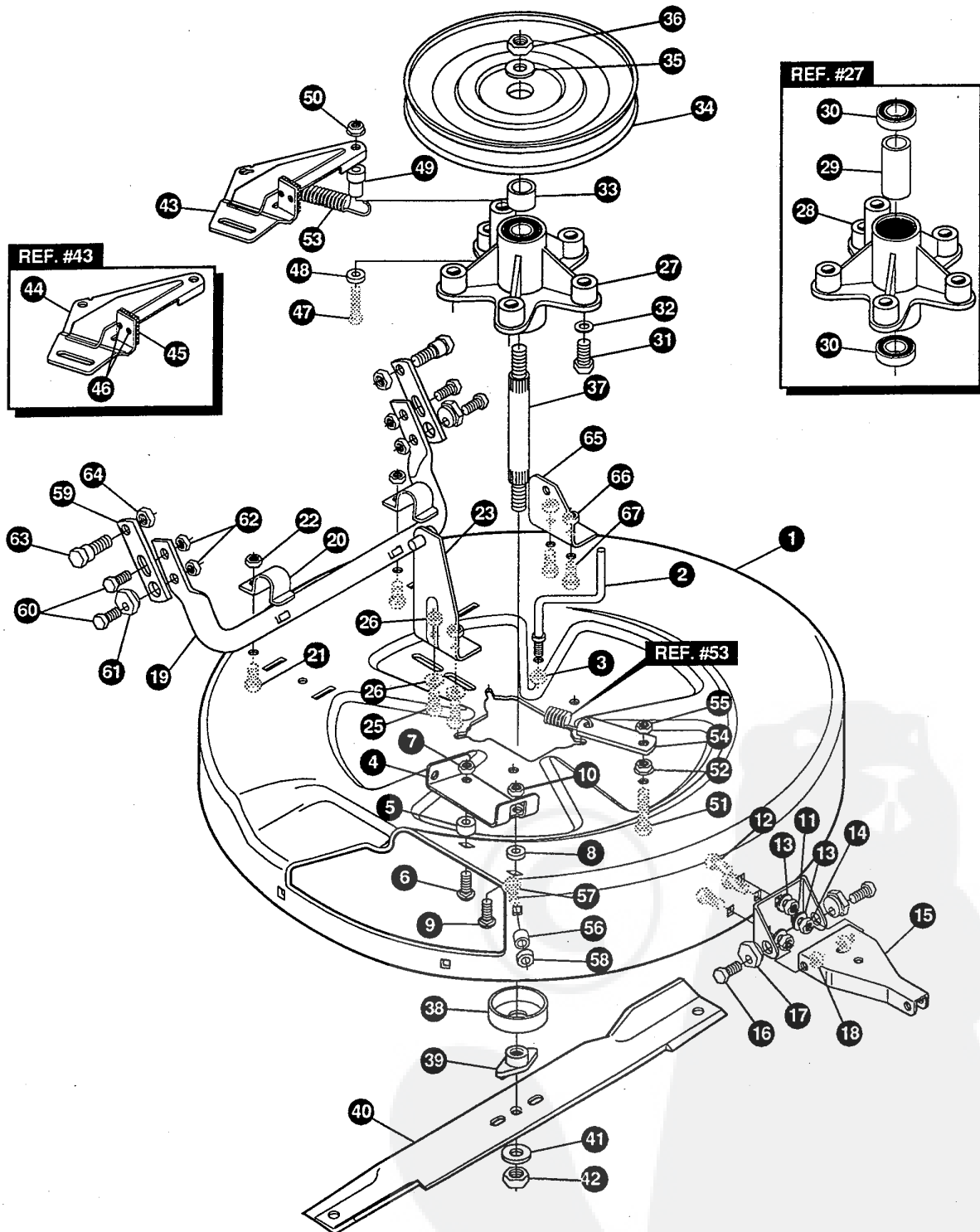
30" LAWN TRACTOR MODEL D3554-370

KEY#	PART#	DESCRIPTION	QTY.
1.	ENGINE	11.5 B&S IC (SEE ENGINE MANUAL)	1
2.	50947	SCREW, 3/8-16X1.25 WAHHTAPBLKP	4
3.	138489	WASHER, EXLK .384X.69X.04	1
4.	57908	MUFFLER-LO TONE NELSON EXPORT	1
5.	46708	GASKET, MUFFLER	1
6.	54767	SHIELD, HEAT, FOR ROUND MUFFLER	1
7.	173063	SCREW, 5/16-18X3.50 HHC GR2	2
8.	56472	DEFLECTOR SIDE OUT	1
9.	35287	SCREW, #8-32X.32 HHWATAP GRD 2	4
10.	314989	TANK, FUEL 1 GAL CLEAR	1
11.	49050	SCREW, 1/4-10X .75PHPNTAPGR2BK	4
12.	42258	TUBING, .25X.50X BULK GAS LINE	12"
13.	47345	CLAMP, FUEL LINE RED	2
14.	46704	CAP, GAS 1-1/2-7 THD BLK	1
15.	57444	TIE, CABLE BLACK NYLON 5.62L	1
16.	303159	THROTTLE CONTROL CAPRO/GP	1
17.	155941	SCREW, 10-24X .63 PHFLTMABLK	2
18.	308459	NUT, #10-24 HXHDNYLK	2
19.	300508	KNOB, GP STYLE THROTTLE BLACK	1
20.	159585	SCREW, 8-32X.38 PHPNMA BLK 2	1
21.	120622	NUT, 8-32 REGHEX	1
22.	325547	OIL DRAIN VALVE ASSEMBLY	1
23.	327422	CAP, OIL DRAIN VALVE	1



30" LAWN TRACTOR MODEL D3554-370

PRE-PAINTED DECK



NOTE: ALWAYS USE ORIGINAL EQUIPMENT PARTS. Use of service/replacement parts other than original equipment parts may void your warranty.

ALL UNNUMBERED ITEMS ARE INTERCHANGEABLE WITH OPPOSITE SIDE

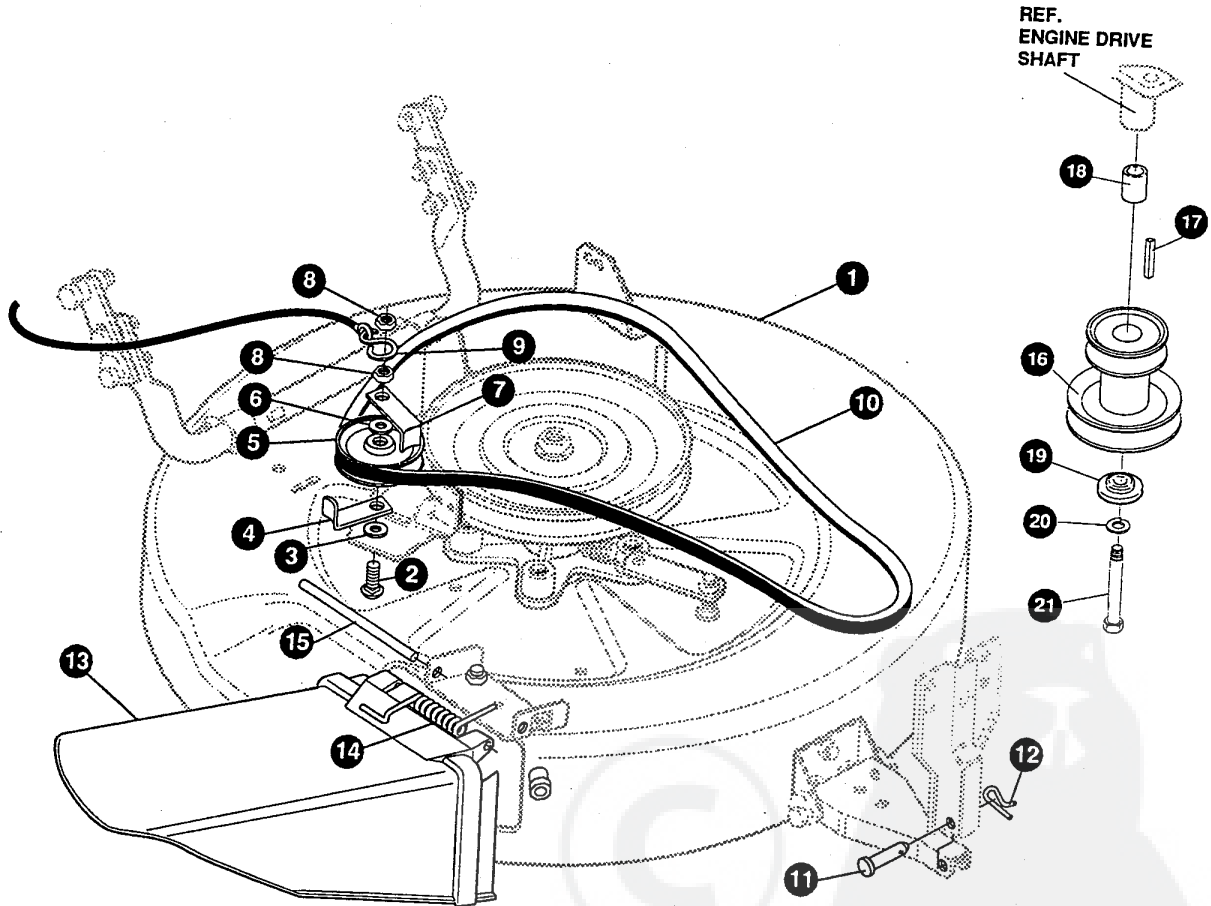
321244B

30" LAWN TRACTOR MODEL D3554-370

KEY#	PART#	DESCRIPTION	QTY.
1	321982-830	DECK,MOWER 30 INCH S.F.	1
2	57318	GUIDE,BELT 5/16-18 THD.	1
3	1498	NUT,5/16-18 REGHEXCTRLK	1
4	302364	BRACKET CHUTE MOUNT	1
5	314702	SPACER,SLEEVE .344X1.0X5.00	1
6	120230	BOLT, 5/16-18X1.25 CARR GR2	1
7	1498	NUT,5/16-18 REGHEXCTRLK	1
8	45602	WASHER,FLAT .333X.87X.119	1
9	126216	BOLT,5/16-18X.75CARR GR2	1
10	1498	NUT,5/16-18 REGHEXCTRLK	1
11	311237-853	MS BRACKET MOUNTING,FRONT	1
12	57072	BOLT, 5/16-18 REGHEXCTRLK	3
13	120393	WASHER,FLAT .344X.69X.065	3
14	1498	NUT,5/16-18 REGHEXCTRLK	3
15	311236-853	BRACKET,BAR,TOW,FRONT	1
16	122017	SCREW,5/16-18X1.00 HHC GR2	2
17	58247	ADJUSTING NUT	2
18	1498	NUT,5/16-18 REGHEXCTRLK	2
19	313372-853	WS,ASSY,TUBE,PIVOT	1
20	51985	SUPPORT PIVOT TUBE	1
21	180077	SCREW,5.16-18X.75 HHC	2
22	1498	NUT,5/16-18 REGHEXCTRLK	2
23	314119-853	ASSY LIFT BRKT.	1
24	180077	SCREW,5.16-18X.75 HHC	2
25	120393	WASHER,FLAT .344X.69X.065	2
26	1498	NUT,5/16-18 REGHEXCTRLK	2
27	313588	ASSEMBLY QUILL	1
28	314272	QUILL	1
29	314274	TUBE,SPACER	1
30	313576	BRNG,BALL	2
31	50634	SCREW, 5/16-18X.88 WAHTAP	5
32	138485	WASHER, EXLK .320X.61X.03	5
33	321146	SPACER SLEEVE .790X1.250X.500	1
34	314273-853	PULLEY ASSEMBLY	1
35	22265	WASHER,FLAT .515X1.38X.119	1
36	1500	NUT, 1/2-13 REGHCTRLK	1
37	321144	SHAFT,QUILL 30"MOWER S.F.	1
38	313577	SHIELD,DUST,BEARING	1
39	313584	HUB,BLADE ADAPTOR	1
40	314275	BLADE 30" TD MOWER	1
41	22265	WASHER,FLAT .515X1.38X.119	1
42	1500	NUT, 1/2-13 REGHCTRLK	1
43	12229-853	BRACKET IDLER ASSEMBLY	1
44	313510-853	BRACKET ARM IDLER	1
45	306973	BRAKE-PAD HARD	1
46	41601	RIVET, OVSET .187DIA X.50LG	2
47	180113	SCREW,5/16-18X3.00 HHC GR5	1
48	45602	WASHER,FLAT .333X.87X.119	1
49	321145	SPACER,SLEEVE .322X.63X2.310	1
50	44108	NUT, 5/16-18 HWDFLCTRLK	1
51	122027	SCREW,5/16-18X1.25 HHC GR 2	1
52	44108	NUT,5/16-18 HWDFLCTRLK	1
53	35410	SPRING .071X.62X4.37	1
54	302357	LINK	1
55	1498	NUT,5/16-18 REGHEXCTRLK	1
56	50520	SPACER	1
57	126216	BOLT,5/16-18X.75 CARR.	1
58	1498	NUT,5/16-18 REGHEXCTRLK	1
59	314099-853	BRACKET,BAR,REAR STABILIZER	2
60	122017	SCREW, 5/16-18X1.00 HHC	4
61	58247	ADJUSTING NUT	2
62	1498	NUT,5/16-18 REGHEXCTRLK	4
63	51940	BOLT, .500X.437 HHSH 3/8-16	2
64	1499	NUT,3/8-16 REGHXCTRLK	2
65	320605	BRACKET,BAR LIFT	1
66	1498	NUT,5/16-18 REGHEXCTRLK	2
67	180077	SCREW,5/16-18X.75 HHC GR5	2

30" LAWN TRACTOR MODEL D3554-370

FINAL DECK ASSEMBLY



NOTE: ALWAYS USE ORIGINAL EQUIPMENT PARTS. Use of service/replacement parts other than original equipment parts may void your warranty.

ALL UNNUMBERED ITEMS ARE INTERCHANGEABLE WITH OPPOSITE SIDE

325642A

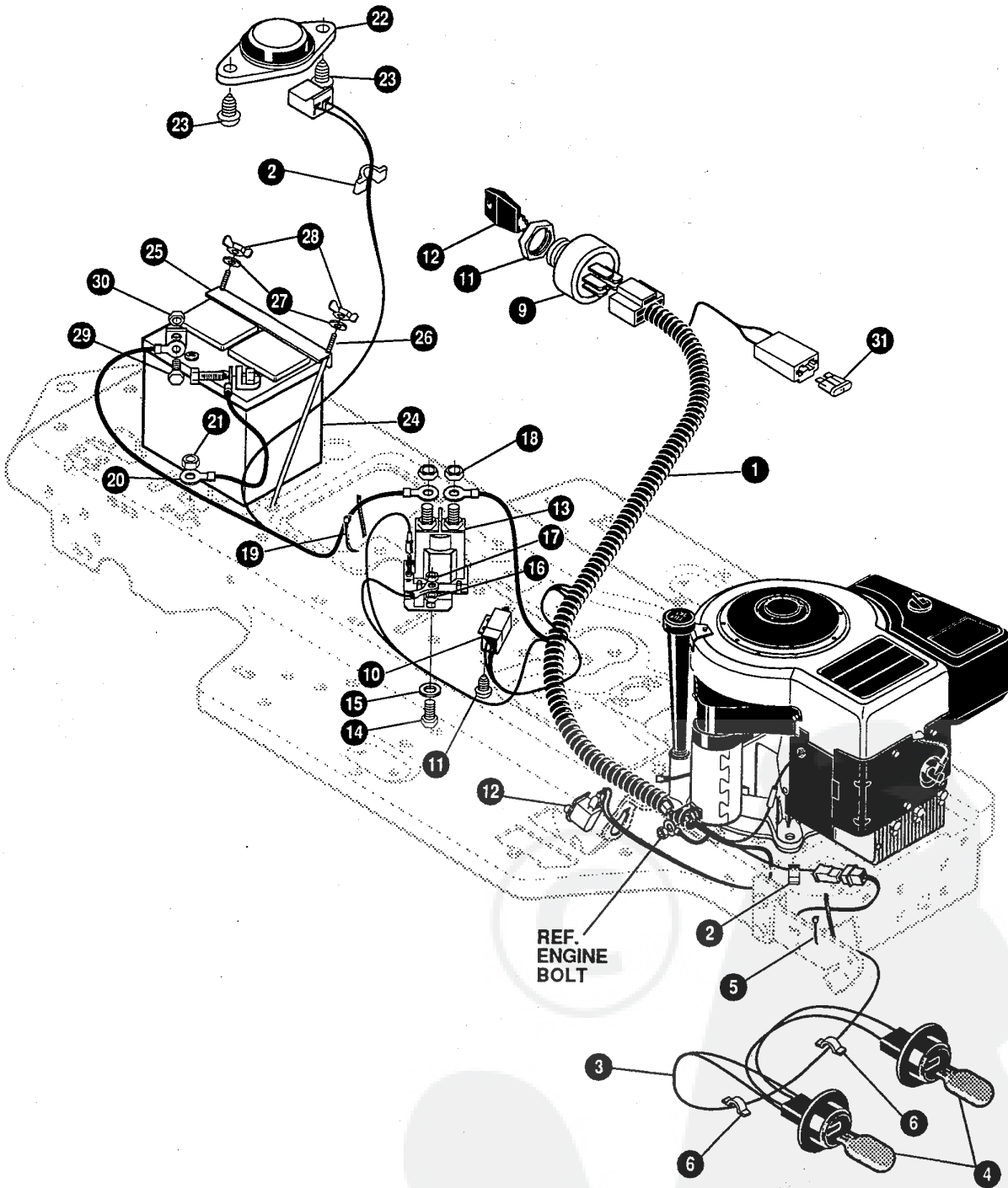
30" LAWN TRACTOR MODEL D3554-370

KEY#	PART#	DESCRIPTION	QTY.
1.	^	DECK, 30SD ASSY PTD BLK 853	
2.	301340	BOLT, 3/8-16X2.50 CARR	1
3.	22265	WASHER, FLAT .515 X 1.38 X .119 FL	1
4.	39659	RETAINER,BELT	1
5.	45074	PULLEY, IDLER V4L 3.06X .72	1
6.	25210	WASHER, FLAT .392X1.25X.09	1
7.	39659	RETAINER,BELT	1
8.	1499	NUT, 3/8-16 REGHXCTRLK	2
9.	310734	HOOK, S, 10 GA. STEEL	1
10.	321147	BELT, V 4L 54.0 - MOD SEC	1
11.	47816	PIN, .495X1.750 CLEVIS-SHORT	1
12.	56180	PIN, HAIR .091 DIA X1.62LG	1
13.	315314	CHUTE,DEFLECTOR	1
14.	314975	SPRING TORSION CHUTE DEF.	1
15.	304424	ROD,PIVOT DECK .312DX7.25	1
16.	300557	PULLEY ENG. 940 F/5.5D/3.00D	1
17.	26655	KEY SQUARE	1
18.	304246	SPACER SLEEVE	1
19.	56431	WASHER, .980IDX1.38DX.437 PILOT	1
20.	120383	WASHER,REGSPTLK	1
21.	182764	SCREW,7/16-20X3.25 HHC	1

^ ORDER INDIVIDUAL PARTS.

30" LAWN TRACTOR MODEL D3554-370

ELECTRICAL ASSEMBLY



NOTE: ALWAYS USE ORIGINAL EQUIPMENT PARTS. Use of service/replacement parts other than original equipment parts may void your warranty.

ALL UNNUMBERED ITEMS ARE INTERCHANGEABLE WITH OPPOSITE SIDE

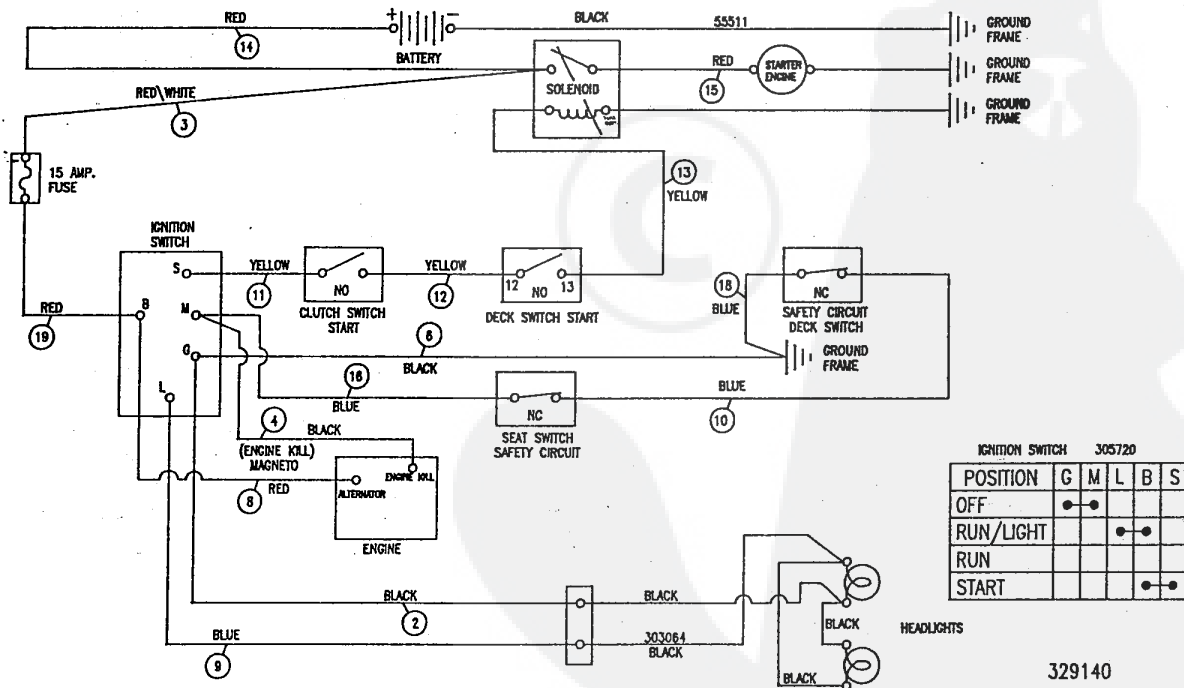
329141A

30" LAWN TRACTOR MODEL D3554-370

KEY#	PART#	DESCRIPTION	QTY.
1.	329140	WIRE HARNESS SF 8-12B&S W/O AMP	1
2.	41482	PRESS CLIP, 1.380LG .255ID	2
3.	303064	ASSY, LIGHT WIRE-1/4 TURN	1
4.	52572	BULB, HEADLAMP	2
5.	57444	TIE, CABLE BLACK NYLON 5.62L	1
6.	41482	PRESS CLIP, 1.380LG .255ID	2
7.	327354	SWITCH, IGNITION & LIGHTS	1
8.	327352	NUT, 5/8-8 ACME DELTA, W/O BOOT	1
9.	327350	KEY IGN SWITCH MOLDED	1
10.	57476	SWITCH, SCR MNT DP NC NO BLK	1
11.	57220	SCREW, #12 X .50 PHPNHTAP BLK	2
12.	326653	SWITCH, SNAPMNT NO .055/.116BLK	1
13.	53716	SOLENOID	1
14.	187745	SCREW, 1/4-20X .75 HXSEMMA	2
15.	1084	WASHER, FLAT .281X1.00X.063PL	1
16.	1502	NUT, 1/4-20 REGHEXCTRLK	2
17.	271172	NUT, 1/4-20 REGHEXKEPS	1
18.	271187	NUT, 5/16-24 HKEPS	2
19.	57444	TIE, CABLE BLACK NYLON 5.62L	1
20.	55511	WIRE, GROUND, 12.5"	1
21.	271184	NUT, 5/16-18 HEXKEPS	1
22.	57547	SWITCH, SEAT	1
23.	160505	SCREW, 1/4-20X .38PHPNHMAGR2	2
24.	302257	BATTERY 12V 7 PLATE	1
25.	324719	MF BATTERY BRACKET	1
26.	40234	BATTERY ROD	2
27.	120392	WASHER, FLAT .281X .63X.065	2
28.	325232	WINGNUT, 1/4-20 NYLON	2
29.	120854	SCREW, 1/4-20X .63 HHC GR2	2
30.	271172	NUT, 1/4-20 REGHEXKEPS	2
31.	302031	FUSE, 15 AMP SPAPE TYPE	1

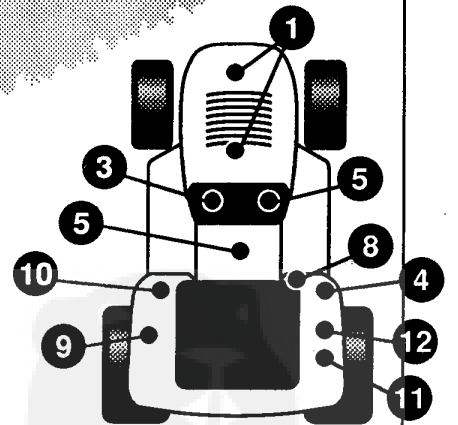
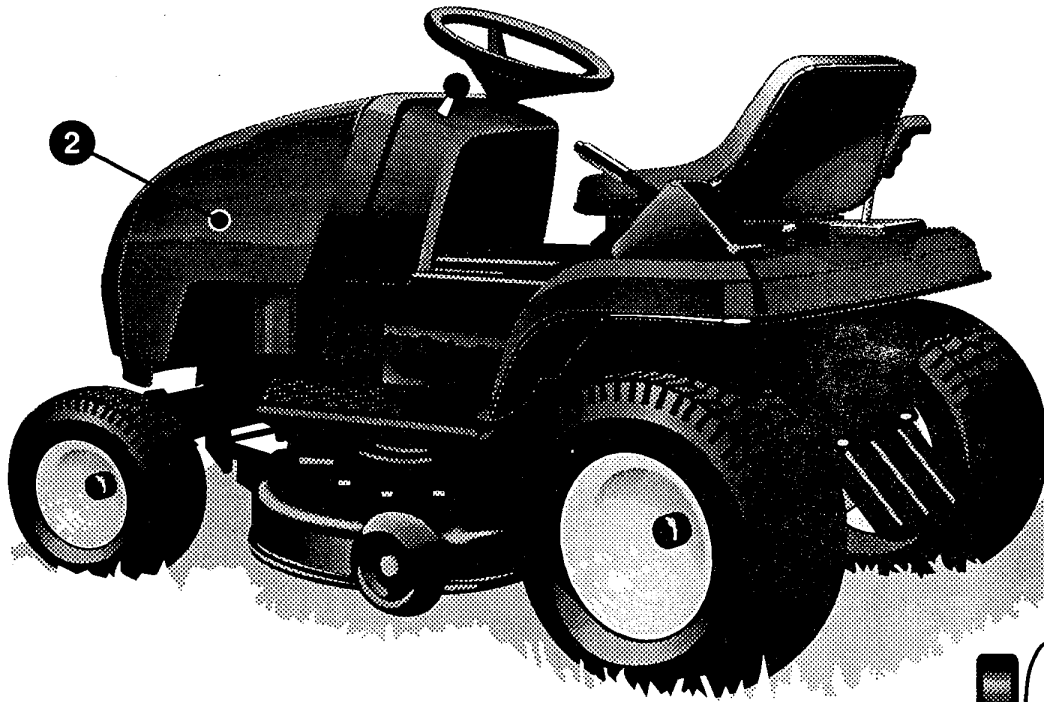
**Spade type fuse included with the wire harness.

SCHEMATIC DRAWING



30" LAWN TRACTOR MODEL D3554-370

DECALS (INSTRUCTION)



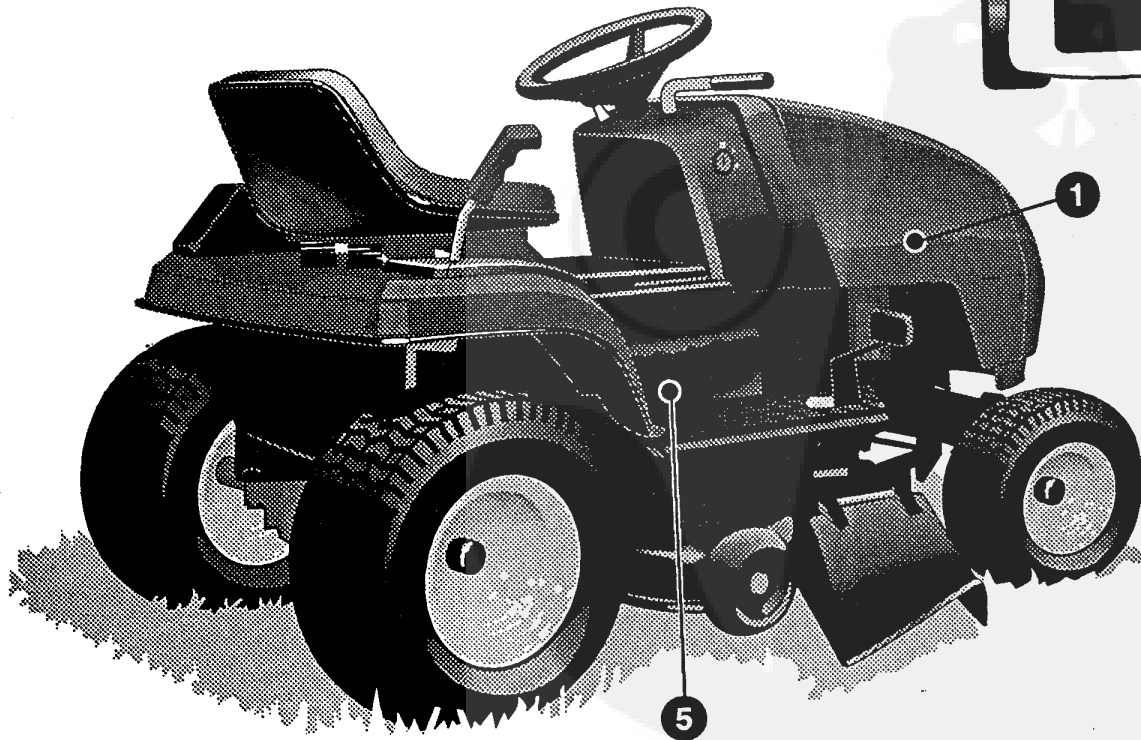
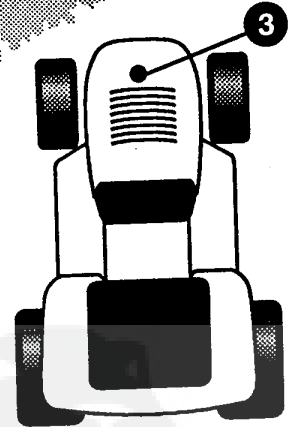
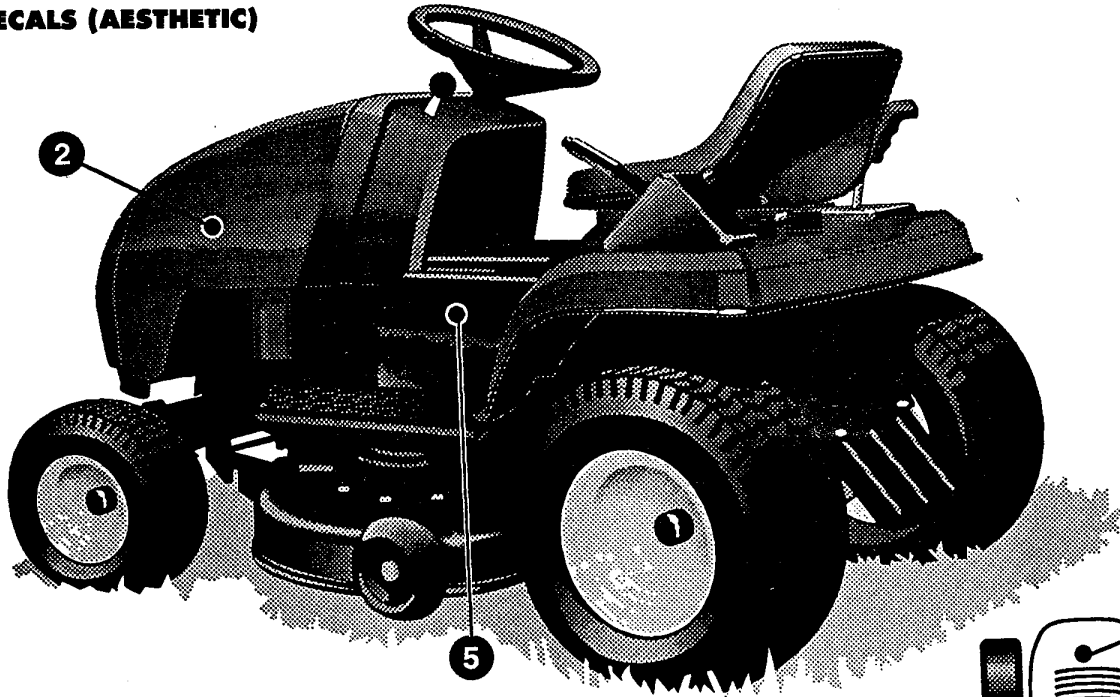
329330A

30" LAWN TRACTOR MODEL D3554-370

KEY#	PART#	DESCRIPTION	QTY.
1.	320853	DECAL, ECO-TRAC HOOD LH SF	1
2.	320854	DECAL, ECO-TRAC HOOD RH SF	1
3.	402137	NAMEPLATE UNITECH MEDIUM	2
4.	320858	DECAL, CONSOLE RH SF	1
5.	320857	DECAL, CONSOLE LH SF	1
6.		REFERENCE ONLY	1
7.	402160	NAME PLATE, 11.5/30	2
8.	402138	NAMEPLATE UNITECH SMALL	1
9.	402116	DECAL CONVERTIBLE MULCHER	1

30" LAWN TRACTOR MODEL D3554-370

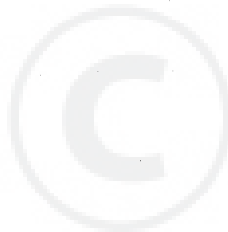
DECALS (AESTHETIC)



329333A

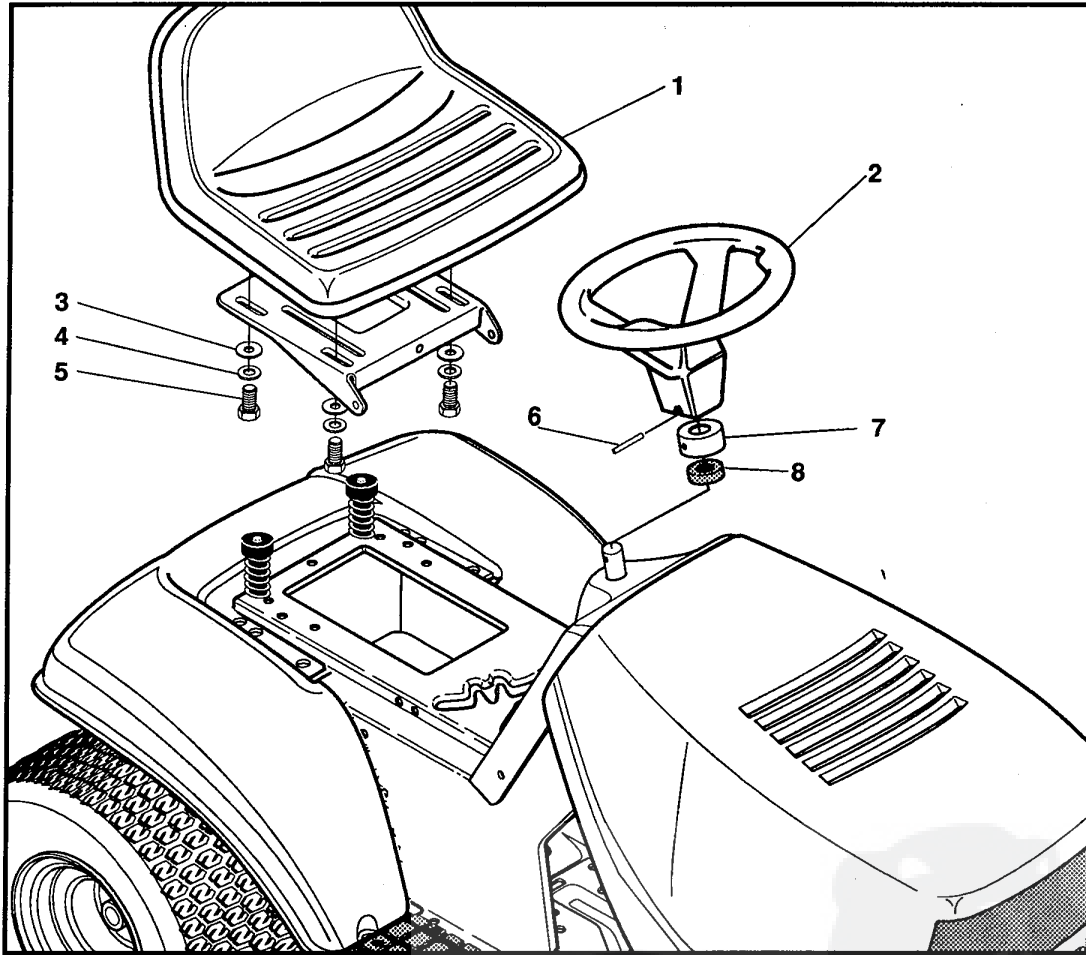
30" LAWN TRACTOR MODEL D3554-370

KEY#	PART#	DESCRIPTION	QTY.
1.	329076	DECAL, HOOD POWERTRAC RH	1
2.	329075	DECAL, HOOD POWERTRAC LH	1
3.	329077	DECAL, HOOD POWERTRAC TOPSIDE	1
4.		REFERENCE ONLY	1
5.	320785	DECAL, NAME PLATE, 11.5/30 CHR/BLK	2



30" LAWN TRACTOR MODEL D3554-370

CUSTOMER ASSEMBLY



CUSTOMER ASSEMBLY VIEW

323760 PARTS BAG ASSY QTY1 (NON-SERVICEABLE)

KEY#	PART#	DESCRIPTION	QTY
1	310384	SEAT MV550	1
2	303132	STEERING WHEEL	1
3	120393	WASHER, FLAT .344X.69X.065	4
4	120638	WASHER, HVSP LTK .328X.60X.109	4
5	122007	SCREW, 5/16-18X.75 HHC	4
6	456378	ROLL PIN .250DIA X 2.0LG	1
7	323758	COVER, STEERING SHAFT	1
8	301413	SPACER STEERING SHAFT	1

329130A

ACCESSORIES

Contact the dealer where your tractor was purchased for the available accessories. If you are unable to contact the dealer, write to the address on the front cover of this manual.

Rear Engine Rider

Model	Description
5708-16	Bagger - Fits 32" Side Discharge
5708-17	Bagger - Fits 36" Side Discharge & 30" Top Discharge
5709-02	Front Weight Box - holds 35 lbs.
5648-16	Lawn Sweeper w/dump Release
5714-00	Mulching Kit - 30" Top Discharge

Lawn Tractor

Model	Description
5708-22	Bagger - Fits 30" Side Discharge
5708-13	Bagger - Fits 36", 38", 39" & 45" Side Discharge
5705-04	36" Two-Stage Snowblower - Fits 36", 38", 39", & 45" Side Discharge
5661-06	42" Snowblade - Fits 36", 38", 39", & 45"
5592-00	Tire Chains - 18" x 6.50"
5585-00	Tire Chains - 18" x 9.50" & 20" x 8"
5672-01	Wheel Weights - Front - 1 pr. w/mtg. hdw. - Fits 15" tires
5673-02	Wheel Weights - Rear - 1 pr. w/mtg. hdw. - Fits 18" & 20" tires
5709-03	Front Weights - Fits 30" & 32" Side Discharge
5648-16	Lawn Sweeper w/dump Release
5714-00	Mulching Kit - 30" Top Discharge

Garden Tractor - Light Ground Engaging

Model	Description
5708-13	Bagger - Fits 36", 38", 39", & 45" Side Discharge
5705-04	36" Two - Stage Snowblower - Fits 36", 38", 39", & 45"
5661-06	42" Snowblade - Fits 36", 38", 39", & 45"
5672-01	Wheel Weights - Front 1 pr. w/mtg. hdw. - Fits 15" tires
5673-02	Wheel Weights - Rear - 1 pr. w/mtg. hdw. - Fits 18" & 20" tires
5648-16	Lawn Sweeper w/dump Release
5667-02	Sleeve Hitch - w/lift bar - Fits 45"
5668-01	Adaptor (sleeve hitch) for use w/23" tires
5706-00	Tire Chains - 20" x 10"
5671-00	Tire Chains - 23" x 9.50"
5672-02	Wheel Weights - Front - 1 pr. w/mtg. hdw. Fits 16" tires
5673-00	Wheel Weights - Rear - 1 pr. w/mtg. hdw. Fits 23" tires
5674-01*	10" One Bottom Moldboard Plow
5675-01*	Cultivator - 7 row - Adj. 6" - 42" width
5676-01*	Disc Harrow - 8" & 11" disc - Adj. width & disc angle
5677-02*	Tiller - 5 H.P. Self-Powered - 28" width

Four Wheel Steer

Model	Description
5708-14	Bagger - Fits 40" & 46" Side Discharge
5705-05	42" One-Stage Snowblower - Fits 40" & 46"
5661-07	48" Snowblade - Fits 40" & 46"
5709-04	Rear Weight Box for 40" & 46"
5648-16	Lawn Sweeper w/dump Release
5706-00	Tire Chains 20" x 10"
5671-00	Tire Chains 23" x 9.50"
5672-02	Wheel Weights - Front - 1 pr. w/mtg. hdw. Fits 16" tires
5673-00	Wheel Weights - Rear - 1 pr. w/mtg. hdw. Fits 23" tires
5672-01	Wheel Weights - Front - 1 pr. w/mtg. hdw. Fits 15" tires
5673-02	Wheel Weights - Rear - 1 pr. w/mtg. hdw. Fits 18" & 20" tires

Two Wheel Steer Garden Tractor

Model	Description
5667-04	Sleeve Hitch - w/lift bar Fits 46"
5674-01*	10" One Bottom Moldboard Plow
5675-01*	Cultivator - 7 row - Adj. 6" - 42" width
5676-01*	Disc Harrow 8" & 11" Disc. Adj. width & disc angle
5677-02*	Tiller 5 H.P. Self-Powered - 28" width
5648-16	Lawn Sweeper w/dump Release

*Requires a sleeve hitch