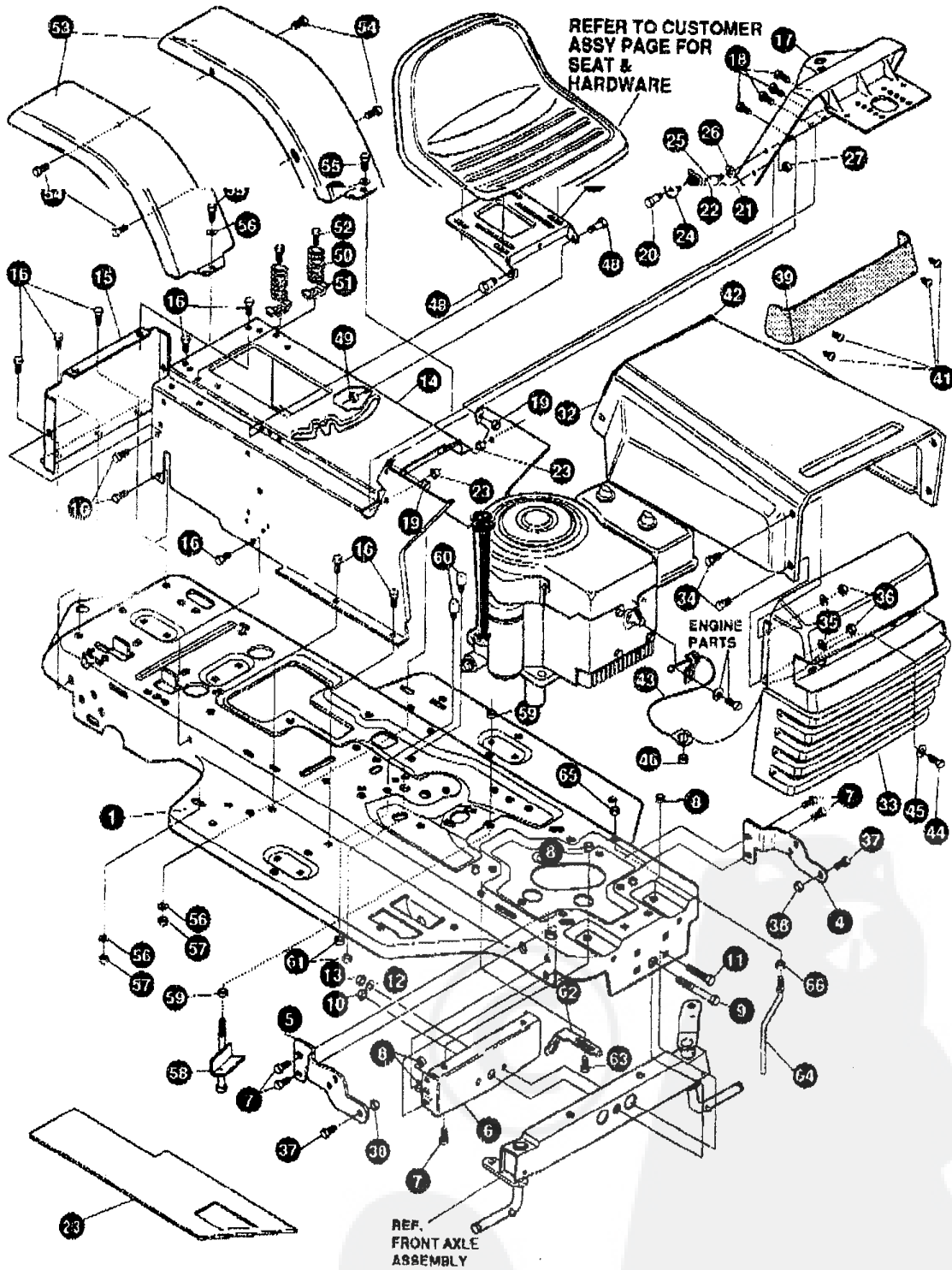


38" LAWN TRACTOR MODEL D3554-400

CHASSIS & HOOD ASSEMBLY



NOTE: ALWAYS USE ORIGINAL EQUIPMENT PARTS.
 Use of service/replacement parts other than original equipment parts may void your warranty

ALL UNNUMBERED ITEMS ARE INTERCHANGEABLE WITH OPPOSITE SIDE

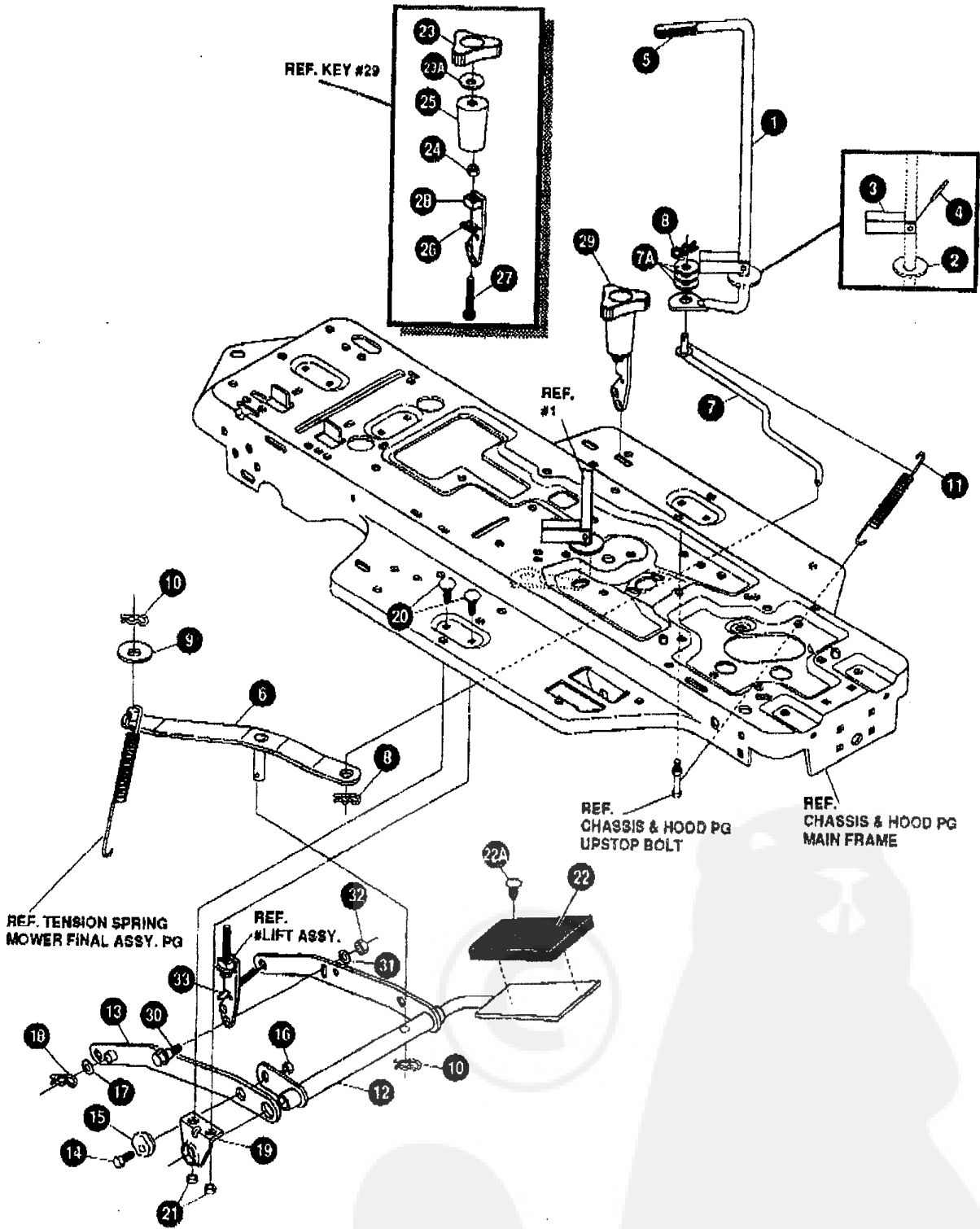
929404B

38" LAWN TRACTOR MODEL D3554-400

KEY#	PART#	DESCRIPTION	QTY.
1	321997-860	FRAME,MAIN SF RIDER	1
2	326792	FOOTPAD,LH SF WIDE	1
3	302916	FOOTPAD,RH SF WIDE	1
4	314579-853	BRACKET,GRILLE L.H.	1
5	314578-863	BRACKET,GRILLE R.H.	1
6	56362-853	BRKT,SUPT FRT AXLE-	1
7	• 328154	SCREW, 5/16-18X.75WDFLLK	6
8	• 55273	NUT, 5/16-18 HXWDFLLK	6
9	29616	BOLT, .625X2.875 SPSH 1/2-20	1
10	• 274654	NUT, 1/2-20 REGHXCTRLK	1
11	• 122201	SCREW, 3/8-16X2.75 HHC	2
12	2483	WASHER,.39IDX1.25DX.07 BELLVIL	2
13	• 1499	NUT, 3/8-16 REGHXCTRLK	2
14	314491-860	CONSOLE	1
15	56235-860	CONSOLE, REAR COVER	1
16	• 995346	SCREW, 1/4-20X .50 WAHTAP	15
17	320466-860	DASH,SF NOMA DYNA STYLING	1
18	• 995338	SCREW, 1/4-20X .63 HHWATAP	4
19	50352	NUT 1/4-20 WDFLLK TOP LOCK	2
20	8482	BOLT, .375X .156 HSH 5/16-18	2
21	• 120394	WASHER, FLAT .406X .81X.065	2
22	• 120393	WASHER, FLAT .344X .69X.065	2
23	• 1498	NUT, 5/16-18 REGHEXCTRLK	2
24	57159	LATCH, .94WDX.047 ASSY HOOD	2
25	53446	PIN, 5/16-18 HOOD LATCH	2
26	• 138538	WASHER, REGINTLK.320X.61X.03	2
27	• 45174	NUT, 5/16-18 HEXWDFLLK WHIZ	2
32	314538-860	HOOD	1
33	325401	GRILLE	1
34	• 277	SCREW, 1/4-20X .63 WAHHC	4
35	• 121	WASHER, FLAT .281X .63X.065	4
36	• 1502	NUT, 1/4-20 REGHEXCTRLK	4
37	36149	BOLT, .375X .500 HSH 5/16-18	2
38	• 1498	NUT, 5/16-18 REGHEXCTRLK	2
39	302333	LENS HEADLAMP	1
41	• 57796	SCREW, #6 X .50 PLASTITE	4
42	56304	EDGING,WIDE BLK	25*
43	311094	LANYARD,HOOD	1
44	121887	SCREW 1/4-20 X .75 HHC	1
45	120392	FLATWASHER .281 X .63 X .065	1
46	1502	LOCKNUT 1/4-20	1
47	58367-853	PLATE, SEAT	1
48	20507	BOLT, .437X .156 HSH 5/16-18	2
49	• 1498	NUT, 5/16-18 REGHEXCTRLK	2
50	56220	SPRING,1.43X2.38X.162 COM SEAT	2
51	1341	CLAMP,SPRING 1.17"ID	2
52	• 995346	SCREW, 1/4-20X .50 WAHTAP	2
53	43970-860	FENDER	2
54	• 995346	SCREW, 1/4-20X .50 WAHTAP	4
55	• 122007	SCREW, 5/16-18X.75 HHC	2
56	• 446363	WASHER, FLAT .375X .88X.082	4
57	• 1498	NUT, 5/16-18 REGHEXCTRLK	2
58	• 328630	ASSY UPSTOP	1
59	• 1499	NUT, 5/16-18 REGHEXCTRLK	2
60	• 53446	PIN 5/16-18	2
61	• 271164	NUT, 5/16-18 HEX KEPS	2
62	302610-853	BRACKET,SWITCH MOUNT	1
63	• 995346	SCREW, 1/4-20X .50 WAHTAP	1
64	50653	GUIDE, BELT	1
65	• 41529	NUT, 3/8-16 HXCTRLKJAM	1
66	• 271190	NUT, 3/8-16 HEXKEPS	1
	328656	ENGLISH OPERATOR'S MANUAL	1
	328832	FRENCH OPERATOR'S MANUAL	1
	328833	GERMAN OPERATOR'S MANUAL	1
	329941	ENGLISH PARTS MANUAL	1
	328195	AIR ASSIST MANUAL	1
	327717	GRASS CATCHER MANUAL	1

LAWN TRACTOR MODEL D3554-400

MOWER SUSPENSION



NOTE: ALWAYS USE ORIGINAL EQUIPMENT PARTS.
 Use of service/replacement parts other than original equipment parts may void your warranty.

**ALL UNNUMBERED
 ITEMS ARE INTERCHANGEABLE
 WITH OPPOSITE SIDE**

324978C

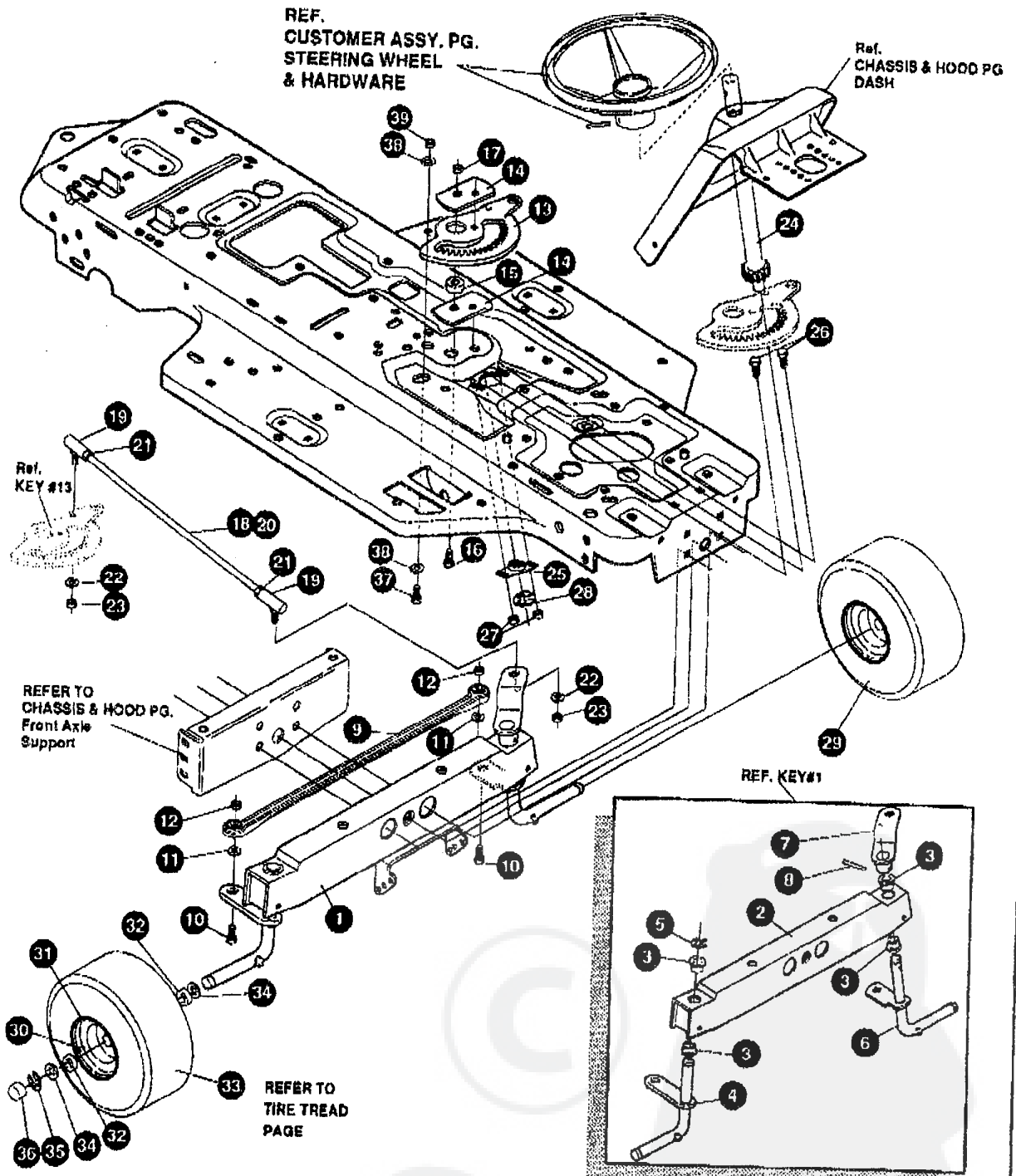
38" LAWN TRACTOR MODEL D3554-400

KEY#	PART#	DESCRIPTION	QTY.
1	325591	HANDLE, RH PTO DASH	1
2	22265	WASHER, FLAT .515X1.38X.119PL	1
3	305225	STOP, PTO ENGAGEMENT	1
4	326386	PIN, SPRING. 187DIA X1.13LG HD	1
5	46478	GRIP, HAND .50ID 3.37 LG BLK	1
6	325597-853	STRAP ASSY, PTO BELCRANK	1
7	325590	ROD, BELCRANK LINK	1
7A	274571	FLAT WASHER .375X.88X.082	1
8	8260	PIN, HAIR .091 DIA X1.66LGZ	3
9	25210	WASHER, FLAT .392X1.25X.09	2
10	8260	PIN, HAIR .091 DIA X1.66LGZ	1
11	325802	SPRING, .69X7.75X.0897 TENSION	2
12	326533-853	LIFT ASSY, LH PEDAL-LIFT	1
13	325130-853	LIFT ASSY, RH SF	1
14	180079	• SCREW, 5/16-18X1.00 HHC	1
15	58247	• NUT, ADJUST	1
16	1498	• NUT, 5/16-18 REGHEXOTRLK Z	1
17	417098	WASHER, FLAT .531X1.06X.063Z	1
18	8260	PIN, HAIR .091 DIA X1.66LG	2
19	325495-853	BRACKET, REAR HANG SUSP	1
20	126211	BOLT, 5/16-18X.63 CARR	4
21	1498	• NUT, 5/16-18 REGHEXOTRLK	4
22	328596	PAD, LIFT PEDAL	1
22A	309235	FASTENER RATCHET	1
23	325660	KNOB, FLUTED TORQUE BLACK	1
23A	446363	FLAT WASHER .375X.88X.082	1
24	45905	• NUT, 3/8-16 HWDFLK MACK Z	1
25	326113	COVER, TOP SLEEVE PEDAL-LIFT	1
26	324983	WASHER, RUBBER 3/8X.75SQ	1
27	326832	• BOLT, SUS MOWER LATCH SF	1
28	325831-853	LATCH, SUS MOWER	1
29	327934	MOWER, ASM LATCH	1
30	25096	• BOLT, .500X.375 HSH 5/16-18Z	1
31	4230	WASHER, FLAT .328X.68X.104	1
32	1498	• NUT, 5/16-18 HWDFLCTRLK	1
33	35410	SPRING .071X.62X4.37	1

• STANDARD HARDWARE ITEMS

38" LAWN TRACTOR MODEL D3554-400

STEERING ASSEMBLY



NOTE: ALWAYS USE ORIGINAL EQUIPMENT PARTS.
Use of service/replacement parts other than original equipment parts may void your warranty.

ALL UNNUMBERED ITEMS ARE INTERCHANGEABLE WITH OPPOSITE SIDE

324972D

38" LAWN TRACTOR MODEL D3554-400

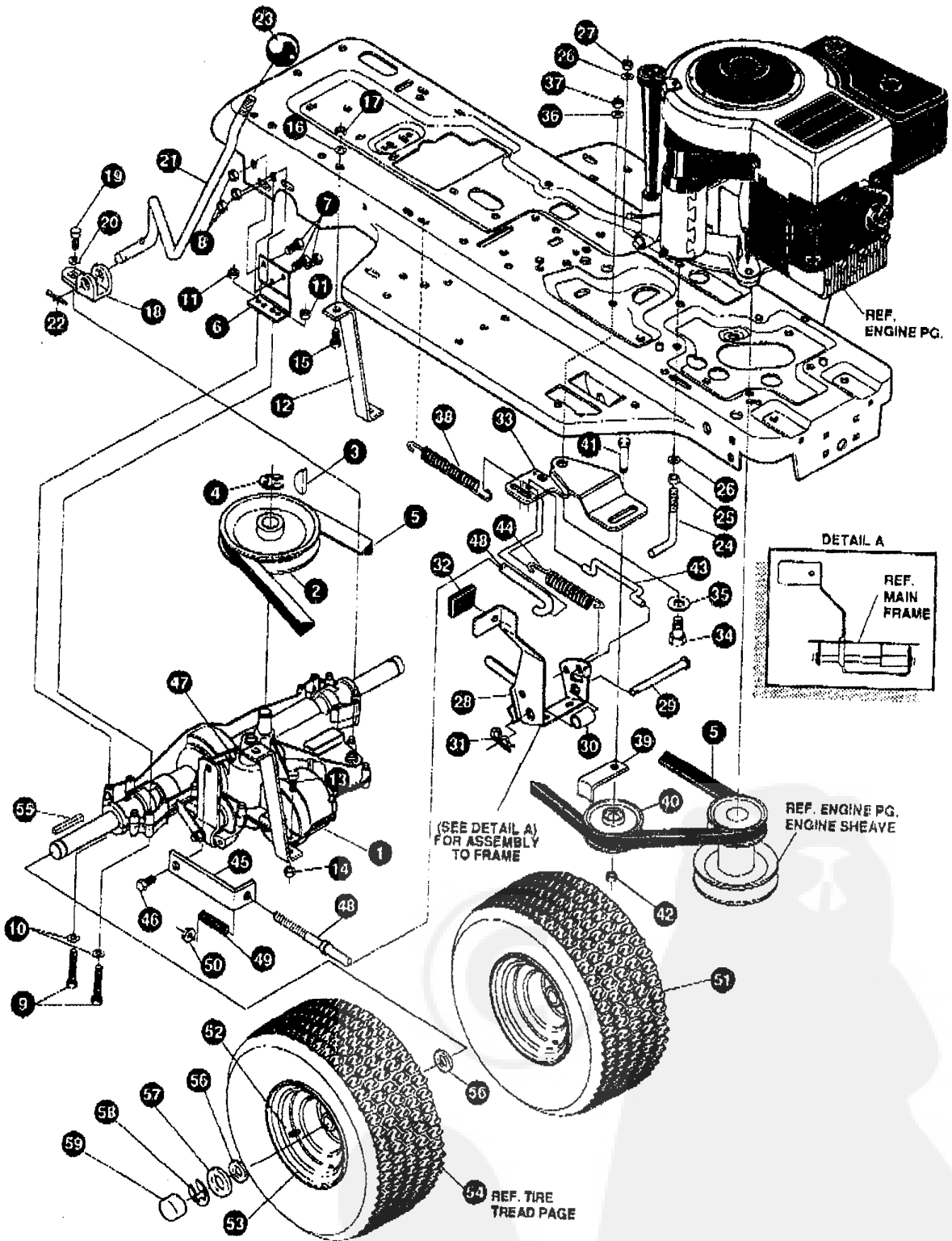
KEY#	PART#	DESCRIPTION	QTY
1	*	FRONT AXLE ASSEMBLY	1
2	324915-853	AXLE, FRONT	1
3	50546	BEARING, FLANGE	4
4	310388	SPINDLE, RH	1
5	36825	RING, RETEX	1
6	310367	SPINDLE, LH	1
7	327619	ARM, STEERING LH	1
8	454555	PIN, SPRING	1
9	302691	TIE ROD	1
10	◇ 122145	SCREW, 3/8-16X1.25 HHC	2
11	◇ 120382	WASHER, 393X.68X.10 REGSPTLK	2
12	◇ 1499	NUT, 3/8-16 REGHCTRLK	2
13	324752	SECTOR, GEAR	1
14	327833	PLATE SECTOR SF 4WS	2
15	324753	BUSHING SECTOR GEAR SF 4WS	1
16	180124	SCREW, 3/8-16X1.25	1
17	1499	NUT, 3/8-16 REGHXCTRLK	1
18	◇ 328808	DRAGLINK ASSEMBLY	1
19	57158	BALL JOINT	2
20	56190	DRAGLINK	1
21	124925	NUT, 3/8-24 REGHEXJAM	2
22	120382	WASHER, REGSPTLK	2
23	120369	NUT, 3/8-24 REGHEX	2
24	327690	SHAFT PINION STEERING	1
25	325692	BRG. FL	1
26	326505	SCREW, 1/4-20X.75 GRD 5	2
27	46931	NUT, 1/4-20 FLLK NUT SIDE LOCK	2
28	20864	RING RET E	1
29	-	ASSEMBLY TIRE	2
30	24167	VALVE STEM	1
31	39829	WHEEL W/BEARING	1
32	314416	BEARING, 1.38ODX.753ID FLANGE	2
33		REFER TO TIRE TREAD PAGE	
34	642	WASHER, FLAT .755X1.31X.075	4
35	36625	RING, RETEX .57X.05	2
36	40394	HUB CAP	2
37	122145	SCREW, 3/8-16X1.25 GRD2	1
38	120384	WASHER, FLAT	2
39	44374	NUT, 3/8-16 HXWDFLLK	1

* ORDER INDIVIDUAL PARTS.

◇ Indicates STANDARD HARDWARE ITEMS.

38" LAWN TRACTOR MODEL D3554-400

MOTION DRIVE ASSEMBLY



NOTE: ALWAYS USE ORIGINAL EQUIPMENT PARTS.
 Use of service/replacement parts other than original equipment parts may void your warranty.

**ALL UNNUMBERED
 ITEMS ARE INTERCHANGEABLE
 WITH OPPOSITE SIDE**

327141C

38" LAWN TRACTOR MODEL D3554-400

KEY#	PART#	DESCRIPTION	QTY
1.	^	TRANSAXLE P940-5SP SF FER	1
2.	302745	PULLEY, IDLER V4L 6.60	1
3.	3021	KEY, WDRF 608 .750X.187X.312	1
4.	22053	RING, RETEX .59X.035TRU5100-62	1
5.	54768	BELT, V 4L 82.00 SF DRIVE	1
6.	53768-853	BRACKET, TRANSAXLE	2
7.	180075	SCREW, 5/16-18X .63 HHC	6
8.	1498	NUT, 5/16-18 REGHEXCTRLK	6
9.	180089	SCREW, 5/16-18X2.25 HHC	4
10.	120393	WASHER, FLAT .344X .69X.065	4
11.	1498	NUT, 5/16-18 REGHEXCTRLK	4
12.	323213	BRACKET, T/A TORQ. 915	1
13.	180087	SCREW, 5/16-18X2.00 HHC	1
14.	1498	NUT, 5/16-18 REGHEXCTRLK	1
15.	122017	SCREW, 5/16-18X1.00 HHC	1
16.	138485	WASHER, EXLK .320X.61X.03	1
17.	1498	NUT, 5/16-18 REGHEXCTRLK	1
18.	12618	BRACKET, SHIFT P920-3SP	1
19.	56265	SCREW, 1/4-28X .75 NYLHHC	1
20.	57157	WASHER, .750X.250 SP-TRANSAXLE	1
21.	313934	LEVER, SHIFT 915 T/A	1
22.	137185	PIN, COTTER .125 DIA X 1.00LG	1
23.	55514	KNOB, ROUND 1.50 DIA BLACK	1
24.	49896	BELT GUIDE	1
25.	271184	NUT, 5/16-18 HEXKEPS	1
26.	120393	WASHER, FLAT .344X .69X.065	2
27.	1498	NUT, 5/16-18 REGHEXCTRLK	1
28.	302603-853	SF ASSY, BRAKE PEDAL S.F.	1
29.	319676	PIN, CLEVIS .5 DIA 4.87LG, ZN PL	1
30.	302601	SPACER, SLEV .53 X .62X1.406	1
31.	56180	PIN, HAIR .091 DIA X 1.62LG	1
32.	48761	PAD, CLUTCH/BRAKE PEDAL	1
33.	321969	IDLER ARM BRKT TRACTION	1
34.	41860	BOLT, .625X .218 HSSH 5/16-18Z	1
35.	4107	WASHER, FLAT .635X1.31X.07	1
36.	45602	WASHER, FLAT .393X .87X.119	1
37.	1498	NUT, 5/16-18 REGHEXCTRLK	1
38.	327867	SPRING, 3/4 ODX 7.75X.091 TENSION	1
39.	39659	RETAINER, BELT	1
40.	35374	PULLEY, IDLER V4L 3.06X .62	1
41.	45892	BOLT, 3/8-16X1.50 CARR	1
42.	1499	NUT, 3/8-16 REGHXCTRLK	1
43.	43980	ROD, .268 DIA CLUTCH	1
44.	50562	SPRING, 3/8 ODX 1.625X.055 TENSIO	1
45.	323210	BRACKET, TRACTION BRAKE S/F	1
46.	46824	BOLT, .500X .188 HSSH 5/16-18Z	1
47.	1498	NUT, 5/16-18 REGHEXCTRLK	1
48.	323211	ROD, BRAKE 915 T/A SF	1
49.	313981	SPRING, CLUTCH .625 OD	1
50.	50352	NUT, 1/4-20 WDFLLK TOPLOCK	1
51.	*	TIRE & RIM, PU 20X8.0-8 TURWHI	2
52.	24167	VALVE STEM	1
53.	326362	WHEEL & HUB ASSY 20X8 WHITE	1
54.		REFER TO TIRE TREAD PAGE	
55.	52928	KEY, SQUARE .187SQX2.25LG	2
56.	642	WASHER, FLAT .755X1.31X.075	4
57.	42815	WASHER, FLAT .755X1.53X.07	2
58.	36625	RING, RETEX .57X.05TRU5133-75	2
59.	40394	HUB CAP, 1.500ID X 7/8LG	2

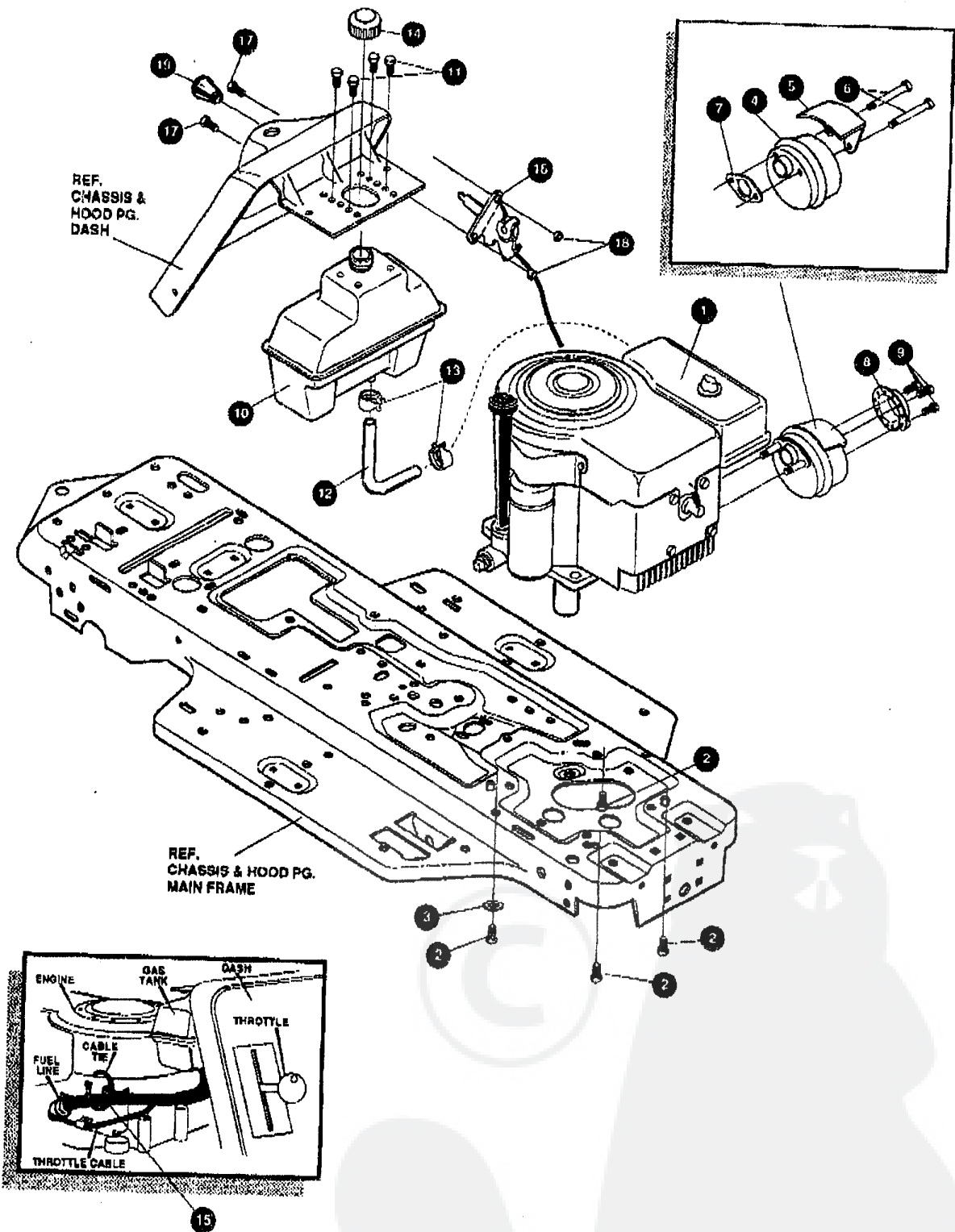
* STANDARD HARDWARE ITEMS.

^ CONTACT YOUR NEAREST TRANSAXLE DEALER FOR PARTS AND SERVICE.

* ORDER INDIVIDUAL PARTS.

38" LAWN TRACTOR MODEL D3554-400

ENGINE & CONTROL ASSEMBLY



NOTE: ALWAYS USE ORIGINAL EQUIPMENT PARTS.
 Use of service/replacement parts other than original equipment parts may void your warranty.

**ALL UNNUMBERED
 ITEMS ARE INTERCHANGEABLE
 WITH OPPOSITE SIDE**

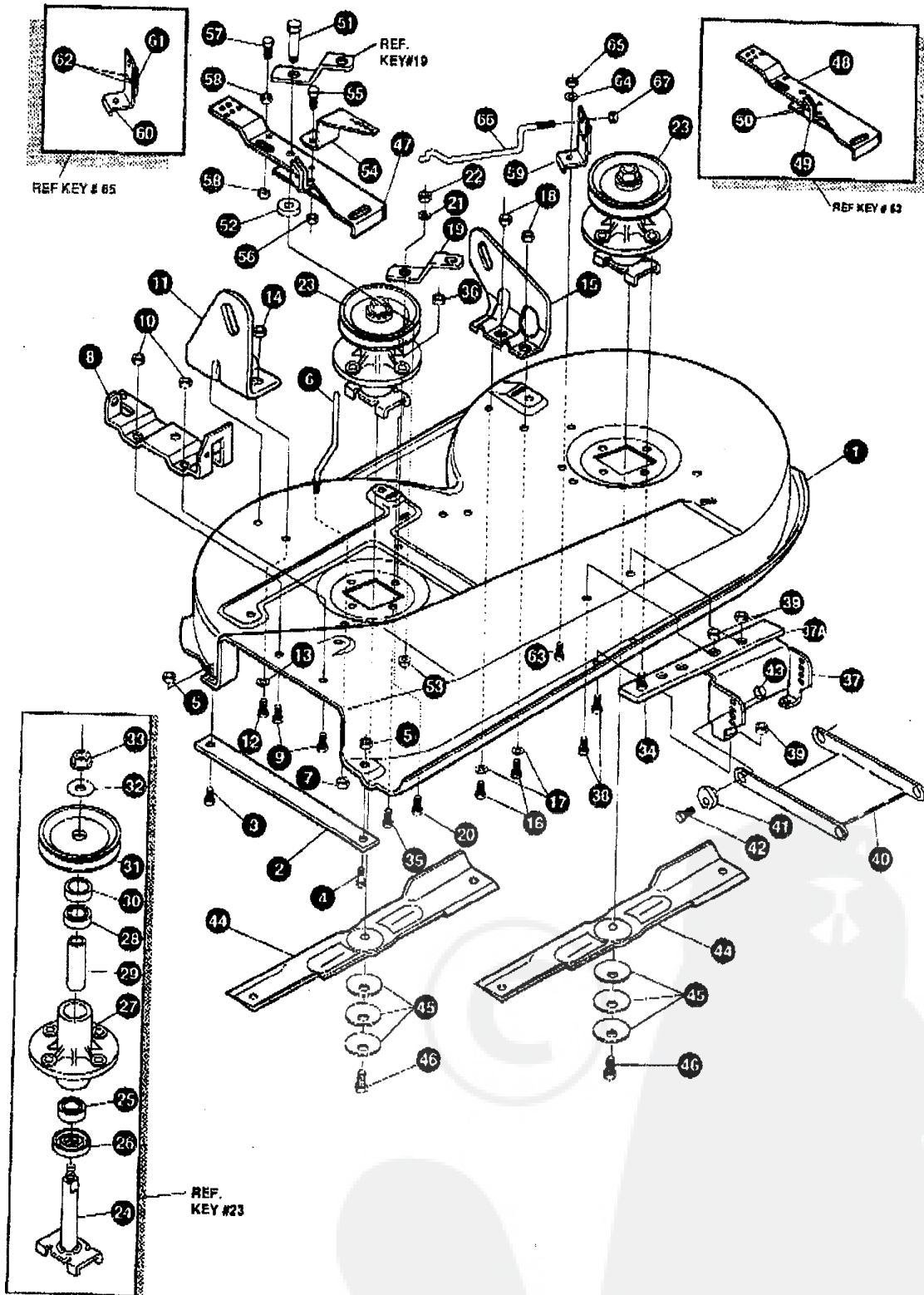
325601B

38" LAWN TRACTOR MODEL D3554-400

KEY#	PART#	DESCRIPTION	QTY.
1	ENGINE	12 HP B&S V/C DUAL CIRCUIT (SEE ENGINE MANUAL)	1
2	50947	SCREW, 3/8-16X1.25 WAHTAP BLKP	4
3	138489	WASHER, EXLK .384X.69X.04 Z	1
4	57808	MUFFLER NELSON LOOTONE	1
5	54767	SHIELD, HEAT, FOR ROUND MUFFLER	1
6	173083	SCREW, 5/16-18X3.50 HHC GR 2 Z	2
7	46709	GASKET, MUFFLER	1
8	323423	DEFLECTOR, MUFFLER PARTIAL	1
9	35287	SCREW, #8-32X.38 HHWATAP GR2 Z	3
10	314989	TANK, FUEL 1 GAL CLEAR	1
11	300303	SCREW, .25X.75X.51 HHWAPLASTITE	4
12	42258	TUBING .252.50X BULK GAS LINE	12'
13	47345	CLAMP, FUEL LINE RED	2
14	46704	GAS CAP 1-1/2-7 THD BLK	1
15	57444	TIE, CABLE BLACK NYLON 5.62 L	1
16	320031	THROTTLE CONTROL	1
17	274707	SCREW, 10-24X .50 WAHMA	2
18	308459	NUT, #10-24 HXHDNYLK	2
19	50607	KNOB, ROUND THROTTLE BLACK	1

30 LAWN TRACTOR MODEL D3554-400

PRE-PAINTED DECK



NOTE: ALWAYS USE ORIGINAL EQUIPMENT PARTS.
 Use of service/replacement parts other than original equipment parts may void your warranty.

ALL UNNUMBERED ITEMS ARE INTERCHANGEABLE WITH OPPOSITE SIDE

328680D

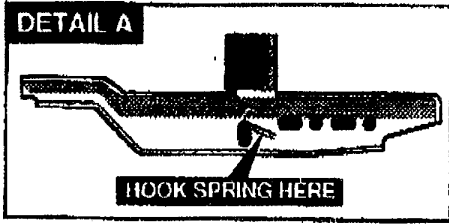
38" LAWN TRACTOR MODEL D3554-400

KEY#	PART#	DESCRIPTION	QTY
1	325106	DECK,38"SD MOWER	1
2	326295-853	BAR, SKID	1
3	126216	BOLT, 5/16-18X .75 CARR	1
4	120230	BOLT, 5/16-18X1.25 CARR	1
5	0271184	NUT, 5/16-18 HEXKEPS	2
6	57918	GUIDE, BELT 5/16-18 THD	1
7	01498	NUT, 5/16-18 REGHEXCTRLK	1
8	313928	BRACKET, CHUTE	1
9	0180073	SCREW, 5/16-18X .50 HHC	2
10	01498	NUT, 5/16-18 REGHEXCTRLK	2
11	310687	LIFT BRACKET, REAR, RH	1
12	0180077	SCREW, 5/16-18X .75 HHC	2
13	120393	WASHER, FLAT .344X .69X.065	2
14	01498	NUT, 5/16-18 REGHEXCTRLK	2
15	58251	BRACKET,DECK LIFTREAR LH	1
16	0180077	SCREW, 5/16-18X .75 HHC	2
17	120393	WASHER, FLAT .344X .69X.065	2
18	01498	NUT, 5/16-18 REGHEXCTRLK	2
19	315302-853	BRACKET, IDLER SUPPORT	1
20	0300345	SCREW, 5/16-18X1.38 WATAP	1
21	120393	WASHER, FLAT .344X .69X.065	1
22	01498	NUT, 5/16-18 REGHEXCTRLK	1
23	56424-853	QUILL ASSY. 35/39/40/43	2
24	56425	SHAFT/SADDLE 36"	1
25	49562	BRNG, BALL	1
26	50616	DUST SHIELD	1
27	55547	QUILL CASTING	1
28	49562	BRNG, BALL	1
29	50818	SPACER,3.797LGX.669IDX.88OD	1
30	51449	SPACER,438LGX.932ODX.672ID-PM	1
31	313898	PULLEY,26/36" QUILL	1
32	56365	SPECIAL WASHER	1
33	01282	NUT, 7/16-20 WDFLLK	1
34	050634	SCREW, 5/16-18X .88 WAHHTAP	6
35	0300345	SCREW, 5/16-18X1.38 WATAP	1
36	01498	NUT, 5/16-18 REGHEXCTRLK	1
37	312526	LIFT SUPPORT FRONT DECK	1
37A	328155-853	MOUNTING PLATE	1
38	0180075	SCREW, 5/16-18X .63 HHC	4
39	01498	NUT, 5/16-18 REGHEXCTRLK	4
40	58305	LINK BRACKET,DECK FR	1
41	58247	ADJUSTING NUT	2
42	0122017	SCREW, 5/16-18X1.00 HHC	2
43	01498	NUT, 5/16-18 REGHEXCTRLK	2
44	306932	BLADE, 19.69 HI-LIFT	2
45	2493	WASHER, .39IDX1.25DX.07 BELLVIL	6
46	039573	SCREW, 3/8-24X1.00 NYLHHC	2
47	320565-853	IDLER ARM ASSY.	1
48	300490	IDLER ARM	1
49	306973	BRAKE PAD	1
50	41801	RIVET,TRSET .187 DIA X.50LG	2
51	300180	BOLT, .50 X .188 HSH3/8-16	1
52	996416	WASHER,FLAT .391 X 1.— X .125	1
53	45171	NUT,5/16-18 X .75 HHC WHIZ-LOCK	1
54	326249	BRACKET EXTENSION IDLER	1
55	180077	SCREW,5/16-18 X .75 HHC	1
56	1498	NUT, 5/16-18 REGHEXCTRLK	1
57	121954	SCREW,1/4-20X2.00 HHC	1
58	271172	NUT,1/4-20 REGHEXKEPS	2
59	303247	ASSY BLADE BRAKE	1
60	303246	BRAKE ARM	1
61	306973	BRAKE PAD	1
62	135624	RIVET,TRSET .185 DIA X.41	2
63	180075	SCREW,5/16-18X.63 HHC	1
64	120393	WASHER,FLAT .344 X .69 X.65	1
65	1498	NUT, 5/16-18 REGHEXCTRLK	1
66	315306	ROD,BRAKE	1
67	1502	NUT,1/4-20 REGHEXCTRLK	1

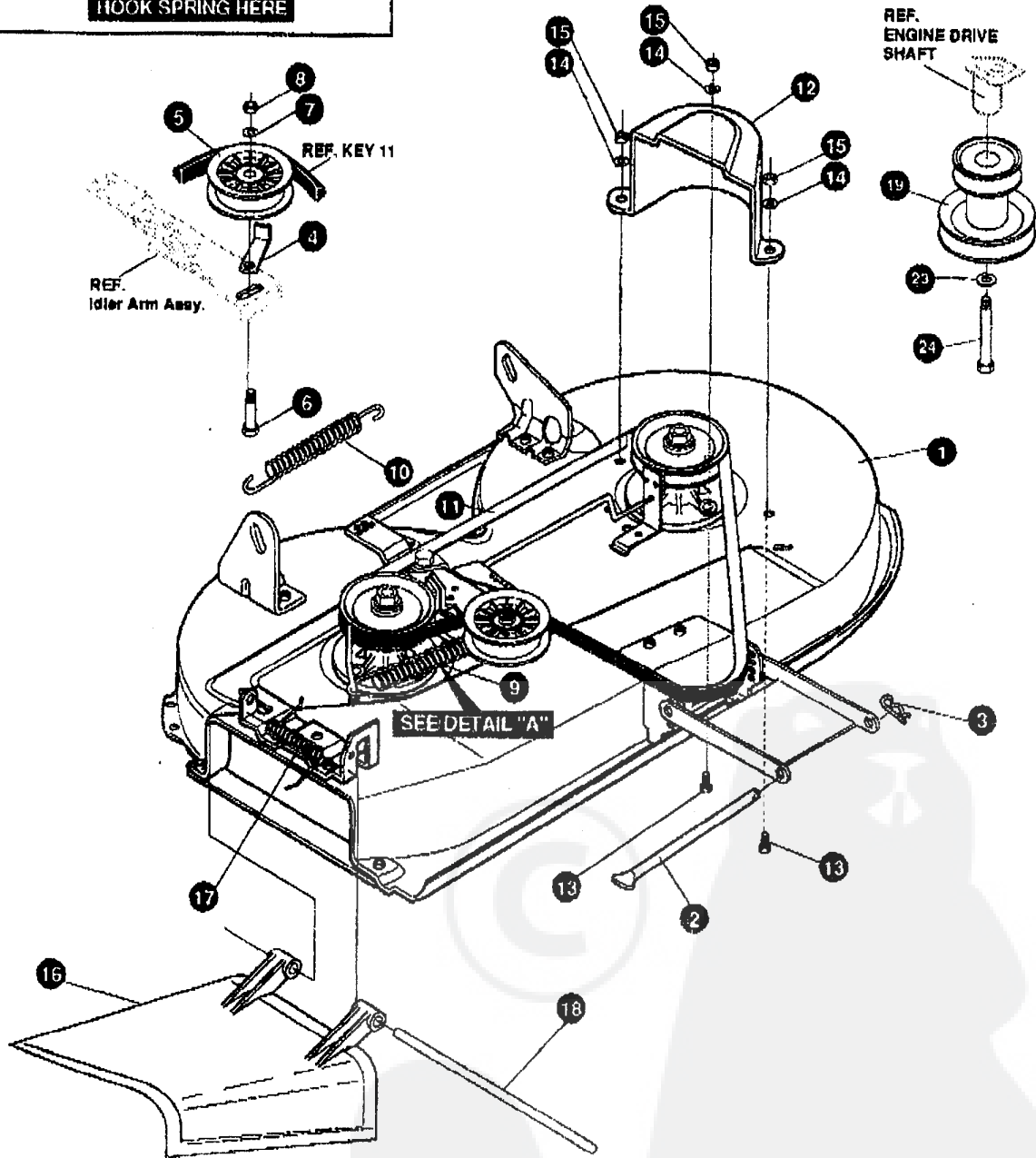
◊ Indicates STANDARD HARDWARE ITEMS

38" LAWN TRACTOR MODEL D3554-400

FINAL DECK ASSEMBLY



SEE DWG. 328680 FOR PART ASSY OF PAINTED DECK



NOTE: ALWAYS USE ORIGINAL EQUIPMENT PARTS. Use of service/replacement parts other than original equipment parts may void your warranty.

ALL UNNUMBERED ITEMS ARE INTERCHANGEABLE WITH OPPOSITE SIDE

328679C

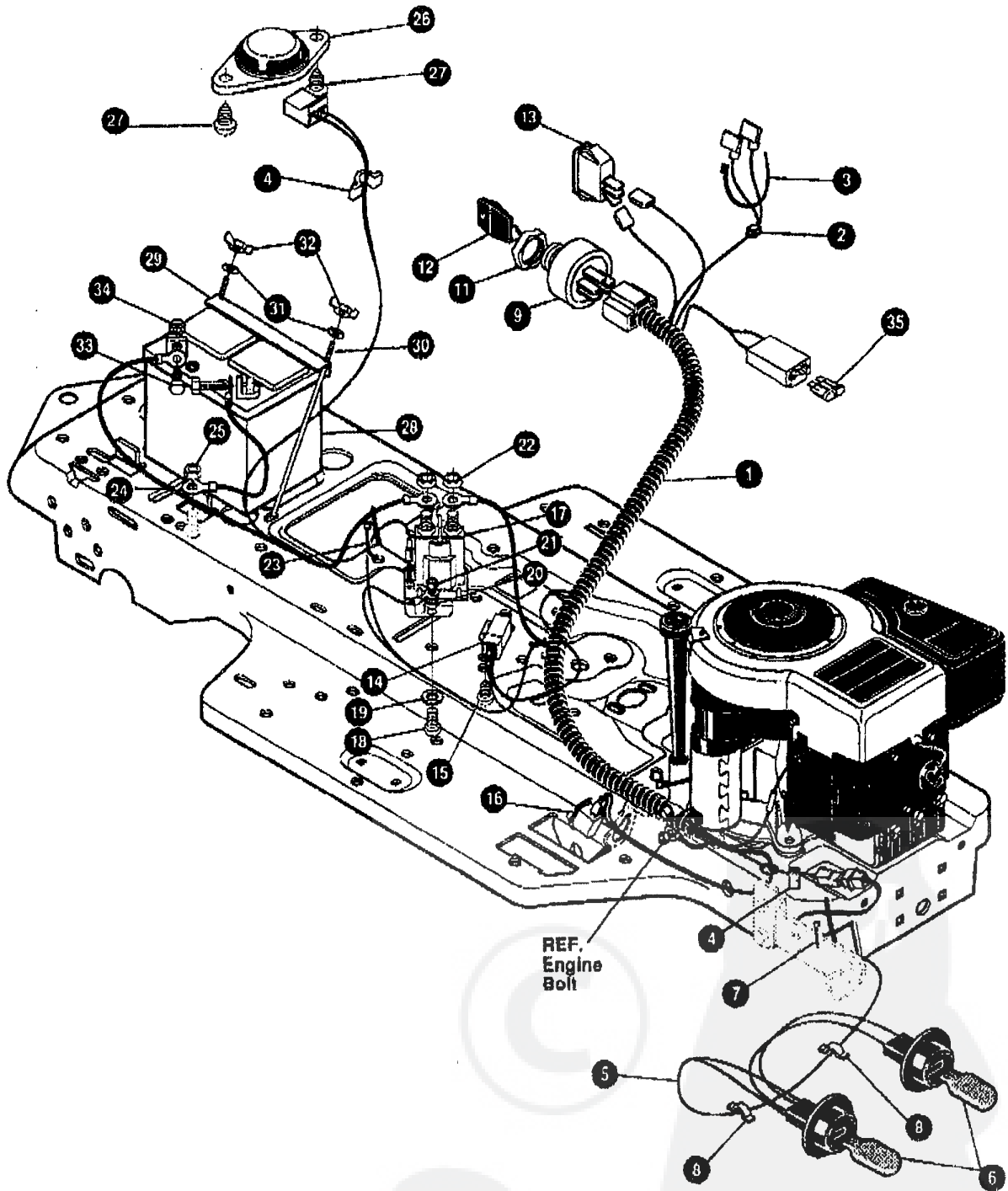
38" LAWN TRACTOR MODEL D3554-400

KEY#	PART#	DESCRIPTION	QTY.
1	A	ASSY DECK 38" SUS FOR AIR	1
2	58306	ROD, DECK HITCH	1
3	8260	PIN, HAIR .091 DIA X 1.86	1
4	1346	BELT RETAINER 2.55 OD	1
5	310326	PULLEY, IDLER BFF 4.00	1
6	57325	BOLT, 3/8-16 X 2.00 CARR	1
7	120382	WASHER, REGSPTLK.393X.68X.10	1
8	120377	NUT, 3/8-16 REGHX	1
9	322064	SPRING .071 X .62 X 4.37	1
10	328256	SPRING TENSION	1
11	300680	BELT, V 5L 77.75	1
12	328257	GUARD, BELT LH	1
13	180075	SCREW, 5/16-18 X .63 HHC	3
14	120398	WASHER, FLAT .344X .68X.065	3
15	1498	NUT, 5/16-18 REGHEXCTRLK	3
16	57818	CHUTE-36SD,39SD	1
17	314975	SPRING, TORSION	1
18	57317	PIVOT ROD, CHUTE	1
19	328034	PULLEY ENG.	1
23	120383	WASHER, REGSPTLK	1
24	433146	SCREW, 7/16-20 X 4.25	1

* ORDER DECK KIT# 329456 FOR COMPLETE DECK.

38" LAWN TRACTOR MODEL D3554-400

ELECTRICAL ASSEMBLY



REF.
Engine
Bolt

NOTE: ALWAYS USE ORIGINAL EQUIPMENT PARTS.
Use of service/replacement parts other than original equipment parts may void your warranty.

**ALL UNNUMBERED
ITEMS ARE INTERCHANGEABLE
WITH OPPOSITE SIDE**

326872A

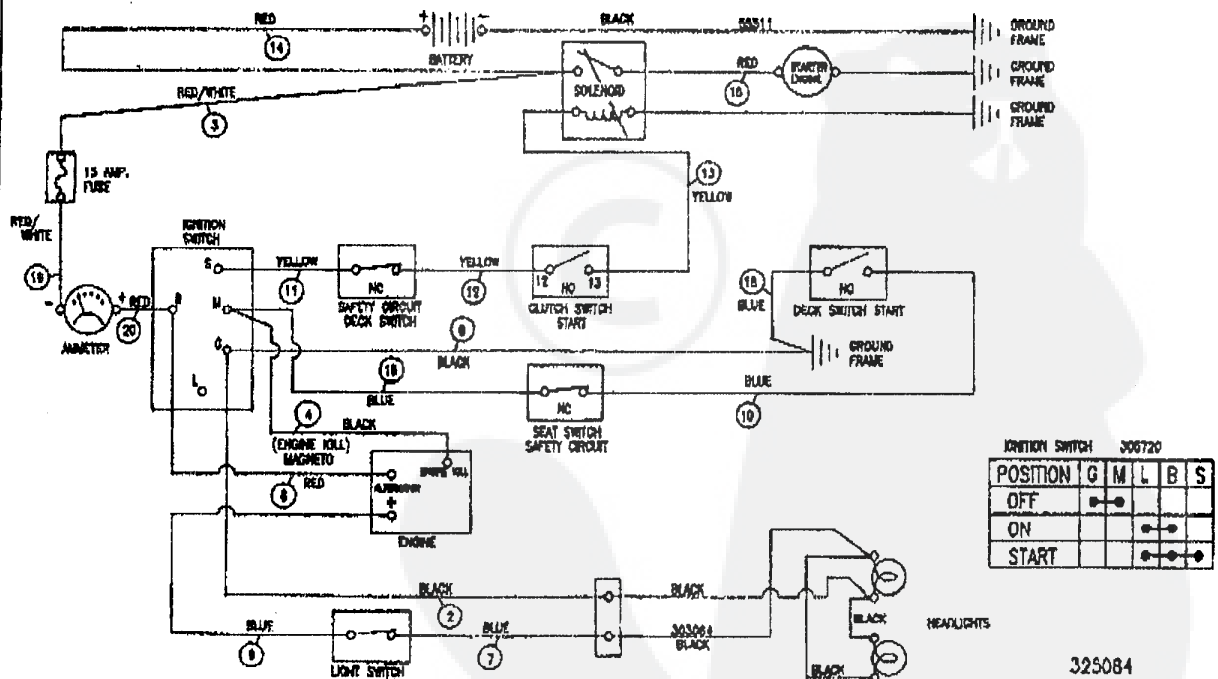
38" LAWN TRACTOR MODEL D3554-400

KEY#	PART#	DESCRIPTION	QTY
1.	325084	WIRE HARNESS SF 12B&S IC W/AMM	1
2.	322298	SPLICER	1
3.	57444	TIE,CABLE	1
4.	41482	PRESS CLIP,1.380LG .255ID	2
5.	303064	ASSY,LIGHT WIRE-1/4 TURN	1
6.	316823	BULB, HEADLAMP	2
7.	57444	TIE, CABLE BLACK NYLON 5.62L	1
8.	41482	PRESS CLIP,1.380LG .255ID	2
9.	327355	SWITCH-IGN,(AFTER FIRE) 3 POSN	1
11.	327352	NUT, 5/8-8 ACME DELTA	1
12.	327350	KEY, IGNITION SWITCH,STEEL	1
13.	300334	LIGHT SWITCH ON/OFF PANEL MNT	1
14.	67476	SWITCH,SCR MNT DP NC NO BLK	1
15.	57220	SCREW, #12 X .50 PHPNHTAP BLK	2
16.	326659	SWITCH,SNAPMNT NO .055X.116BLK	1
17.	53716	SOLENOID	1
18.	187745	SCREW, 1/4-20X .75 HXSEMMA	2
19.	1084	WASHER, FLAT .281X1.00X.063PL	1
20.	1502	NUT, 1/4-20 REGHEXCTRLK	2
21.	271172	NUT, 1/4-20 REGHEXKEPS	1
22.	271187	NUT, 5/16-24 HKEPS	2
23.	57444	TIE, CABLE BLACK NYLON 5.62L	1
24.	55511	WIRE, GROUND, 12.5"	1
25.	271184	NUT, 5/16-18 HEXKEPS	1
26.	67547	SWITCH, SEAT	1
27.	160505	SCREW, 1/4-20X .38PHPNHMA	2
28.	302257	BATTERY, YUASA 12V 5-PLATE	1
29.	324719	BATTERY BRACKET	1
30.	40234	BATTERY ROD	2
31.	120392	WASHER, FLAT .281X .63X.065	2
32.	325232	WINGNUT, 1/4-20 NYLON	2
33.	120854	SCREW, 1/4-20X .63 HHC	2
34.	271172	NUT, 1/4-20 REGHEXKEPS	2
35.	302031	FUSE, 15 AMP SPADE TYPE	1

• STANDARD HARDWARE ITEMS

** Spade type fuse included with the wire harness.

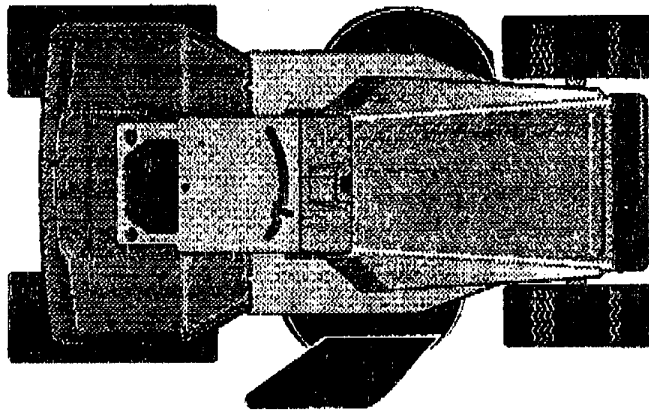
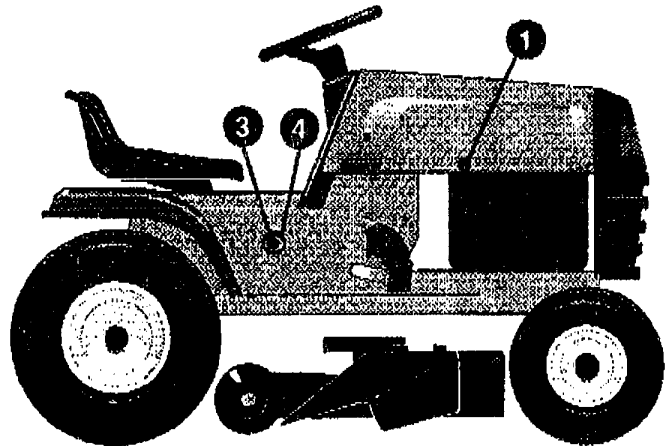
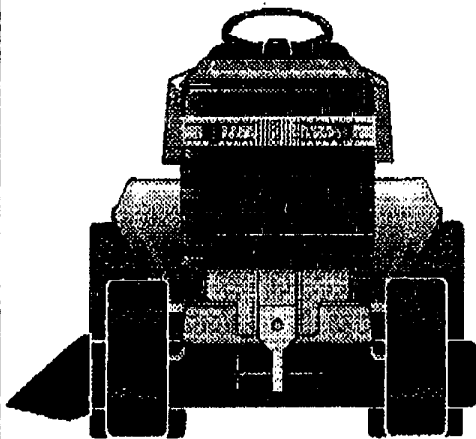
SCHEMATIC DRAWING



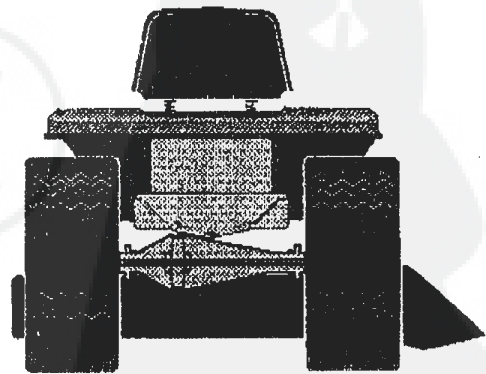
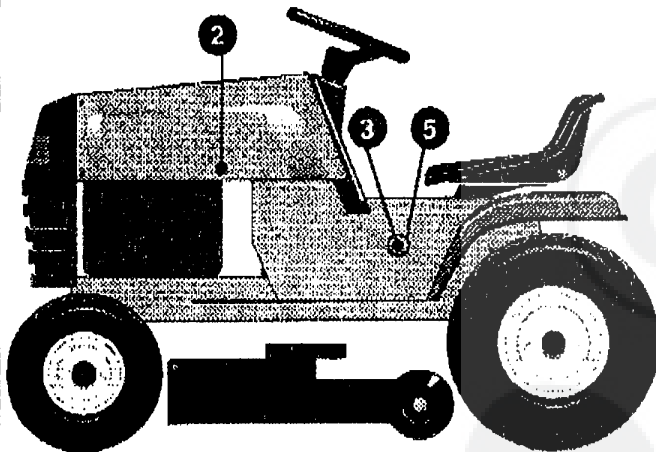
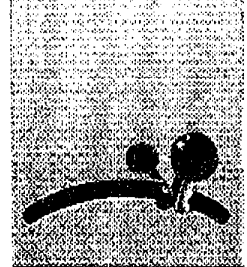
325084

38" LAWN TRACTOR MODEL D3554-400

DECALS (DECORATIVE)



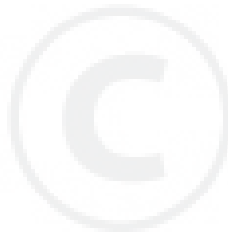
CONSOLE DETAIL



329412A

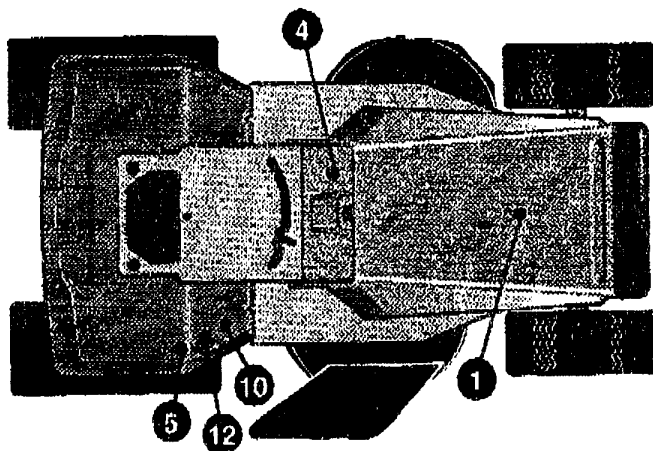
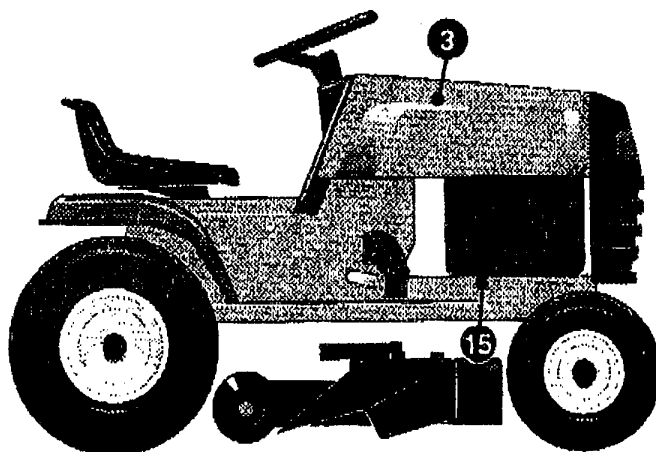
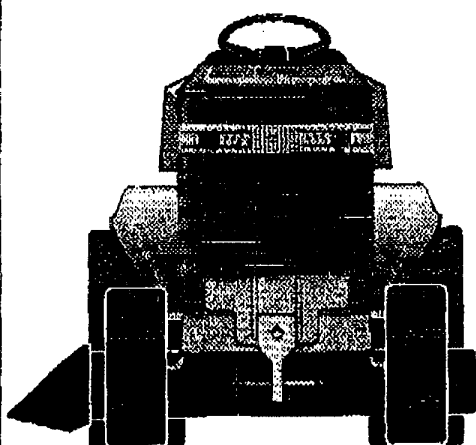
38" LAWN TRACTOR MODEL D3554-400

KEY#	PART#	DESCRIPTION	QTY
1.	314456	DECAL, HOODSIDE RH H-21	1
2.	314457	DECAL, HOODSIDE LH H-21	1
3.	314208	NAMEPLATE, 12/38	2
4.	320872	DECAL, CONSOLE RH STRETCH FRM	1
5.	320873	DECAL, CONSOLE LH STRETCH FRM	1

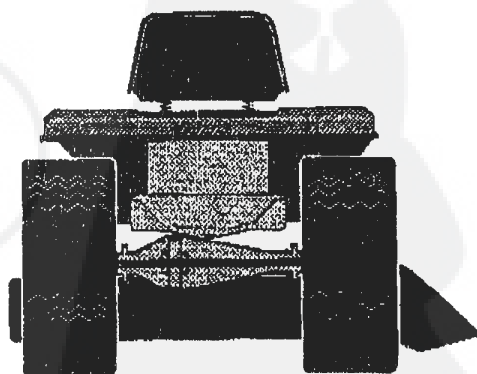
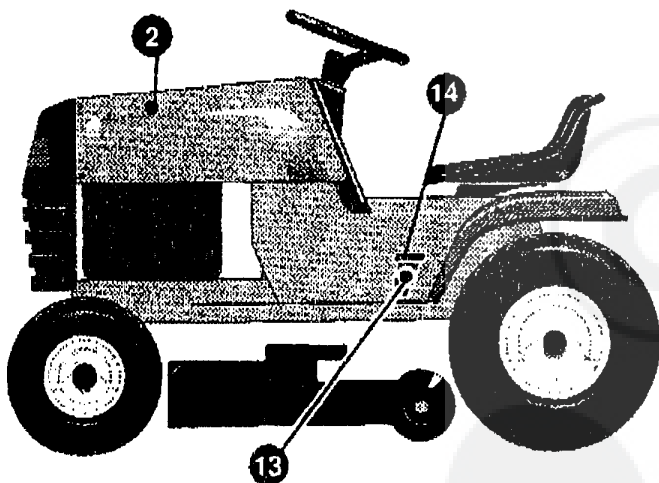
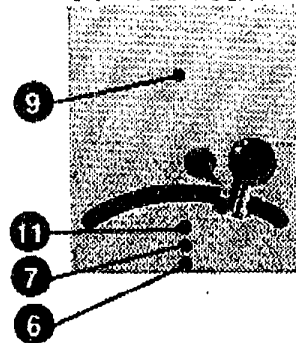


38" LAWN TRACTOR MODEL D3554-400

DECALS (INSTRUCTIONAL)



CONSOLE DETAIL



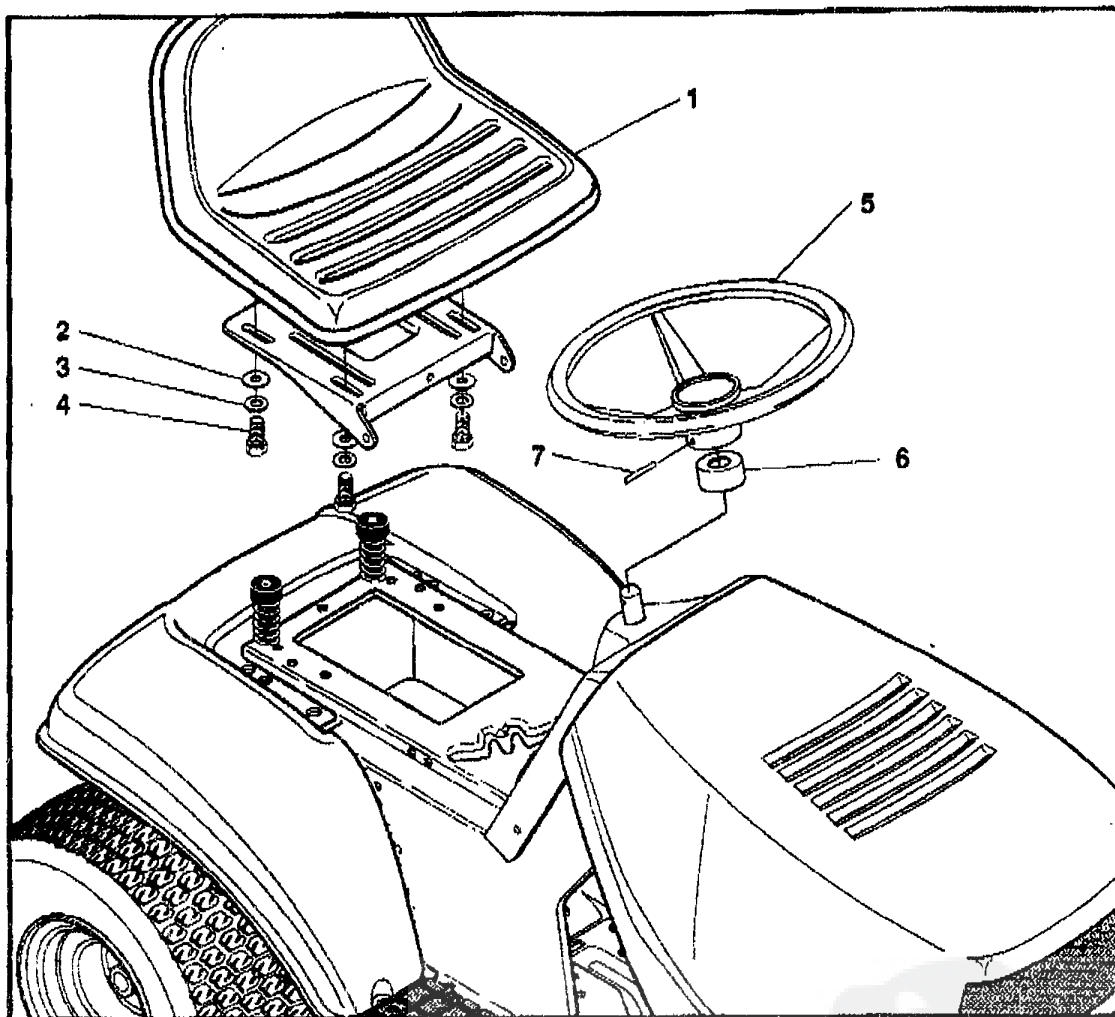
329411A

38" LAWN TRACTOR MODEL D3554-400

KEYy#	PART#	DESCRIPTION	QTY.
1.	55832	PAD, FOAM TOP HOOD H-4	1
2.	55833	PAD, FOAM HOOD H-4 SIDE LH	1
3.	55834	PAD, FOAM HOOD H-4 SIDE RH	1
4.	324989	DECAL DASH, DYNAMARK	1
5.	68902	DECAL, WARNING, FRENCH/GERMAN	1
6.	69524	DECAL, INSTRUCT CONSOLE TOP GER	1
7.	69525	DECAL, INSTRUCT CONSOLE TOP FR	1
8.		REFERENCE ONLY	
9.	301104	DECAL, CONSOLE TOP SHIFT 5-SP	1
10.	305770	DECAL, CAUTION TRIANGLE EUROPE	1
11.	307383	DECAL, INSTR. CONSOLE TOP ENGL	1
12.	310553	DECAL, DANGER ENGLISH	1
13.	320892	DECAL, INST. PEDAL LIFT	1
14.	327146	DECAL, PEDAL-LIFT INDICATOR	1
15.	68903	DECAL, BRAKE/CLUTCH EUROPE	1

38" LAWN TRACTOR MODEL D3554-400

CUSTOMER ASSEMBLY



CUSTOMER ASSEMBLY VIEW

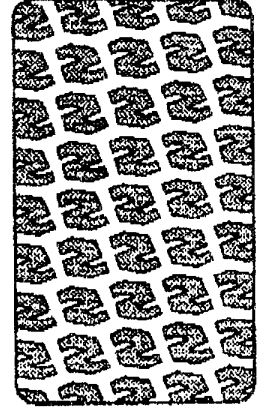
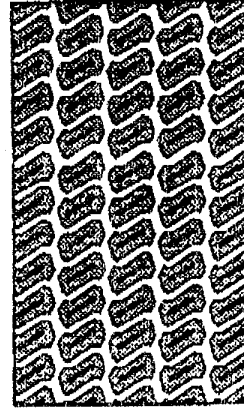
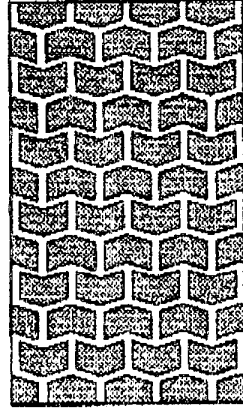
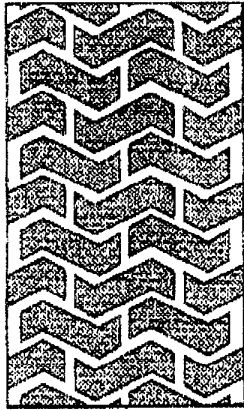
315134 PARTS BAG ASSY QTY1

KEY#	PART#	DESCRIPTION	QTY
1	304314	SEAT MV350	1
2	120393	WASHER,FLAT .344X.69X.065	4
3	120638	WASHER, HV SPL TLK .328X.60X.109	4
4	122007	SCREW, 5/16-18X.75 HHC	4
5	301251	STEERING WHEEL	1
6	323758	STEERING, SLEEVE	1
7	456378	ROLL PIN .250DIA X 2.0LG	1

316235C

38" LAWN TRACTOR MODEL D3554-400

TREAD PATTERNS



"A"

"B"

"C"

"D"

TIRE SIZE	"A"	"B"	"C"	"D"
11 X 4.00 - 5	42295	319679		
13 X 5.00 - 6	41060	319680		
15 X 6.00 - 6	39830	316702	301140	313952
16 X 6.50 - 8	41081	319682		314539
18 X 8.50 - 8	319683	317400		
18 X 9.50 - 8	41106	316701		313950
20 X 8.00 - 8	319685	319684	57164	314584
20 X 10.00 - 8	58276	319686		313654
20 X 10.00 - 10	55893	319687		
23 X 9.50 - 12	53655	319690	319689	314370

ACCESSORIES

Contact the dealer where your tractor was purchased for the available accessories. If you are unable to contact the dealer, write to the address on the front cover of this manual.

Rear Engine Rider

Model	Description
5708-16	Bagger - Fits 32" Side Discharge
5708-17	Bagger - Fits 36" Side Discharge & 30" Top Discharge
5709-02	Front Weight Box - holds 35 lbs.
5648-16	Lawn Sweeper w/dump Release
5714-00	Mulching Kit - 30" Top Discharge

Lawn Tractor

Model	Description
5708-22	Bagger - Fits 30" Side Discharge
5708-13	Bagger - Fits 36", 38", 39" & 45" Side Discharge
5705-04	36" Two-Stage Snowblower - Fits 36", 38", 39", & 45" Side Discharge
5661-06	42" Snowblade - Fits 36", 38", 39", & 45"
5592-00	Tire Chains - 18" x 6.50"
5585-00	Tire Chains - 18" x 9.50" & 20" x 8"
5672-01	Wheel Weights - Front - 1 pr. w/mtg. hdw. - Fits 15" tires
6673-02	Wheel Weights - Rear - 1 pr. w/mtg. hdw. - Fits 18" & 20" tires
5709-03	Front Weights - Fits 30" & 32" Side Discharge
5648-16	Lawn Sweeper w/dump Release
5714-00	Mulching Kit - 30" Top Discharge

Garden Tractor - Light Ground Engaging

Model	Description
5708-13	Bagger - Fits 36", 38", 39", & 45" Side Discharge
5705-04	36" Two - Stage Snowblower - Fits 36", 38", 39", & 45"
5661-06	42" Snowblade - Fits 36", 38", 39", & 45"
5672-01	Wheel Weights - Front 1 pr. w/mtg. hdw. - Fits 15" tires
5673-02	Wheel Weights - Rear - 1 pr. w/mtg. hdw. - Fits 18" & 20" tires
5648-16	Lawn Sweeper w/dump Release
5667-02	Sleeve Hitch - w/lift bar - Fits 45"
5668-01	Adaptor (sleeve hitch) for use w/23" tires
5706-00	Tire Chains - 20" x 10"
5671-00	Tire Chains - 23" x 9.50"
5672-02	Wheel Weights - Front - 1 pr. w/mtg. hdw. Fits 16" tires
5673-00	Wheel Weights - Rear - 1 pr. w/mtg. hdw. Fits 23" tires
5674-01*	10" One Bottom Moldboard Plow
5675-01*	Cultivator - 7 row - Adj. 6" - 42" width
5676-01*	Disc Harrow - 8" & 11" disc - Adj. width & disc angle
5677-02*	Tiller - 5 H.P. Self-Powered - 28" width

Four Wheel Steer

Model	Description
5708-14	Bagger - Fits 40" & 46" Side Discharge
5705-05	42" One-Stage Snowblower - Fits 40" & 46"
5661-07	48" Snowblade - Fits 40" & 46"
5709-04	Rear Weight Box for 40" & 46"
5648-16	Lawn Sweeper w/dump Release
5706-00	Tire Chains 20" x 10"
5671-00	Tire Chains 23" x 9.50"
5672-02	Wheel Weights - Front - 1 pr. w/mtg. hdw. Fits 16" tires
5673-00	Wheel Weights - Rear - 1 pr. w/mtg. hdw. Fits 23" tires
5672-01	Wheel Weights - Front - 1 pr. w/mtg. hdw. Fits 15" tires
5673-02	Wheel Weights - Rear - 1 pr. w/mtg. hdw. Fits 18" & 20" tires

Two Wheel Steer Garden Tractor

Model	Description
5667-04	Sleeve Hitch - w/lift bar Fits 46"
5674-01*	10" One Bottom Moldboard Plow
5675-01*	Cultivator - 7 row - Adj. 6" - 42" width
5676-01*	Disc Harrow 8" & 11" Disc. Adj. width & disc angle
5677-02*	Tiller 5 H.P. Self-Powered - 28" width
5648-16	Lawn Sweeper w/dump Release

*Requires a sleeve hitch