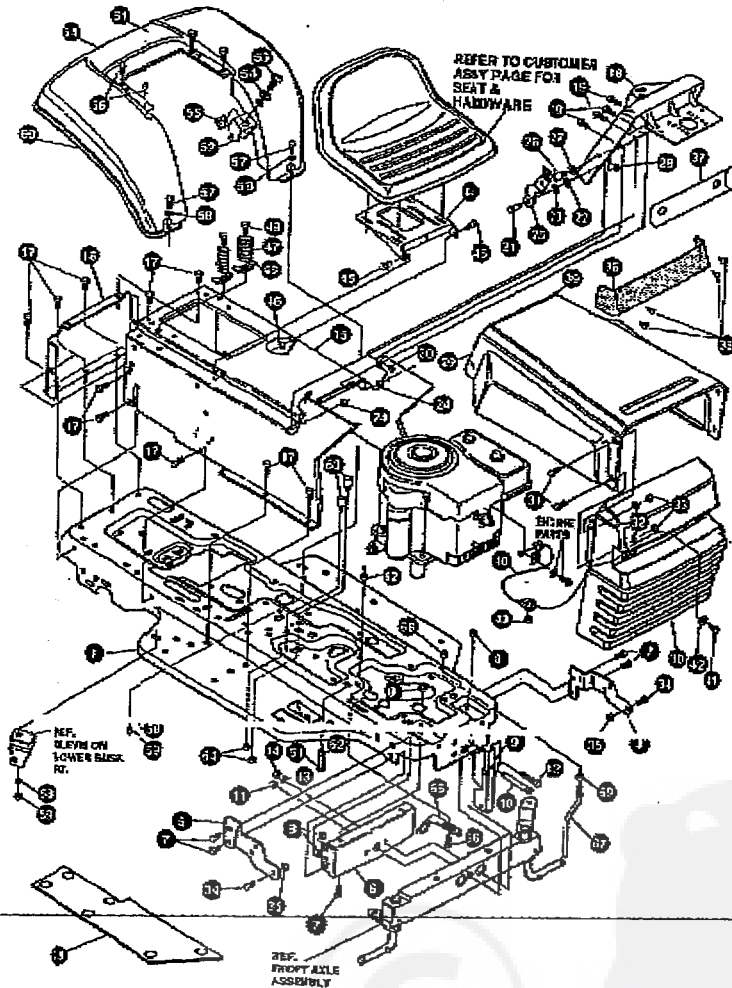


30" LAWN TRACTOR MODEL D3554-410

CHASSIS & HOOD ASSEMBLY



NOTE: ALWAYS USE ORIGINAL EQUIPMENT PARTS. Use of service replacement parts other than original equipment parts may void your warranty.

ALL UNNUMBERED ITEMS ARE INTERCHANGEABLE WITH OPPOSITE SIDE

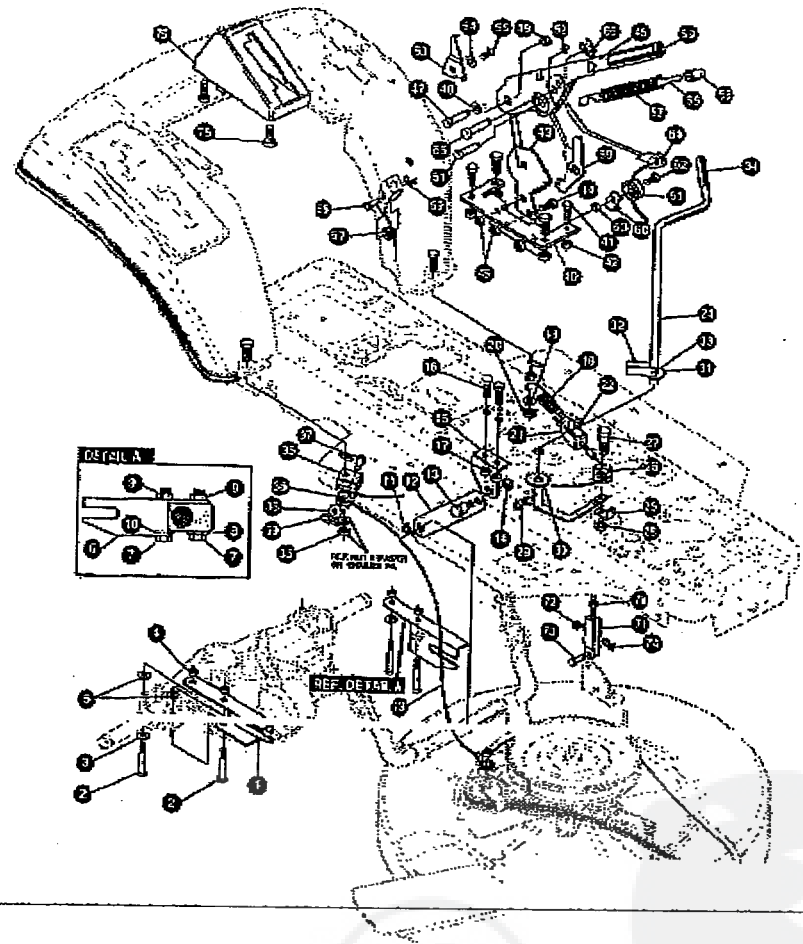
329710A

30" LAWN TRACTOR MODEL D3554-410

key#	part#	description	qty.
1	314883-850	FRAME MAIN SF RIDER	1
2	302917	FOOTPAD L/R	2
3	302918	FOOTPAD R/H	1
4	314579-833	BRACKET GRILLE L-L-253	1
5	314578-833	BRACKET GRILLE RH-253	1
6	30383-853	BRKT SHFT FRT AXLE-853	1
7	328164	SCREW 5/16-18X1.0 DWDFLLK	1
8	85278	NUT 5/16-18 DWDFLLK	1
9	321336-833	HANGER BRKT	1
10	87720	BOLT 625X2.875 SPSH 1/2-20	1
11	274654	NUT 1/2-20 REGHCTRLK	1
12	312201	SCREW 3/8-16X2.75 HHC	1
13	3183	WASHER 3/8X1.25X.07 BELLVE	1
14	1799	NUT 3/8-16 REGHCTRLK	1
15	324748-850	CONSOLE SF DYNA STYLE TOPSH	1
16	85235-850	CONSOLE REAR COVER	1
17	855316	SCREW 1/4-20X .50 WHHTAP	1
18	30166-860	DASH SF ROMA DYNA STYLING	1
19	945338	SCREW 1/4-20X .63 HHWATAP	1
20	54392	NUT 1/4-20 HEXFLK TOP LOCK	1
21	8187	BOLT 3/16X .156 HEX 8/18-18	1
22	120884	WASHER FLAT .406X .87X .065	1
23	120890	WASHER FLAT .344X .63X .065	1
24	1498	NUT 5/16-18 REGHECTRLK	1
25	57150	LATCH 1/4WDX.047 ASSY HOOD	1
26	33448	PIN 5/16-18 HOOD LATCH	1
27	13538	WASHER REDNTRK 3/8X.81X.03	1
28	48174	NUT 5/16-18 HEXWFLK WHIZ	1
29	318538-860	HOOD	1
30	325401	GRILLE DYNA-PRO	1
31	278772	SCREW 1/4-20X .53 WHHHC	1
32	122822	WASHER FLAT .281X .63X .065	1
33	1592	NUT 1/4-20 REGHECTRLK	1
34	36449	BOLT .375X .500 HH83 5/16-18	1
35	1498	NUT 5/16-18 REGHECTRLK	1
36	322333	LENS HEADLAMP	1
37	314948	FOL LENS DYNA-PRO REFLECTOR	1
38	57786	SCREW 8# X .50 PLASTIC	1
39	47453	EDGING WIRE BLK	1
40	31184	LANYARD HOOD	1
41	13287	SCREW 1/4-20 X .75 HHC	1
42	128382	FLATWASHER .281 X .63 X .065	1
43	1802	LOCKWAT 1/4-20	1
44	88287	PLATE SEAT F 6 SF AIF	1
45	20407	BOLT .437X .125 HH51 5/16-18	1
46	1498	NUT 5/16-18 REGHECTRLK	1
47	32820	SPRING 1.83X2.88X .183 COM SEAT	1
48	1341	CLAMP SPRING L 17 IE	1
49	583348	SCREW 1/4-20X .60 WHHTAP	1
50	A	FENDER ASM	1
51	321156-880	FENDER FS-SOFLCF	1
52	9239	CLEVIS	1
53	439455	SCREW 5/16-18X.58	1
54	---	---	---
55	120378	NUT 5/16-18	1
56	995346	SCREW 1/4-20X .50 WHHTAP	1
57	122027	SCREW 5/16-18X1.25 HHC	1
58	448663	WASHER FLAT .375X .63X .082	1
59	1498	NUT 5/16-18 REGHECTRLK	1
60	5591	TRIM	1
61	48330	SCREW .08-16X.850 H-C	1
62	1498	NUT 5/16-18 REGHECTRLK	1
63	53418	PIN 5/16-18	1
64	271184	NUT 5/16-13 HEX KEPS	1
65	302110-833	BRACKET SWITCH MOUNT	1
66	395316	SCREW 3/8-20X .50 WHHTAP	1
67	50621	GUIDE BELT	1
68	41528	NUT 3/8-16 HCTRLK MM	1
69	271180	NUT 3/8-16 HEX KEPS	1
70	329733	PAR FS MANUAL	1
71	329737	OPERATORS MANUAL (ENGLISH)	1
72	329738	OPERATORS MANUAL (FRENCH)	1
73	329739	OPERATORS MANUAL (GERMAN)	1
74	323020	OPERATORS MANUAL (ENGLISH)	1
75	323207	GRASS CATCHER MANUAL (FRENCH)	1
76	323208	GRASS CATCHER MANUAL (GERMAN)	1

30" LAWN TRACTOR MODEL D3554-410

LOWER SUSPENSION



NOTE: ALWAYS USE ORIGINAL EQUIPMENT PARTS. Use of service/replacement parts other than original equipment parts may void your warranty.

ALL UNNUMBERED ITEMS ARE INTERCHANGEABLE WITH OPPOSITE SIDE

32102H1

12/09/2004 08:42
 May 11 04 10:06a

+441279726865
 Murray Inc.

ANNE CAMPBELL
 6153796792

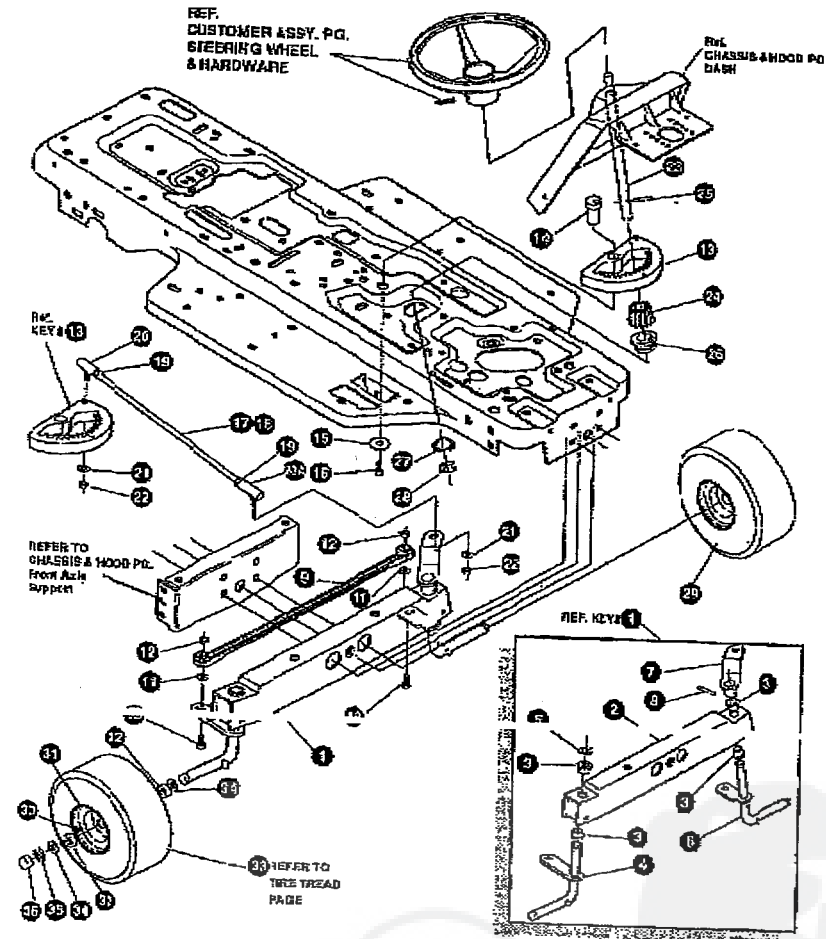
PAGE 02/14
 p.5

30" LAWN TRACTOR MODEL D3554-410

key#	part#	description	qty.
1	321971	BRACKET REAR SUPPORT, RH	1
2	122089	SCREW #6-18 X 1.5 HHC GR2	1
3	120393	WASHER FLAT, .344 X .60 X .085	1
4	1498	NUT, 5/16-18 REG HEX CTRLK	1
5	314702	SPACER SLEEVE, .344 X 1.00 X .500	1
6	321370	BRACKET REAR SUPPORT, LH	1
7	120093	SCREW #6-18 X 1.5 HHC	1
8	130593	WASHER FLAT, .344 X .60 X .085	1
9	1498	NUT, 5/16-18 REG HEX CTRLK	1
10	314702	SPACER SLEEVE, .344 X 1.00 X .500	1
11	54180	PIN, HAIR, .091 DIA X 1.62 LG	1
12	323889	BRACKET LIFT BAR	1
13	3 3560	BOLT, 5/16-18 REG HEX CTRLK	3
14	1498	NUT, 5/16-18 REG HEX CTRLK	1
15	320405	BRACKET LIFT BAR	1
16	160077	SCREW #5-16 X 1.5 HHC	1
17	1498	NUT, 5/16-18 REG HEX CTRLK	1
18	310473	SPRING TENSION 7.52 LG-17 LB-IN	1
19	418524	WASHER FLAT, .344 X 1.13 X .062	1
20	1498	NUT, 5/16-18 REG HEX CTRLK	1
21	8466	CLEVIS, LIFT CABLE	1
22	120379	NUT, 1/4-20 REG SO	1
23	322261	CABLE CLUTCH	1
24	314877	LEVER CLUTCH	1
25	1293	BRACKET CABLE RETAINER	1
26	49366	PULLEY POWDER METAL	1
27	53036	BOLT, 3/8 X .975 HHS-1	1
28	1532	NUT, 1/4-20 REG HEX CTRLK	1
29	8250	PIN, HAIR, .091 DIA X .61 LG	1
30	993425	WASHER FLAT, .515 X .38 X .084	1
31	22265	WASHER FLAT, .515 X .38 X .119	1
32	302225	LF STOP PTO ENGAGEMENT	1
33	305385	PIN, SPRING, .870 DIA X .73 HD	1
34	48378	GRIP HAND	1
35	321295-053	CLEVIS, PTO	1
36	48003	PULLEY POWDER METAL	1
37	304317	PIN, CLEVIS	1
38	993416	WASHER FLAT, .391 X 1.00 X .125	1
39	9359	PIN, HAIR, .091 DIA X 1.61 LG	1
40	68333	BRACKET HEIGHT ADJUST	1
41	180077	SCREW #12-13 X .75 HHC	1
42	1468	NUT, 5/16-18 REG HEX CTRLK	1
43	301833	QUADRANT HEIGHT ADJUST	1
44	120077	SCREW #15-18 X .75 HHC	1
45	1498	NUT, 5/16-18 REG HEX CTRLK	1
46	322292-853	HANDLE LIFT HEIGHT ADJUST	1
47	300171	BOLT, .500 X .270 HHS 2/16-18	1
48	996413	WASHER FLAT, .506 X .35 X .084	1
49	41188	NUT, 5/16-18 REG HEX CTRLK	1
50	301239	PAWL HEIGHT ADJUST	1
51	300171	BOLT, .500 X .270 HHS 2/16-18	1
52	44115	NUT, 5/16-18 REG HEX CTRLK	1
53	9457	POINTER HEIGHT ADJUST	1
54	35237	SCREW #12-13 X .75 HHC	1
55	303027	ROD ACTUATOR STOP	1
56	35036	SPRING HEIGHT ADJUST	1
57	58335	KNOB, HEIGHT PUSH BUTTON	1
58	58339	GRIP, .750 OD WHOLE BLACK	1
59	8141	BRACKET CABLE RETAINER	1
60	49396	PULLEY POWDER METAL	1
61	98348	BOLT, 3/8 X .975 HHS 1/4-20	1
62	1502	NUT, 1/4-20 REG HEX CTRLK	1
63	324430	CABLE LIFT 20.50	1
64	300619	PIN, CLEVIS	1
65	300111	PULLEY POWDER METAL	1
66	48326	PIN, CLEVIS, .33 DIA X .81	1
67	300317	PIN, HAIR	1
68	8260	NUT, 1/4-20 REG HEX	1
69	120975	CLEVIS LIFT CABLE	1
70	9403	NUT, 1/4-20 REG SO	1
71	120372	PIN, CLEVIS, .312 X .642	1
72	39522	PIN, COTTER	1
73	121222	LIFT COVER-37 FG	1
74	300395	SCREW, #10 X .75 HH PLAST	1
75	300340		1

30" LAWN TRACTOR MODEL D3554-410

STEERING ASSEMBLY



NOTE: ALWAYS USE ORIGINAL EQUIPMENT PARTS Use of service/replacement parts other than original equipment parts may void your warranty.

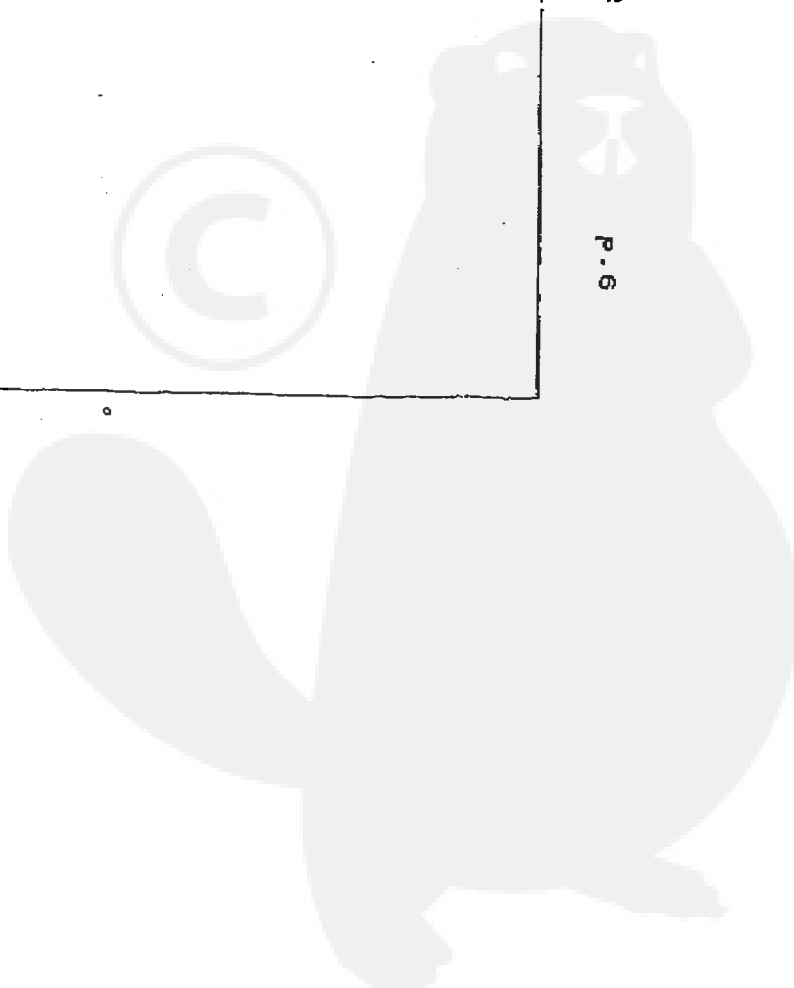
ALL UNNUMBERED ITEMS ARE INTERCHANGEABLE WITH OPPOSITE SIDE

521216F

30" LAWN TRACTOR MODEL D3554-410

key#	part#	description	qty.
1.	*	FRONT AXLE ASSEMBLY SF	1
2.	5540-553	AXLE FRONT	1
3.	52516	BEARING FLANGE	1
4.	310363	SPINDLE, RH	1
5.	36525	RING, RETEX	1
6.	310367	SPINDLE, LH	1
7.	49447	ARM, STEERING LH	1
8.	454665	PIN, SPRING	1
9.	302691	TIE ROD	1
10.	122145	SCREW, 3/8-16X1.25 HHC	2
11.	120462	WASHER, 3/8X.68X.10 REGSPTLK	2
12.	1454	NUT 3/8-16 REGGTRLK	2
13.	804245	SECTOR GEAR	1
14.	44011	BOLT, 7/8X1.40 SPSH	1
15.	2481	WASHER, 3/8 DK 2800X.07	1
16.	29533	SCREW, 3/8-24X1.00-NYL	1
17.	56111	DRAG LINK ASSEMBLY	1
18.	56110	DRAG LINK	1
19.	124185	NUT, 3/8-24 REGHEX JAM	2
20.	21275	BALL JOINT	1
20A	57118	BALL JOINT	1
21.	120382	WASHER, REGSPTLK	2
22.	120359	NUT 3/8-24 REGHEX	2
23.	31409	STEERING SHAFT	1
24.	44009	PINION, STEERING SHAFT	1
25.	454655	PIN, SPRING	1
26.	54932	BEARING, 1.370X.30 FLANGE STEERING	1
27.	59432	RING, RETEX 1.37X.05	1
28.	36625	RING, RETEX .57X.05	1
29.	*	ASSEMBLY, TIRE & RIM	1
30.	24167	VALVE STEM	1
31.	39507	WHEEL W/BEARING	1
32.	39939	BEARING, 1.280X.75X10 FLANGE	2
33.		REFER TO TIRE TREAD PAGE	
34.	642	WASHER, FLAT .75X1.21X.075	4
35.	36625	RING, RETEX .57X.05	2
36.	40394	HUBCAP	2

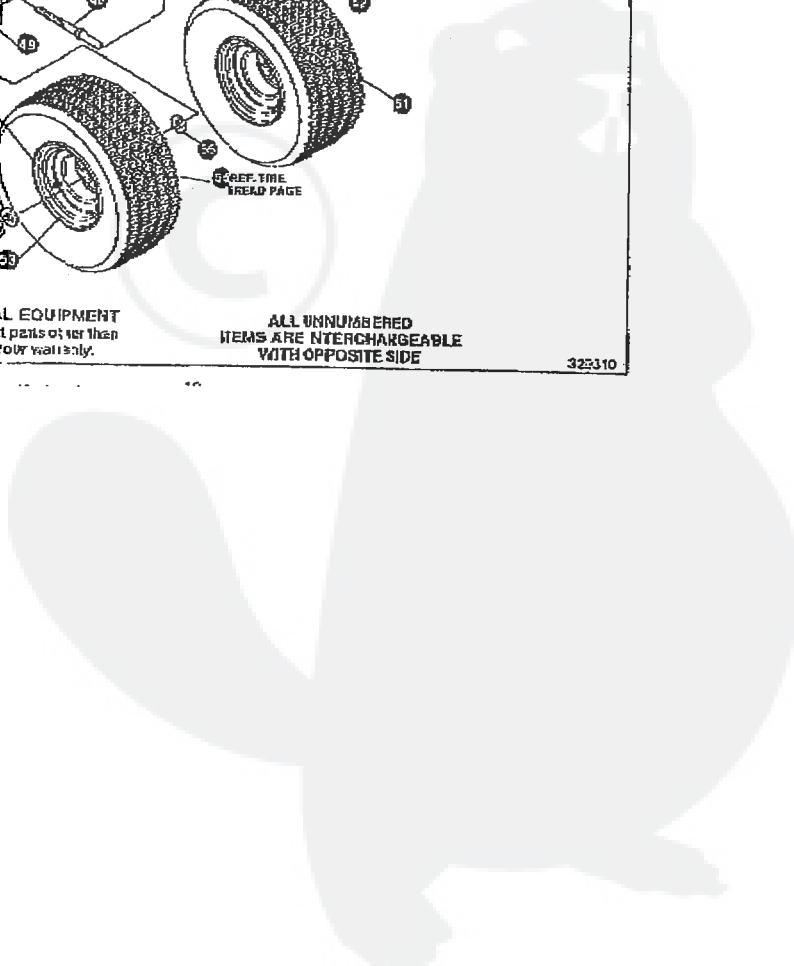
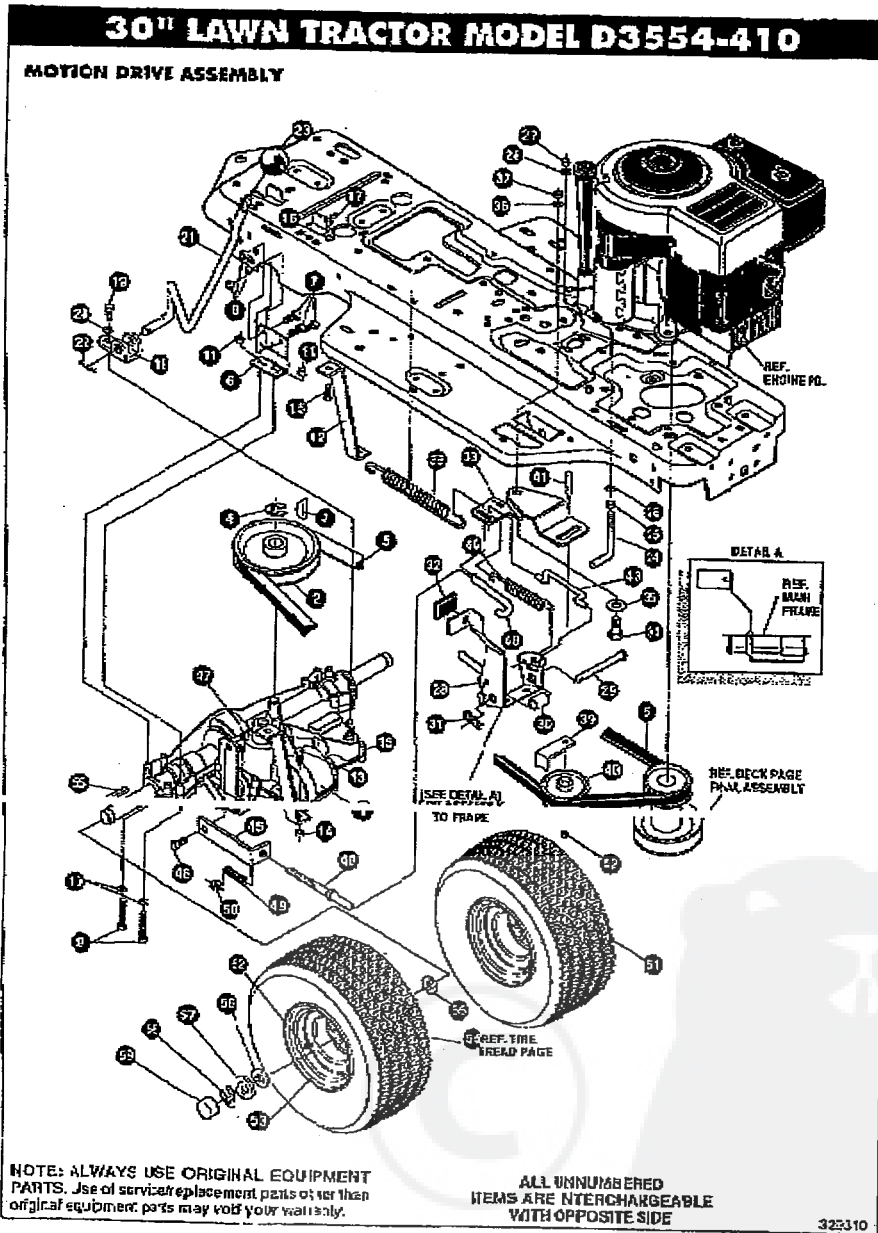
* ORDER INDIVIDUAL PARTS.



ANNE CAMPBELL

+441 279726865

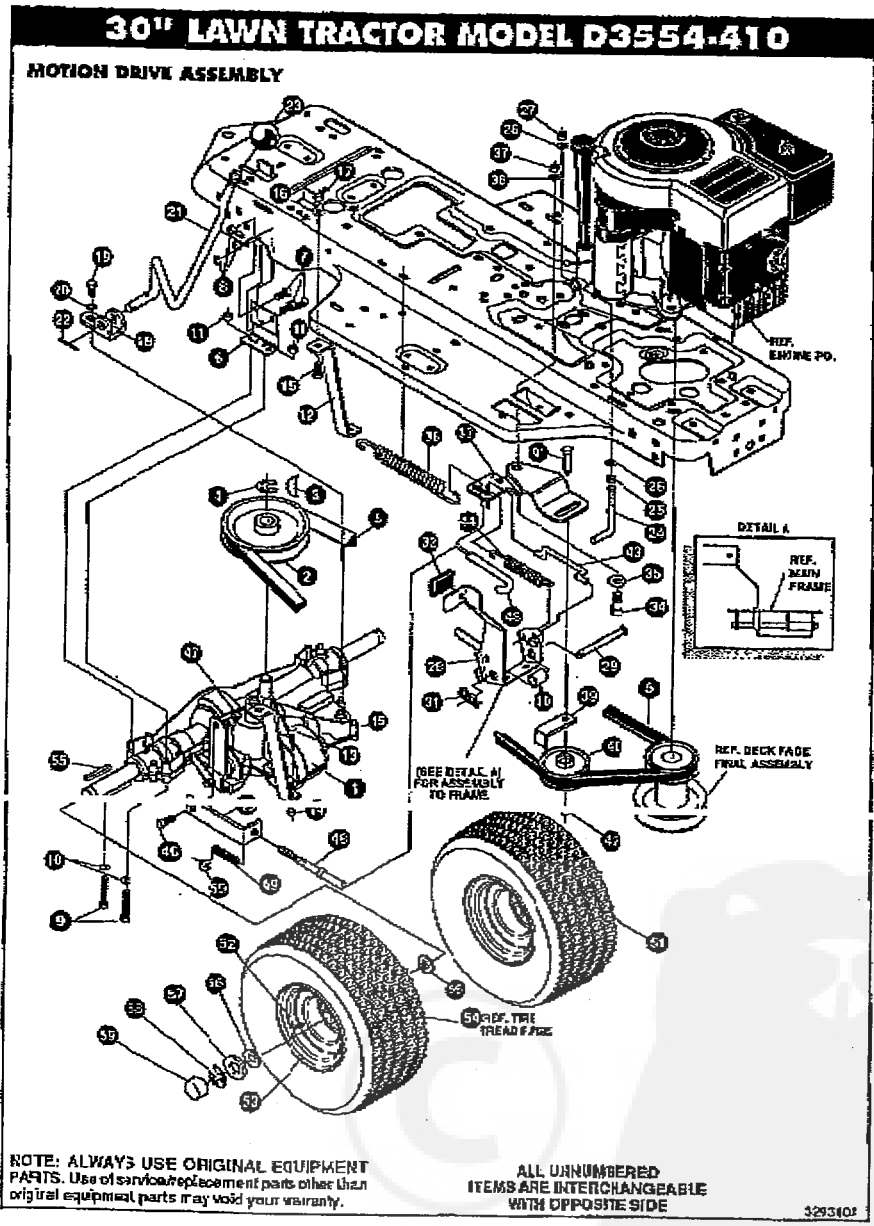
08:42 12/05/2004



30" LAWN TRACTOR MODEL D3554-410

key#	part#	Description	QTY
1.	A	TRANSAXLE, P04C-3 SPEED	1
2.	302745	PULLEY, IDLER V4L 5.60X	1
3.	3021	KEY, WDRF 60S .750X 167X.812	1
4.	22053	RING, RETEX .58X.085TRUB12C-62	1
5.	54764	BELT V 4L 82.00 EF DRIVE	1
6.	83764-653	BRACKET, TRANSAXLE	2
7.	160075	SCREW, 5/16-18X.53 HD-C	6
8.	1495	NUT, 5/16-18 REG-HEXCTRUK	6
9.	160038	SCREW, 5/16-18X.25 HHC	4
10.	183323	WASHER, FLAT .24X .69X.061	4
11.	1488	NUT, 5/16-18 REG-HEXCTRUK	4
12.	323218	STABILIZER BRKT	1
13.	180037	SCREW, 5/16-18X.00 H88G	1
14.	1495	NUT, 5/16-18 REG-HEXCTRUK	1
15.	122017	SCREW, 5/16-18X.00 HHC	1
16.	138089	WASHER, EXLK .88X.61X.03	1
17.	1498	NUT, 5/16-18 REG-HEXCTRUK	1
18.	12516	BRKT, SHIFT P220-5 3SP	1
19.	56235	SCREW, 1/4-28X .76 NYLON-C	1
20.	57157	WASHER, 750X 250 8P-TRANSAXLE	1
21.	313334	LEVER, SHIFT 9MTA	1
22.	137485	PIN, COTTER, 123 DIA X1.00; G	1
23.	55514	KNOB, BOUND 1.30 DIA	1
24.	48816	BELT GUIDE	1
26.	271164	NUT, 5/16-18 HEMPHS	1
28.	120293	WASHER, FLAT .34X .68X.061	2
27.	1496	NUT, 5/16-18 REG-HEXCTRUK	1
28.	302703	ASSY, BRAKE PEDAL S.F.	1
29.	819476	NOO, PINOT	1
30.	302701	SPACER, SLEV 53 X .62X1.406	1
31.	56180	PIN, HAIR	1
32.	48751	PAD, CLUTCH BRAKE PEDAL	1
33.	321669	IDLER ARM BRK TRACTOR	1
34.	41830	BOLT, 625K .218 HNSH 5/16-18	1
35.	4107	WASHER, FLAT .35X .61X.07	1
36.	45632	WASHER, FLAT .385X .67X.19	1
37.	1494	NUT, 5/16-18 REG-HEXCTRUK	1
38.	327367	SPRING, 3/4 00X5.75X.091	1
39.	39659	RETAINER, BELT	1
40.	35374	PULLEY, IDLER V4L 8.05X .62	1
41.	45332	BOLT, 3/8-16X1.60 CARR	1
42.	1436	NUT, 3/8-16 REG-HEXCTRUK	1
43.	45380	RES, 288 DIA CLUTCH	1
44.	50490	SPRING, 3/4 00X5.75X.091	1
45.	222210	BRACKET, BRAKE ROD	1
46.	46824	BOLT, 437X .188 HNSH 5/16-18	1
47.	1496	NUT, 5/16-18 REG-HEXCTRUK	1
48.	323111	BRAKE ROD RIDER SF	1
49.	63480	SPRING, 8250D3 2910	1
50.	50752	NUT, 1/4-20 WID FLTK	1
51.	"	TIRE & RIM, PU 30R 5.8X10.5WHI	2
52.	24167	VALVE STEAM	1
53.	36162	HUB, WHEEL	1
54.	"	REF. TIRE TREAD	1
55.	52926	KEY SQUARE, 8150X2 26LG	2
56.	641	WASHER, FLAT .765X1.51X.076	4
61.	42115	WASHER, FLAT .765X1.53X.07	2
62.	36425	RING, RETEX .57X.05TRUB123-75	2
63.	60384	HUB CAP, 1.5000 X 7.8LG	2

* CONTACT YOUR NEAREST TRANSAXLE DEALER FOR PARTS AND SERVICE.
 * ORDER INDIVIDUAL PARTS.



30" LAWN TRACTOR MODEL D3554-410

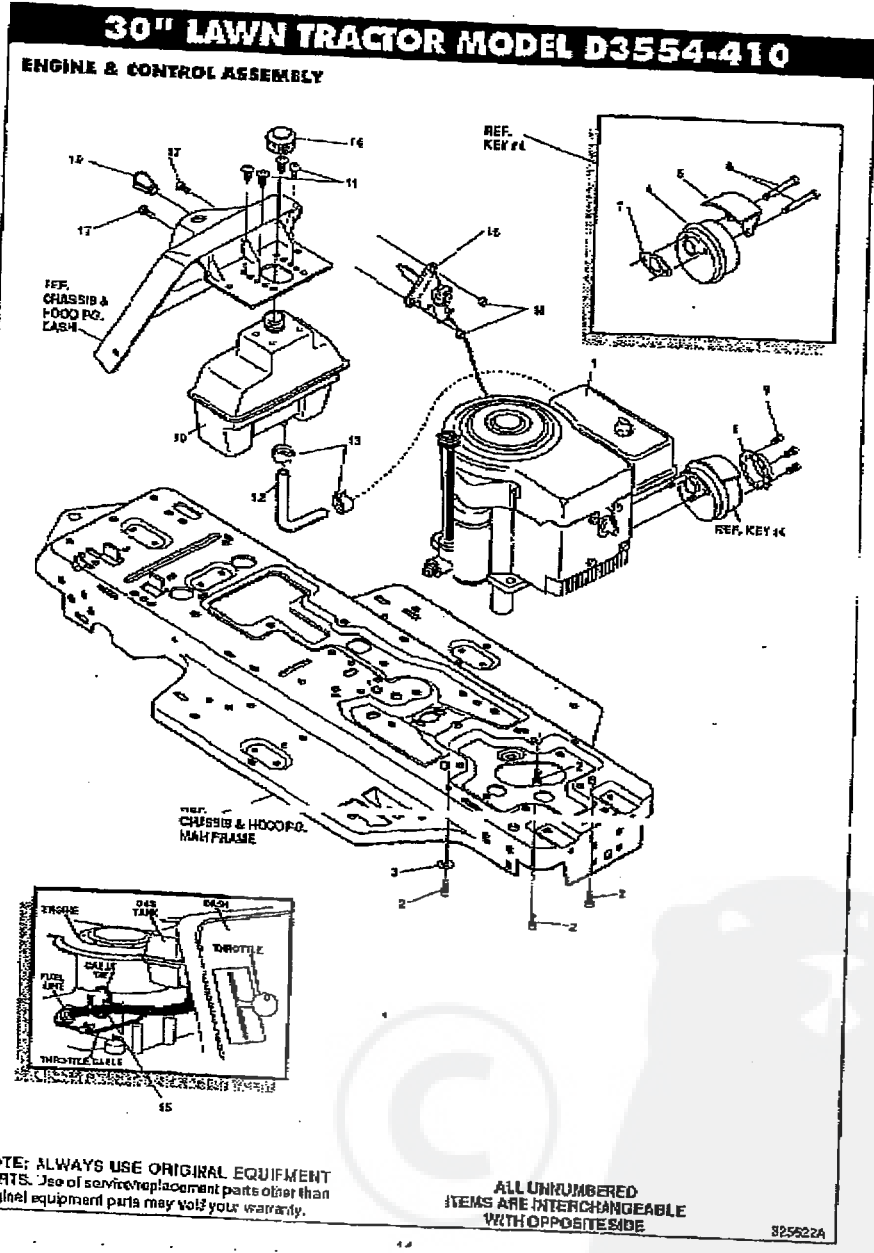
key#	part#	description	qty.
1.	*	TRANSAXLE, P940'S SPEED	1
2.	302745	FULLEY, IDLER V4L 6.60X	1
3.	8021	KEY, WDRF 908 .75X1.87X.312	1
4.	22052	RINGS, RETEX .58X.055TRU510062	1
5.	54754	BELT, V4L 82.00 SF DRIVE	1
6.	53764-53	BRACKET, TRANSAXLE	2
7.	120226	SCREW, 5/16-18X.83 HHG	6
8.	1438	NUT, 5/16-16 REGHEXCTRLK	6
9.	160089	SCREW, 5/16-18X2.26 HHG	4
10.	120243	WASHER, FLAT .34X.69X.065	4
11.	1456	NUT, 5/16-18 REGHEXCTRLK	1
12.	322213	STABILIZER BRKT	1
13.	180087	SCREW, 5/16-18X1.00 HHG	1
14.	1488	NUT, 5/16-18 REGHEXCTRLK	1
15.	122417	SCREW, 5/16-18X1.00 HHG	1
16.	138455	WASHER, EKLK.320X.61X.03	1
17.	1496	NUT, 5/16-18 REGHEXCTRLK	1
18.	12616	BRKT, SHFT P200 5-3SP	1
19.	56215	SCREW, 1/4-20X.25 NYLONIC	1
20.	57157	WASHER, .75X.250 SP-TRANSAXLE	1
21.	512034	LEVER, SHFT 6151A	1
22.	137185	PIN, COTTER .125 DIAX1.00LG	1
23.	55514	KNCS, ROUND 1.50 DIA	1
24.	48896	BELT GUIDE	1
25.	271184	NUT, 5/16-18 HEXKEPS	1
26.	120093	WASHER, FLAT .34X.69X.065	2
27.	1488	NUT, 5/16-18 REGHEXCTRLK	1
28.	302603	ASSY BRAKE PEDAL, R.F.	1
29.	310676	ROD P/NT	1
30.	307501	SPACER, SLEV .58 K .82X1.40	1
31.	58183	PIN, HAIR	1
32.	48781	PAD, CLUTCH&BRAKE PEDAL	1
33.	321029	IDLER ARM BRKT TRACTOR	1
34.	41850	BOLT, 5/16X 2.81 HRSH 5/16-16	1
35.	4197	WASHER, FLAT .335X1.81X.01	1
36.	45902	WASHER, FLAT .333X.87X.19	1
37.	1415	NUT, 5/16-18 REGHEXCTRLK	1
38.	321057	SPRING .24 60X6.75X.091	1
39.	30659	RETAINER, BELT	1
40.	35974	FULLEY, IDLER V4L 9.06X .52	1
41.	45062	BOLT, 3/8-16X1.50 CARB	1
42.	1496	NUT, 5/8-16 REGHEXCTRLK	1
43.	43980	RCD, .268 DIA CLUTCH	1
44.	50582	SPRING 3/60X1.825X.055 TENSIO	1
45.	321710	BRACKET, BRAKE ROD	1
46.	48524	BOLT, 3/16-18 HRSH 5/16-16	1
47.	1488	NUT, 5/16-18 REGHEXCTRLK	1
48.	322211	BRAKE ROD RIDER SF	1
49.	53820	SPRING .2250X2.891G	1
50.	54352	NUT, 1/4-20 W/FLK	1
51.	*	TIRE & RIM, PU 18X6.5X12R/PWH	2
52.	24157	VALVE STEM	1
53.	34182	TRK, WHEEL	1
54.	*	RBF, TIRE TREAD	2
55.	52926	KEY, SQUARE 1.875X1.25X.6	4
56.	612	WASHER, FLAT .755X1.31X.075	2
57.	42815	WASHER, FLAT .755X1.53X.07	2
58.	36625	RING, RETEX .57X.05TRU6193-75	2
59.	40384	HJB CAP, 1.50WD X 7/8LG	2

* ORDER INDIVIDUAL PARTS.
 * STANDARD HARDWARE ITEMS

ANNE CAMPBELL

+441279726865

12/05/2004 08:42



MAY 11 04 10:07a

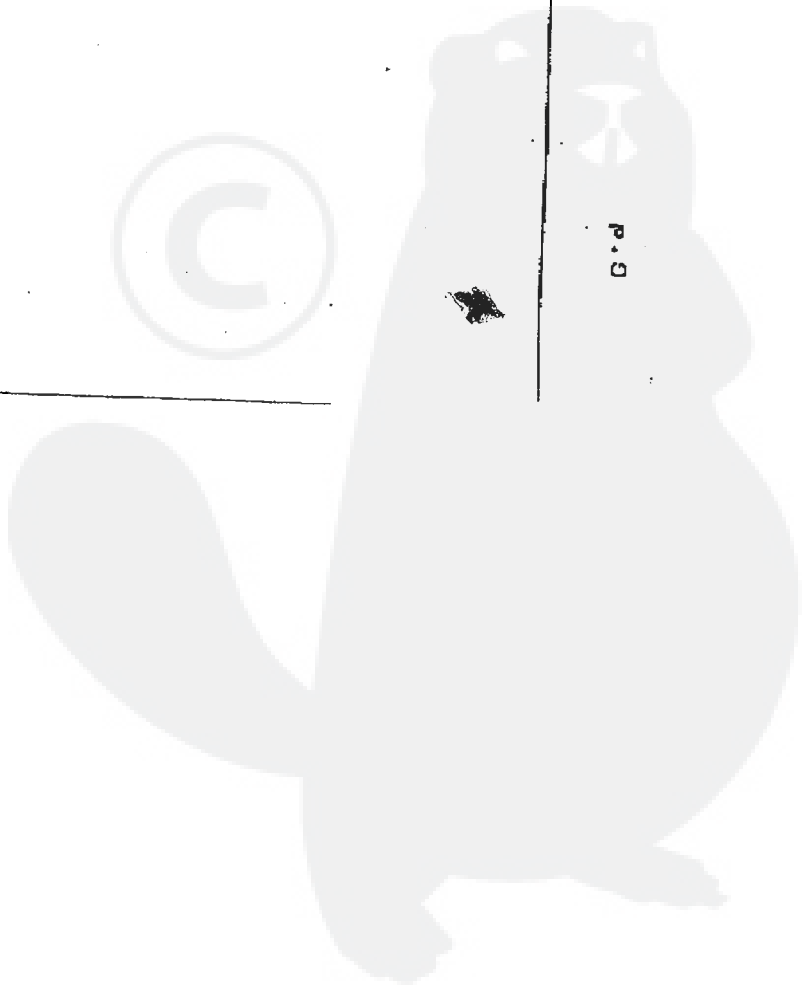
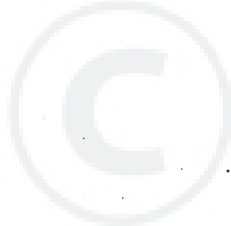
Murray Inc.

6153736792

P.9

30" LAWN TRACTOR MODEL D3554-410

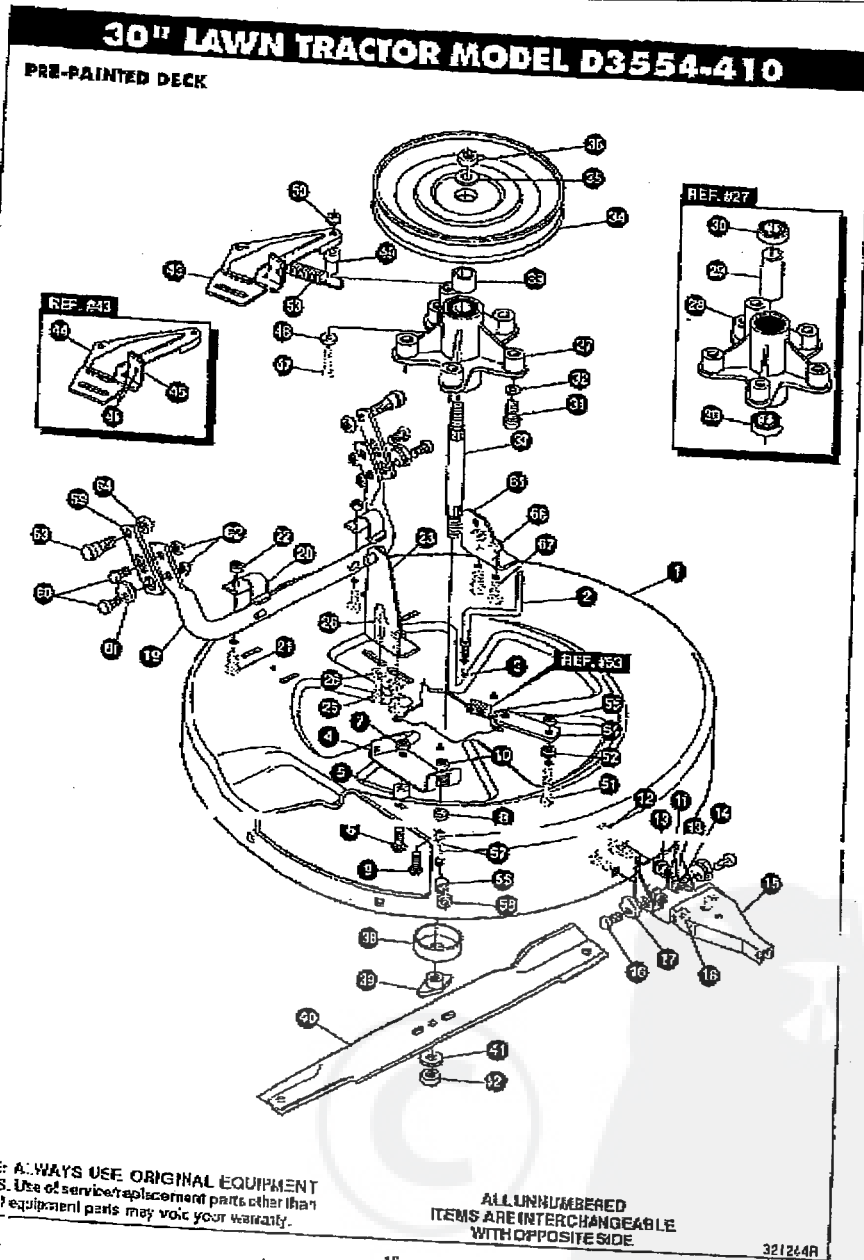
key	part	description	qt.
1	ENGINE	10 HP D&S (SEE ENGINE MANUAL)	1
2	60947	SCREW, 3/8-16X1.25 VHMPTAP	1
3	138419	WASHER, EXLK 264X16X.04	4
4	57304	MUFFLER-LO TONE NELSON EXPORT	1
5	54767	SHIELD, HEAT FOR ROUND MUFFLES	1
6	173063	SCREW, 5/16-18X3.50 HB	2
7	46706	BASKET, MUFFLER	1
8	523413	DEFLECTOR, MUFFLER PARTIAL	1
9	35287	SCREW, 3/32X.38 HHWATAP GRDE	1
11	914926	TANK FUE. 1 GAL.	3
1	49059	SCREW, 1/4-18X.75PHPTAP	4
12	42462	GAS LINE, 1/2ID 1/2" DIA HOSE	12
14	48572	CLAMP, FUEL LINE	2
14	46704	GAS CAP 1-1/2-THD	1
16	57444	TIE CABLE	1
16	82001	THROTTLE CONTROL	1
17	35281	SCREW, 1/8-24X 3/8 SERRIMA	1
18	27111E	NUT, #10-24 HEXHEPS	2
18	50607	KNOB, ROUND THROTTLE	1



ANNE CAMPBELL

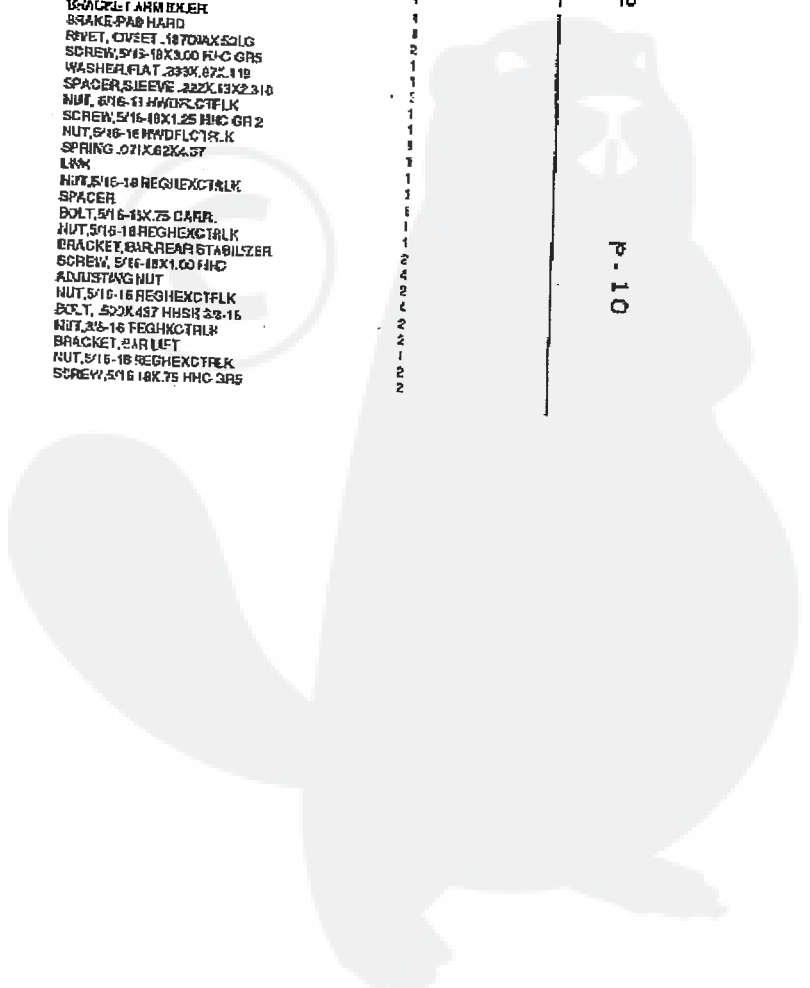
+441279725865

12/05/2004 08:42



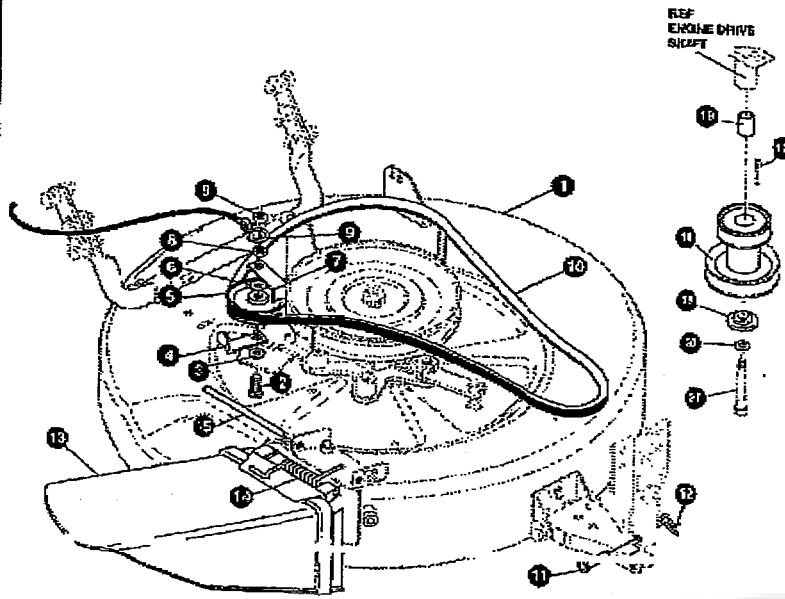
30" LAWN TRACTOR MODEL D3554-410

key#	part#	description	qty.
1	32 882	DECK, MOWER 30 INCH S.F.	1
2	57318	GUIDE BELT 5/16-18 THD.	1
3	1498	NUT, 5/16-18 REGHEXCTRLK	1
4	302354	BRACKET CHUTE MOUNT	1
5	314702	SPACER SLEEVE .344X1.035 00	1
6	126230	BOLT, 5/16-18X1.25 CARB GR2	1
7	1458	NUT, 5/16-18 REGHEXCTRLK	1
8	45602	WASHER FLAT .333X.87X.119	1
9	126216	BOLT, 5/16-18X.75 CARB GR2	1
10	1458	NUT, 5/16-18 REGHEXCTRLK	1
11	314237	MS BRACKET MOUNTING FRONT	1
12	57672	BOLT, 5/16-18 REGHEXCTRLK	1
13	126230	WASHER FLAT .344X.89X.065	1
14	1458	NUT, 5/16-18 REGHEXCTRLK	1
15	311236	BRACKET BAR, TOW, FRONT	1
16	122017	SCREW, 5/16-18X1.00 HHC GR2	2
17	56247	ADJUSTING NUT	2
18	1458	NUT, 5/16-18 REGHEXCTRLK	2
19	343372	WASHER TUBE, PIVOT	2
20	51935	SUPPORT PIVOT TUBE	1
21	153177	SCREW, 5/16-18X.75 HHC	1
22	1458	NUT, 5/16-18 REGHEXCTRLK	2
23	314119	ASSY LIFT BRKT.	2
24	156977	SCREW, 5/16-18X.75 HHC	2
25	126230	WASHER FLAT .344X.89X.065	2
26	1458	NUT, 5/16-18 REGHEXCTRLK	2
27	313588	ASSEMBLY OIL	2
28	314272	CHILL	1
29	314274	TUBE SPACER	1
30	318476	BRNG BALL	1
31	50654	SCREW, 5/16-18X.88 WASHYAP	2
32	139485	WASHER, EXLK .320X.81X.09	5
33	321145	SPACER SLEEVE .790X1.250X.500	5
34	314273	PULLEY ASSEMBLY	1
35	22265	WASHER FLAT .518X1.38X.119	1
36	1504	NUT, 1/2-13 REGHCTRLK	1
37	327444	SHAFT, OUL 30" MOWER S.F.	1
38	313577	SHIELD, DUST BEARING	1
39	313584	HUB, BLADE ADAPTOR	1
40	314275	BLADE 30" TO MOWER	1
41	22265	WASHER FLAT .518X1.38X.119	1
42	1504	NUT, 1/2-13 REGHCTRLK	1
43	32223	BRACKET OIL CR ASSEMBLY	1
44	313510	BRACKET ARM EXTER	1
45	306515	BRAKE PAD HARD	1
46	57601	RIVET, CUPSET .1870MAX 50LG	2
47	18013	SCREW, 5/16-18X3.00 HHC GR5	1
48	45802	WASHER FLAT .333X.87X.119	1
49	321145	SPACER SLEEVE .222X.83X2.310	1
50	49108	NUT, 5/16-11 HWDFCTFLK	1
51	122027	SCREW, 5/16-18X1.25 HHC GR2	1
52	44106	NUT, 5/16-18 HWDFCTFLK	1
53	35411	SPRING .071X.62X.67	1
54	302317	LKX	1
55	1458	NUT, 5/16-18 REGHEXCTRLK	1
56	30524	SPACER	1
57	126216	BOLT, 5/16-18X.75 CARB.	1
58	1458	NUT, 5/16-18 REGHEXCTRLK	1
59	214259	BRACKET BAR, REAR STABILZER	1
60	122017	SCREW, 5/16-18X1.00 HHC	2
61	56247	ADJUSTING NUT	4
62	1458	NUT, 5/16-18 REGHEXCTFLK	2
63	51943	BOLT, .500X.437 HHSX 3/8-16	2
64	1458	NUT, 3/8-16 REGHCTRLK	2
65	320826	BRACKET BAR LIFT	2
66	1458	NUT, 5/16-18 REGHEXCTFLK	1
67	180671	SCREW, 5/16-18X.75 HHC GR5	2



30" LAWN TRACTOR MODEL D3554-410

FINAL DECK ASSEMBLY



NOTE: ALWAYS USE ORIGINAL EQUIPMENT PARTS. Use of service/replacement parts other than original equipment parts may void your warranty.

A.L. UNNUMBERED ITEMS ARE INTERCHANGEABLE WITH OPPOSITE SIDE

3256426

MAY 11 04 10:08a

Murray Inc.

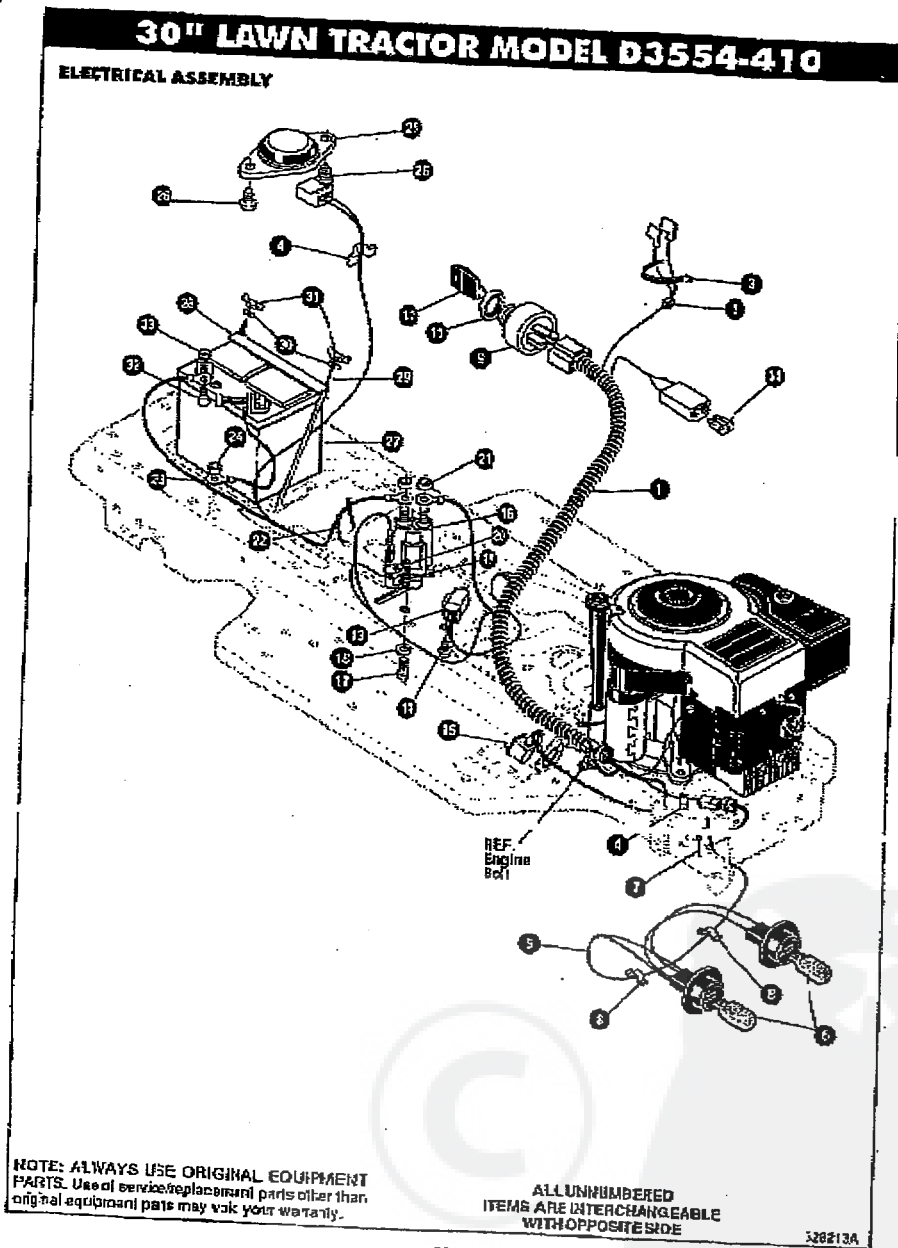
6153736792

P. 11

30" LAWN TRACTOR MODEL D3554-410

Qty	Part	Description	QTY
1	*	DECK, 30SD ASSY FTD BLK 853	1
2	931940	EOLT, 3/8-16X2.50 CARB	2
3	22265	WASHER, FLAT, 515 X 1.0E X 1.10 FL	1
4	29359	RETAINER,BELT	1
5	45074	FULLEY, IDLER V4L 3.06X.72	1
6	25210	WASHER, FLAT, .392X1.26X .05	1
7	29659	RETAINER,BELT	1
8	1499	MU, 3/8-16 REGHCTRLK	2
9	310734	HOOK, S, 10 GA, STEEL	1
10	321147	BELT, V 4L 540 - MSD SEC	1
11	47816	PIN, 485K1.213 CLEYS-SHORT	1
12	55100	PIN, MAJR, .091 DIA X 1.62CC	1
13	815914	CHUTE,DEFLECTOR	1
14	314875	SPRING TORSION CHUTEDEF.	1
15	304424	ROD,PIVOT DECK, 312DWT.25	1
16	300557	TULLEY ENG, 840 FRS,50X2.000	1
17	20655	KEY SQUARE	1
18	304246	SPACER SLEEVE	1
19	55431	WASHER, 8810K1.380X.437 PLOT	1
20	120383	WASHER, REGSPTLK	1
21	152764	SCREW, 7/16-20X.85 HMG	1

*ORDER DECK KIT# 328711 FOR COMPLETE DECK.

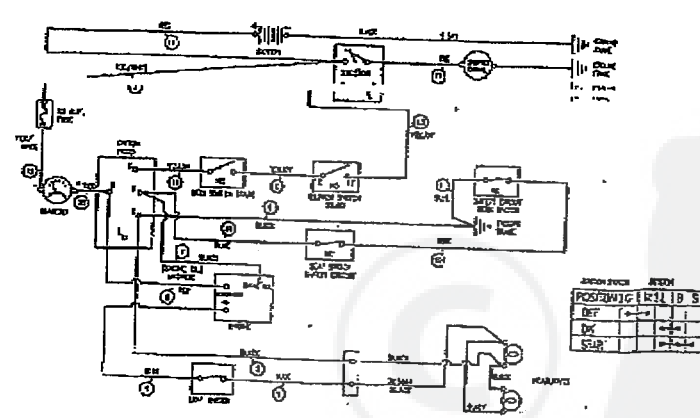


30" LAWN TRACTOR MODEL D3554-410

key#	part#	Description	QTY.
1.	32207	WIRE HARNESS SF 8-12888	1
2.	32228	SPLICER	1
3.	47444	TIE, CABLE BLACK NYLON 6 62L	1
4.	41482	PRESS CLIP, 1.560LQ .255 D	1
5.	903051	ASSY. LIGHT WIRE-1/4 TURN	2
6.	315323	BULB, HEADLAM.	1
7.	57444	TIE, CABLE BLACK NYLON 6 62L	2
8.	41482	PRESS CLIP, 1.560LQ .255 D	1
9.	327354	SWITCH, IGNITION & LIGHTS	1
10.	827352	NUT, 5/8-8 ACME DELTA, W/O BOOT	1
11.	327348	KEY IGN SWITCH STEEL	1
12.	57478	SWITCH, SCRAPNT DP AG NO BLK	1
13.	57220	SCREW, #12 X .60 PH/PW/TAP BLK	1
14.	328650	SWITCH, SW/MVMT NO. 055.116 BLK	2
15.	52715	SOLENOID	1
16.	187745	SCREW, 1/4-20X .75 HEX/SEALWA	1
17.	1084	WASHER, FLAT .281X1.00X.063 PL	1
18.	1502	NUT, 1/4-20 REG/HEX/TKL	1
19.	271172	NUT, 1/4-20 REG/HEX/TKL	2
20.	271167	NUT, 5/16-24 REG/HEX/TKL	1
21.	57444	TIE, CABLE BLACK NYLON 6 62L	2
22.	45511	WIRE, GROUND, 12.6"	1
23.	271184	NUT, 5/16-18 REG/HEX/TKL	1
24.	57547	SWITCH, SEAT	1
25.	160505	SCREW, 1/4-20X .36 PH/PW/MACHFR	1
26.	67485	BATTERY 12V 5 PLATE	2
27.	324719	MF BATTERY BRACKET	1
28.	40234	BATTERY ROD	1
29.	182392	WASHER, FLAT .281X.68X.065	2
30.	825232	WING NUT, 1/4-20 NYLON	2
31.	102654	SCREW, 1/4-20X .63 HEX/GR	2
32.	271172	NUT, 1/4-20 REG/HEX/TKL	2
33.	902031	FUSE, 15 AMP SPADE TYPE	1

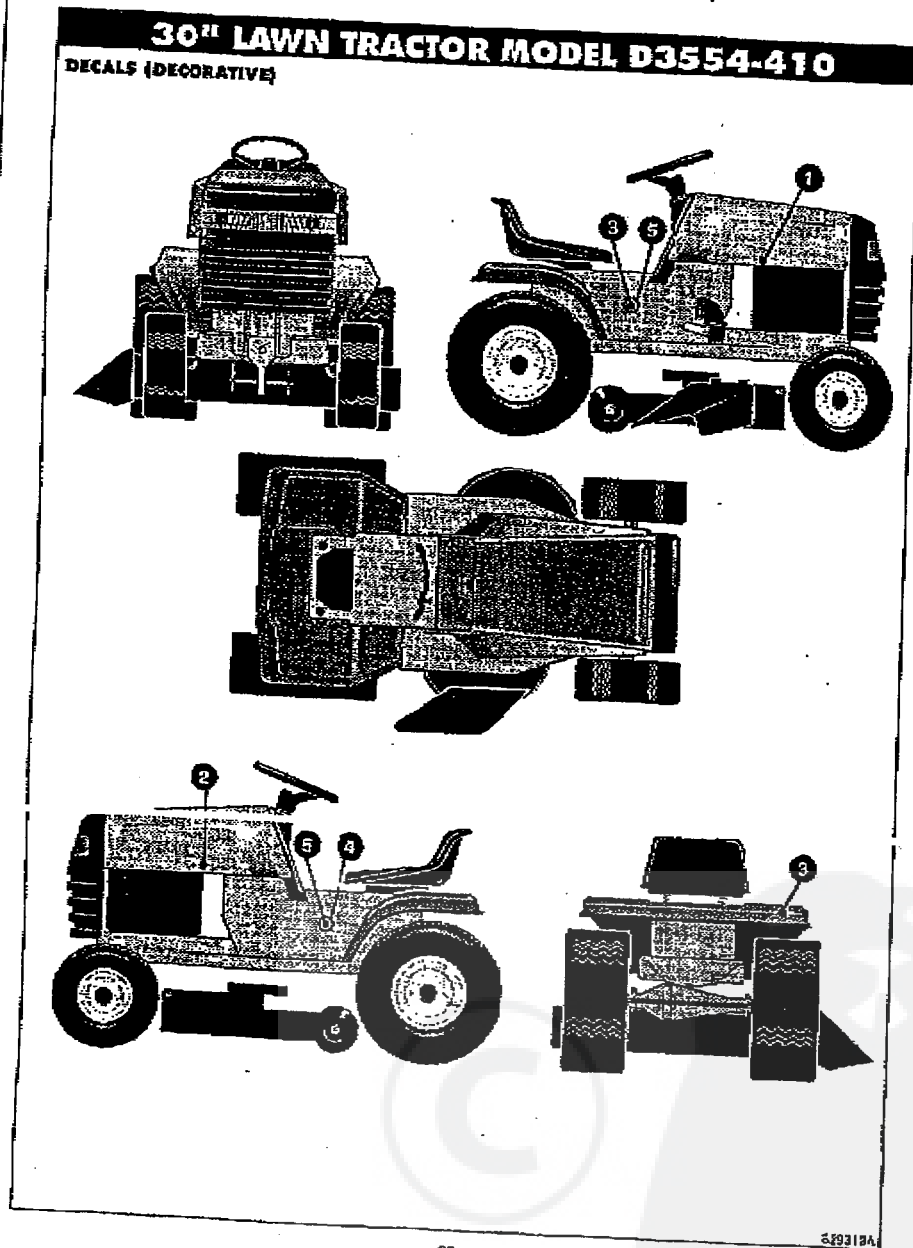
*6 pads type fuse included with the wire harness

SCHEMATIC DRAWING



ANNE CAMPBELL

12/05/2004 08:42 +441279726865



MAY 11 04 10:09a

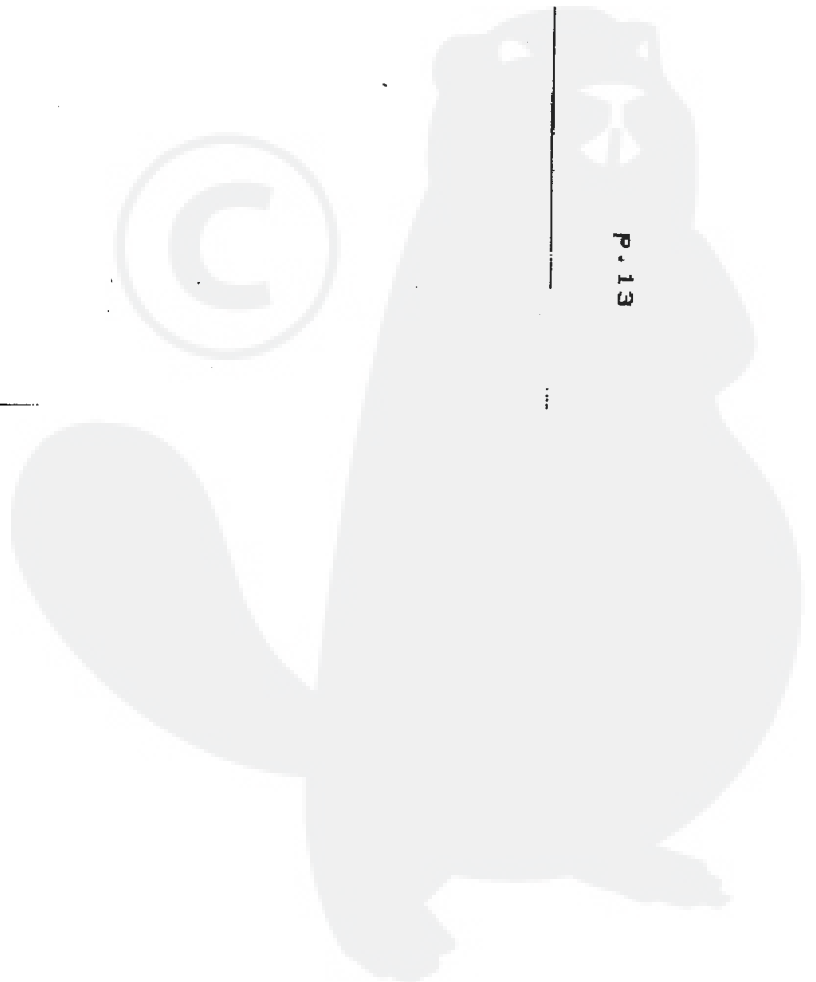
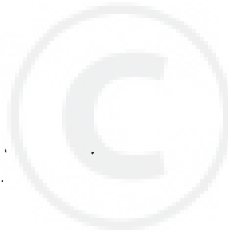
MURRAY Inc.

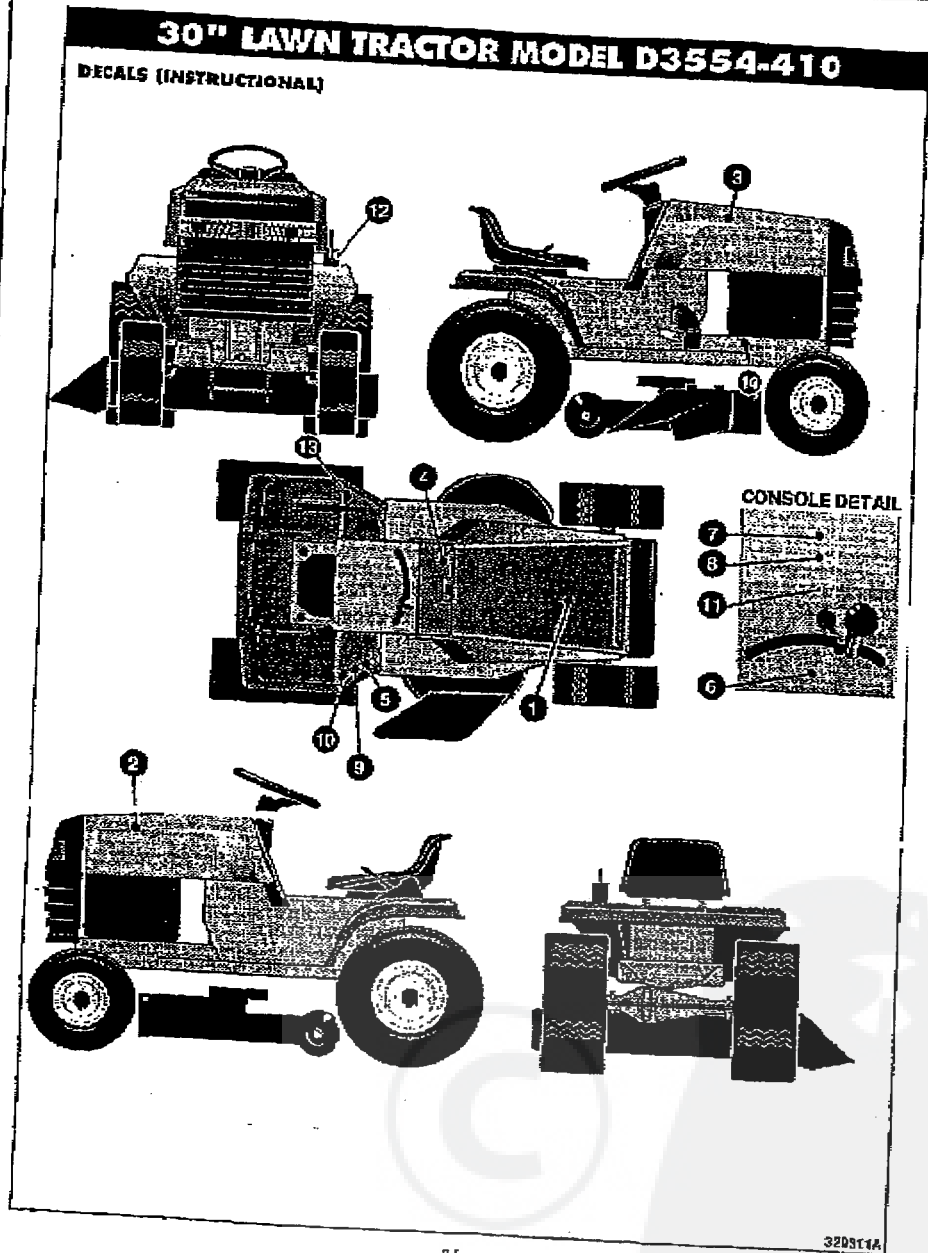
6159736792

P.13

30" LAWN TRACTOR MODEL D3554-410

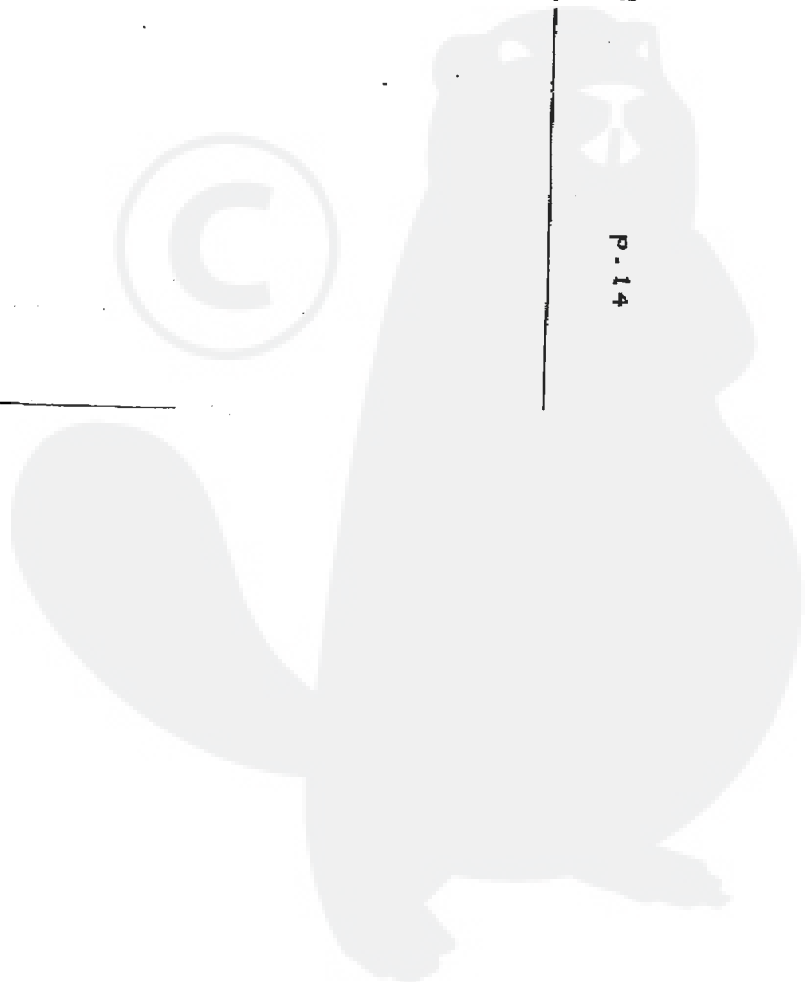
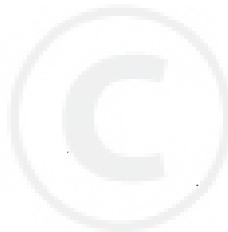
key	part	description	qty.
1.	314456	DEGA. HOODSIDE RH H-21	1
2.	314457	DEGA. HOODSIDE LH H-21	1
3.	322972	DEGA. PRO CONSOLE (LONGER) RH	1
4.	322973	DEGA. PRO CONSOLE (LONGER) LH	1
5.	301536	NAMEPLATE, 10"SC	2
6.	402110	DEGA. CONVERTIBLE MULLOHER	1
7.		REFERENCE ONLY	1





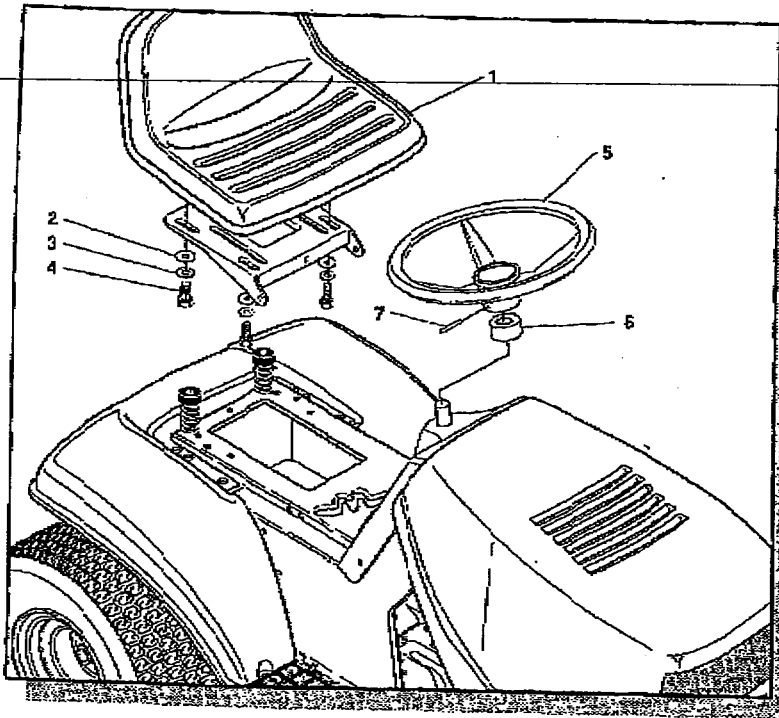
30" LAWN TRACTOR MODEL D3554-410

key#	part#	description	qty.
1.	55822	PAD, FOAM TOP HOOD H-4	1
2.	55823	PAD, FOAM HOOD H-4 SIDE LH	1
3.	55824	PAD, FOAM HOOD H-4 SIDE RH	1
4.	322685	DECAL DASH, DYNAMARK	1
5.	325770	DECAL CAUTION TRIANGLE EUROPE	1
6.	323622	DECAL 3-SPEED CONSOLE TOP	1
7.	69524	DECAL INSTRUCT CONSOLE TOP DER	1
8.	65525	DECAL INSTRUCT CONSOLE TOP FR	1
9.	310553	DECAL DANGER ENGLISH	1
10.	68932	DECAL WARNING, FRENCH/GERMAN	1
11.	307383	DECAL INSTRUCT ENGLISH/EC	1
12.	301397	DECAL LIFT DECK/BLADE HEIGHT	1
13.	68931	DECAL BLADE HEIGHT ADJ. EUROPE	1
14.	68933	DECAL BRAKE/LATCH EUROPE	1
15.		REFERENCE ONLY	1



30" LAWN TRACTOR MODEL D3554-410

CUSTOMER ASSEMBLY



CUSTOMER ASSEMBLY VIEW

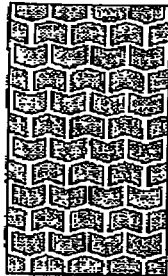
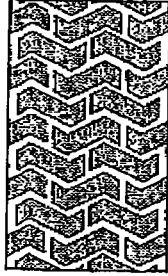
315134 PARTS BAG ASSY QTY1

KEY#	PART#	DESCRIPTION	QTY
1	57452	SEAT MV950	1
2	120393	WASHER F.A.T. 344K.60X.065	4
3	120538	WASHER MVSP1LK .528X.60X.109	4
4	522017	SCREW, 5/8-18X.75 HFC	4
5	456378	STEERING WHEEL	1
6	829738	STEERING SLEEVE	1
7	456378	ROLL PIN 3/6001X2.DLG	1

316235C

30" LAWN TRACTOR MODEL D3554-410

TREAD PATTERNS



"A"

"B"

"C"

"D"

TIRE SIZE

TIRE SIZE	"A"	"B"	"C"	"D"
11 X 4.00 - 5	42295	319679		
13 X 5.00 - 6	41060	313680		
15 X 6.00 - 6	38830	316702	301140	313952
16 X 6.50 - 6	41081	319682		314539
18 X 8.50 - 8	319663	317400		
18 X 9.50 - 8	41106	316701		313950
20 X 8.00 - 8	319685	313684	57164	314584
20 X 10.00 - 8	58276	319686		313654
20 X 10.00 - 10	55893	319887		
23 X 9.50 - 12	53656	319690	319688	314370

MAY 11 04 10:10a

MURRAY INC.

6153796792

3197118

27

P. 15