

1/88

REPAIR PARTS MANUAL 43" - 16 H.P. LAWN TRACTOR MODEL D3560-110

ONE YEAR LIMITED WARRANTY

For one (1) year from date of purchase by the first consumer for residential use (thirty (30) days commercial use), NOMA Outdoor Products Incorporated warrants that it will replace free of charge, including labor, any original part of any NOMA Outdoor Products Incorporated product found to be defective by any authorized Service Dealer or the factory, except the battery which is warranted for ninety (90) days from date of purchase.

This warranty does not cover engine, transmission, transaxle or differential (these items are covered by their manufacturer's own warranty). This warranty does not cover parts that have failed due to normal wear or parts that have failed subject to misuse or abuse. Transportation of the unit or part to and from an authorized Service Dealer or factory is the responsibility of the owner.

A step by step explanation as to what procedure should be followed for this warranty is:

1. If a part becomes defective, contact the store where the unit was purchased for the name and address of the authorized Service Dealer nearest to you.
2. If you cannot locate an authorized Service Dealer, write Service Department of NOMA Outdoor Products Incorporated for the name and address of the authorized Service Dealer in your area or call the Service Department at 1-901-422-1690.
3. Return the defective product, along with proof of purchase to such authorized Service Dealer for replacement of any defective part where covered by this warranty.

There is no other express warranty. Implied warranties, including those of merchantability and fitness for a particular purpose are limited to one (1) year from date of purchase. Liability for incidental or consequential damages are excluded.

Some states do not allow limitations on how long an implied warranty lasts, so the above limitation may not apply to you. Some states do not allow the exclusion of incidental or consequential damages, so the above exclusion may not apply to you. This warranty gives you specific legal rights, and you may have other rights which vary from state to state.

NOMA Outdoor Products Incorporated

Caller 8000

Jackson, TN 38308-8000

UNIT PARTS AND SERVICE

Fill in and mail the registration card packed with the unit. For service other than covered in this manual, contact an authorized service dealer. A nationwide parts and service organization has been established to provide locally available parts and service. When ordering repair parts, always give the following information: 1. The Part Name; 2. The Part Number; 3. The Quantity desired; 4. The Full (eight digit) Model Number of the unit. The model number will be found on a plate attached to the unit.



Look for this symbol. It means - ATTENTION! BECOME ALERT! A HAZARD TO OPERATOR, BYSTANDER, PROPERTY OR EQUIPMENT MAY EXIST.

NOMA Outdoor Products Incorporated

Caller 8000

Jackson, TN 38308-8000

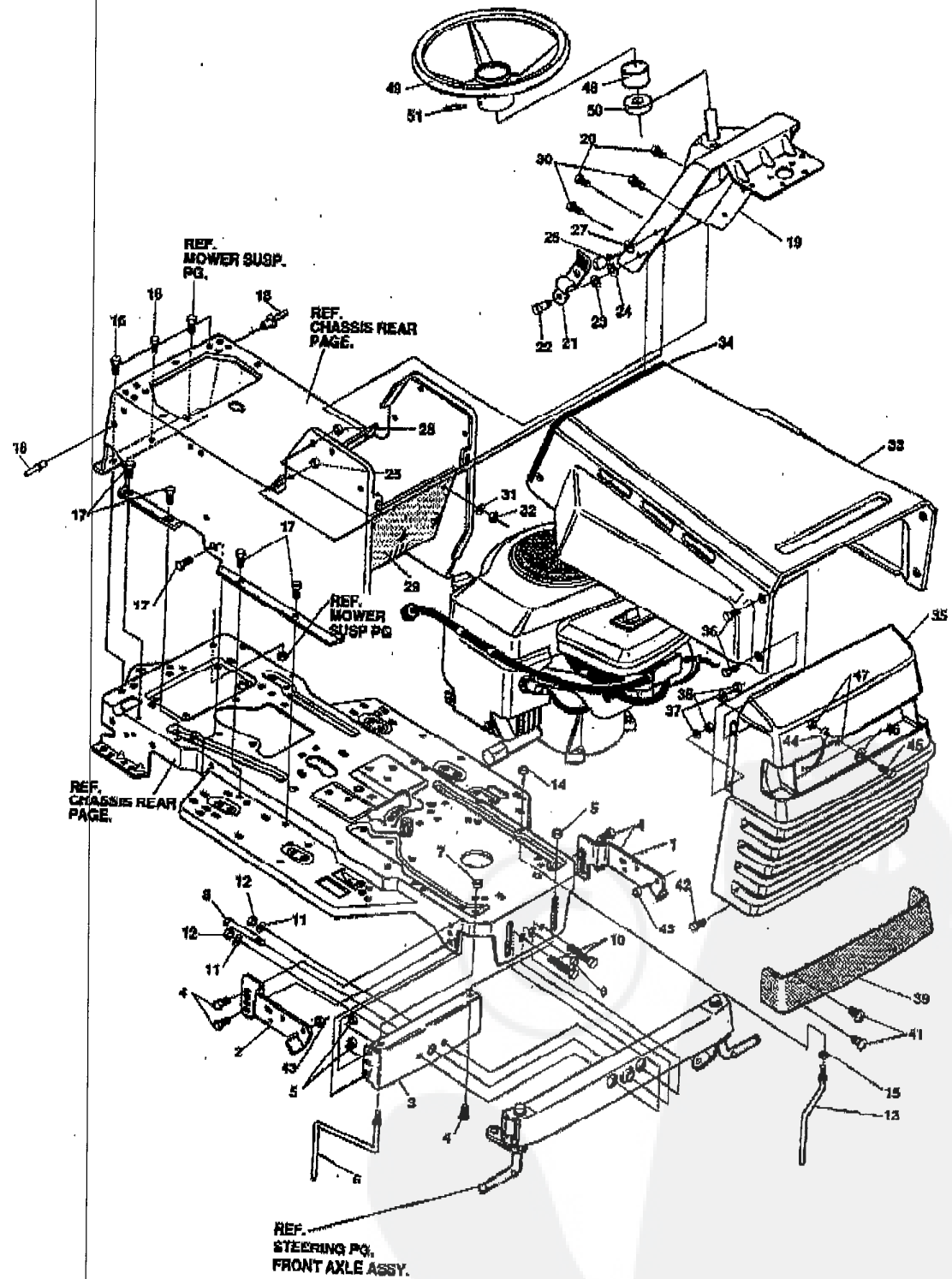
Part No. 323606A

3/83

2/27

43" LAWN TRACTOR MODEL D3560-110

CHASSIS & HOOD (FRONT)



NOTE: ALWAYS USE ORIGINAL EQUIPMENT PARTS. Use of service/replacement parts other than original equipment parts may void your warranty.

ALL UNNUMBERED ITEMS ARE INTERCHANGEABLE WITH OPPOSITE SIDE

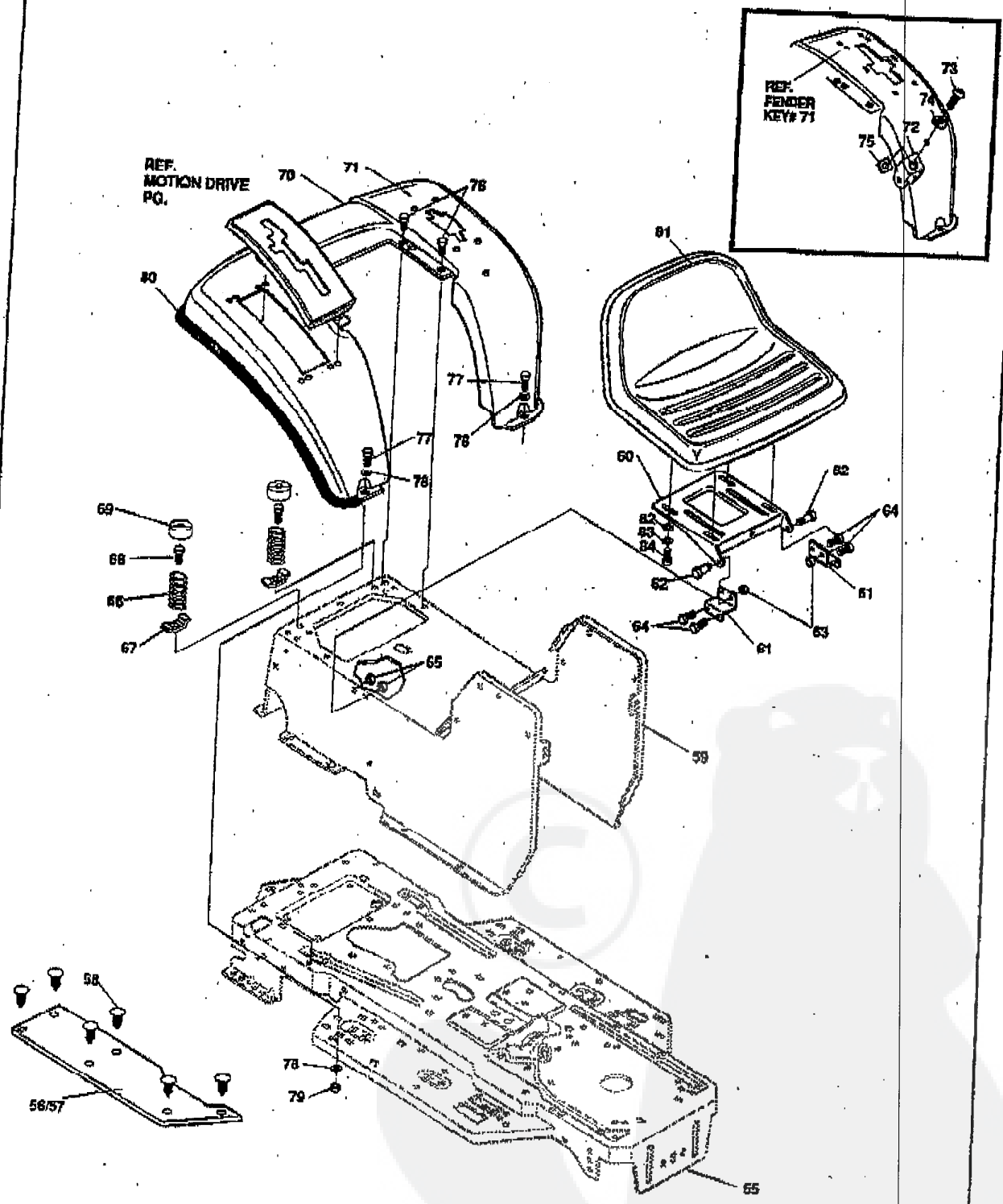
925875C

43" LAWN TRACTOR MODEL D3560-110

KEY#	PART#	DESCRIPTION	QTY.
1	313001-853	BRKT, GRILL LH	1
2	313002-853	BRKT, GRILL RH	1
3	313541-853	BRACKET, FRONT AXLE	1
4	56030	SCREW, 5/16-18X.75WDFLLK GR5	5
5	55278	NUT, 5/16-18 HXWDFLLK	5
6	300440	GUIDE, BELT, RIDER	1
7	1498	NUT, 5/16-18 REGHEXCTRLK	1
8	308207	BOLT, .625X2.18 HSH 1/2-18	1
9	309008	NUT, 1/2-13 HEXJAM CTRLK	1
10	122207	SCREW, 3/8-16X3.00 MHC GR2	2
11	2483	WASHER, .391DX1.25DX.07 BELLVIL	2
12	1498	NUT, 3/8-16 REGHEXCTRLK	2
13	300635	GUIDE, BELT SHORT 15" WHEEL	1
14	124824	NUT, 5/16-18 HEXJAM	1
15	271190	NUT, 3/8-16 HEXKEPS	1
16	35497	SCREW, 5/16-18X .50 WAHTAP	2
17	995346	SCREW, 1/4-20X .50 WAHTAP	12
18	48763	RIVET, POP	1
19	309447 860	DASHBOARD, LF SUSP DYNA	1
20	995346	SCREW, 1/4-20X .50 WAHTAP	2
21	57159	LATCH, .94WDX.047 ASSY HOOD	2
22	8482	BOLT, .375X .156 HSH 5/16 18	2
23	120394	WASHER, FLAT .406X .81X.065	2
24	120393	WASHER, FLAT .344X .69X.065	2
25	1498	NUT, 5/16-18 REGHEXCTRLK	2
26	53446	PIN, 3/16-18 HOOD LATCH GR2	2
27	138539	WASHER, REGINTLK.320X.61X.03	2
28	45174	NUT, 5/16-18 HEXWDFLLK WHIZ	2
29	312306	BAFFLE, CONSOLE SOUND, EXPORT	1
30	300314	SCREW, 14-20 X .98 WAHTAP	2
31	120392	WASHER, FLAT .281 X .63 X .065	2
32	1502	NUT, 1/4-20 REGHEXCTRLK	2
33	314537-860	HOOD, LF H-20 DYNA/PRO	1
34	56304	EDGING, WIDE BLK	27.5"
35	325401	GRILLE, DYNA-PRO G-17	1
36	274672	SCREW, 1/4-20X .83 WAHHC GR2	4
37	120392	WASHER, FLAT .281X .63X.065	4
38	1502	NUT, 1/4-20 REGHEXCTRLK	4
39	302333	LENS, SMOKED W/TAB NO LOGO	1
41	57796	SCREW, #6 X .50 PLASTITE/HI-LO	4
42	36149	BOLT, .375X .500 HSH 5/16-18	2
43	1498	NUT, 5/16-18 REGHEXCTRLK	2
44	310748	LANYARD, HOOD 15.77LG H15	1
45	48900	SCREW, 1/4-20X1.00 WAHHC GR2	1
46	120392	WASHER, FLAT .281X .63X.065	1
47	1502	NUT, 1/4-20 REGHEXCTRLK	2
48	311485	COVER STEERING SHAFT	1
49	301251	STEERING WHEEL	1
50	301413	SPACER FOAM	1
51	456378	ROLL PIN	1
52	329606	PARTS MANUAL	1
53	329274	OPERATOR'S MANUAL (ENGLISH)	1
54	328657	OPERATOR'S MANUAL (FRENCH)	1
55	329250	OPERATOR'S MANUAL (GERMAN)	1

43" LAWN TRACTOR MODEL D3560-110

CHASSIS & HOOD (REAR)



NOTE: ALWAYS USE ORIGINAL EQUIPMENT PARTS. Use of service/replacement parts other than original equipment parts may void your warranty.

ALL UNNUMBERED ITEMS ARE INTERCHANGEABLE WITH OPPOSITE SIDE

325855A

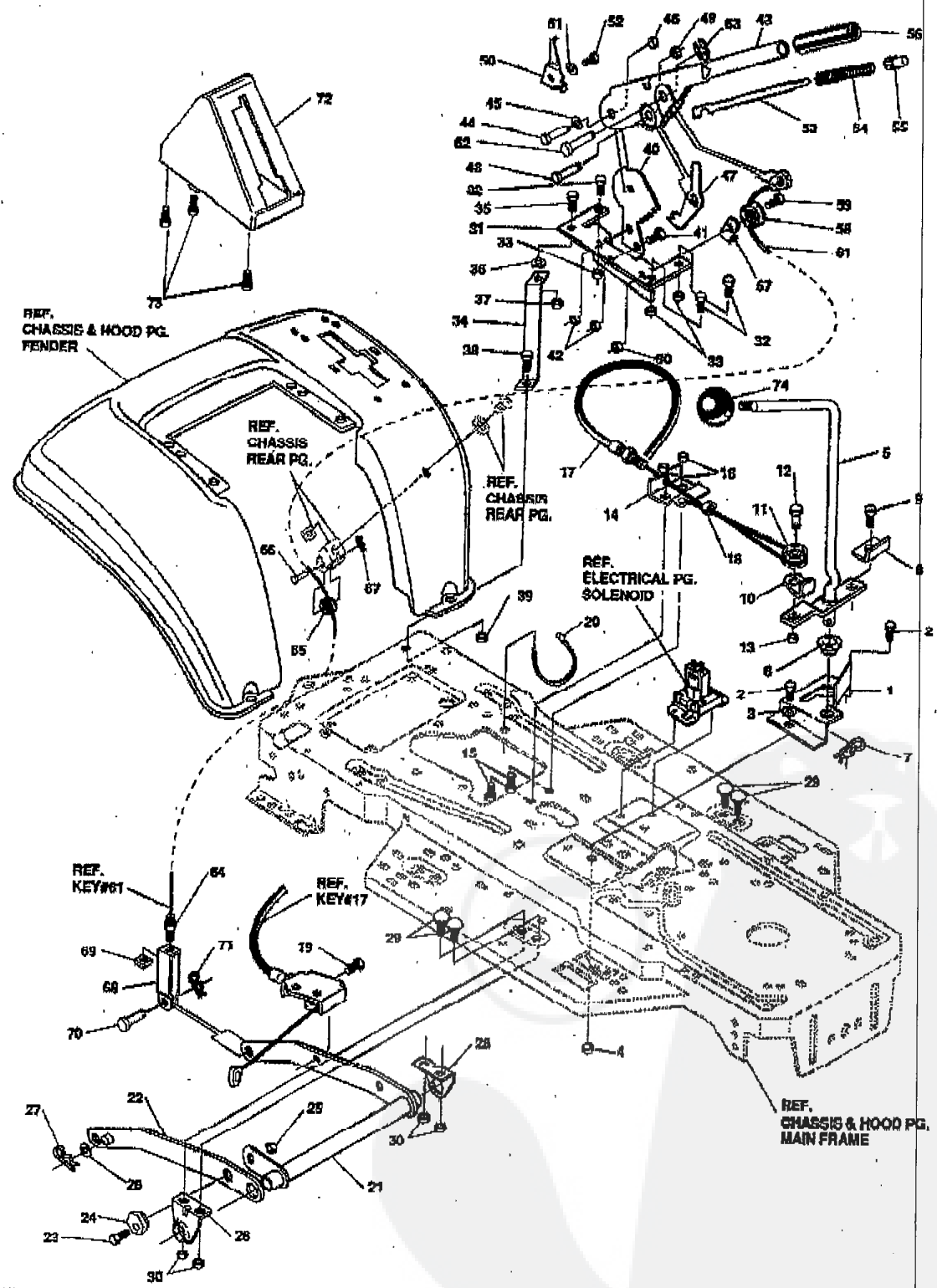
43" LAWN TRACTOR MODEL D3560-110

KEY#	PART#	DESCRIPTION	QTY.
55	326577-860	FRAME,LF MAIN 930/4960 DRILLED	1
56	310005	FOOTPAD L/H	1
57	310006	FOOTPAD R/H	1
58	309295	FASTENER RATCHET	12
59	308665-860	CONSOLE GENERIC SOF	1
60	58367-853	PLATE, SEAT	1
61	310660-853	BRACKET, F-S SEAT SUPPORT	2
62	20507	BOLT, .437X .156 HSSH 5/16-18	2
63	1488	NUT, 5/16-18 REGHEXCTRLK	2
64	48901	SCREW, 5/16-18X .63 HMC	4
65	1498	NUT, 5/16-18 REGHEXCTRLK	4
66	57153	SPRING,SEAT 2.63LG,1.49OD	2
67	1341	CLAMP,SPRING 1.17"ID	2
68	44811	SCREW, 1/4-20X .75 HXWATAP	2
69	56907	COVER,SEAT SPRING 1.SIDX1.0LG	2
70	^	FENDER ASM F6 SUSP	1
71	308669-860	FENDER F6 SUSP	1
72	9289	CLEVIS	1
73	439456	SCREW, 5/16-18X.56 PHPNMA	1
74	301551	WASHER, .344IDX1.50X.09	1
75	120379	NUT, 5/16-18 SC	1
76	995946	SCREW, 1/4-20X .50 WAHHTAP	4
77	122017	SCREW, 5/16-18X1.00 HMC	2
78	446363	WASHER, FLAT .375X .69X.062	4
79	1498	NUT, 5/16-18 REGHEXCTRLK	2
80	55023	TRIM,STRIP,BLACK	77.5"
81	67466	SEAT	1
82	120393	WASHER,FLAT .344X.69X.066	4
83	120638	WASHER,HVSPTLK .329X.60X.04	4
84	122007	SCREW 5/16-18X.75 I1110	4

^ ORDER INDIVIDUAL PARTS.

43" LAWN TRACTOR MODEL D3560-110

MOWER SUSPENSION ASSEMBLY



NOTE: ALWAYS USE ORIGINAL EQUIPMENT PARTS. Use of service/replacement parts other than original equipment parts may void your warranty.

ALL UNNUMBERED ITEMS ARE INTERCHANGEABLE WITH OPPOSITE SIDE

3258150

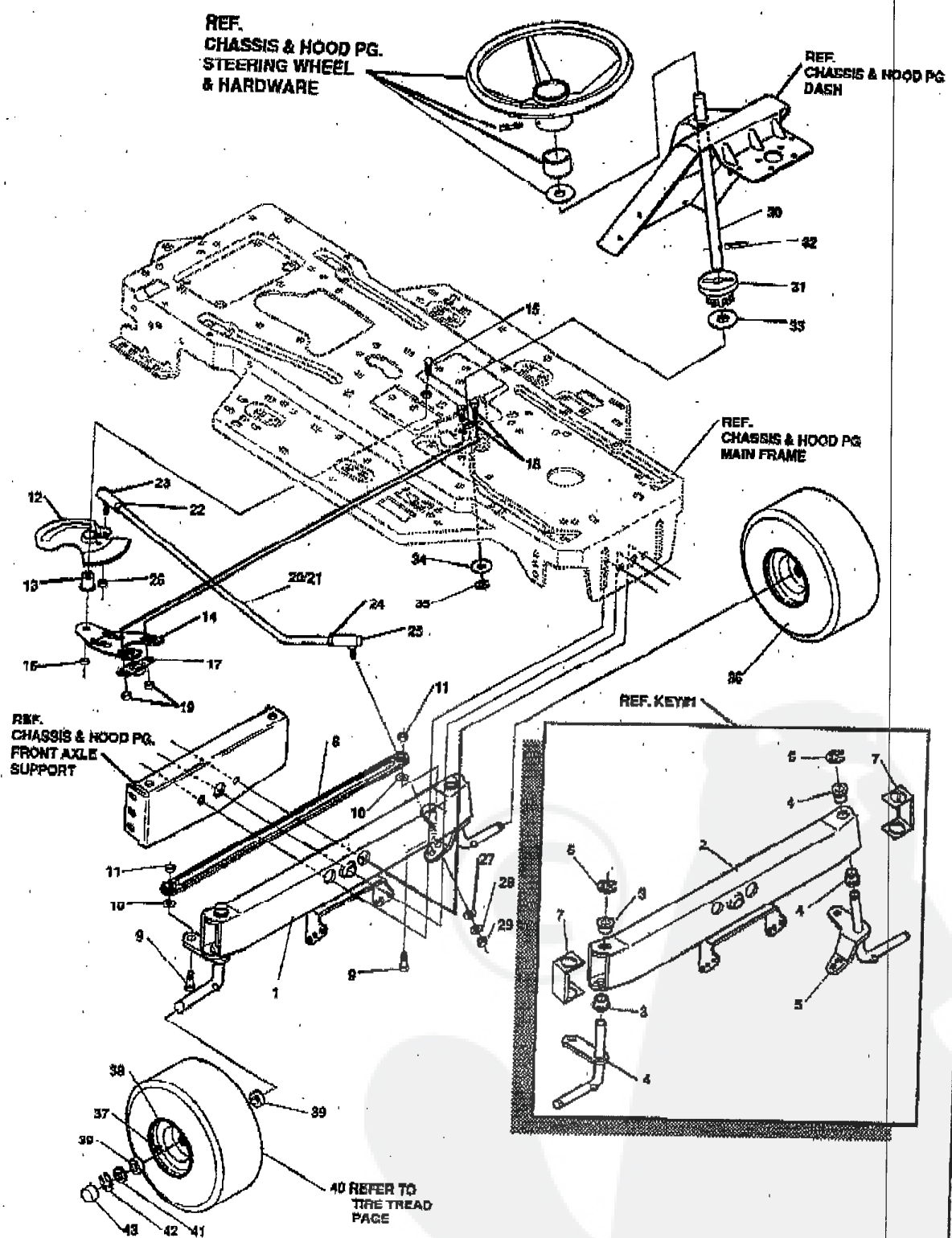
7/27

43" LAWN TRACTOR MODEL D3560-110

KEY#	PART#	DESCRIPTION	QTY.
1	320075-853	BRACKET, CLUT-ENGAGE LEVER	1
2	180079	SCREW, 5/16-18X1.00 HHC	2
3	120393	WASHER, FLAT .344X .69X.085	2
4	1498	NUT, 5/16-18 REGHEXCTRLK	2
5	304791	ASSY, CLUTCH LEVER	1
6	50148	BEARING, FL. .503ID X.626OD	1
7	8260	PIN, HAIR .091 DIA X1.66LG	1
8	318341	BRACKET, SWITCH ENGAGE	1
9	35498	SCREW, 6/16-18X .75 WAHTAP	1
10	1288	BRKT, CABLE RETAINER	1
11	48306	PULLEY, .906X.305 PM	1
12	58336	BOLT, .375X .375 HHSH 1/4-20	1
13	1502	NUT, 1/4-20 REGHEXCTRLK	1
14	300698-853	BRKT, FRAME CABLE	1
15	180020	SCREW, 1/4-20X .75 HHC	2
16	1502	NUT, 1/4-20 REGHEXCTRLK	2
17	901503	ASSY, CABLE, BLADE ENGAGE	1
18	120513	NUT, 1/4-28 HJAM	1
19	35498	SCREW, 5/16-18X .75 WAHTAP	1
20	57444	TIE, CABLE BLACK NYLON	1
21	300158-853	ASSY, REAR LIFT	1
22	300169-853	ASSY, LINK, RIGHT SIDE	1
23	180079	SCREW, 5/16-18X1.00 HHC	1
24	58247	ADJUSTING NUT	1
25	1498	NUT, 5/16-18 REGHEXCTRLK	1
26	417098	WASHER, FLAT .531X1.06X.095	1
27	8260	PIN, HAIR .091 DIA X1.66LG	2
28	58248-853	BRKT, REAR, HANG, SUSP.	2
29	128211	BOLT, 5/16-18X .63 CARR	4
30	1498	NUT, 5/16-18 REGHEXCTRLK	4
31	313926	BRACKET, HGT/ADJUST SUPPORT	1
32	180077	SCREW, 5/16-18X .75 HHC	3
33	1498	NUT, 5/16-18 REGHEXCTRLK	3
34	300336-860	BRACE, FENDER F-5 SUS	1
35	180079	SCREW, 5/16-18X1.00 HHC	1
36	45802	WASHER, FLAT .393X .87X.119	1
37	1498	NUT, 5/16-18 REGHEXCTRLK	1
38	180079	SCREW, 5/16-18X1.00 HHC	1
39	1498	NUT, 5/16-18 REGHEXCTRLK	1
40	301238	QUADRANT, HEIGHT ADJUST	1
41	180077	SCREW, 5/16-18X .75 HHC	2
42	1498	NUT, 5/16-18 REGHEXCTRLK	2
43	322292-853	HANDLE, LIFT SHORT BLK	1
44	300171	BOLT, .500X .270 HHSH 5/16-18	1
45	996418	WASHER, FLAT .505X .75X.024	1
46	14168	NUT, 5/16-18 HWDFLCTRLK	1
47	901239	PAWL, HEIGHT ADJUST	1
48	300171	BOLT, .500X .270 HHSH 5/16-18	1
49	44108	NUT, 5/16-18 HWDFLCTRLK	1
50	9435	POINTER Z-PL	1
51	138479	WASHER, EXLK.195X.41X.03	1
52	35287	SCREW, #8-32X .98 HWAT	1
53	303027	ROD, ACTUATOR SHORT	1
54	58328	SPRING, HEIGHT ADJUST	1
55	58325	KNOB, HGT ADJ PUSH BUTTON	1
56	58329	GRIP, .750 OD W/ HOLE	1
57	9149	BRKT, CABLE RETAIN	1
58	48306	PULLEY, .906X.305 NYLON	1
59	58336	BOLT, .375X .375 HHSH 1/4-20	1
60	1502	NUT, 1/4-20 REGHEXCTRLK	1
61	314177	CABLE, LIFT 23.30 F-5 20X8-8	1
62	300310	PIN, CLEVIS .310DIA- .475LG	1
63	300311	RING, RET E .31X.24	1
64	120375	NUT, 1/4-20 REGHEX	1
65	48306	PULLEY, .906X.305 NYLON	1
66	300317	PIN, CLEVIS .38 DIA X1.00 LG	1
67	8260	PIN, HAIR .091 DIA X1.66LG	1
68	9405	CLEVIS, LIFT CABLE	1
69	120872	NUT, 1/4-20 REG30	1
70	39522	PIN, CLEVIS .312 X .812	1
71	121222	PIN, COTTER .090/.086X.76LG	1
72	300835	LIFT COVER-39" F5	1
73	300340	SCREW, #10 X .75 HHPLAST	3
74	55514	KNOB, ROUND 1.50 BLACK	1

43" LAWN TRACTOR MODEL D3560-110

FRONT STEERING ASSEMBLY



NOTE: ALWAYS USE ORIGINAL EQUIPMENT PARTS. Use of service/replacement parts other than original equipment parts may void your warranty.

ALL UNNUMBERED ITEMS ARE INTERCHANGEABLE WITH OPPOSITE SIDE

317127E

9/27

43" LAWN TRACTOR MODEL D3560-110

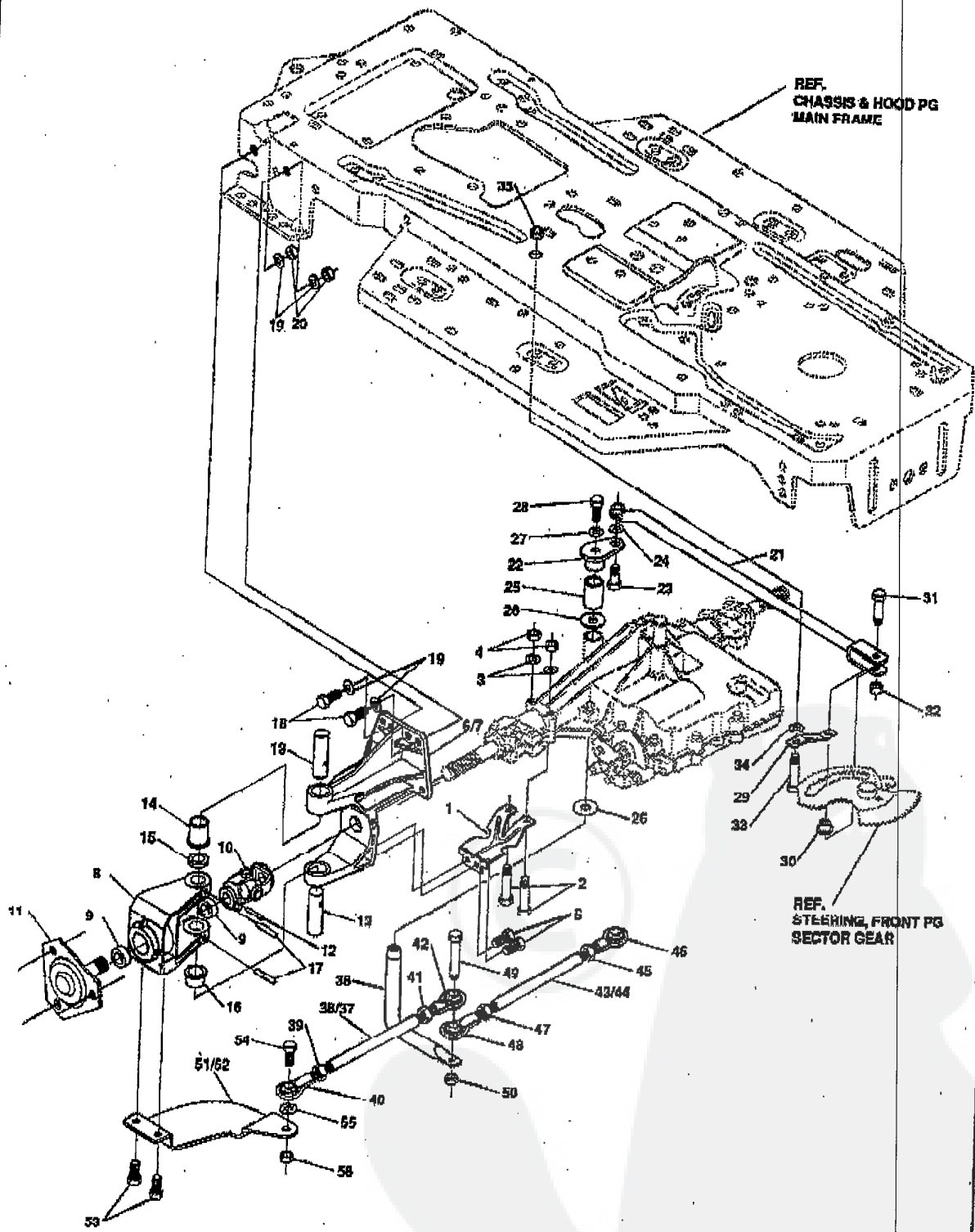
KEY#	PART#	DESCRIPTION	QTY.
1	A	AXLE, FRONT ASSY	1
2	300272-863	ASSY, FRONT AXLE SUS	1
3	52407	SPINDLE BEARING	4
4	9180	ASSY, SPINDLE RH LONG	1
5	314088	ASSY, SPINDLE, LH LONG	1
6	36625	RING, RETEX .57X.05TRUS133-75	2
7	53373-853	AXLE COVER	2
8	304590	TIE ROD ASSY 12.81LG W SECTION	1
9	180128	SCREW, 3/8-16X1.75 HHC	2
10	120362	WASHER, REGSPTLK.393X.68X.10	2
11	120369	NUT, 3/8-24 REGHEX	2
12	313634	ASSY SECTOR GEAR 4WS LF	1
13	313629	BUSHING, SECTOR GEAR 4WS LF	1
14	313671-853	SUPPORT, SECTOR GEAR 4WS LF	1
15	315196	SCREW, 1/2-20X3.00 HHC	1
16	274654	NUT, 1/2-20 REGHXCTRLK	1
17	302498	BEARING FLANGE 0.5 BORE	1
18	323731	SCREW, 5/16-24X.75SQ. CONE SEMS	2
19	71100	NUT, 5/16-24 HXWDFLLK	2
20	323752	ASM. DRAGLINK 4 WS LF	1
21	321449	DRAG LINK .625 DIA LF. 4WS	1
22	124925	NUT, 3/8-24 REGHEXJAM	1
23	57158	BALL JOINT 3/8 THD SHORT STUD	1
24	272123	NUT, 7/16-20 HXJAM	1
25	302865	JOINT, BALL ASSY 7/16-20	1
26	46692	NUT, 3/8-24 WDFLHLK WHIZ	1
27	120396	WASHER, FLAT .691X1.06X.095	1
28	120383	WASHER, REGSPTLK.459X.78X.12	1
29	271506	NUT, 7/16-20 REGHX	1
30	313699	SHAFT, STEERING 4WS LF	1
31	302314	PINION STEERING	1
32	302524	PIN DOWEL STR ERO LT	1
33	315194	WASHER, FLAT 1.38 X .51X.043	1
34	2968	WASHER, FLAT .504X.75X.059	1
35	20864	RING, RET E.39X.04TRUS133-50	1
36	A	TIRE & RIM, PU 15X8.0X6 TURF	2
37	24167	VALVE STEM	1
38	39829	WHEEL W/BRG.	1
39	39879	BEARING	1
40	301140	REFER TO TIRE TREAD PAGE	1
41	642	WASHER, FLAT .755X1.31X.075	4
42	36625	RING, RETEX .57X.05TRUS133-75	2
43	40394	CAP, HUB	2

* ORDER INDIVIDUAL PARTS.

10/27

43" LAWN TRACTOR MODEL D3560-110

REAR STEERING ASSEMBLY



NOTE: ALWAYS USE ORIGINAL EQUIPMENT PARTS. Use of service/replacement parts other than original equipment parts may void your warranty.

ALL UNNUMBERED ITEMS ARE INTERCHANGEABLE WITH OPPOSITE SIDE

326137A

11/27

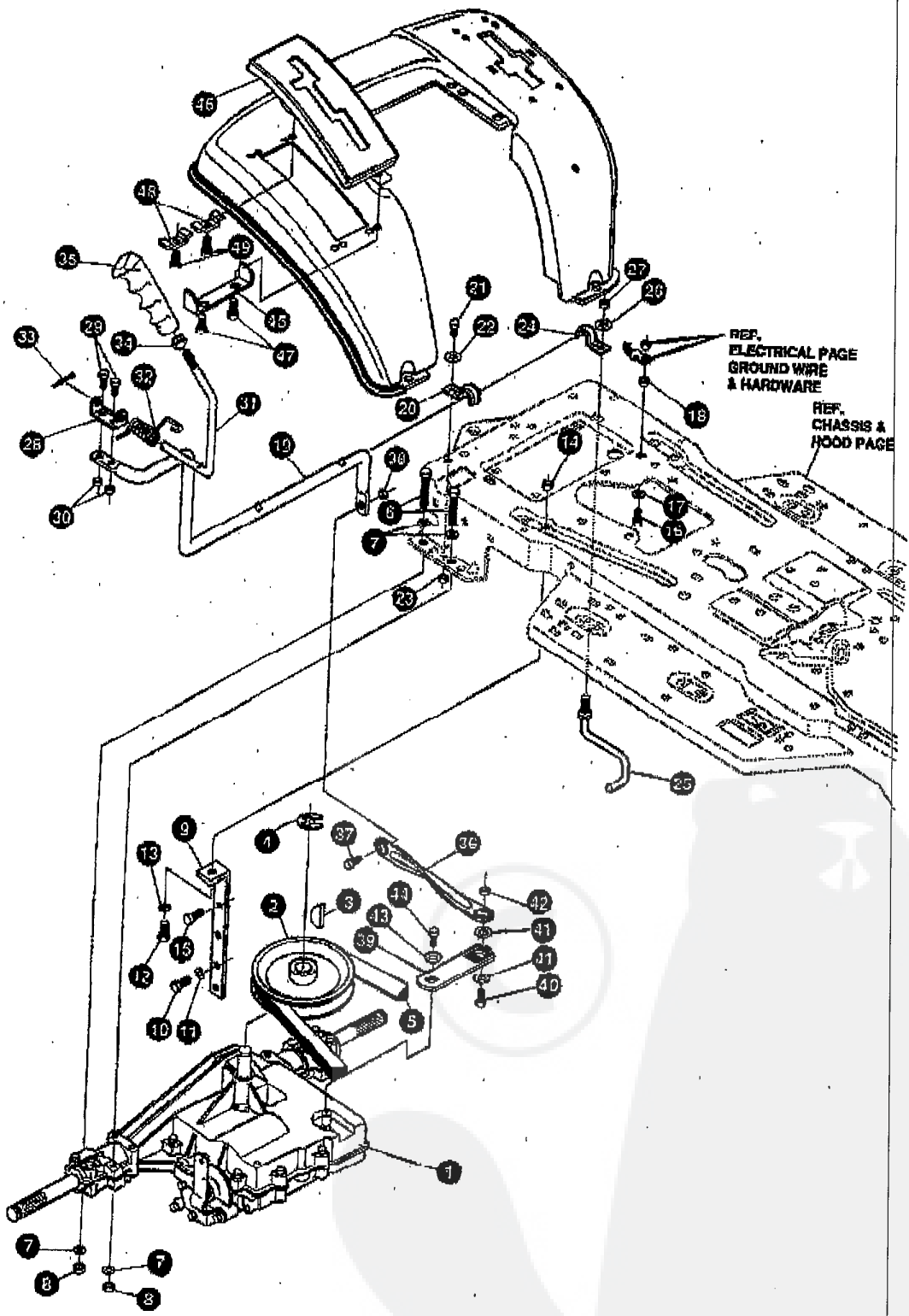
43" LAWN TRACTOR MODEL D3560-110

KEY#	PART#	DESCRIPTION	QTY.
1	303222-853	BRKT X-AXLE MTG	2
2	180091	SCREW, 5/16-18X2.50 HHC	4
3	120393	WASHER, FLAT .344X.69X.065	4
4	1498	NUT, 5/16-18 REGHEXCTRK	4
5	35498	SCREW, 5/16-18X.75 WAHHTAP	4
6	320135	U-JOINT ASM. 4WS LD LF	2
7	314267	BRCKT,STRG PIVOT W/DRILL HOLES	2
8	12465	BRACKET,STR PIVOT	2
9	12925	BEARING	4
10	320531	U-JOINT ASSEMBLY (LONG)	2
11	12280-830	HUB ASSEMBLY GREY 861	2
12	36911	PIN, GROOVED .250 DIA X 1.50 LG	2
13	12289	PIN, STEERING HINGE	4
14	324578	BUSHING, SHOULDERED (OILITE)	2
15	21682	WASHER, FLAT .765X1.25X.042 PL	2
16	324578	BUSHING, SHOULDERED (OILITE)	2
17	456722	PIN, SPRING.250DIA X 1.50 LG HVPL	4
18	122017	SCREW, 5/16-18X1.00 HHC	8
19	120393	WASHER, FLAT .344X.69X.065	16
20	1498	NUT, 5/16-18 REGHEXCTRK	8
21	324514	ROD ASM., DRAG LINK	1
22	308719	PIVOT, STEERING	1
23	12319	BOLT, .562X.340 HSSH 3/8-24	1
24	120394	WASHER, FLAT .406X.81X.065	1
25	304116	SPACER, STEERING SHAFT	1
26	25177	WASHER, FLAT .765X1.19X.048	2
27	45602	WASHER, FLAT .338X.87X.118	1
28	421031	SCREW, 5/16-24X1.00 HHC	1
29	302594	ARM ROLLER SWING 4 W	1
30	304116	CAM YOKE ROLLER	1
31	304122	SHOULDER BOLT CAM ROLLER	1
32	274654	NUT, 1/2-20 REGHXCTRK	1
33	324638	SHOUL BOLT CAM FOLLOWER	1
34	996307	WASHER, FLAT .391X1.00X.209	1
35	412349	NUT, 3/8-24 HXCTRK	1
36	308720	SHAFT, STEERING PIVOT	1
37	323634	TIE ROD ASSY RH	1
38	308447	ROD, TIE 1/2"D X 8.00 LG	1
39	308399	NUT, 3/8-24 LH THD REGHJAM	1
40	308384	ROD, TIE END LH 3/8-24 EURO	1
41	124925	NUT, 3/8-24 REGHEXJAM	1
42	304260	ROD, TIE END RH	1
43	323635	TIE ROD ASSY LH	1
44	308446	ROD, TIE 1/2"D X 9.5 LG	1
45	308399	NUT, 3/8-24 LH THD REGHJAM	1
46	308384	ROD, TIE END LH 3/8-24 EURO	1
47	124925	NUT, 3/8-24 REGHEXJAM	1
48	304260	ROD, TIE END RH	1
49	181646	SCREW, 3/8-24X1.75 HMC	1
50	412349	NUT, 3/8-24 HXCTRK	1
51	304120-853	ARM RW STR ERO RH	1
52	304121-853	ARM RW STR ERO LH	1
53	39728	SCREW, 3/8-16X.75 WAHHTAP BK	4
54	181639	SCREW, 3/8-24X1.25 HHC	2
55	120392	WASHER, REGSPTLK.393X.68X.10	2
56	412349	NUT, 3/8-24 HXCTRK	2

12/27

43" LAWN TRACTOR MODEL D3560-110

MOTION DRIVE ASSEMBLY



NOTE: ALWAYS USE ORIGINAL EQUIPMENT PARTS.
 Use of service/replacement parts other than original equipment parts may void your warranty.

**ALL UNNUMBERED
 ITEMS ARE INTERCHANGEABLE
 WITH OPPOSITE SIDE**

327673A

13/27

43" LAWN TRACTOR MODEL D3560-110

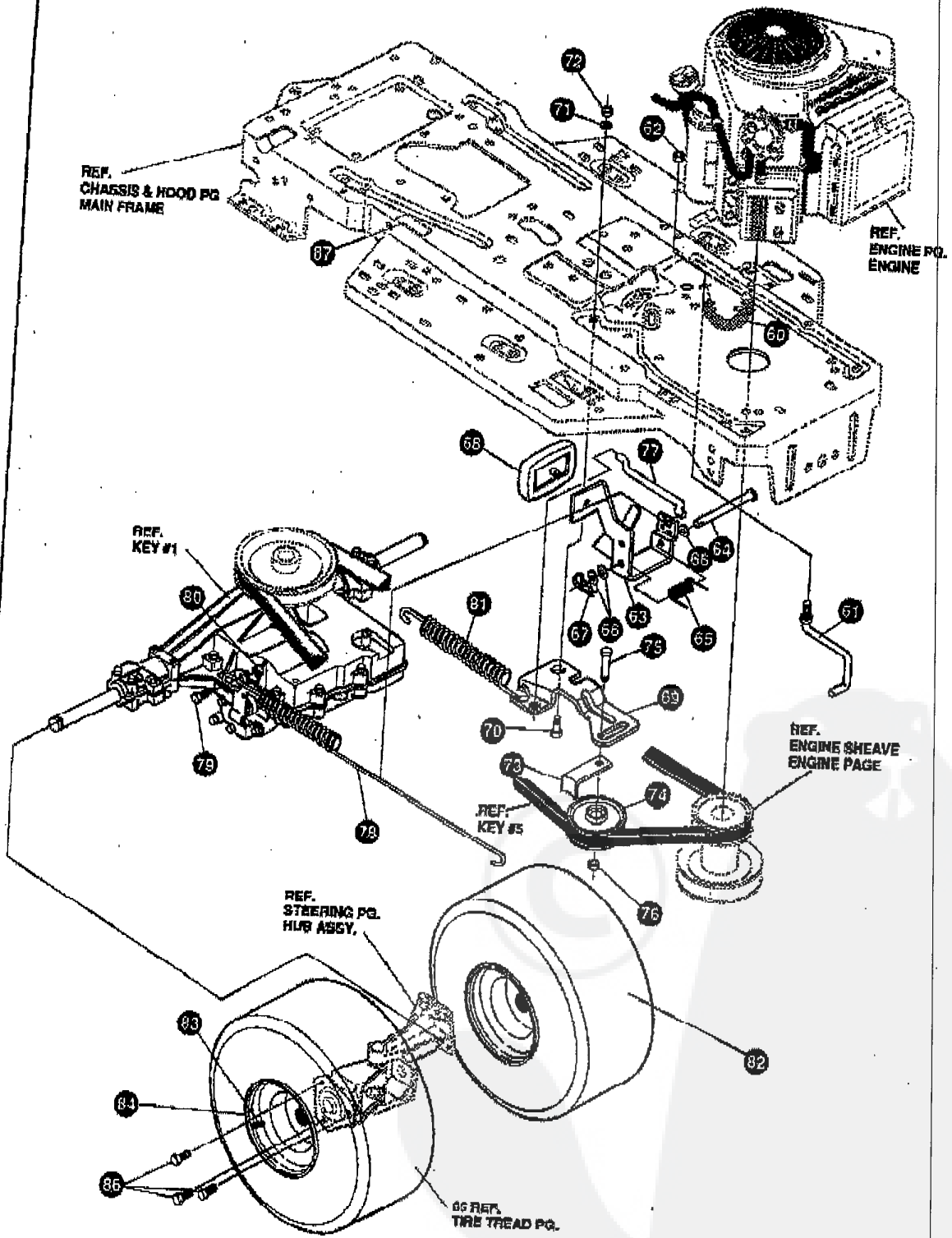
KEY#	PART#	DESCRIPTION	QTY.
1	A	TRANSAXLE P830-6 4WS LF	1
2	808109	PULLEY, V4L 920TA	1
3	3021	KEY, WDRF 606 .750X.167X.312	1
4	22059	RING, RETEX .58X.04TRU5100-62	1
5	314120	BELT, V 4L 87.25	1
6	180089	SCREW, 5/16-18X2.25 HHC	4
7	120393	WASHER, FLAT .344X .69X.065	8
8	1498	NUT, 5/16-18 REGHEXCTRLK	4
9	323471	STABILIZER BRKT P920, F4150	1
10	35498	SCREW, 5/16-18X .75 WAHHTAP	2
11	120638	WASHER, HVSPTLK .328X.80X.09	2
12	122017	SCREW, 5/16-18X1.00 HHC	1
13	120388	WASHER, FLAT .344X .69X.065	1
14	1498	NUT, 5/16-18 REGHEXCTRLK	1
15	80947	SCREW 3/8-16X1.25 WAHHTAP	1
16	122007	SCREW, 5/16-18X .75 HHC	1
17	139598	WASHER, REGINTLK.320X.61X.03	1
18	1498	NUT, 5/16-18 REGHEXCTRLK	1
19	319111	LEVER, SHIFT, LWR 4360	1
20	310347-853	CLIP-SHIFT LEVER .62 ROD	1
21	180077	SCREW, 5/16-18X .75 HHC	1
22	996416	WASHER, FLAT .391X1.00X.125	1
23	1498	NUT, 5/16-18 REGHEXCTRLK	1
24	310347-853	CLIP-SHIFT LEVER .62 ROD	1
25	87259	GUIDE, BELT 5/16-18THD	1
26	996416	WASHER, FLAT .391X1.00X.125	1
27	1498	NUT, 5/16-18 REGHEXCTRLK	1
28	310356	PIVOT BRKT LEVER	1
29	180018	SCREW, 1/4-20X .62 HHC	2
30	1502	NUT, 1/4-20 REGHEXCTRLK	2
31	308835	LEVER, SHIFT UPPER SF 1/2-13TH	1
32	310265	SPRING, TORS. .56X.95X.095	1
33	137185	PIN, COTTER .125 DIA X1.00LG	1
34	120238	NUT, 1/2 18 HEXJAM	1
35	306690	HANDLE 1/2-13	1
36	314965	LINK TIE ROD SHIFTER	1
37	180124	SCREW, 3/8 16X1.25 HHC	1
38	1498	NUT, 3/8-16 REGHXCTRLK	1
39	308637	BRACKET, SHIFT SSP	1
40	180124	SCREW, 3/8-16X1.25 HHC	1
41	120394	WASHER, FLAT .406X .81X.065	2
42	1499	NUT, 3/8-16 REGHXCTRLK	1
43	57157	WASHER, .750X.250 SP-TRANSAXLE	1
44	56255	SCREW, 1/4-28X .75 NYLHHC	1
45	311257-853	BRACKET COVER	1
46	311209	COVER PLASTIC	1
47	311331	SCREW, 1/4-15X.44/.53 HILOHWWA	2
48	1341	CLAMP SPRING	2
49	311331	SCREW, 1/4-15X.44/.53 HILOHWWA	2

^ CONTACT YOUR NEAREST TRANSAXLE DEALER FOR PARTS AND SERVICE.

14128

43" LAWN TRACTOR MODEL D3560-110

MOTION DRIVE ASSEMBLY



NOTE: ALWAYS USE ORIGINAL EQUIPMENT PARTS.
 Use of service/replacement parts other than original equipment parts may void your warranty.

ALL UNNUMBERED ITEMS ARE INTERCHANGEABLE WITH OPPOSITE SIDE

327673A

15/27

43" LAWN TRACTOR MODEL D3560-110

KEY#	PART#	DESCRIPTION	QTY.
60	321514	SPRING BIAS DRAGLINK	1
61	304016	GUIDE BELT	1
62	1498	NUT, 5/16-18 REGHEXCTRLK	1
63	325942	PEDAL ASSY, BRAKE/CLUTCH	1
64	319675	ROD, PIVOT	1
65	57847	SPRING, BRAKE PEDAL	1
66	2988	WASHER, FLAT .504X .75X.059	2
67	56180	PIN, HAIR	1
68	48160	PAD, CLUTCH BRAKE	1
69	320361-858	ARM, IDLER TRACTION DR.	1
70	300793	BOLT, .625X .135 HHSH 5/16-18	1
71	45902	WASHER, FLAT .393X .87X.119	1
72	1498	NUT, 5/16-18 REGHEXCTRLK	1
73	39659	RETAINER, STRAP BELT	1
74	35974	PULLEY, IDLER V4L 3.06X .52	1
75	45892	BOLT, 3/8-16X1.50 CARR	1
76	1498	NUT, 3/8-16 REGHXCTRLK	1
77	57204	ROD, CLUTCH	1
78	325837	SPRING BRAKE CLUTCH	1
79	326131	SHOULDER BOLT	1
80	1498	NUT, 5/16-18 REGHEXCTILK	1
81	313660	SPRING, CLUTCH .119X.750X8.75	1
82	^	TIRE & RIM, PU 20-10X8 GENERIC	2
83	24167	VALVE STEM	1
84	318667	RIM, WHEEL 20X8	1
85	58276	TIRE, PU 20X10X8 SQSH	1
86	129418	SCREW, 1/2-20X .50 HHC	6
87	313039	DECAL, 4WS PATENT NO. 5048853	1

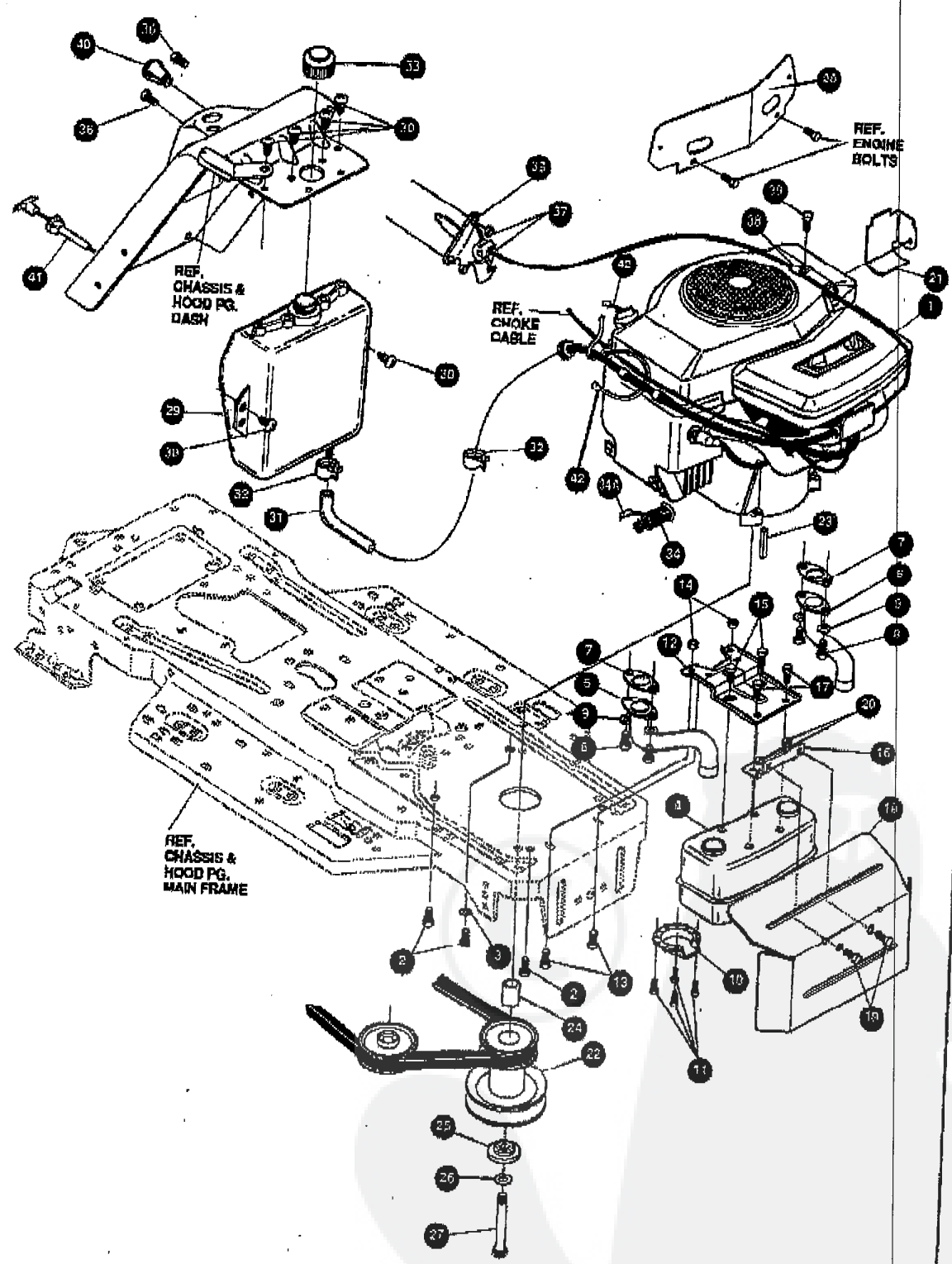
^ ORDER INDIVIDUAL PARTS.



16/87

43" LAWN TRACTOR MODEL D3560-110

ENGINE & CONTROL ASSEMBLY



NOTE: ALWAYS USE ORIGINAL EQUIPMENT PARTS. Use of service/replacement parts other than original equipment parts may void your warranty.

ALL UNNUMBERED ITEMS ARE INTERCHANGEABLE WITH OPPOSITE SIDE

326267B

11/27

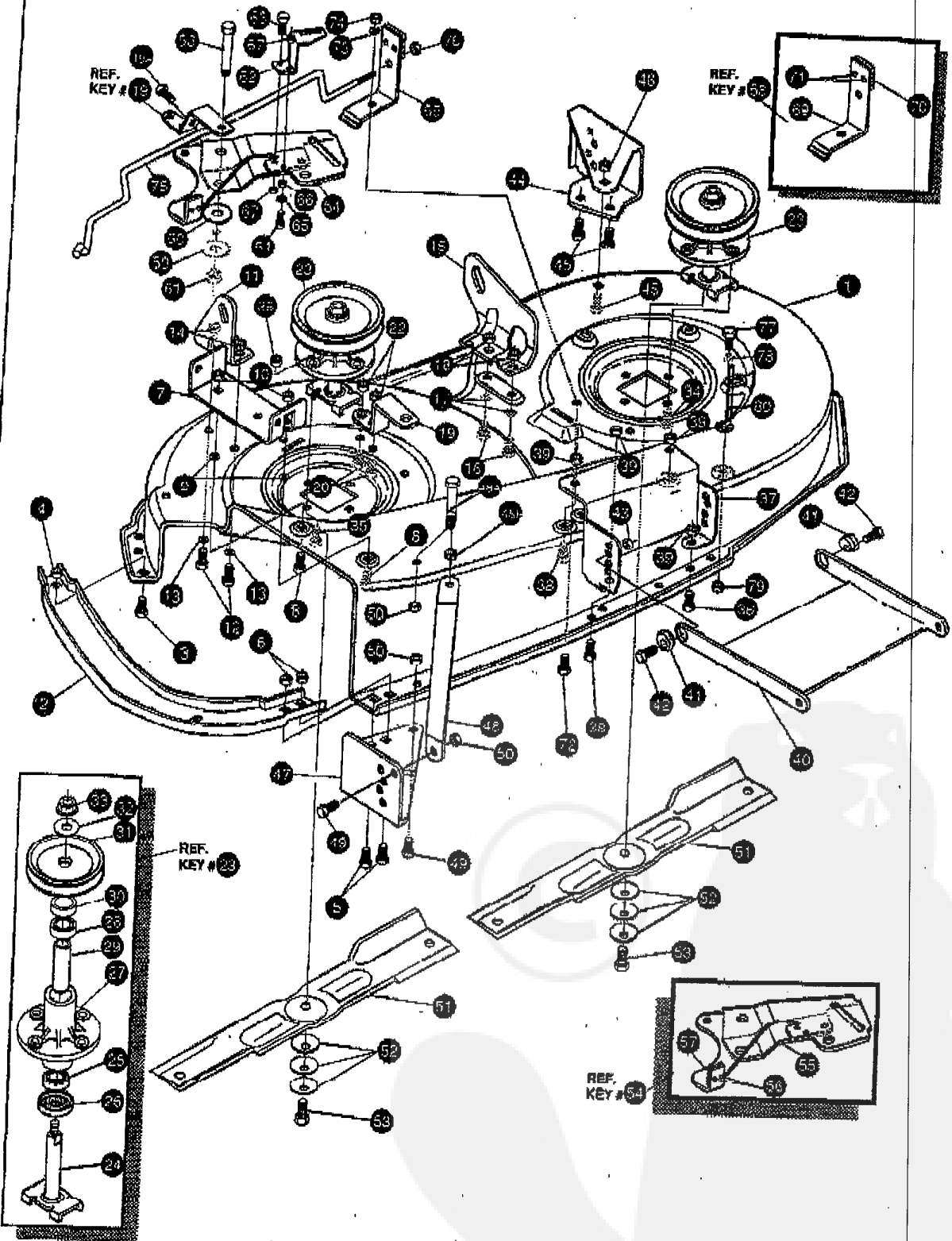
43" LAWN TRACTOR MODEL D3560-110

KEY#PART#	DESCRIPTION	QTY.
1. ENGINE	B&S 14-18 STD/IC DUAL (SEE ENGINE MANUAL)	1
2. 50947	SCREW, 9/8-16X1.25 WAHMTAPBLKP	4
3. 138489	WASHER, EXLK .384X.68X.04	1
4. 305550	MUFFLER, 16/18HP LARGE LO-TONE	1
5. 305552	EXHAUST TUBE 18HP B&S RH	1
6. 305551	EXHAUST TUBE 18HP LH	1
7. 58840	GASKET, MUFFLER	2
8. 180020	SCREW, 1/4-20X .75 HHC GR5	4
9. 120980	WASHER, REGSPTLK.263X.49X.07	4
10. 56472	DEFLECTOR SIDE OUT (BS222579)	1
11. 55287	SCREW, #8-32X .38 HHWATAPGR2	4
12. 304709-853	BRACKET, MUFFLER	1
13. 56030	SCREW, 5/16-18X.75WDFFLK GR5	2
14. 55273	NUT, 5/16-18 HXWDFLLK	2
15. 995346	SCREW, 1/4-20X .50 WAHMTAP	2
16. 9796	ML BRACKET, TRANSAXLE MOUNTING	1
17. 995338	SCREW, 1/4-20X .63 HHWATAP	2
18. 308844-853	MP SHIELD, MUFFLER HEAT 18HPB&S	1
19. 180077	SCREW, 5/16-18X .75 HHC GR5	2
20. 55273	NUT, 5/16-18 HXWDFLLK	2
21. 56470-853	MP DEFLECTOR, COOL AIR	1
22. 816802	PULLEY, ENG VSL 4.00 OFFSET	1
23. 57791	KEY, SQUARE .250SQ X 5.00LG	1
24. 304246	SPACER, SLEW1.01X1.484X	1
25. 56431	WASHER, .980IDX1.380DX.437PILOT	1
26. 120389	WASHER, REGSPTLK.459X.78X.12	1
27. 428644	SCREW, 7/16-20X5.00 HHC BLK PH	1
28. 52796-853	MP BULKHEAD, HOOD H-8	1
29. 314992	TANK, FUEL 2 GAL CLEAR	1
30. 49050	SCREW, 1/4-10X .75PHNTAPGR2BK	8
31. 41007	TUBING, .25X 50X BULK GAS LINE	15'
32. 47345	CLAMP, FUEL LINE RED	2
33. 46704	CAP, GAS 1-1/2-7 THD BLK	1
34. 325547	OIL DRAIN TW	1
34A 327422	OIL DRAIN CAP	1
35. 300456	CONTROL, THROTTLE 31LG TWIN BS	1
36. 320553	SCREW, 10-24X.63PHPNMA CRSS	2
37. 271168	NUT, #10-24 HEXKEPS	2
38. 56538	RETAINER, WIRE	1
39. 35258	SCREW, 10-24X.38 SLHWATAPGR2	1
40. 50607	KNOB, ROUND THROTTLE BLACK	1
41. 300432	CONTROL, CHOKE 47.13LG PAN TK	1
42. 57444	TIE, CABLE BLACK NYLON 5.62L	2

18127

43" LAWN TRACTOR MODEL D3560-110

PRE-PAINTED DECK ASSEMBLY



NOTE: ALWAYS USE ORIGINAL EQUIPMENT PARTS. Use of service/replacement parts other than original equipment parts may void your warranty.

ALL UNNUMBERED ITEMS ARE INTERCHANGEABLE WITH OPPOSITE SIDE

92A144E

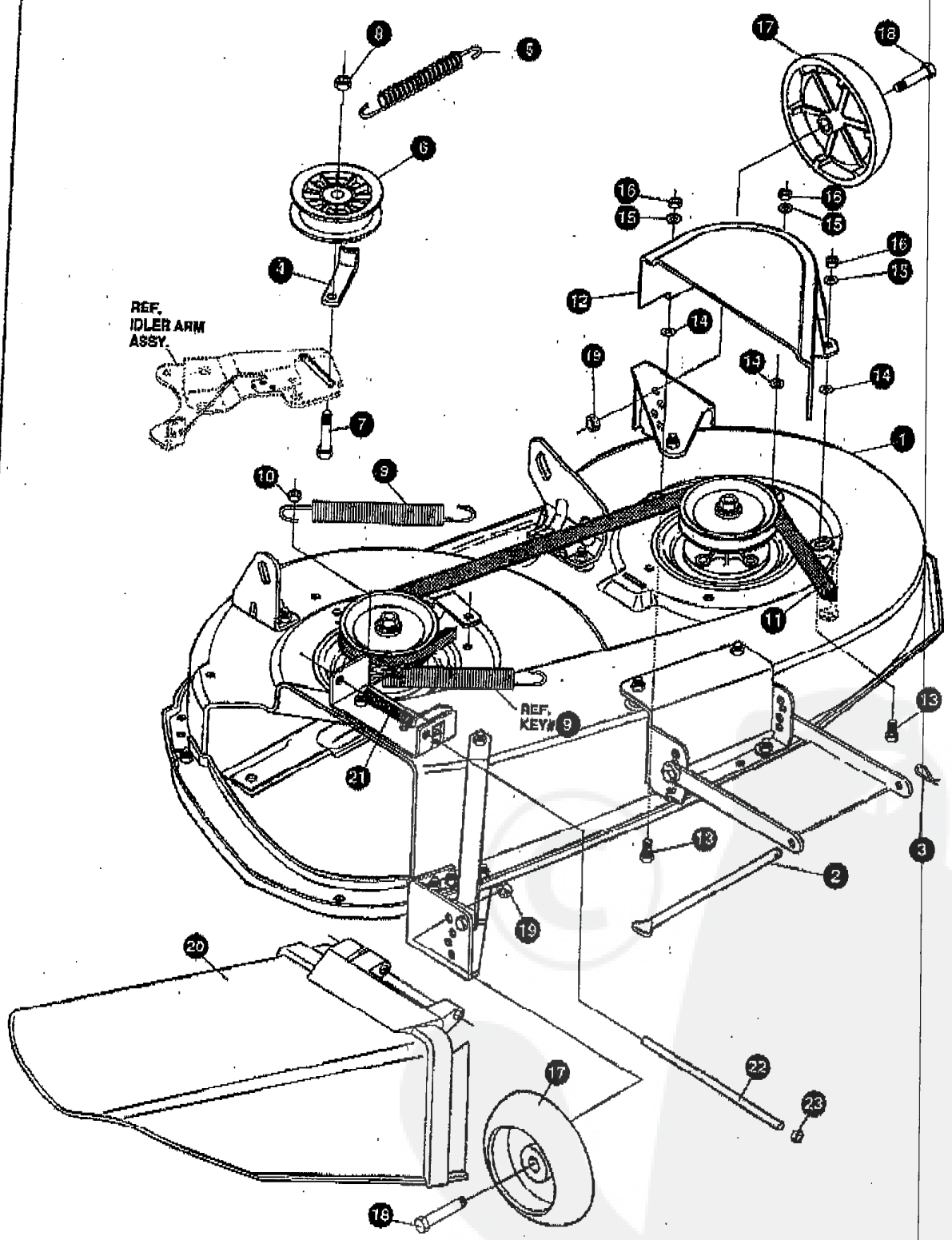
43" LAWN TRACTOR MODEL D3560-110

KEY#	PART#	DESCRIPTION	QTY.
1	325116-853	MOWER DECKS, RIDER 43"	1
2	326440-853	TOE GUARD	1
3	180075	SCREW, 5/16-18X .63 HHC	1
4	1498	NUT, 5/16-18 REGHEXCTRLK	1
5	122007	SCREW, 5/16-18X .75 HHC	2
6	1498	NUT, 5/16-18 REGHEXCTRLK	2
7	317017	BRACKET CHUTE MOUNT	1
8	180075	SCREW, 5/16-18X .63 HHC	2
9	120393	WASHER, FLAT .344X.69X.065	2
10	1498	NUT, 5/16-18 REGHEXCTRLK	2
11	313929	LIFT BRACKET, REAR, RH	1
12	180077	SCREW, 5/16-18X .75 HHC	2
13	120393	WASHER, FLAT .344X .69X.065	2
14	1498	NUT, 5/16-18 REGHEXCTRLK	2
15	310667	BRACKET DECK LIFT REAR LH	1
16	180077	SCREW, 5/16-18X .75 HHC GRS	2
17	120393	WASHER, FLAT .344X .69X.065	2
18	1498	NUT, 5/16-18 REGHEXCTRLK	2
19	326883-853	BRACE IDLER	1
19A	308231	SCREW, 1/4-20X1.25 HHWATAP	1
20	180077	SCREW, 5/16-18X .75 HHC	2
22	44108	NUT, 5/16-18 HWDFLCTRLK	2
23	56424-853	QUILL ASSY, 38/39/40/43	2
24	56425	SHAFT/SADDLE 36"	1
25	48262	BRNG, BALL	1
26	50616	DJUST SHIELD	1
27	35547	QUILL CASTING (1046)	1
28	48562	BRNG, BALL	1
29	50818	SPACER, 2.787LGX.868IDX.880D	1
30	51449	SPACER, .438LGX.932ODX.672ID	1
31	313898	PULLEY, 28/36" QUILL V&L	1
32	56385	SPECIAL WASHER	1
33	1282	NUT, 7/16-20 WDFLLK	1
34	50634	SCREW, 5/16-18X .88 WAHHTAP	7
35	300345	SCREW, 5/16-18X1.38 WATAP	1
36	1498	NUT, 5/16-18 REGHEXCTRLK	1
37	313778	BRACKET FRT.	1
38	180075	SCREW, 5/16-18X .63 HHC	4
39	1498	NUT, 5/16-18 REGHEXCTRLK	4
40	58305-853	LINK BRACKET, DECK FR	1
41	58247	ADJUSTING NUT	2
42	122017	SCREW, 5/16-18X1.00 HHC	2
43	1498	NUT, 5/16-18 REGHEXCTRLK	2
44	317011	BRACKET, GAGE WHEEL, L.H.	1
45	180075	SCREW, 5/16-18X .63 HHC	3
46	1498	NUT, 5/16-18 REGHEXCTRLK	3
47	822484-853	BRACKET, GAGE WHEEL, R.H. FRNT	1
48	314282-853	BRACKET, STABILIZER	1
48A	311104	SCREW 5/16-18X.80 HHC GR.5	1
48B	271184	NUT, 5/16 HEX KEPS	1
49	180075	SCREW, 5/16-18X .63 HHC	1
50	1498	NUT, 5/16-18 REGHEXCTRLK	2
51	326981	BLADE, LOW-LIFT 21.70	3
52	2483	WASHER, 39IDX1.25DX.07 BELL VL	2
53	39573	SCREW, 3/8-24X1.00 NYLHHC	6
54	320576-853	IDLER ARM ASSY	2
55	322118-853	IDLER ARM	1
56	41801	RIVET	1
57	308273	BRAKE PAD	2
58	304420	SHOULDER BOLT	1
59	996418	WASHER, FLAT 391X1.00X.125	1
60	896807	WASHER, FLAT .391X1.00X.209	1
61	45171	NUT, 3/8-16 HWDFL WHIZ-LOCK	1
62	300700-853	BRACKET, EXTENSION IDLER	1
63	180075	SCREW 5/16-18X.63 HHC GR.5	1
64	180083	SCREW, 5/16-18X1.50 HHC GR.5	1
65	446363	WASHER, FLAT	1
66	271184	NUT 5/16-18 HEX KEPS	1
67	1498	NUT	1
68	321828-853	BLADE BRAKE ASSY	2
69	304119-853	BRAKE ARM	1
70	306973	BRAKE PAD	1
71	135624	RIVET	1
72	180076	SCREW, 5/16-18X.63	2
73	120393	WASHER, FLAT .344X.69X.065	1
74	1498	NUT, 5/16-18 REGHEXCTRLK	1
75	314079	ROD, BRAKE	1
76	1502	NUT, 1/4-20 REGHEXCTRLK	1
77	180079	SCREW, 5/16-18X1.00 HHC GRS	1
78	120393	WASHER, FLAT .344X.69X.065	1
79	1498	NUT, 5/16-18 REGHEXCTRLK	1
80	325885	BELT GUIDE 43" DECK UPSTOP	1

20/27

43" LAWN TRACTOR MODEL D3560-110

FINAL DECK ASSEMBLY



NOTE: ALWAYS USE ORIGINAL EQUIPMENT PARTS.
 Use of service/replacement parts other than original equipment parts may void your warranty.

**ALL UNNUMBERED
 ITEMS ARE INTERCHANGEABLE
 WITH OPPOSITE SIDE**

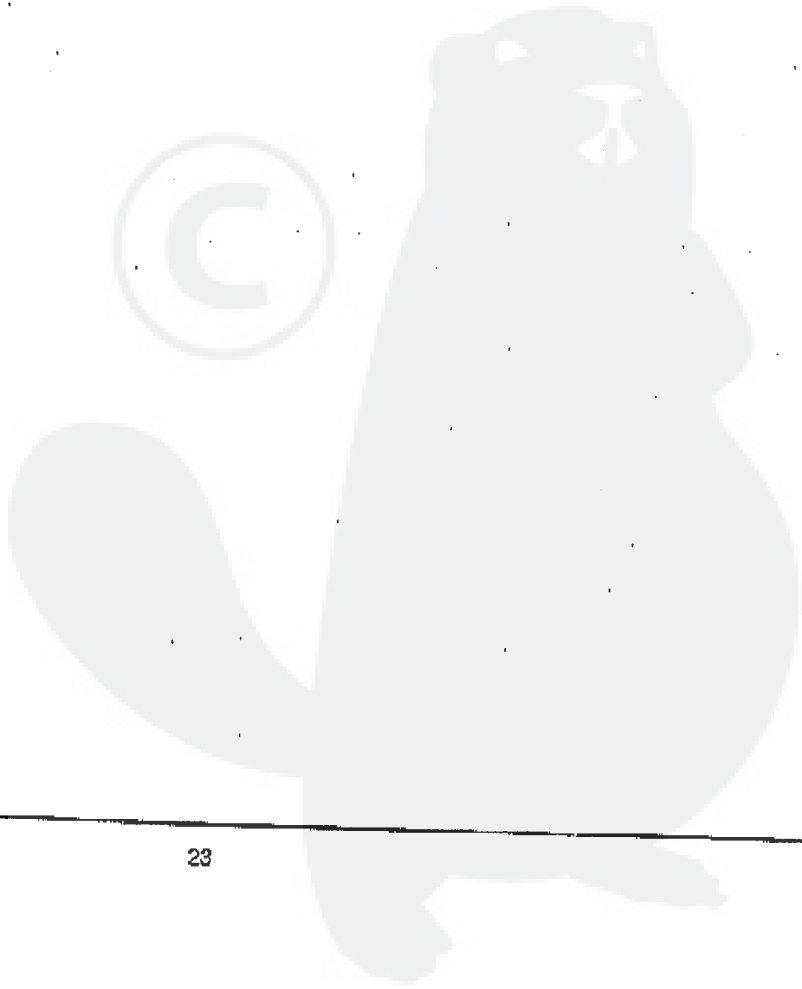
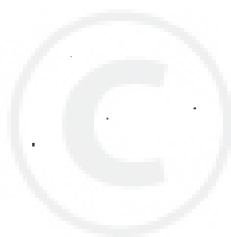
326401C

2/1/07

43" LAWN TRACTOR MODEL D3560-110

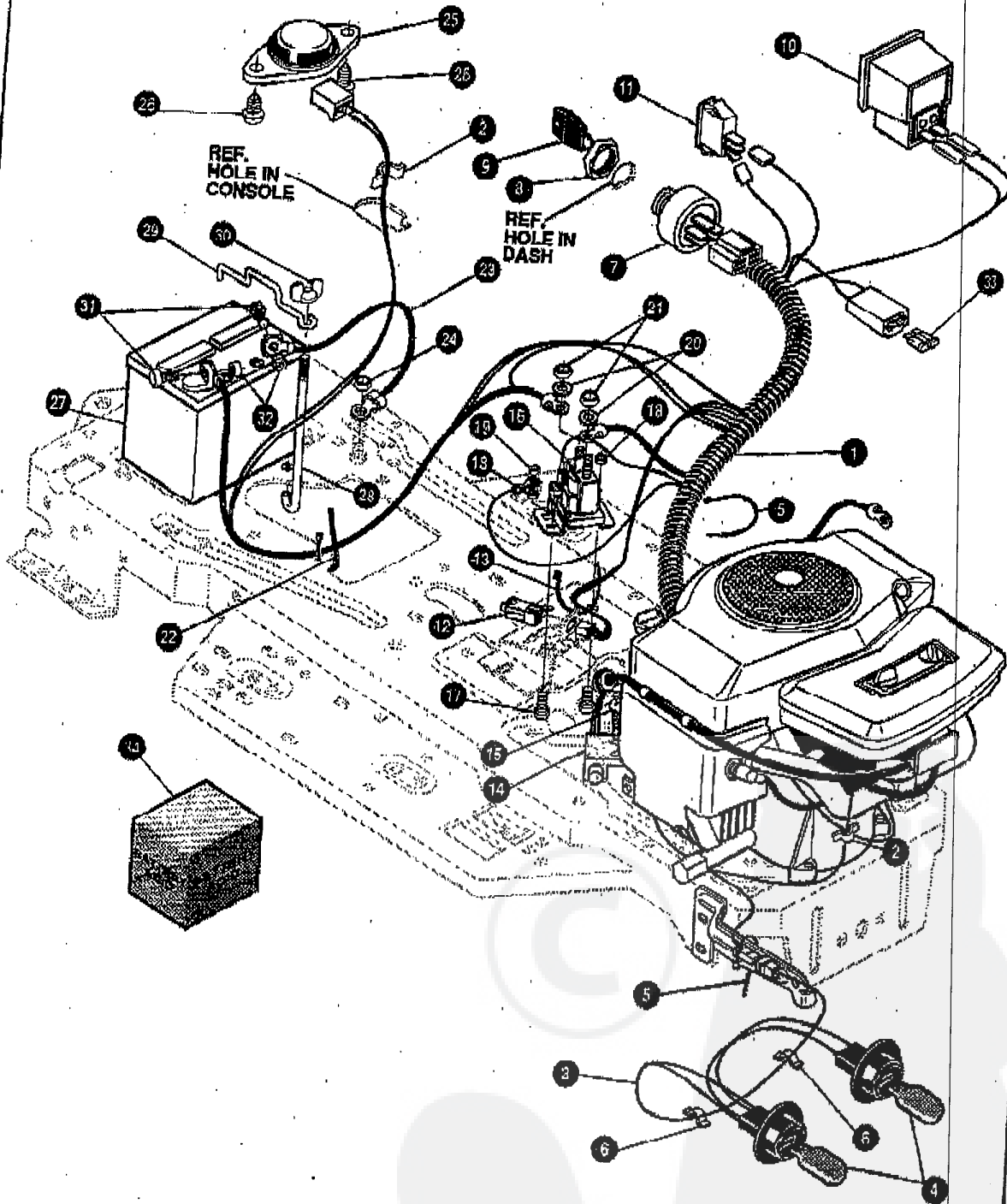
KEY#	PART#	DESCRIPTION	QTY.
1	A	DECK, 43" MOWER 2-WH BLACK 653 EXPORT	1
2	58306	ROD, DECK HITCH	1
3	8280	PIN, HAIR .081 DIA X 1.66 LG	1
4	1346	GUIDE, BELT, IDLER	1
5	314107	SPRING, TENSION 5.00 LG + 17 LB/MIN	1
6	310326	PULLEY, IDLER BFF 4.00 WIDE FL	1
7	128416	BOLT, 3/8-16 X 1.75 CARR	1
8	44874	NUT, 3/8-16 HXWDFLK	1
9	35410	SPRING .071 X .62 X 4.37	1
10	1498	NUT, 5/16-18 REG HEX CTRLK	1
11	314108	BELT, V SI .85 00 KEVLAR	1
12	324814	GUARD, BELT LH PLASTIC	1
13	57101	CARRIAGE BOLT	3
14	309436	PUSHNUT 5/16 NON-SERVICEABLE	3
15	120393	WASHER, FLAT .344 X .69 X .065	3
16	1498	NUT, 5/16-18 REG HEX CTRLK	3
17	302611	GUAGE WHEEL EURO	2
18	23783	BOLT, 5.00 X 1.99 HSSH	2
19	1499	NUT, 3/8-16 REG HEX CTRLK	2
20	304422	CHUTE DEFLECTOR 40", 42", 43"	1
21	314975	TORSION SPRING	1
22	304424	ROD, PIVOT DECK	1
23	3835	PUSH NUT	1

* ORDER DECK KIT# 329036 FOR COMPLETE DECK.



43" LAWN TRACTOR MODEL D3560-110

ELECTRICAL ASSEMBLY



NOTE: ALWAYS USE ORIGINAL EQUIPMENT PARTS.
 Use of service/replacement parts other than original equipment parts may void your warranty.

**ALL UNNUMBERED
 ITEMS ARE INTERCHANGEABLE
 WITH OPPOSITE SIDE**

325513C

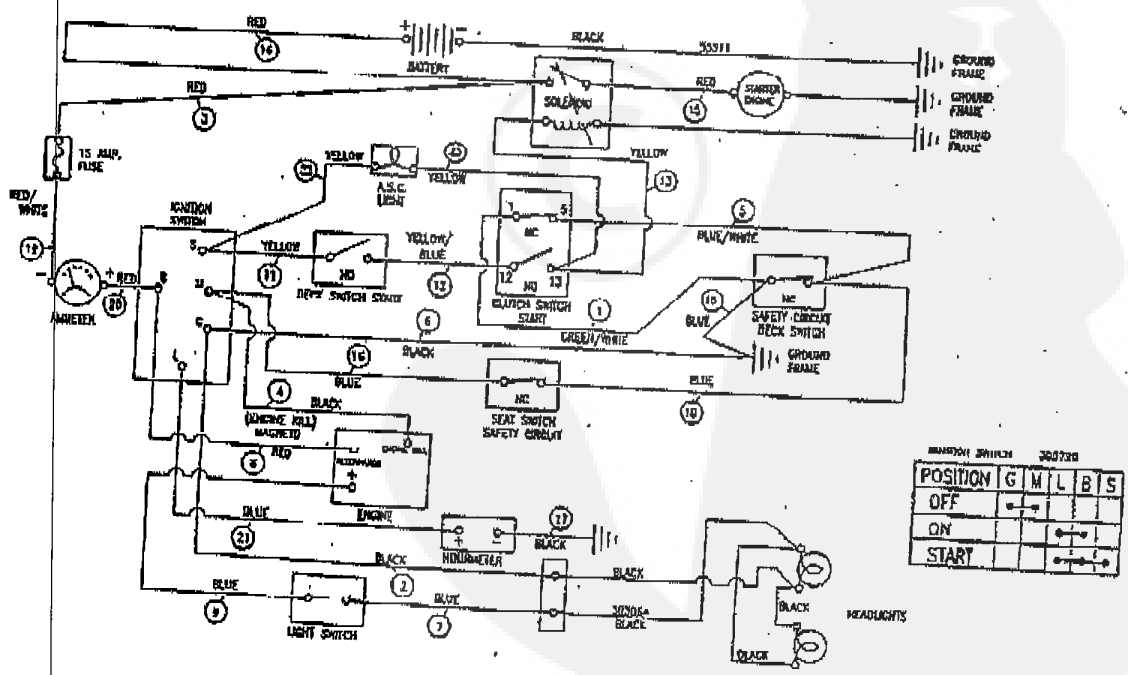
23127

43" LAWN TRACTOR MODEL D3560-110

KEY#	PART#	DESCRIPTION	QTY.
1.	322798	WIRE HARNESS 14-18TWIN OPP DYN	1
2.	41482	PRESS CLIP, 1.380LG .255ID	2
3.	803084	ASSY, LIGHT WIRE-1/4 TURN	1
4.	52572	BULB, HEADLAMP	2
5.	322585	TIE, CABLE BLACK NYLON 5.62L	2
6.	41482	PRESS CLIP, 1.380LG .255ID	2
7.	327355	SWITCH-IGN.(AFTER FIRE) 3 POSN	1
8.	327352	NUT, 5/8-32 HXHD IGN SWIT	1
9.	327350	KEY, IGNITION SWITCH	1
10.	300133	AMMETER	1
11.	300384	LIGHT SWITCH ON/OFF PANEL	1
12.	320082	SWITCH, DOUBLE POLE NO/NC BLACK	1
13.	57444	TIE, CABLE BLACK NYLON 5.62L	1
14.	57476	SWITCH, SCR MNT DP NC NO	1
15.	67220	SCREW, #12 X .50 PHPNHTAP	2
16.	53716	SOLENOID	1
17.	187745	SCREW, 1/4-20X .75 HXSEMMA	2
18.	1502	NUT, 1/4-20 REGHEXCTRLK	2
19.	271172	NUT, 1/4-20 REGHEXKEPS	1
20.	138485	WASHER, EXLK .820X.61X.03	2
21.	120368	NUT, 5/16-24 REGHEX	2
22.	57444	TIE, CABLE BLACK NYLON	1
23.	55511	WIRE, GROUND, 12.5'	1
24.	271184	NUT, 5/16-18 HEXKEPS	1
25.	57547	SWITCH, SEAT	1
26.	160505	SCREW, 1/4-20X .38PHPNHMA	2
27.	302257	BATTERY 12VOLT, GENERIC	1
28.	57551	ROD, BATTERY	1
29.	57552	ROD, BATTERY, TOP	1
30.	325232	NUT, WING 1/4-20 NYLON	1
31.	120854	SCREW, 1/4-20X .63 HHC	2
32.	271172	NUT, 1/4-20 REGHEXKEPS	1
33.	** 302081	FUSE, 15 AMP SPADE TYPE	2
34.	A	BATTERY ACID, 80 OZ.	1

** SPADE TYPE FUSES ARE INCLUDED WITH THE WIRE HARNESS.
 A CAN BE PURCHASED LOCALLY.

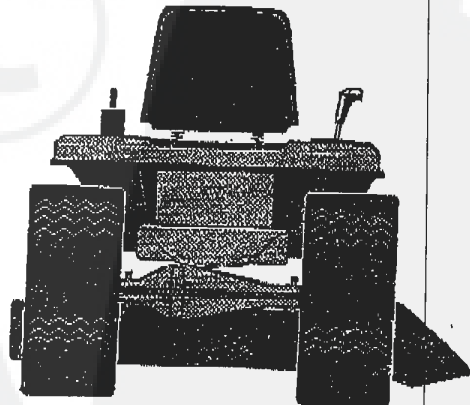
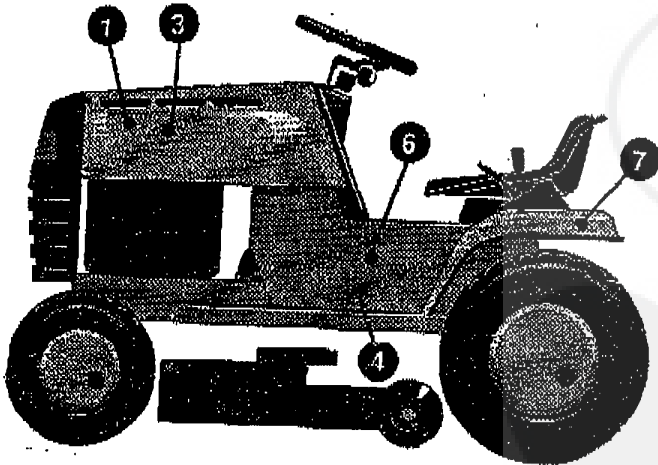
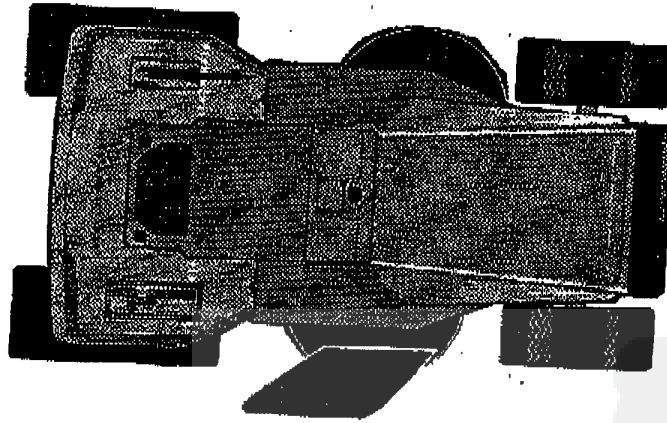
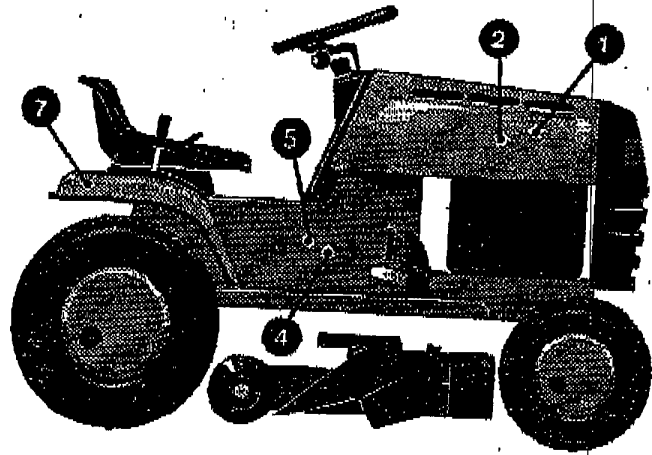
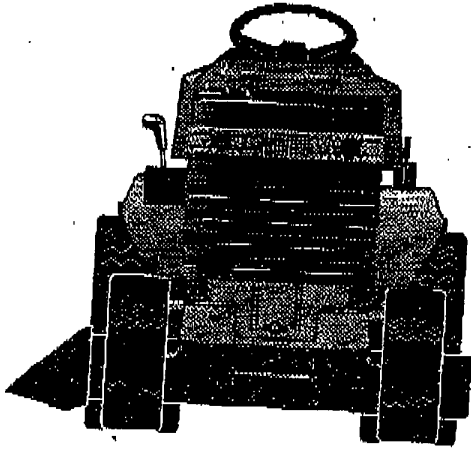
SCHEMATIC DRAWING



24117

43" LAWN TRACTOR MODEL D3560-110

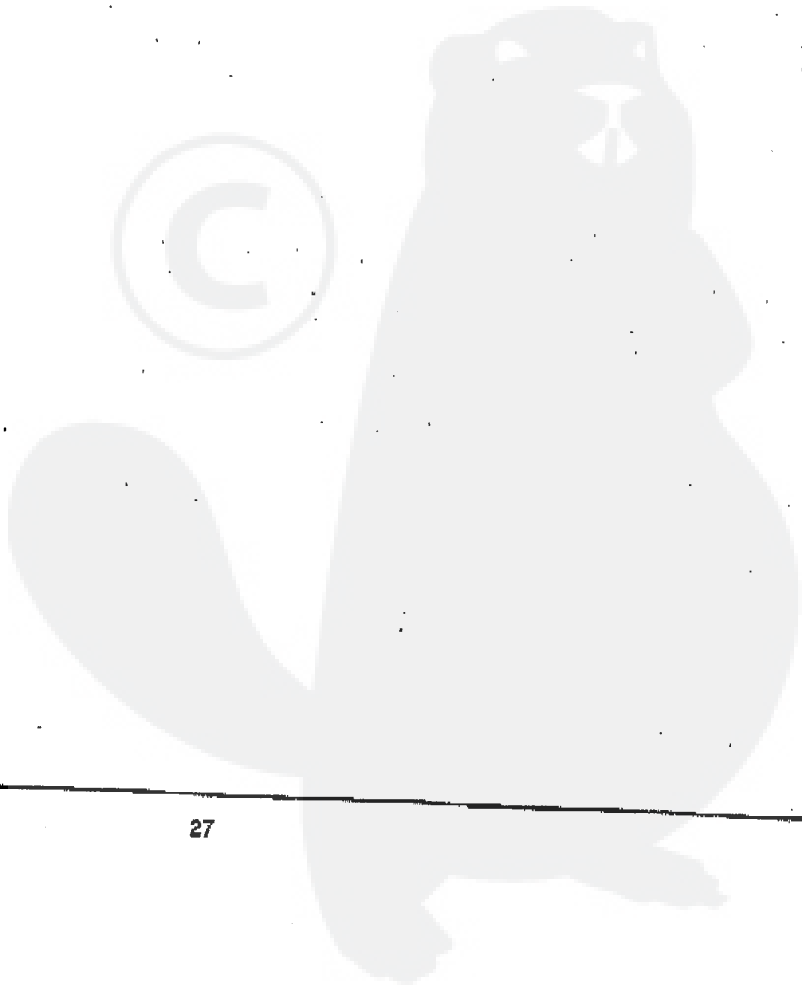
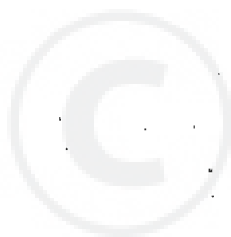
DECALS (DECORATIVE)



25724

43" LAWN TRACTOR MODEL D3560-110

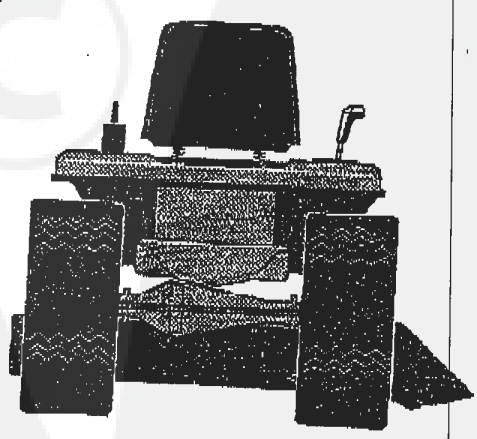
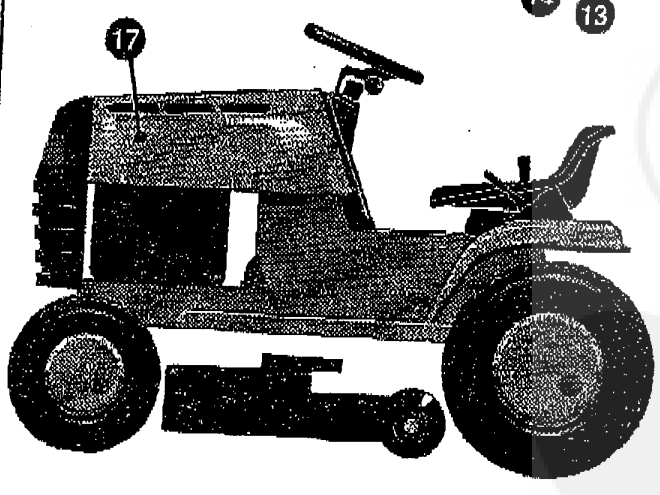
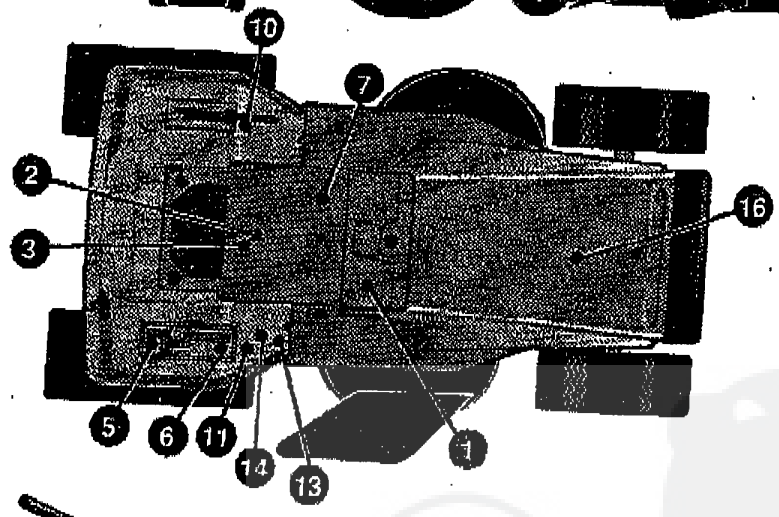
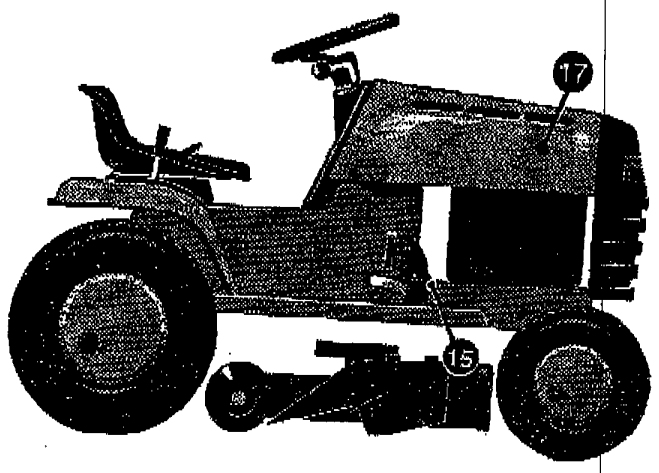
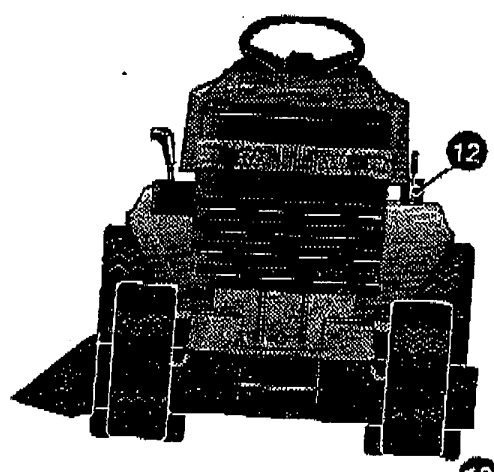
KEY#	PART#	DESCRIPTION	QTY.
1.	402142	NAMEPLATE TURFMASTER	2
2.	320714	DECAL, HOODSIDE RH H-21	1
3.	320713	DECAL, HOODSIDE LH H-21	1
4.	402162	NAMEPLATE, 16/43	2
5.	314462	DECAL, CONSOLE RH LARGE FRAME	1
6.	314469	DECAL, CONSOLE LH LARGE FRAME	1
7.	314118	DECAL, ALL WHEEL STEER	2



26/27

43" LAWN TRACTOR MODEL D3560-110

DECALS (INSTRUCTIONAL)



27127

43" LAWN TRACTOR MODEL D3560-110

KEY#	PART#	DESCRIPTION	QTY.
1.	321765	DECAL, LF DASH, PTO/LIGHT SW EXP	1
2.	69524	DECAL, INSTRUCT CONSOLE TOP GER	1
3.	69525	DECAL, INSTRUCT CONSOLE TOP FR	1
4.		REFERENCE ONLY	1
5.	311394	DECAL, SHIFT REV/NEUTRAL	1
6.	314964	DECAL, SHIFTER POSITION P260-8	1
7.	307383	DECAL, INSTR. CONSOLE TOP ENGL	1
8.		REFERENCE ONLY	1
9.		REFERENCE ONLY	1
10.	68901	DECAL, BLADE HEIGHT ADJ. EUROPE	1
11.	68902	DECAL, WARNING, FRENCH/GERMAN	1
12.	301887	DECAL, LIFT DECK BLADE HEIGHT	1
13.	305770	DECAL, CAUTION TRIANGLE EUROPE	1
14.	310553	DECAL, DANGER ENGLISH	1
15.	68903	DECAL, BRAKE/CLUTCH ISO	1
16.	55835	PAD, FOAM HOOD TOP H-6/7	1
17.	55836	PAD, FOAM HOOD SIDE H-6/7	2

