

REPAIR PARTS MANUAL

42" - 14 H.P. LAWN TRACTOR

MODEL D3560-410

ONE YEAR LIMITED WARRANTY

For one (1) year from date of purchase by the first consumer for residential use (thirty (30) days for commercial use), NOMA Outdoor Products Incorporated warrants that it will replace free of charge, including labor, any original part of any NOMA Outdoor Products Incorporated product found to be defective by any authorized Service Dealer or the factory, except the battery which is warranted for ninety (90) days from date of purchase.

This warranty does not cover engine, transmission, transaxle or differential (these items are covered by the manufacturer's own warranty). This warranty does not cover parts that have failed due to normal wear or parts that have failed subject to misuse or abuse. Transportation of the unit or part to and from an authorized Service Dealer or factory is the responsibility of the owner.

For step by step explanation as to what procedure should be followed for this warranty:

1. If a part becomes defective, contact the store where the unit was purchased for the name and address of the authorized Service Dealer nearest to you.
2. If you do not locate an authorized Service Dealer, write Service Department, NOMA Outdoor Products Incorporated for the name and address of the authorized Service Dealer in your state or write the Service Department at 1-800-422-1500.

Send the defective product, along with proof of purchase to each authorized Service Dealer for repair or replacement of any defective part when covered by this warranty.

This is a limited express warranty. Implied warranties, including those of merchantability and fitness for a particular purpose are limited to one (1) year from date of purchase. Liability for incidental or consequential damages are excluded.

Some states do not allow limitations on how long an implied warranty lasts, so the above limitation may not apply to you. Some states do not allow the exclusion of incidental or consequential damages, so the above exclusion may not apply to you. This warranty gives you specific legal rights, which may vary in other states. See the rights which vary from state to state.

NOMA Outdoor Products Incorporated Call toll 8000 Jackson, TN 38301-8000

UNIT PARTS AND SERVICE

For more information on parts and service, contact the nearest authorized Service Dealer. A nationwide parts and service organization is available to assist you. When ordering parts, please specify the model number, the quantity desired, the part number and the name of the dealer. The part number, the quantity desired, the part number and the name of the dealer should be on a plate attached to the unit.

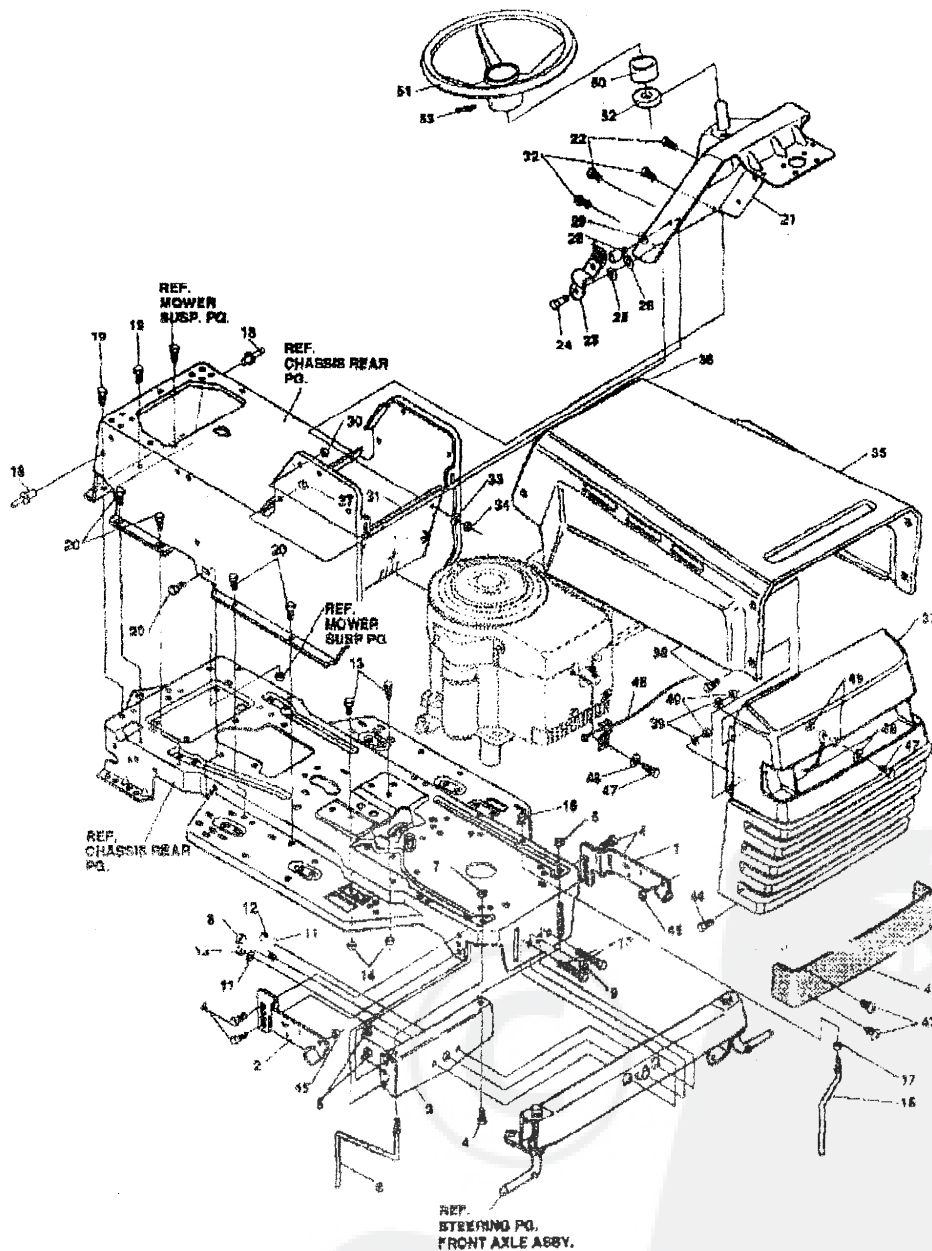


ATTENTION: READ THE OPERATOR'S MANUAL CAREFULLY. ALWAYS WEAR YOUR SAFETY BELT. ALWAYS WEAR YOUR SEATBELT. ALWAYS WEAR YOUR SAFETY BELT. ALWAYS WEAR YOUR SAFETY BELT. ALWAYS WEAR YOUR SAFETY BELT.

NOMA Outdoor Products Incorporated
Call toll 8000
Jackson, TN 38301-8000

42" LAWN TRACTOR MODEL D3560-410

CHASSIS & HOOD ASSEMBLY (FRONT)



NOTE: ALWAYS USE ORIGINAL EQUIPMENT PARTS. Use of service/replacement parts other than original equipment parts may void your warranty.

ALL UNNUMBERED ITEMS ARE INTERCHANGEABLE WITH OPPOSITE SIDE

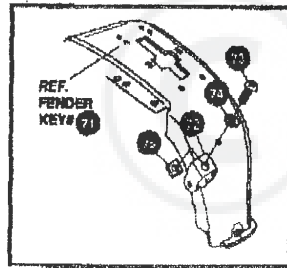
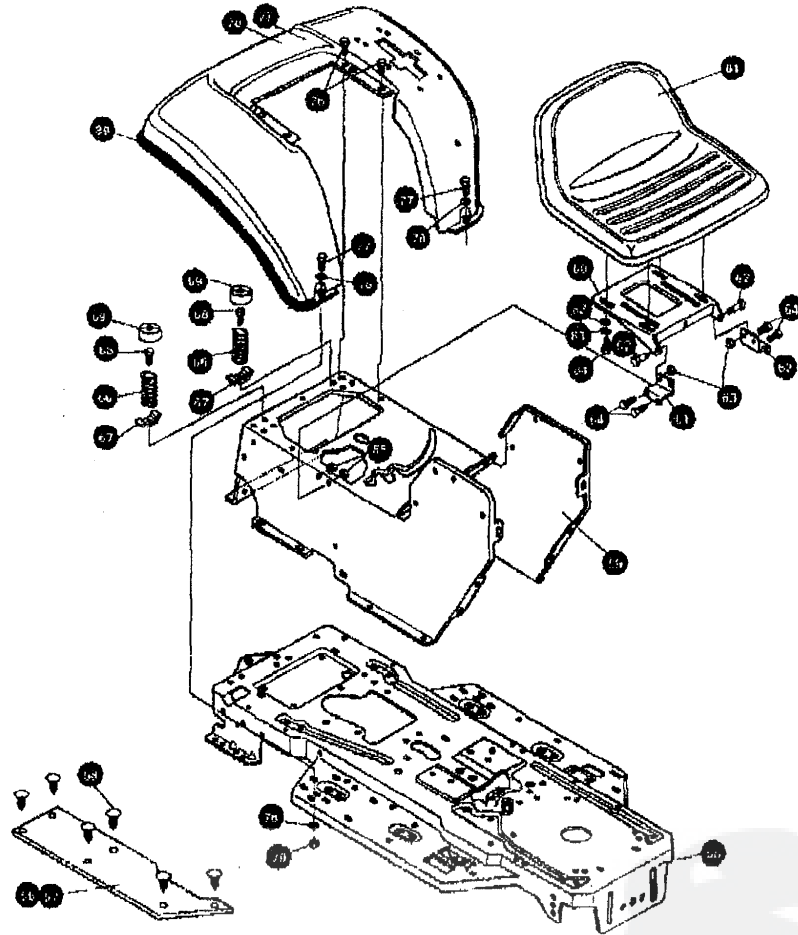
3256730

42" LAWN TRACTOR MODEL D3560-410

KEY#	PART#	DESCRIPTION	QTY.
1	313001-853	BRKT, GRILL LH	1
2	313002-853	BRKT, GRILL RH	1
3	313541-853	BRACKET, FRONT AXLE	1
4	56030	SCREW, 5/16-18X.75WDFLLK	6
5	55273	NUT, 5/16-18 HXWDFLLK	5
6	300440	GUIDE, BELT, RIDER	1
7	1498	NUT, 5/16-18 REGHEXCTRLK	1
8	308207	BOLT, .625X2.18 HSSH 1/2-13	1
9	309008	NUT, 1/2-13 HEXJAM CTRLK	1
10	122207	SCREW, 3/8-16X3.00 HHC	2
11	2483	WASHER, 3/8IDX1.25DX.07 BELLVIL	2
12	1499	NUT, 3/8-16 REGHXCTRLLK	2
13	120229	SCREW, 5/16-18X .88 HHC	2
14	1498	NUT, 5/16-18 REGHEXCTRLK	2
15	300635	GUIDE, BELT SHORT 16" WHEEL	1
16	124824	NUT, 5/16-18 HEXJAM	1
17	271190	NUT, 3/8-16 HEXKEPS	1
18	46763	RIVET, POP	3
19	35487	SCREW, 5/16-18X .50 WAHHTAP	2
20	995346	SCREW, 1/4-20X .50 WAHHTAP	10
21	309447-860	DASHBOARD	1
22	995346	SCREW, 1/4-20X .50 WAHHTAP	2
23	57159	LATCH, .94WDX.047 ASSY HOOD	2
24	8482	BOLT, .575X .156 HSSH 5/16-18	2
25	120394	WASHER, FLAT .408X .81X.065	2
26	120363	WASHER, FLAT .344X .69X.065	2
27	1498	NUT, 5/16-18 REGHEXCTRLK	2
28	53446	PIN, 5/16-18 HOOD LATCH	2
29	138598	WASHER, REGINTLK.320X.61X.03	2
30	45174	NUT, 5/16-18 HEXWDFLLK WHIZ	2
31	312306	BAFFLE CONSOLE SOUND EXPORT	1
32	300914	SCREW, 1/4-20X .88WAHHTAP	2
33	120392	WASHER, FLAT .281X .63X.065	2
34	1502	NUT, 1/4-20 REGHEXCTRLK	2
35	314537-860	HOOD, LF H-20 DYNA/PRO	1
36	56304	EDGING, WIDE BLK	27.5'
37	325401	GRILLE DYNA-PRO Q-17	1
38	274672	SCREW, 1/4-20X .63 WAHHC	4
39	120393	WASHER, FLAT .344X .69X.065	4
40	1502	NUT, 1/4-20 REGHEXCTRLK	4
41	302333	LENS, SMOKED W/TAB NO LOGO	1
43	57796	SCREW, #6 X .50 PLASTITE	4
44	36149	BOLT, .375X .500 HSSH 5/16-18	2
45	1498	NUT, 5/16-18 REGHEXCTRLK	2
46	311094	LANYARD, HOOD 11.75	1
47	48900	SCREW, 1/4-20X1.00 WAHHC	1
48	120392	WASHER, FLAT .281X .63X.065	1
49	1502	NUT, 1/4-20 REGHEXCTRLK	2
50	311465	COVER STEERING SHAFT	1
51	301251	STEERING WHEEL	1
52	301419	SPACER FOAM	1
53	466378	HOIL PIN -	1
54	329181	PARTS MANUAL	1
55	318363	OPERATOR'S MANUAL (ENGLISH)	1
56	324254	OPERATOR'S MANUAL (FRENCH)	1
57	327303	OPERATOR'S MANUAL (GERMAN)	1
58	318363	AIR ASSIST MANUAL ENGLISH (5709-0700)	1
59	324254	AIR ASSIST MANUAL FRENCH (5709-0700)	1
60	327303	AIR ASSIST MANUAL GERMAN (5709-0700)	1

42" LAWN TRACTOR MODEL D3560-410

CHASSIS & HOOD ASSEMBLY (REAR)



NOTE: ALWAYS USE ORIGINAL EQUIPMENT PARTS. Use of service/replacement parts other than original equipment parts may void your warranty.

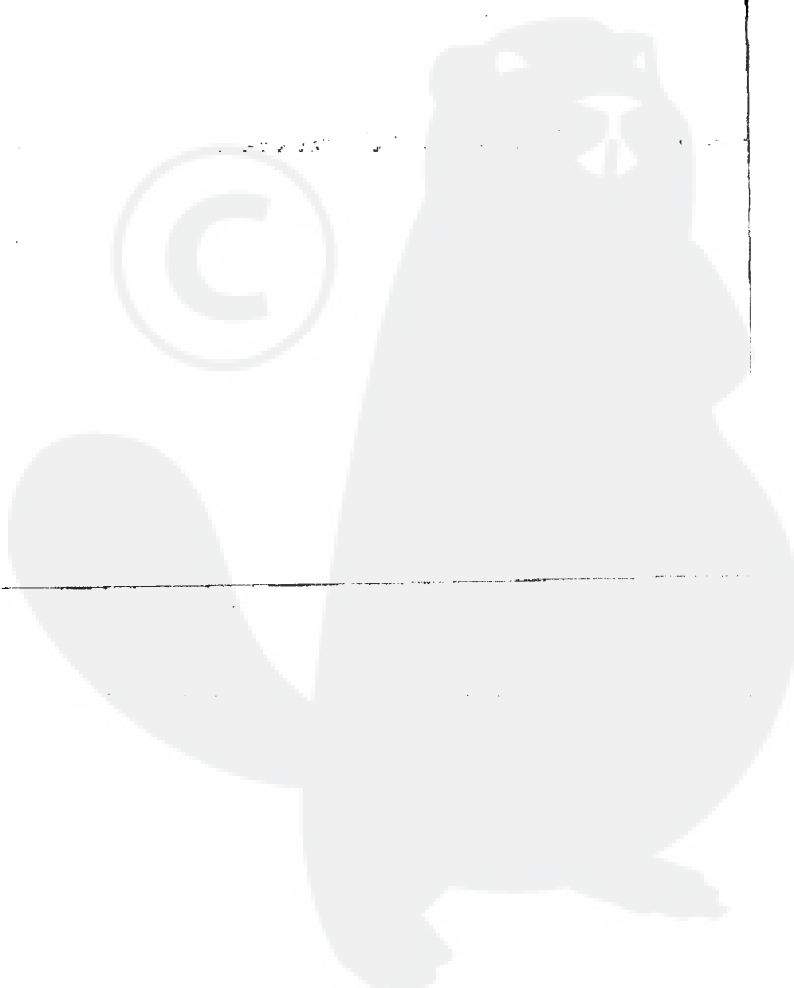
ALL UNNUMBERED ITEMS ARE INTERCHANGEABLE WITH OPPOSITE SIDE

325850A

42" LAWN TRACTOR MODEL D3560-410

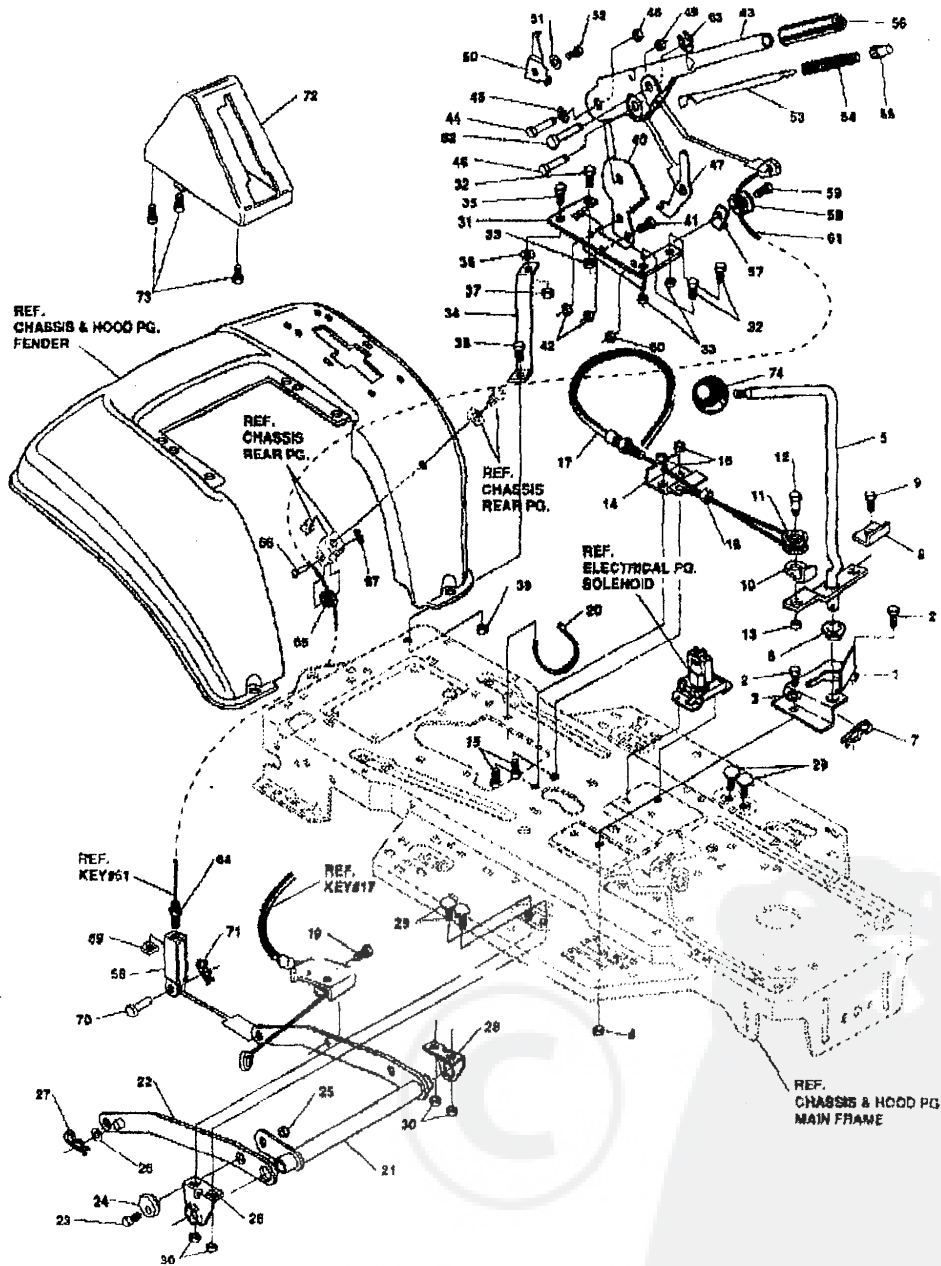
KEY#	PART#	DESCRIPTION	QTY.
55	326577-860	FRAME, LF MAIN 930/4360	1
56	310005	FOOTPAD LH	1
57	310006	FOOTPAD RH	1
58	308235	FASTENER RATCHET	12
59	308657-860	CONSOLE TOPSHIFT	1
60	58367-853	PLATE, SEAT	1
61	310660-853	BRACKET, F-5 SEAT SUPPORT	2
62	20507	BOLT, .437X .156 HSH 5/16-18	2
63	1498	NUT, 5/16-18 REGHEXCTRLK	2
64	48901	SCREW, 5/16-18X .63 HHC	4
65	1498	NUT, 5/16-18 REGHEXCTRLK	4
66	57153	SPRING, SEAT 2.63LG, 1.49OD	2
67	1341	CLAMP, SPRING 1.17"ID	2
68	44811	SCREW, 1/4-20X .75 HWATAP	2
69	56907	COVER, SEAT SPRING 1.51DX1.0LG	2
70	^	FENDER, ASM, F-5 SUSP	1
71	58334-860	FENDER F5 SUSP	1
72	9289	CLEVIS	1
73	439455	SCREW, 5/16-18X.68 PHNMA	1
74	301651	WASHER .344DX1.50ODX.09	1
75	120373	NUT, 5/16-18 SQ.	1
76	995348	SCREW, 1/4-20X .60 WAHTAP	4
77	122017	SCREW, 5/16-18X1.00 HHC	2
78	446363	WASHER, FLAT .375X .88X.082	4
79	1498	NUT, 5/16-18 REGHEXCTRLK	2
80	55023	TRIM, STRIP, BLACK	77.5"
81	57455	BEAT GENERIC	1
82	120393	WASHER FLAT, .344X.69X.065	4
83	120638	WASHER HVSP TLK .328X.60X.09	4
84	122007	SCREW 5/16-18X.75 HHC	4

* ORDER INDIVIDUAL PARTS.



42" LAWN TRACTOR MODEL D3560-410

MOWER SUSPENSION ASSEMBLY



NOTE: ALWAYS USE ORIGINAL EQUIPMENT PARTS. Use of service/replacement parts other than original equipment parts may void your warranty.

ALL UNNUMBERED ITEMS ARE INTERCHANGEABLE WITH OPPOSITE SIDE

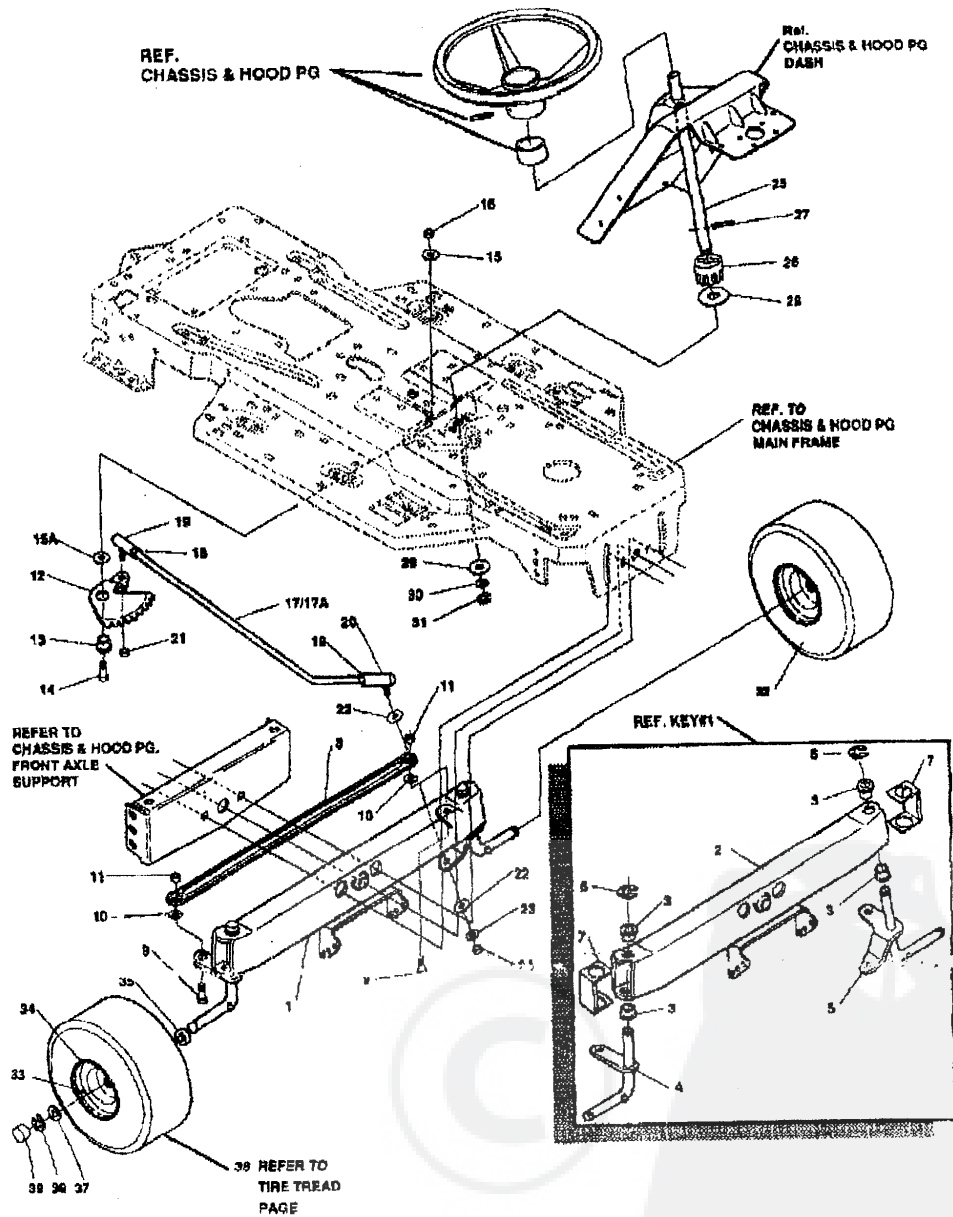
325815C

42" LAWN TRACTOR MODEL D3560-410

KEY#	PART#	DESCRIPTION	QTY.
1	320075-853	BRACKET,CLUT-ENGAGELEVER	1
2	180079	SCREW, 5/16-18X1.00 HHC	2
3	120083	WASHER, FLAT .344X .69X.085	2
4	1498	NUT, 5/16-18 REGHEXCTRLK	2
5	304781	ASSY,CLUTCH LEVER	1
6	50146	BEARING,FL. 509DX.6280D	1
7	8260	PIN, HAIR .091 DIA X1.68LG	1
8	318341	BRACKET,SWITCH ENGAGE	1
9	35488	SCREW, 5/16-18X .75 WAHHTAP	1
10	1288	BRKT,CABLE RETAINER	1
11	48306	PULLEY, 906X.305 PM	1
12	68336	BOLT, .375X .375 HHSB 1/4-20	1
13	1502	NUT, 1/4-20 REGHEXCTRLK	1
14	300890-853	BRKT, FRAME CABLE	1
15	180020	SCREW, 1/4-20X .75 HHC	2
16	1502	NUT, 1/4-20 REGHEXCTRLK	2
17	901503	ASSY,CABLE, BLADE ENGAGE	1
18	120613	NUT, 1/4-20 HJAM	1
19	35498	SCREW, 5/16-18X .75 WAHHTAP	5
20	57444	TIE, CABLE BLACK NYLON	1
21	300158-853	ASSY,REAR LIFT	1
22	300169-853	ASSY,LINK,RIGHT SIDE	1
23	180079	SCREW, 5/16-18X1.00 HHC	1
24	50247	ADJUSTING NUT	1
25	1498	NUT, 5/16-18 REGHEXCTRLK	1
26	417098	WASHER, FLAT .531X1.06X.095	2
27	8260	PIN, HAIR .081 DIA X1.86LG	2
28	58248-853	BRKT,REAR,HANG,SUSP.	2
29	128211	BOLT, 5/16-18X .83 CARR	4
30	1488	NUT, 5/16-18 REGHEXCTRLK	4
31	313926	BRACKET,HGT,ADJUST SUPPORT	1
32	180077	SCREW, 5/16-18X .75 HHC	3
33	1488	NUT, 5/16-18 REGHEXCTRLK	3
34	300338-860	BRACE, FENDER F-5 BWS	1
35	180079	SCREW, 5/16-18X1.00 HHC	1
36	45802	WASHER, FLAT .338X .87X.119	1
37	1498	NUT, 5/16-18 REGHEXCTRLK	1
38	180079	SCREW, 5/16-18X1.00 HHC	1
39	1488	NUT, 5/16-18 REGHEXCTRLK	1
40	301238	QUADRANT,HEIGHT ADJUST	1
41	180077	SCREW, 5/16-18X .75 HHC	2
42	1498	NUT, 5/16-18 REGHEXCTRLK	2
43	322292-853	HANDLE,LIFT SHORT BLK	1
44	300171	BOLT, 500X .270 HHSB 5/16-18	1
45	096418	WASHER, FLAT .506X .75X.024	1
46	44108	NUT, 5/16-18 HWDFLCTRLK	1
47	301238	PAWL, HEIGHT ADJUST	1
48	300171	BOLT, 500X .270 HHSB 5/16-18	1
49	44108	NUT, 5/16-18 HWDFLCTRLK	1
50	9435	POINTER Z-PL	1
51	13A479	WASHER 1.2X1.195X.41X .03	1
52	35287	SCREW, #8-32X .38 HHWAT	1
53	309027	ROD,ACTUATOR-SHORT	1
54	58326	SPRING, HEIGHT ADJUST	1
55	58325	KNCR, HGT ADJ PUSH BUTTON	1
56	58329	GRIP, 750 OD W/ HOLE	1
57	9149	BRKT, CABLE RETAIN	1
58	48306	PULLEY, 906X.305 NYLON	1
59	68336	BOLT, .375X .375 HHSB 1/4-20	1
60	1502	NUT, 1/4-20 REGHEXCTRLK	1
61	314177	CABLE, LIFT 23.50 F-5 20XB-5	1
62	300310	PIN,CLEVIS .310DIA+.475LG	1
63	300311	RING, RET E. .31X.24	1
64	120375	NUT, 1/4-20 REGHEX	1
65	48306	PULLCY, 906X.305 NYLON	1
66	300317	PIN, CLEVIS .38 DIA X1.00 LG	1
67	8260	PIN, HAIR .091 DIA X1.68LG	1
68	9405	CLEVIS, LIFT CABLE	1
69	120372	NUT, 1/4-20 REG50	1
70	38522	PIN,CLEVIS .312 X .812	1
71	121222	PIN, COTTER .69D. 086X.75LG	1
72	300335	LIFT COVER .39" F5	1
73	300340	SCREW, #10 X .75 H4PLAST	3

42" LAWN TRACTOR MODEL D3560-410

STEERING ASSEMBLY



NOTE: ALWAYS USE ORIGINAL EQUIPMENT PARTS. Use of service/replacement parts other than original equipment parts may void your warranty.

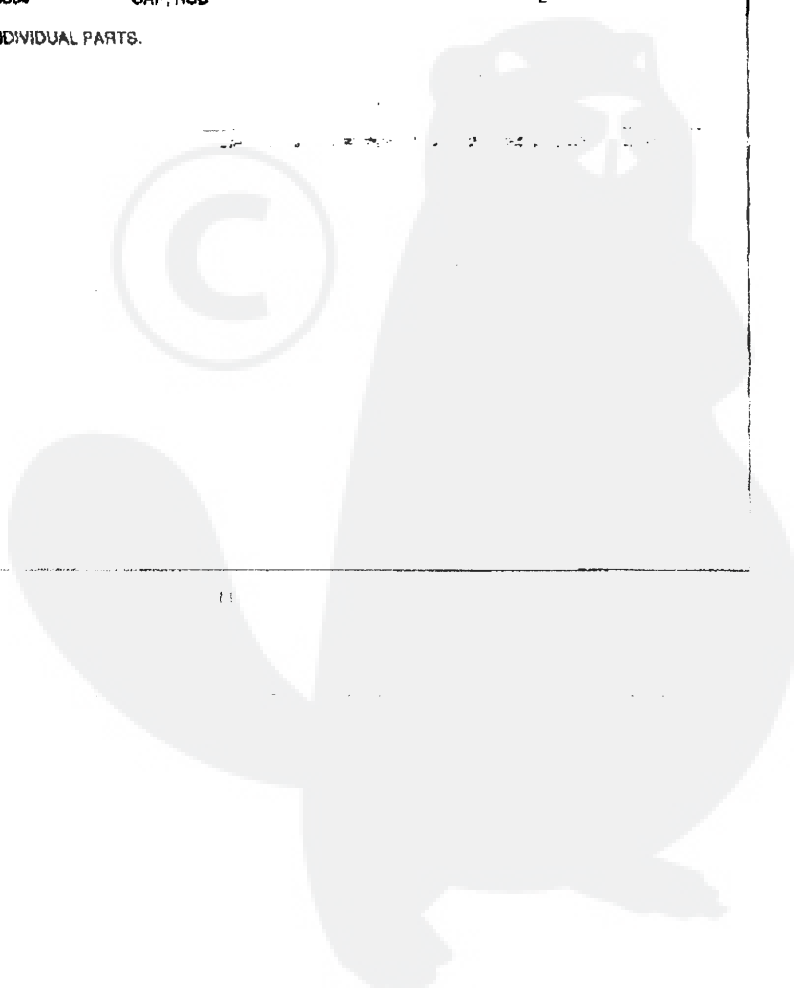
ALL UNNUMBERED ITEMS ARE INTERCHANGEABLE WITH OPPOSITE SIDE

317124G

42" LAWN TRACTOR MODEL D3560-410

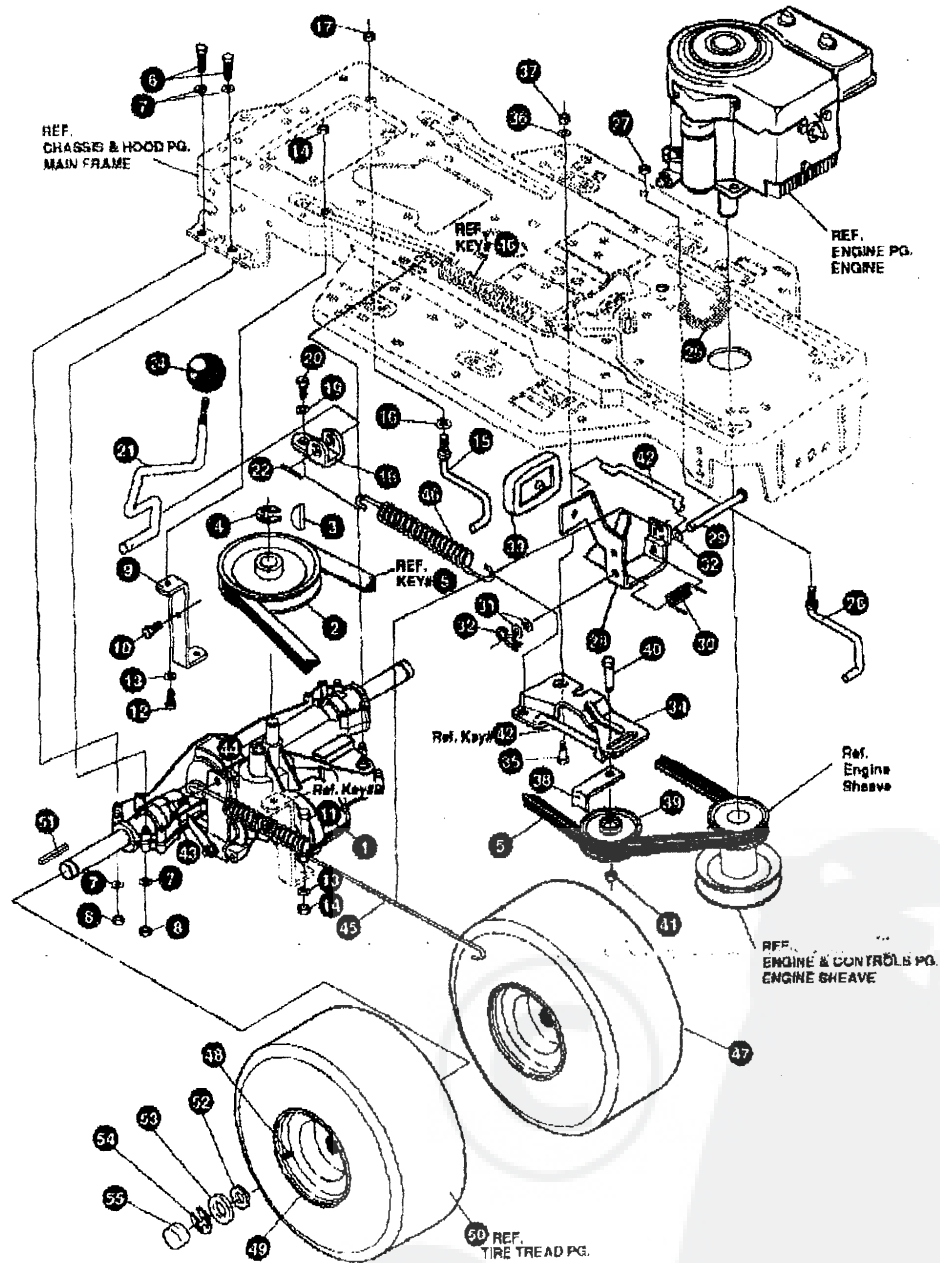
KEY#	PART#	DESCRIPTION	QTY.
1	A	ASSY, AXLE FRONT	1
2	300272-853	AXLE, FRONT	1
3	52407	SPINDLE BEARING	4
4	9180	SPINDLE RH LONG	1
5	314088	SPINDLE LH LONG	1
6	36625	RING, RETEX .57X.05TRU5133-75	2
7	59373-853	AXLE COVER	2
8	304590	TIE ROD ASSY 19.81LG	1
9	180128	SCREW, 3/8-16X1.75 HHC	2
10	120382	WASHER, REGSPTLK.393X.68X.10	2
11	1499	NUT, 3/8-16 REGHXGTRLK	2
12	58289	SECTOR, STEERING LF	1
13	52406	BRNG, FL ECC.510DX .998ODX .56	1
14	180177	SCREW, 1/2-13X1.50 HHC	1
15	22265	WASHER, FLAT .515X1.38X.119	1
15A	45998	WASHER, FLAT .520X1.25X.209	1
16	1500	NUT, 1/2-13 REGHCTRLK	1
17	300146	DRAGLINK ASSY	1
17A	58291	STEERING LINK	1
18	124925	NUT, 3/8-24 REGHEXJAM	2
19	57158	BALL JOINT 3/8 THD SHORT STUD	1
20	21275	BALL JOINT 3/8 THD LONG STUD	1
21	46692	NUT, 3/8-24 WDFHLK	1
22	120396	WASHER, FLAT .591X1.06X.095	2
23	120382	WASHER, REGSPTLK.393X.68X.10	1
24	120368	NUT, 3/8-24 REGHEX	1
25	58243	SHAFT, STEERING LF	1
26	58244	PINION, STEERING LF	1
27	58274	PIN, DOWEL .2500 OD+1.75	1
28	301410	BRNG, FL .752DX1.091ODX .24	1
29	301399	WASHER, FORMED1.135X1.53X.12	1
30	21682	WASHER, FLAT .785X1.25X.042	1
31	36625	RING, RETEX .57X.05TRU5133-75	1
32	A	TIRE & RIM, PU 15X8.0X8	2
33	24187	VALVE STEM	1
34	39829	WHEEL WDRG.	1
35	39979	BEARING, FL1.590D+.759ID	1
36	301140	REFER TO TIRE TREAD PAGE	1
37	642	WASHER, FLAT .755X1.31X.075	4
38	36625	RING, RETEX .57X.05TRU5133-75	2
39	40394	CAP, HUB	2

* ORDER INDIVIDUAL PARTS.



42" LAWN TRACTOR MODEL D3560-410

MOTION DRIVE ASSEMBLY



NOTE: ALWAYS USE ORIGINAL EQUIPMENT PARTS.
Use of service/replacement parts other than original equipment parts may void your warranty.

**ALL UNNUMBERED
ITEMS ARE INTERCHANGEABLE
WITH OPPOSITE SIDE**

3265610

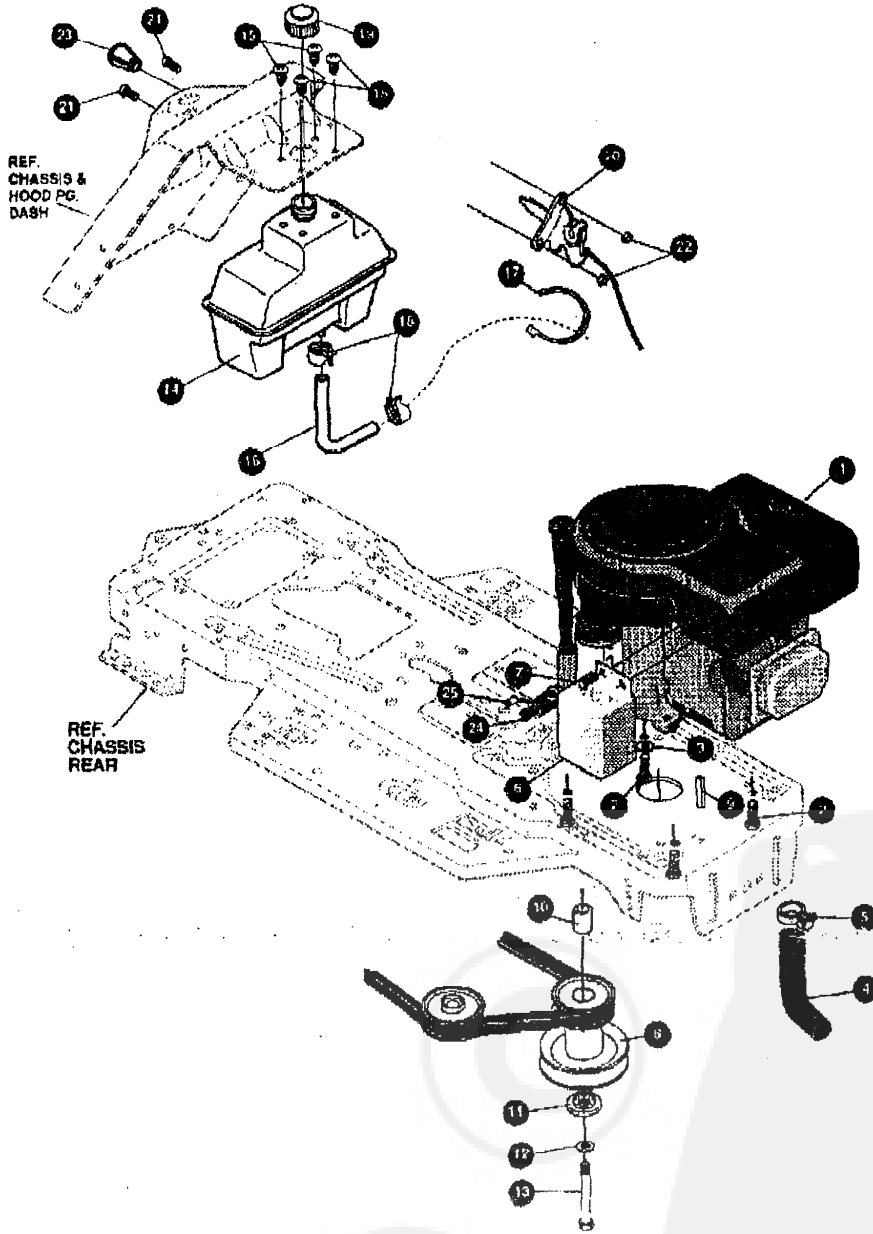
42" LAWN TRACTOR MODEL D3560-410

KEY#	PART#	DESCRIPTION	QTY.
1	^	TRANSAXLE PEERLESS 940-5 SPD	1
2	302745	PULLEY, V 4L 8.60 OD	1
3	3021	KEY, WDRF 608 .750X.187X.312	1
4	22053	RING, RETEX .59X.04TRU5100-92	1
5	314120	BELT	1
6	180089	SCREW, 5/16-18X2.25 HHC	4
7	120393	WASHER, FLAT .344X.68X.065	8
8	1498	NUT, 5/16-18 REGHEXCTRLK	4
9	325202-853	STABILIZER BRKT	1
10	50947	SCREW, 3/8-16X1.25 WAHHTAP	1
11	122065	SCREW, 5/16X .200 HHC	1
12	122017	SCREW, 5/16-18X1.00 HHC	1
13	120393	WASHER, FLAT .344X.68X.065	2
14	1498	NUT, 5/16-18 REGHEXCTRLK	2
15	57259	GUIDE, BELT 5/16-18THD	1
16	138538	WASHER, REGINTLK.320X.81X.03	1
17	1498	NUT, 5/16-18 REGHEXCTRLK	1
18	9405	BRKT,SHIFT	1
19	57157	WASHER,.750X.250 SP-TRANSAXLE	1
20	56255	SCREW, 1/4-28X .75 NYLHHC	1
21	325127	LEVER, SHIFT	1
22	137185	PIN, COTTER .125 DIA X1.00	1
24	65514	KNOB,SHIFT ROUND 1/2-13	1
25	321514	SPRING BIAS DRAGLINK	1
26	304016	GUIDE,BELT	1
27	1498	NUT, 5/16-18 REGHEXCTRLK	1
28	325942	PEDAL ASSY,BRAKE/CLUTCH	1
29	319675	PIN CLEVIS	1
30	57847	SPRING, BRAKE PEDAL	1
31	2068	WASHER, FLAT .504X.75X.059	3
32	55180	PIN,HAIR	1
33	46160	PAD, CLUTCH BRAKE	1
34	320381-853	ARM, IDLER TRACTION DR.	1
35	300793	BOLT .625X .135 HHSH 5/16-18	1
36	45602	WASHER, FLAT .333X .87X.119	1
37	1498	NUT, 5/16-18 REGHEXCTRLK	1
38	39659	RETAINER, STRAP BELT	1
39	35374	PULLEY, IDLER	1
40	45892	BOLT, 3/8-16X1.50 CARR	1
41	1499	NUT, 3/8-16 REGHXCTRLK	1
42	87204	ROD, CLUTCH	1
43	326131	BOLT, .486X.311HHSH 5/16-18	1
44	1498	NUT, 5/16-18 REGHEXCTRLK	1
45	325910	BRAKE SPRING	1
46	56359	SPRING, CLUTCH .119X.750X9.75	1
47	*	TIRE & RIM, PU 20X8.00 - 8 GENERIC	2
48	24167	VALVE STEM	1
49	57103	WHEEL 20" DIA WHITE	1
50		REFER TO TIRE TREAD PAGE	
51	52928	KEY, SQUARE .18750X2.25	2
52	642	WASHER, FLAT .755X1.31X.075	4
53	42815	WASHER, FLAT .755X1.53X.07	2
54	36625	RING, RETEX .57X.05TRU5139-75	2
55	40394	CAP, 1.500ID X 7.9LG HUB	2

^ CONTACT YOUR NEAREST TRANSAXLE DEALER FOR PARTS AND SERVICE.
 * ORDER INDIVIDUAL PARTS.

42" LAWN TRACTOR MODEL D3560-410

ENGINE & CONTROL ASSEMBLY



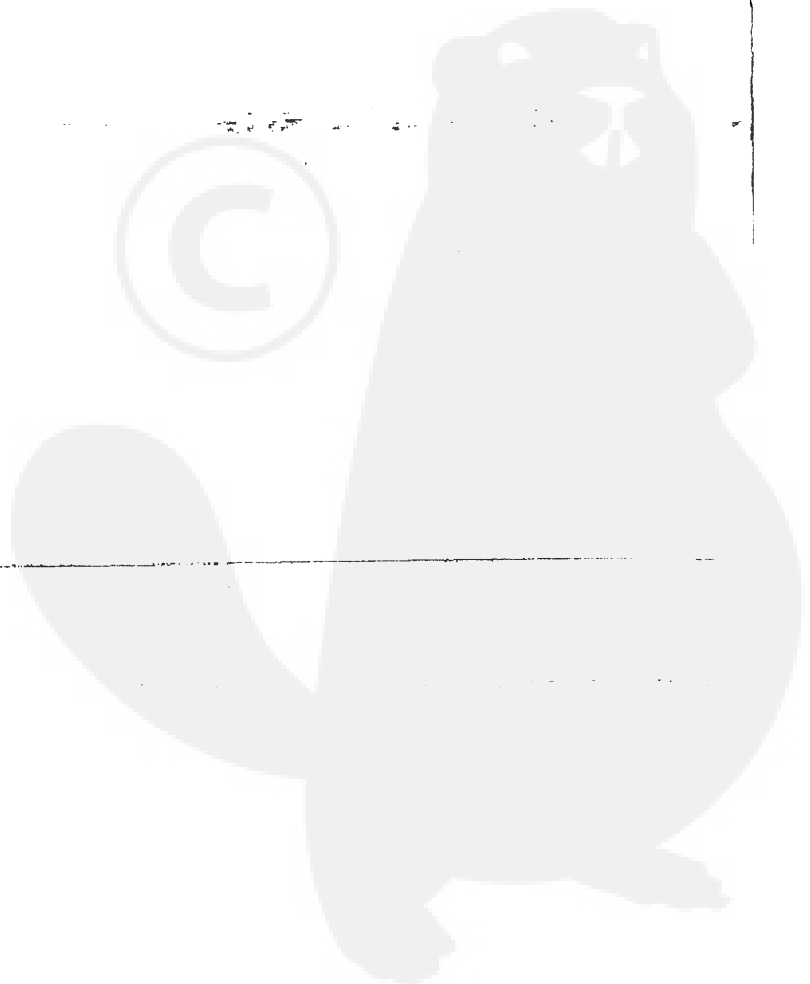
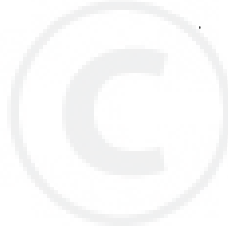
NOTE: ALWAYS USE ORIGINAL EQUIPMENT PARTS. Use of service/replacement parts other than original equipment parts may void your warranty.

ALL UNNUMBERED ITEMS ARE INTERCHANGEABLE WITH OPPOSITE SIDE

329129A

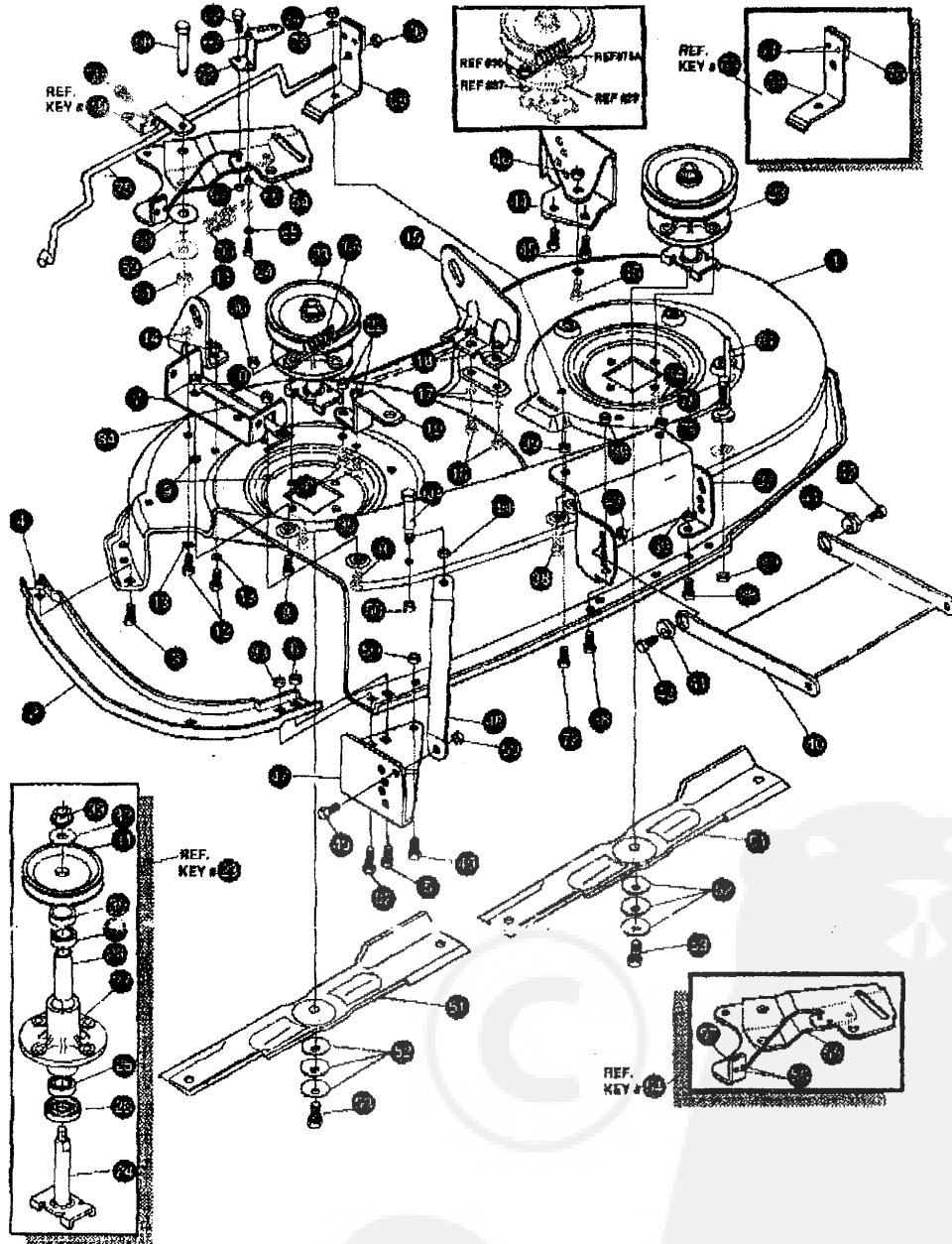
42" LAWN TRACTOR MODEL D3560-410

KEY#	PART#	DESCRIPTION	QTY.
1	ENGINE	14HP BS OHV I/C (SEE ENGINE MANUAL)	1
2	50847	SCREW, 3/8-16X1.25 WAHHTAP	4
3	138489	WASHER, EXLK 384X.69X.04	1
4	327068	EXHAUST TUBE 140HV	1
5	328024	CLAMP EXHAUST	1
6	327785-853	SHIELD, HEAT FOR 14 OHV	1
7	995346	SCREW, 1/4-20X.50 WAHHTAP	3
8	326565	PULLEY ASSY.43"/GEAR	1
9	67791	KEY SQUARE .250X5.00	1
10	304246	SPACER, 1.01X1.484 ENG PULLEY	1
11	56431	WASHER, 980 IDX1.39Q.D.X.437 PILOT	1
12	120393	WASHER, REGSPYLK .459X.78X.12	1
13	428644	SCREW, 7/16-20X5.00 MHC OR5	1
14	314989	TANK, FUEL 1 GAL	1
15	49050	SCREW, 1/4-10X .75PHNTAP	4
16	57878	GAS LINE 25ID BULK LENGTH	13'
17	57444	WIRE TIE	1
18	47345	CLAMP, FUEL LINE	2
19	48704	GAS CAP	1
20	321273	CONTROL, THROTTLE	1
21	320553	SCREW, 10-24X .50 SLHMA	2
22	271166	NUT, #10-24 HEXKEPS	2
23	50607	KNOB,ROUND THROTTLE	1
24	325547	OIL DRAIN ITW	1
25	327422	CAP,OIL DRAIN	1



42" LAWN TRACTOR MODEL D3560-410

PRE-PAINTED DECK ASSEMBLY



NOTE: ALWAYS USE ORIGINAL EQUIPMENT PARTS. Use of service/replacement parts other than original equipment parts may void your warranty.

ALL UNNUMBERED ITEMS ARE INTERCHANGEABLE WITH OPPOSITE SIDE

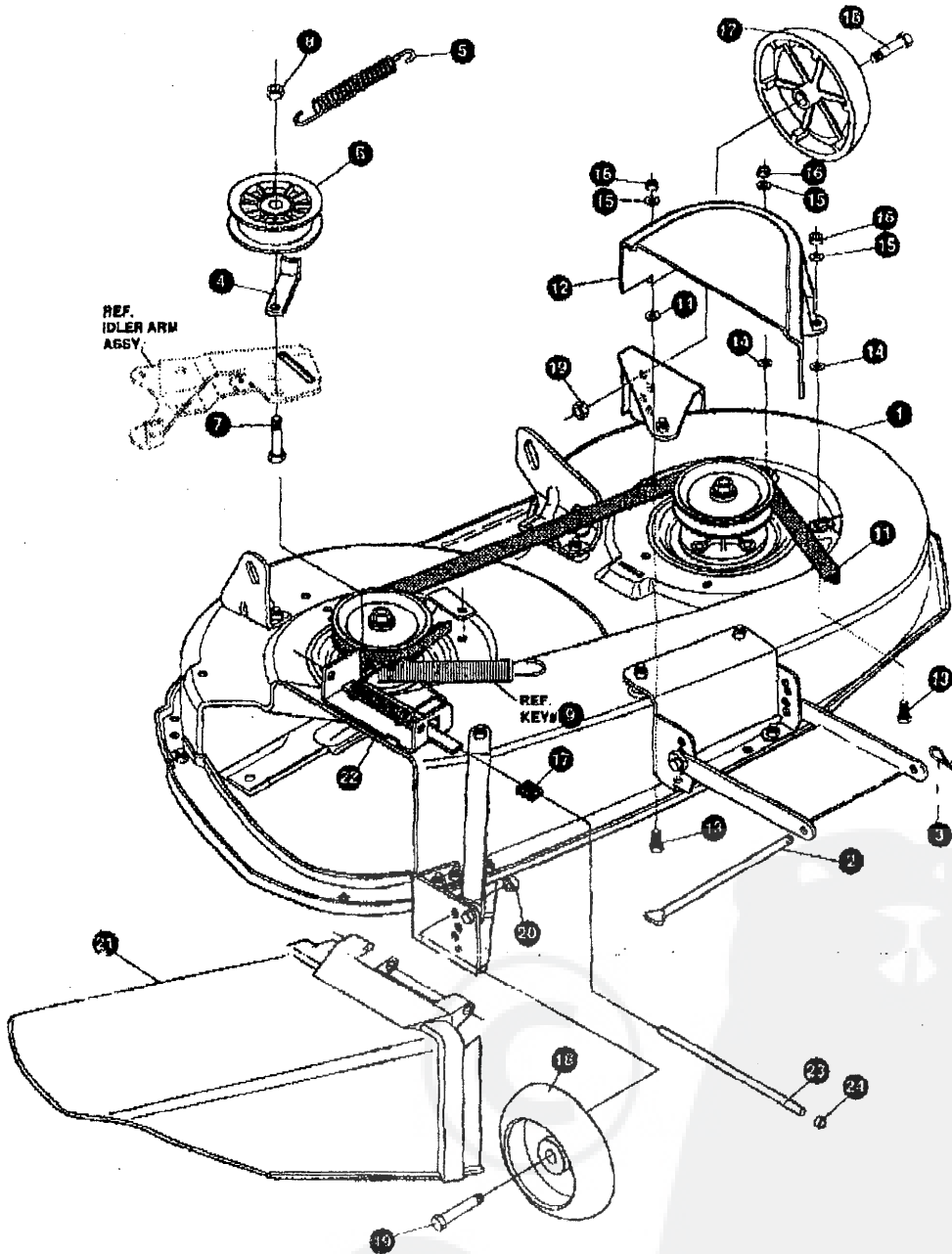
329106A

42" LAWN TRACTOR MODEL D3560-410

KEY#	PART#	DESCRIPTION	QTY.
1	325116	MOWER DECKS, RIDER 42"	1
2	326480-853	TDE GUARD	1
3	180075	SCREW, 5/16-18X.63 HHC	1
4	1498	NUT, 5/16-18 REGHEXCTRLK	1
5	120383	SCREW, 5/16-18X.75 HHC	1
6	1498	NUT, 5/16-18 REGHEXCTRLK	1
7	317047	BRACKET CHUTE MOUNT	1
8	180075	SCREW, 5/16-18X.63 HHC	2
9	120383	WASHER, FLAT, 344X.69X.065	2
10	1498	NUT, 5/16-18 REGHEXCTRLK	2
11	313829	LIFT BRACKET, REAR RH	1
12	180077	SCREW, 5/16-18X.75 HHC	2
13	120393	WASHER, FLAT, 344X.69X.065	2
14	1498	NUT, 5/16-18 REGHEXCTRLK	2
15	310087	BRACKET, DECK LIFT REAR LH	1
16	180077	SCREW, 5/16-18X.75 HHC GR5	2
17	120383	WASHER, FLAT, 344X.69X.065	2
18	1498	NUT, 5/16-18 REGHEXCTRLK	2
19	328593-853	BRACE IDLER	1
19A	308231	SCREW, 1/4-20X1.25 HWHTAP	1
20	180077	SCREW, 5/16-18X.75 HHC	2
22	44108	NUT, 5/16-18 HWDFLCTRLK	2
23	56424-853	QUILL ASSY, 3839/40/43	2
24	56425	SHAFT/SADDLE 30"	1
25	49562	BRNG, BALL	1
26	50618	DUST SHIELD	1
27	55547	QUILL CASTING (1048)	1
28	49562	BRNG, BALL	1
29	50618	SPACER, 3.75 PLGX.689DX.88CD	1
30	51448	SPACER, 4.58 PLGX.683DX.872ID	1
31	315886	PULLEY 2638" QUILL YBL	1
32	89385	SPECIAL WASHER	1
33	1282	NUT, 7/16-20 WDFLLK	1
34	50634	SCREW, 5/16-16X.66 HWHTAP	7
35	300345	SCREW, 5/16-18X1.38 WATAP	1
36	1498	NUT, 5/16-18 REGHEXCTRLK	1
37	317040	BRACKET FRNT.	4
38	180075	SCREW, 5/16-18X.63 HHC	4
39	1498	NUT, 5/16-18 REGHEXCTRLK	4
40	56906-853	LINK BRACKET DECK FR	1
41	58247	ADJUSTING NUT	2
42	125017	SCREW, 5/16-18X1.00 HHC	2
43	1498	NUT, 5/16-18 REGHEXCTRLK	2
44	317041	BRACKET, GAGE WHEEL L.H.	1
45	180075	SCREW, 5/16-16X.63 HHC	3
46	1498	NUT, 5/16-18 REGHEXCTRLK	3
47	322484-853	BRACKET, GAGE WHEEL R.H. FRNT	1
48	314282-853	BRACKET, STABILIZER	1
48A	811104	SCREW, 5/16-18 X 5.00 HHC GR.5	1
48B	271184	NUT, 5/16-18 HHC GR5	1
49	180075	SCREW, 5/16-18X.63 HHC	2
50	1498	NUT, 5/16-18 REGHEXCTRLK	2
51	316608	BLADE, HIGH LIFT 21.70	2
52	2483	WASHER, 39IDX1.25DX.07 BELLVIL	6
53	39573	SCREW, 3/8-24X1.00 NYLHHC	2
54	320576-853	IDLER ARM ASSY	1
55	322116-853	IDLER ARM	1
56	41801	RIVET	2
57	308673	BRACE PAD	1
58	304420	SHOULDER BOLT	1
59	506416	WASHER, FLAT, 391X1.00X.125	1
60	59	WASHER, FLAT, 391X1.00X.209	1
61	42	NUT, 3/8-16 HWDFL WHIZ-LOCK	1
62	50	BRACKET, EXTENSION IDLER	1
63	180075	SCREW, 5/16-18X.63 HHC GR.5	1
64	180083	SCREW, 5/16-18X1.50 HHC GR.5	1
65	448563	WASHER, FLAT	1
66	271184	NUT, 5/16-18 HHC GR5	2
67	1498	NUT	1
68	321926	BLADE BRAKE ASSY	1
69	304119-853	BRAKE ARM	1
70	306975	BRAKE PAD	1
71	135624	RIVET	2
72	180075	SCREW, 5/16-18X.63	1
73	120383	WASHER, FLAT, 344X.69X.065	1
74	1498	NUT, 5/16-18 REGHEXCTRLK	1
75	315304	FRONT BRAKE ASSEMBLY	1
76	1502	NUT, 3/4-20 HWDFLCTRLK	1
76A	35410	SPRING	1
78	180079	SCREW, 5/16-18X1.00 HHC GR5	1
79	120393	WASHER, FLAT, 344X.69X.065	1
80	1498	NUT, 5/16-18 REGHEXCTRLK	1
81	325965	BELT, 1/2" X 43" DECK UPSTOP	1
82	12585	SCREW, 5/16-18X1.50 HHC FT GR5	1
83	1498	NUT, 5/16-18 REGHEXCTRLK	2
84	322320-853	LEVER AS...	1

42" LAWN TRACTOR MODEL D3560-410

FINAL DECK ASSEMBLY



NOTE: ALWAYS USE ORIGINAL EQUIPMENT PARTS.
Use of service/replacement parts other than original equipment parts may void your warranty.

**ALL UNNUMBERED
ITEMS ARE INTERCHANGEABLE
WITH OPPOSITE SIDE**

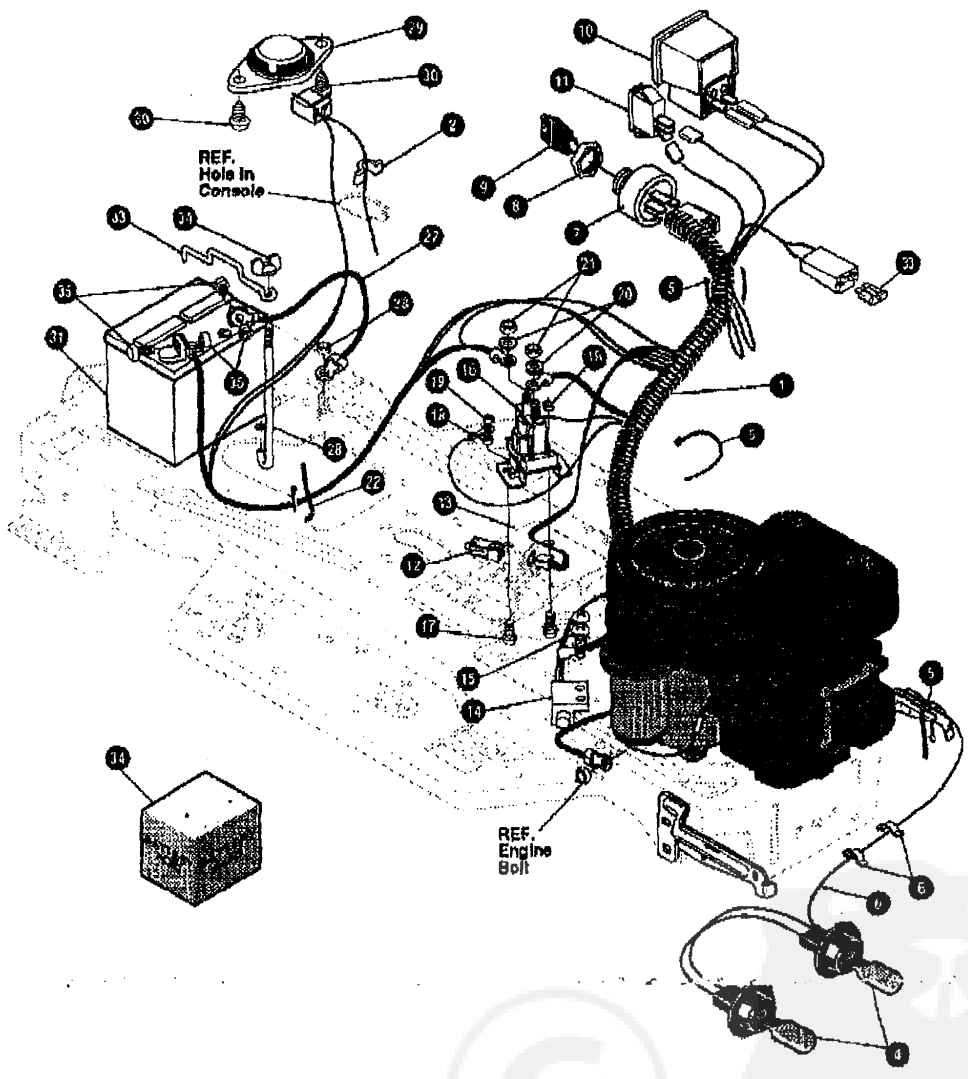
329107A

42" LAWN TRACTOR MODEL D3560-410

KEY#	PART#	DESCRIPTION	QTY.
1	A	DECK, 42" MOWER 2-WH FOR AIR ASSIST DOM	1
2	58306	ROD, DECK HITCH	1
3	8260	PIN, HAIR .091 DIA X 1.66 LG	1
4	1346	GUIDE, BELT, IDLER	1
5	314107	SPRING, TENSION 5.00 LG + 17 LB/MIN	1
6	310326	PULLEY, IDLER BPF 4.00 WIDE FL	1
7	126418	BOLT, 3/8-16 X 1.75 CARR	1
8	44274	NUT, 3/8-16 HX WDFLLK	1
11	318372	BELT, V 5L 85.00 KEVLAR	1
12	324814	GUARD, BELT LH PLASTIC	1
13	57101	CARRIAGE BOLT	3
14	309436	PUSHNUT 5/16 NON-SERVICEABLE	3
15	120393	WASHER, FLAT .344 X .68 X .065	3
16	1498	NUT, 5/16-18 REG HEX CTRLK	3
17	42348	GRIP LEVER	1
18	302511	GAUGE WHEELS	2
19	23763	BOLT, 500 X 1.390 HSH	2
20	1499	NUT, 3/8-16 REG HEX CTRLK	2
21	304422	CHUTE DEFLECTOR	1
22	314875	TORSION SPRING	1
23	304424	ROD PIVOT DECK	1
24	3585	PUSH NUT	1

42" LAWN TRACTOR MODEL D3560-410

ELECTRICAL ASSEMBLY



NOTE: ALWAYS USE ORIGINAL EQUIPMENT PARTS.
Use of service/replacement parts other than original equipment parts may void your warranty.

**ALL UNNUMBERED
ITEMS ARE INTERCHANGEABLE
WITH OPPOSITE SIDE**

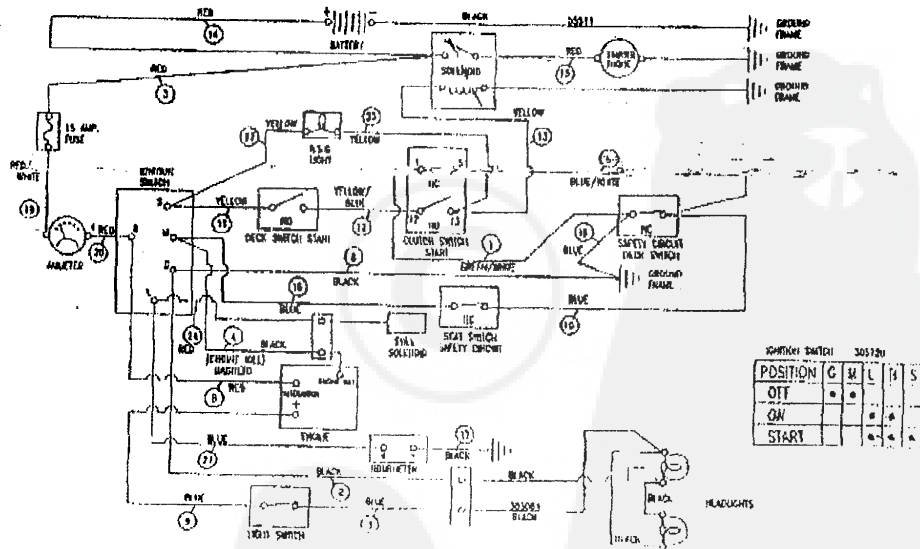
328541A

42" LAWN TRACTOR MODEL D3560-410

KEY#	PART#	DESCRIPTION	QTY.
1.	328253	HARNES 14 BS OHVLV, H14,LF	1
2.	41482	PRESS CLIP, 1.38DLG, 255ID	1
3.	909094	ASSY, LIGHT WIRE-1/4 TURN	1
4.	52572	BULB, HEADLAMP	2
5.	57444	TIE, CABLE BLACK NYLON 5.62L	3
6.	41482	PRESS CLIP, 1.38DLG, 255ID	2
7.	327355	SWITCH-IGN.(AFTER FIRE) 3 POSN	1
8.	327352	NUT, 5/8-32 HXHD IGN SWIT	1
9.	327349	KEY, IGNITION SWITCH GENERIC	1
10.	300133	AMMETER	1
11.	300334	LIGHT SWITCH ON/OFF	1
12.	320082	SWITCH DOUBLE POLE	1
13.	57444	TIE CABLE	1
14.	57478	SWITCH, SCR MNT	1
16.	57220	SCREW, #12X.50 PHPNTAP	2
18.	59716	SOLENOID	1
17.	187745	SCREW, 1/4-20X .75 HXSEMMA	2
18.	1502	NUT, 1/4-20 REGHEXCTRLK	2
19.	271172	NUT, 1/4-20 REGHEXKEPS	1
20.	138485	WASHER, EXLK .320X.61X.03	2
21.	120368	NUT, 5/16-24 REGHEX	2
22.	57444	TIE, CABLE BLACK NYLON 6.62	1
23.	55511	WIRE, GROUND, 12.5'	1
24.	271184	NUT, 5/16-18 HEXKEPS	1
25.	57547	SWITCH, SEAT	1
26.	160505	SCREW, 1/4-20X .38PHPNHMA	2
27.	302257	BATTERY, 12V, GENERIC	1
28.	57551	ROD, BATTERY	1
29.	57552	ROD, BATTERY, TOP	1
30.	325232	NUT, WING 1/4-20 SMALL PLASTIC	1
31.	120854	SCREW, 1/4-20X .63 HMC	2
32.	271172	NUT, 1/4-20 REGHEXKEPS	2
33.	302031	FUSE, 15 amp SPADE TYPE	1
34.		^ BATTERY ACID, 80 OZ.	

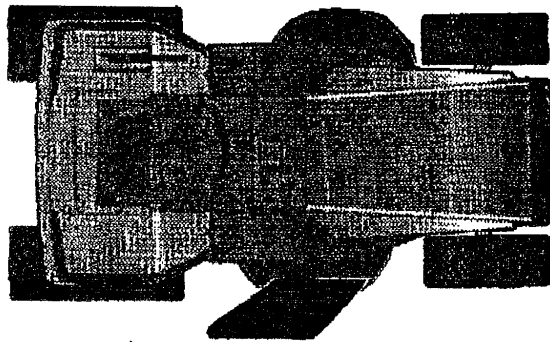
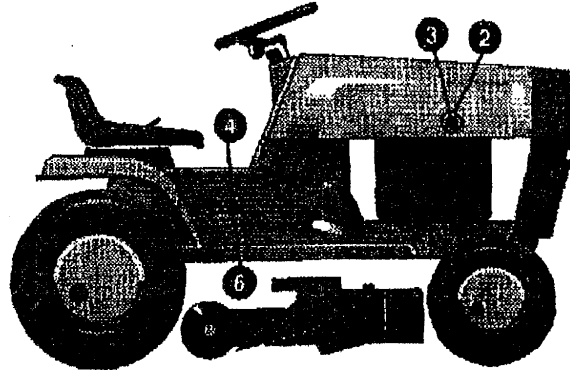
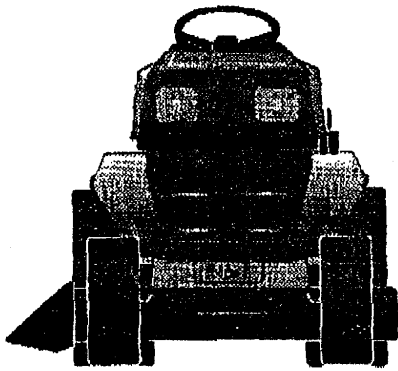
** SPADE TYPE FUSE INCLUDED WITH THE WIRE HARNESS
 ^ CAN BE PURCHASED LOCALLY.

WIRING SCHEMATIC

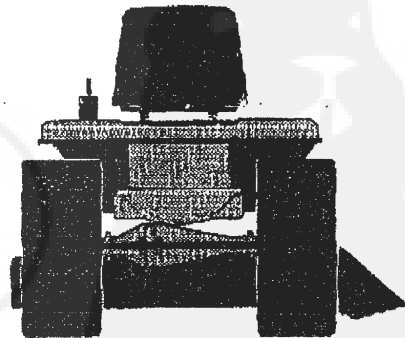
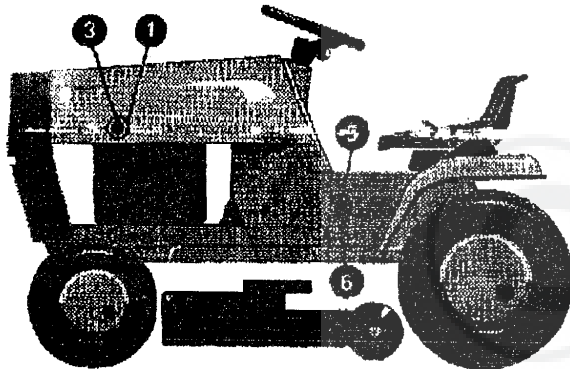
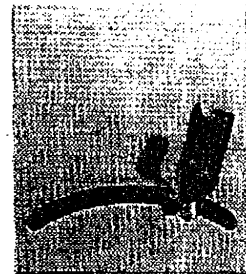


42" LAWN TRACTOR MODEL D3560-410

DECALS (DECORATIVE)



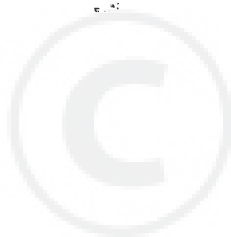
CONSOLE DETAIL



329112A

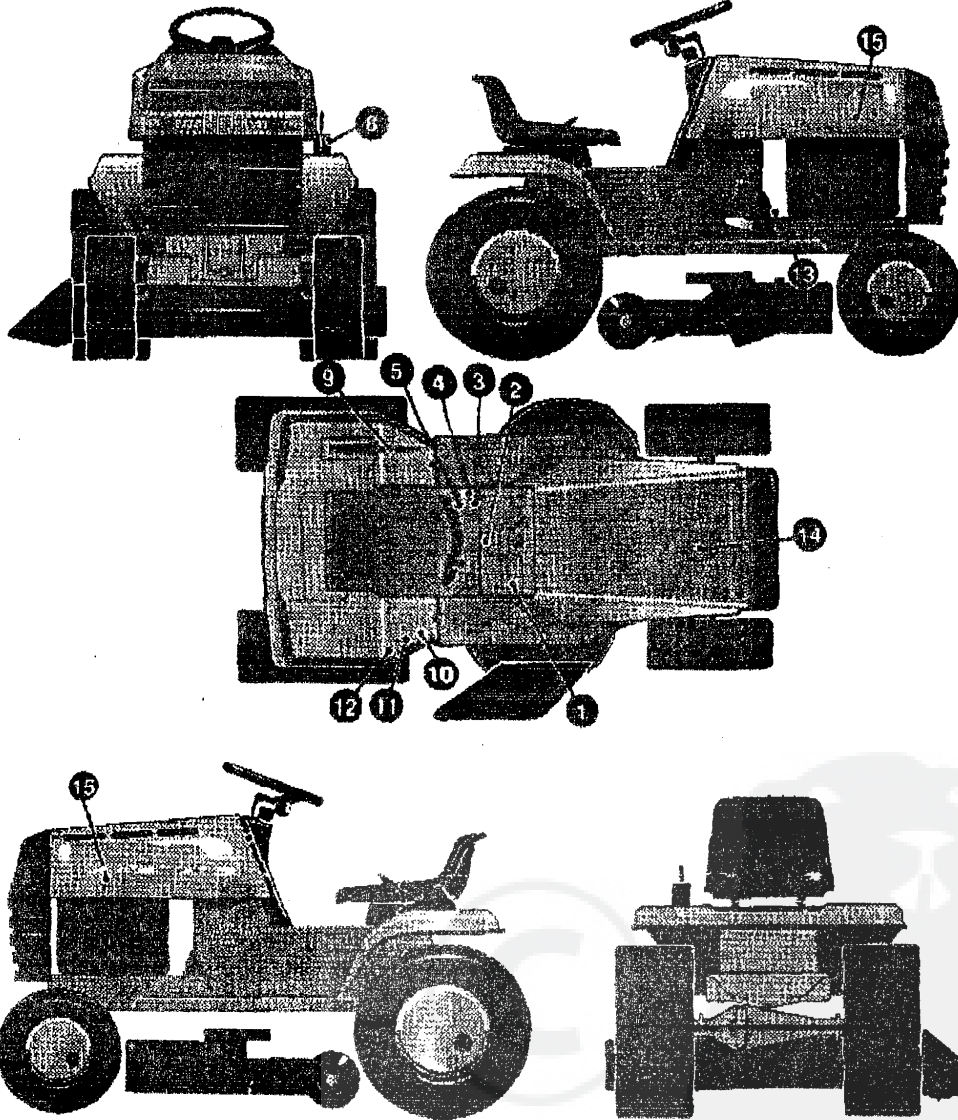
42" LAWN TRACTOR MODEL D3560-410

KEY#	PART#	DESCRIPTION	QTY.
1.	320713	DECAL, HOODSIDE LH H-21	1
2.	320714	DECAL, HOODSIDE RH H-21	1
3.	402142	NAMEPLATE, TURFMASTER WHT/BLK	2
4.	314462	DECAL, CONSOLE RH LARGE FRAME	1
5.	314463	DECAL, CONSOLE LH LF	1
6.	321759	NAMEPLATE, 14/42 WHT/BLK	2



42" LAWN TRACTOR MODEL D3560-410

DECALS (INSTRUCTIONAL)



329111A

42" LAWN TRACTOR MODEL D3560-410

KEY#	PART#	DESCRIPTION	QTY.
1.	324534	DECAL, LF DASH LS W/ "XP"	1
2.	307983	DECAL INSTR CONSOLE ENGL	1
3.	69524	DECAL INSTRUCT CONSOLE TOP GER	1
4.	69525	DECAL INSTRUCT CONSOLE TOP FR	1
5.	307104	DECAL CONSOLE TOP "1.5-SP"	1
6.		REFERENCE ONLY	1
7.		REFERENCE ONLY	1
8.	324044	DECAL LIFT DECK BLADE HEIGHT	1
9.	68901	DECAL BLADE HEIGHT ADJ EUROPE	1
10.	305770	DECAL CAUTION TRIANGLE EUROPE	1
11.	68902	DECAL WARNING FIRE NO. GERMAN	1
12.	310553	DECAL DANGER ENGLISH	1
13.	68903	DECAL BRAKE/CLUTCH ENGL	1
14.	55895	PAD, FOAM HOOD TOP L/R	1
15.	55896	PAD, FOAM HOOD SIDE L/R	1

