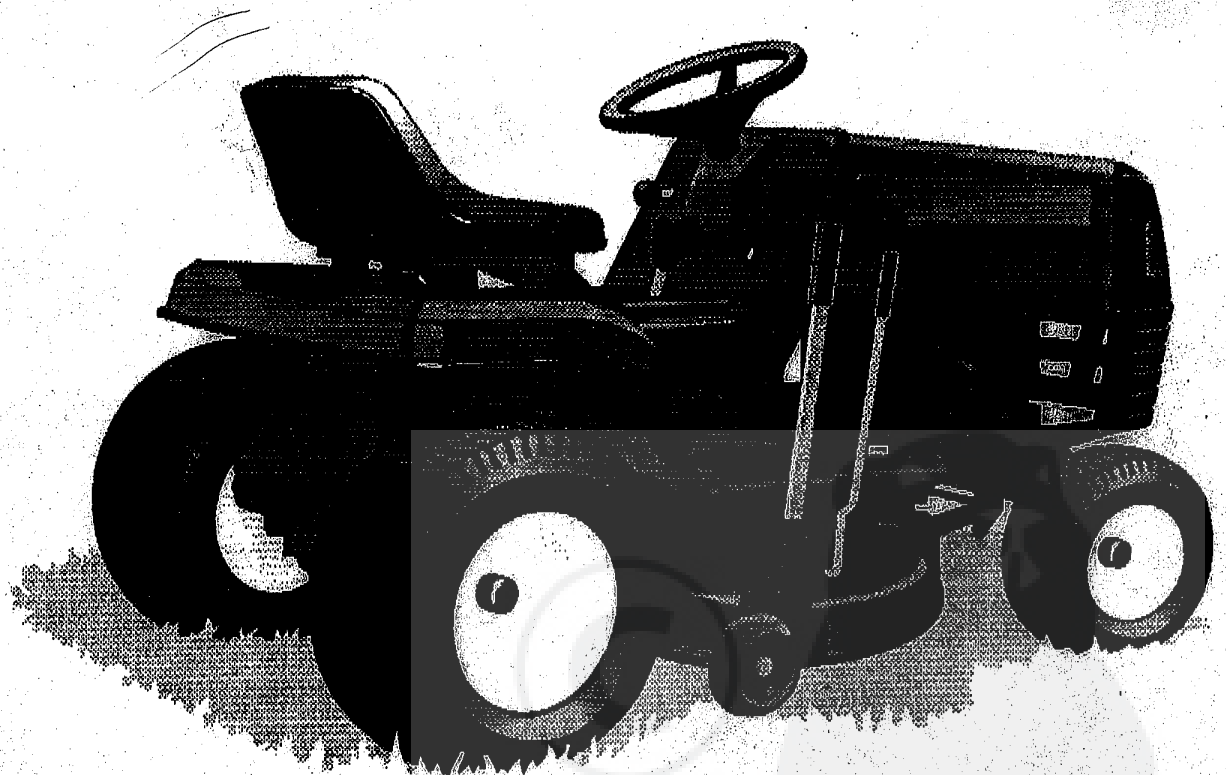


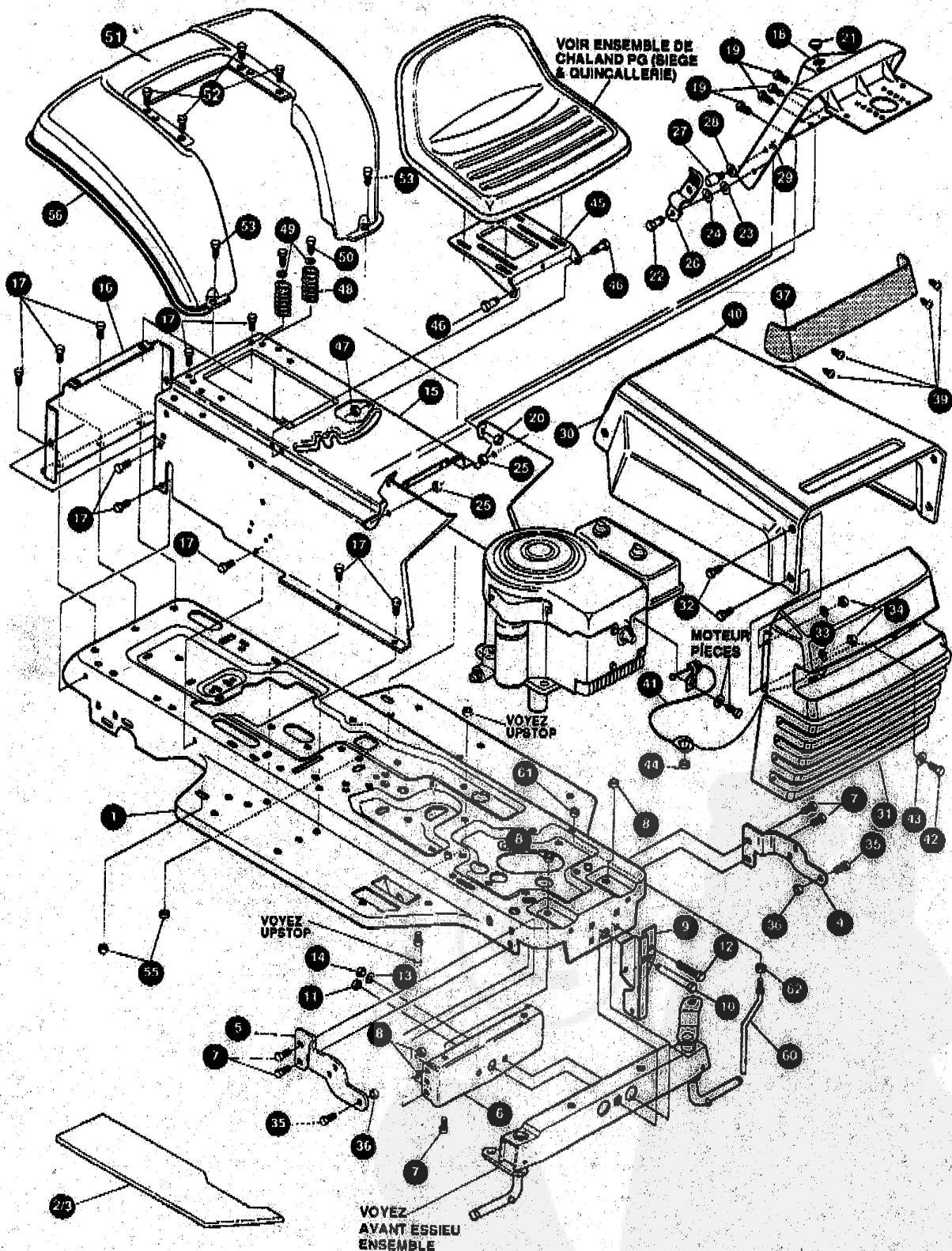
TONDEUSE AUTOPORTEE
CAST *Spring*
MANUEL PIECES DE RECHANGE



Modèle E3554-030

36" TONDEUSE AUTOPORTEE MODELE E3554-030

CHASSIS & CAPOT ENSEMBLE



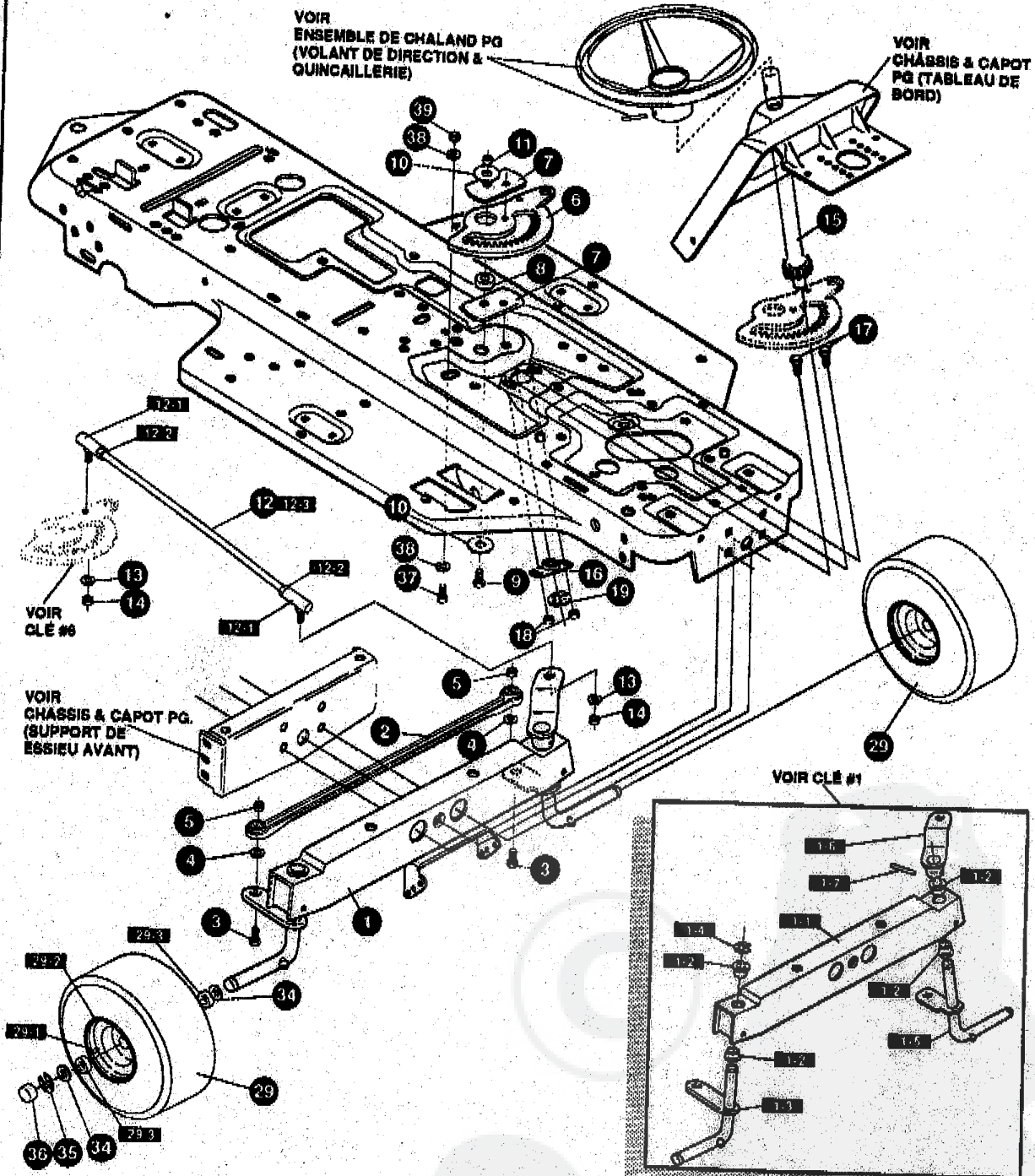
332290A

36" TONDEUSE AUTOPORTEE MODELE E3554-030

| KEY# | PART# | DESCRIPTION | QTY |
|------|------------|---|----------|
| 1 | 391173-860 | FRAME,MAIN | 1 |
| 2 | 331834 | FOOT PAD, RH SF, FULL WIDTH | 1 |
| 3 | 331835 | FOOT PAD, LH SF, FULL WIDTH | 1 |
| 4 | 314579-853 | BRACKET, GRILLE LH | 1 |
| 5 | 314578-853 | BRACKET, GRILLE RH | 1 |
| 6 | 56362-853 | BRKT, SUPPORT,FRONT AXLE | 1 |
| 7 | 328154 | SCREW, 5/16-18X1.0WDFLLK | 1 |
| 8 | 55273 | NUT, 5/16-18 HXWDFLLK | 6 |
| 9 | 56261-860 | BRACKET, FRONT HANGER | 6 |
| 10 | 50720 | BOLT, .625X2.975 SPSH 1/2-20 | 1 |
| 11 | 274654 | NUT, 1/2-20 REGHXCTRLK | 1 |
| 12 | 180138 | SCREW, 3/8-16X3.00 HHC | 1 |
| 13 | 2489 | WASHER, 39IDX1.25DX.07 BELLVIL | 1 |
| 14 | 1499 | NUT, 3/8-16 REGHXCTRLK | 1 |
| 15 | 391796-860 | CONSOLE | 1 |
| 16 | 56235-860 | CONSOLE, REAR COVER | 1 |
| 17 | 995346 | SCREW, 1/4-20X .50 WAHTAP | 15 |
| 18 | 320466-860 | DASH | 1 |
| 19 | 44811 | SCREW, 1/4-20X .75 WAHTAP | 4 |
| 20 | 50352 | NUT, 1/4-20 WDFLLK TOPLOCK | 2 |
| 21 | 318202 | PLUG,DOME.56DIA.HEYCO #2853 | 1 |
| 22 | 8482 | BOLT, .375X .156 HSSH 5/16-18 | 2 |
| 23 | 120394 | WASHER, FLAT .406X .81X.065 | 2 |
| 24 | 120393 | WASHER, FLAT .344X .69X.065 | 2 |
| 25 | 1498 | NUT, 5/16-18 REGHEXCTRLK | 2 |
| 26 | 57159 | LATCH, .94WDX.047 ASSY HOOD | 2 |
| 27 | 53446 | PIN, 5/16-18 HOOD LATCH | 2 |
| 28 | 136538 | WASHER, REGINTLK.320X.61X.03 | 2 |
| 29 | 45174 | NUT, 5/16-18 HEXWDFLLK WHIZ | 2 |
| 30 | 314538-860 | HOOD | 1 |
| 31 | 325401 | GRILLE | 1 |
| 32 | 274672 | SCREW, 1/4-20X .63 WAHHC | 4 |
| 33 | 120392 | WASHER, FLAT .281X .63X.065 | 4 |
| 34 | 1502 | NUT, 1/4-20 REGHEXCTRLK | 4 |
| 35 | 36149 | BOLT, .375X .500 HSSH 5/16-18 | 2 |
| 36 | 1498 | NUT, 5/16-18 REGHEXCTRLK | 2 |
| 37 | 302333 | LENS, SMOKED | 1 |
| 39 | 57796 | SCREW, #6 X .50 PLASTITE/HI-LO | 4 |
| 40 | 56304 | EDGING,WIDE BLK | 25 IN. |
| 41 | 311094 | LANYARD, HOOD 11.75LG H15 VANG | 1 |
| 42 | 180020 | SCREW, 1/4-20X .75 HHC | 1 |
| 43 | 120392 | WASHER, FLAT .281X .63X.065 | 1 |
| 44 | 1502 | NUT, 1/4-20 REGHEXCTRLK | 1 |
| 45 | 58367-853 | PLATE,SEAT | 1 |
| 46 | 20507 | BOLT, .437X .156 HSSH 5/16-18 | 2 |
| 47 | 1498 | NUT, 5/16-18 REGHEXCTRLK | 2 |
| 48 | 330463 | SPRING, SEAT 1.500DX2.25LG | 2 |
| 49 | 120392 | WASHER, FLAT .281X .63X.065 | 2 |
| 50 | 995346 | SCREW, 1/4-20X .50 WAHTAP | 2 |
| 51 | 332420-860 | FENDER | 1 |
| 52 | 995346 | SCREW, 1/4-20X .50 WAHTAP | 4 |
| 53 | 126358 | BOLT, 5/16-18X1.00 CARRLN | 2 |
| 55 | 55273 | NUT, 5/16-18 HXWDFLLK | 2 |
| 56 | 55023 | TRIM,STRIP,BLACK--SMALL,W/ADH | 77.5 IN. |
| 60 | 50653 | GUIDE, BELT | 1 |
| 61 | 41529 | NUT, 3/8-16 HXCTRLKJAM | 1 |
| 62 | 271190 | NUT, 3/8-16 HEXKEPS | 1 |
| | 332365 | OPERATOR'S MANUAL (NOT ILLUSTRATED) | 1 |
| | 332375 | PARTS MANUAL | 1 |

36" TONDEUSE AUTOPORTEE MODELE E3554-030

ENSEMBLE DE DIRECTION



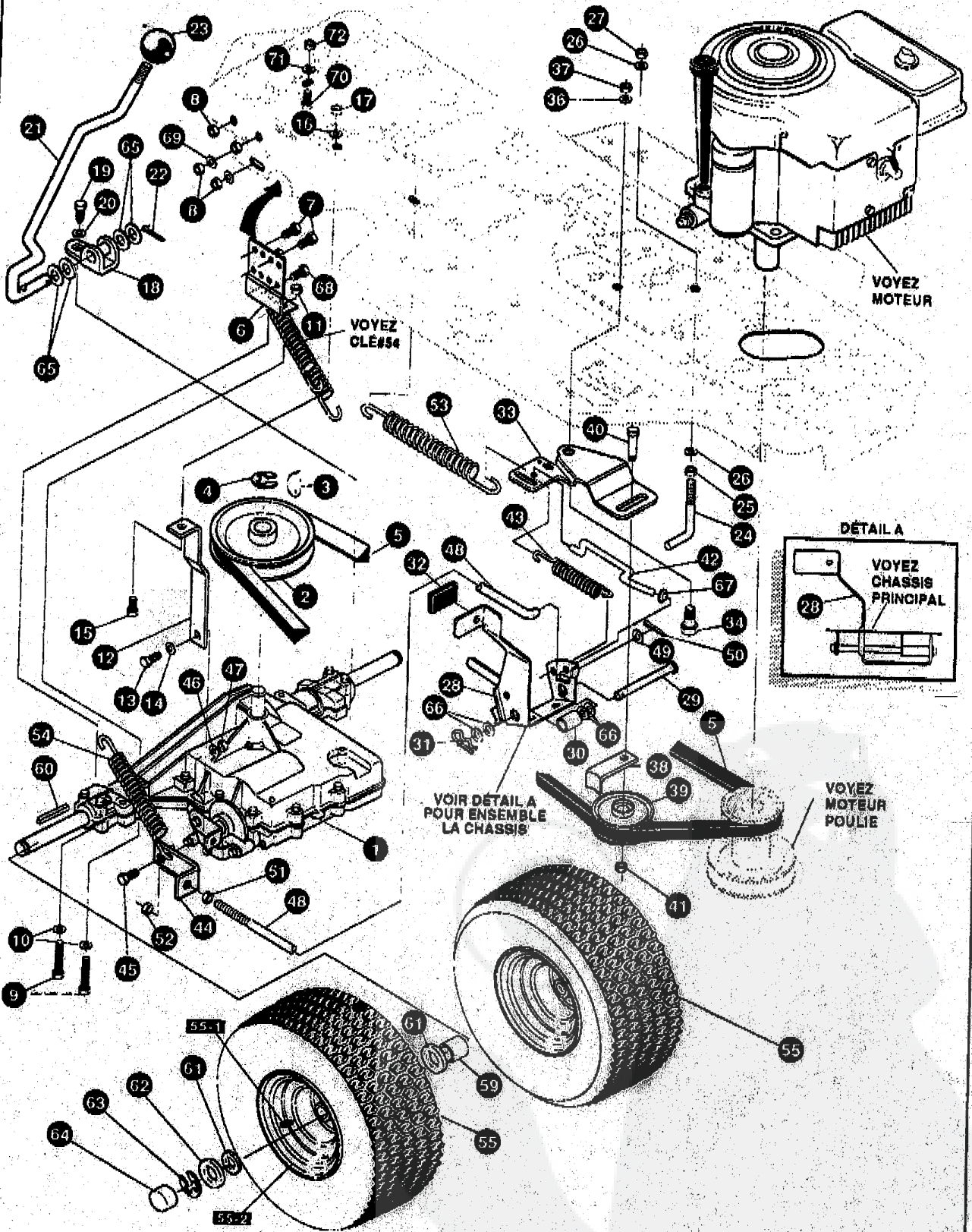
36" TONDEUSE AUTOPORTEE MODELE E3554-030

| KEY# | PART# | DESCRIPTION | QTY |
|------|------------|--|-----|
| 1 | | AXLE FRONT ASSY | 1 |
| 1-1 | 56399-853 | FRONT AXLE | 1 |
| 1-2 | 50546 | BEARING, FLANGED .759IDX1.002ODX .75 | 1 |
| 1-3 | 310368-859 | SPINDLE, ASSY, RH LONG | 4 |
| 1-4 | 36625 | RING, RETEX .57X.05TRU5133-75 | 1 |
| 1-5 | 310367 | SPINDLE ASSEMBLY, LH LONG | 1 |
| 1-6 | 327619-860 | ARM ASSY | 1 |
| 1-7 | 454565 | PIN, SPRING .250DIA X 1.25LG HVPL | 1 |
| 2 | 302888 | ASSEMBLY, TIE ROD 19.31 LG | 1 |
| 3 | 180124 | SCREW, 3/8-16X1.25 HHC | 2 |
| 4 | 120382 | WASHER, REGSPTLK 393X.68X.10 | 2 |
| 5 | 1499 | NUT, 3/8-16 REGHXOTRLK | 2 |
| 6 | 324752 | GEAR, SECTOR | 1 |
| 7 | 330789 | PLATE, SECTOR | 2 |
| 8 | 330021 | BUSHING, SECTOR GEAR | 1 |
| 9 | 181643 | SCREW, 3/8-24X1.50 HHC | 1 |
| 10 | 845 | WASHER, FLAT .390X1.25X.119 | 2 |
| 11 | 412349 | NUT, 3/8-24 HXCTRLK | 1 |
| 12 | 328908 | DRAG LINK ASSY 17.69LG | 1 |
| 12-1 | 57158 | BALL JOINT 3/8 THD SHORT STUD | 2 |
| 12-2 | 124925 | NUT, 3/8-24 REGHEXJAM | 2 |
| 12-3 | 58190 | DRAG LINK | 1 |
| 13 | 120382 | WASHER, REGSPTLK 393X.68X.10 | 2 |
| 14 | 120369 | NUT, 3/8-24 REGHEX | 2 |
| 15 | 327834 | SHAFT, PIN STEER | 1 |
| 16 | 325692 | BEARING, FLANGED .50 IDX1.370ODX | 1 |
| 17 | 326505 | SCREW 1/4-20X.75 (TQ 30-35 FT#) | 2 |
| 18 | 46931 | NUT, 1/4-20 WDFL MAC-LOCK | 2 |
| 19 | 20864 | RING, RET E .39X.04TRU5133-50 | 1 |
| 29 | 41059 | TIRE & RIM ASSY PU 13X5.0X6 TUR668 | 2 |
| 34 | 642 | WASHER, FLAT .755X1.31X.075 | 4 |
| 35 | 36625 | RING, RETEX .57X.05TRU5133-75 | 2 |
| 36 | 40394 | HUB CAP, 1.500ID X 7/8LG | 2 |
| 37 | 180124 | SCREW, 3/8-16X1.25 HHC | 1 |
| 38 | 120394 | WASHER, FLAT .406X .81X.085 | 2 |
| 39 | 45171 | NUT, 3/8-16 HWDFL WHIZ-LOCK ZN | 1 |

* ORDER INDIVIDUAL PARTS.

36" TONDEUSE AUTOPORTEE MODELE E3554-030

COMMANDE DE PROPULSION



331791B

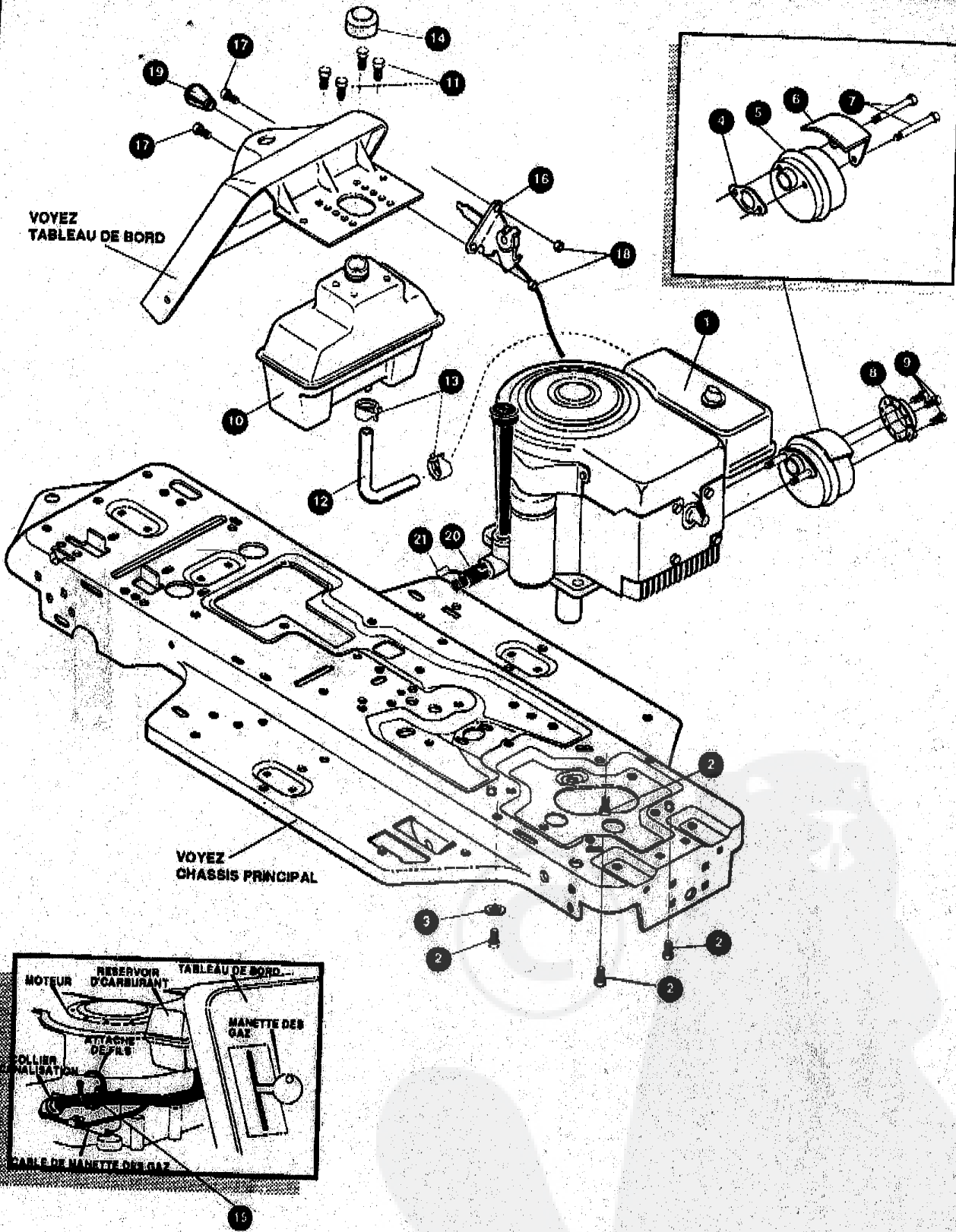
36" TONDEUSE AUTOPORTEE MODELE E3554-030

| KEY# | PART# | DESCRIPTION | QTY |
|------|------------|---------------------------------|-----|
| 1 | | TRANSAXLE FOOTE 4360-5 | 1 |
| 2 | 303109 | PULLEY, 6.6 OD V4L T/A | 1 |
| 3 | 50795 | KEY, HI-PRO 606 .75DIA X.187WD | 1 |
| 4 | 22053 | RING, RETEX .58X.035TRU5100-62 | 1 |
| 5 | 54758 | BELT, V 4L 82.00 SF DRIVE | 1 |
| 6 | 326615-853 | BRACKET, TRANSAXLE | 1 |
| 7 | 180077 | SCREW, 5/16-18X .75 HHC | 2 |
| 8 | 1498 | NUT, 5/16-18 REGHEXCTRLK | 4 |
| 9 | 180091 | SCREW, 5/16-18X2.50 HHC | 8 |
| 10 | 120393 | WASHER, FLAT .344X .69X.065 | 4 |
| 11 | 1498 | NUT, 5/16-18 REGHEXCTRLK | 4 |
| 12 | 323126 | BRKT, STABILIZER BLKPHOS | 1 |
| 13 | 35498 | SCREW, 5/16-18X .75 WAHHTAP | 1 |
| 14 | 120638 | WASHER, HVSPTLK .928X.60X.09 | 1 |
| 15 | 180079 | SCREW, 5/16-18X1.00 HHC | 1 |
| 16 | 138485 | WASHER, EXLK .920X.61X.03 | 1 |
| 17 | 1498 | NUT, 5/16-18 REGHEXCTRLK | 1 |
| 18 | 331393-853 | BRACKET, SHIFT F4360 | 1 |
| 19 | 56255 | SCREW, 1/4-28X .75 NYLHHC | 1 |
| 20 | 57157 | WASHER, .760X.250 SP-TRANSAXLE | 1 |
| 21 | 331800 | SHIFT LEVER (DANA) Z-PL | 1 |
| 22 | 137185 | PIN, COTTER .125 DIA X1.00LG | 1 |
| 23 | 55514 | KNOB, ROUND 1.50 DIA | 1 |
| 24 | 49896 | BELT GUIDE | 1 |
| 25 | 271184 | NUT, 5/16-18 HEXKEPS | 1 |
| 26 | 120393 | WASHER, FLAT .344X .69X.065 | 2 |
| 27 | 1498 | NUT, 5/16-18 REGHEXCTRLK | 1 |
| 28 | 331836 | ASSY, PEDAL, BRAKE, CLUTCH | 1 |
| 29 | 319676 | PIN, CLEVIS .500DX4.87LG | 1 |
| 30 | 331972 | SPACER, SLEV .53 X .62X1.240 | 1 |
| 31 | 56180 | PIN, HAIR .091 DIA X1.62LG | 1 |
| 32 | 48761 | PAD, CLUTCH/BRAKE PEDAL | 1 |
| 33 | 321969 | IDLER ARM BRKT TRACTION | 1 |
| 34 | 329989 | BOLT, .625X .135 HSSH 5/16-18 | 1 |
| 36 | 45602 | WASHER, FLAT .333X .87X.119 | 1 |
| 37 | 1498 | NUT, 5/16-18 REGHEXCTRLK | 1 |
| 38 | 39659 | RETAINER, BELT | 1 |
| 39 | 35374 | PULLEY, IDLER V4L 3.06X .62 | 1 |
| 40 | 45892 | BOLT, 3/8-16X1.50 CARHSSN | 1 |
| 41 | 1499 | NUT, 3/8-16 REGHXCTRLK | 1 |
| 42 | 331356 | ROD, CLUTCH .268 DIA 3.92" | 1 |
| 43 | 50562 | SPRING 3/8ODX1.825X.055 TENSION | 1 |
| 44 | 323127-853 | BRKT, BRAKE ROD BLKPHOS | 1 |
| 45 | 20507 | BOLT, .437X .156 HSSH 5/16-18Z | 1 |
| 46 | 120393 | WASHER, FLAT .344X .69X.065 | 1 |
| 47 | 1498 | NUT, 5/16-18 REGHEXCTRLK | 1 |
| 48 | 323222 | BRAKE ROD, RIDER BLKPHOS | 1 |
| 49 | 120393 | WASHER, FLAT .344X .69X.065 | 1 |
| 50 | 121222 | PIN, COTTER .090 DIA X .75LG | 1 |
| 51 | 271184 | NUT, 5/16-18 HEXKEPS | 1 |
| 52 | 1498 | NUT, 5/16-18 REGHEXCTRLK | 1 |
| 53 | 327867 | SPRING 3/4 ODX7.75X.091 TENSION | 1 |
| 54 | 35410 | SPRING .071 X .62 X 4.37 | 1 |
| 55 | 393815 | TIRE & RIM, PU 18X8.5X8 TUR868 | 2 |
| 55-1 | 24167 | VAVLE STEM | 1 |
| 55-2 | 36162 | WHEEL HUB | 1 |
| 59 | 57470 | SPACER, SLEV .75 X1.25X1.32 | 2 |
| 60 | 52928 | KEY, SQUARE .187SQX2.25LG | 2 |
| 61 | 642 | WASHER, FLAT .755X1.31X.075 | 4 |
| 62 | 42815 | WASHER, FLAT .755X1.53X.07 | 2 |
| 63 | 38625 | RING, RETEX .57X.05TRU5133-75 | 2 |
| 64 | 40394 | HUB CAP, 1.500ID X 7/8LG | 2 |
| 65 | 5950 | WASHER, FLAT .505X .88X.13 | 4 |
| 66 | 2968 | WASHER, FLAT .504X .75X.059 | 4 |
| 67 | 332179 | CAP, PUSH ON, FOR DIA .250 ROD | 1 |
| 68 | 327917 | SCREW, 5/16-18X1.50HHOFT | 4 |
| 69 | 73787 | WASHER, FLAT .330X .75X.1793 | 4 |
| 70 | 180022 | SCREW, 1/4-20X1.00 HHC | 1 |
| 71 | 120380 | WASHER, REGSPTLK.263X.49X.07 | 1 |
| 72 | 120375 | NUT, 1/4-20 REGHEX | 1 |

* CONTACT YOUR NEAREST TRANSAXLE DEALER FOR PARTS AND SERVICE.

36" TONDEUSE AUTOPORTEE MODELE E3554-030

MOTEUR ET COMMANDE



36" TONDEUSE AUTOPORTEE MODELE E3554-030

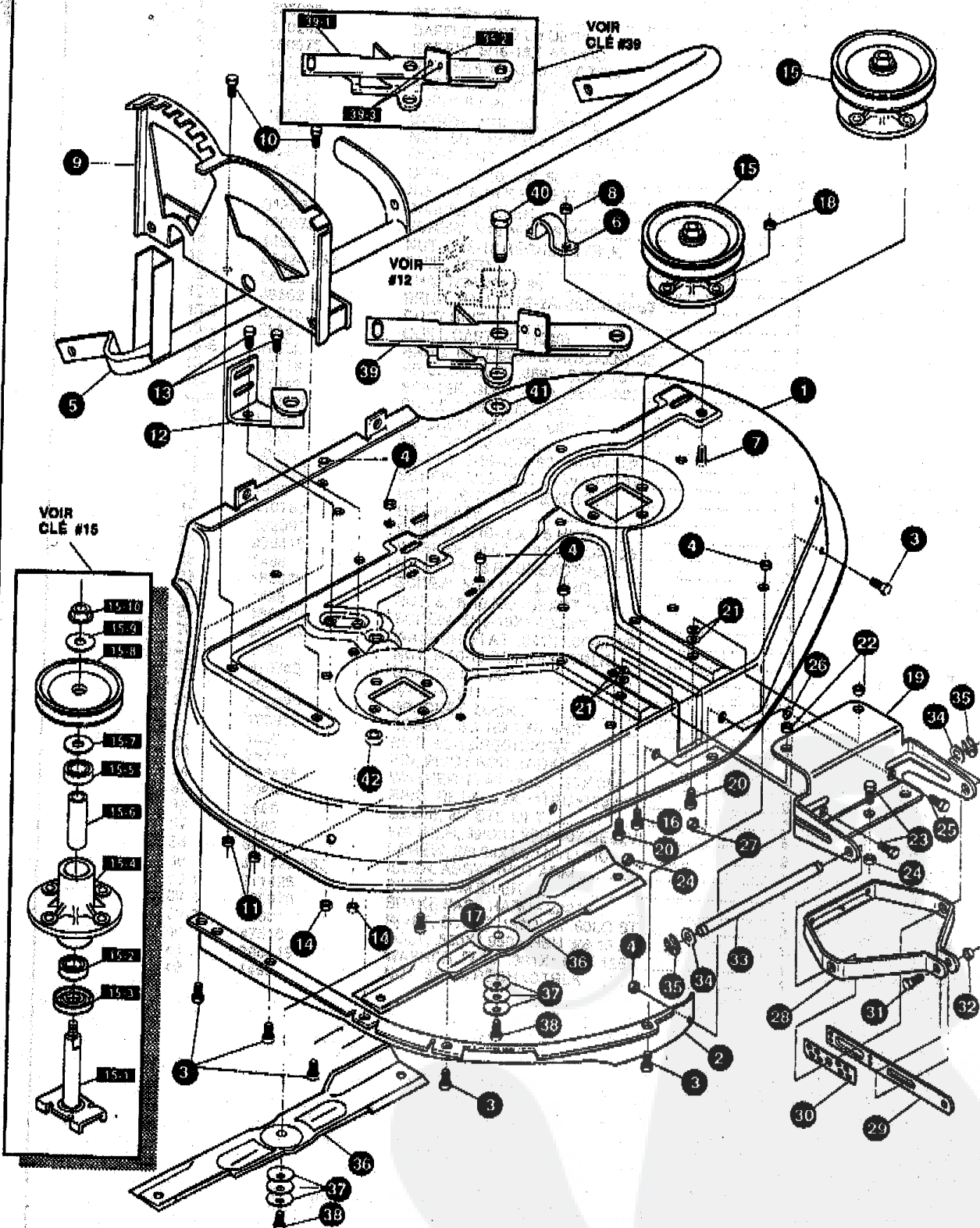
| KEY# | PART# | DESCRIPTION | QTY |
|------|--------|--|--------|
| 1 | ENGINE | 12-12.5HP BS IC DUAL (SEE ENGINE MANUAL) | 1 |
| 2 | 50947 | SCREW, 3/8-16X1.25 WAHHTAPBLKP | 4 |
| 3 | 138489 | WASHER, EXLK 384X.69X.04 | 1 |
| 4 | 54766 | MUFFLER-DOM/EXP ROUND | 1 |
| 5 | 46708 | GASKET, MUFFLER | 1 |
| 6 | 54767 | SHIELD, HEAT FOR ROUND MUFFLER | 1 |
| 7 | 54980 | SCREW, 5/16-18X3.50 HHC | 2 |
| 8 | 323423 | DEFLECTOR, MUFFLER PARTIAL | 1 |
| 9 | 35287 | SCREW, #8-32X .38 HHWATAP | 3 |
| 10 | 314989 | TANK, FUEL 1 GAL CLEAR | 1 |
| 11 | 300303 | SCREW, 25X.75X.51HHWAPLASTITE | 4 |
| 12 | 42258 | TUBING, 25X.50X BULK GAS LINE | 12 IN. |
| 13 | 47345 | CLAMP, FUEL LINE | 2 |
| 14 | 46704 | CAP, GAS 1-1/2-7 THD BLK | 1 |
| 15 | 57444 | TIE, CABLE BLACK NYLON 5.62L | 1 |
| 16 | 320031 | THROTTLE CONTROL | 1 |
| 17 | 274707 | SCREW, 10-24X .50 WAHMA | 2 |
| 18 | 308459 | NUT, #10-24 HXHDNYLK | 2 |
| 19 | 50607 | KNOB, ROUND THROTTLE | 1 |
| 20 | 325547 | OIL DRAIN VALVE ASSEMBLY | 1 |
| 21 | 327422 | CAP,OIL DRAIN VALVE ASM.YELLOW | 1 |

36" TONDEUSE AUTOPORTEE MODELE E3554-030

BOITIER DE TONDEUSE PEINT

REVA PARTS

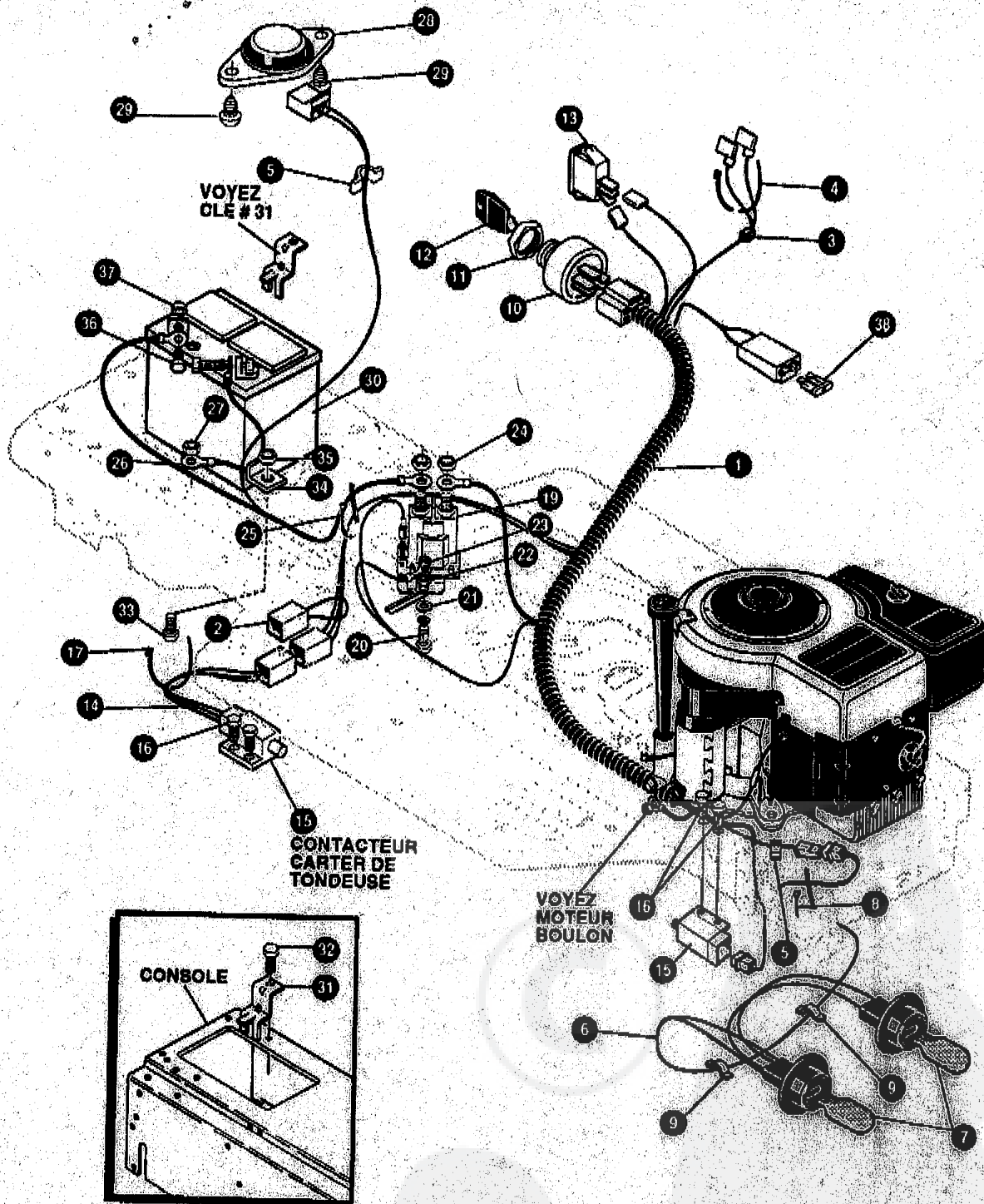
DESCRIPTION



316030D

36" TONDEUSE AUTOPORTEE MODELE E3554-030

EQUIPEMENT ÉLECTRIQUE

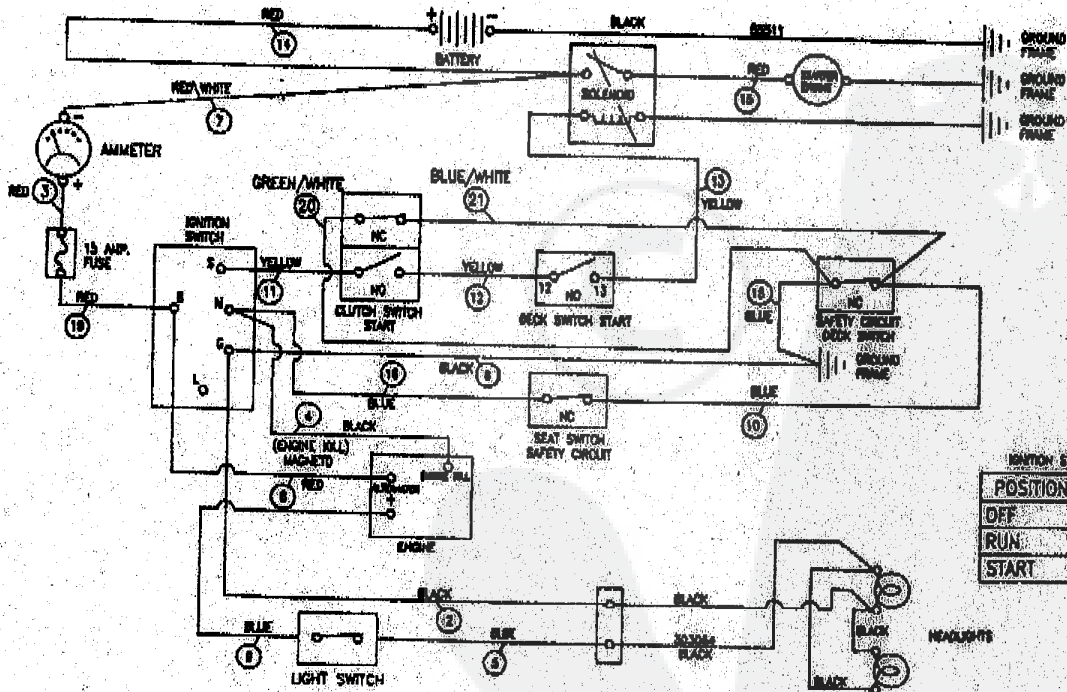


332289A

36" TONDEUSE AUTOPORTEE MODELE E3554-030

| KEY# | PART# | DESCRIPTION | QTY |
|------|--------|---------------------------------|-----|
| 1 | 391454 | WIRE HARNESS SF DUAL CIRCUIT | 1 |
| 2 | 322296 | BY-PASS FOR GROUND SUPPORT | 1 |
| 3 | 322298 | SPLICER | 1 |
| 4 | 57444 | TIE, CABLE BLACK NYLON 5.62L | 1 |
| 5 | 41482 | PRESS CLIP, 1.380LG .255ID | 1 |
| 6 | 303064 | ASSY, LIGHT WIRE-1/4 TURN | 2 |
| 7 | 52572 | BULB, HEADLAMP | 1 |
| 8 | 57444 | TIE, CABLE BLACK NYLON 5.62L | 2 |
| 9 | 41482 | PRESS CLIP, 1.380LG .255ID | 1 |
| 10 | 327355 | SWITCH-IGN.(AFTER FIRE) 3 POSN | 2 |
| 11 | 327352 | NUT, 5/8-8ACME DELTA FOR BOOT | 1 |
| 12 | 327350 | KEY, IGNITION | 1 |
| 13 | 300334 | LIGHT SWITCH ON/OFF PANEL MNT | 1 |
| 14 | 57588 | HARNESS, DECK WIRE SHORT 4 WIRE | 1 |
| 15 | 57478 | SWITCH, SCR MNT DP NC NO BLK | 1 |
| 16 | 300302 | SCREW, #10 X .50 HMTAPPST BLK | 2 |
| 17 | 57444 | TIE, CABLE BLACK NYLON 5.62L | 4 |
| 19 | 53716 | SOLENOID | 1 |
| 20 | 187745 | SCREW, 1/4-20X .75 HXSEMMA | 1 |
| 21 | 1084 | WASHER, FLAT .281X1.00X.063PL | 2 |
| 22 | 1502 | NUT, 1/4-20 REGHEXCTRLK | 1 |
| 23 | 271172 | NUT, 1/4-20 REGHEXCTRLK | 2 |
| 24 | 271187 | NUT, 5/16-24 HKEPS | 1 |
| 25 | 57444 | TIE, CABLE BLACK NYLON 5.62L | 2 |
| 26 | 55511 | WIRE, GROUND, 12.5" | 1 |
| 27 | 271184 | NUT, 5/16-18 HEXKEPS | 1 |
| 28 | 57547 | SWITCH, SEAT | 1 |
| 29 | 160505 | SCREW, 1/4-20X .38PHPNHMA | 1 |
| 30 | 302257 | BATTERY, 12V | 2 |
| 31 | 329175 | BATTERY BRACKET | 1 |
| 32 | 995346 | SCREW, 1/4-20X .50 WAHHTAP | 1 |
| 33 | 187745 | SCREW, 1/4-20X .75 HXSEMMA | 1 |
| 34 | 9149 | BRACKET, CABLE RETAINER | 1 |
| 35 | 1502 | NUT, 1/4-20 REGHEXCTRLK | 1 |
| 36 | 120854 | SCREW, 1/4-20X .63 HHC | 2 |
| 37 | 271172 | NUT, 1/4-20 REGHEXKEPS | 2 |
| 38 | 302031 | FUSE SPADE TYPE 32V 15A | 1 |

SCHEMATIC WIRING

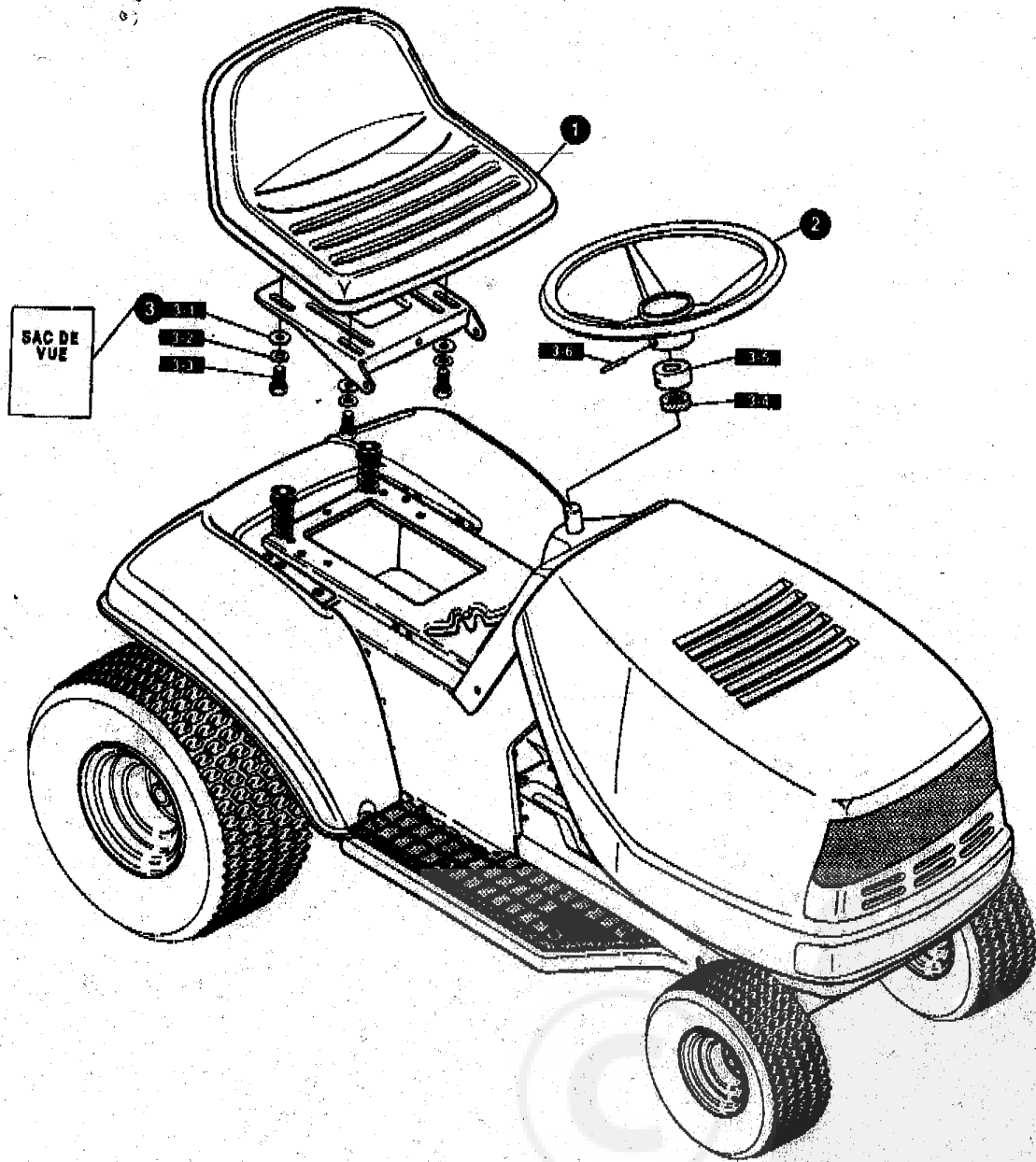


IGNITION SWITCH 327355

| POSITION | C | M | L | B | S |
|----------|---|---|---|---|---|
| OFF | ● | ● | ● | ● | ● |
| RUN | | | | | |
| START | | | | | |

36th TONDEUSE AUTOPORTEE MODELE E3554-030

CHALAND ENSEMBLE



| KEY# | PART# | DESCRIPTION | QTY |
|------|--------|-----------------------------------|-----|
| 1 | 304314 | SEAT, MICHIGAN W/SW HOLE | 1 |
| 2 | 330510 | STEERING WHEEL | 1 |
| 3 | 331424 | PARTS BAG ASSY SEAT/STEER | 1 |
| 1-1 | 120993 | WASHER, FLAT .344X.69X.065 | 4 |
| 1-2 | 120636 | WASHER, HVSP TLK, 328X.60X.09 | 4 |
| 1-3 | 122007 | SCREW, 5/16-18X.75 HHC | 4 |
| 1-4 | 331322 | COVER, STEERING SHAFT | 1 |
| 1-5 | 301413 | SPACER, STEERING SHAFT | 1 |
| 1-6 | 456378 | PIN, SPRING, 250DIA X 2.00LG HVPL | 1 |
| | | BATTERY ACID PACK, 80 OZ | 1 |

* MAY BE PURCHASED AT LOCAL HARDWARE STORES.

327405D