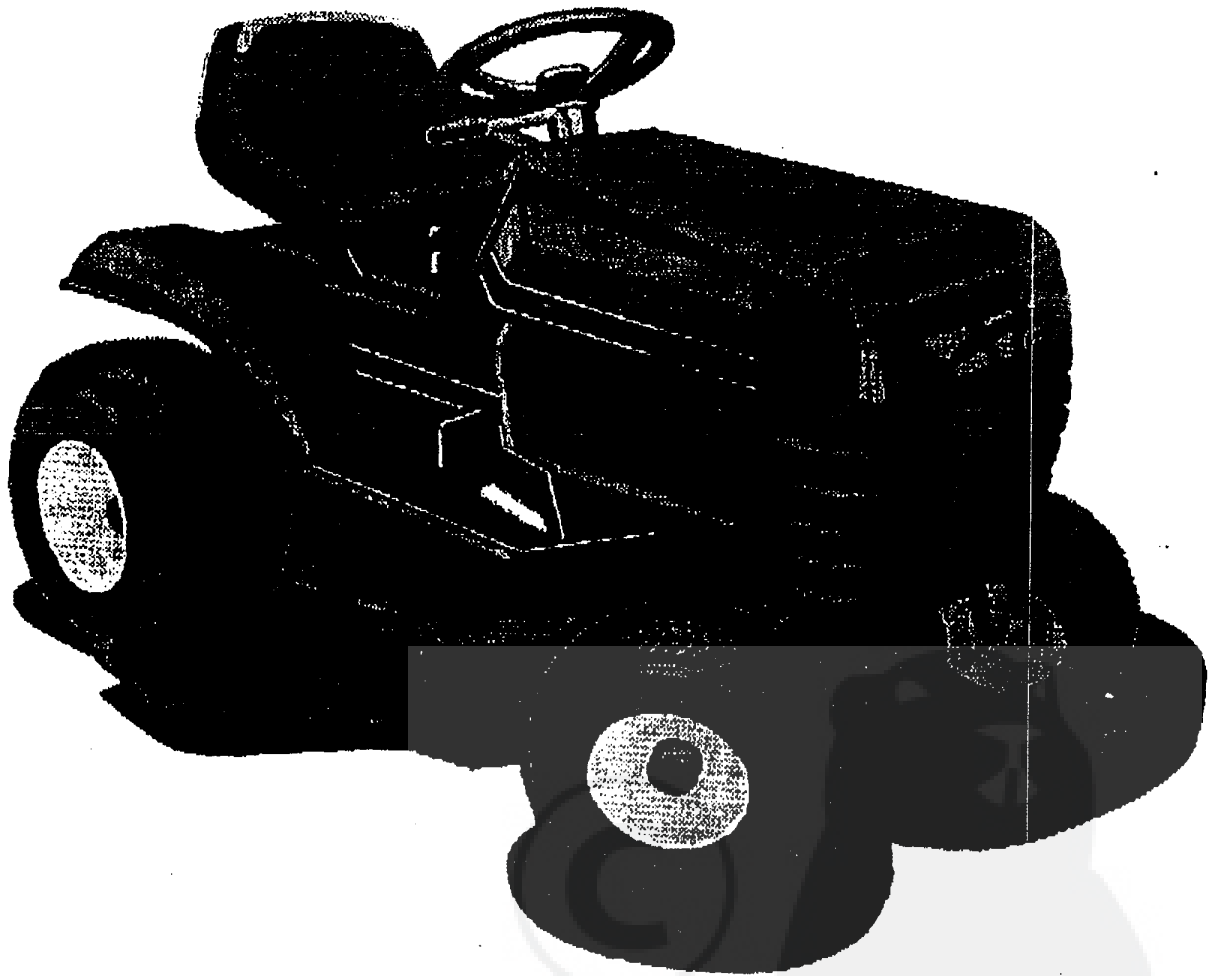


PARTS MANUAL

Lawn Tractors



Model E3554-130



SAFETY RULES
THESE INSTRUCTIONS ARE FOR YOUR PROTECTION. PLEASE READ THEM CAREFULLY.



IMPORTANT

THIS CUTTING MACHINE IS CAPABLE OF AMPUTATING HANDS AND FEET AND THROWING OBJECTS. FAILURE TO OBSERVE THE FOLLOWING SAFETY INSTRUCTIONS COULD RESULT IN SERIOUS INJURY OR DEATH.

I. GENERAL OPERATION:

- Know controls and how to stop quickly.
- Read, understand, and follow all instructions in the manual and on the machine before starting.
- Only allow responsible adults, who are familiar with instructions, to operate the machine.
- Wear safety glasses or eye shields when assembling or operating the machine.
- Do not operate machine when barefooted. Always wear substantial footwear, preferably steel-toed shoes.
- Do not wear loose fitting clothing that could get caught in moving parts.
- Clear the area of objects such as rocks, toys, wire, etc., which could be picked up and thrown by the blade(s).
- Be sure the area is clear of other people before mowing. Stop machine if anyone enters the area.
- Never carry passengers.
- Do not mow in reverse unless absolutely necessary. Always look down and behind before and while backing.
- Be aware of the mower discharge direction and do not point it at anyone. Do not operate the mower without either the entire grass catcher or the guard in place.
- Slow down before turning.
- Never leave a running machine unattended. Always turn off blades, set parking brake, stop engine, and remove keys before dismounting.
- Turn off blade(s) when not mowing.
- Stop engine before removing grass catcher or unclogging chute.
- Mow only in daylight or good artificial light.
- Do not operate the machine while under the influence of alcohol or drugs.
- Watch for traffic when operating near or crossing roadways.
- Use care when mowing around a fixed object to prevent the blade(s) from striking it. Never deliberately run over any foreign object.
- Use extra care when loading or unloading the machine into a trailer or truck.
- Use care when pulling loads or using heavy equipment.
 - a. Use only approved drawbar hitch points.
 - b. Limit loads to those that you can safely control.
 - c. Do not turn sharply. Use care when backing.
 - d. Use counterweight(s), wheel weight or tire chains when suggested in attachment(s) instructions.

II. SLOPE OPERATION:

Slopes are a major factor related to loss-of-control and tip-over accidents, which can result in severe injury or death. All slopes require extra caution. If you cannot back up the slope or if you feel uneasy on it, do not mow it.

DO

- Mow up and down slopes, not across.
 - Remove obstacles such as rocks, tree limbs, etc.
 - Watch for holes, ruts, or bumps. Uneven terrain could overturn the machine. Tall grass can hide obstacles.
 - Use slow speed. Choose a low gear so that you will not have to stop or shift while on the slope.
 - Follow the manufacturer's recommendations for wheel weights or counterweights to improve stability.
 - Use extra care with grass catchers or other attachments. These can change the stability of the machine.
 - Keep all movement on the slopes slow and gradual. Do not make sudden changes in speed or direction.
 - Avoid starting or stopping on a slope. If tires lose traction, turn off the blade(s) and proceed slowly straight down the slope.
- DO NOT
- Do not turn on slopes unless necessary, and then slowly and gradually downhill, if possible.
 - Do not mow near drop-offs, ditches or embankments. The

mower could suddenly turn over if a wheel is over the edge of a cliff or ditch, or if an edge caves in.

- Do not mow on wet grass. Reduced traction could cause sliding.
- Do not try to stabilize the machine by putting your foot on the ground.
- Do not use grass catcher on steep slopes.

III. CHILDREN:

Tragic accidents can occur if the operator is not alert to the presence of children. Children are often attracted to the machine and the mowing activity. Never assume that children will remain where you last saw them.

- Keep children out of the mowing area and under the watchful care of another responsible adult.
- Be alert and turn machine off if children enter the area.
- Before and when backing, look behind and down for small children.
- Never carry children. They may fall off and be seriously injured or interfere with safe machine operation.
- Never allow children to operate the machine.
- Use extra care when approaching blind corners, shrubs, trees, or other objects that may obscure vision.

IV. SERVICE:

- Use extra care in handling gasoline and other fuels. They are flammable and vapors are explosive.
 - a. Use only an approved container.
 - b. Never remove gas cap or add fuel with the engine running. Allow engine to cool before refueling. Do not smoke.
 - c. Never refuel the machine indoors.
 - d. Never store the machine or fuel container inside where there is an open flame, such as in a water heater.
- Check fuel supply before each use allowing space for expansion as the heat of the engine and/or sun can cause gasoline to expand and overflow the tank.
- Use extra care when handling battery acid. Acid contact with skin may cause severe burns. Eye contact may cause blindness.
- Use extra care when servicing the battery. Explosive gas is produced in the battery. Do not service the battery while smoking or near an open spark or flame. This may cause the battery to explode causing serious injury.
- Never run a machine inside a closed area. Exhaust fumes contain CARBON MONOXIDE, an ODORLESS and DEADLY GAS.
- Keep nuts and bolts, especially blade attachment bolts, tight and keep equipment in good condition.
- Never tamper with safety devices. Check their operation regularly.
- Do not change the engine governor settings or overspeed engine.
- Reduce fire hazards. Keep machine free of grass, leaves, or other debris build-up. Clean up oil or fuel spillage. Allow machine to cool before storing.
- Stop and inspect the equipment if you strike an object. Repair, if necessary, before restarting.
- Never make adjustments or repairs with the engine running.
- Grass catcher components are subject to wear, damage, and deterioration, which could expose moving parts or allow objects to be thrown. Frequently check components and replace with manufacturer's recommended parts, when necessary.
- Mower blade(s) are sharp and can cut. Wrap the blade(s) or wear gloves, and use extra caution when servicing them.
- Check brake operation frequently. Adjust and service as required.



**LOOK FOR THIS SYMBOL TO POINT OUT IMPORTANT SAFETY PRECAUTIONS. IT MEANS--
 ATTENTION!!! BECOME ALERT!!! YOUR SAFETY IS INVOLVED.**

E3554-130

ID:

MAR 10 '00

9:39 No. 003 P.04

OWNER'S INFORMATION

Record the following information about your unit so that you will be able to provide it in case of loss or theft.

MODEL NUMBER: - (Enter complete 8 digit number from model plate on unit)

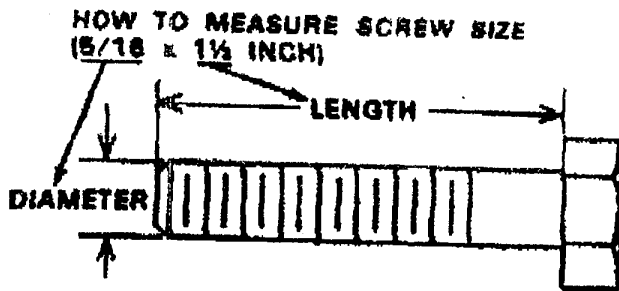
PURCHASE DATE: ___ / ___ / ___ CODE NO.: _____ SERIAL NO.: _____

DEALER'S NAME AND ADDRESS: _____

CITY: _____ STATE: _____ TELEPHONE: _____

TOOLS REQUIRED FOR ASSEMBLY

- 2 - 7/16 Inch Wrenches (or adjustable wrench)
- 1 - 1/2 Inch Wrench (or adjustable wrench)
- 1 - Small Phillips Screwdriver with a 1/4 Inch shank
- 1 - Hammer



DANGER

This lawn tractor can be dangerous if carelessly used.

Read your Operator's Manual thoroughly before operating your lawn tractor.

Always wear safety glasses or eye shields while assembling or operating your lawn tractor.

DO NOT carry passengers at any time.

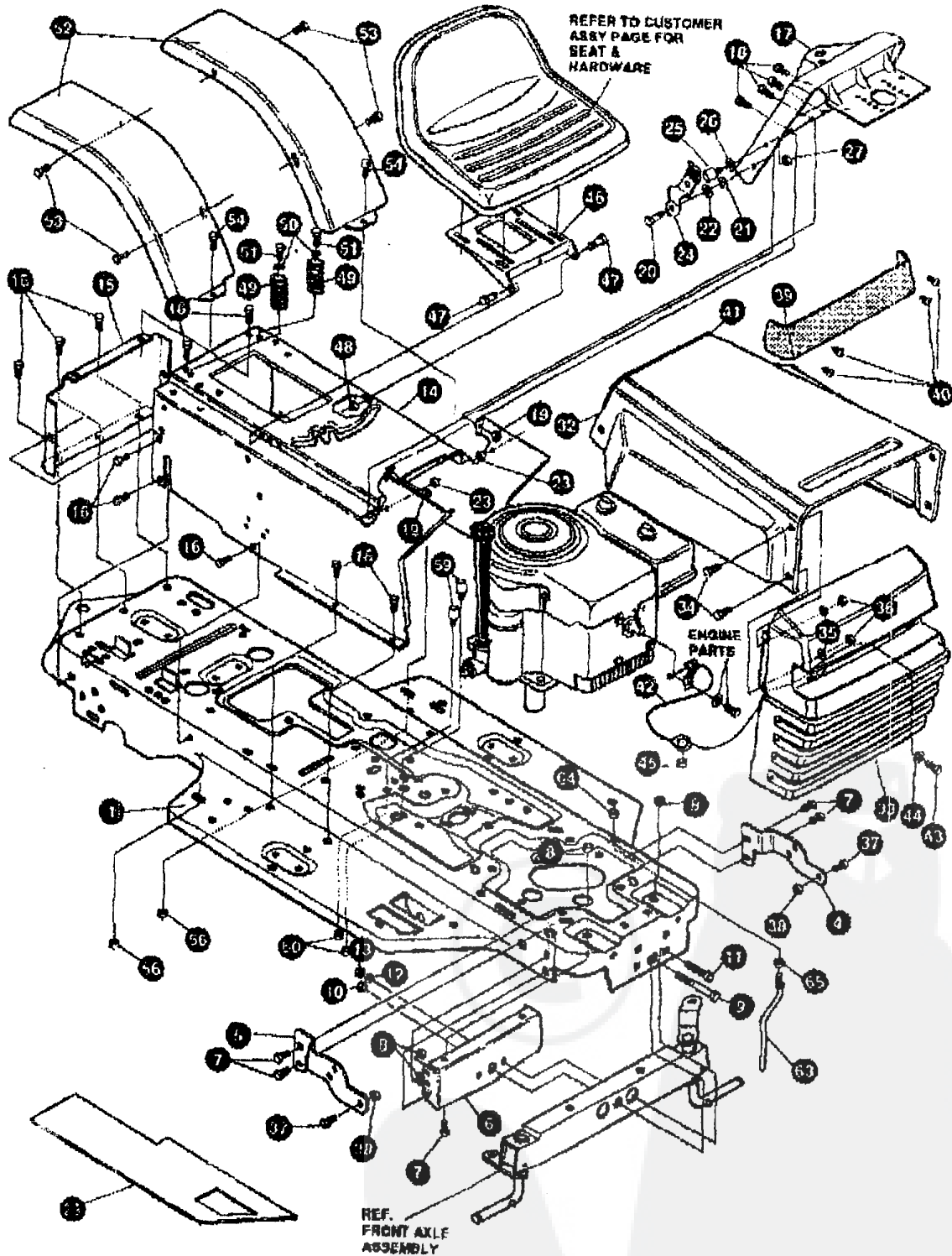
Keep your hands, feet, hair and loose clothing away from the discharge area, the underside of the mower deck or any moving parts while the engine is running.

DO NOT allow children or young teenagers to operate or be near your lawn tractor while it is operating.

ALWAYS GIVE THE FOLLOWING INFORMATION WHEN ORDERING REPAIR PARTS:
 1. The PART NUMBER; 2. The PART NAME; 3. QUANTITY DESIRED; 4. The MODEL NUMBER (As shown on Model Plate).
SEND PART ORDERS AS PER INSTRUCTIONS ON THE FRONT PAGE.
DO NOT USE KEY NUMBERS WHEN ORDERING REPAIR PARTS. ALWAYS USE PART NUMBERS.
 All replacement parts will be supplied in current production colors or in a neutral color.
 A handling fee is applicable to small parts orders.
YOUR UNIT IS RIGHT HAND (RH) OR LEFT HAND (LH) AS YOU STAND BEHIND IT.

E3554-130 REPAIR PARTS

CHASSIS & HOOD ASSEMBLY



ALL UNNUMBERED ITEMS ARE INTERCHANGEABLE WITH OPPOSITE SIDE

NOTE: ALWAYS USE ORIGINAL EQUIPMENT PARTS. Use of service/replacement parts other than original equipment parts may void your warranty.

332341A

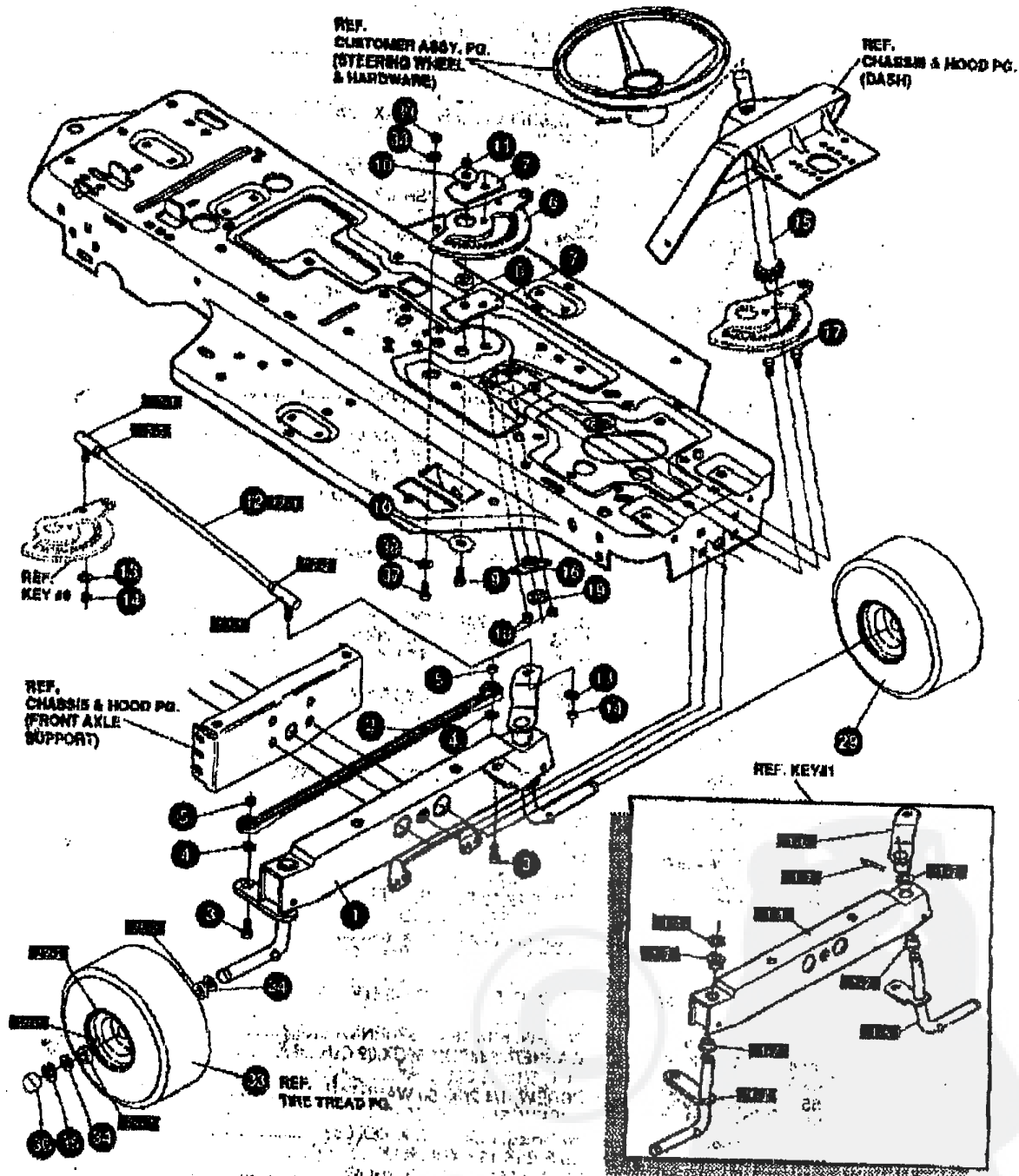
CHASSIS & HOOD ASSEMBLY

KEY#	PART#	DESCRIPTION	QTY
1	331173-860	FRAME MAIN SF RIDER	1
2	331834	FOOT PAD, RH SF, FULL WIDTH	1
3	331836	FOOT PAD, LH SF, FULL WIDTH	1
4	314678-853	BRACKET, GRILLE LH SF	1
5	314578-853	BRACKET, GRILLE RH SF	1
6	56362-853	BRKT, SUPPORT, FRONT AXLE SF	1
7	328154	SCREW, 5/16-18X1.0WDFLLK	6
8	85273	NUT, 5/16-18 HXWDFLLK	6
9	321136-860	BRACKET, HANGER 30" S.F.	1
10	60720	BOLT, 3/8X2.875 8PSH 1/2-20	1
11	274654	NUT, 1/2-20 REGHXCTRLK	1
12	180188	SCREW, 3/8-16X3.00 HHC	4
13	2483	WASHER, 3/8DX1.25DX.07 BELVIL	4
14	1499	NUT, 3/8-16 REGHXCTRLK	4
15	324748-860	CONSOLE, SF DYNA FNDR SHFT	1
16	58235-860	CONSOLE, REAR COVER	1
17	985346	SCREW, 1/4-20X .80 WAHNTAP	15
18	320486-860	DASH, SF NOMA DYNA STYLING	1
19	985338	SCREW, 1/4-20X .80 WAHNTAP	4
20	50352	NUT, 1/4-20 WDFLLK TOPLOCK	2
21	8482	BOLT, .875X .186 HSH 6/16-18	2
22	120394	WASHER, FLAT, 408X .81X.065	2
23	120393	WASHER, FLAT, 344X .89X.065	2
24	1499	NUT, 5/16-18 REGHEXCTRLK	2
25	67159	LATCH, 3/4WDX.047 ASSY HOOD	2
26	53446	5/16-18 HOOD LATCH	2
27	138588	WASHER, REGINTLK.320X.61X.03	2
28	45174	NUT, 5/16-18 HEXWDFLLK WHIZ	2
29	314538-860	HOOD SF	1
30	325401	GRILLE G17	1
31	274872	SCREW, 1/4-20X .80 WAHHC	4
32	120392	WASHER, FLAT, 281X .83X.065	4
33	1502	NUT, 1/4-20 REGHEXCTRLK	4
34	36149	BOLT, 3/75X .500 HSH 5/16-18	2
35	1498	NUT, 5/16-18 REGHEXCTRLK	2
36	302333	LENS, SMOKED W/TAB NO LOGO	1
37	57786	SCREW, #8 X .50 PLASTITEN LO	4
38	52151	EDGING (78-47468) WIDE BLK	25.0
39	311094	LANYARD, HOOD 11.78LG H15 VAND	1
40	180020	SCREW, 1/4-20X .75 HHC	1
41	120392	WASHER, FLAT, 281X .83X.065	1
42	1502	NUT, 1/4-20 REGHEXCTRLK	1
43	58367-860	PLATE, SEAT F5 SF LF	1
44	20507	BOLT, 437X .186 HSH 6/16-18	2
45	1499	NUT, 5/16-18 REGHEXCTRLK	2
46	330483	SPRING, SEAT 1.500DX2.25LG	2
47	120392	WASHER, FLAT, 281X .83X.065	2
48	936346	SCREW, 1/4-20X .80 WAHNTAP	2
49	A	ASM FENDER F-5 SF B.O.F./O.F.	1
49-1	332423-860	FENDER, F-5 SF B.O.F./O.F.	1
49-2	9239	CLEVIS	1
49-3	439455	SCREW, 5/16-18X .56PHNMA BKPH	1
49-4	301841	WASHER, 344DX1.500X.09 CU	1
49-5	120378	NUT, 5/16-18 SQ	1
55	985346	SCREW, 1/4-20X .80 WAHNTAP	1
56	180081	SCREW, 5/16-18X1.25 HHC	2
57	446383	WASHER, FLAT, 375X .89X.062	12
58	85273	NUT, 5/16-18 HXWDFLLK	2
59	55023	TRIM, 77.5" BLACK NARROW	77.5
62	53446	PIN, 5/16-18 HOOD LATCH	2
63	271184	NUT, 5/16-18 HEXKEPS	2
66	50653	GUIDE, BELT	1
67	41629	NUT, 3/8-16 HXCTRLKIAM	1
68	271190	NUT, 3/8-16 HEXKEPS	1
69	333247	PARTS MANUAL	1
70	323000	OPERATOR'S MANUAL (ENGLISH)	1
71	323207	OPERATOR'S MANUAL (FRENCH)	1
72	823208	OPERATOR'S MANUAL (GERMAN)	1

ORDER INDIVIDUAL PARTS

Use of this manual is limited to the specific model and year indicated on the title page.

REPAIR PARTS



NOTE: ALWAYS USE ORIGINAL EQUIPMENT PARTS. Use of service/replacement parts other than original equipment parts may void your warranty.

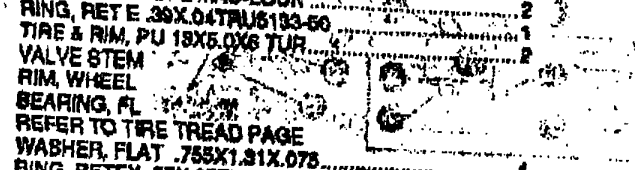
ALL UNNUMBERED ITEMS ARE INTERCHANGEABLE WITH OPPOSITE SIDE

326426 G

STEERING ASSEMBLY

KEY#	PART#	DESCRIPTION	QTY
1	A	AXLE FRONT ASSY, LONG	1
1-1	312280	FRONT AXLE ASSY	1
1-2	50546	BRNG, FL .759IDX1.002ODX .75	4
1-3	310368	SPINDLE ASSY, RH LONG	1
1-4	36825	RING, RETEX .57X.05TRUS133-75	1
1-5	310367	SPINDLE ASSY, LH LONG	1
1-6	327619-853	ARM ASSY 4WS FRNT STRNG	1
1-7	454565	PIN, SPRING.250DIA X1.25LG HVPL	1
2	302688	SF ASSY, TIE ROD 19/31 LG	1
3	180124	SCREW, 3/8-16X1.25 HHC	2
4	120382	WASHER, REGSPTLK.393X.66X.10	2
5	1499	NUT, 3/8-16 REGHXCTRLK	2
6	324752	GEAR, SECTOR HT	1
7	330789	PLATE, SECT 4WS	2
8	380021	BUSHING, SECTOR GEAR 4WS	1
9	181843	SCREW, 3/8-24X1.50 HHC	1
10	845	WASHER, FLAT .390X1.25X.118	2
11	412348	NUT, 3/8-24 HXCTRLK	1
12	328805	DRAG LINK ASSY 17.50LG	1
12-1	57159	BALL JOINT 3/8 THD SHORT STUD	2
12-2	124925	NUT, 3/8-24 REGHEXJAM	2
12-3	56180	DRAG LINK	1
13	120382	WASHER, REGSPTLK.393X.66X.10	2
14	120369	NUT, 3/8-24 REGHEX	2
15	327834	LF SHAFT, PIN-STEER BLK	1
16	325892	BRNG, FL .50 IDX1.870ODX	1
17	326505	SCREW, 1/4-20X.75 (TO 30-35 FT#)	2
18	46931	NUT, 1/4-20 WDFL MAC-LOCK	2
19	20864	RING, RET E .39X.04TRUS133-50	1
20	41059	TIRE & RIM, PU 18X5.0X6 TUR	2
20-1	24167	VALVE STEM	1
20-2	39937	RIM, WHEEL	1
20-3	314416	BEARING, FL	1
23		REFER TO TIRE TREAD PAGE	
24	642	WASHER, FLAT .755X1.31X.075	4
25	36825	RING, RETEX .57X.05TRUS133-75	2
26	40394	HUB CAP, 1.500ID X 78LG	2
27	180124	SCREW, 3/8-16X1.25 HHC	1
28	120394	WASHER, FLAT .409X.81X.065	2
29	45171	NUT, 3/8-16 HWDFL WHIZ-LOOK	1

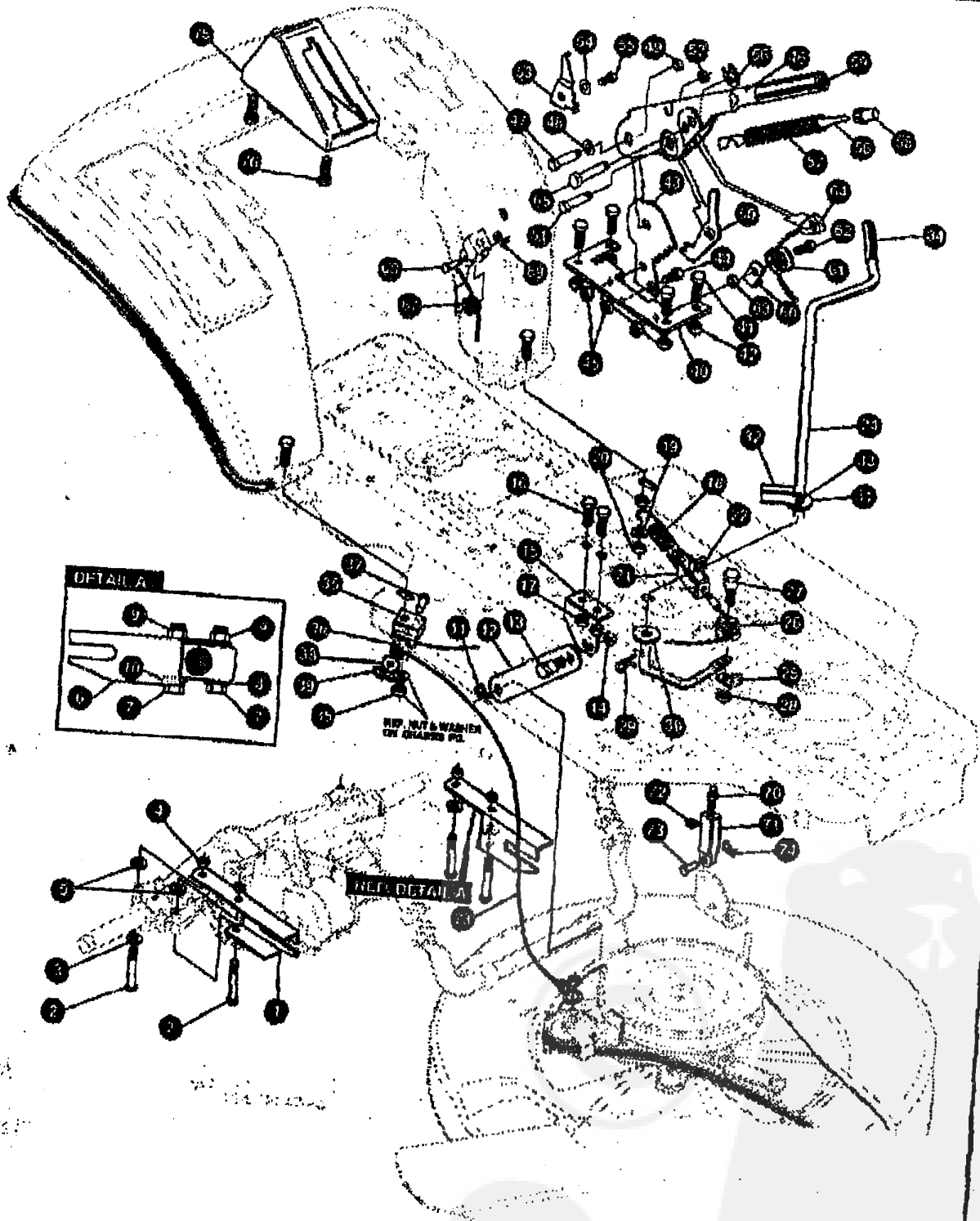
* ORDER INDIVIDUAL PARTS



ALL INFORMATION IS UNCLASSIFIED

NOTICE: THIS DOCUMENT CONTAINS INFORMATION OF A CONFIDENTIAL NATURE. IT IS TO BE KEPT SECRET AND NOT DISCLOSED TO THE PUBLIC OR TO ANY OTHER PERSON WITHOUT THE EXPRESS WRITTEN PERMISSION OF THE OFFICE OF THE SECRETARY OF DEFENSE.

REPAIR PARTS



ALWAYS USE ORIGINAL EQUIPMENT
 Use of service/replacement parts other than
 equipment parts may void your warranty.

**ALL UNNUMBERED
 ITEMS ARE INTERCHANGEABLE
 WITH OPPOSITE SIDE**

331231 A

ID:

MAR 10 '00

9:43 No.003 P.10

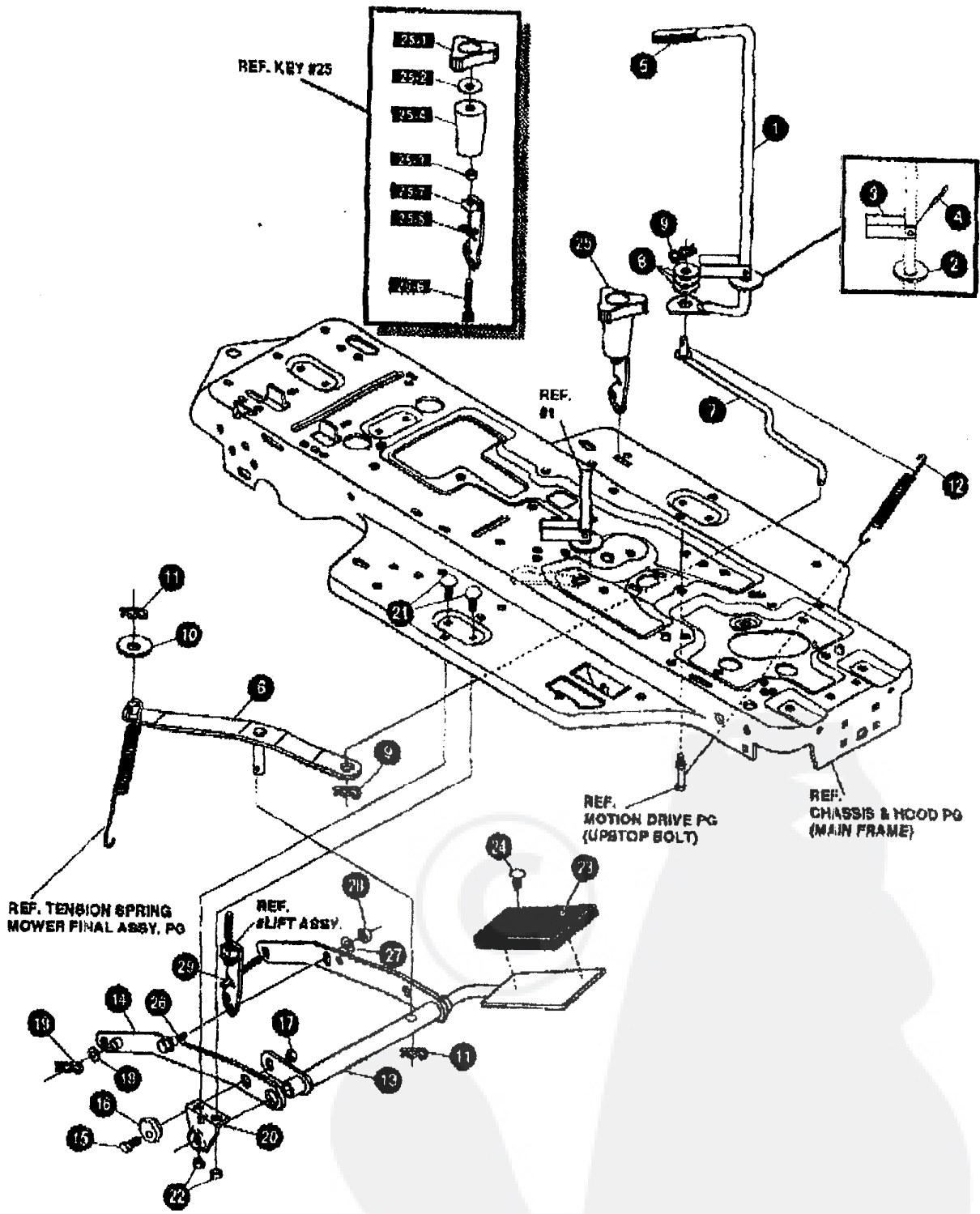
E3554-130 REPAIR PARTS

KEY#	PART#	DESCRIPTION	QTY
1		TRANSAXLE FOOTE 4360-5	1
2	303109	PULLEY, 8.6 OD V4L T/A	1
3	50795	KEY, HI-PRO 606 .76DIA X 1.87WD	1
4	22053	RING, RETEX .58X.035TRU6100-62	1
5	54758	BELT, V 4L 82.00 SF DRIVE	1
6	326815-853	BRACKET, TRANSAXLE	2
7	180077	SCREW, 5/16-18X .75 HHC	4
8	1498	NUT, 5/16-18 REGHEXCTRLK	8
9	180091	SCREW, 5/16-18X2.50 HHC	4
10	120393	WASHER, FLAT .344X .89X.065	4
11	1498	NUT, 5/16-18 REGHEXCTRLK	4
12	323126	BRKT, STABILIZER	1
13	95498	SCREW, 5/16-18X .75 WAHHTAP	1
14	120638	WASHER, HVSPTLK .328X.80X.09	1
15	180079	SCREW, 5/16-18X1.00 HHC	1
16	138485	WASHER, EXLK .320X.61X.03	1
17	1498	NUT, 5/16-18 REGHEXCTRLK	1
18	331393	BRACKET, SHIFT F4360	1
19	56255	SCREW, 1/4-28X .75 NYLHHC	1
20	57157	WASHER, .750X.250 SP-TRANSAXLE	1
21	331800	SHIFT LEVER (DANA) Z-PL	1
22	137185	PIN, COTTER .125 DIA X 1.00LG	1
23	55514	KNOB, ROUND 1.50 DIA	1
24	49896	BELT GUIDE	1
25	271184	NUT, 5/16-18 HEXKEPS	1
26	120393	WASHER, FLAT .344X .89X.065	2
27	1498	NUT, 5/16-18 REGHEXCTRLK	1
28	331836	ASSY, PEDAL, BRAKE, CLUTCH	1
29	319676	PIN, CLEVIS .500DX4.87LG	1
30	331972	SPACER, SLEV .63 X .62X1.240	1
31	56180	PIN, HAIR .091 DIA X 1.62LG	1
32	48761	PAD, CLUTCH/BRAKE PEDAL	1
33	321969	IDLER ARM BRKT TRACTION	1
34	329989	BOLT, .625X .136 HSSH 5/16-18	1
36	45602	WASHER, FLAT .333X .87X.110	1
37	1498	NUT, 5/16-18 REGHEXCTRLK	1
38	39859	RETAINER, BELT	1
39	35374	PULLEY, IDLER V4L 3.06X .62	1
40	45892	BOLT, 3/8-16X1.50 CARRSN	1
41	1498	NUT, 3/8-16 REGHXOTRLK	1
42	333175	CLUTCH ROD ASSY, .268 DIA 8.82	1
43	326780	SPRING, 3/8ODX2.18 X.055 TENSION	1
44	323127	BRKT, BRAKE ROD	1
45	20507	BOLT, .437X .156 HSSH 5/16-18	1
47	1498	NUT, 5/16-18 REGHEXCTRLK	1
48	323222	BRAKE ROD, RIDER	1
49	120393	WASHER, FLAT .344X .89X.065	1
50	121222	PIN, COTTER .090 DIA X .75LG	1
51	271184	NUT, 5/16-18 HEXKEPS	1
52	1498	NUT, 5/16-18 REGHEXCTRLK	1
53	327867	SPRING, 3/4 ODX7.75X.091 TENSION	1
54	35410	SPRING .071 X .62 X 4.37	1
55	326363	TIRE & RIM 20X8.00-8 WHITE 888	2
		SEE TIRE TREAD PAGE	
55-1	24167	VALVE STEM	2
55-2	326362	HUB	2
59	57479	SPACER, SLEV .75 X1.25X1.32	2
60	62928	KEY, SQUARE .187SQX2.25LG	2
61	942	WASHER, FLAT .755X1.81X.076	4
62	42815	WASHER, FLAT .755X1.53X.07	2
63	36625	RING, RETEX .57X.05TRU6133-75	2
64	40394	HUB CAP, 1.50OD X 7/8LG	2
65	5950	WASHER, FLAT .605X .89X.13	4
66	2968	WASHER, FLAT .504X .75X.059	4
68	327917	SCREW, 5/16-18X1.50HHCFT	4
69	73787	WASHER, FLAT .330X .75X.1793	4
70	180022	SCREW, 1/4-20X1.00 HHC	1
71	120380	WASHER, REGSPTLK .263X.49X.07	1
72	120375	NUT, 1/4-20 REGHEX	1

* CONTACT YOUR NEAREST TRANSAXLE DEALER FOR PARTS AND SERVICE.

E3554-130 REPAIR PARTS

MOWER SUSPENSION ASSEMBLY



ALL UNNUMBERED ITEMS ARE INTERCHANGEABLE WITH OPPOSITE SIDE

NOTE: ALWAYS USE ORIGINAL EQUIPMENT PARTS. Use of service/replacement parts other than original equipment parts may void your warranty.

331233B

ID:

MAR 10'00

9:44 No.003 P.12

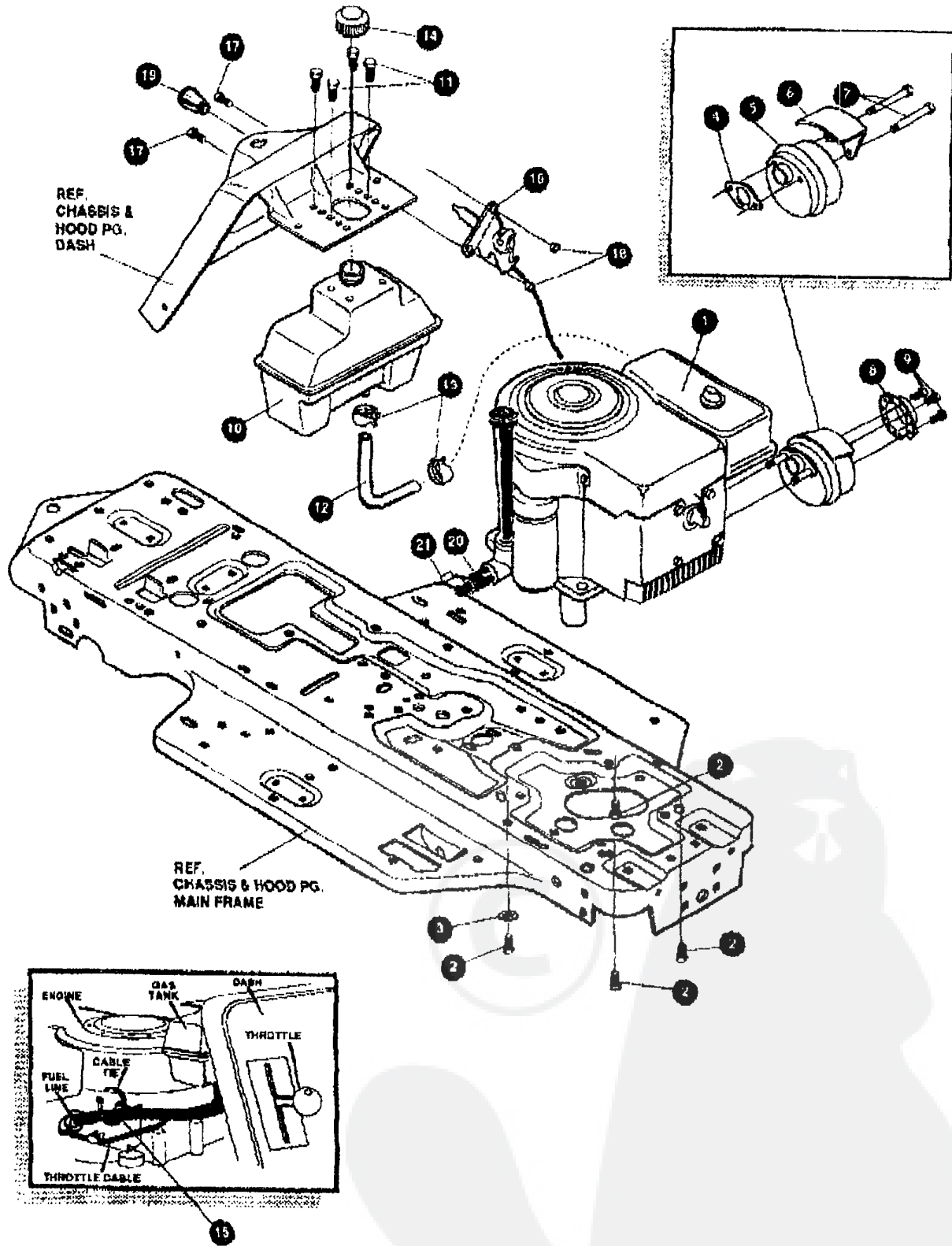
KEY#	PART#	DESCRIPTION	QTY
1	325591	LEVER,CLUTCH RH PTO	1
2	22265	WASHER, FLAT .515X1.38X.119PL	1
3	305225	STOP, PTO ENGAGE	1
4	326386	PIN, SPRING.187DIA X1.18LG HD	1
5	55514	KNOB, ROUND 1.50DIA OR GRIP	1
6	325587-853	STRAP ASSY, PTO BELCRANK	1
7	326590	ROD, BELCRANK LINK	1
8	274517	WASHER, FLAT 406X.73X.063	3
9	8260	PIN, HAIR .091 DIA X1.66LG	2
10	26210	WASHER, FLAT .386X1.25X.09HT	1
11	8260	PIN, HAIR .091 DIA X1.66LG	2
12	325802	SPRING, .68X7.75X.0897TENSION	1
13	326533-853	LIFT ASSY,LH PEDAL-LIFT	1
14	325130-853	LIFT ASSY, RH SF	1
15	180079	SCREW, 5/16-18X1.00 HHC	1
16	68247	NUT, ADJUST	1
17	1498	NUT, 5/16-18 REGHEXCTRK	1
18	417008	WASHER, FLAT .531X1.06X.063	2
19	8260	PIN, HAIR .091 DIA X1.66LG	2
20	326495-853	BRACKET, REAR HANG SUSP	1
21	330967	BOLT, 5/16-18X1.00 CAR	4
22	1498	NUT, 5/16-18 REGHEXCTRK	4
23	328596	PAD, LIFT PEDAL	1
24	309235	FASTENER, RATCHET BLACK	1
25	327934	ASSY LATCH SUB MOWER	1
25-1	325860	KNOB, FLUTED TORQUE BLACK	1
25-2	448383	WASHER, FLAT .375X.88X.092	1
25-3	45905	NUT, 3/8-16 HWDFLK MACK	1
25-4	326113	COVER, TOP SLEEVE PEDAL-LIFT	1
25-5	324883	WASHER, RUBBER 3/8X.7580	1
25-6	325832	BOLT, SUB MOWER LATCH	1
25-7	325831-853	LATCH, SUB MOWER	1
26	25086	BOLT, .500X .375 HSSH 5/16-18	1
27	4230	WASHER, FLAT .328X.68X.104	1
28	1498	NUT, 5/16-18 REGHEXCTRK	1
29	35410	SPRING .071 X .62 X 4.37	1

E3534-130 REPAIR PARTS

MAR 10 '00

9:45 No.003 P.13

ENGINE AND CONTROL



ALL UNNUMBERED ITEMS ARE INTERCHANGEABLE WITH OPPOSITE SIDE

NOTE: ALWAYS USE ORIGINAL EQUIPMENT PARTS. Use of service/replacement parts other than original equipment parts may void your warranty.

3271400

ID:

MAR 10'00

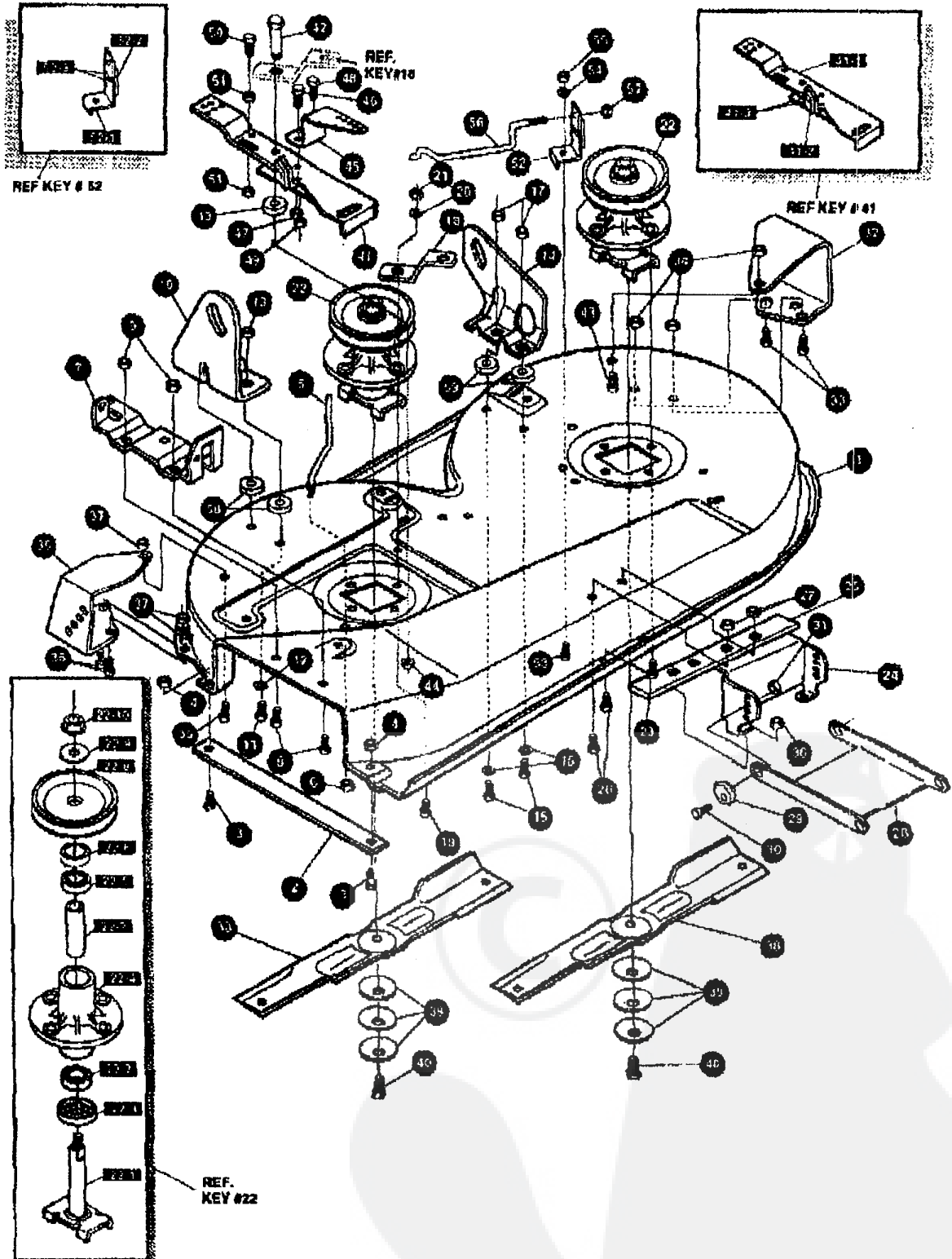
9:45 No.003 P.14

E3554-130 REPAIR PARTS

KEY#	PART#	DESCRIPTION	QTY
1	ENGINE	12-12.5HP BS IC DUAL(SEE ENGINE MANUAL)	1
2	50947	SCREW, 3/8-16X1.25 WAHHTAPBLK	4
3	138488	WASHER, EXLK 384X.69X.04	1
4	48708	GASKET, MUFFLER	1
5	57908	MUFFLER-DQM/EXP ROUND	1
6	54787	SHIELD, HEAT.FOR ROUND MUFFLER.....	1
7	54980	SCREW, 5/16-18X3.50 HHC	2
8	323423	DEFLECTOR, MUFFLER PARTIAL	1
9	35287	SCREW, #8-32X .38 HHWATAP	3
10	314989	TANK, FUEL 1 GAL CLEAR	1
11	300903	SCREW, .25X.75X.51HHWAPLASTITE	4
12	42258	TUBING, .25X.50X BULK GAS LINE	12.0
13	47345	CLAMP, HOSE SCREW TYPE	2
14	46704	CAP, GAS 1-1/2-7 THD BLK	1
15	57444	TIE, CABLE BLACK NYLON 5.62L	1
16	320031	THROTTLE CONTROL	1
17	274707	SCREW, 10-24X .50 WAHMA	2
18	308450	NUT, #10-24 HXHDNYLK	2
19	50807	KNOB, ROUND THROTTLE BLACK	1
20	325547	OIL DRAIN VALVE ASSEMBLY	1
21	327422	CAP, OIL DRAIN VALVE ASM, YELLOW	1

E3554-130 REPAIR PARTS

PRE-PAINTED DECK ASSEMBLY



ALL UNNUMBERED ITEMS ARE INTERCHANGEABLE WITH OPPOSITE SIDE

NOTE: ALWAYS USE ORIGINAL EQUIPMENT PARTS. Use of service/replacement parts other than original equipment parts may void your warranty.

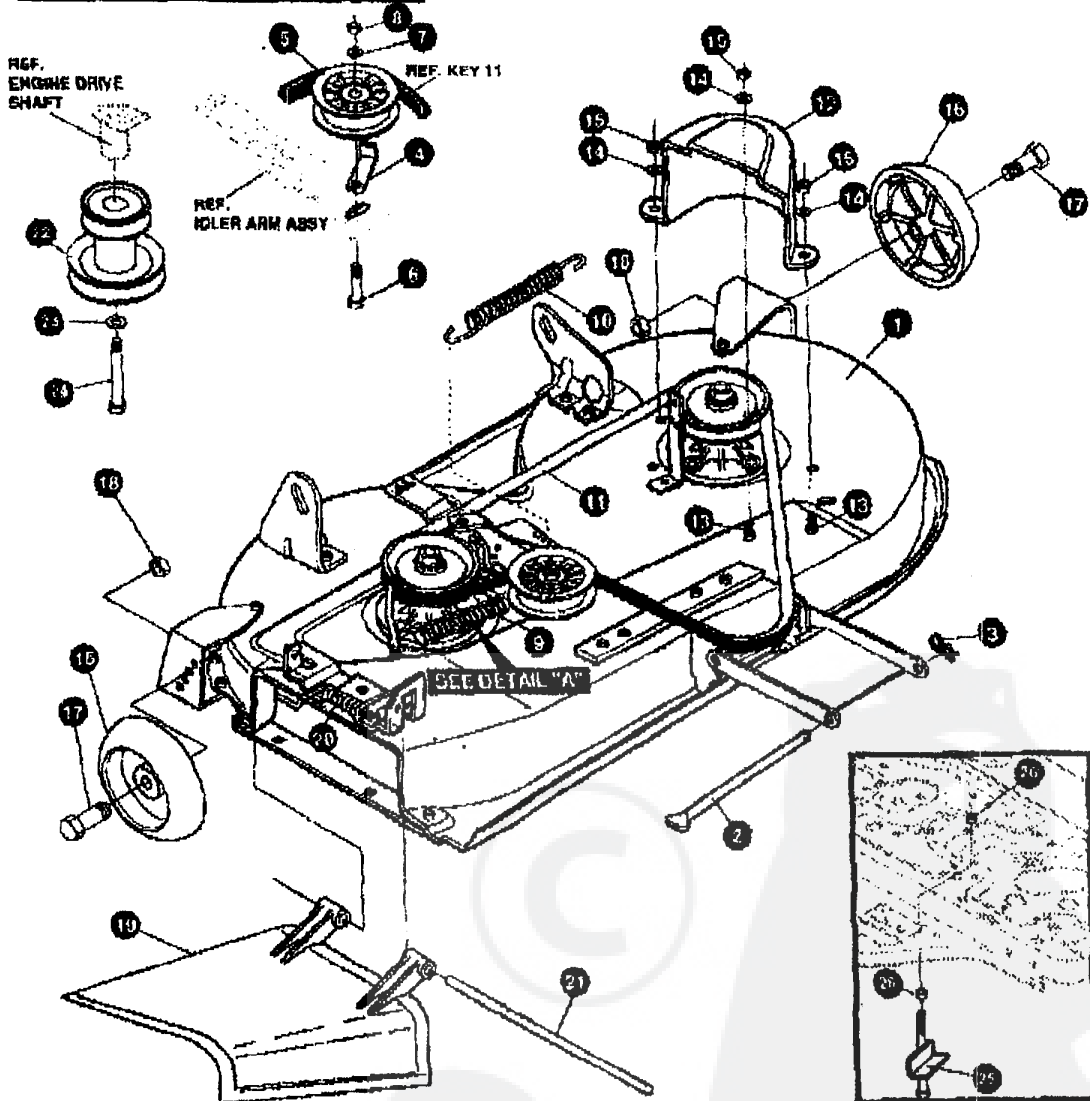
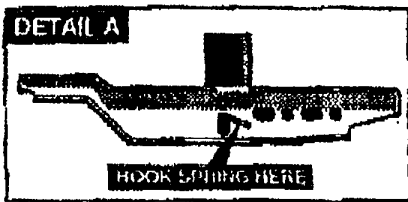
3332778

E3554-130 REPAIR PARTS

KEY#	PART#	DESCRIPTION	QTY
1	325106-853	38" DECK KIT	1
2	326296-853	BAR, SKID	1
3	120230	BOLT, 5/16-18X1.25 CARRLN	2
4	271184	NUT, 5/16-18 HEXKEPS	2
5	57318	GUIDE, BELT 5/16-18 THD	1
6	1498	NUT, 5/16-18 REGHEXOTRLK	1
7	313929	BRACKET, CHUTE BLK 853	1
8	180073	SCREW, 5/16-18X .50 HHC	2
9	1498	NUT, 5/16-18 REGHEXOTRLK	2
10	313929	LIFT BRKT, REAR RH BLK 853	1
11	180081	SCREW, 5/16-18X1.25 HHC	2
12	120393	WASHER, FLAT .344X .69X.065	2
13	1498	NUT, 5/16-18 REGHEXOTRLK	2
15	180081	SCREW, 5/16-18X1.25 HHC	2
16	120393	WASHER, FLAT .344X .69X.065	2
17	1498	NUT, 5/16-18 REGHEXOTRLK	2
18	315302-853	BRACKET, IDLER SUPPORT	1
19	300345	SCREW, 5/16-18X1.98 WAHTAP	1
20	120393	WASHER, FLAT .344X .69X.065	1
21	1498	NUT, 5/16-18 REGHEXOTRLK	1
22	56424-853	QUILL ASSY, 36/39/40/43	2
22-1	56425	SHAFT/SADDLE 36"	1
22-2	49562	BRNG, BALL 6203-2AA(SEALS)-C3	1
22-3	50818	DUST SHIELD	1
22-4	65647	QUILL CASTING (1048)	1
22-5	49562	BRNG, BALL 6203-2AA(SEALS)-C3	1
22-6	50818	SPACER, SLEV .669X .88X3.797	1
22-7	51448	SPACER, SLEV .672X .93X 436PM	1
22-8	313898	PULLEY ASSY	1
22-9	56365	WASHER, SPECIAL QUILL	1
22-10	1282	NUT, 7/16-20 WDFLLK	1
23	50834	SCREW, 5/16-18X .88 WAHTAP	8
24	312526	LIFT SUPPORT FRONT DECK	1
25	328155-853	PLATE-MOUNTING	1
26	180077	SCREW, 5/16-18X .75 HHC	4
27	1498	NUT, 5/16-18 REGHEXOTRLK	4
28	58305-853	BRACKET, LINK DECK FRONT	1
29	58247	NUT, ADJUST	2
30	180078	SCREW, 5/16-18X1.00 HHC	2
31	1498	NUT, 5/16-18 REGHEXOTRLK	2
32	312477	WHEEL BRKT, LH BLK	1
33	180077	SCREW, 5/16-18X .75 HHC	3
34	1498	NUT, 5/16-18 REGHEXOTRLK	3
35	300102-853	WHEEL BRKT, RH	1
36	180077	SCREW, 5/16-18X .75 HHC	3
37	1498	NUT, 5/16-18 REGHEXOTRLK	3
38	303069	BLADE, 18.5 STD-LIFT BLK853	2
39	2453	WASHER, 39IDX1.25DX.07 BELLVIL	6
40	39573	SCREW, 3/8-24X1.00 NYLHHC	2
41	300491-853	IDLER ARM ASSEMBLY	1
41-1	300490-853	IDLER ARM 38.39.39.8459D	1
41-2	306978	BRAKE PAD - HARD - 232AF	1
41-3	41601	RIVET, OVSET .187DIA X .50LG ST	2
42	300180	BOLT, .60 X1.88 HSHX 3/8-16	1
43	596416	WASHER, FLAT .391X1.00X.125	1
44	45171	NUT, 3/8-16 HWDFL WHIZ-LOCK	1
45	326249-853	BRACKET, EXTENSION IDLER	1
46	180077	SCREW, 5/16-18X .75 HHC	1
47	1498	NUT, 5/16-18 REGHEXOTRLK	1
48	120854	SCREW, 1/4-20X .63 HHC	1
49	1802	NUT, 1/4-20 REGHEXOTRLK	1
50	121954	SCREW, 1/4-20X2.00 HHC	1
51	271172	NUT, 1/4-20 REGHEXKEPS	2
52	303247-853	ASSY, BLADE BRAKE 38.39.45	1
52-1	303246	BRAKE ARM	1
52-2	308973	BRAKE PAD - HARD - 232AF	1
52-3	135624	RIVET, TRSET .185DIA X .41LG ST	2
53	180077	SCREW, 5/16-18X .75 HHC	1
54	120393	WASHER, FLAT .344X .69X.065	1
55	1498	NUT, 5/16-18 REGHEXOTRLK	1
56	315306	ROD, BRAKE, 14.7 89" DECK ZINC	1
57	1502	NUT, 1/4-20 REGHEXOTRLK	1
58	314702	SPACER, SLEV .344X1.00X 500PM	2
59	314702	SPACER, SLEV .344X1.00X 500PM	2

E3554-130 REPAIR PARTS

PAINTED DECK ASSEMBLY



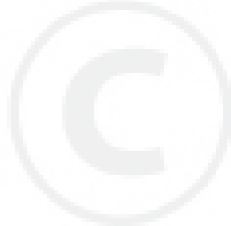
ALL UNNUMBERED ITEMS ARE INTERCHANGEABLE WITH OPPOSITE SIDE

NOTE: ALWAYS USE ORIGINAL EQUIPMENT PARTS. Use of service/replacement parts other than original equipment parts may void your warranty.

333278A

E3554-130 REPAIR PARTS

KEY#	PART#	DESCRIPTION	QTY
1	329456	ABM DECK 38 SUS SF/IR ASST	1
2	58306	ROD, DECK HITCH Z-PL 953	1
3	8260	PIN, HAIR .091 DIA X 1 66LG	1
4	1346	RETAINER, BELT	1
5	310326	PULLEY, IDLER BFF 4.00 WIDE FL	1
6	57325	BOLT, 3/8-16X2.00 CARRSN	1
7	120382	WASHER, REGSPTLK 393X.68X 10	1
8	120377	NUT, 3/8-16 REGHX	1
9	322054	SPRING, .75X9.4X.105 TENSION	1
10	326256	SPRING, .75X10.0X.105 TENSION	1
11	300680	BELT, V 5L 77.75 KEVLAR	1
12	328257	GUARD, BELT LH PLASTIC	1
13	180377	SCREW, 5/16-18X.75 RHC	3
14	120393	WASHER, FLAT .344X.69X.065	3
15	1498	NUT, 5/16-18 REGHEXCTRLK	3
18	302611	GAUGE WHEEL, EURO 6.000DX1.38WD	2
17	23763	BOLT, 500X1.390 HHSH 3/8-16	2
16	1499	NUT, 3/8-16 REGHXCTRLK	2
19	57818	CHUTE DEFLECTOR 36" 39" 45"	1
20	314975	SPRING, TORSION CHUTE DEFLECTOR	1
21	57317	PIVOT ROD, CHUTE	1
22	328034	PULLEY, ENG V3L 4.00 OFFSET	1
23	120383	WASHER, REGSPTLK.459X.78X.12	1
24	433148	SCREW, 7/16-20X4.25 HHG BLK PH	1
25	328630	ASSEMBLY UPSTOP W/HOSE PLATE	1
26	1498	NUT, 3/8-16 REGHXCTRLK	2



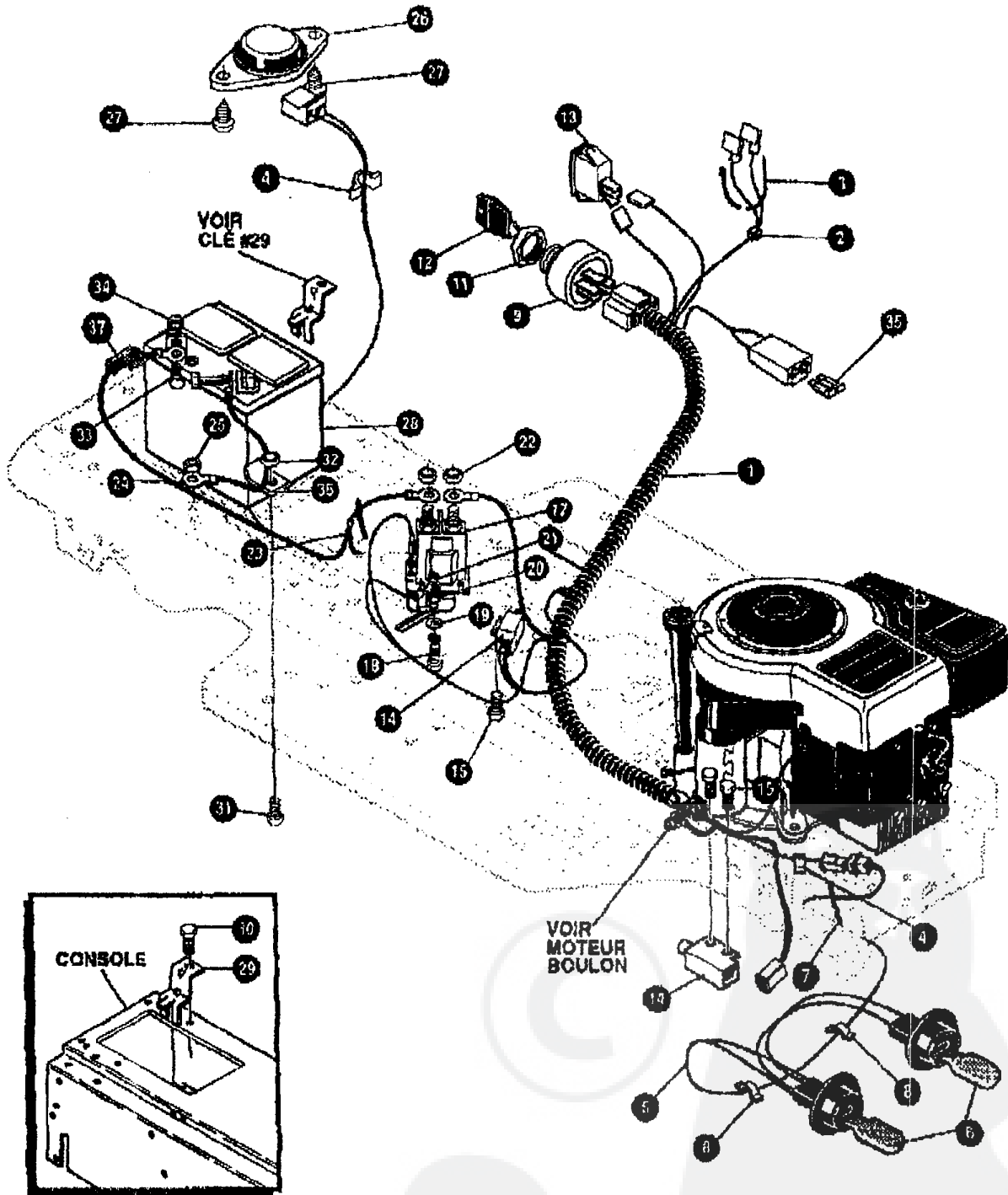
ID:

MAR 10'00

9:48 No.003 P.19

E3554-130 REPAIR PARTS

ELECTRICAL ASSEMBLY



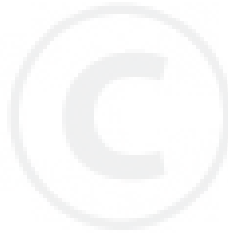
ALL UNNUMBERED ITEMS ARE INTERCHANGEABLE WITH OPPOSITE SIDE

NOTE: ALWAYS USE ORIGINAL EQUIPMENT PARTS. Use of service/replacement parts other than original equipment parts may void your warranty.

333000A

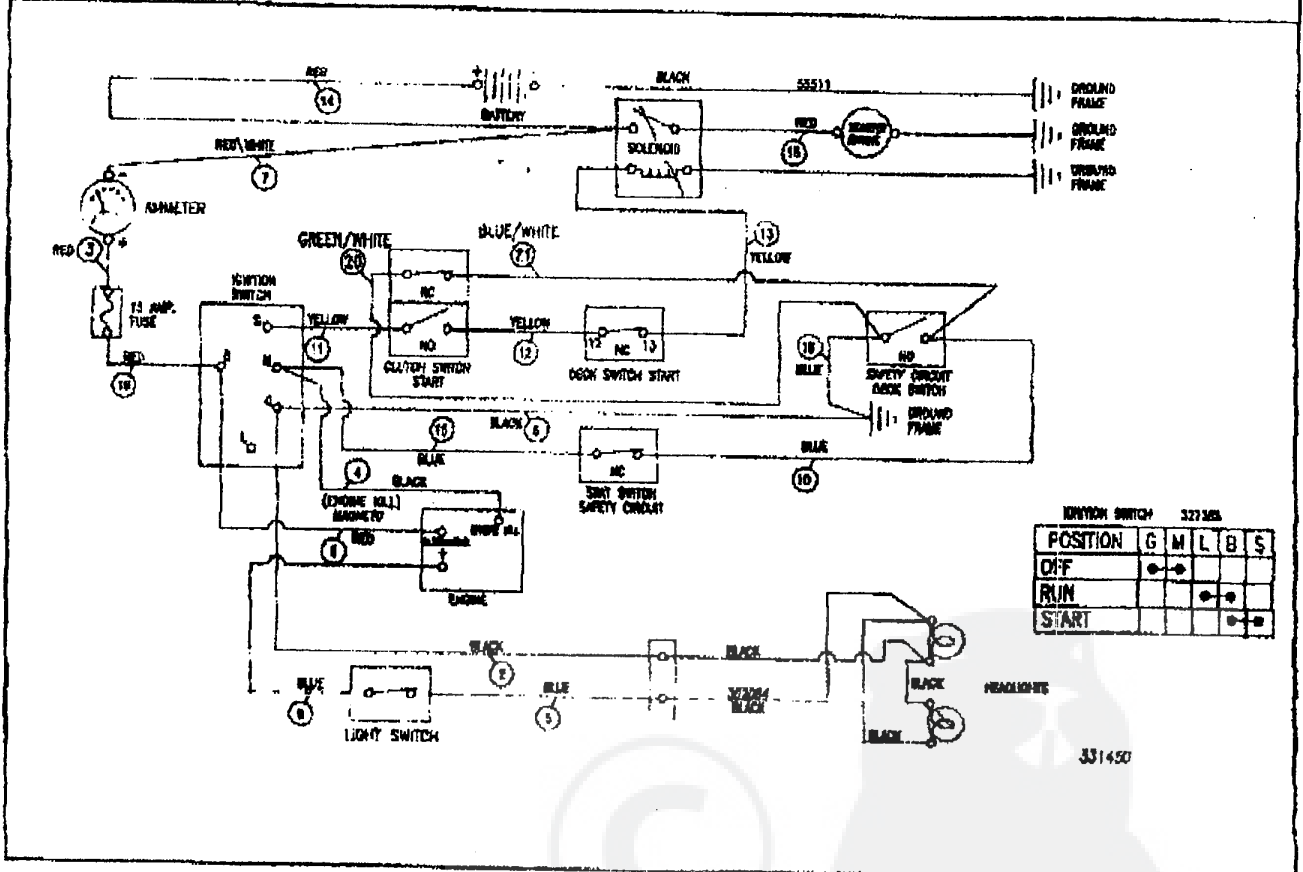
E3554-130 REPAIR PARTS

KEY#	PART#	DESCRIPTION	QTY
1	331450	WIRE HARNESS	1
2	322298	SPLICER	1
3	57444	TIE, CABLE BLACK NYLON 5.62L	1
4	41482	PRESS CLIP 1.38DLG 255ID	2
5	303064	ASSY,LIGHT WIRE-1/4 TURN	1
6	52572	BULB, HEADLAMP	2
7	57444	TIE, CABLE BLACK NYLON 5.62L	1
8	41482	PRESS CLIP 1.38DLG 255ID	2
9	327355	SWITCH-IGN.(AFTER FIRE) 3 POSN	1
11	327352	NUT, 5/8-8 ACME DELTA FOR BOOT	1
12	327350	KEY, IGNITION	1
13	300334	LIGHT SWITCH ON/OFF PANEL MNT	1
14	57476	SWITCH,SCR MNT DP NC NO BLK	2
15	300302	SCREW, #10 X .50 HHTAPPST BLK	4
17	53718	SOLENOID	1
18	187745	SCREW, 1/4-20X .75 HXSEMMA	2
19	1084	WASHER, FLAT .281X1.00X.063PL	1



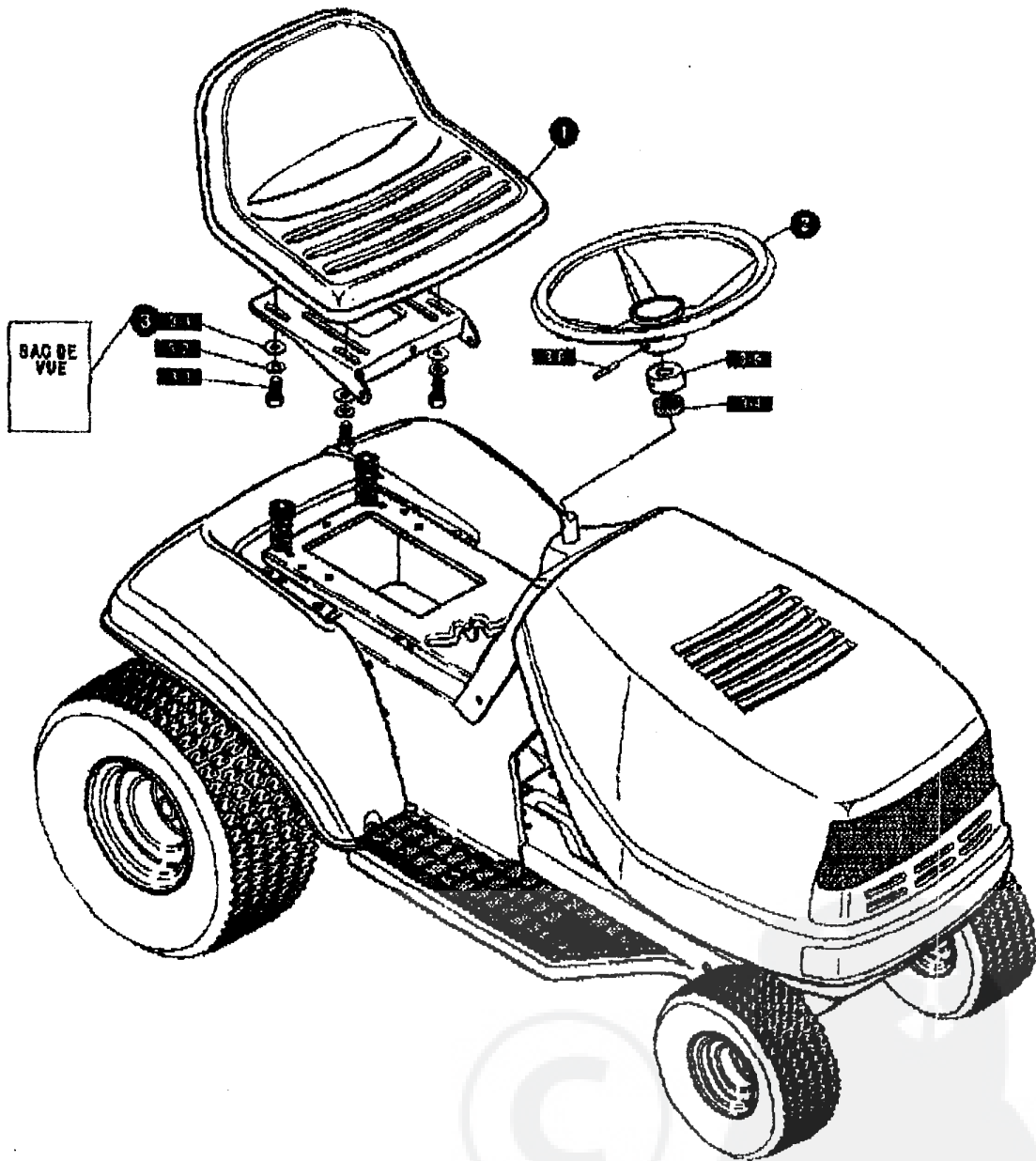
21	1002	NUT, 1/4-20 REGHEXC IHLK	2
22	271172	NUT, 1/4-20 REGHEXKEPS	1
23	57444	NUT, 5/16-24 HKEPS	2
24	55511	TIE, CABLE BLACK NYLON 5.62L	1
25	271184	WIRE, GROUND, 12.5"	1
26	57547	NUT, 5/16-18 HEXKEPS	1
27	160505	SWITCH, SEAT	1
28	302257	SCREW, 1/4-20X .38PHPNHMA	2
29	329175	BATTERY, 12V	1
30	995346	BATTERY BRACKET	1
31	187745	SCREW, 1/4-20X .50 WAHNTAP	1
32	1502	SCREW, 1/4-20X .75 HXSEMMA	1
33	180020	NUT, 1/4-20 REGHEXC IHLK	1
34	271172	SCREW, 1/4-20X .75 HHC	2
35	302031	NUT, 1/4-20 REGHEXKEPS	2
36	9149	FUSE SPADE TYPE 32V 15A	1
37	308201	BRKT, CABLE RETAINER	1
		INSULATOR, BATTERY BOOT EURO	1

SCHEMATIC WIRING



E3554-130 REPAIR PARTS

CUSTOMER ASSEMBLY

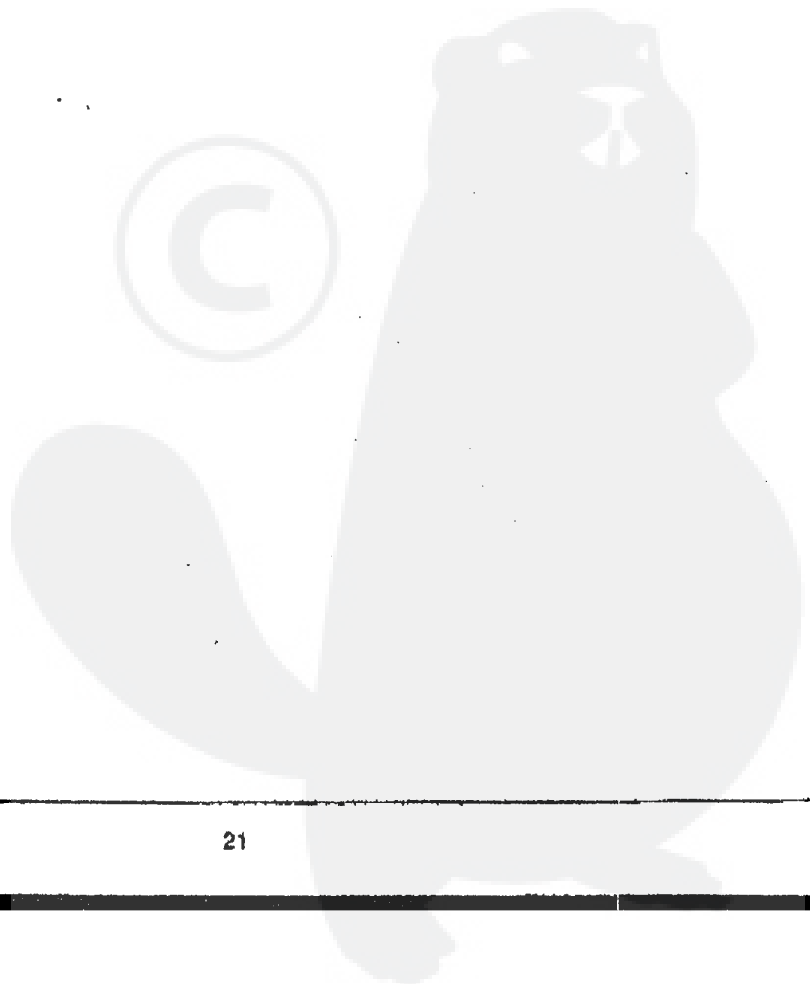
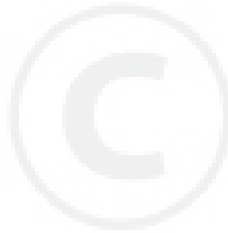


327405D

E3554-130 REPAIR PARTS

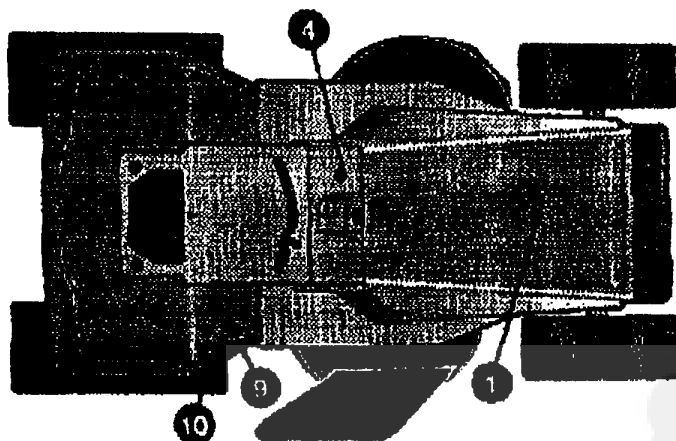
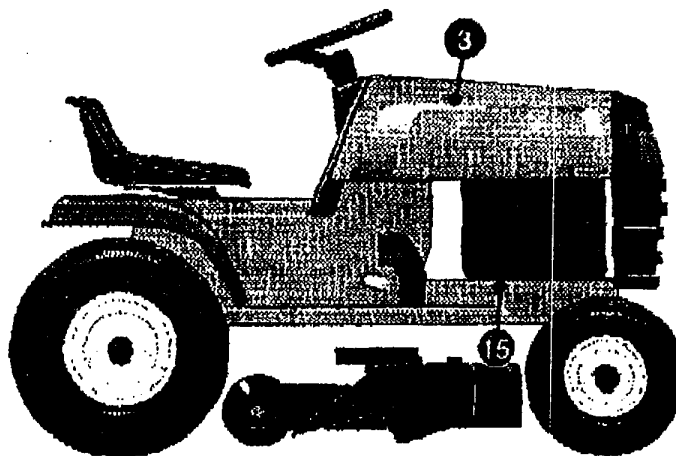
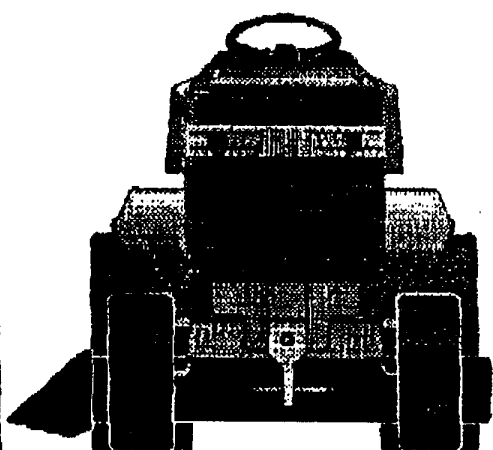
KEY#	PART#	DESCRIPTION	QTY
1	304314	SEAT, MICHIGAN W/SW HOLE	1
2	330510	STEERING WHEEL	1
3		PARTS BAG ASSY SEAT/STEER	1
1-1	120893	WASHER, FLAT 3/4X .68X .065	4
1-2	120638	WASHER, HVSP TLK 3/23X.60X .09	4
1-3	122007	SCREW, 5/16-18X .75 HHC	4
1-4	331322	COVER, STEERING SHAFT	1
1-5	301413	SPACER, STEERING SHAFT	1
1-8	456378	PIN, SPRING 250D/AX2.00LG HVPL	1
		BATTERY ACID PACK, 80 OZ	1

* MAY BE PURCHASED AT LOCAL HARDWARE STORES.

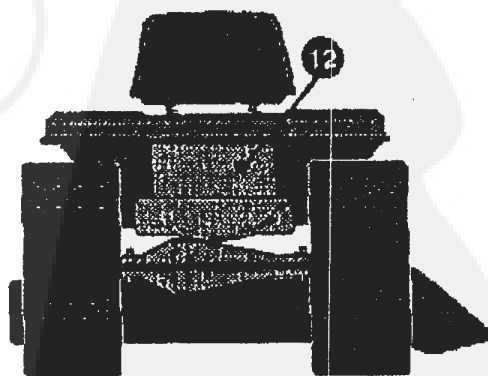
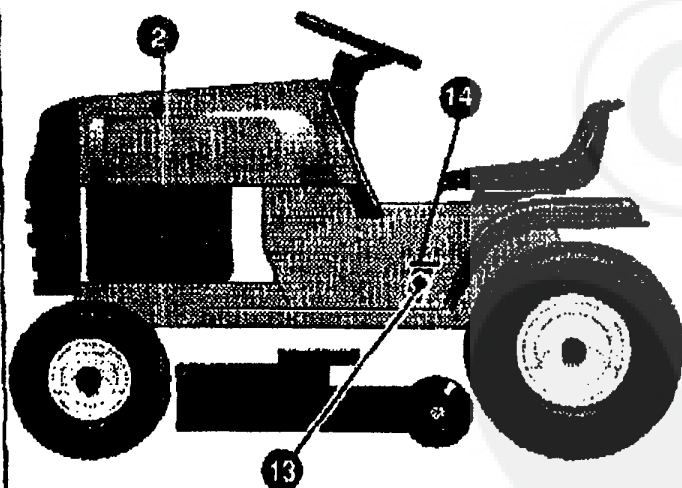
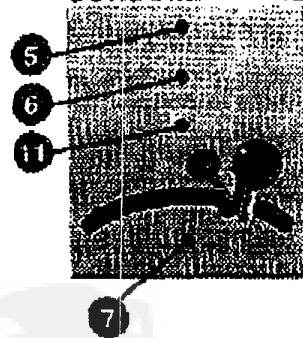


E3554-130 REPAIR PARTS

DIGALS



CONSOLE DETAIL



332398A

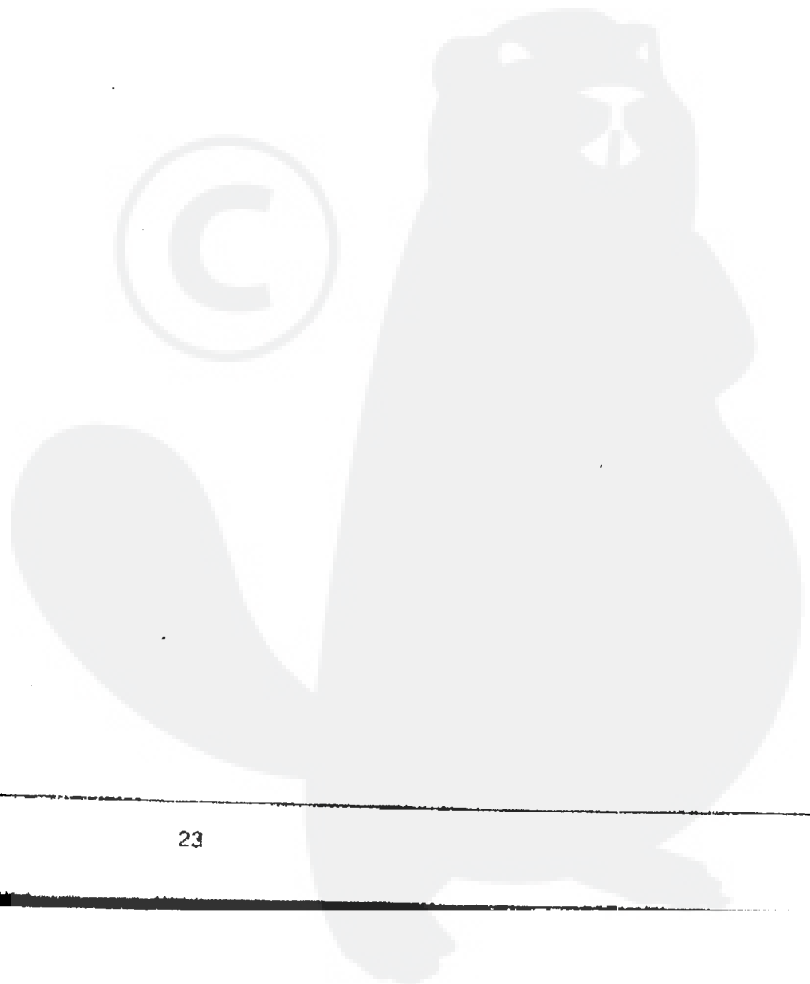
ID:

MAR 10'00

9:52 No.003 P.24

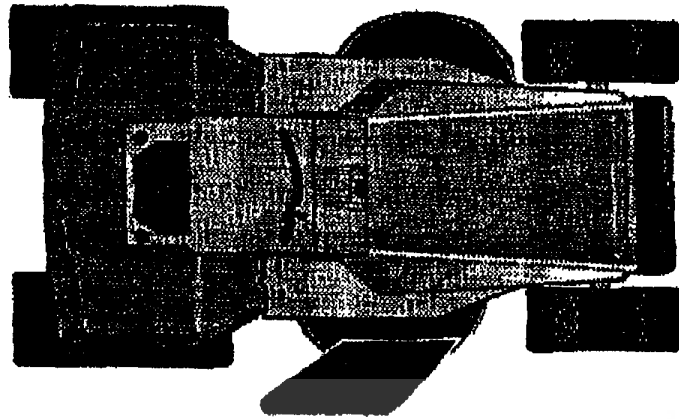
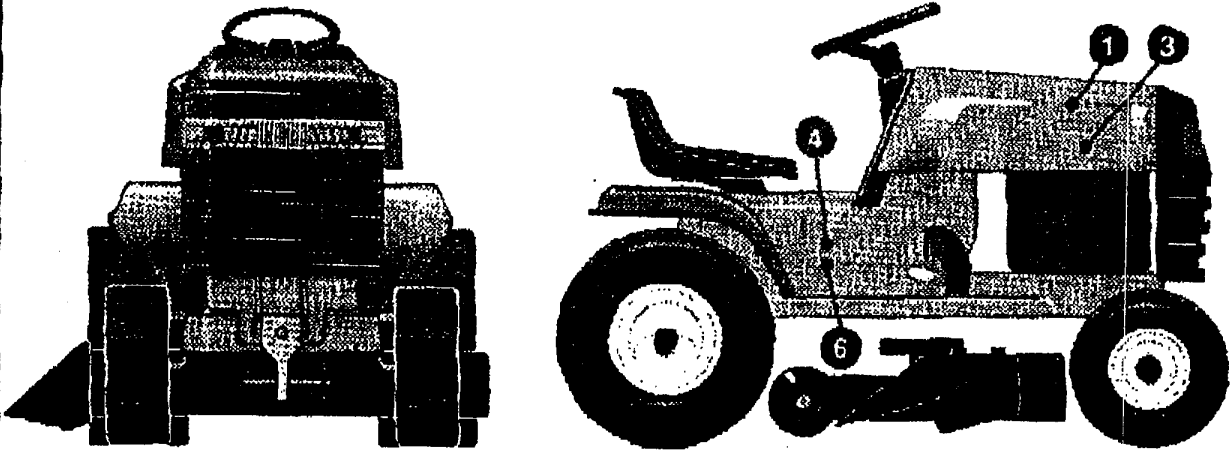
E3554-130 REPAIR PARTS

KEY #	PART #	DESCRIPTION	QTY.
1	55832	PAD, FOAM TOP HOOD	1
2	55833	PAD, FOAM HOOD SIDE LH	1
3	55834	PAD, FOAM HOOD SIDE RH	1
4	324989	DECAL DASH, DYNAMARK	1
5	69525	DECAL, INSTRUCT CONSOLE TOP FR	1
6	69524	DECAL, INSTRUCT CONSOLE TOP GER	1
7	307383	DECAL, INSTR CONSOLE TOP ENGL	1
9	305770	DECAL, CAUTION TRIANGLE EUROPE	1
10	68902	DECAL, WARNING, FRENCH/GERMAN	1
11	301104	DECAL, CONSOLE TOP SHIFT 5 SP	1
12	332359	DECAL, CERT. DE CONFORMITE 1994	1
13	320892	DECAL, INSTR PEDAL LIFT	1
14	327146	DECAL, PEDAL LIFT INDICATOR	1
15	68903	DECAL, BRAKE/CLUTCH ISD	1

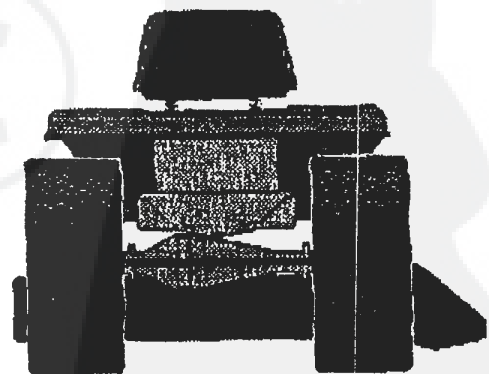
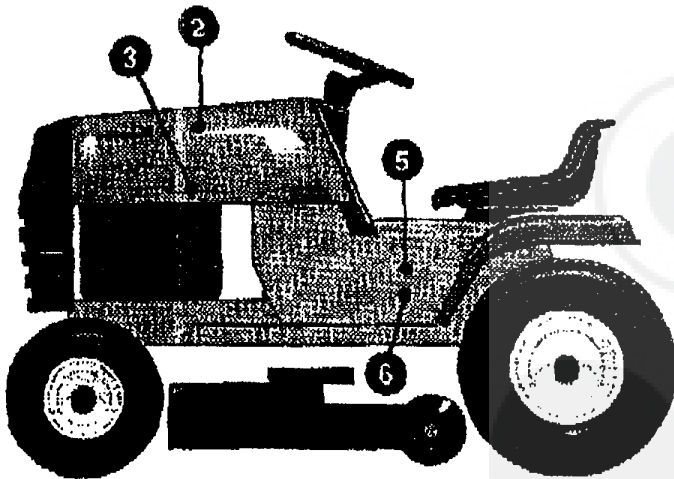
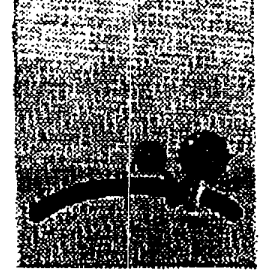


ID: MAR 10'00 9:52 No.003 P.25
E3554-130 REPAIR PARTS

DECALS



CONSOLE DETAIL



352304A

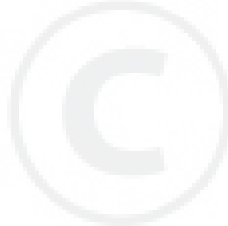
ID:

MAR 10'00

9:53 No.003 P.26

E3554-130 REPAIR PARTS

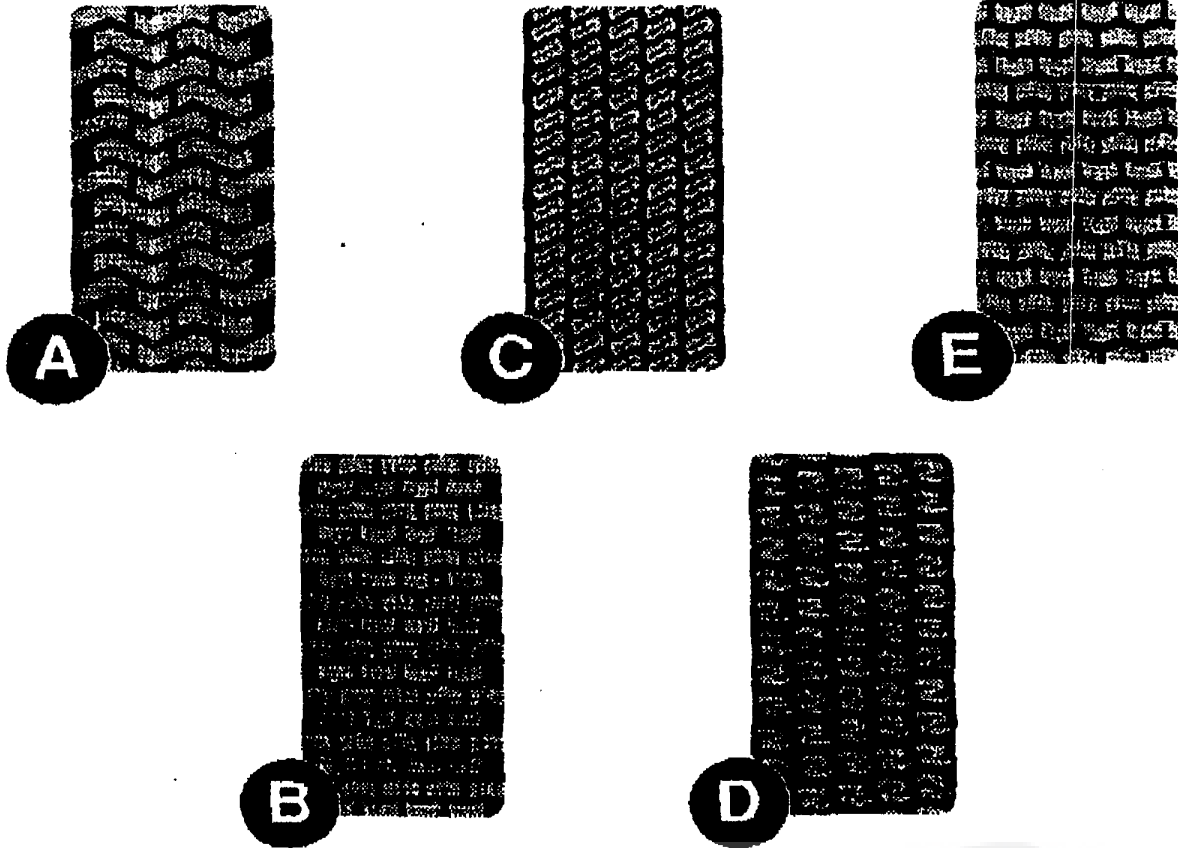
KEY #	PART #	DESCRIPTION	QTY.
1	320714	DECAL, HOODSIDE RH.....	1
2	320713	DECAL, HOODSIDE LH.....	1
3	402142	NAMEPLATE, TURFMASTER WHY/BLK.....	2
4	320872	DECAL PRO CONSOLE(LONGER) RH.....	1
5	320873	DECAL PRO CONSOLE(LONGER) LH.....	1
6	311957	NAMEPLATE 12/38 SATIN SILVER.....	2



E3554-130

TIRE TREAD PAGE

TREAD PATTERNS

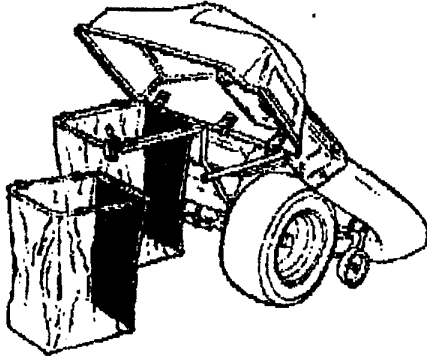


TIRE SIZE	"A"	"B"	"C"	"D"	"E"
11 X 4.00 - 5	42295	319679			
13 X 5.00 - 6	41060	319680			
15 X 6.00 - 6	39830	316702	301140	313952	
16 X 4.80 - 8		305035			
16 X 6.50 - 8	41081	319682		314539	
18 X 6.50 - 8		42091			
18 X 8.50 - 8	319683	317400			
18 X 9.50 - 8	41106	316701		313950	
20 X 8.00 - 8	319685	319684	57164	314584	331606
20 X 10.00 - 8	58276	319686		313654	
20 X 10.00 - 10	55893	319687			
23 X 9.50 - 12	53655	319690	319689	314370	

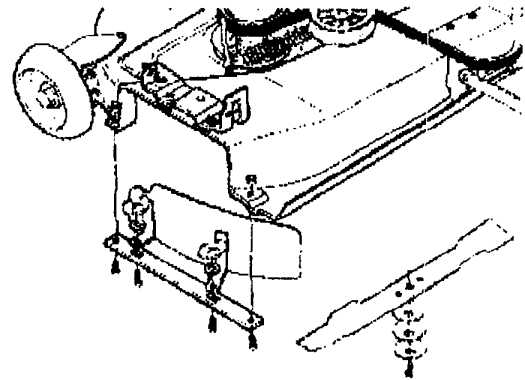
ACCESSORIES

Contact the dealer where your tractor was purchased for the available accessories. If you are unable to contact the dealer, write to the address on the front cover of this manual.

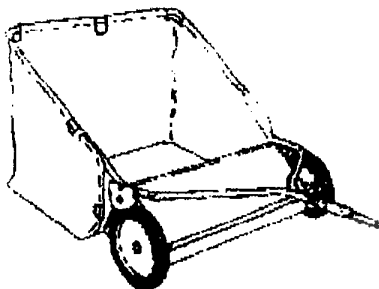
Standard Lawn Tractor



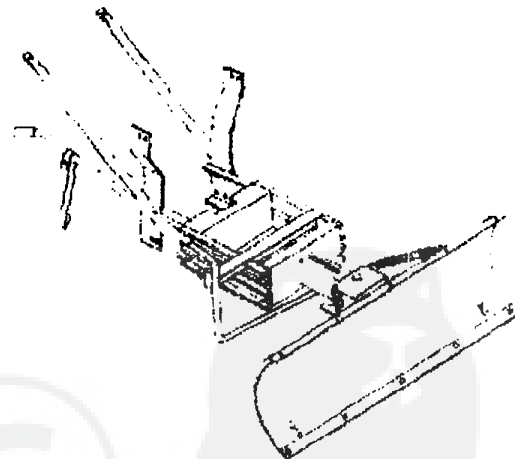
Model # 5708-13
Grass Collector for 39" decks
 For heavy duty grass collection
 order Model # 5709-10 Air Assist



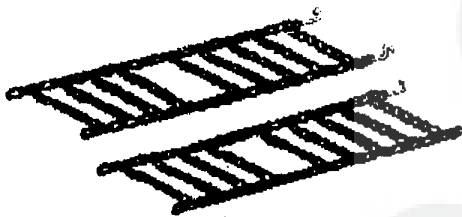
Model #5715-00
Mulching Kit (39" Deck)



Model # 5648-18
Tow behind Lawn Sweeper for
Grass and leaves



Model #5661-09
42" Snowblade - Fits 36", 38", 39", & 45"



Model # 5579-00
Tire Chains - 18" x 8.50" tires

OTHER ACCESSORIES

Model	Description
5872-01	Wheel Weights - Front - 1 pr. w/mtg. hdw. - Fits 15" tires
5673-02	Wheel Weights - Rear - 1 pr. w/mtg. hdw. - Fits 18" & 20" tires
306932	39" High lift blade for bagging or side discharge (requires 2)
326180	39" Mulching blade (requires 2)