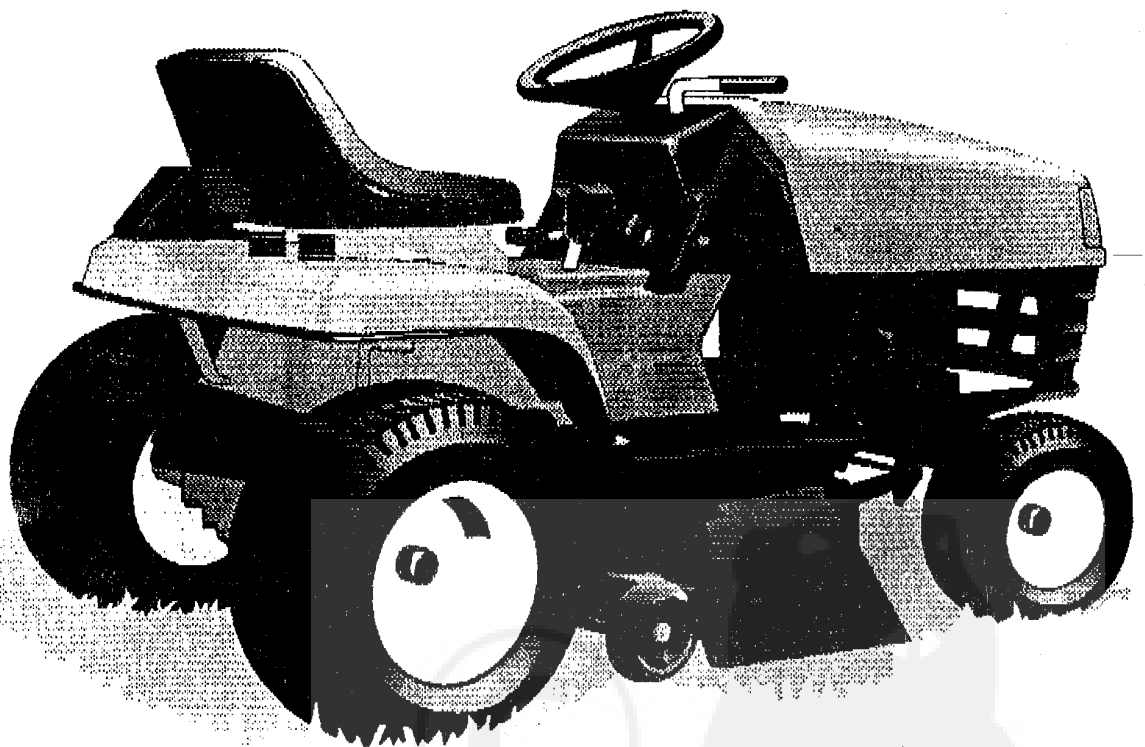


# **TONDEUSE AUTOPORTEE**

## **MANUEL PIÈCES DE RECHANGE**



**Modèle E3554-320**

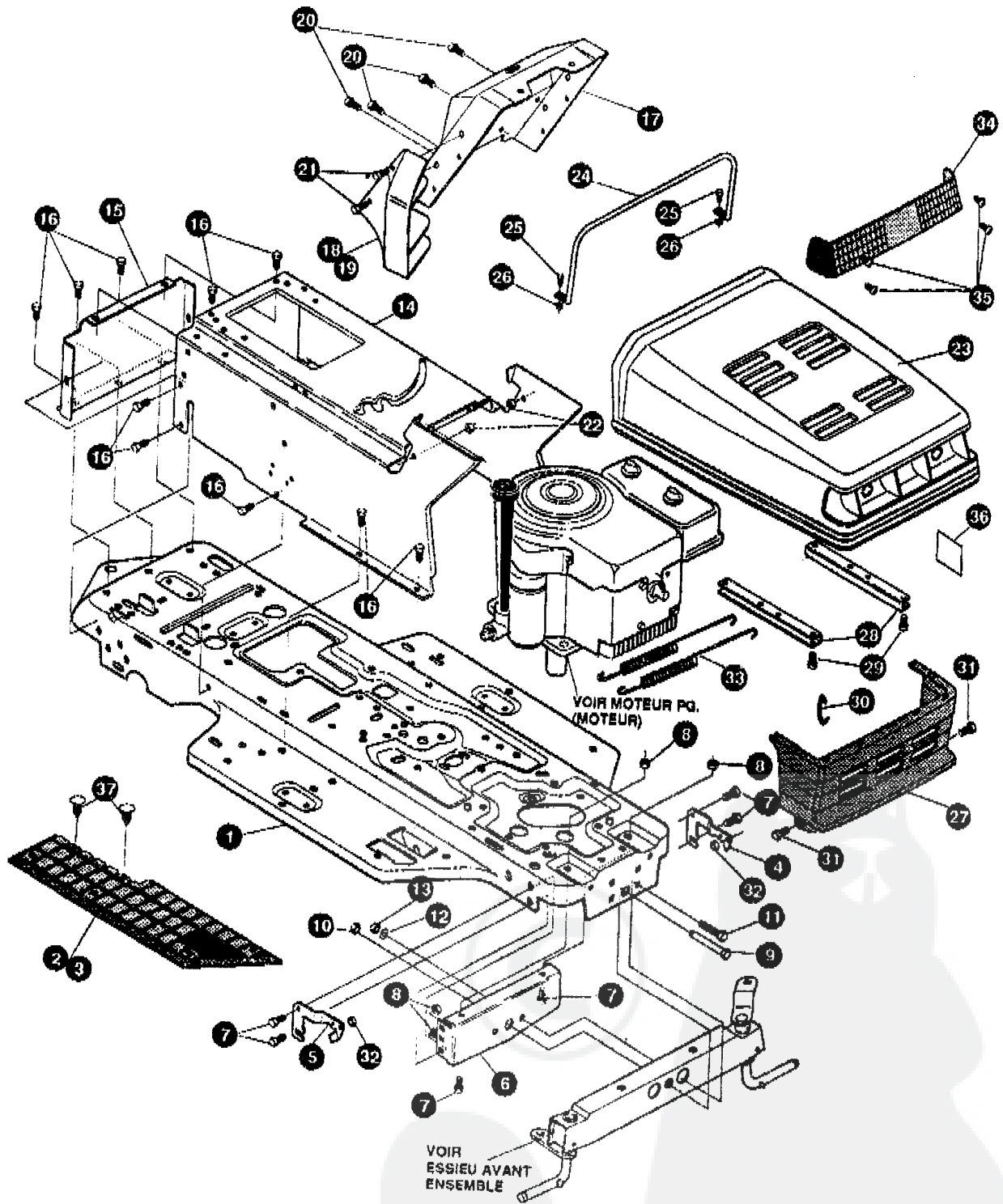
Pièce No.333399 '94"

JUL 10 '98 13:09 No.025 P.02

ID :

# 38" TONDEUSE AUTOPORTEE MODELE E3554-320

## CHASSIS & CAPOT ENSEMBLE



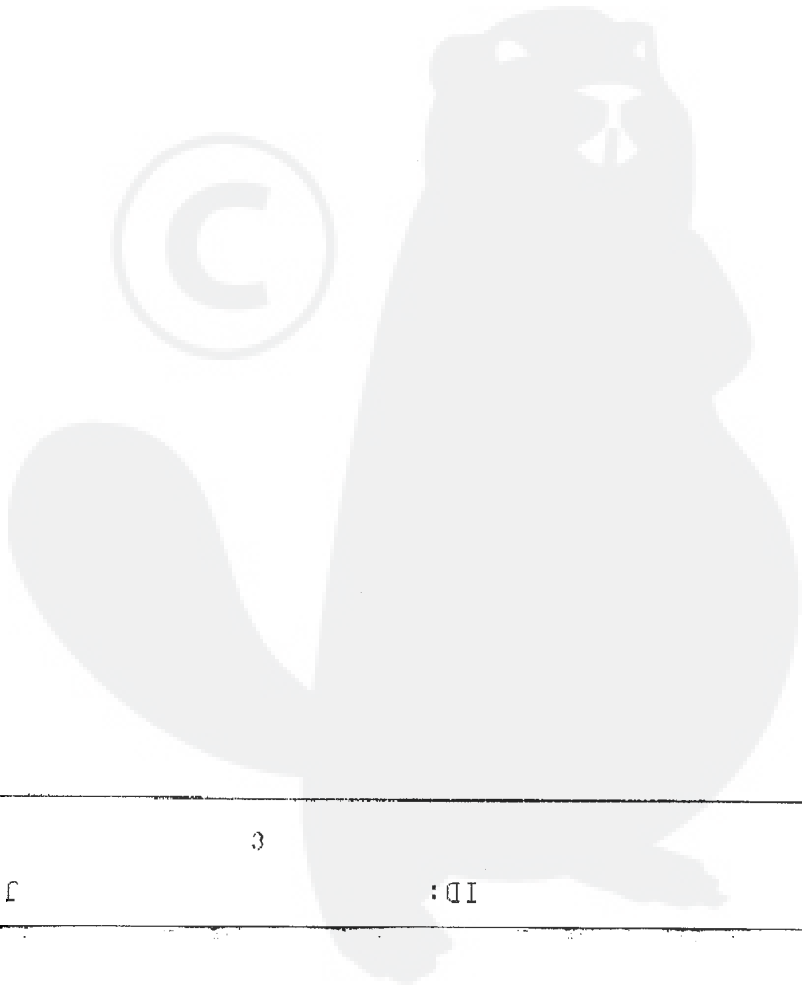
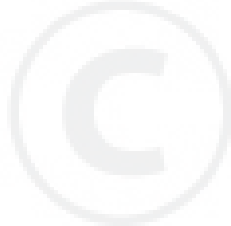
UTILISEZ DES PIÈCES D'ORIGINE POUR CONSERVER L'APPLICATION DE LA GARANTIE.

TOUTES LES PIÈCES NON REFEREES SONT INTERCHANGEABLES AVEC LEURS OPPOSEES.

333021A

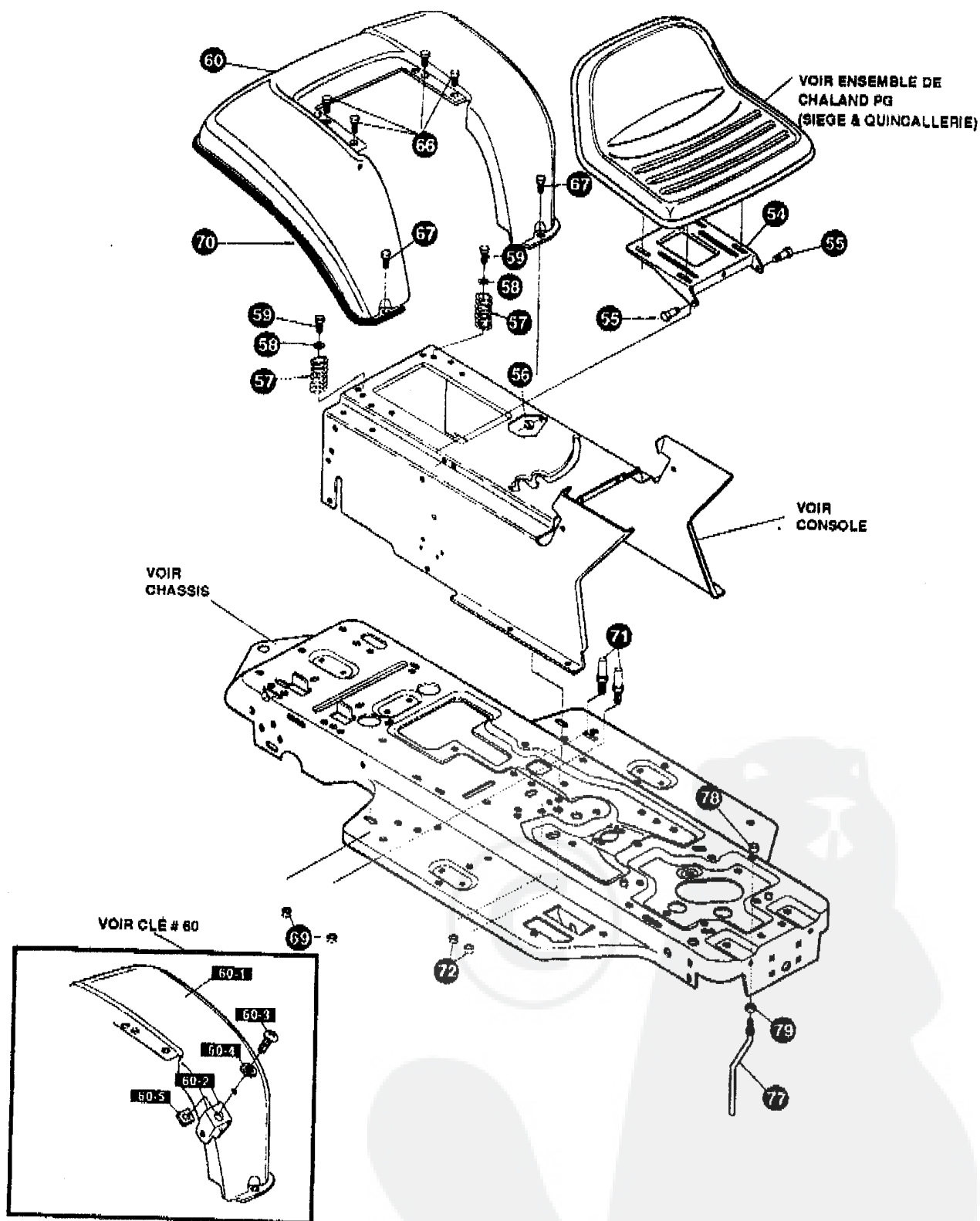
# 38" TONDEUSE AUTOPORTEE MODELE E3554-320

KEY#	PART#	DESCRIPTION	QTY
1	331173-860	FRAME,MAIN .....	1
2	310003	FOOT PAD, LH SF MOLDED .....	1
3	310004	FOOT PAD, RH SF MOLDED .....	1
4	313003-853	BRACKET, GRILLE SUPPORT LH .....	1
5	313004-853	BRACKET, GRILLE SUPPORT RH .....	1
6	56362-853	BRKT,SUPPORT,FRONT AXLE .....	1
7	328154	SCREW, 5/16-18X1.0WDFLLK .....	6
8	55273	NUT, 5/16-18 HXWDFLLK .....	6
9	29616	BOLT, .625X1.890 HSSH 1/2-20 .....	1
10	274654	NUT, 1/2-20 REGHXCTRLK .....	1
11	180138	SCREW, 3/8-16X3.00 HHC .....	2
12	2483	WASHER, 39IDX1.25DX.07 BELLVIL .....	2
13	1499	NUT, 3/8-16 REGHXCTRLK .....	2
14	332178-860	CONSOLE,SF GP DASH .....	1
15	56235-860	CONSOLE, REAR COVER .....	1
16	995346	SCREW, 1/4-20X .50 WAHHTAP .....	15
17	321980-853	DASH,SM.FR.W/O AMMET .....	1
18	302723	INSERT,DASH,LH .....	1
19	302724	INSERT,DASH,RH .....	1
20	44811	SCREW, 1/4-20X .75 WAHHTAP .....	4
21	274672	SCREW, 1/4-20X .63 WAHHC .....	4
22	51335	NUT, 1/4-20 WDFLWHIZ-LK .....	4
23	307032	HOOD .....	1
24	307278	SUPPORT,HOOD .....	1
25	301542	SCREW, 10-24X1.00HWATAPBLKPHOS .....	4
26	271166	NUT, #10-24 HEXKEPS .....	4
27	302722	GRILLE LOWER .....	1
28	9783	BRACKET, TIE,HOOD .....	2
29	35055	SCREW, 10-24X .50 3LHWATAP .....	8
30	310203	CLIP,HOG RING C-SHAPED .....	1
31	56676	BOLT, .375X.580 HSSH 5/16-18 .....	2
32	1498	NUT, 5/16-18 REGHEXCTRLK .....	2
33	57478	SPRING, HOOD LATCH .....	2
34	305716	LENS .....	1
35	57796	SCREW, #6 X .50 PLASTITE/HI-LO .....	4
36	301452	FOIL, HEAT REFLECTOR .....	1
37	309235	FASTENER, RATCHET BLACK .....	12
	330648	FRENCH OPERATOR'S MANUAL .....	1
	333399	ENGLISH PARTS MANUAL .....	1



# 38" TONDEUSE AUTOPORTEE MODELE E3554-320

## CHASSIS & CAPOT ENSEMBLE



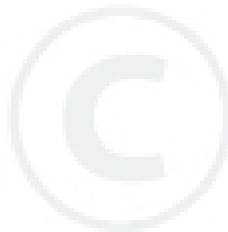
UTILISEZ DES PIÈCES D'ORIGINE POUR CONSERVER L'APPLICATION DE LA GARANTIE.

TOUTES LES PIÈCES NON RÉFÉRÉES SONT INTERCHANGEABLES AVEC LEURS OPPOSÉS.

333021A

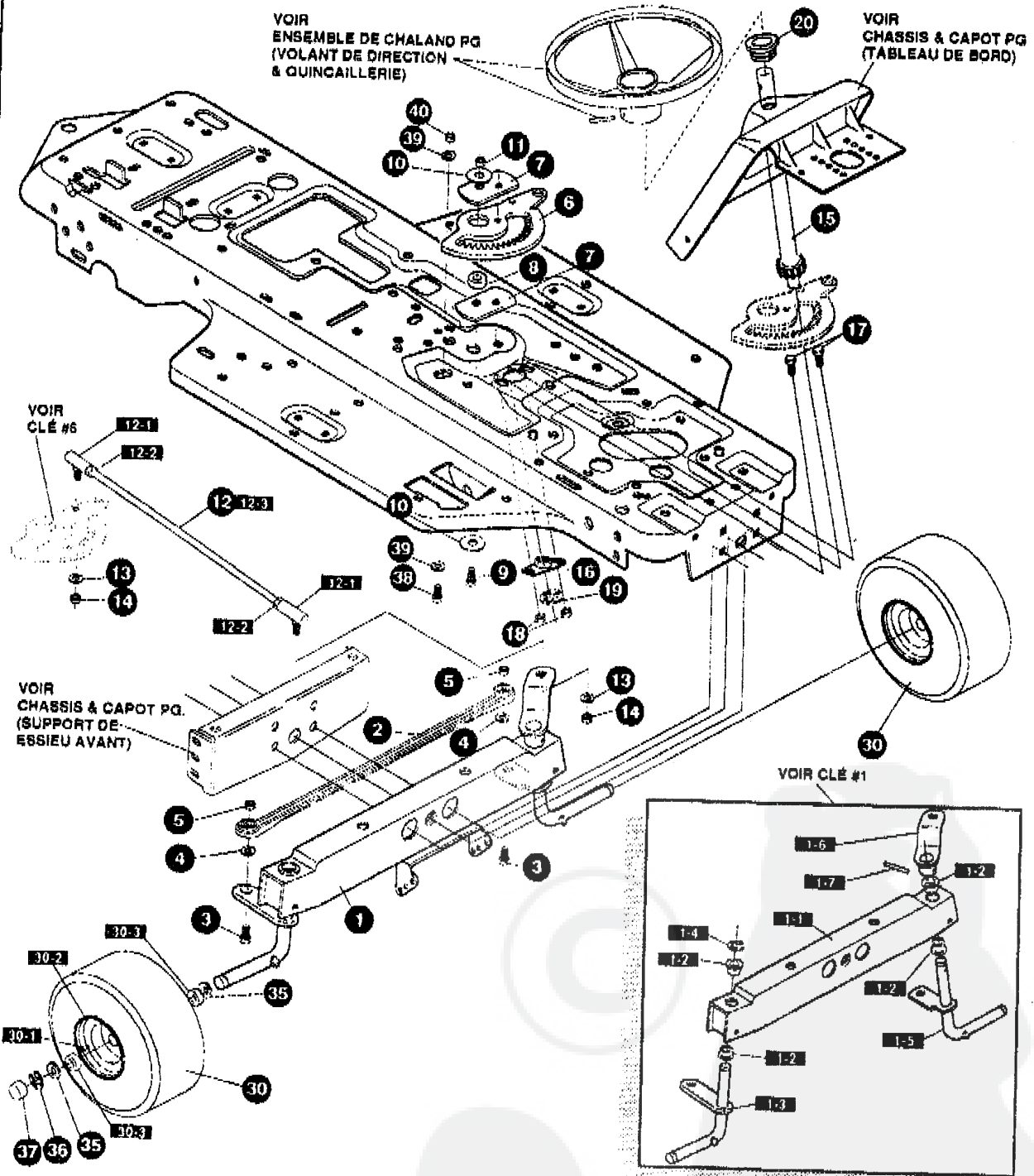
# 38" TONDEUSE AUTOPORTEE MODELE E3554-320

KEY#	PART#	DESCRIPTION	QTY
54	58367-860	PLATE, SEAT .....	1
55	20507	BOLT, .437X .156 HSSH 5/16-18 .....	2
56	1498	NUT, 5/16-18 REGHEXCTRLK .....	2
57	330463	SPRING, SEAT 1.500DX2.25LG .....	2
58	120392	WASHER, FLAT .281X .63X.065 .....	2
59	995346	SCREW, 1/4-20X .50 WAHHTAP .....	2
60	*	ASM FENDER .....	1
60-1	332426	FENDER .....	1
60-2	39239	CLEVIS .....	1
60-3	439455	SCREW, 5/16-18X .56PHPNMA .....	1
60-4	301551	WASHER, .344IDX1.50DX.09 CU .....	1
60-5	120373	NUT, 5/16-18 SQ .....	1
66	995346	SCREW, 1/4-20X .50 WAHHTAP .....	4
67	126358	BOLT, 5/16-18X1.00 CARRLN .....	2
69	55273	NUT, 5/16-18 HXWDFLLK .....	2
70	55023	TRIM,STRIP,BLACK--SMALL,W/ ADH .....	77.500
71	53446	PIN, 5/16-18 HOOD LATCH .....	2
72 2	71184	NUT, 5/16-18 HEXKEPS .....	2
77	50653	GUIDE, BELT .....	1
78	41529	NUT, 3/8-16 HXCTRLKJAM .....	1
79	271190	NUT, 3/8-16 HEXKEPS .....	1



# 38" TONDEUSE AUTOPORTEE MODELE E3554-320

## ENSEMBLE DE DIRECTION



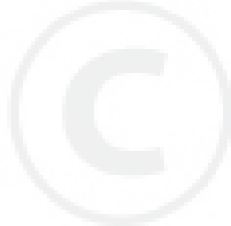
UTILISEZ DES PIÈCES D'ORIGINE POUR CONSERVER L'APPLICATION DE LA GARANTIE.

TOUTES LES PIÈCES NON RÉFÉRÉES SONT INTERCHANGEABLES AVEC LEURS OPPOSÉS.

327592H

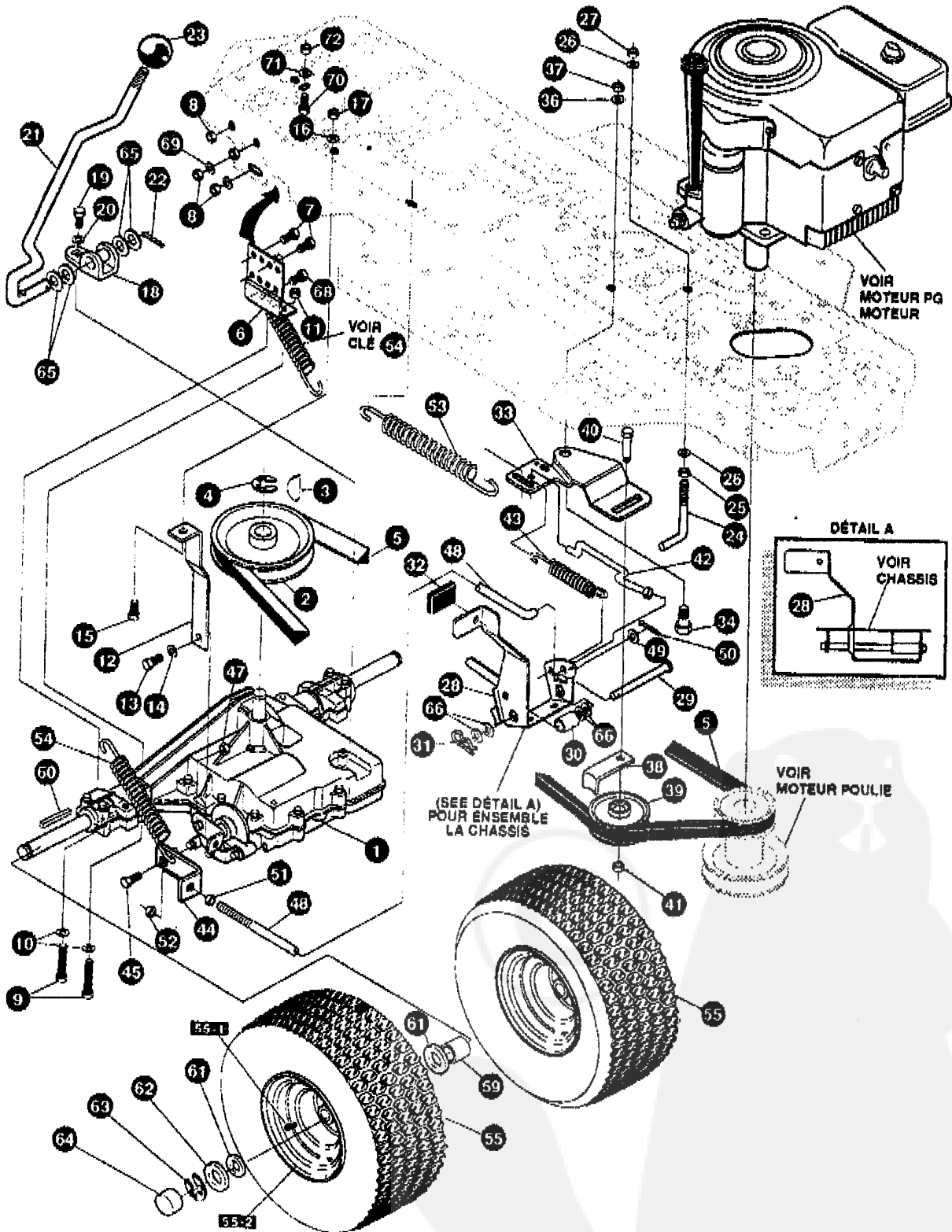
# 38" TONDEUSE AUTOPORTEE MODELE E3554-320

KEY#	PART#	DESCRIPTION	QTY
1	*	AXLE FRONT ASSY. SF LONG .....	1
1	324915-860	FRONT AXLE .....	1
2	50546	BRNG, FL .759IDX1.002ODX .75 .....	4
3	310368	SPINDLE, ASSY, RH LONG .....	1
4	36625	RING, RETEX .57X.05TRU5133-75 .....	1
5	310367	SPINDLE, ASSY, LH LONG .....	1
6	327619-853	ARM ASSY FRNT STRNG .....	1
7	454565	PIN, SPRING.250DIA X1.25LG HVPL .....	1
2	302688	ASSY, TIE ROD 19.31 LG .....	1
3	180124	SCREW, 3/8-16X1.25 HHC .....	2
4	120382	WASHER, REGSPTLK.393X.68X.10 .....	2
5	1499	NUT, 3/8-16 REGHXOTRLK .....	2
6	324752	GEAR, SECTOR SF4WS .....	1
7	333289	PLATE SECTOR .....	2
8	330021	BUSHING, SECTOR GEAR .....	1
9	181643	SCREW, 3/8-24X1.50 HHC .....	1
10	845	WASHER, FLAT .390X1.25X.119 .....	2
11	412349	NUT, 3/8-24 HXOTRLK .....	1
12	328808	DRAG LINK ASSY 17.69LG .....	1
12-1	57158	BALL JOINT 3/8 THD SHORT STUD .....	2
12-2	124925	NUT, 3/8 24 REGHEXJAM .....	2
12-3	56190	DRAG LINK .....	1
13	120382	WASHER, REGSPTLK.393X.68X.10 .....	2
14	120369	NUT, 3/8-24 REGHEX .....	2
15	327395	SHAFT, PIN-STR .....	1
16	325692	BRNG, FL 50 IDX1.370ODX .....	1
17	326505	SCREW 1/4-20X.75 (TQ 30-35 FT#) .....	2
18	46931	NUT, 1/4-20 WDFL MAC-LOCK .....	2
19	20864	RING, RET E .39X.04TRU5133-50 .....	1
20	54902	BRNG, FL 753IDX1.37ODX .50 .....	1
30	302828	TIRE & RIM, PU 15X6.0X6 TURWHI .....	2
30-1	24167	VALVE STEM .....	2
30-2	39829	HUB .....	2
30-3	314416	BEARING .....	4
35	642	WASHER, FLAT .755X1.31X.075 .....	4
36	36625	RING, RETEX .57X.05TRU5133-75 .....	2
37	40394	HUB CAP, 1.500ID X 7/8LG .....	2
38	180124	SCREW, 3/8-16X1.25 HHC .....	1
39	120394	WASHER, FLAT .406X .81X.065 .....	2
40	45171	NUT, 3/8-16 HWDFL WHIZ-LOCK ZN .....	1



# 38" TONDEUSE AUTOPORTEE MODELE E3554-320

## COMMANDE DE PROPULSION



UTILISEZ DES PIÈCES D'ORIGINE POUR CONSERVER L'APPLICATION DE LA GARANTIE.

TOUTES LES PIÈCES NON REFEREES SONT INTERCHANGEABLES AVEC LEURS OPPOSEES.

333061A

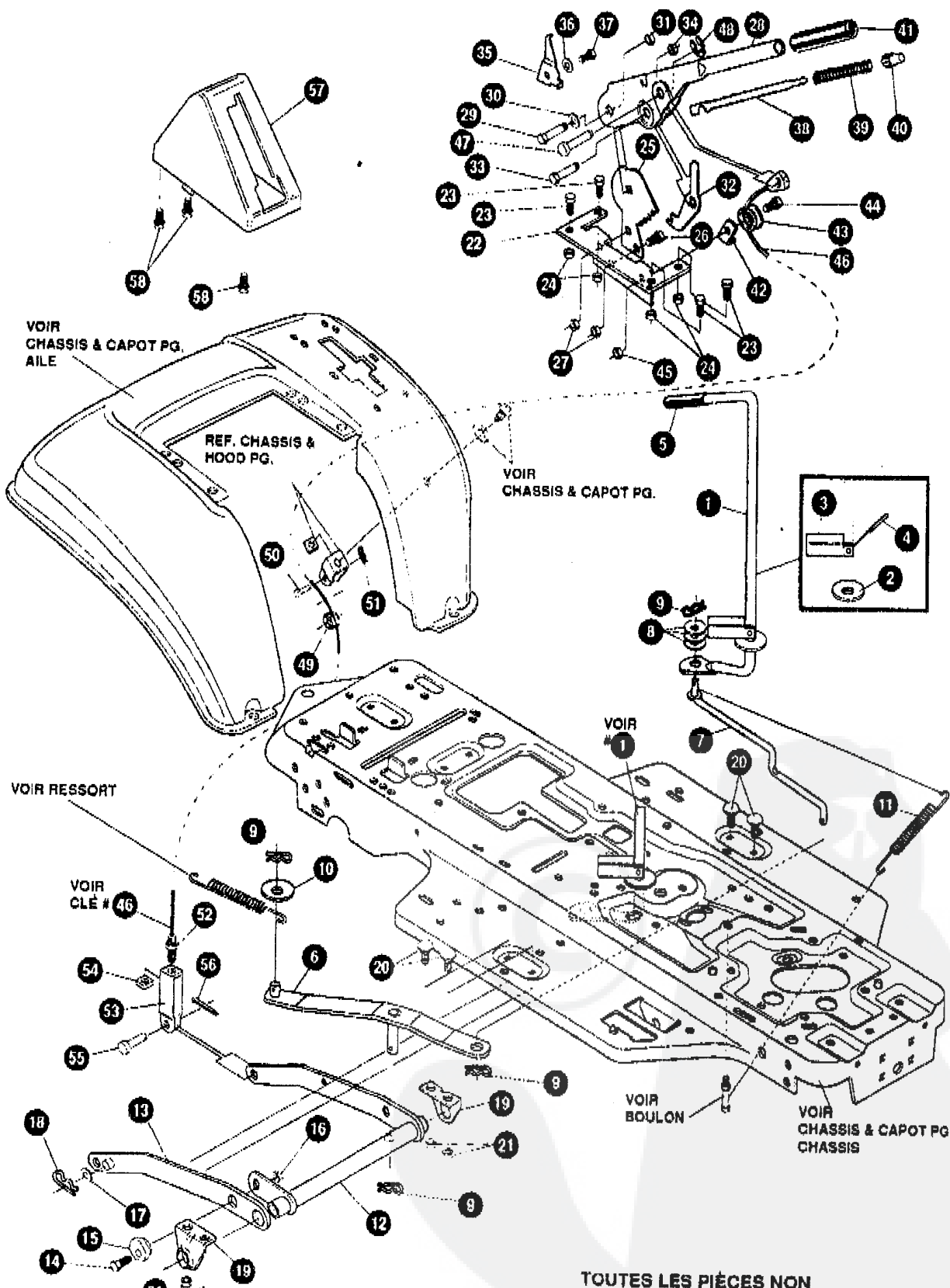


# 38" TONDEUSE AUTOPORTEE MODELE E3554-320

KEY#	PART#	DESCRIPTION	QTY
1	*	TRANSAXLE FOOTE 4360-5	1
2	303109	PULLEY, 6.6 OD V4L 7/A	1
3	50795	KEY, HI-PRO 606 .75DIA X .187WD	1
4	22053	RING, RETEX .59X.035TRU5100-62	1
5	54758	BELT, V 4L 82.00 SF DRIVE	1
6	326615-853	BRACKET, TRANSAXLE	2
7	180077	SCREW, 5/16-18X .75 HHC	4
8	1498	NUT, 5/16-18 REGHEXC TRLK	8
9	180091	SCREW, 5/16-18X2.50 HHC	4
10	120393	WASHER, FLAT .344X .69X.065	4
11	1498	NUT, 5/16-18 REGHEXC TRLK	4
12	323126	BRKT, STABILIZER	1
13	35498	SCREW, 5/16-18X .75 WAHHTAP	1
14	120638	WASHER, HVSP TLK .326X.60X.09	1
15	180079	SCREW, 5/16-18X1.00 HHC	1
16	138485	WASHER, EXLK .320X.61X.03	1
17	1498	NUT, 5/16-18 REGHEXC TRLK	1
18	331393	BRACKET, SHIFT F4360	1
19	56255	SCREW, 1/4-28X .75 NYLHHC	1
20	57157	WASHER, .750X.250 SP. TRANSAXLE	1
21	331800	SHIFT LEVER (DANA) Z-PL	1
22	137185	PIN, COTTER .125 DIA X 1.00LG	1
23	55514	KNOB, ROUND 1.50 DIA	1
24	49896	BELT GUIDE	1
25	271184	NUT, 5/16-18 HEXKEPS	1
26	120393	WASHER, FLAT .344X .69X.065	2
27	1498	NUT, 5/16-18 REGHEXC TRLK	1
28	331836	ASSY, PEDAL, BRAKE, CLUTCH	1
29	319676	PIN, CLEVIS .500DX4.87LG	1
30	331972	SPACER, SLEV .53 X .62X1.240	1
31	56180	PIN, HAIR .091 DIA X 1.62LG	1
32	48761	PAD, CLUTCH/BRAKE PEDAL	1
33	321969	IDLER ARM BRKT TRACTION	1
34	329989	BOLT, .625X .135 HSH 5/16-18	1
35	45602	WASHER, FLAT .333X .87X.119	1
37	1498	NUT, 5/16-18 REGHEXC TRLK	1
38	39659	RETAINER, BELT	1
39	35374	PULLEY, IDLER V4L 3.06X .62	1
40	45892	BOLT, 3/8-16X1.50 CARRSN	1
41	1499	NUT, 3/8-16 REGHXCTR LK	1
42	333175	CLUTCH ROD ASSY, .268 DIA 3.92	1
43	326780	SPRING, 3/8 ODX 2.18 X .055 TENSION	1
44	323127	BRKT, BRAKE ROD	1
45	20507	BOLT, .497X .156 HSH 5/16-18	1
47	1498	NUT, 5/16-18 REGHEXC TRLK	1
48	323222	BRAKE ROD, RIDER	1
49	120393	WASHER, FLAT .344X .69X.065	1
50	121222	PIN, COTTER .090 DIA X .75LG	1
51	271184	NUT, 5/16-18 HEXKEPS	1
52	1498	NUT, 5/16-18 REGHEXC TRLK	1
53	327867	SPRING, 3/4 ODX 7.75X.091 TENSION	1
54	35410	SPRING, .071 X .62 X 4.37	1
55	326363	TIRE & RIM, 20X6 00-8 WHITE 668	2
		TIRE	SEE TIRE TREAD PAGE
55-1	24167	VALVE STEM	2
55-2	326362	HUB	2
59	57479	SPACER, SLEV .75 X 1.25X1.32	2
60	52928	KEY, SQUARE .187SQ X 2.25LG	2
61	642	WASHER, FLAT .755X1.31X.075	4
62	42815	WASHER, FLAT .755X1.53X.07	2
63	36625	RING, RETEX .57X.05TRU5133-75	2
64	40394	HUB CAP, 1.500ID X 7/8LG	2
65	5950	WASHER, FLAT .505X .88X.13	4
66	2960	WASHER, FLAT .504X .75X.059	4
68	327917	SCREW, 5/16-18X1.50HHCFT	4
69	73787	WASHER, FLAT .330X .75X.1793	4
70	180022	SCREW, 1/4 20X1.00 HHC	1
71	120380	WASHER, REGSPTLK 263X.49X.07	1
72	120375	NUT, 1/4-20 REGHEX	1

\* CONTACT YOUR NEAREST TRANSAXLE DEALER FOR PARTS AND SERVICE.

# 38" TONDEUSE AUTOPORTEE MODELE E3554-320



UTILISEZ DES PIÈCES D'ORIGINE POUR CONSERVER L'APPLICATION DE LA GARANTIE.

TOUTES LES PIÈCES NON REFÉREES SONT INTERCHANGEABLES AVEC LEURS OPPOSEES.

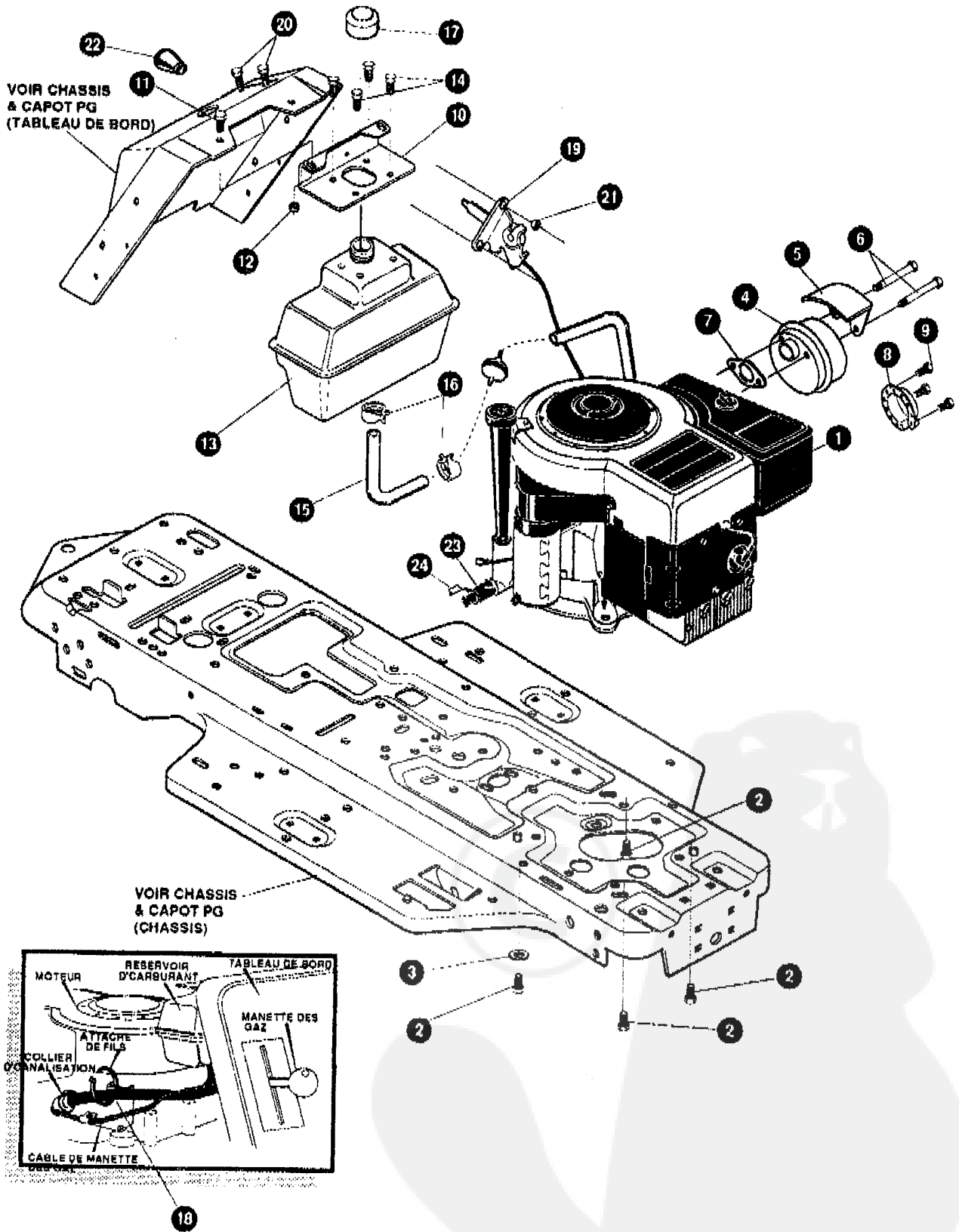
333061A

# 38" TONDEUSE AUTOPORTEE MODELE E3554-320

KEY #	PART # D	DESCRIPTION	QTY.
1	325592	LEVER, CLUTCH RH PTO	1
2	22265	WASHER, FLAT 515X1.38X.119PL	1
3	305225	STOP, PTO ENGAGE	1
4	326386	PIN, SPRING 187DIA X 1.13LG HD	1
5	331624	KNOB, ROUND 1.50DIA OR GRIP	1
6	325587	STRAP ASSY, PTO BELCRANK	1
7	325590	ROD, BELCRANK LINK	1
8	274517	WASHER, FLAT 406X.73X.063	3
9	8260	PIN, HAIR .091 DIA X 1.66LG	4
10	25210	WASHER, FLAT 386X1.25X.09HT	1
11	325802	SPRING, .69X7.75X.0897TENSION	1
12	326114-853	LIFT ASSY, LH	1
13	325130-853	LIFT ASSY, RH	1
14	180079	SCREW, 5/16-18X1.00 HHC	1
15	58247	NUT, ADJUST	1
16	1498	NUT, 5/16-18 REGHEXCTRLK	1
17	417098	WASHER, FLAT .531X1.06X.063	2
18	8260	PIN, HAIR .091 DIA X 1.66LG	2
19	325495-853	BRACKET, REAR HANG SUSP	2
20	330967	BOLT, 5/16-18X1.00 CARR	4
21	1498	NUT, 5/16-18 REGHEXCTRLK	4
22	313926	BRACKET, HEIGHT ADJUST	1
23	180077	SCREW, 5/16-18X.75 HHC	4
24	1498	NUT, 5/16-18 REGHEXCTRLK	4
25	301238	QUADRANT, HEIGHT ADJUST	1
26	180077	SCREW, 5/16-18X.75 HHC	2
27	1498	NUT, 5/16-18 REGHEXCTRLK	2
28	322292-853	HANDLE, LIFT SHORT	1
29	300171	BOLT, .500X.270 HSSH 5/16-18	1
30	996418	WASHER, FLAT .506X.75X.024	1
31	44108	NUT, 5/16-18 HWDFLCTRLK	1
32	301239	PAWL, SQUARE	1
33	300171	BOLT, .500X.270 HSSH 5/16-18	1
34	44108	NUT, 5/16-18 HWDFLCTRLK	1
35	9435	POINTER, HEIGHT ADJ	1
36	138479	WASHER, EXLK .195X.41X.03	1
37	35287	SCREW, #8 32X.38 HHWATAP	1
38	303027	ROD, ACTUATOR-SHORT	1
39	58326	SPRING, HEIGHT ADJUST	1
40	58325	KNOB, HEIGHT ADJ PUSH BUTTON	1
41	58329	GRIP, .750 OD W/ HOLE	1
42	9149	BRKT, CABLE RETAIN	1
43	48306	PULLEY, POWDER METAL	1
44	58336	BOLT, .375X.375 HSSH 1/4-20	1
45	1502	NUT, 1/4-20 REGHEXCTRLK	1
46	321430	CABLE, LIFT 21.50	1
47	300310	PIN, CLEVIS .310DIA+.475LG ZPL	1
48	300311	RING, RET E .31X.25TRUX5133-31	1
49	48306	PULLEY, POWDER METAL	1
50	300317	PIN, CLEVIS .375DIA X .81 LG	1
51	8260	PIN, HAIR .091 DIA X 1.66LG	1
52	120375	NUT, 1/4-20 REGHEX	1
53	9405	CLEVIS, LIFT CABLE	1
54	120372	NUT, 1/4-20 REGSQ	1
55	39522	PIN, CLEVIS .312 X .812	1
56	121222	PIN, COTTER .090 DIA X .75LG	1
57	300335	LIFT COVER	1
58	300340	SCREW, #10 X .75 HHPLAST	3

# 38" TONDEUSE AUTOPORTEE MODELE E3554-320

## MOTEUR ET COMMANDE



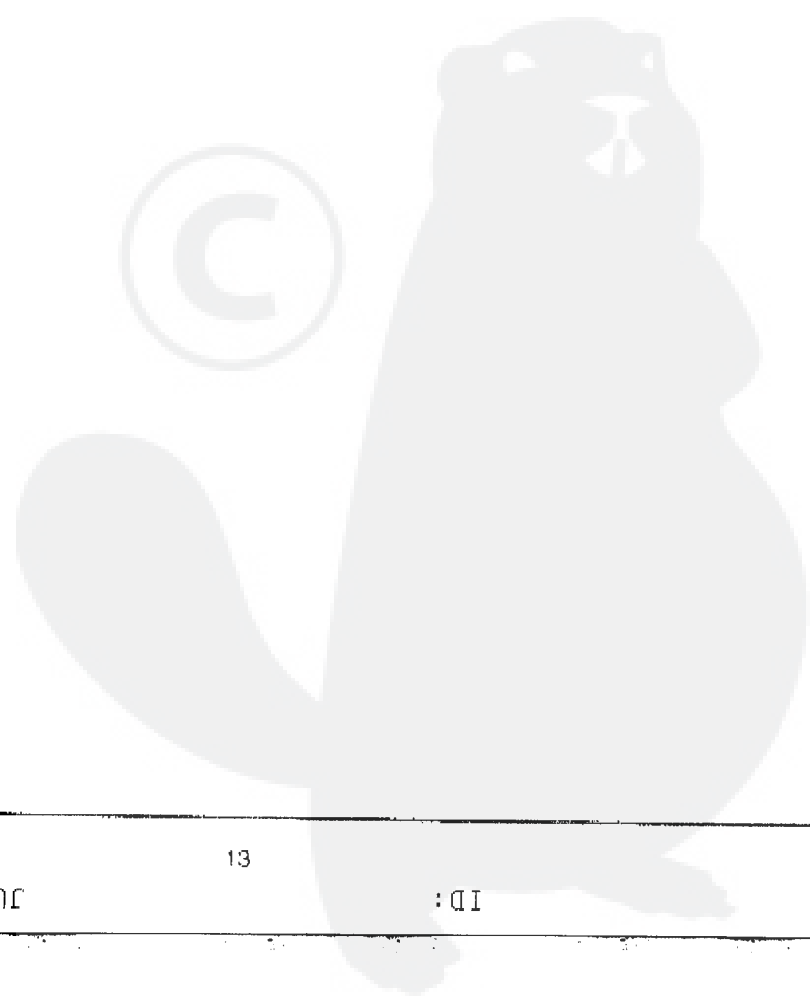
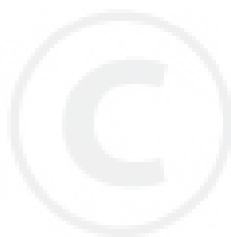
UTILISEZ DES PIÈCES D'ORIGINE POUR CONSERVER L'APPLICATION DE LA GARANTIE.

TOUTES LES PIÈCES NON REFERÉES SONT INTERCHANGEABLES AVEC LEURS OPPOSÉS.

333014A

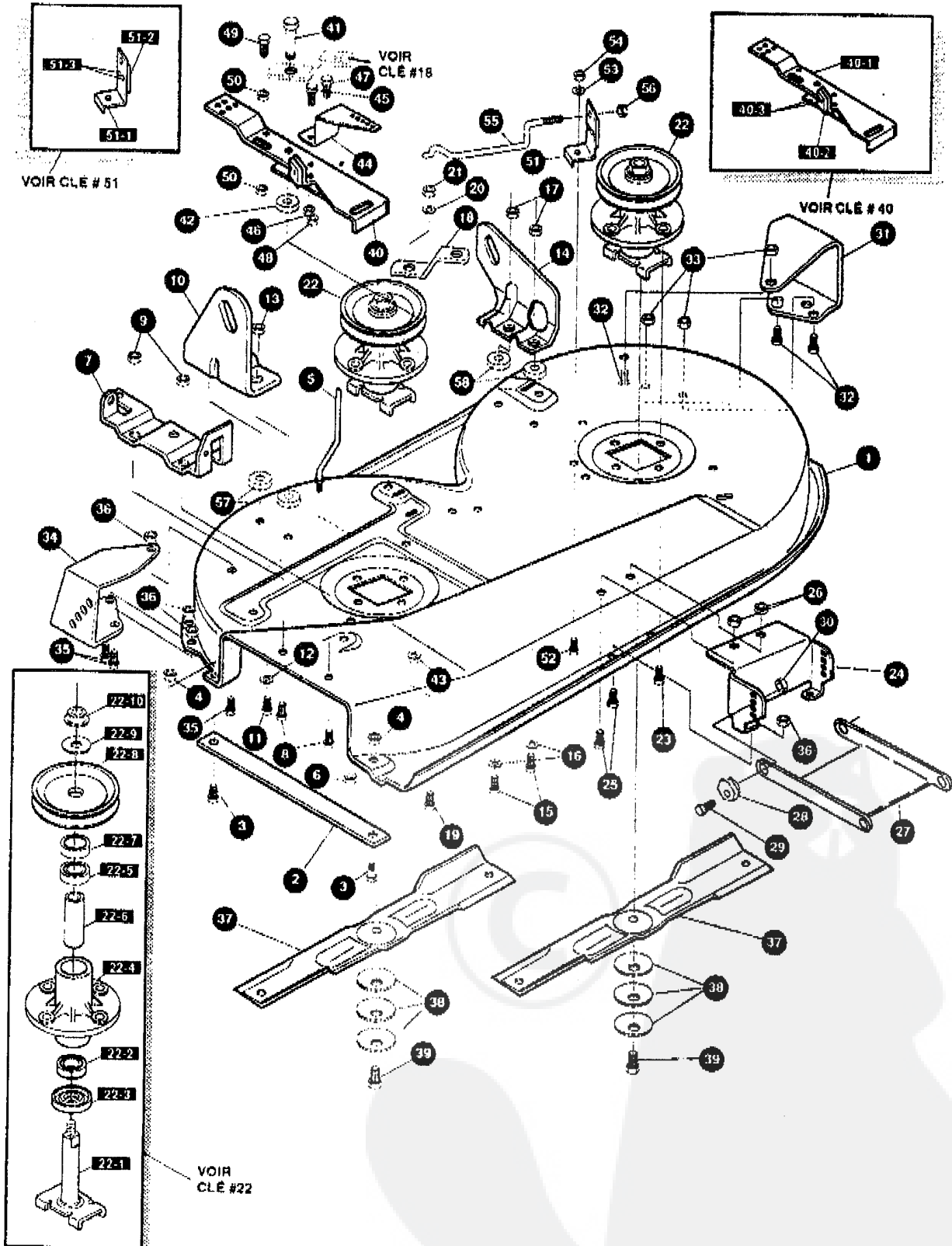
# 38" TONDEUSE AUTOPORTEE MODELE E3554-320

KEY#	PART#	DESCRIPTION	QTY
1	ENGINE	ENGINE, 12-12.5HP BS IC DUAL .....	1
2	50947	SCREW, 3/8-16X1.25 WAHHTAPBLKP .....	4
3	138489	WASHER, EXLK.384X.69X.04 .....	1
4	67908	MUFFLER-DOM/EXP ROUND .....	1
5	64767	SHIELD, HEAT, FOR ROUND MUFFLER .....	1
6	54980	SCREW, 5/16-18X3.50 HHC .....	2
7	46708	GASKET, MUFFLER .....	1
8	323423	DEFLECTOR, MUFFLER PARTIAL .....	1
9	35287	SCREW, #8-32X .38 HHWATAP .....	3
10	302814-853	BRACKET, GAS TANK .....	1
11	180020	SCREW, 1/4-20X .75 HHC .....	2
12	50352	NUT, 1/4-20 WDFLLK TOPLOCK .....	2
13	314989	TANK, FUEL 1 GAL CLEAR .....	1
14	300303	SCREW, .25X.75X.51HHWAPLASTITE .....	4
15	47452	TUBING, .25X.50X BULK GAS LINE .....	15
16	48672	CLAMP, FUEL LINE .....	2
17	46704	CAP, GAS 1-1/2-7 THD BLK .....	1
18	57444	TIE, CABLE BLACK NYLON 5.62L .....	1
19	320031	THROTTLE CONTROL .....	1
20	274707	SCREW, 10-24X .50 WAHMA .....	2
21	308459	NUT, #10-24 HXHDNYLK .....	2
22	50607	KNOB, ROUND THROTTLE .....	1
23	325547	OIL DRAIN VALVE ASSEMBLY .....	1
24	327422	CAP, OIL DRAIN VALVE ASM, YELLOW .....	1



# 38" TONDEUSE AUTOPORTEE MODELE E3554-320

BOÎTER DE TONDEUSE PEINT



UTILISEZ DES PIÈCES D'ORIGINE POUR CONSERVER L'APPLICATION DE LA GARANTIE.

TOUTES LES PIÈCES NON REFERÉES SONT INTERCHANGEABLES AVEC LEURS OPPOSÉES.

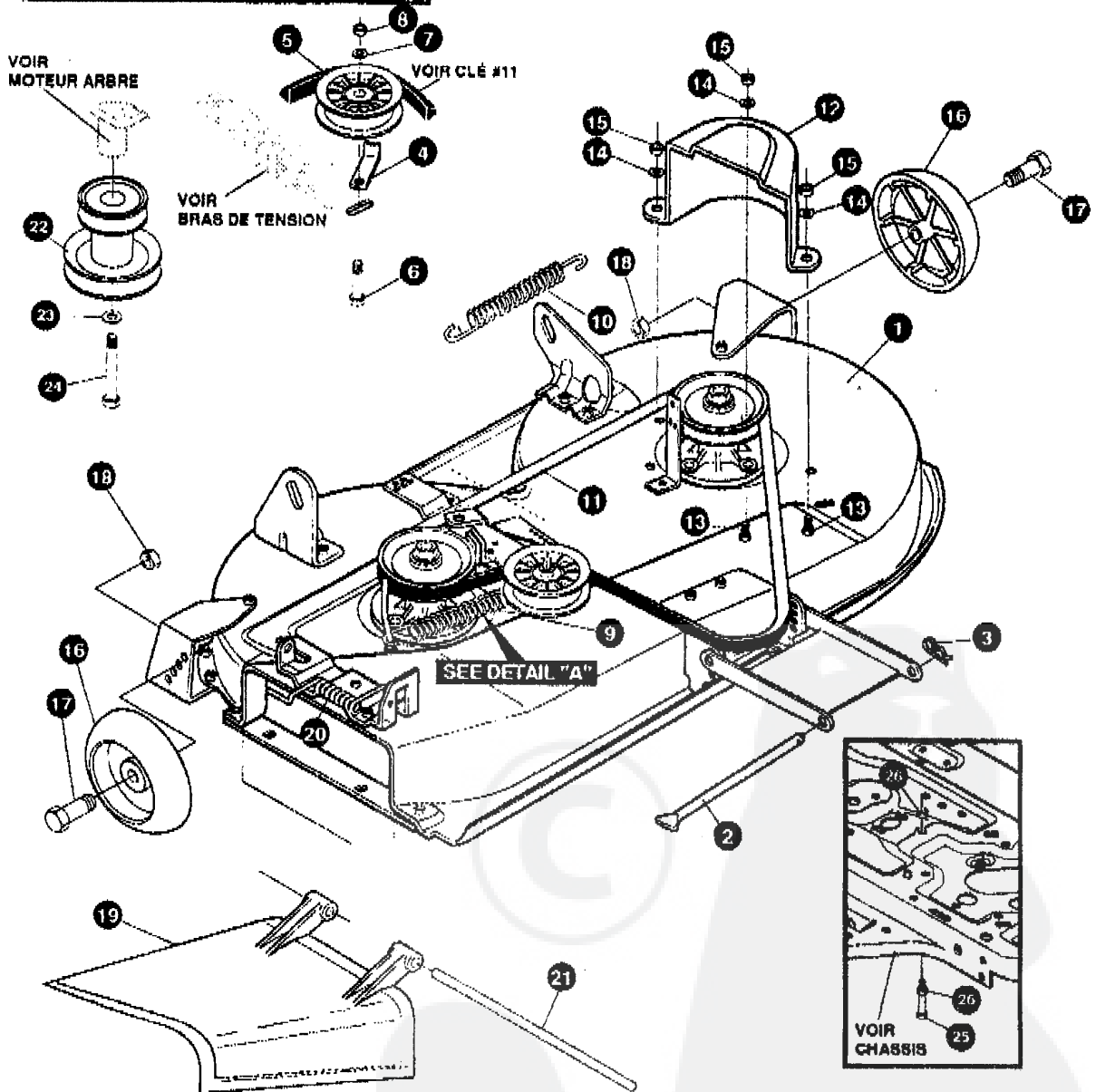
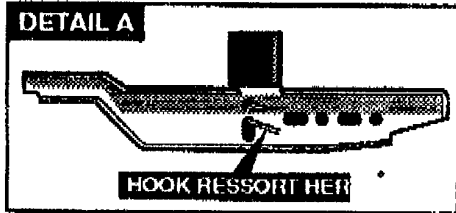
333272A

# 38" TONDEUSE AUTOPORTEE MODELE E3554-320

KEY #	PART #	DESCRIPTION	QTY
1	325106	DECK, MOWER KIT	1
2	326295	BAR, SKID	1
3	126216	BOLT, 5/16-18X .75 CARRLN	2
4	271184	NUT, 5/16-18 HEXKEPS	2
5	57318	GUIDE, BELT 5/16-18 THD	1
6	1498	NUT, 5/16 18 REGHEXCTRLK	1
7	313928	BRACKET, CHUTE	1
8	180073	SCREW, 5/16-18X .50 HHC	2
9	1498	NUT, 5/16 18 REGHEXCTRLK	2
10	313929	BRACKET, RH LIFT REAR	1
11	180081	SCREW, 5/16-18X1.25 HHC	2
12	120393	WASHER, FLAT .344X .69X.065	2
13	1498	NUT, 5/16-18 REGHEXCTRLK	2
14	310667	BRACKET, LH LIFT REAR	1
15	180081	SCREW, 5/16-18X1.25 HHC	2
16	120393	WASHER, FLAT .344X .69X.065	2
17	1498	NUT, 5/16-18 REGHEXCTRLK	2
18	315302	BRACKET, IDLER SUPPORT	1
19	300345	SCREW, 5/16-18X1.38 WAHTAP	1
20	120393	WASHER, FLAT .344X .69X.065	1
21	1498	NUT, 5/16-18 REGHEXCTRLK	1
22	56424	QUILL ASSY	2
22-1	56425	SHAFT/SADDLE	1
22-2	49562	BRNG, BALL 6203-2AA(SEALS)-C3	1
22-3	50616	DUST SHIELD	1
22-4	55547	QUILL CASTING (1046	1
22-5	49562	BRNG, BALL 6203-2AA(SEALS)-C3	1
22-6	50818	SPACER, SLEV .669X .88X3.797	1
22-7	51449	SPACER, SLEV .672X .93X .438PM	1
22-8	313898	PULLEY, 26/36" QUILL V5L	1
22-9	56365	WASHER, SPECIAL QUILL	1
22-10	1282	NUT, 7/16 20 WDFLK	1
23	35498	SCREW, 5/16-18X .75 WAHTAP	8
24	312526	SUPPORT, LIFT DECK FRONT	1
25	180077	SCREW, 5/16-18X .75 HHC	4
26	1498	NUT, 5/16 18 REGHEXCTRLK	4
27	58305	BRACKET, LINK DECK FRONT	1
28	58247	NUT, ADJUST	2
29	180079	SCREW, 5/16-18X1.00	2
30	1498	NUT, 5/16-18 REGHEXCTRLK	2
31	312477	BRACKET, LH WHEEL	1
32	180077	SCREW, 5/16-18X .75 HHC	3
33	1498	NUT, 5/16-18 REGHEXCTRLK	3
34	300102	WHEEL BRKT, RH	1
35	180077	SCREW, 5/16-18X .75 HHC	3
36	1498	NUT, 5/16-18 REGHEXCTRLK	3
37	309069	BLADE, 19 69 LOW-LIFT	2
38	2483	WASHER, .391DX1.25DX.07 BELLVIL	6
39	39573	SCREW, 3/8-24X1.00 NYLHHC	2
40	300491	IDLER ARM ASSEMBLY	1
40-1	300490	IDLER ARM	1
40-2	306973	BRAKE PAD - HARD - 232AF	1
40-3	41601	RIVET, OVSET .187DIA X .50LG ST	2
41	300180	BOLT, .50 X1.88 HSH 3/8-16	1
42	996416	WASHER, FLAT .391X1.00X.125	1
43	45171	NUT, 3/8-16 HWDFL WHIZ-LOCK	1
44	326249	BRACKET, EXTENSION IDLER	1
45	180077	SCREW, 5/16-18X .75 HHC	1
46	1498	NUT, 5/16-18 REGHEXCTRLK	1
47	180020	SCREW, 1/4-20X .75 HHC	1
48	1502	NUT, 1/4 20 REGHEXCTRLK	1
49	121954	SCREW, 1/4-20X2.00 HHC	1
50	271172	NUT, 1/4-20 REGHEXKEPS	2
51	303247	ASSY, BLADE BRAKE	1
52-1	303246	BRAKE ARM	1
52-2	306973	BRAKE PAD - HARD - 232AF	1
52-3	135624	RIVET, TRSET .185DIA X .41LG ST	2
52	180077	SCREW, 5/16-18X .75 HHC	1
53	120393	WASHER, FLAT .344X .69X.065	1
54	1498	NUT, 5/16-18 REGHEXCTRLK	1
55	300316	ROD, BRAKE RELEASE 14.7 39DECK	1
56	1502	NUT, 1/4-20 REGHEXCTRLK	1
57	314702	SPACER, SLEV .344X1.00X .500PM	2
58	314702	SPACER, SLEV .344X1.00X .500PM	2

# 38" TONDEUSE AUTOPORTEE MODELE E3554-320

## BOÎTER DE TONDEUSE



UTILISEZ DES PIÈCES D'ORIGINE POUR CONSERVER L'APPLICATION DE LA GARANTIE.

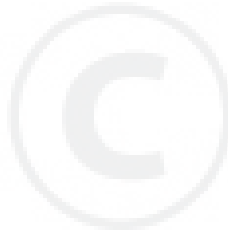
TOUTES LES PIÈCES NON REFÉREES SONT INTERCHANGEABLES AVEC LEURS OPPOSEES.

333274A



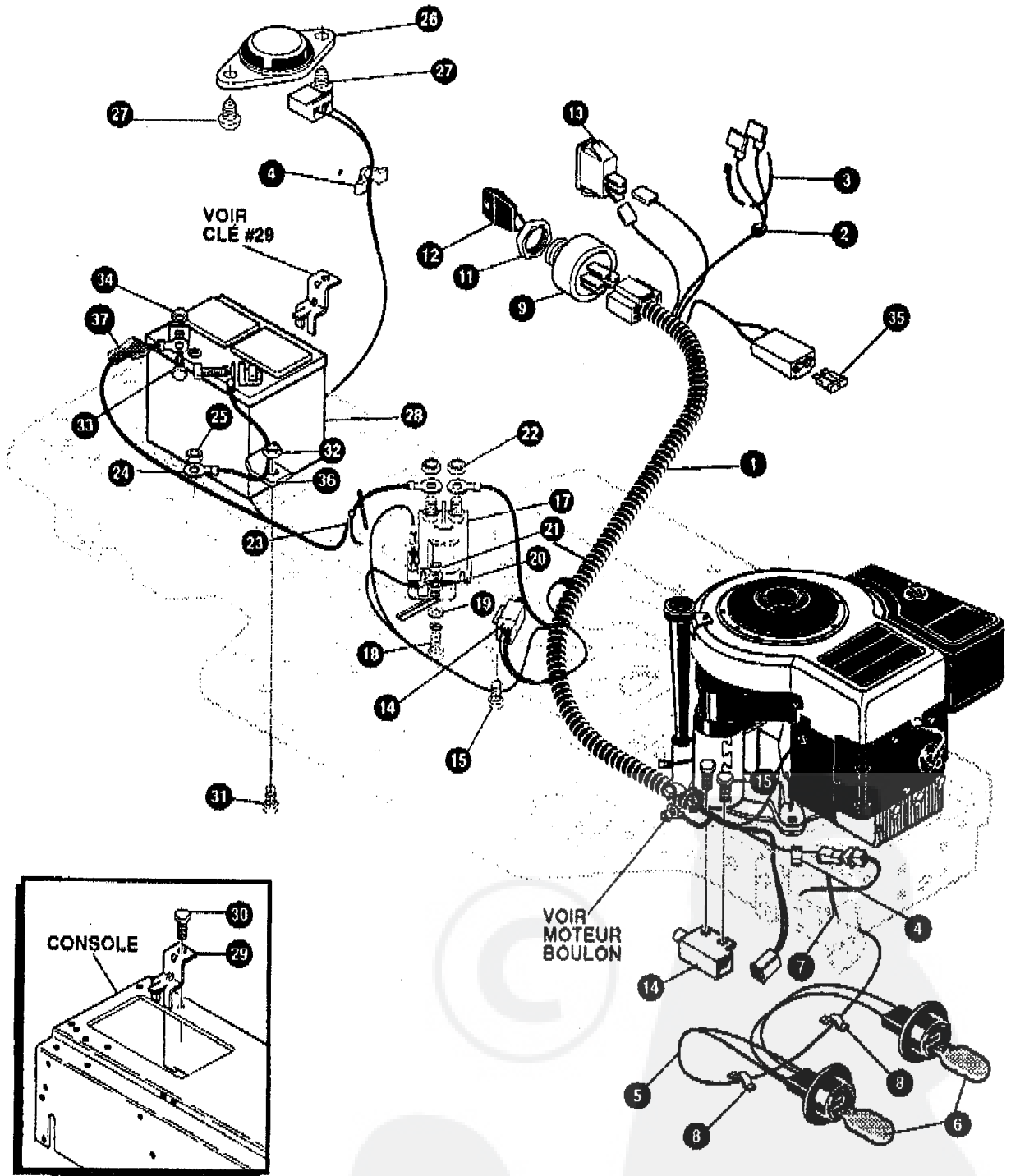
# 38" TONDEUSE AUTOPORTEE MODELE E3554-320

KEY#	PART#	DESCRIPTION	QTY
1	.	ASSY DECK SF 38"SD .....	1
2	58306	ROD, DECK HITCH Z-PL .....	1
3	8260	PIN, HAIR .091 DIA X 1.66LG .....	1
4	1348	RETAINER, BELT .....	1
5	310326	PULLEY, IDLER BFF 4.00 WIDE FL .....	1
6	57325	BOLT, 3/8-16X2.00 CARRSN .....	1
7	120382	WASHER, REGSPTLK.393X.68X.10 .....	1
8	120377	NUT, 3/8-16 REGHX .....	1
9	322064	SPRING, .75X8.4X.105 TENSION .....	1
10	328256	SPRING, .75X10.0X.105 TENSION .....	1
11	300680	BELT, V 5L 77.75 KEVLAR .....	1
12	328257	GUARD, BELT LH PLASTIC .....	1
13	180077	SCREW, 5/16-18X .75 HHC .....	3
14	120393	WASHER, FLAT .344X .69X.065 .....	3
15	1498	NUT, 5/16-18 REGHEXCTRLK .....	3
16	302611	GAUGE WHEEL, EURO 6.00ODX1.38WD .....	2
17	23763	BOLT, .500X1.390 HSSH 3/8-18 .....	2
18	1499	NUT, 3/8-16 REGHXCTRLK .....	2
19	57818	CHUTE DEFLECTOR .....	1
20	314975	SPRING, TORSION CHUTE DEFLECTOR .....	1
21	57317	PIVOT ROD, CHUTE .....	1
22	328034	PULLEY, ENG V3L 4.00 OFFSET .....	1
23	120383	WASHER, REGSPTLK.459X.78X.12 .....	1
24	433146	SCREW, 7/16-20X4.25 HHC .....	1
25	180128	SCREW, 3/8-16X1.75 HHC .....	1
26	1499	NUT, 3/8-16 REGHXCTRLK .....	2



# 38" TONDEUSE AUTOPORTEE MODELE E3554-320

## EQUIPEMENT ÉLECTRIQUE



UTILISEZ DES PIÈCES D'ORIGINE POUR CONSERVER L'APPLICATION DE LA GARANTIE.

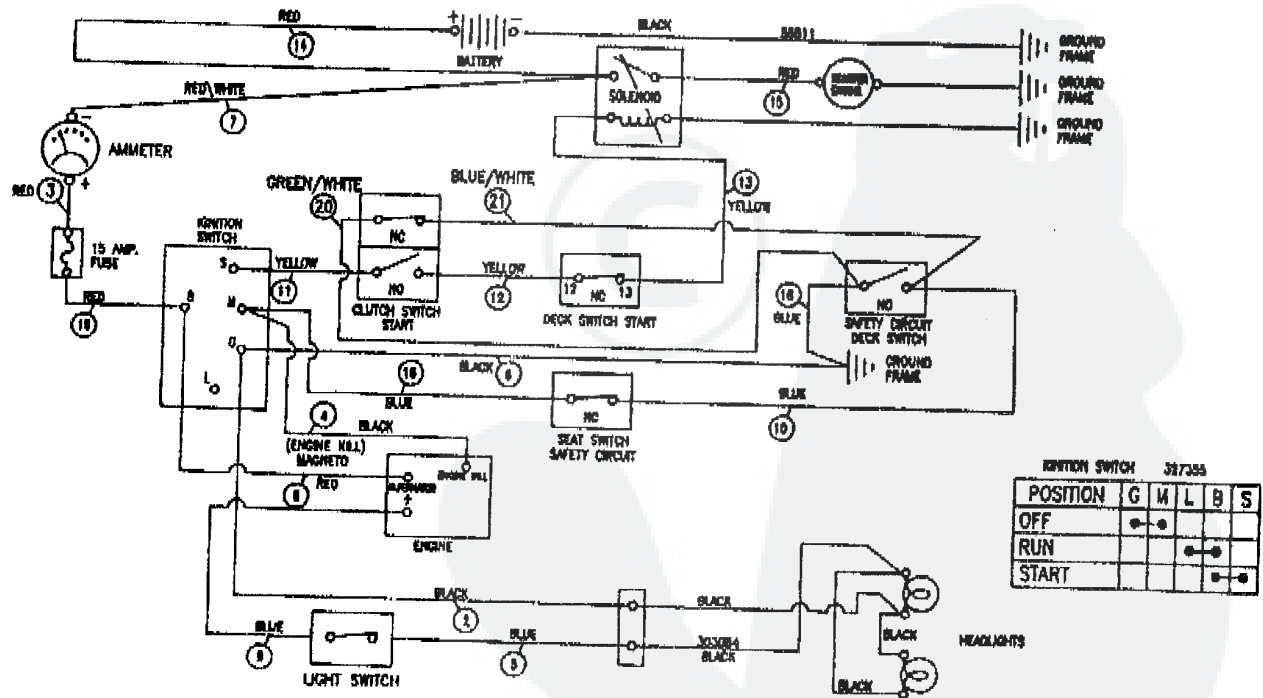
TOUTES LES PIÈCES NON RÉFÉRÉES SONT INTERCHANGIBLES AVEC LEURS OPPOSÉS.

332009A

# 38" TONDEUSE AUTOPORTEE MODELE E3554-320

KEY#	PART#	DESCRIPTION	QTY
1	331450	WIRE HARNESS	1
2	322298	SPLICER	1
3	57444	TIE, CABLE BLACK NYLON 5.62L	1
4	41482	PRESS CLIP, 1.380LG .255ID	2
5	303064	ASSY, LIGHT WIRE-1/4 TURN	1
6	52572	BULB, HEADLAMP	2
7	57444	TIE, CABLE BLACK NYLON 5.62L	1
8	41482	PRESS CLIP, 1.380LG .255ID	2
9	327355	SWITCH-IGN (AFTER FIRE) 3 POSN	1
11	327352	NUT, 5/8-8 ACME DELTA FOR BOOT	1
12	327350	KEY, IGNITION	1
13	300334	LIGHT SWITCH ON/OFF PANEL MNT	1
14	57476	SWITCH, SCR MNT DP NC NO BLK	2
15	300302	SCREW, #10 X .50 HHTAPPST BLK	4
17	53716	SOLENOID	1
18	187745	SCREW, 1/4-20X .75 HXSEMMA	2
19	1084	WASHER, FLAT .281X1.00X.063PL	1
20	1502	NUT, 1/4-20 REGHEXCTRLK	2
21	271172	NUT, 1/4-20 REGHEXKEPS	1
22	271187	NUT, 5/16-24 HKEPS	2
23	57444	TIE, CABLE BLACK NYLON 5.62L	1
24	55511	WIRE, GROUND, 12.5"	1
25	271184	NUT, 5/16-18 HEXKEPS	1
26	57547	SWITCH, SEAT	1
27	160505	SCREW, 1/4-20X .38PHPNHMA	2
28	302257	BATTERY, 12V	1
29	329175	BATTERY BRACKET	1
30	995346	SCREW, 1/4-20X .50 WAHHTAP	1
31	187745	SCREW, 1/4-20X .75 HXSEMMA	1
32	1502	NUT, 1/4-20 REGHEXCTRLK	1
33	180020	SCREW, 1/4-20X .75 HHC	2
34	271172	NUT, 1/4-20 REGHEXKEPS	2
35	302031	FUSE SPADE TYPE 32V 15A	1
36	9149	BRKT, CABLE RETAINER	1
37	308201	INSULATOR, BATTERY BOOT EURO	1

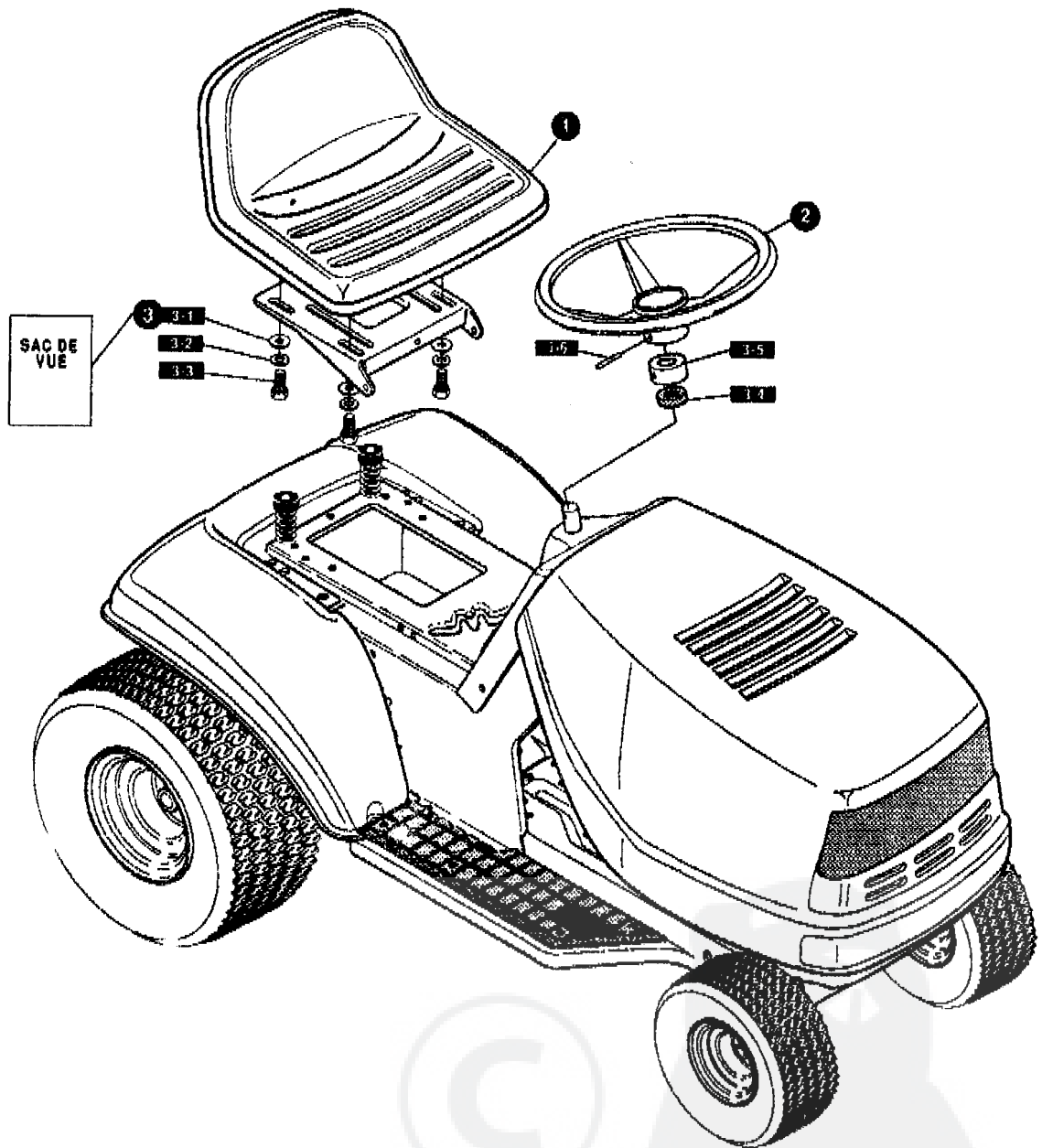
## SCHEMATIC WIRING



331450

# 38" TONDEUSE AUTOPORTEE MODELE E3554-320

## CHALAND ENSEMBLE



KEY#	PART#	DESCRIPTION	QTY
1	304314	SEAT, MICHIGAN W/SW HOLE .....	1
2	330510	STEERING WHEEL .....	1
3		PARTS BAG ASSY SEAT/STEER .....	1
1-1	120393	WASHER, FLAT .344X.69X.065 .....	4
1-2	120638	WASHER, HVSPTLK .328X.60X.09 .....	4
1-3	122007	SCREW, 5/16-18X.75 HMC .....	4
1-4	331322	COVER, STEERING SHAFT .....	1
1-5	301413	SPACER, STEERING SHAFT .....	1
1-6	456378	PIN, SPRING.250DIA X2.00LG HVPL .....	1
*		BATTERY ACID PACK, 80 OZ .....	1

\* MAY BE PURCHASED AT LOCAL HARDWARE STORES.

327405D