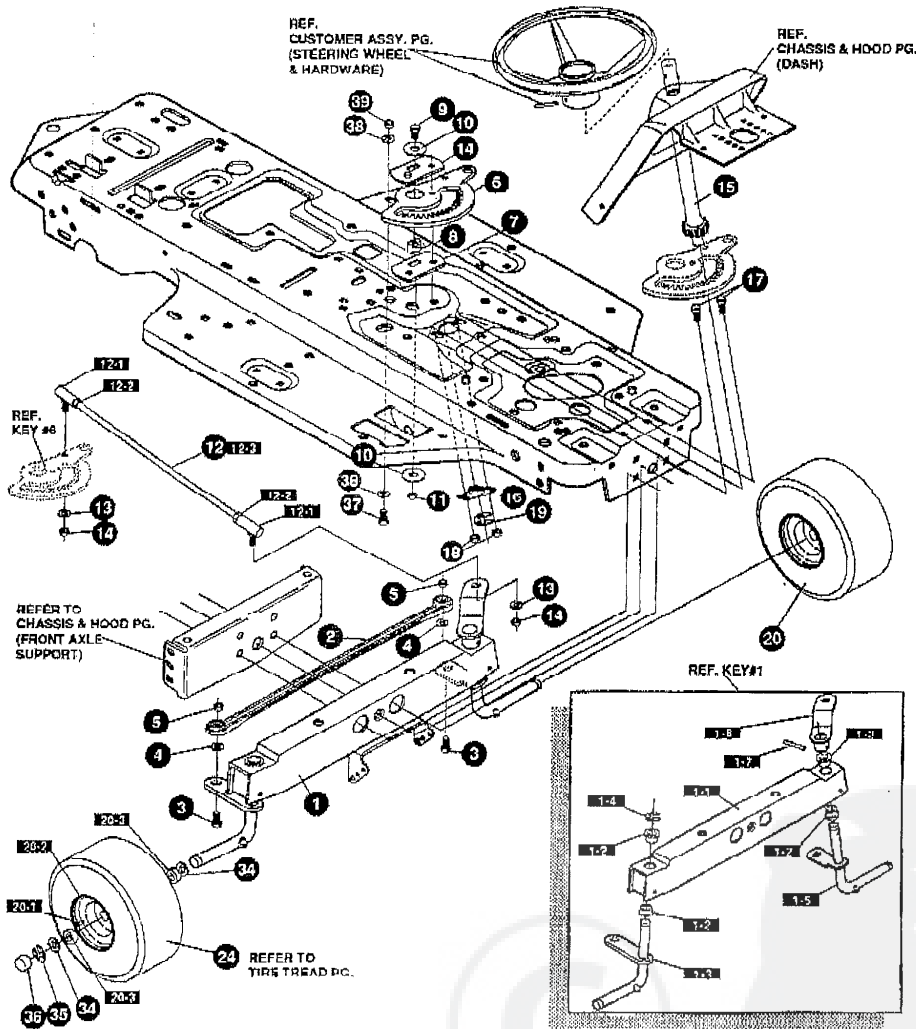


NOTE: ALWAYS USE ORIGINAL EQUIPMENT PARTS. Use of service/replacement parts other than original equipment parts may void your warranty.

ALL UNNUMBERED ITEMS ARE INTERCHANGEABLE WITH OPPOSITE SIDE

332917 A

KEY#	PART#	DESCRIPTION	QTY
1	332319-860	MAIN FRAME	1
2	310004	FOOT PAD, RH MOLDED DYNA	1
3	326791	FOOT PAD, LH MOLDED DYNA	1
4	309235	FASTENER, RATCHET BLACK	12
5	314579-853	BRACKET, GRILLE LH	1
6	314578-853	BRACKET, GRILLE RH	1
7	56362-853	BRKT. SUPPORT, FRONT AXLE-SF	1
8	328154	SCREW, 5/16-18X1.0WDFLK	6
9	55273	NUT, 5/16-18 HXWDFLK	6
10	29616	BOLT, .625X1.890 HSSH 1/2-20	1
11	274654	NUT, 1/2-20 REGHXCTRLK	1
12	180138	SCREW, 3/8-16X3.00 HHC	2
13	2483	WASHER, .931DX1.25DX.07 BELLVIL	2
14	1499	NUT, 3/8-16 REGHXCTRLK	2
15	331796-860	CONSOLE, DASH	1
16	56285-860	CONSOLE, NEAR COVER	1
17	995346	SCREW, 1/4-20X .50 WAHTAP	15
18	320466-860	DASH	1
19	44811	SCREW, 1/4-20X .75 WAHTAP	4
20	50352	NUT, 1/4-20 WDFLK TOPLOCK	2
22	8482	BOLT, .375X .156 HSSH 5/16-18	2
23	120394	WASHER, FLAT .406X .81X.065	2
24	120393	WASHER, FLAT .344X .69X.065	2
25	1498	NUT, 5/16-18 REGHEXCTRLK	2
26	57159	LATCH, .94WDX.047 ASSY HOOD	2
27	53446	PIN, 5/16-18 HOOD LATCH	2
28	138538	WASHER, REGINTLK.320X.61X.03	2
29	45174	NUT, 5/16-18 HEXWDFLK WHIZ	2
30	314538-860	HOOD	1
31	325401	GRILLE	1
32	274672	SCREW, 1/4-20X .63 WAHHC	4
33	120392	WASHER, FLAT .281X .63X.065	4
34	1502	NUT, 1/4-20 REGHEXCTRLK	4
35	36149	BOLT, .375X .500 HSSH 5/16-18	2
36	1498	NUT, 5/16-18 REGHEXCTRLK	2
37	302333	LENS, SMOKED W/TAB NO LOGO	1
39	57796	SCREW, #6 X .50 PLASTITE/HI-LO	4
40	56304	EDGING (78"-47453) WIDE BLK	25.0
41	311094	LANYARD, HOOD 11.75LG H15 VANG	1
42	120020	SCREW, 1/4-20X .75 HHC	1
43	120392	WASHER, FLAT .281X .63X.065	1
44	1502	NUT, 1/4-20 REGHEXCTRLK	1
45	991535-853	PLATE SEAT F5 SF/LF QUICK	1
46	20507	BOLT, .437X .156 HSSH 5/16-18	2
47	1498	NUT, 5/16-18 REGHEXCTRLK	2
48	330463	SPRING, SEAT 1.500DX2.25LG	2
49	120392	WASHER, FLAT .281X .63X.065	2
50	995346	SCREW, 1/4-20X .50 WAHTAP	2
51	332420-860	FENDER	1
52	995346	SCREW, 1/4-20X .50 WAHTAP	4
53	126358	BOLT, 5/16-18X1.00 CARRLN	2
55	55273	NUT, 5/16-18 HXWDFLK	2
56	55023	TRIM, 77.5" BLACK NARROW	77.5
60	50853	GUIDE, BELT	1
61	41529	NUT, 3/8-16 HXCTRLKJAM	1
62	271190	NUT, 3/8-16 HEXKEPS	1
63	333455	PARTS MANUAL	1
64	333454	OPERATOR'S MANUAL (ENGLISH)	1
65	333455	OPERATOR'S MANUAL (FRENCH)	1
66	333236	OPERATOR'S MANUAL (GERMAN)	1



NOTE: ALWAYS USE ORIGINAL EQUIPMENT PARTS. Use of service/replacement parts other than original equipment parts may void your warranty.

ALL UNNUMBERED ITEMS ARE INTERCHANGEABLE WITH OPPOSITE SIDE

324972 H

E3554-340

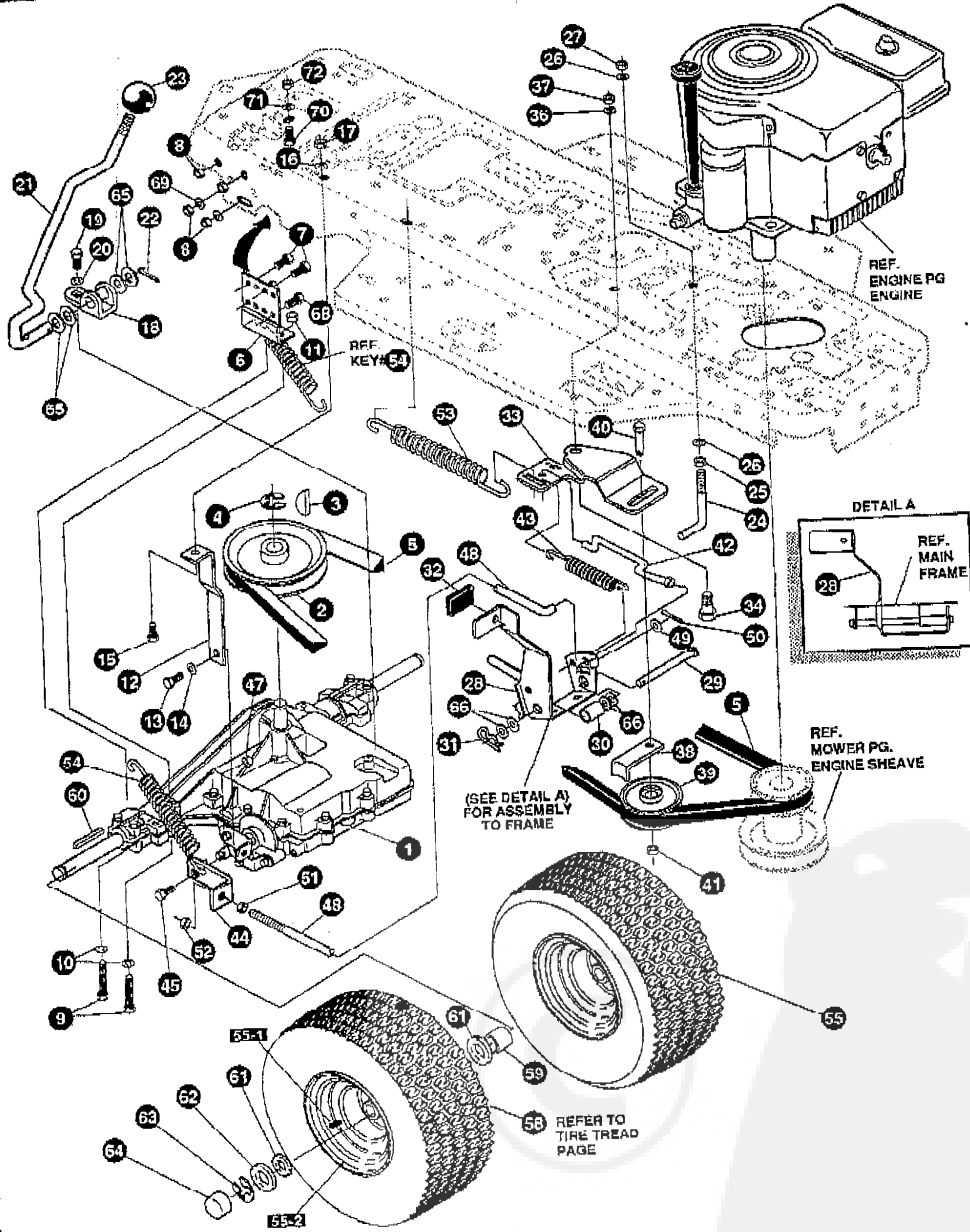
FRONT STEERING ASSEMBLY

KEY#	PART#	DESCRIPTION	QTY
1	A	AXLE FRONT ASSY, SF LONG	1
1-1	324915-853	ASSY FRONT AXLE SF GS	1
1-2	50546	BRNG, FL .759IDX1.002ODX.75	4
1-3	310368	SPINDLE ASSY, RH LONG	1
1-4	36625	RING, RETEX .57X.05TRU5133-75	1
1-5	310367	SPINDLE ASSY, LH LONG SF	1
1-6	327019-853	ARM ASSY SF 4WS FRNT STRNG	1
1-7	454565	PIN, SPRING.250DIA X1.25LG HVPL	1
2	302688	ASSY, TIE ROD 19.31 LG	1
3	180124	SCREW, 3/8-16X1.25 HHC	2
4	120382	WASHER, REGSPTLK.393X.68X.10	2
5	1499	NUT, 3/8-16 REGHXCTRLK	2
6	324752	GEAR, SECTOR SF4WS	1
7	553289	PLATE SECT SF 4WS BLK	2
8	330021	BUSHING, SECTOR GEAR SF 4WS	1
9	181643	SCREW, 3/8-24X1.50 HHC	1
10	845	WASHER, FL AT .390X1.25X.119	2
11	412349	NUT, 3/8-24 HXCTRLK	1
12	328608	DRAG LINK ASSY 17.69LG	1
12-1	57158	BALL JOINT 3/8 THD SHORT STUD	2
12-2	124925	NUT, 3/8-24 REGHEXJAM	2
12-3	58190	DRAG LINK	1
13	120382	WASHER, REGSPTLK.393X.68X.10	2
14	120382	NUT, 3/8-24 REGHEX	2
15	327834	SHAFT, PIN-STEER BLK	1
16	325692	BRNG, FL .50 IDX1.370ODX	1
17	326505	SCREW, 1/4-20X.75 (TO 30-35 FT#)	2
18	46931	NUT, 1/4-20 WDFL MAC-LOCK	2
19	20864	RING, RET E .39X.04TRU5133-50	1
20	302828	TIRE & RIM, PU 15X6.0X6	2
20-1	24167	VALVE STEM	
20-2	39829	RIM, WHEEL	
20-3	314416	BEARING, FL	
24		REFER TO TIRE TREAD PAGE	
34	642	WASHER, FLAT .755X1.31X.075	4
35	36625	RING, RETEX .57X.05TRU5133-75	2
36	40394	HUB CAP, 1.500ID X 7/8LG	2
37	180124	SCREW, 3/8-16X1.25 HHC	1
38	120394	WASHER, FLAT .406X .81X.065	2
39	45171	NUT, 3/8-16 HWDFL WHIZ-LOCK	1

* ORDER INDIVIDUAL PARTS

3554-340

REPAIR PARTS



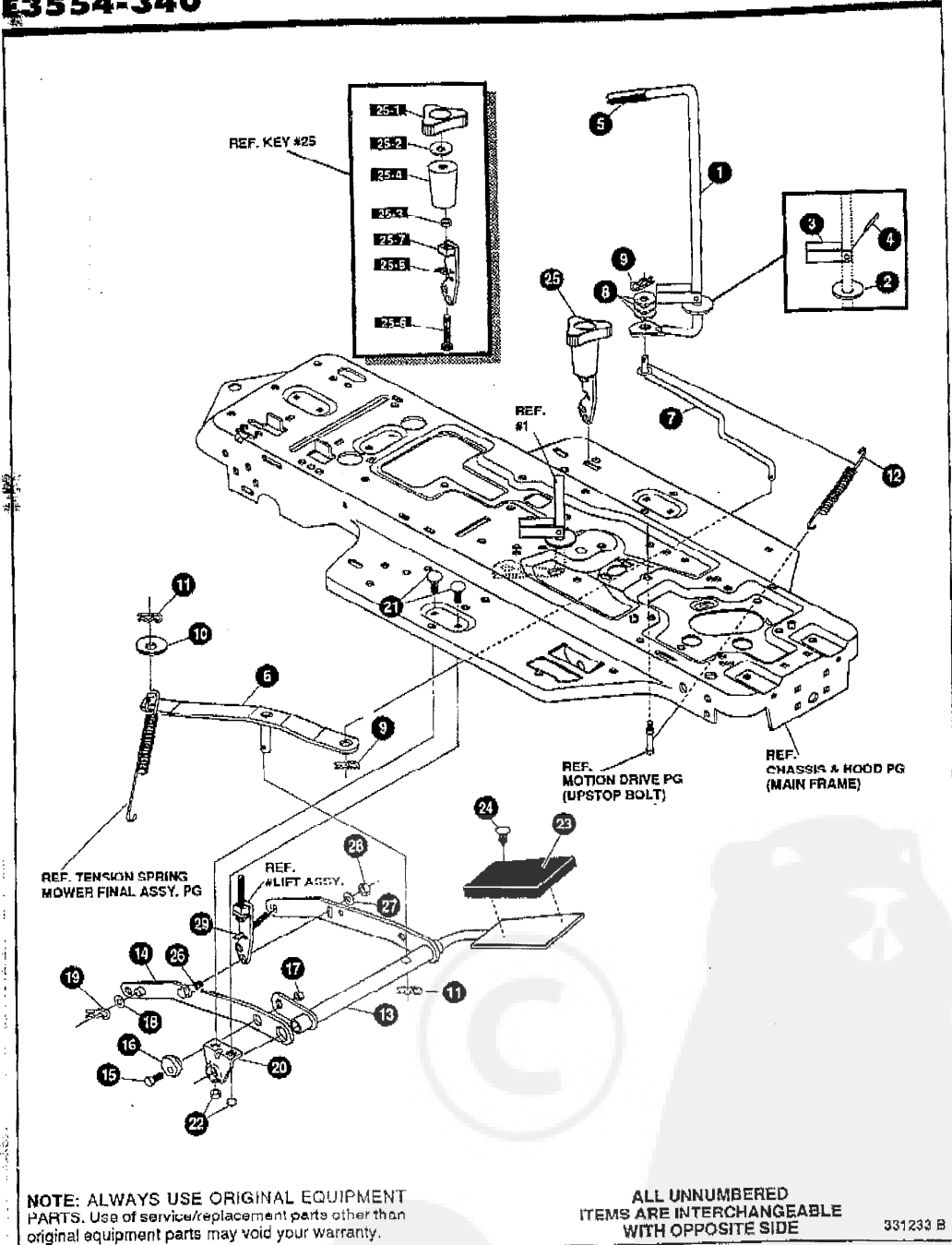
NOTE: ALWAYS USE ORIGINAL EQUIPMENT PARTS. Use of service/replacement parts other than original equipment parts may void your warranty.

ALL UNNUMBERED ITEMS ARE INTERCHANGEABLE WITH OPPOSITE SIDE

331791 D

KEY#	PART#	DESCRIPTION	QTY
1	^	TRANSAXLE POOTE 4360-5	1
2	303109	PULLEY, 6.6 OD V4L T/A	1
3	50795	KEY, HI-PRO 606 .75DIA X 1.87WD	1
4	22053	RING, RETEX .58X.03STRUS100-62	1
5	54758	BELT, V.4L 82.00 SF DRIVE	1
6	328615-653	BRACKET, TRANSAXLE	2
7	180077	SCREW, 5/16-18X .75 HHC	4
8	1498	NUT, 5/16-18 REGHEXOTRLK	8
9	180091	SCREW, 5/16-18X2.50 HHC	4
10	120393	WASHER, FLAT .344X .69X.065	4
11	1498	NUT, 5/16-18 REGHEXOTRLK	4
12	323126	BRKT, STABILIZER BLK	1
13	35498	SCREW, 5/16-18X .75 WAHHTAP	1
14	120638	WASHER, HVSPTLK 328X.60X.09	1
15	180079	SCREW, 5/16-18X1.00 HHC	1
16	138485	WASHER, EXLK .320X.61X.03	1
17	1498	NUT, 5/16-18 REGHEXOTRLK	1
18	331993	BRACKET, SHIFT F4360	1
19	56255	SCREW, 1/4-28X .75 NYLHHC	1
20	57157	WASHER, 750X.250 SP-TRANSAXLE	1
21	331800	SHIFT LEVER (DANA)	1
22	137185	PIN, COTTER, 125 DIA X 1.00LG	1
23	55514	KNOB, ROUND 1.50 DIA BLACK	1
24	49996	BELT GUIDE	1
25	271184	NUT, 5/16-18 HFXKFPS	1
26	120393	WASHER, FLAT .344X .69X.065	2
27	1498	NUT, 5/16-18 REGHEXOTRLK	1
28	331836	ASSY, PEDAL, BRAKE, CLUTCH SF	1
29	319676	PIN, CLEVIS, 500DX4.87LG	1
30	331972	SPACER, SLEV .53 X .62X1.240	1
31	56180	PIN, HAIR .091 DIA X 1.62LG	1
32	48761	PAD, CLUTCH/BRAKE PEDAL	1
33	321969	IDLER ARM BRKT TRACTION SF	1
34	329989	BOLT, .625X .135 HSH 5/16-18	1
35	45602	WASHER, FLAT .333X .87X.119	1
37	1498	NUT, 5/16-18 REGHEXOTRLK	1
38	39659	RETAINER, BELT	1
39	95374	PULLEY, IDLER V4L 3.06X .62	1
40	45892	ROI T, 3/8-16X1.50 CARRSN	1
41	1499	NUT, 3/8-16 REGHXOTRLK	1
42	333175	CLUTCH ROD ASSY, .268 DIA 3.92	1
43	326780	SPRING, 3/8ODX2.18 X.055 TENSION	1
44	323127	BRKT, BRAKE ROD BLK	1
45	20507	BOLT, .437X .156 HSH 5/16-18	1
47	1498	NUT, 5/16-18 REGHEXOTRLK	1
48	323222	BRAKE ROD, RIDER BLK	1
49	120393	WASHER, FLAT .344X .69X.065	1
50	121222	PIN, COTTER .090 DIA X .75LG	1
51	271184	NUT, 5/16-18 HEXKEPS	1
52	1498	NUT, 5/16-18 REGHEXOTRLK	1
53	327867	SPRING, 3/4 OD X 7.75X.091 TENSION	1
54	35410	SPRING .071 X .62 X 4.37	1
55	881780	TIRE & RIM, PU 18X8.5X8	2
55-1	24167	VALVE STEM	
55-2	326362	RIM, WHEEL	
58		REFER TO TIRE TREAD PAGE	
59	57479	SPACER, SLEV .75 X 1.25X1.32	2
60	52928	KEY, SQUARE, 1.87SQ X 2.25LG	2
61	642	WASHER, FLAT .755X1.31X.075	4
62	42810	WASHER, FLAT .755X1.53X.07	2
63	36625	RING, RETEX .57X.05TRU5133-75	2
64	40394	HUB CAP, 1.800ID X 7/8LG	2
65	5950	WASHER, FLAT .505X .88X.13	4
66	2968	WASHER, FLAT .504X .75X.059	4
68	327917	SCREW, 5/16-18X1.50HHCFT	4
69	73787	WASHER, FLAT .330X .75X.1793	4
70	180022	SCREW, 1/4-20X1.00 HHC	1
71	120380	WASHER, REGSPTLK 263X.49X.07	1
72	120375	NUT, 1/4-20 REGHEX	1

^ CONTACT YOUR NEAREST TRANSAXLE DEALER FOR PARTS & SERVICE



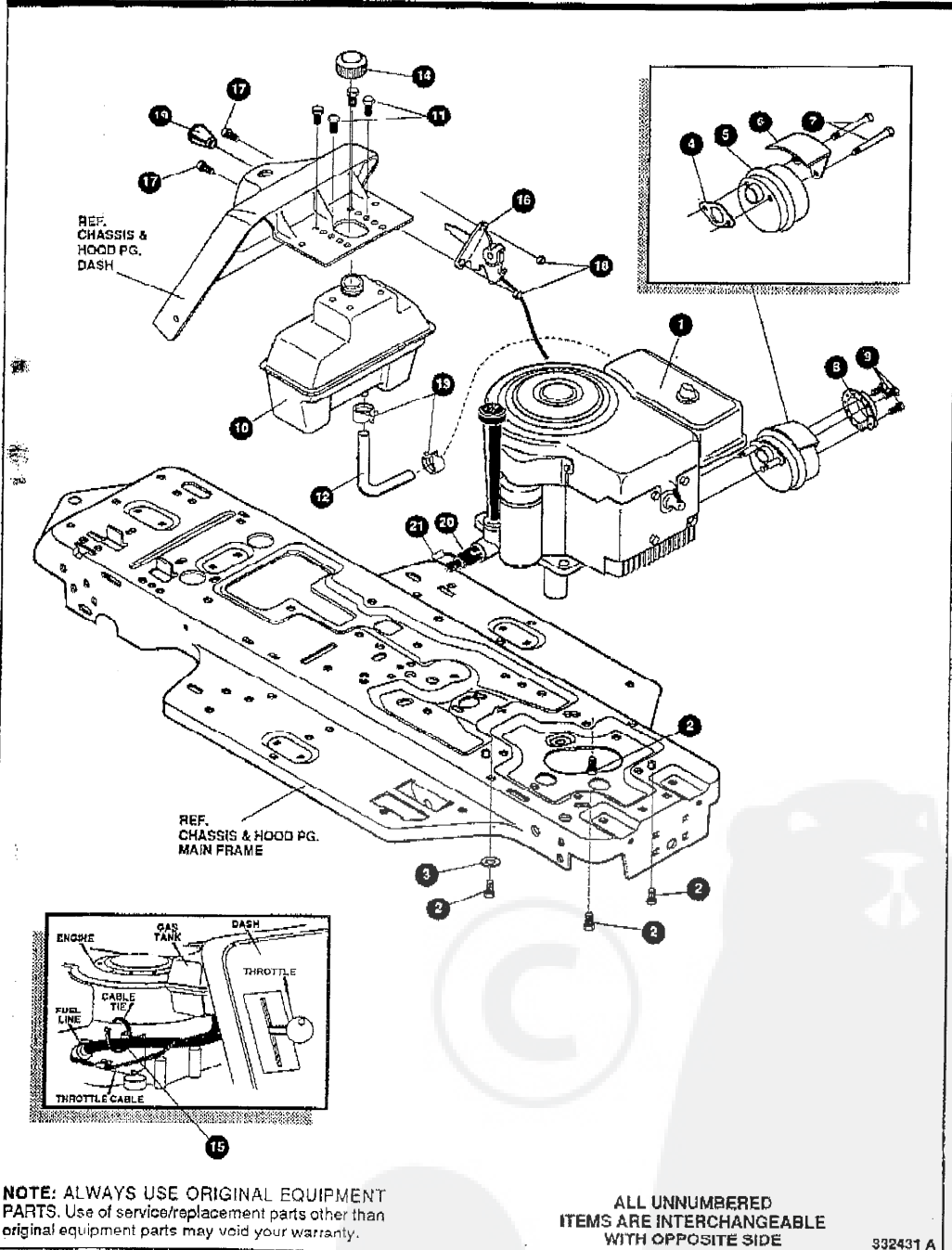
NOTE: ALWAYS USE ORIGINAL EQUIPMENT PARTS. Use of service/replacement parts other than original equipment parts may void your warranty.

ALL UNNUMBERED ITEMS ARE INTERCHANGEABLE WITH OPPOSITE SIDE

331233 B

E3554-340

REPAIR PARTS



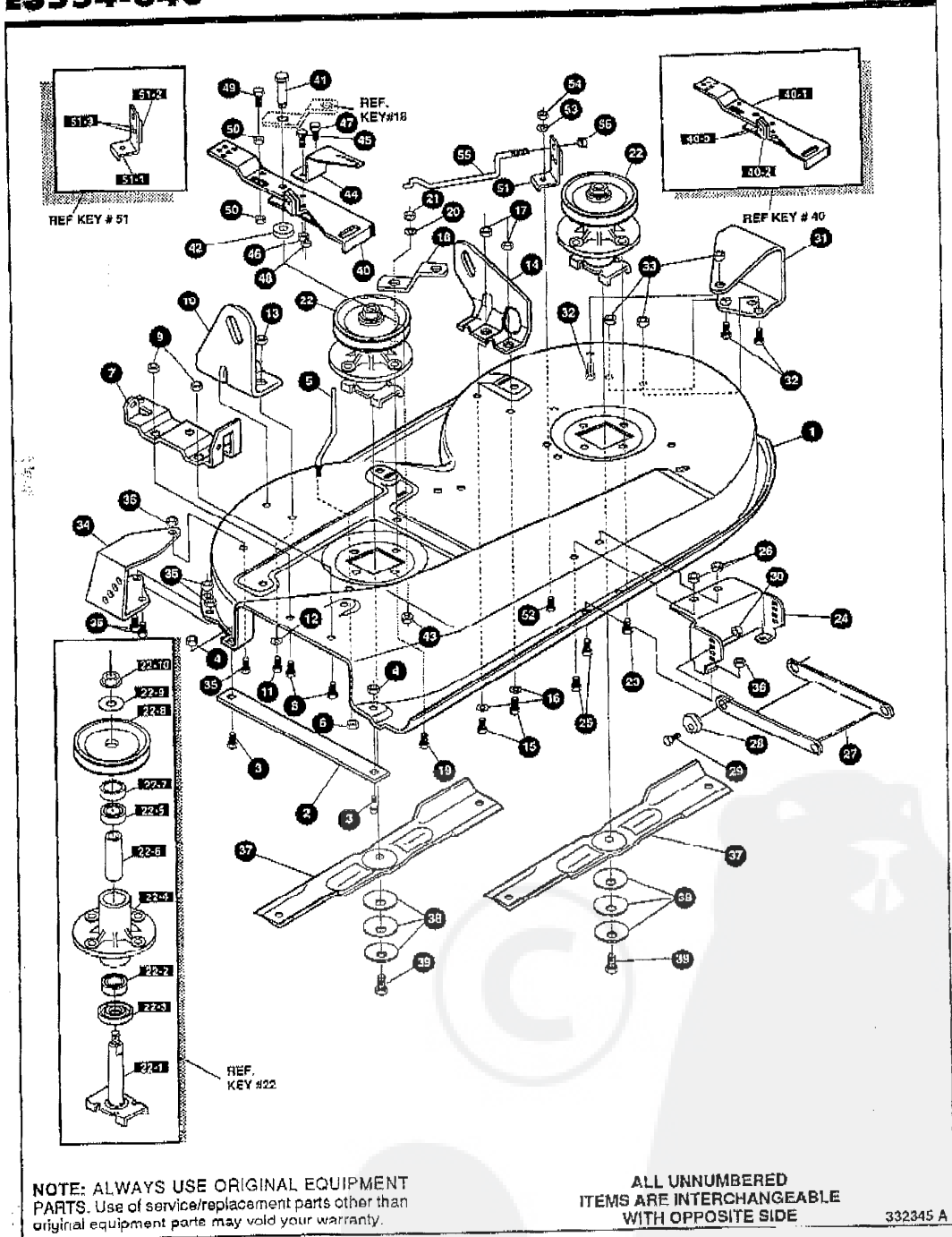
KEY#	PART#	DESCRIPTION	QTY
1	325591	LEVER, CLUTCH RH PTO.....	1
2	22265	WASHER, FLAT .515X1.38X.119.....	1
3	305225	STOP, PTO ENGAGE.....	1
4	326386	PIN, SPRING, 1.87 DIA X 1.13 LG HD.....	1
5	55514	KNOB, ROUND 1.50 DIA OR GRIP.....	1
6	325587	STRAP ASSY, PTO BELCRANK.....	1
7	325590	ROD, BELCRANK LINK.....	1
8	274517	WASHER, FLAT .406X.79X.063.....	3
9	8260	PIN, HAIR .091 DIA X 1.66 LG.....	2
10	25210	WASHER, FLAT .386X1.25X.09.....	1
11	8260	PIN, HAIR .091 DIA X 1.66 LG.....	2
12	325802	SPRING, .65X7.75X.0897 TENSION.....	1
13	326533-853	LIFT ASSY, LH PEDAL-LIFT.....	1
14	325130-853	LIFT ASSY, RH SF.....	1
15	100079	SCREW, 5/16 1.9X1.00 HHC.....	1
16	59247	NUT, ADJUST.....	1
17	1498	NUT, 5/16-18 REG HEX CTRLK.....	1
18	417098	WASHER, FLAT .531X1.06X.063.....	2
19	8260	PIN, HAIR .091 DIA X 1.66 LG.....	2
20	325495-853	BRACKET, REAR HANG SUSP.....	1
21	330967	BOLT, 5/16-18X1.00 CAR.....	4
22	1498	NUT, 5/16-18 REG HEX CTRLK.....	4
23	328596	PAD, LIFT PEDAL.....	1
24	309235	FASTENER, RATCHET BLACK.....	1
25	327934	ASSY LATCH SUS MOWER SF.....	1
25-1	325860	KNOB, FLUTED TORQUE BLACK.....	1
25-2	446268	WASHER, FLAT .375X.88X.082.....	1
25-3	45905	NUT, 3/8-16 HWD FLK MACK.....	1
25-4	386110	COVER, TOP BLEEVE PEDAL LIFT.....	1
25-5	324983	WASHER, RUBBER 3/8X.75SQ.....	1
25-6	325832	BOLT, SUS MOWER LATCH SF.....	1
25-7	325831-853	LATCH, SUS MOWER SF.....	1
26	25086	BOLT, .500X.375 HSSH 5/16-18.....	1
27	4230	WASHER, FLAT .328X.68X.104.....	1
28	1498	NUT, 5/16-18 REG HEX CTRLK.....	1
29	35410	SPRING .071 X .62 X 4.97.....	1

E3554-340**ENGINE & CONTROL ASSEMBLY**

KEY#	PART#	DESCRIPTION	QTY
1	ENGINE	10-12HP B&S 3A(SEE ENGINE MANUAL)	1
2	50947	SCREW, 3/8-16X1.25 WAHHTAPBLKP	4
3	136469	WASHER, EXLK .804X.69X.04	1
4	46708	GASKET, MUFFLER	1
5	57908	MUFFLER-DOM/EXP ROUND	1
6	54767	SHIELD, HFAT, FOR ROUND MUFFLER	1
7	54980	SCREW, 5/16-18X3.50 HHC	2
8	323423	DEFLECTOR, MUFFLER PARTIAL	1
9	35287	SCREW, #8-32X .38 HHWATAP	3
10	314989	TANK, FUEL 1 GAL CLEAR	1
11	300303	SCREW, .25X.75X.61HHWAPLASTITE	4
12	42258	TUBING, .25X.50X BULK GAS LINE	12.0
13	47945	CLAMP, HOSE SCREW TYPE	2
14	46704	CAP, GAS 1-1/2-7 THD BLK	1
15	57444	TIE, CABLE BLACK NYLON 5.62L	1
16	320031	THROTTLE CONTROL	1
17	274707	SCREW, 10-24X .50 WAHMA	2
18	308459	NUT, #10-24 HXHDNYLK	2
19	50607	KNOB, ROUND THROTTLE BLACK	1
20	325547	OIL DRAIN VALVE ASSEMBLY	1
21	327422	CAP, OIL DRAIN VALVE ASM, YELLOW	1

E3554-340

REPAIR PARTS



NOTE: ALWAYS USE ORIGINAL EQUIPMENT PARTS. Use of service/replacement parts other than original equipment parts may void your warranty.

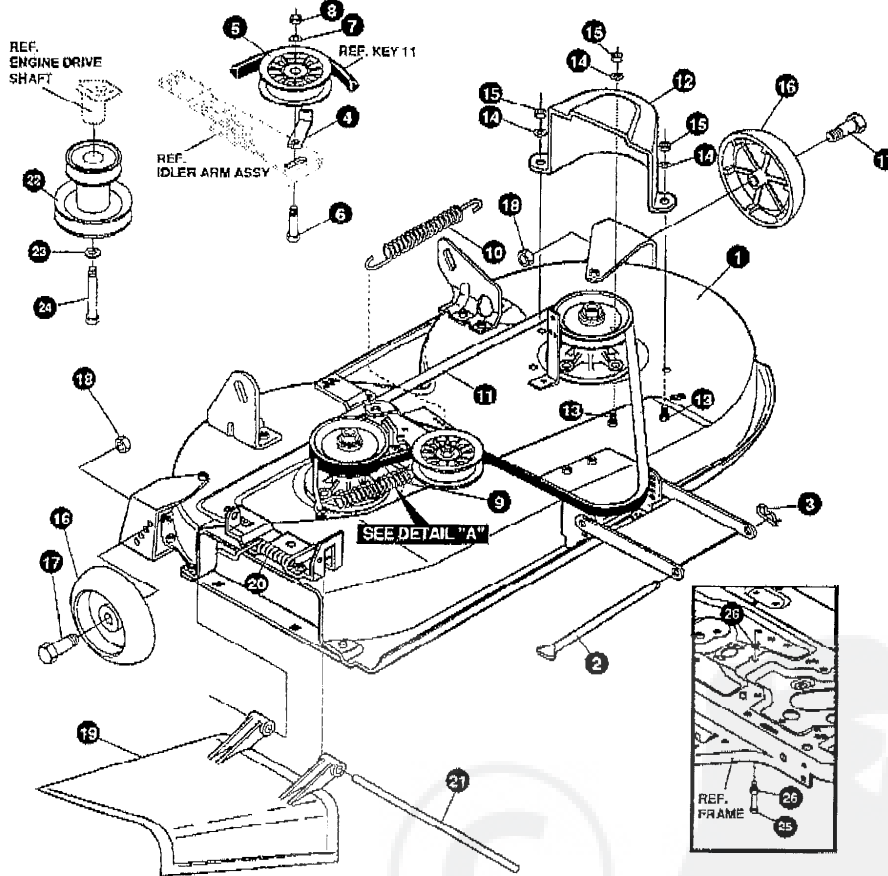
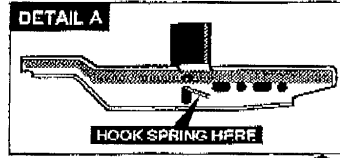
ALL UNNUMBERED ITEMS ARE INTERCHANGEABLE WITH OPPOSITE SIDE

332345 A

E3554-340

PRE-PAINTED DECK ASSEMBLY

KEY#	PART#	DESCRIPTION	QTY
1	325106	39" DECK KIT	1
2	326295-853	BAR, SKID	1
3	126216	BOLT, 5/16-18X.75 CARPLN	2
4	271184	NUT, 5/16-18 HEXKEPS	2
5	57318	GUIDE, BELT 5/16-18 THD	1
6	1498	NUT, 5/16-18 REGHEXCTRLK	1
7	313928	BRACKET, CHUTE BLK 853	1
8	180073	SCREW, 5/16-18X.50 HHC	2
9	1498	NUT, 5/16-18 REGHEXCTRLK	2
10	313929	LIFT BRKT, REAR RH BLK 853	1
11	180077	SCREW, 5/16-18X.75 HHC	2
12	120393	WASHER, FLAT .344X.69X.065	2
13	1498	NUT, 5/16-18 REGHEXCTRLK	2
14	310667	BRACKET, DECK LIFTREAR LHBLK	1
15	180077	SCREW, 5/16-18X.75 HHC	2
16	120393	WASHER, FLAT .344X.69X.065	2
17	1498	NUT, 5/16-18 REGHEXCTRLK	2
18	315802-853	BRACKET, IDLER SUPPORT	1
19	300345	SCREW, 5/16-18X1.38 WAHTAP	1
20	120393	WASHER, FLAT .344X.69X.065	1
21	1498	NUT, 5/16-18 REGHEXCTRLK	1
22	56424-853	QUILL ASSY, 36/39/40/43	2
22-1	56425	SHAFT/SADDLE 36"	1
22-2	49562	BRNG, BALL 6203-2AA(SEALS)-C3	1
22-3	50818	DUST SHIELD	1
22-4	55547	QUILL CASTING (1046)	1
22-5	49562	BRNG, BALL 6203-2AA(SEALS)-C3	1
22-6	50818	SPACER, SLEV .669X.89X3.797	1
22-7	51449	SPACER, SLEV .672X.93X.438PM	1
22-8	313888	PULLEY ASSY	1
22-9	56365	WASHER, SPECIAL QUILL	1
22-10	1282	NUT, 7/16-20 WDFLLK	1
24	312526	LIFT SUPPORT FRONT DECK	1
25	180077	SCREW, 5/16-18X.75 HHC	4
26	1498	NUT, 5/16-18 REGHEXCTRLK	4
27	58305-853	BRACKET, LINK DECK FRONT	1
28	58247	NUT, ADJUST	2
29	180079	SCREW, 5/16-18X1.00 HHC	2
30	1498	NUT, 5/16-18 REGHEXCTRLK	2
31	312477	WHEEL BRKT, LH BLK	1
32	180077	SCREW, 5/16-18X.75 HHC	3
33	1498	NUT, 5/16-18 REGHEXCTRLK	3
34	300102-853	WHEEL BRKT, RH	1
35	180077	SCREW, 5/16-18X.75 HHC	3
36	1498	NUT, 5/16-18 REGHEXCTRLK	3
37	309069	BLADE, 19.5 STD-LIFT BLK853	2
38	2483	WASHER, 39IDX1.25DX.07 BELLVIL	6
39	39573	SCREW, 3/8-24X1.00 NYLHHC	2
40	300491-853	BRACKET, IDLER ARM/BRAKE	1
40-1	300490-853	IDLER ARM 36,38,39,845SD	1
40-2	306973	BRAKE PAD - HARD - 232AF	1
40-3	41601	RIVET, OVSET, 187DIA, .50LG ST	2
41	300180	BOLT, 50 X1.88 HSSH 3/8-16	1
42	996416	WASHER, FLAT .391X1.00X.125	1
43	45171	NUT, 3/8-16 HWDPL WHIZ-LOCK	1
44	928240-853	BRACKET, EXTENSION IDLER	1
45	180077	SCREW, 5/16-18X.75 HHC	1
46	1498	NUT, 5/16-18 REGHEXCTRLK	1
47	180020	SCREW, 1/4-20X.75 HHC	1
48	1502	NUT, 1/4-20 REGHEXCTRLK	1
49	121954	SCREW, 1/4-20X2.00 HHC	1
50	271172	NUT, 1/4-20 REGHEXKEPS	2
51	303247-853	AGSY, BLADE BRAKE 36,39,45	1
51-1	303246	BRAKE ARM	1
51-2	306973	BRAKE PAD - HARD - 232AF	1
51-3	135624	RIVET, TRSET, 185DIA, .41LG ST	2
52	180077	SCREW, 5/16-18X.75 HHC	1
53	120393	WASHER, FLAT .344X.69X.065	1
54	1498	NUT, 5/16-18 REGHEXCTRLK	1
55	300316	ROD, BRAKE RELEASE 14.7 39DECK	1
56	1502	NUT, 1/4-20 REGHEXCTRLK	1



NOTE: ALWAYS USE ORIGINAL EQUIPMENT PARTS. Use of service/replacement parts other than original equipment parts may void your warranty.

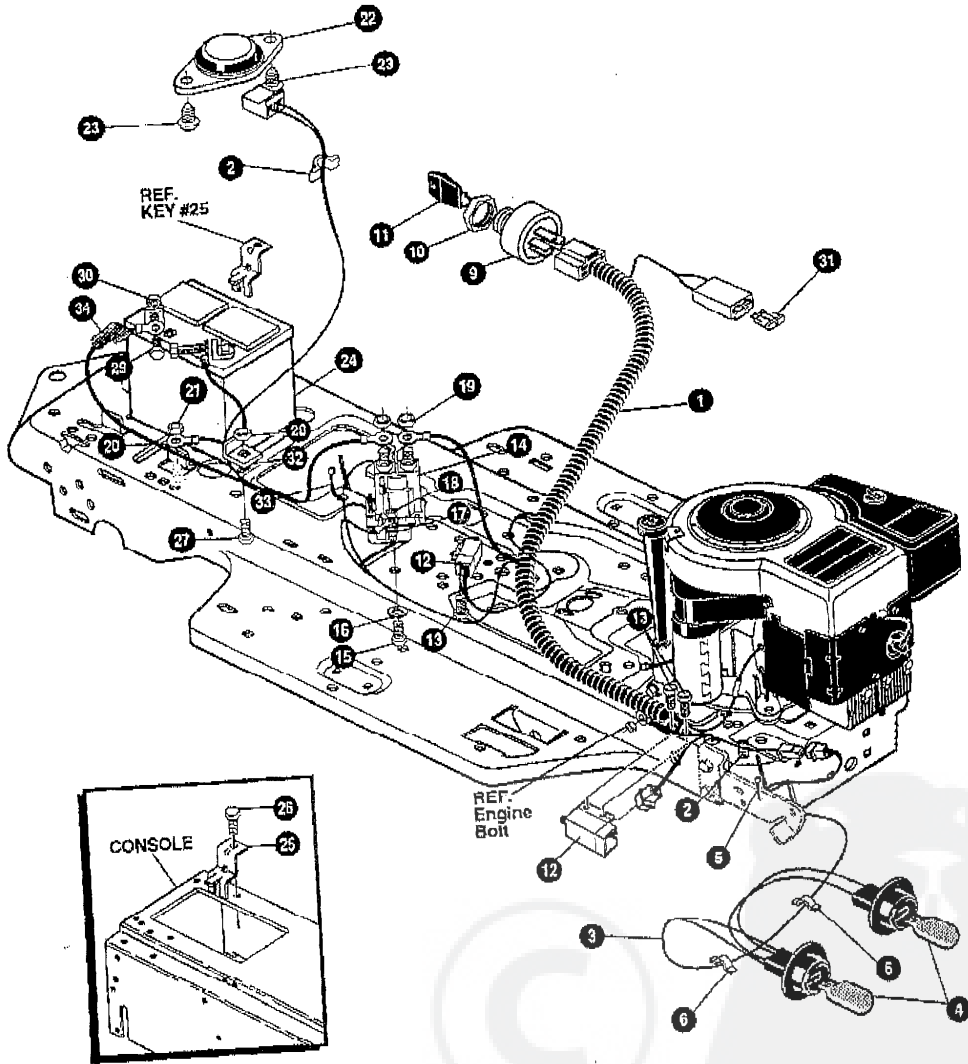
ALL UNNUMBERED ITEMS ARE INTERCHANGEABLE WITH OPPOSITE SIDE

332346 A

KEY#	PART#	DESCRIPTION	QTY
1	329456	SUB ASSY DECK SF 39SD	1
2	58306	ROD, DECK HITCH	1
3	8260	PIN, HAIR .091 DIA X 1.66 LG	1
4	1346	RETAINER, BELT	1
5	310326	PULLEY, IDLER BFF 4.00 WIDE FL	1
6	57325	BOLT, 3/8-16 X 2.00 CARRSN	1
7	120332	WASHER, REGSPTLK.393X.69X.10	1
8	120377	NUT, 3/8-16 REGHX	1
9	322064	SPRING, .75X8.4X.105 TENSION	1
10	326256	SPRING, .75X10.0X.105 TENSION	1
11	300690	BELT, V 5L 77.75 KEVLAR	1
12	329257	GUARD, BELT LH PLASTIC	1
13	180077	SCREW, 5/16-18 X .75 HHC	3
14	120393	WASHER, FLAT .344X.69X.065	3
15	1498	NUT, 5/16-18 REGHXCTRLK	3
16	302611	GAUGE WHEEL, EURO 6.00 ODX 1.38 WD	2
17	23763	BOLT, .500 X 1.390 HSH 3/8-16	2
18	1499	NUT, 3/8-16 REGHXCTRLK	2
19	57818	CHUTE DEFLECTOR 36°, 39°, 45°	1
20	314975	SPRING, TORSION CHUTE DEFLECTOR	1
21	57317	PIVOT ROD, CHUTE	1
22	322034	PULLEY, ENG V8L 4.00 OFFSET	1
23	120393	WASHER, REGSPTLK.459X.78X.12	1
24	433146	SCREW, 7/16-20 X 4.25 HHC BLK	1
25	180128	SCREW, 3/8-16 X 1.75 HHC	1
26	1499	NUT, 3/8-16 REGHXCTRLK	2

REPAIR PARTS

E3554-340



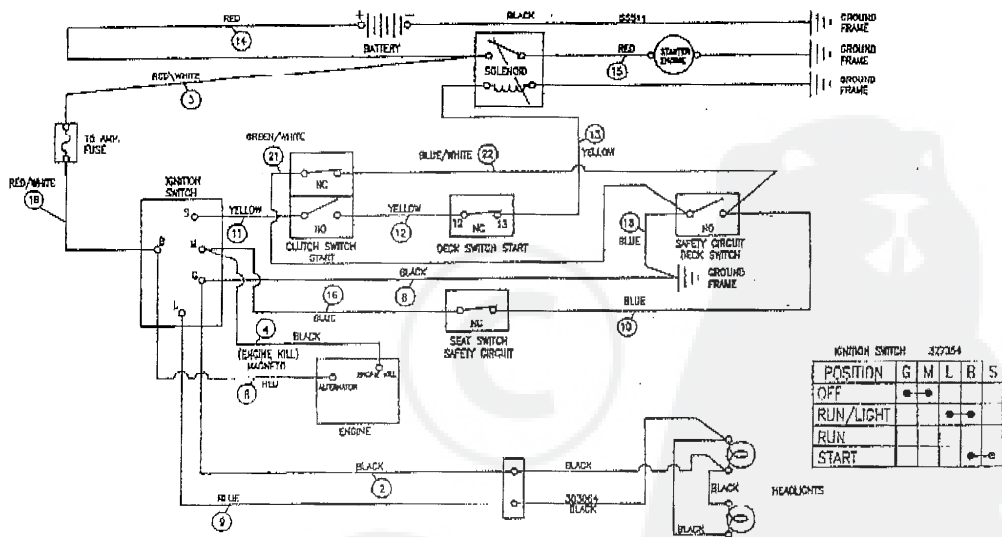
NOTE: ALWAYS USE ORIGINAL EQUIPMENT PARTS. Use of service/replacement parts other than original equipment parts may void your warranty.

ALL UNNUMBERED ITEMS ARE INTERCHANGEABLE WITH OPPOSITE SIDE

331669 B

KEY#	PART#	DESCRIPTION	QTY
1	331739	WIRE HARNESS SF 8-129&S	1
2	41482	PRESS CLIP, 1.380LG, .255ID	2
3	303064	ASSY, LIGHT WIRE-1/4 TURN	1
4	52572	BULB, HEADLAMP	2
5	57444	TIE, CABLE BLACK NYLON 5.62L	1
6	41482	PRESS CLIP, 1.380LG, .255ID	2
9	327354	SWITCH, IGNITION & LIGHTS DELTA	1
10	327352	NUT, 5/8-8ACME DELTA FOR BOOT	1
11	327350	KEY, IGNITION GENERIC DELTA	1
12	57476	SWITCH, SCR MNT DP NC NO BLK	2
13	300302	SCREW, #10 X .50 HHTAPPST BLK	4
14	53716	SOLENOID	1
15	187745	SCREW, 1/4-20X .75 HXSEMMA	2
16	1004	WASHER, FLAT .281X1.00X.063PL	1
17	1502	NUT, 1/4-20 REGHEXCTRLK	2
18	271172	NUT, 1/4-20 REGHEXKEPS	1
19	271187	NUT, 5/16-24 HKEPS	2
20	55511	WIRE, GROUND, 12.5"	1
21	271184	NUT, 5/16-18 HEXKEPS	1
22	57547	SWITCH, SEAT	1
23	160505	SCREW, 1/4-20X .58PHIPNHMA	2
24	302257	BATTERY, 12V	1
25	329175	BATTERY BRACKET	1
26	995346	SCREW, 1/4-20X .50 WAHHTAP	1
27	187745	SCREW, 1/4-20X .75 HXSEMMA	1
28	1502	NUT, 1/4-20 REGHEXCTRLK	1
29	180020	SCREW, 1/4-20X .75 HHC	2
30	271172	NUT, 1/4-20 REGHEXKEPS	2
31	302031	FUSE SPADE TYPE 32V 15A	1
32	9149	BRKT, CABLE RETAIN	1
33	57444	TIE, CABLE BLACK NYLON 5.62L	1
34	308201	INSULATOR, BATTERY BOOT EURO	1

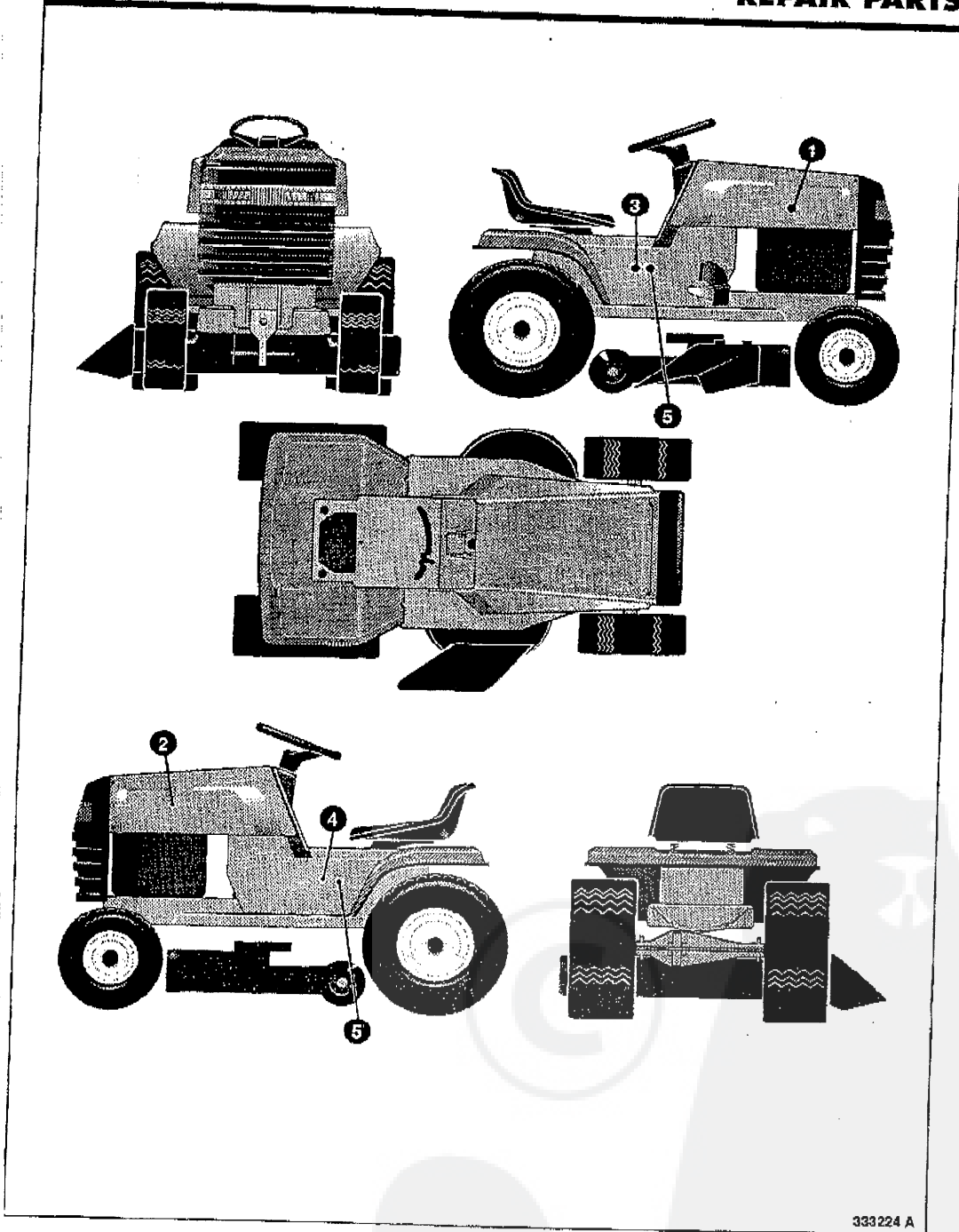
SCHEMATIC WIRING



331739

E3554-340

REPAIR PARTS



333224 A

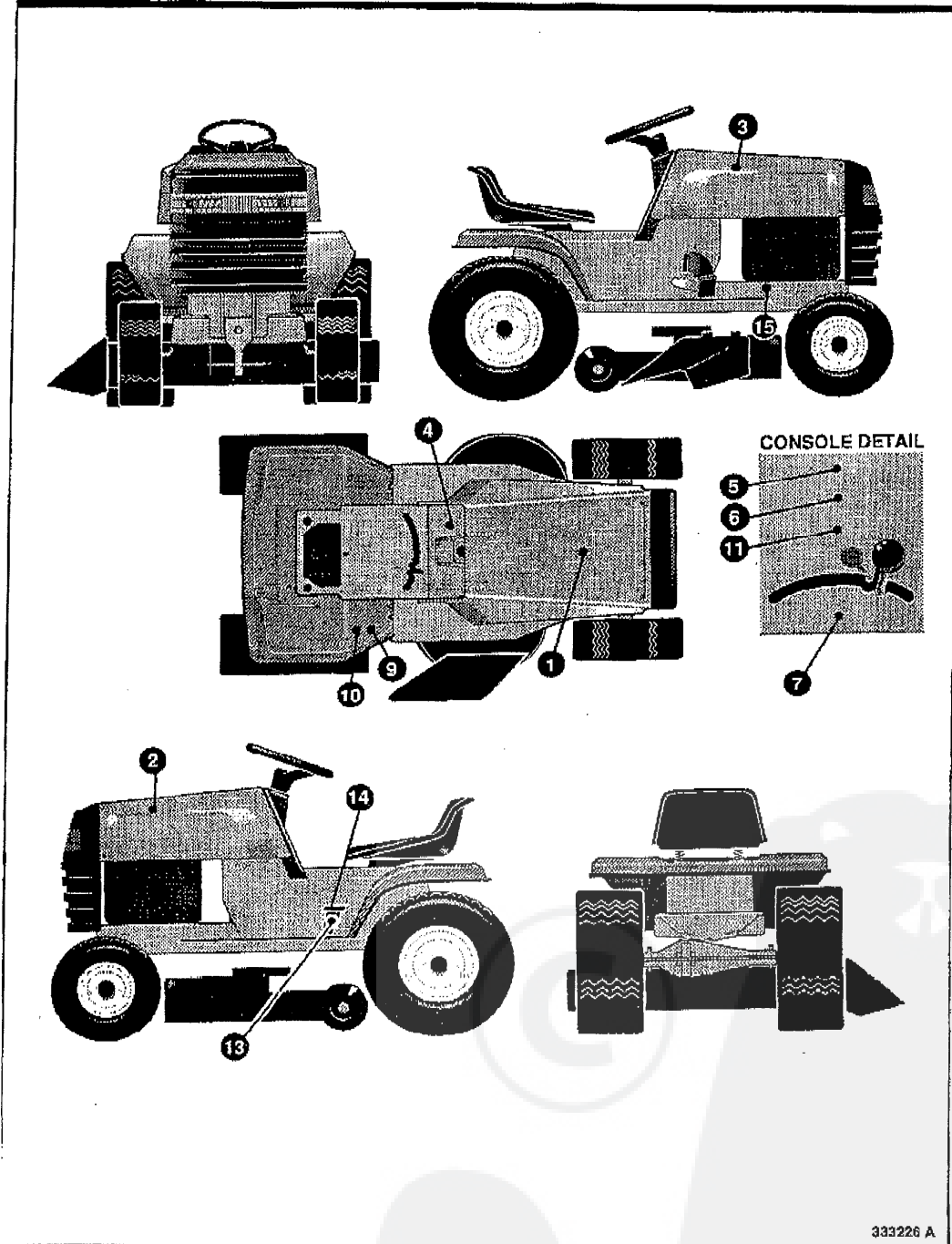
E3554-340

DECAL ASSEMBLY

KEY#	PART#	DESCRIPTION	QTY
1	55832	PAD, FOAM TOP HOOD H-4	1
2	55833	PAD, FOAM HOOD H-4 SIDE LH	1
3	55834	PAD, FOAM HOOD H-4 SIDE RH	1
4	325587	DECAL DASH, DYNAMARK EXP	1
5	69525	DECAL, INSTRUCT CONSOLE TOP FR	1
6	69524	DECAL, INSTRUCT CONSOLE TOP GER	1
7	307383	DECAL, INSTR. CONSOLE TOP ENGL	1
9	305770	DECAL, CAUTION TRIANGLE EUROPE	1
10	68902	DECAL, WARNING, FRENCH/GERMAN	1
11	301104	DECAL, CONSOLE TOP SHIFT 5-SP	1
12	332359	DECAL, CERT, DE CONFORMITE 1994	1
13	320892	DECAL, INSTR PEDAL LIFT	1
14	327146	DECAL, PEDAL-LIFT INDICATOR	1
15	68903	DECAL, BRAKE/CLUTCH ISO	1

E3554-340

REPAIR PARTS



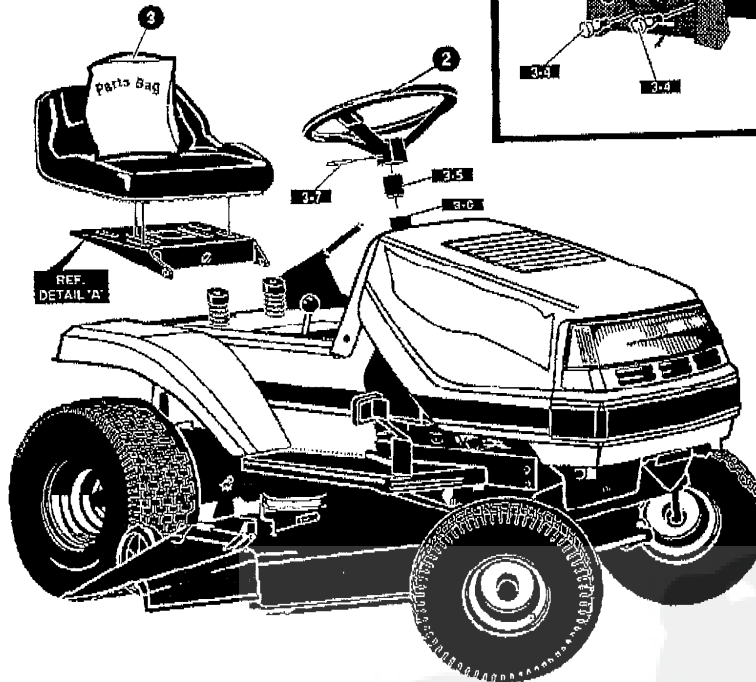
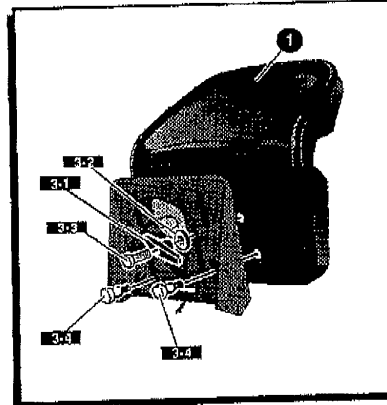
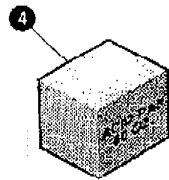
E3554-340

DECAL ASSEMBLY

KEY#	PART#	DESCRIPTION	QTY
1	314456	DECAL, HOODSIDE RH H-21	1
2	314457	DECAL, HOODSIDE LH H-21	1
3	320872	DECAL, PRO CONSOLE(LONGER) RH	1
4	320873	DECAL PRO CONSOLE(LONGER) LH	1
5	402355	NAMEPLATE, 12/38 (CHHOME) SF	2

E3554-340

CUSTOMER ASSEMBLY

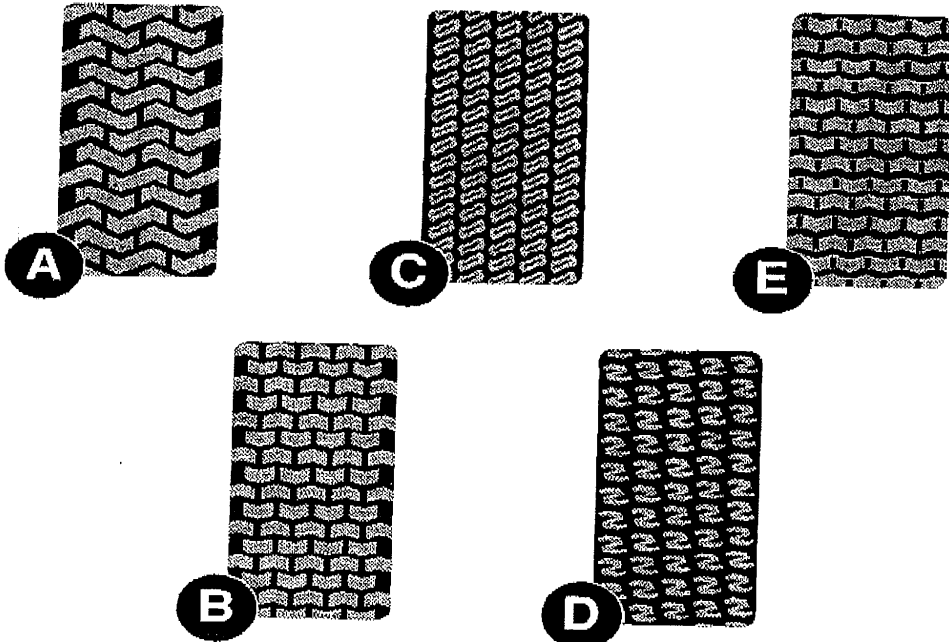


KEY#	PART#	DESCRIPTION	QTY
1	331528	SEAT,MICHIGAN LF QUICK	1
2	330510	STEERING WHEEL	1
3	331823	PARTS BAG,ASSY SEAT/STEEP	1
3-1	13527	KNOB, T 2BLADE W/516/18 NUT	1
3-2	120393	WASHER, FLAT .344X.69X.065	1
3-3	180079	SCREW, 5/16-18X1.00 HHC	1
3-4	331637	BOLT, .500X.10HHSH 5/16-18	2
3-5	331322	COVER, STEERING SHAFT	1
3-6	301413	SPACER, STEERING SHAFT	1
3-7	456378	PIN, SPRING.250DIA X2.00LG HVPL	1
4	A	BATTERY ACID PACK, 80 OZ.	1

^ CAN BE PURCHASED LOCALLY

331822 A

TREAD PATTERNS

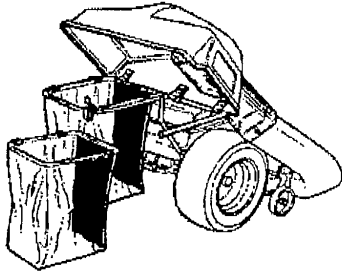


TIRE SIZE	"A"	"B"	"C"	"D"	"E"
11 X 4.00 - 5	42295	319679			
13 X 5.00 - 6	41060	319680			
15 X 6.00 - 6	39830	316702	301140	313952	
16 X 4.80 - 8		305035			
16 X 6.50 - 8	41081	319682		314539	
18 X 6.50 - 8		42091			
18 X 8.50 - 8	319683	317400			
18 X 9.50 - 8	41106	316701		313950	
20 X 8.00 - 8	319685	319684	57164	314584	331606
20 X 10.00 - 8	58276	319686		313654	
20 X 10.00 - 10	55893	319687			
23 X 9.50 - 12	53655	319690	319689	314370	

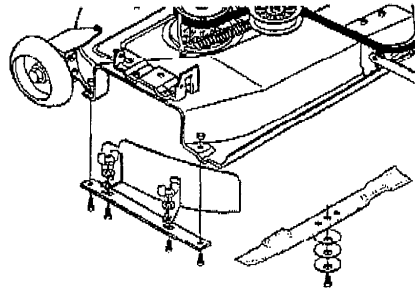
ACCESSORIES

Contact the dealer where your tractor was purchased for the available accessories. If you are unable to contact the dealer, write to the address on the front cover of this manual.

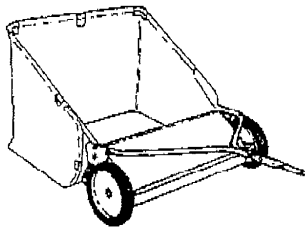
Standard Lawn Tractor



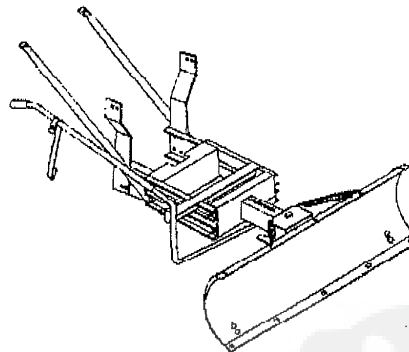
Model # 5708-13
Grass Collector for 39" decks
 For heavy duty grass collection
 order Model # 5709-10 Air Assist



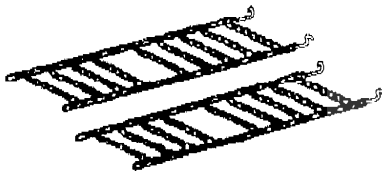
Model #5715-00
Mulching Kit (39" Deck)



Model # 5648-16
Tow behind Lawn Sweeper for
Grass and leaves



Model #5661-09
42" Snowblade - Fits 36", 38", 39", & 45"



Model # 5579-00
Tire Chains - 18" x 8.50" tires

OTHER ACCESSORIES

Model	Description
5672-01	Wheel Weights - Front - 1 pr. w/mtg. hdw. - Fits 15" tires
5673-02	Wheel Weights - Rear - 1 pr. w/mtg. hdw. - Fits 18" & 20" tires
306932	39" High lift blade for bagging or side discharge (requires 2)
326160	39" Mulching blade (requires 2)