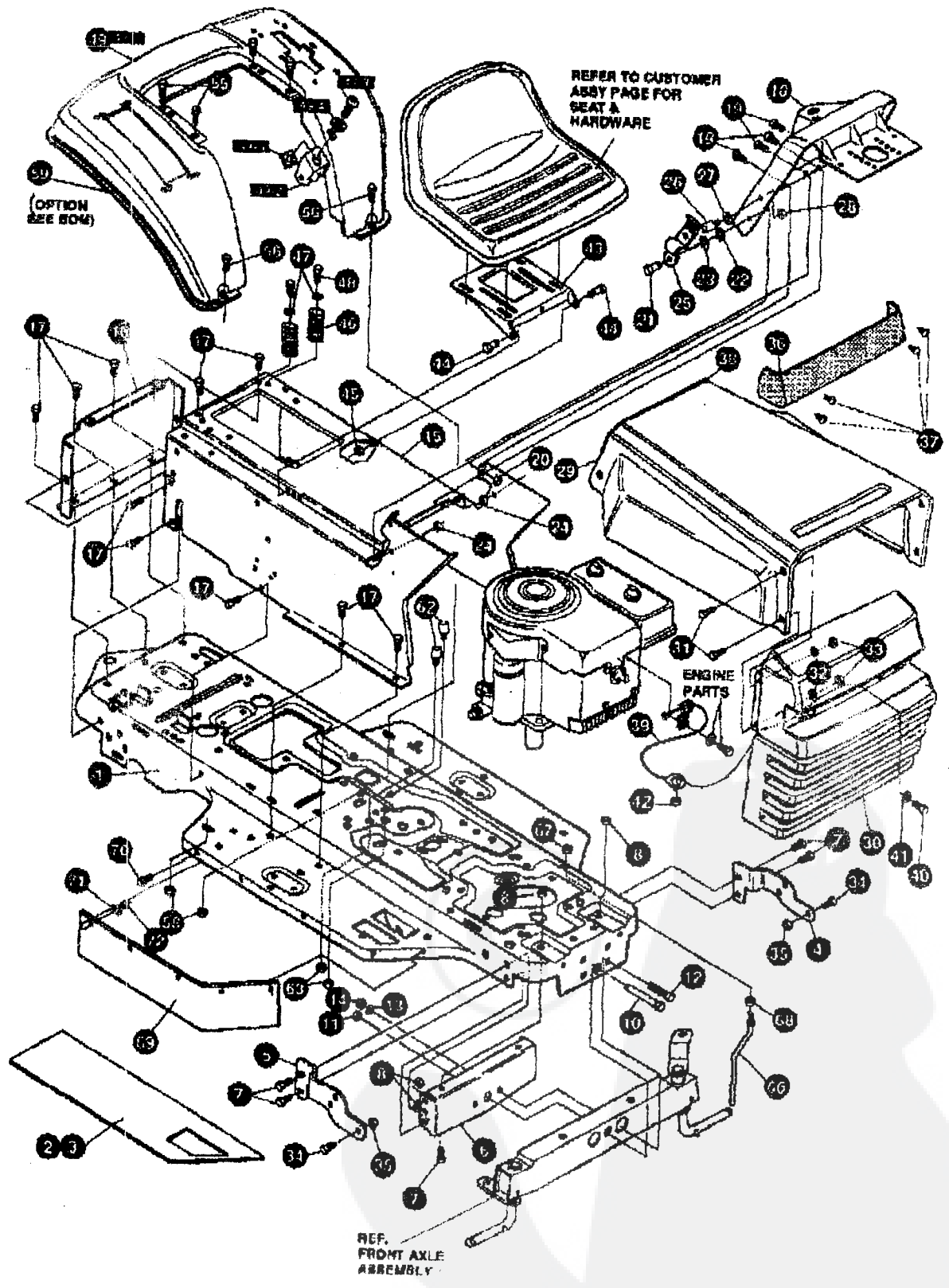


# E3554-390

# REPAIR PARTS



**NOTE: ALWAYS USE ORIGINAL EQUIPMENT PARTS.** Use of service/replacement parts other than original equipment parts may void your warranty.

ALL UNNUMBERED ITEMS ARE INTERCHANGEABLE WITH OPPOSITE SIDE

**E3554-390****CHASSIS & HOOD ASSEMBLY**

KEY#	PART#	DESCRIPTION	QTY
1	332319-860	MAIN FRAME SF RIDER TUV	1
2	331834	FOOT PAD, RH SF, FULL WIDTH	1
3	331835	FOOT PAD, LH SF, FULL WIDTH	1
4	314579-853	BRACKET,GRILLE LH SF	1
5	314578-853	BRACKET,GRILLE RH SF	1
6	58382-853	BRACKET SUPPORT,FRONT AXLE-SF	1
7	328154	SCREW, 5/16-18X1.0WDFLLK	6
8	55273	NUT, 5/16-18 HXWDFLLK	6
10	29616	BOLT, 625X1.880 HSH 1/2-20	1
11	274854	NUT, 1/2-20 REGHXCTRLK	1
12	190138	SCREW, 3/8-16X3.00 HHC	2
13	2483	WASHER, 39IDX1.25DX.07 BELLVIL	2
14	1498	NUT, 3/8-16 REGHXCTRLK	2
15	324748-860	CONSOLE, SF DYNA FNDR SHFT	1
16	58235-880	CONSOLE, REAR COVER	1
17	995346	SCREW, 1/4-20X .50 WAHTAP	15
18	320486-880	DASH,SF NOMA DYNA STYLING	1
19	44811	SCREW, 1/4-20X .75 WAHTAP	4
20	50352	NUT, 1/4-20 WDFLLK TOPLOCK	2
21	8482	BOLT, .375X .156 HSH 5/16-18	2
22	120384	WASHER, FLAT .406X .81X.066	2
23	120393	WASHER, FLAT .344X .68X.055	2
24	1498	NUT, 5/16-18 REGHEXCTRLK	2
25	57159	LATCH, .94WDX.047 ASSY HOOD	2
26	53446	PIN, 5/16-18 HOOD LATCH	2
27	138538	WASHER, REGINTLK.32DX.61X.03	2
28	45174	NUT, 5/16-18 HXWDFLLK WHIZ	2
29	314538-880	HOOD SF H-21	1
30	325401	GRILLE G17	1
31	274872	SCREW, 1/4-20X .63 WAHHC	4
32	120392	WASHER, FLAT .281X .63X.065	4
33	1502	NUT, 1/4-20 REGHEXCTRLK	4
34	36148	BOLT, .375X .500 HSH 5/16-18	2
35	1498	NUT, 5/16-18 REGHEXCTRLK	2
36	302333	LENS, SMOKED W/TAB NO LOGO	1
37	57798	SCREW, #6 X .60 PLASTITE/HI-LO	4
38	55304	EDGING (78"-47453) WIDE BLK	25.0'
39	311094	LANYARD,HOOD 11.75LG H16 VANG	1
40	180020	SCREW, 1/4-20X .75 HHC	1
41	120392	WASHER, FLAT .281X .63X.065	1
42	1502	NUT, 1/4-20 REGHEXCTRLK	1
43	58367-880	PLATE,SEAT F5 SF,LF	1
44	20507	BOLT, .437X .156 HSH 5/16-18	2
45	1498	NUT, 5/16-18 REGHEXCTRLK	2
46	330463	SPRING, SEAT 1.500DX2.25LG	2
47	120392	WASHER, FLAT .281X .63X.065	2
48	995346	SCREW, 1/4-20X .50 WAHTAP	2
49	A	ASM FENDER F-5 SF S.O.F./L.O.F.	1
49-1	332423-860	FENDER, F-5 SF S.O.F./L.O.F.	1
49-2	9238	CLEVIS	1
49-3	499455	SCREW, 5/16-18X .58PHPNMA	1
49-4	301551	WASHER, 344IDX1.50DX.09 OU	1
49-5	120373	NUT, 5/16-18 SO	1
55	995346	SCREW, 1/4-20X .50 WAHTAP	4
56	128358	BOLT, 5/16-18X1.00 CARPLN	2
58	55273	NUT, 5/16-18 HXWDFLLK	2
59	55023	TRIM, 77.8" BLACK NARROW	77.5"
62	53448	PIN, 5/16-18 HOOD LATCH	2
63	271164	NUT, 5/16-18 HEXKEPS	2
66	50653	GUIDE, BELT	1
67	41529	NUT, 3/8-16 HXCTRLKJAM	1
68	271190	NUT, 3/8-16 HEXKEPS	1
69	305395	BELT GUARD SF RUBBER 7 X 25.46	2
70	57034	SCREW, 10-24X .63 TRHMA	12
71	1501	WASHER, FLAT .203X .56X.040	12
72	308459	NUT, #10-24 HXHDNYLK	12
73	333764	PARTS MANUAL	1
74	333765	OPERATOR'S MANUAL (ENGLISH)	1
74	333766	OPERATOR'S MANUAL (GERMAN)	1
75	327717	GRASS CATCHER MANUAL	1
76	328195	AIR ASSIST MANUAL (ENGLISH)	1
77	330272	AIR ASSIST MANUAL (FRENCH)	1
78	330273	AIR ASSIST MANUAL (GERMAN)	1

\* ORDER INDIVIDUAL PARTS

**E3554-390**

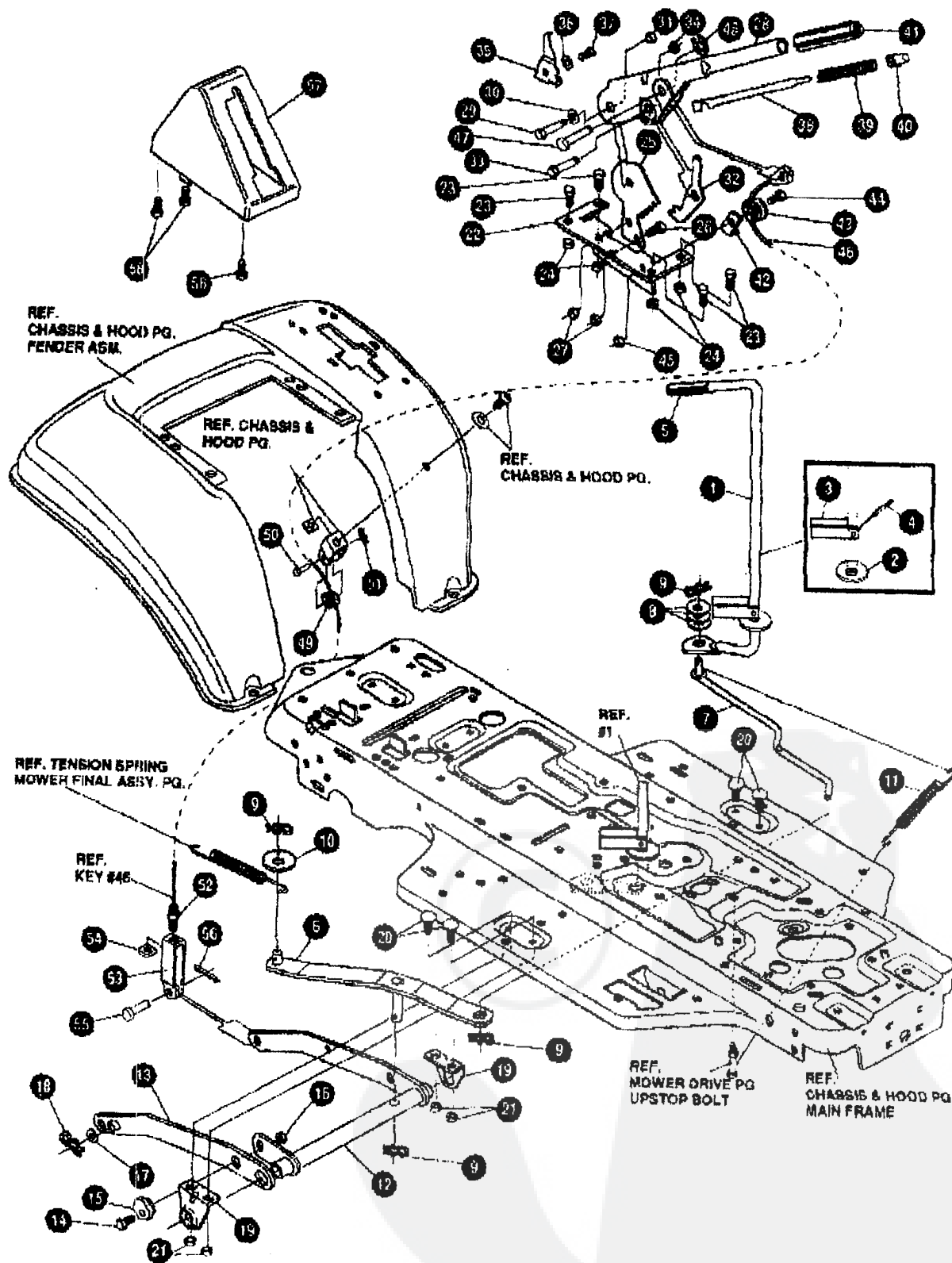
**STEERING ASSEMBLY**

KEY#	PART#	DESCRIPTION	QTY
1	A	AXLE FRONT ASSY, SF LONG	1
1-1	324915-853	ASSY FRONT AXLE SF GS	1
1-2	50546	BEARING, FL .750ID X 1.002OD X .75	4
1-3	310368	SPINDLE, ASSY, RH LONG SF	1
1-4	36525	RING, RETEX .57X.05TRU5133-75	1
1-5	310367	SPINDLE, ASSY, LH LONG SF	1
1-6	327619-860	ARM ASSY SF 4WS FRNT STRNG	1
1-7	454585	PIN, SPRING, 250DIA X 1.25LG HVPL	1
2	302588	ASSY, TIE ROD 19.31 LG	1
3	180124	SCREW, 3/8-16 X 1.25 HHC	2
4	120382	WASHER, REGSPTLK.398X.68X.10	2
5	1499	NUT, 3/8-16 REGHXCTRLK	2
6	324752	GEAR, SECTOR SF4WS	1
7	838289	PLATE SECT SF 4WS BLK	2
8	330021	BUSHING, SECTOR GEAR SF 4WS	1
9	181643	SCREW, 3/8-24 X 1.50 HHC	1
10	845	WASHER, FLAT .390 X 1.25 X .119	2
11	412349	NUT, 3/8-24 HXCTRLK	1
12	328808	DRAG LINK ASSY 17.68LG	1
12-1	57158	BALL JOINT 3/8 THD SHORT STUD	2
12-2	124925	NUT, 3/8-24 REGHEXJAM	2
12-3	56190	DRAG LINK	1
13	120382	WASHER, REGSPTLK.393X.68X.10	2
14	120369	NUT, 3/8-24 REGHEX	2
15	327834	SHAFT, PIN-STEER BLK	1
16	325682	BEARING, FL .50 ID X 1.970 OD X	1
17	326505	SCREW, 1/4-20 X .75 (TO 30-36 FT#)	2
18	46931	NUT, 1/4-20 WDFL MAC-LOCK	2
19	20864	RING, RET E .38 X .04 TRU5133-50	1
20	302828	TIRE & RIM, PU 15 X 6.0 X 6	2
20-1	24167	VALVE STEM	
20-2	39829	RIM, WHEEL	
20-3	314418	BEARING, FL	
20-4	TIRE	REFER TO TIRE TREAD PAGE	
34	642	WASHER, FLAT .765 X 1.31 X .078	4
35	36525	RING, RETEX .57X.05TRU5133-75	2
36	40394	HUB CAP, 1.500ID X 7/8LG	2
37	180124	SCREW, 3/8-16 X 1.25 HHC	1
38	120394	WASHER, FLAT .406 X .81 X .065	2
39	45171	NUT, 3/8-16 HWDFL WHIZ-LOCK	1

\* ORDER INDIVIDUAL PARTS

**E3554-390**

**REPAIR PARTS**



**NOTE: ALWAYS USE ORIGINAL EQUIPMENT PARTS.** Use of service/replacement parts other than original equipment parts may void your warranty

**ALL UNNUMBERED ITEMS ARE INTERCHANGEABLE WITH OPPOSITE SIDE**

331232 C

**E3554-390**

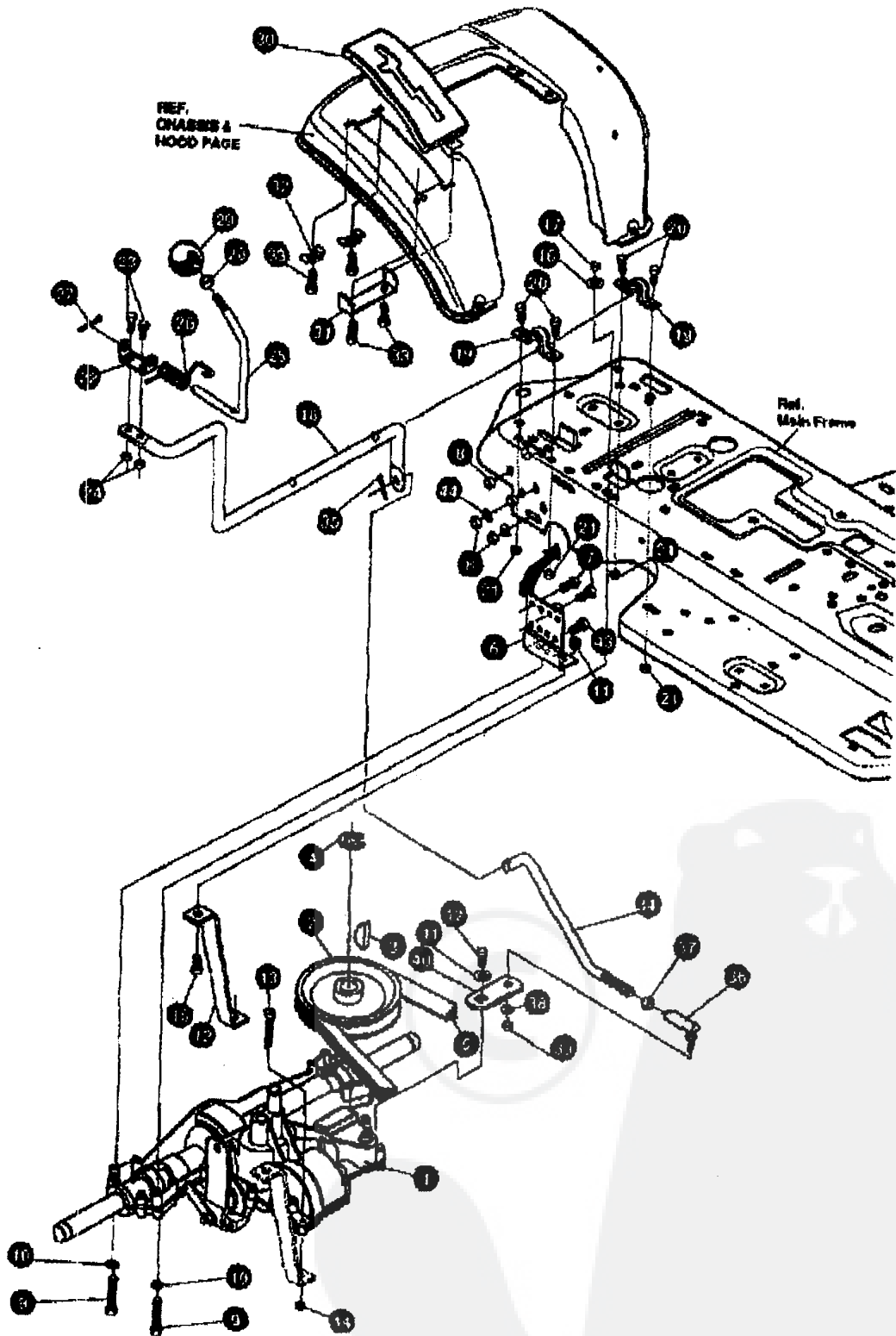
**MOWER SUSPENSION ASSEMBLY**

KEY#	PART#	DESCRIPTION	QTY
1	325591	LEVER, CLUTCH RH PTO	1
2	22265	WASHER, FLAT .515X1.38X.119PL	1
3	305225	STOP, PTO ENGAGE	1
4	326386	PIN, SPRING .187DIA X1.13LG HD	1
5	65514	KNOB, ROUND 1.50DIA CR GRIP SF	1
6	325597-853	STRAP ASSY, PTO BELCRANK SF	1
7	325590	ROD, BELCRANK LINK SF	1
8	274517	WASHER, FLAT .406X.73X.063	3
9	8260	PIN, HAIR .091 DIA X1.66LG	4
10	25210	WASHER, FLAT .386X1.25X.09	1
11	325802	SPRING, .69X7.75X.0697TENSION	1
12	326114-853	LIFT ASSY, LH	1
13	325130-853	LIFT ASSY, RH SF	1
14	180079	SCREW, 5/16-18X1.00 HHC	1
15	58247	NUT, ADJUST	1
16	1498	NUT, 5/16-18 REGHEXCTRLK	1
17	417098	WASHER, FLAT .531X1.05X.063	2
18	8260	PIN, HAIR .091 DIA X1.66LG	2
19	325495-853	BRACKET, REAR HANG SUSP	2
20	330967	BOLT, 5/16-18X1.00 CAR	4
21	1498	NUT, 5/16-18 REGHEXCTRLK	4
22	313926	BRACKET, HGT/ADJUST SUPPORT	1
23	180077	SCREW, 5/16-18X.75 HHC	4
24	1498	NUT, 5/16-18 REGHEXCTRLK	4
25	301238	QUADRANT HEIGHT ADJUST	1
26	180077	SCREW, 5/16-18X.75 HHC	2
27	1498	NUT, 5/16-18 REGHEXCTRLK	2
28	322292-853	HANDLE, LIFT SHORT (30" S.F.)	1
29	300171	BOLT, .500X.270 HSSH 5/16-18	1
30	995418	WASHER, FLAT .506X.75X.024	1
31	14108	NUT, 5/16-18 HWDPLCTRLK	1
32	301239	PAWL, SQUARE	1
33	300171	BOLT, .500X.270 HSSH 5/16-18	1
34	44108	NUT, 5/16-18 HWDPLCTRLK	1
35	9435	POINTER, HEIGHT ADJ	1
36	138479	WASHER, EXLK .195X.41X.03	1
37	35287	SCREW, #8-32X.38 HHWATAP	1
38	303027	ROD, ACTUATOR-SHORT	1
39	58326	SPRING, HEIGHT ADJUST	1
40	58325	KNOB, HEIGHT ADJ PUSH BUTTON	1
41	58329	GRIP, .760 OD W/ HOLE BLACK	1
42	9149	BRACKET, CABLE RETAIN	1
43	48306	PULLEY, POWDER METAL	1
44	58336	BOLT, .375X.375 HSSH 1/4-20	1
45	1502	NUT, 1/4-20 REGHEXCTRLK	1
46	57511	LIFT CABLE 20.75LG	1
47	300310	PIN, CLEVIS .310DIA+ .475LG	1
48	300311	RING, RET E .31X.25TRUX5133-31	1
49	48306	PULLEY, POWDER METAL	1
50	300317	PIN, CLEVIS .375DIA X .81 LG	1
51	8260	PIN, HAIR .091 DIA X1.66LG	1
52	120376	NUT, 1/4-20 REGHEX	1
53	9405	CLEVIS, LIFT CABLE	1
54	120372	NUT, 1/4-20 REGSO	1
55	39522	PIN, CLEVIS .312 X .812	1
56	121222	PIN, COTTER .090 DIA X .75LG	1
57	300335	LIFT COVER-39" F5	1
58	300340	SCREW, #10 X .75 HHPLAST BLK	3



# E3554-390

# REPAIR PARTS



**NOTE: ALWAYS USE ORIGINAL EQUIPMENT PARTS.** Use of service/replacement parts other than original equipment parts may void your warranty.

**ALL UNNUMBERED ITEMS ARE INTERCHANGEABLE WITH OPPOSITE SIDE**

333495 A

**E3554-390**

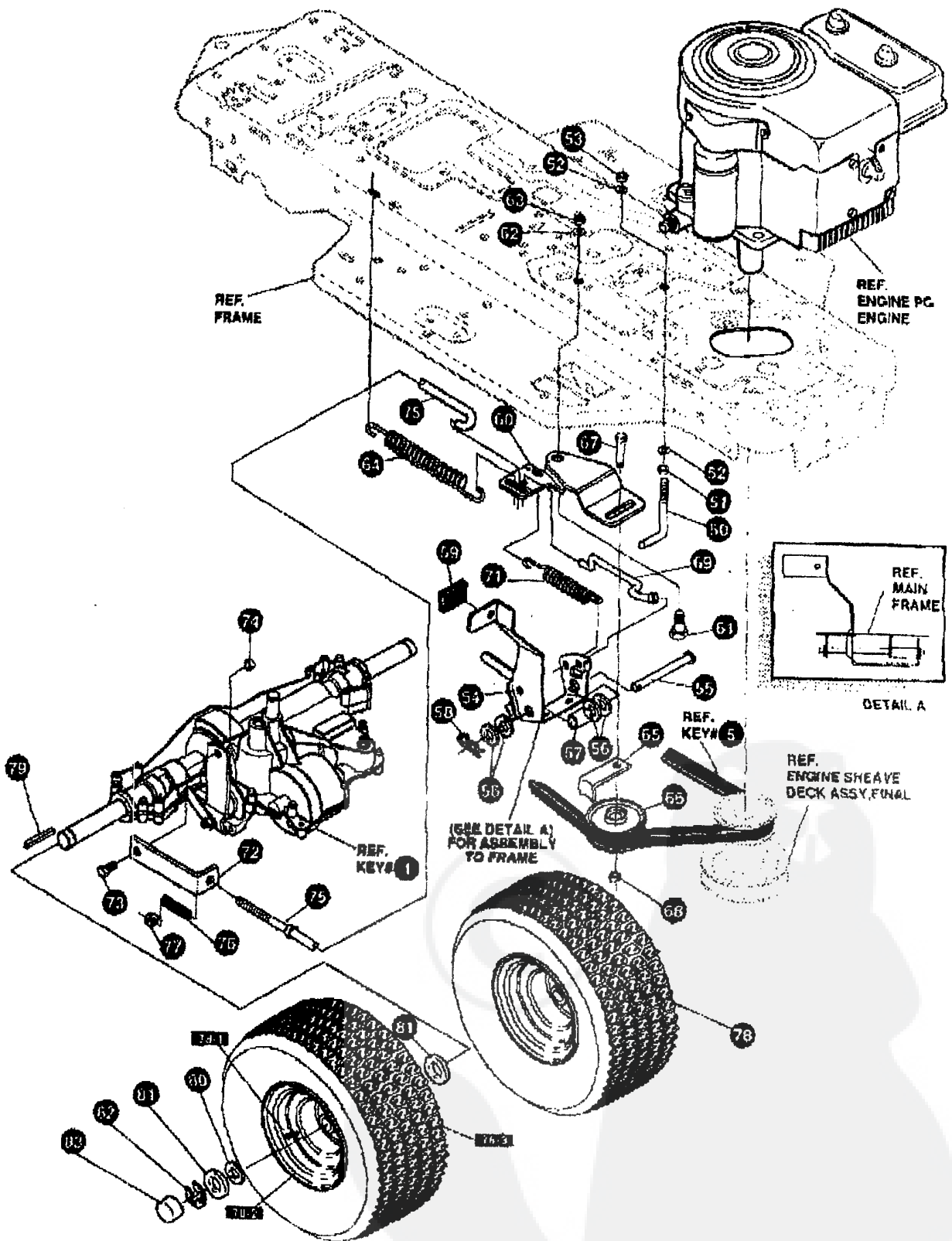
**MOTION DRIVE ASSEMBLY**

KEY#	PART#	DESCRIPTION	QTY
1		TRANSAXLE 940-007 2WS,LF,SF	1
2	903109	PULLEY, 6.6 OD V4L T/A	1
3	50795	KEY, HI-PRD 606 .75DIA X.187WD	1
4	22053	RING RETEX .56X.03STRU5100-82	1
5	54758	BELT, V 4L 92.00 SF DRIVE	1
6	326615-853	BRACKET,TRANSAXLE	2
7	180077	SCREW, 5/16-18X .75 HHC	4
8	1498	NUT, 5/16-18 REGHEXCTRLK	8
9	180091	SCREW, 5/16-18X2.50 HHC	4
10	120383	WASHER, FLAT .344X .88X.065	4
11	1498	NUT, 5/16-18 REGHEXCTRLK	4
12	323213	BRACKET, T/A TORQ. BLK	1
13	180087	SCREW, 5/16-18X2.00 HHC	1
14	1498	NUT, 5/16-18 REGHEXCTRLK	1
15	180079	SCREW, 5/16-18X1.00 HHC	1
16	198485	WASHER, EXLK .320X.61X.03	1
17	1498	NUT, 5/16-18 REGHEXCTRLK	1
18	321849	LEVER, SHIFT LOW SF FN8PT 916	1
19	302760	CLAMP, .625DIA	2
20	180077	SCREW, 5/16-18X .75 HHC	4
21	1498	NUT, 5/16-18 REGHEXCTRLK	4
22	310366	BRACKET, PIVOT SH LEV	1
23	180020	SCREW, 1/4-20X .75 HHC	2
24	1502	NUT, 1/4-20 REGHEXCTRLK	2
25	309635	LEVER, SHIFT UPPER SOF 1/2-19	1
26	310285	SPRING, TORS. .56X.95X.095	1
27	137185	PIN, COTTER .125 DIA X1.00LG	1
28		PART NOT REQUIRED ON THIS UNIT	
29	55514	KNOB, ROUND 1.50DIA OR GRIP SF	1
30	311209	COVER PLASTIC LF P930/F4360-6	1
31	311257-859	BRACKET COVER F-6 FNDR SHIFT	1
32	1941	CLAMP, SPRG 1.17"ID	2
33	311331	SCREW, 1/4-15X.44/59 HILOHWA	4
34	321844	ROD, CONNECTING, SHIFT ZINC	1
35	137185	PIN, COTTER .125 DIA X1.00LG	1
36	57158	BALL JOINT 3/8 THD SHORT STUD	1
37	124825	NUT, 3/8-24 REGHEXJAM	1
38	120382	WASHER, REGSPTLK.393X.68X.10	1
39	120369	NUT, 3/8-24 REGHEX	1
40	323212	BRACKET, SHIFT S/F BLK	1
41	57157	WASHER, .750X.250 SF-TRANSAXLE	1
42	56255	SCREW, 1/4-28X .75 NYLHHC	1
43	327917	SCREW, 5/16-18X1.50HHCFT	4
44	73787	WASHER, FLAT .390X .75X.1799	4

\* CONTACT YOUR NEAREST TRANSAXLE DEALER FOR PARTS & SERVICE

# E3554-390

# REPAIR PARTS



**NOTE: ALWAYS USE ORIGINAL EQUIPMENT PARTS.** Use of service/replacement parts other than original equipment parts may void your warranty.

**ALL UNNUMBERED ITEMS ARE INTERCHANGEABLE WITH OPPOSITE SIDE**

333495 A



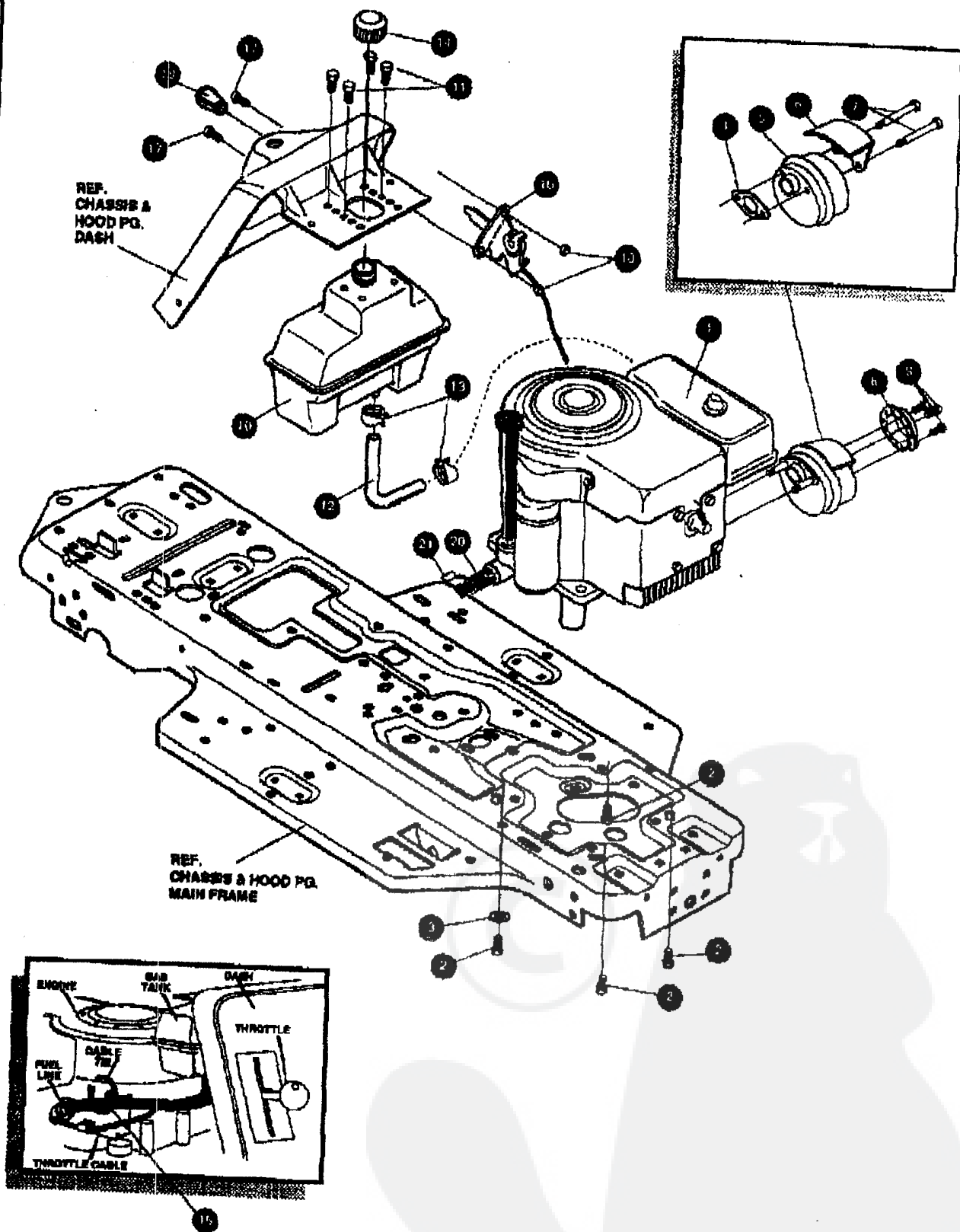
**E3554-390**

**MOTION DRIVE ASSEMBLY**

KEY#	PART#	DESCRIPTION	QTY
50	49886	BELT GUIDE .....	1
51	271184	NUT, 5/16-18 HEXKEPS .....	1
52	120993	WASHER, FLAT .344X .89X.085 .....	2
53	1498	NUT, 5/16-18 REGHEXCTRLK .....	1
54	331836	ASSY, PEDAL, BRAKE, CLUTCH SF .....	1
55	319876	PIN, CLEVIS .600DX4.87LG .....	1
56	2968	WASHER, FLAT .604X .75X.059 .....	4
57	331972	SPACER, SLEV .53 X .62X1.240 .....	1
58	58180	PIN, HAIR .091 DIA X 1.62LG .....	1
59	48781	PAD, CLUTCH/BRAKE PEDAL .....	1
60	321889	IDLER ARM BRKT TRACTION SF .....	1
61	329989	BOLT, .825X .135 HHSX 5/16-18 .....	1
62	45802	WASHER, FLAT .333X .87X.119 .....	1
63	1498	NUT, 5/16-18 REGHEXCTRLK .....	1
64	327867	SPRING, 3/4 ODX 7.75X.091 TENSION .....	1
65	39659	RETAINER, BELT .....	1
66	35374	PULLEY, IDLER VAL 3.06X .62 .....	1
67	45892	BOLT, 3/8-18X1.60 CARRBN .....	1
68	1498	NUT, 3/8-18 REGHXCTRLK .....	1
69	333176	CLUTCH ROD ASSY, .298 DIA 3.92 .....	1
71	326780	SPRING, 3/8ODX 2.18 X.065 TENSION .....	1
72	323210	BRACKET, TRCTN S/F BLK .....	1
73	46824	BOLT, .500X .188 HHSX 5/16-18 .....	1
74	1498	NUT, 5/16-18 REGHEXCTRLK .....	1
75	333269	ROD, BRAKE 940 BLK .....	1
76	319881	CLUTCH SPRING .....	1
77	50352	NUT, 1/4-20 WDFLLK TOPLOCK .....	1
78	42090	TIRE & RIM, PU 18X8.5X8 .....	2
78-1	24167	VALVE STEM	
78-2	36182	RIM, WHEEL	
78-3	TIRE	REFER TO TIRE TREAD PAGE	
79	52928	KEY, SQUARE .1875OX 2.25LG .....	2
80	642	WASHER, FLAT .765X1.31X.075 .....	4
81	42815	WASHER, FLAT .765X1.53X.07 .....	2
82	36625	RING, RETEX .87X.05TRU5133-75 .....	2
83	40394	HUB CAP, 1.500ID X 7/8LG .....	2

# E3554-390

# REPAIR PARTS



**NOTE: ALWAYS USE ORIGINAL EQUIPMENT PARTS.** Use of service/replacement parts other than original equipment parts may void your warranty.

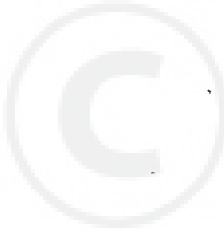
**ALL UNNUMBERED ITEMS ARE INTERCHANGEABLE WITH OPPOSITE SIDE**

332431 A

**E3554-390**

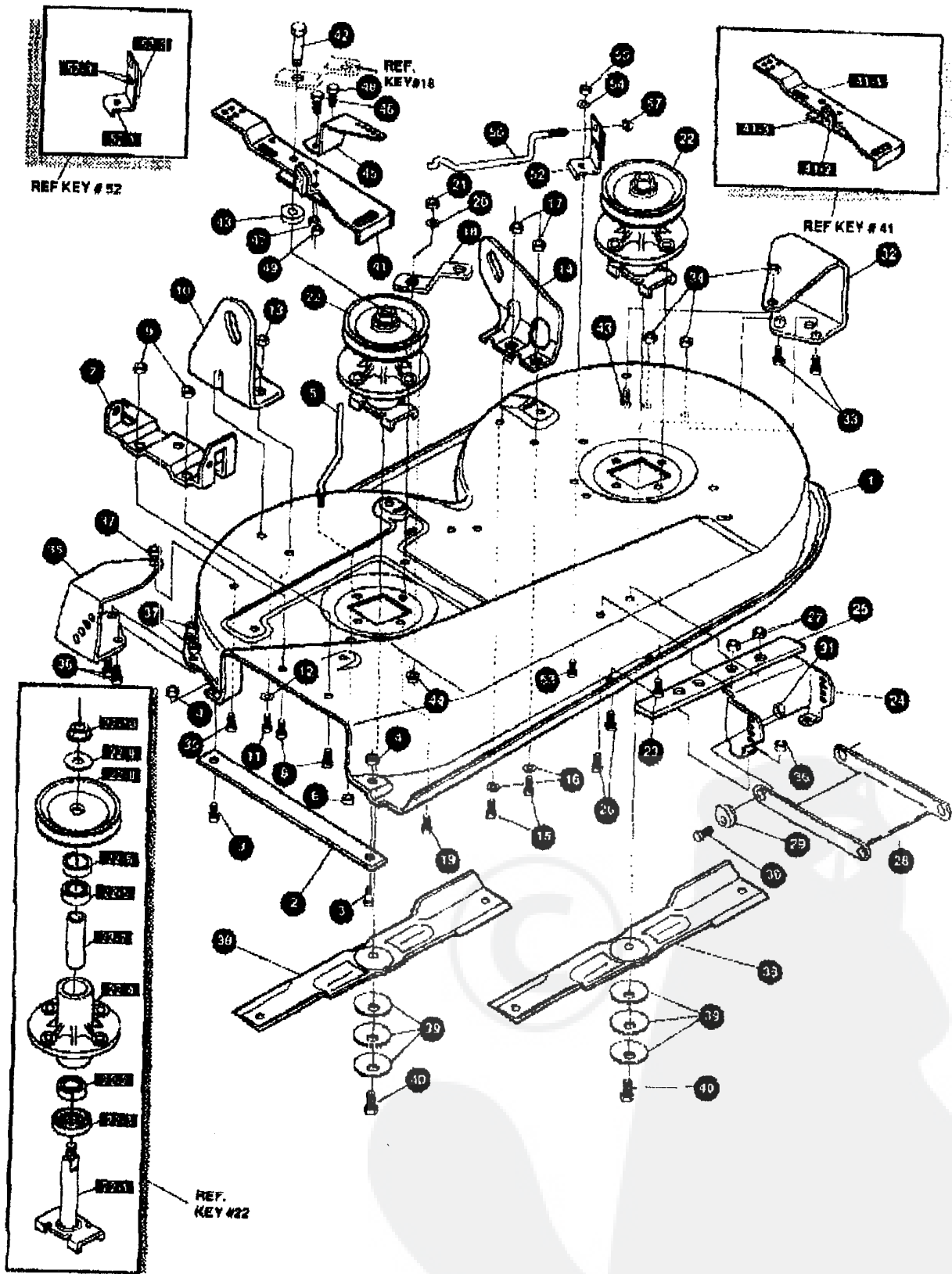
**ENGINE & CONTROL ASSEMBLY**

KEY#	PART#	DESCRIPTION	QTY
1	A	10-12HP B&S 3A(SEE ENGINE MANUAL)	1
2	50947	SCREW, 3/8-16X1.25 WAHHTAP	4
3	138489	WASHER, EXLK 3/8X.04	1
4	48708	GASKET, MUFFLER	1
5	57908	MUFFLER-DOM/EXP ROUND	1
6	54767	SHIELD, HEAT, FOR ROUND MUFFLER	1
7	54980	SCREW, 5/16-18X.60 HHC	2
8	323428	DEFLECTOR, MUFFLER PARTIAL	1
9	35287	SCREW, #8-32X .38 HHWATAP	3
10	314989	TANK, FUEL 1 GAL CLEAR	1
11	300903	SCREW, .25X.75X.51HHWAPLASTITE	4
12	42258	TUBING, 25X.50X BULK GAS LINE	12.0'
13	47345	CLAMP HOSE SCREW TYPE	2
14	48704	CAP, GAS 1-1/2-7 THD BLK	1
15	57444	TIE, CABLE BLACK NYLON 5.82L	1
16	320031	THROTTLE CONTROL	1
17	274707	SCREW, 10-24X .50 WAHMA	2
18	308459	NUT, #10-24 HXHDNYLK	2
19	50607	KNOB, ROUND THROTTLE BLACK	1
20	325547	OIL DRAIN VALVE ASSEMBLY	1
21	327422	CAP, OIL DRAIN VALVE ASM, YELLOW	1



# E3554-390

# REPAIR PARTS



**NOTE: ALWAYS USE ORIGINAL EQUIPMENT PARTS.** Use of service/replacement parts other than original equipment parts may void your warranty.

ALL UNNUMBERED ITEMS ARE INTERCHANGEABLE WITH OPPOSITE SIDE

332343 D

**E3554-390**

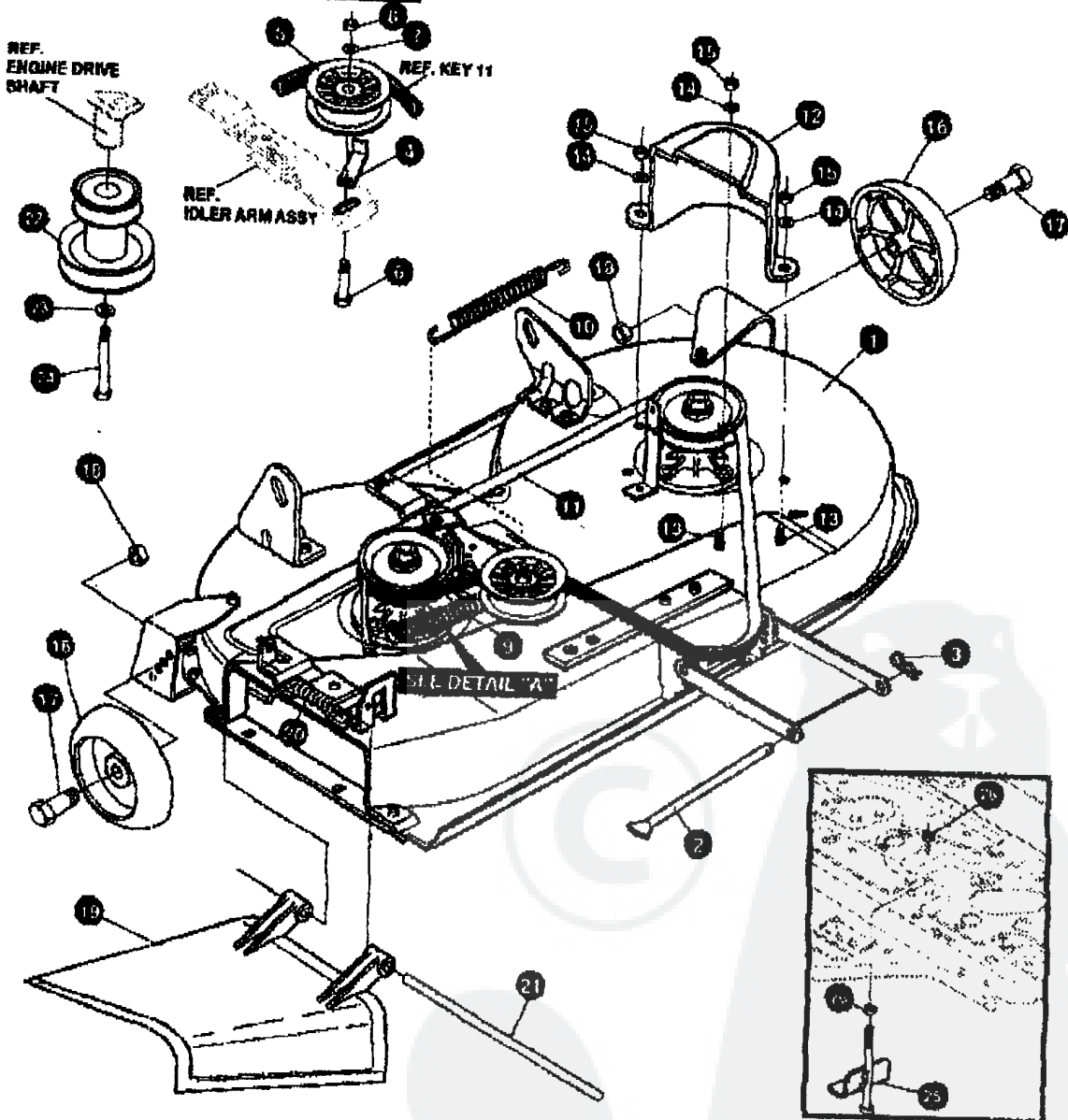
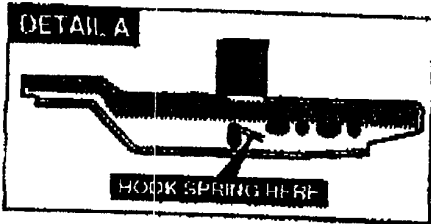
**PRE-PAINTED DECK ASSEMBLY**

KEY#	PART#	DESCRIPTION	QTY
1	325108	39" DECK KIT	1
2	326295-853	BAR, SKID	1
3	120290	BOLT, 5/16-18X1.25 CARBLN	2
4	271184	NUT, 5/16-18 HEXKEPS	2
5	57318	GUIDE, BELT 5/16-18 THD	1
6	1498	NUT, 5/16-18 REGHEXCTRLK	1
7	313928	BRACKET, CHUTE BLK 853	1
8	180073	SCREW, 5/16-18X .50 HHC	2
9	1498	NUT, 5/16-18 REGHEXCTRLK	2
10	313929	LIFT BRKT, REAR RH BLK 853	1
11	180077	SCREW, 5/16-18X .75 HHC	2
12	120393	WASHER, FLAT .344X .69X .085	2
13	1498	NUT, 5/16-18 REGHEXCTRLK	2
14	310667	BRACKET, DECK LIFT REAR LHBLK	1
15	180077	SCREW, 5/16-18X .75 HHC	2
16	120393	WASHER, FLAT .344X .69X .085	2
17	1498	NUT, 5/16-18 REGHEXCTRLK	2
18	315302-853	BRACKET, IDLER SUPPORT	1
19	300346	SCREW, 5/16-18X1.38 WAHTAP	1
20	120393	WASHER, FLAT .344X .69X .085	1
21	1498	NUT, 5/16-18 REGHEXCTRLK	1
22	54424-853	QUILL ASSY, 36/38/40/43	2
22-1	58426	SHAFT/SADDLE 36"	1
22-2	49562	BEARING, BALL 6203-2AA(SEALS)-C3	1
22-3	50616	DUST SHIELD	1
22-4	55647	QUILL CASTING (1046)	1
22-5	49562	BEARING, BALL 6203-2AA(SEALS)-C3	1
22-6	50818	SPACER, SLEV .889X .88X3.797	1
22-7	313898	SPACER, SLEV .872X .93X .438PM	1
22-8	313898	PULLEY ASSY	1
22-9	56365	WASHER, SPECIAL QUILL	1
22-10	1282	NUT, 7/16-20 WDFLLK	1
23	35498	SCREW, 5/16-18X .75 WAHTAP	7
24	312526	LIFT SUPPORT FRONT DECK	1
25	328155-853	PLATE-MOUNTING	1
26	180077	SCREW, 5/16-18X .75 HHC	4
27	1498	NUT, 5/16-18 REGHEXCTRLK	4
28	58305-853	BRACKET, LINK DECK FRONT	1
29	68247	NUT, ADJUST	2
30	180079	SCREW, 5/16-18X1.00 HHC	2
31	1498	NUT, 5/16-18 REGHEXCTRLK	2
32	312477	WHEEL BRKT, LH BLK	1
33	180077	SCREW, 5/16-18X .75 HHC	3
34	1498	NUT, 5/16-18 REGHEXCTRLK	3
35	300102-853	WHEEL BRKT, RH	1
36	180077	SCREW, 5/16-18X .75 HHC	3
37	1498	NUT, 5/16-18 REGHEXCTRLK	3
38	305932	BLADE, 19.69 HI-LIFT BLK 853	2
39	2483	WASHER, 3910X1.25DX.07 BELLVIL	6
40	39173	SCREW, 3/8-24X1.00 NYLHHC	2
41	300491-853	BRACKET, IDLER ARM BRAKE	1
41-1	300490-853	IDLER ARM 36,38,39,245SD	1
41-2	305973	BRAKE PAD - HARD - 232AF	1
41-3	41801	RIVET, OVSET .187DIA X .50LG ST	2
42	300180	BOLT, .50 X1.88 HHSH 3/8-18	1
43	996418	WASHER, FLAT .391X1.00X.125	1
44	45171	NUT, 3/8-18 HWDFL WHIZ-LOCK	1
45	326249-853	BRACKET, EXTENSION IDLER	1
46	180077	SCREW, 5/16-18X .75 HHC	1
47	1498	NUT, 5/16-18 REGHEXCTRLK	1
48	180020	SCREW, 1/4-20X .75 HHC	1
49	1502	NUT, 1/4-20 REGHEXCTRLK	1
52	303247	ASSY, BLADE BRAKE 36,38,45	1
52-1	303246	BRAKE ARM	1
52-2	306973	BRAKE PAD - HARD - 232AF	1
52-3	135624	RIVET, TRSET .185DIA X .41LG ST	2
53	180077	SCREW, 5/16-18X .75 HHC	1
54	120393	WASHER, FLAT .344X .69X .085	1
55	1498	NUT, 5/16-18 REGHEXCTRLK	1
56	315308	ROD, BRAKE, 1.47 99" DECK ZINC	1
57	1502	NUT, 1/4-20 REGHEXCTRLK	1



# E3554-390

# REPAIR PARTS



**NOTE: ALWAYS USE ORIGINAL EQUIPMENT PARTS.** Use of service/replacement parts other than original equipment parts may void your warranty.

**ALL UNNUMBERED ITEMS ARE INTERCHANGEABLE WITH OPPOSITE SIDE**

332344 B

**E3554-390**

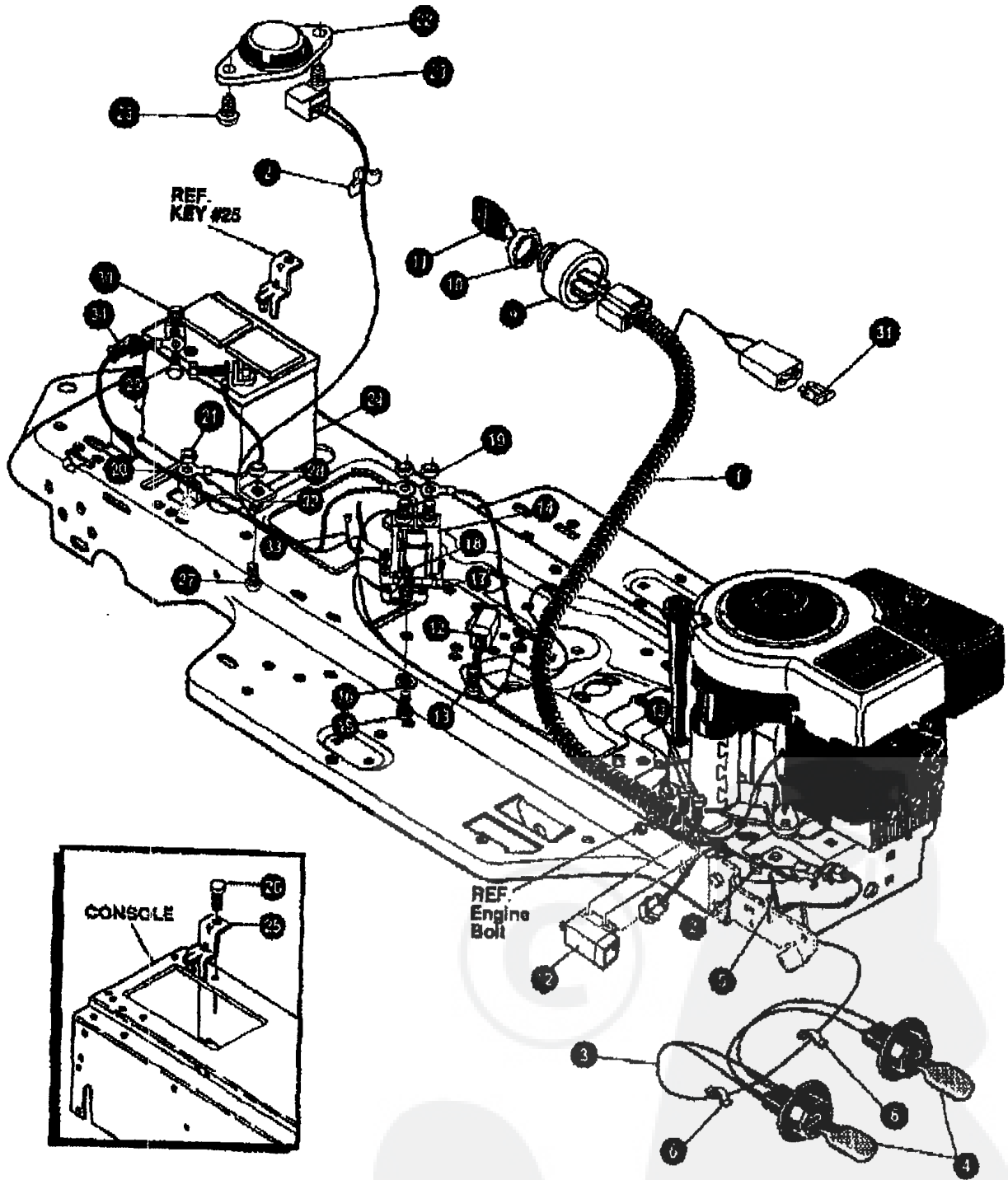
**FINAL DECK ASSEMBLY**

KEY#	PART#	DESCRIPTION	QTY
1	329456	ASM.DECK 30SUS SF/AIR ASST .....	1
2	58306	ROD, DECK HITCH .....	1
3	8260	PIN, HAIR .091 DIA X 1.68 LG .....	1
4	1346	RETAINER, BELT .....	1
5	310326	PULLEY, IDLER BFF 4.00 WIDE FL .....	1
6	67326	BOLT, 3/8-16 X 2.00 CARBON .....	1
7	120382	WASHER, REGSPTLK.393X.68X.10 .....	1
8	120377	NUT, 3/8-16 REGHX .....	1
9	322064	SPRING, .75X9.4X.105 TENSION .....	1
10	326256	SPRING, .75X10.0X.105 TENSION .....	1
11	300680	BELT, V SL 77.75 KEVLAR .....	1
12	328257	GUARD, BELT LH PLASTIC .....	1
13	180077	SCREW, 5/16-18 X .75 HHC .....	3
14	120393	WASHER, FLAT .344X.68X.085 .....	3
15	1498	NUT, 5/16-18 REGHEXCTRLK .....	3
16	302611	GAUGE WHEEL, EURO 6.000DX1.38WD .....	2
17	23783	BOLT, .500X1.360 HSSH 3/8-16 .....	2
18	1498	NUT, 3/8-16 REGHXCTRLK .....	2
19	57818	CHUTE DEFLECTOR 36°, 39°, 45° .....	1
20	314975	SPRING, TORSION CHUTE DEFLECTOR .....	1
21	57317	PIVOT ROD, CHUTE .....	1
22	328034	PULLEY, ENG V9L 4.00 OFFSET .....	1
23	120383	WASHER, REGSPTLK.458X.78X.12 .....	1
24	433146	SCREW, 7/16-20 X 4.25 HHC BLK .....	1
25	326490	ASSEMBLY HOSE MTG .....	1
26	1499	NUT, 3/8-16 REGHXCTRLK .....	2



# E3554-390

# REPAIR PARTS



**NOTE: ALWAYS USE ORIGINAL EQUIPMENT PARTS.** Use of service/replacement parts other than original equipment parts may void your warranty.

**ALL UNNUMBERED ITEMS ARE INTERCHANGEABLE WITH OPPOSITE SIDE**

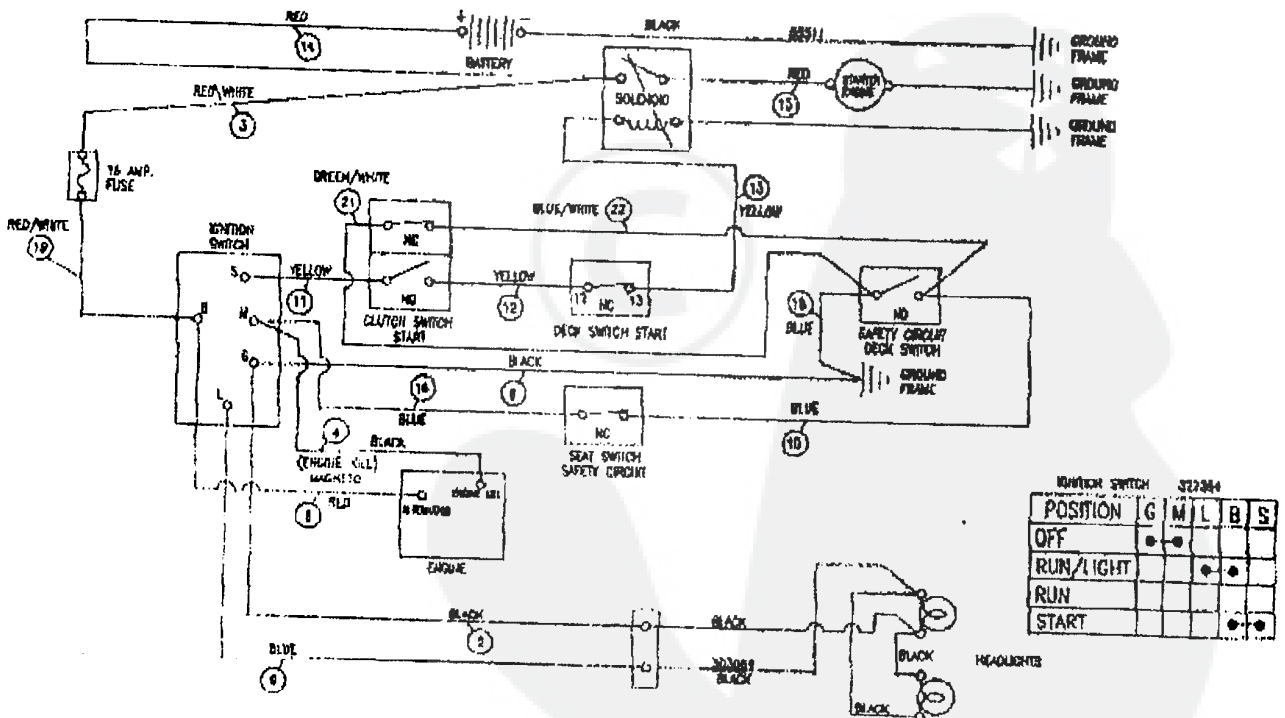
331669 B

**E3554-390**

**ELECTRICAL ASSEMBLY**

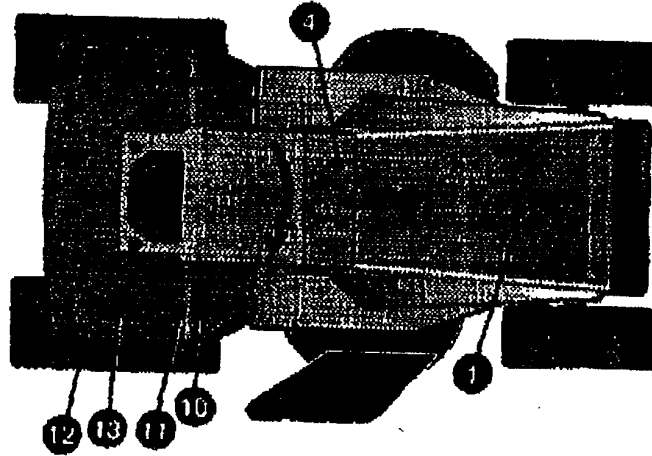
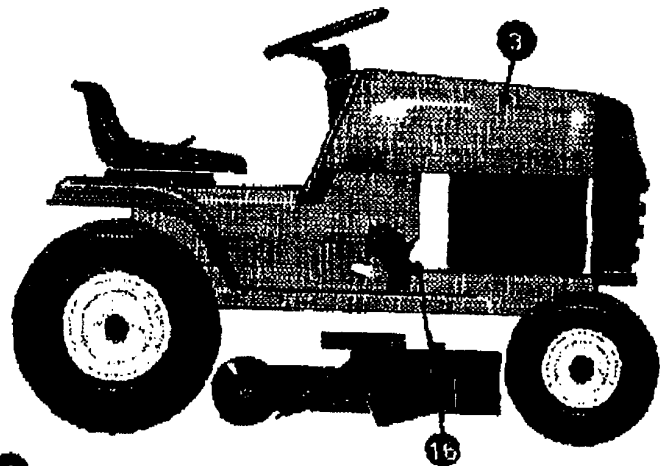
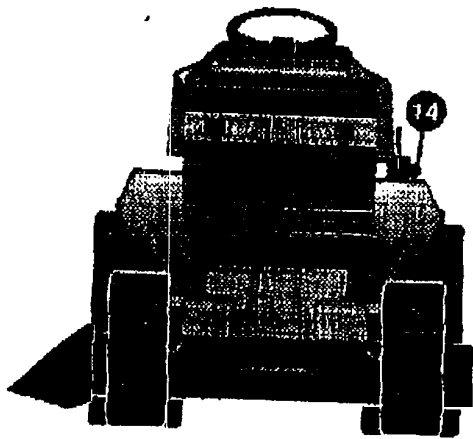
KEY#	PART#	DESCRIPTION	QTY
1	331739	WIRE HARNESS SF 8-12B&S	1
2	41482	PRESS CLIP, 1.380LG, 255ID	2
3	303064	ASSY, LIGHT WIRE-1/4 TURN	1
4	52572	BULB, HEADLAMP	2
5	57444	TIE, CABLE BLACK NYLON 5.62L	1
6	41482	PRESS CLIP, 1.380LG, 255ID	2
9	327354	SWITCH, IGNITION & LIGHTS DELTA	1
10	327352	NUT, 5/8-8ACME DELTA FOR BOOT	1
11	327350	KEY, IGNITION DELTA	1
12	57476	SWITCH, SCR MNT DP NC NO BLK	2
13	300902	SCREW, #10 X .50 HHTAPPST BLK	4
14	53716	SOLENOID	1
15	187745	SCREW, 1/4-20X .75 HXSEMMA	2
16	1084	WASHER, FLAT .281X1.00X .063PL	1
17	1502	NUT, 1/4-20 REGHEXCTRLK	2
18	271172	NUT, 1/4-20 REGHEXKEPS	1
19	271187	NUT, 5/16-24 HKEPS	2
20	55511	WIRE, GROUND, 12.5"	1
21	271184	NUT, 5/16-18 HEXKEPS	1
22	57547	SWITCH, SEAT	1
23	160505	SCREW, 1/4-20X .38PHPNHMA	2
24	302267	BATTERY, 12V	1
25	329175	BATTERY BRACKET	1
26	995346	SCREW, 1/4-20X .50 WAHTAP	1
27	187745	SCREW, 1/4-20X .75 HXSEMMA	1
28	1502	NUT, 1/4-20 REGHEXCTRLK	1
29	180020	SCREW, 1/4-20X .75 HHC	2
30	271172	NUT, 1/4-20 REGHEXKEPS	2
31	302031	FUSE SPADE TYPE 32V 15A	1
32	9149	BRACKET, CABLE RETAIN	1
33	57444	TIE, CABLE BLACK NYLON 5.62L	1
34	308201	INSULATOR, BATTERY BOOT EURO	1

**WIRING SCHEMATIC**

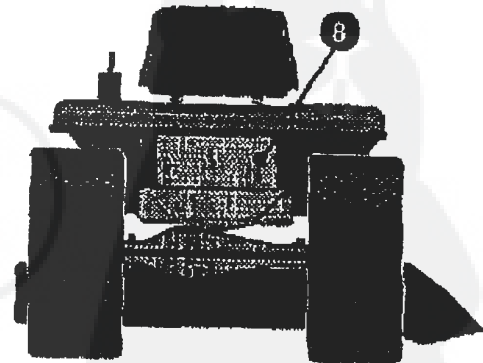
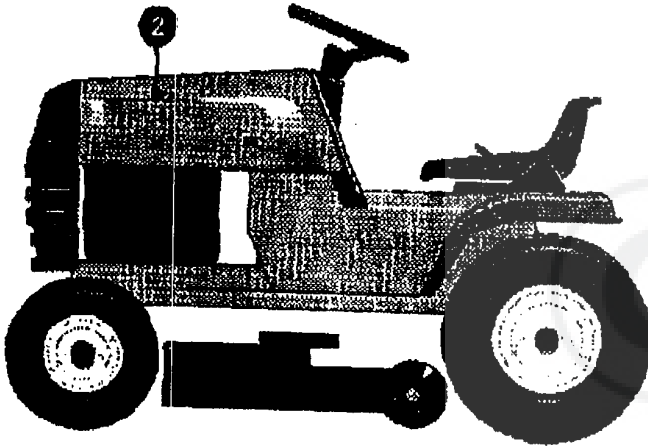
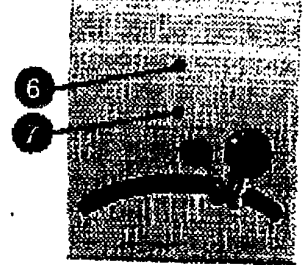


**E3554-390**

**REPAIR PARTS**



**CONSOLE DETAIL**



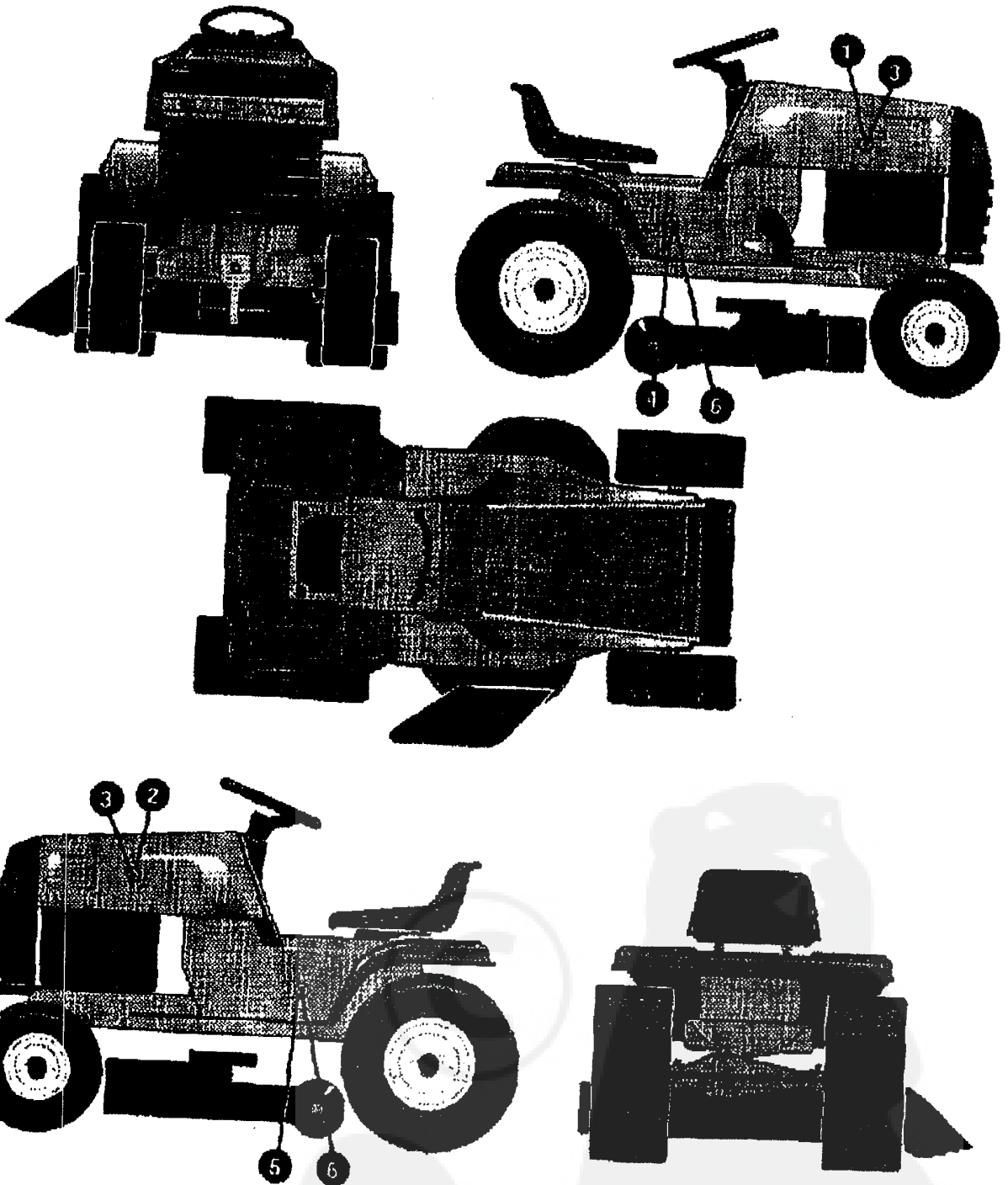
KEY#	PART#	DESCRIPTION	QTY
1	55832	PAD, FOAM TOP HOOD H-4	1
2	55833	PAD, FOAM HOOD H-4 SIDE LH	1
3	55834	PAD, FOAM HOOD H-4 SIDE RH	1
4	926687	DECAL DASH, DYNAMARK EXP	1
6	69524	DECAL, INSTRUCT CONSOLE TOP GER	1
7	907983	DECAL, INSTR. CONSOLE TOP ENGL	1
9	305770	DECAL, CAUTION TRIANGLE EUROPE	1
10	68902	DECAL, WARNING, FRENCH/GERMAN	1
11	310553	DECAL, DANGER ENGLISH	1
12	911394	DECAL, SHIFT REV/NEUTRAL	1
13	391013	DECAL, SHIFTER POSITION	1
14	402214	DECAL, HEIGHT ADJUST	1
16	68903	DECAL, BRAKE/CLUTCH ISO	1

333663 A



E3554-390

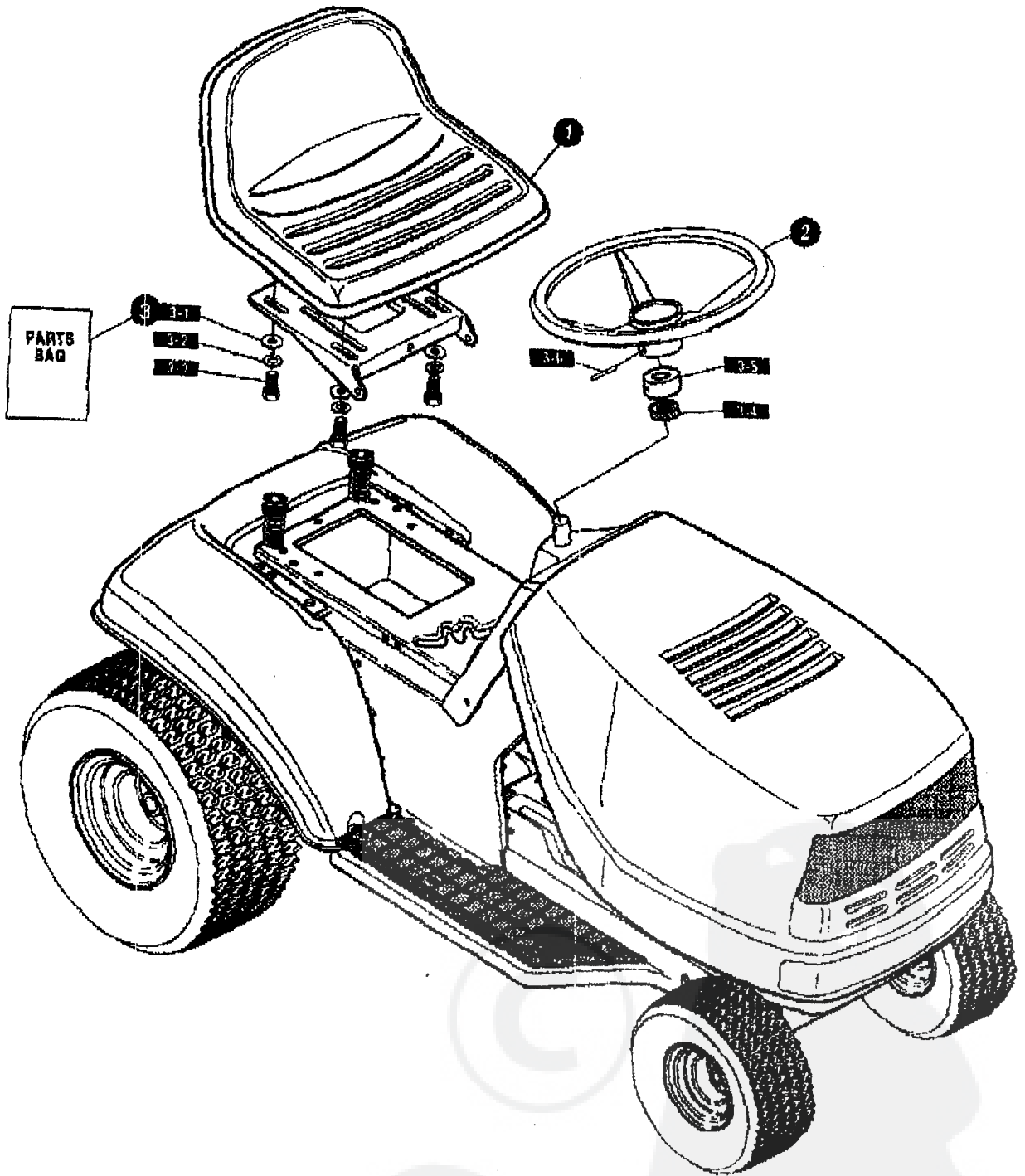
**DECAL ASSEMBLY**



KEY#	PART#	DESCRIPTION	QTY
1	320714	DECAL, HOODSIDE RH H-21	1
2	320713	DECAL, HOODSIDE LH H-21	1
3	402497	NAMEPLATE, ECOTRAC	2
4	314460	DECAL, CONSOLE RH STRETCH FRM	1
5	314461	DECAL, CONSOLE LH STRETCH FRM	1
6	300442	NAME PLATE, 12/39 WHITE	2

333664 A

REPAIR PARTS



**NOTE: ALWAYS USE ORIGINAL EQUIPMENT PARTS.** Use of service/replacement parts other than original equipment parts may void your warranty.

**ALL UNNUMBERED ITEMS ARE INTERCHANGEABLE WITH OPPOSITE SIDE**

327405 D

**E3554-390**

**CUSTOMER ASSEMBLY**

KEY#	PART#	DESCRIPTION	QTY
1	57455	SEAT, MICHIGAN GEN. W/SW HOLE	1
2	330510	STEERING WHEEL	1
3	331424	PARTS BAG, ASSY SEAT/STEER	1
3-1	120393	WASHER, FLAT .344X .60X .065	4
3-2	120838	WASHER, HVSP/TLK .328X .60X .09	4
3-3	180077	SCREW, 5/16-18X .75 HMC	4
3-4	331322	COVER, STEERING SHAFT	1
3-5	301413	SPACER, STEERING SHAFT	1
3-6	458378	PIN, SPRING .250 DIA X 2.00 LG HVPL	1

