

UTILISEZ DES PIÈCES D'ORIGINE POUR CONSERVER L'APPLICATION DE LA GARANTIE.

TOUTES LES PIÈCES NON RÉFÉRÉES SONT INTERCHANGEABLES AVEC LEURS OPPOSÉS.

325976 C

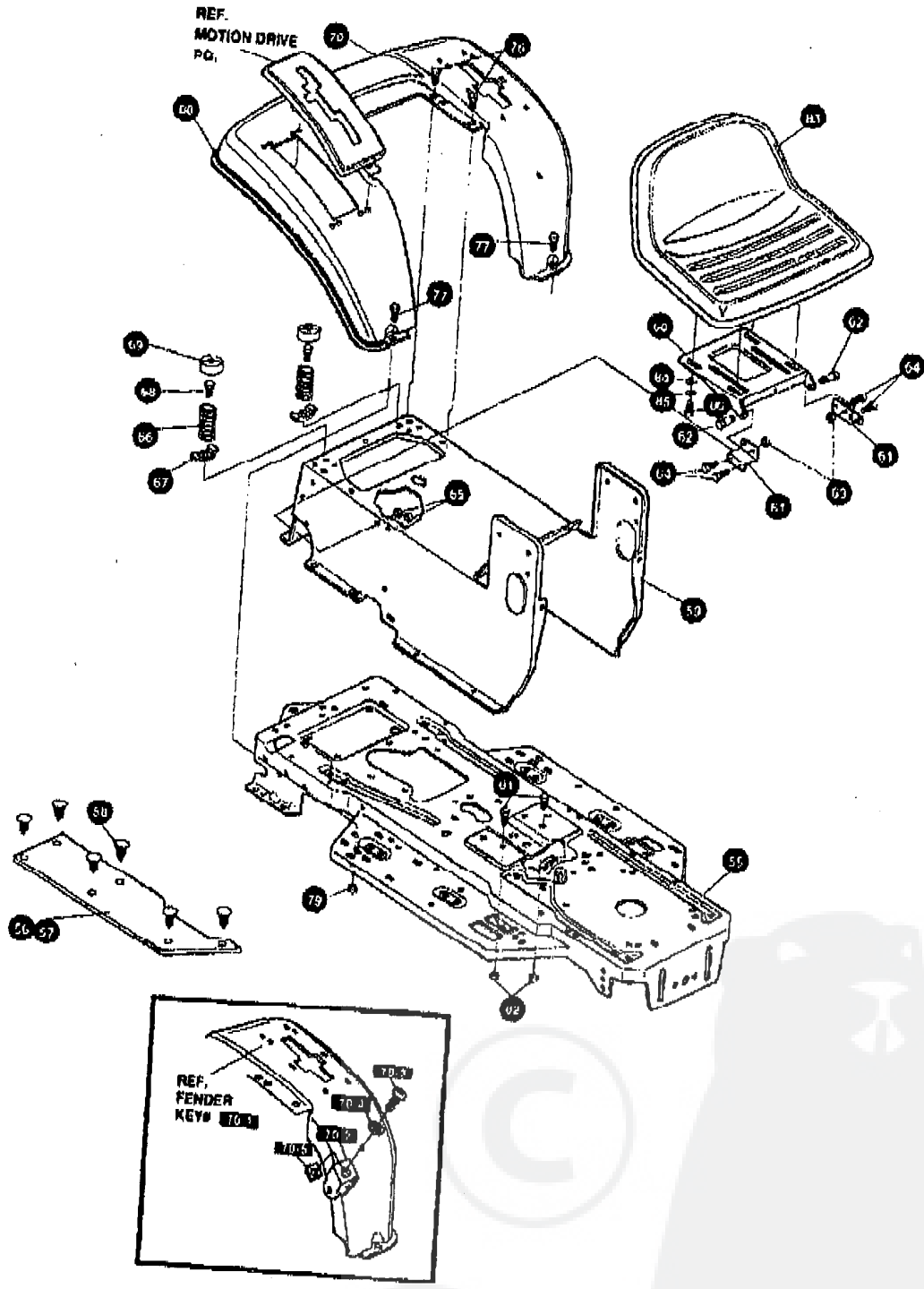
# TRACTEUR TONDEUSE 40" MODELE E3560-260

KEY#	PART#	DESCRIPTION	QTY
1	326589-853	BRACKET, GRILLE LH	1
2	326568-853	BRACKET, GRILLE RH	1
3	313541-853	BRACKET, FRONT AXLE	1
4	56030	SCREW, 5/16-18X.75WDFLLK	6
5	55273	NUT, 5/16-18 HXWDFLLK	5
6	300440	GUIDE, BELT, RIDER	1
7	1498	NUT, 5/16-18 REGHEXCTRLK	1
8	308207	ROIT, .625X2.18 HMBH 1/2-13	1
9	309008	NUT, 1/2-13 HEXJAM CTRLK	1
10	180138	SCREW, 3/8-16X3.00 HHC	2
11	2483	WASHER, 39IDX1.25DX.07 BELLVIL	2
12	1498	NUT, 3/8-16 REGHEXCTRLK	1
13	300635	GUIDE, BELT SHORT 15" WHEEL	1
14	124824	NUT, 5/16-18 HEXJAM	1
15	271180	NUT, 3/8-16 HEXKEPS	1
16	46763	RIVET, POP, .187DIA X .460LG ST	3
17	35497	SCREW, 5/16-18X .50 WAHTAP	2
18	995346	SCREW, 1/4-20X .50 WAHTAP	10
19	58312-853	SUPPORT, DASH STEEL	1
20	300300	SCREW, 25X.75X.51HHWAPLASTITE	2
21	300201-853	BRACE, DASH SUPPORT LOWER	1
22	1502	NUT, 1/4-20 REGHEXCTRLK	1
23	302530-853	BRKT, GAS TANK	1
24	995346	SCREW, 1/4-20X .50 WAHTAP	2
25	300264-853	BRACE, DASH SUPPORT UPPER	1
26	995346	SCREW, 1/4-20X .50 WAHTAP	2
27	305428	DASH GP W/O GRAPHIC, SUS BLK173	1
28	995346	SCREW, 1/4-20X .50 WAHTAP	4
29	316868	WASHER, SHOULDER NYLON, 265X.46	4
30	44811	SCREW, 1/4-20X .75 WAHTAP	1
31	1502	NUT, 1/4-20 REGHEXCTRLK	1
32	332568	HOOD, H-11 PLASTIC GREY	1
33	318197	PAD, ADHESIVE 1.00X1.50X.12	4
34	303037	GRILL LWR GPWR LG G-14 GREY630	1
35	300302	SCREW, #10 X .50 HHTAPPST BLK	4
36	310203	CLIP, HOG RING C-SHAPED	1
37	301425	BRACE, HOOD SUPPORT H-11 GP	1
38	301542	SCREW, 10-24X1.00HWATAPBLKPHOS	4
39	271166	NUT, #10-24 HEXKEPS	4
40	302339	LENS, SMOKED W/TAB NO LOGO	1
43	57798	SCREW, #6 X .50 PLASTITE/HI-LO	4
44	56676	BOLT, .375X .580 HSSH 5/16-18	2
45	1498	NUT, 5/16-18 REGHEXCTRLK	2
46	57478	SPRING, HOOD LATCH	2
47	301452	FOIL, HEAT REFLECTOR	1
48	180079	SCREW, 5/16-18X1.00 HHC	2
49	1498	NUT, 5/16-18 REGHEXCTRLK	2
50	330510	STEERING WHEEL	1
51	456378	PIN, SPRING 250DIAK2.00LG HVPL	1
52	332380	PARTS MANUAL	1
53	332367	OPERATOR'S MANUAL	1
54	327627	GRASS CATCHER MANUAL	1
55	328195	AIR ASSIST MANUAL	1

ENSEMBLE CHASSIS & CAPOT (ARRIERE)

MODELE E3560-260

10:00 No.008 P.04

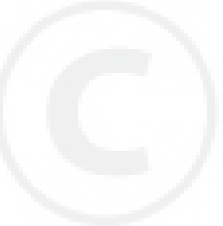


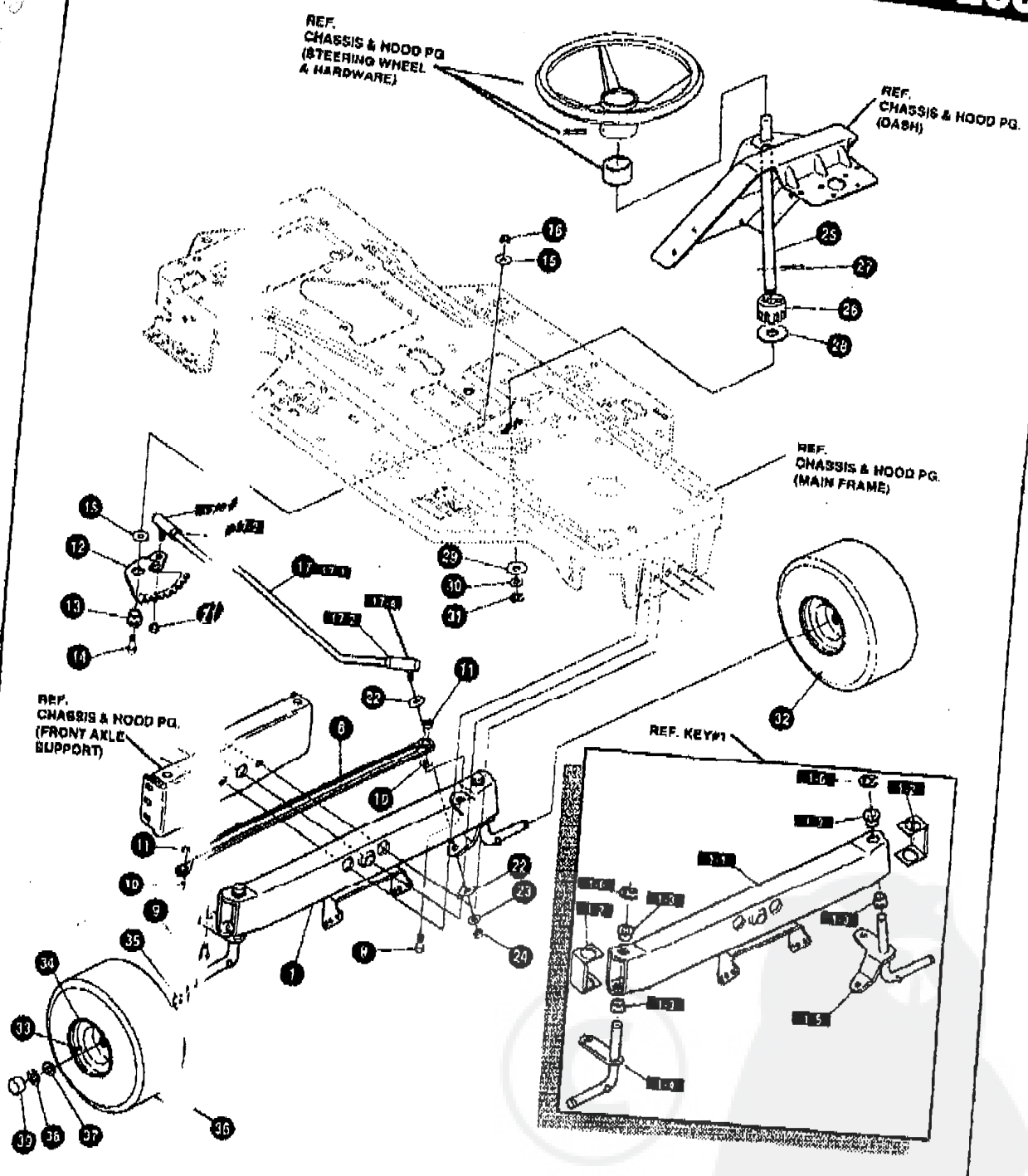
UTILISEZ DES PIÈCES D'ORIGINE POUR CONSERVER L'APPLICATION DE LA GARANTIE.

TOUTES LES PIÈCES NON REFERÉES SONT INTERCHANGEABLES AVEC LEURS OPPOSÉS.

325804 B

KEY#	PART#	DESCRIPTION	QTY
55	326577-854	FRAME,LF MAIN P820/F4380	1
56	310005	FOOT PAD, LH 22.12LG DYNA F-5	1
57	310006	FOOT PAD, RH 22.12LG DYNA F-5	1
58	309235	FASTENER, RATCHET BLACK	12
59	327375-854	CONSOLE, NON-WALK THRU, LFSOF	1
60	58367-854	PLATE, SEAT F5 SF, LF	1
61	310680-854	BRACKET, F-5 SEAT SUPPORT	2
62	20507	BOLT, 437X, 166 HSSH 5/16-18	2
63	1498	NUT, 5/16-18 REGHEXCTRLK	2
64	48901	SCREW, 5/16-18X .63WAHHC	4
65	1498	NUT, 5/16-18 REGHEXCTRLK	4
66	57163	SPRING, SEAT 2.63LG, 1.49OD BLK	2
67	1341	LF CLAMP, SPRG 1.17"ID	2
68	44811	SCREW, 1/4-20X .75 WAHHTAP	2
69	58907	COVER SEAT SPRING 1.51DX1.0LG	2
70	327471	ASM FENDER F5 LF, SFP, SUSP	1
70-1	332185-896	FENDER, F5, SUS, LF, SFP	1
70-2	9239	LF CLEVIS	1
70-3	439455	SCREW, 5/16-18X .60PHPNMA BKPH	1
70-4	301551	WASHER, 3441DX1.50DX .09 CU ZN	1
70-5	120373	NUT, 5/16-18 SQ	1
76	895346	SCREW, 1/4-20X .50 WAHHTAP	4
77	126338	BOLT, 5/16-18X1.00 CARRLN	2
79	55273	NUT, 5/16-18 HXWDFLLK	2
80	65023	TRIM, 77.5" BLACK NARROW	77.5
81	180078	SCREW, 5/16-18X1.00 HHC	2
82	1498	NUT, 5/16-18 REGHEXCTRLK	2
83	332667	SEAT MICHIGAN GEN, W/SW HOLE	1
84	120393	WASHER, FLAT 344X .60X .065	4
85	120638	WASHER, HVSP TLK 328X .60X .09	4
86	180077	SCREW, 5/16-18X .75 HHC	4





UTILISEZ DES PIÈCES D'ORIGINE POUR CONSERVER L'APPLICATION DE LA GARANTIE.

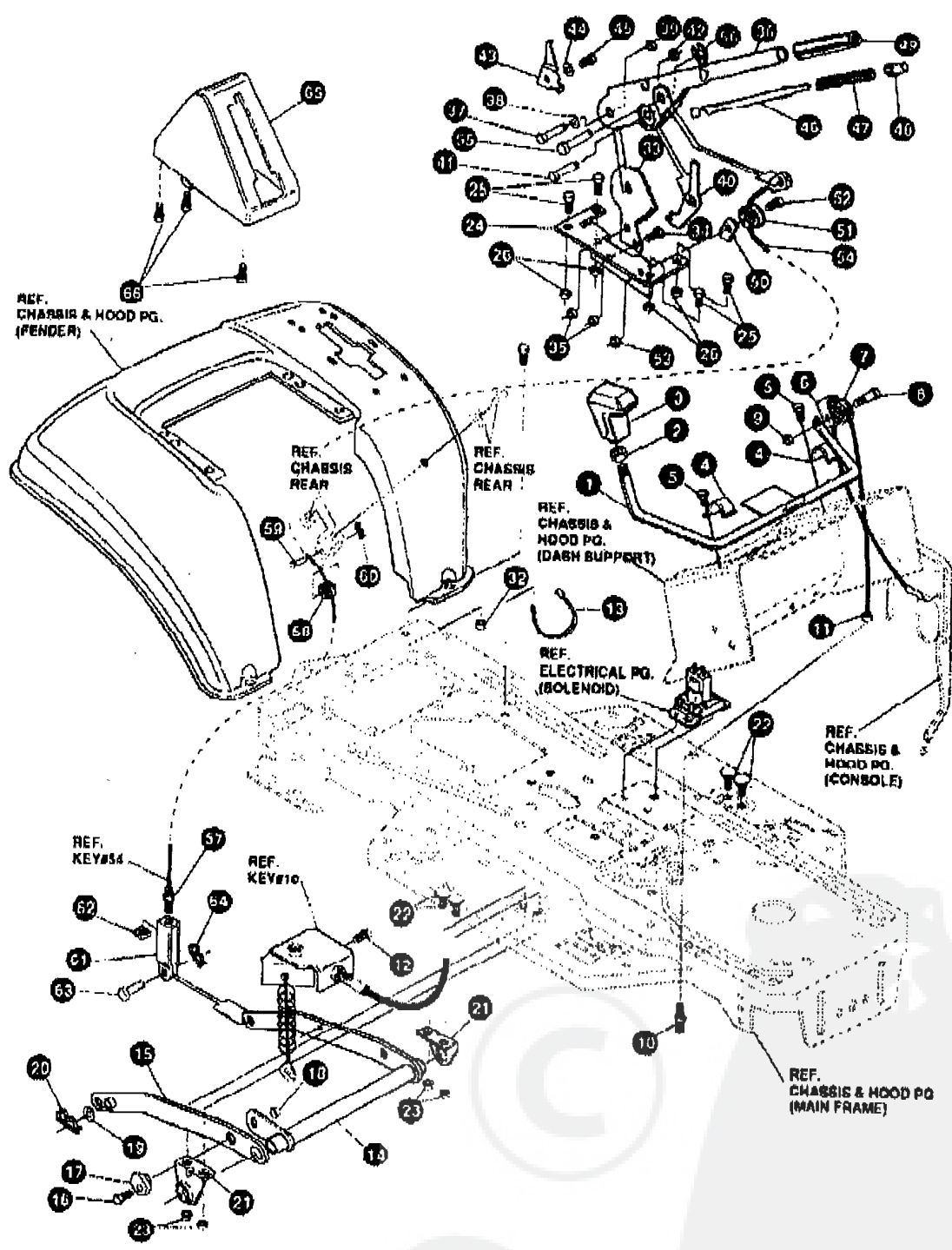
TOUTES LES PIÈCES NON REFERÉES SONT INTERCHANGEABLES AVEC LEURS OPPOSÉES.

KEY#	PART#	DESCRIPTION	QTY
1	A		
1-1	310170	ASSY.AXLE FRONT 4WS SUSP	1
1-2	53373-854	AXLE, FRONT	1
1-3	52407	AXLE COVER	1
1-4	302926	SPINDLE BEARING	2
1-5	315886	ASSY.SPINDLE RH	4
1-6	38825	ASSY.SPINDLE LH	1
8	304590	RING, RETEX .57X.05TRU5133-75	1
9	19012A	TIE ROD ASSY 19.81LG W-SECTION	2
10	120382	SCREW, 3/8-16X1.75 HHC	1
11	120377	WASHER, REGSPTLK.393X.68X.10	2
12	58289	NUT, 3/8-16 REGHX	2
13	52406	SECTOR, STEERING LF	2
14	180177	BRNG, FL ECC.510IDX .998ODX .56	1
15	22265	SCREW, 1/2-13X1.50 HHC	1
16	1500	WASHER, FLAT .515X1.38X.110PL	1
17	311100	NUT, 1/2-13 REGHCTALK	2
17-1	68291	KIT 300148 DRAGLINK	1
17-2	124925	STEERING LINK	1
17-3	67158	NUT, 3/8-24 REGHEXJAM	1
17-4	21275	BALL JOINT 3/8 THD SHORT STUD	2
21	46692	BALL JOINT 3/8 THD LONG STUD	1
22	898416	NUT, 3/8-24 WDFLHK WHIZ	1
23	120382	WASHER, FLAT .381X1.00X.125	1
24	120366	WASHER, REGSPTLK.393X.68X.10	2
25	332528	NUT, 3/8-24 REGHEX	1
26	58244	SHAFT, STEERING LF, 2WS	1
27	58274	PINION, STEERING LF	1
28	301410	PIN, DOWEL .2500 OD+1.75LG PL	1
29	301398	BRNG, FL .752IDX1.091ODX .24	1
30	21682	WASHER, FORMED1.135X1.53X.12	1
31	38825	WASHER, FLAT .765X1.25X.042PL	1
32	302828	RING, RETEX .57X.05TRU5133-75	1
33	24157	TIRE & RIM, PU 15X6.0X6 TURWHI	2
34	39829	VALVE STEM	1
35	39879	WHEEL W/BEARINGS	1
36	316702	BRNG, FL .753IDX1.38 ODX	1
37	642	TIRE, 15 X 6 X 6	1
38	36625	WASHER, FLAT .755X1.31X.076	4
39	40394	RING, RETEX .57X.05TRU5133-75	2
		HUB CAP, 1.600ID X 7/8LG	2

^ ORDER INDIVIDUAL PARTS

**ENSEMBLE DE SUSPENSION DE LA TONDEUSE**

**MODELE E3560-260**



UTILISEZ DES PIÈCES D'ORIGINE POUR CONSERVER L'APPLICATION DE LA GARANTIE.

TOUTES LES PIÈCES NON REFERÉES SONT INTERCHANGÉABLES AVEC LEURS OPPOSÉS.

315597 G

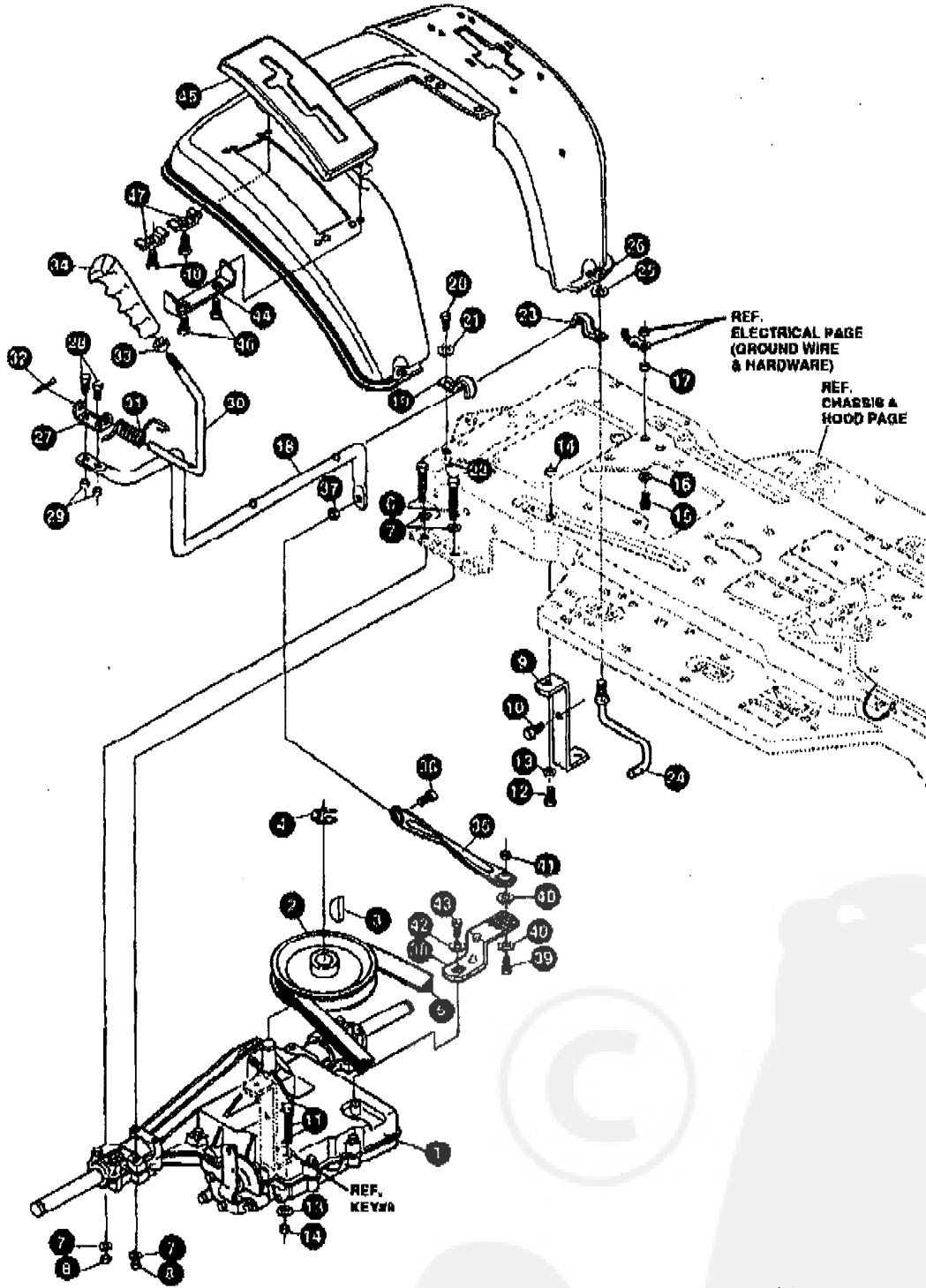


# TRACTEUR TONDEUSE 40" MODELE E3560-260

KEY#	PART#	DESCRIPTION	QTY
1	303044-853	ASSY,WELD,CLUTCH HDLE	1
2	120238	NUT, 1/2-13 HEXJAM	1
3	304438	KNOB, SHIFT NOMA 1/2-13 BLK	1
4	9129	LF CLIP, RETAIN BRKT	2
5	44811	SCREW, 1/4-20X .75 WAHTAP	2
6	1288	LF BRKT, CABLE RETAIN	1
7	48306	PULLEY POWDER METAL	1
8	57322	BOLT, .375X .375 HSH 1/4-20	1
9	1502	NUT, 1/4-20 REGHEXCTRLK	1
10	301491	ASSY,CL. CABLE GEN PWR 3050SUS	1
11	120013	NUT, 1/4-28 HJAM	1
12	35498	SCREW, 5/16-18X .75 WAHTAP	1
13	57444	TIE, CABLE BLACK NYLON 5.62L	1
14	300158-853	LIFT ASSY, LH	1
15	300169-853	LIFT ASSY, RH	1
16	180079	SCREW, 5/16-18X1.00 HHC	1
17	58247	NUT, ADJUST	1
18	1498	NUT, 5/16-18 REGHEXCTRLK	1
19	417098	WASHER, FLAT .531X1.06X.063	2
20	8280	PIN, HAIR .091 DIA X1.68LG	2
21	58248-853	BRACKET, REAR HANG SUSP	2
22	67072	BOLT, 5/16-18X .63 CARBLN	4
23	1498	NUT, 5/16-18 REGHEXCTRLK	4
24	313926	BRACKET, HGT/ADJUST SUPPRT	1
25	180077	SCREW, 5/16-18X .75 HHC	4
26	1408	NUT, 5/16-18 REGHEXCTRLK	4
31	180077	SCREW, 5/16-18X .75 HHC	1
32	1498	NUT, 5/16-18 REGHEXCTRLK	1
33	301238	QUADRANT,HEIGHT ADJUST	1
34	160077	SCREW, 5/16-18X .75 HHC	2
35	1498	NUT, 5/16-18 REGHEXCTRLK	2
36	522292-853	HANDLE,LIFT SHORT(30" S.F.)	1
37	300171	BOLT, .500X .270 HSH 5/16-18	1
38	895418	WASHER, FLAT .508X .76X.024	1
39	44108	NUT, 5/16-18 HWDFLCTRLK	1
40	301239	PAWL, SQUARE	1
41	300171	BOLT, .500X .270 HSH 5/16-18	1
42	44108	NUT, 5/16-18 HWDFLCTRLK	1
43	9435	LF POINTER, HEIGHT ADJ	1
44	138479	WASHER, EXLK 1.85X.41X.03	1
45	35287	SCREW, #8-32X .38 HHWATAP	1
46	303027	ROD,ACTUATOR-SHORT	1
47	58326	SPRING, HEIGHT ADJUST	1
48	58325	KNOB, HEIGHT ADJ PUSH BUTTON	1
49	58329	GRIP, .750 OD W/ HOLE BLACK	1
50	9149	LF BRKT, CABLE RETAIN	1
51	48308	PULLEY, POWDER METAL	1
52	58336	BOLT, .375X .375 HSH 1/4-20	1
53	1502	NUT, 1/4-20 REGHEXCTRLK	1
54	314177	CABLE, LIFT 22.92 F-5 20X8-8	1
55	300310	PIN, CLEVIS .310DIA+.475LG ZPL	1
56	300311	RING, RET E .31X.25TRUX6193-31	1
57	120375	NUT, 1/4-20 REGHEX	1
58	48308	PULLEY, POWDER METAL	1
59	300917	PIN, CLEVIS .375DIA X .81 LG	1
60	8280	PIN, HAIR .091 DIA X1.68LG	1
61	9405	LF CLEVIS, LIFT CABLE	1
62	120372	NUT, 1/4-20 REGSO	1
63	39522	PIN, CLEVIS .312 X .812	1
64	121222	PIN, COTTER .090 DIA X .76LG	1
65	300335	LIFT COVER-39" F5	1
66	300340	SCREW, #10 X .75 HHPLAST BLK	3



TRANSMISSION



UTILISEZ DES PIÈCES D'ORIGINE POUR CONSERVER L'APPLICATION DE LA GARANTIE.

TOUTES LES PIÈCES NON REFÉREES SONT INTERCHANGEABLES AVEC LEURS OPPOSEES.

326597 D

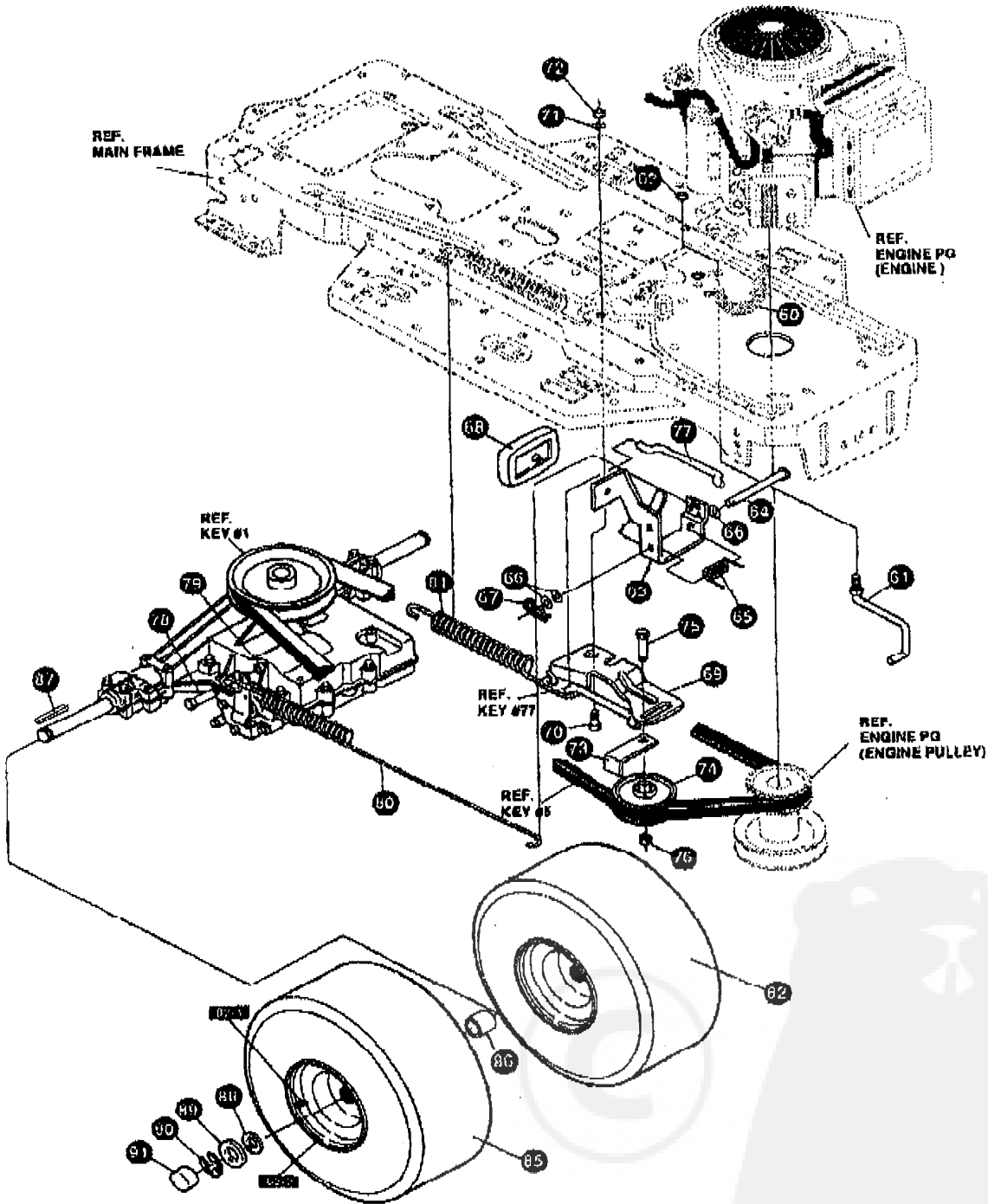
# TRACTEUR TONDEUSE 40" MODELE E3560-260

KEY#	PART#	DESCRIPTION	QTY
1	A	TRANSAXLE P940-6 2WS, LF, SF	1
2	302745	PULLEY, 6.6 OD V4L T/A	1
3	50795	KEY, HI-PRO 806 .76DIA X .187WD	1
4	22053	RING, RETEX, 58X.035TRU5100-62	1
5	314180	BELT, V 4L 87.25 4WS LF	1
6	180091	SCREW, 5/16-18X2.50 HHC	4
7	120393	WASHER, FLAT .344X .89X.065	8
8	1498	NUT, 5/16-18 REGHEXCTRLK	4
9	325202-853	BRACKET, STABILIZER	1
10	50847	SCREW, 3/8-16X1.25 WAHHTAPBLKP	1
11	180087	SCREW, 5/16-18X2.00 HHC	2
12	180079	SCREW, 5/16-18X1.00 HHC	1
13	120393	WASHER, FLAT .344X .89X.065	2
14	1498	NUT, 5/16-18 REGHEXCTRLK	2
15	180077	SCREW, 5/16-18X .75 HHC	1
16	138638	WASHER, REGINTLK .320X .61X.03	1
17	1498	NUT, 5/16-18 REGHEXCTRLK	1
18	330462	LEVER, SHIFT-LWR P940 LF	1
19	310347-853	CLIP- SHIFT LEVER .825 ROD	1
20	180077	SCREW, 5/16-18X .75 HHC	1
21	985416	WASHER, FLAT .391X1.00X.125	1
22	1498	NUT, 5/16-18 REGHEXCTRLK	1
23	310347-853	CLIP- SHIFT LEVER .825 ROD	1
24	67250	GUIDE, BELT 5/16-18YHD	1
25	998416	WASHER, FLAT .391X1.00X.125	1
26	1498	NUT, 5/16-18 REGHEXCTRLK	1
27	310366	LF BRKT, PIVOT SH LEV	1
28	180020	SCREW, 1/4-20X .75 HHC	1
29	1502	NUT, 1/4-20 REGHEXCTRLK	2
30	309635	LEVER, SHIFT UPPER 60F 1/2-13	1
31	310285	SPRING, TORS. 56X.05X.095	1
32	137185	PIN, COTTER .125 DIA X 1.00LG	1
33	120238	NUT, 1/2-13 HEXJAM	1
34	306880	HANDLE 1/2-13 MOLDED BLACK	1
35	325192	LINK TIEROD SHIFT P940-6 & 6SPD	1
36	180124	SCREW, 3/8-16X1.25 HHC	1
37	1498	NUT, 3/8-16 REGHEXCTRLK	1
38	327460	BRKT, SHIFTSPP LF FEND	1
39	180124	SCREW, 3/8-16X1.25 HHC	1
40	120394	WASHER, FLAT .406X .81X.065	2
41	1498	NUT, 3/8-16 REGHEXCTRLK	1
42	57157	WASHER, 760X.250 SP-TRANSAXLE	1
43	58255	SCREW, 1/4-28X .75 NYLHHC	1
44	311257-853	BRACKET COVER F-5 FNDR SHIFT	1
45	311208	COVER PLASTIC LF P930/P4950-6	1
46	311331	SCREW, 1/4-15X.44/.53 HILOHHWA	2
47	1341	LF CLAMP, SPRG 1.17" ID	2
48	311331	SCREW, 1/4-15X.44/.53 HILOHHWA	2

\* CONTACT YOUR NEAREST TRANSAXLE DEALER FOR PARTS & SERVICE

# TRACTEUR TONDEUSE 40" MODELE E3560-260

## TRANSMISSION



UTILISEZ DES PIÈCES D'ORIGINE POUR CONSERVER L'APPLICATION DE LA GARANTIE.

TOUTES LES PIÈCES NON RÉFÉRÉES SONT INTERCHANGEABLES AVEC LEURS OPPOSÉS.

327597 D

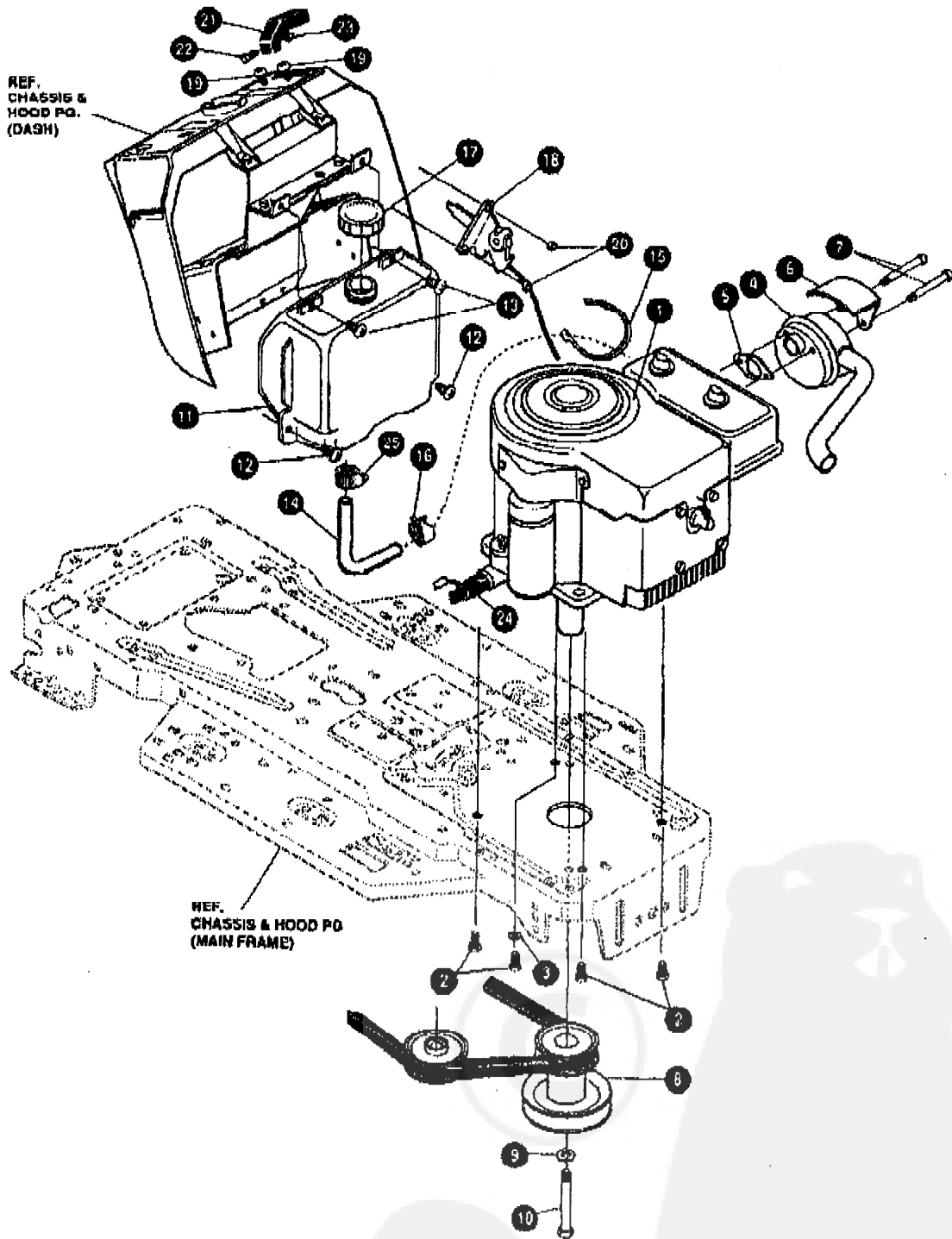
ID: PART 00 00 10 00 00 00

# TRACTEUR TONDEUSE 40" MODELE E3560-260

KEY#	PART#	DESCRIPTION	QTY
80	321514	SPRING, DRAG LINK BIAS .....	1
61	304016	GUIDE, BELT R.H. ....	1
62	1498	NUT, 5/16-18 REGHEXCTRLK .....	1
63	325942	SF PEDAL ASSY, BRAKE/CLUTCH LF .....	1
64	319875	PIN, CLEVIS .500DX4.63LG .....	1
65	57847	SPRING, BRAKE PEDAL .....	1
66	2958	WASHER, FLAT .504X.75X.059 .....	3
67	56180	PIN, HAIR .091 DIA X 1.82LG .....	1
68	48160	PAD, CLUTCH BRAKE W/PINING .....	1
68	320381-653	ARM, IDLER TRACTION, SOG LF .....	1
70	329989	BOLT, .625X .135 HSSH 5/16-18 .....	1
71	45602	WASHER, FLAT .333X.87X.119 .....	1
72	1498	NUT, 5/16-18 REGHEXCTRLK .....	1
73	38859	RETAINER, BELT .....	1
74	35374	PULLEY, IDLER V4L 3.06X .62 .....	1
75	45892	BOLT, 3/8-16X1.50 CARRON .....	1
76	1498	NUT, 3/8-16 REGMXCTRLK .....	1
77	57204	ROD, CLUTCH 3.92" .....	1
78	326191	BOLT, .495X .31 HSSH 5/16-18 .....	1
79	1498	NUT, 5/16-18 REGHEXCTRLK .....	1
80	325910	SPRING, BRAKE 31.12 PD40 LF .....	1
81	330505	SPRING, CLUTCH .113X.760X8.75 .....	1
82	57166	TIRE & RIM, 20X8.00-8 WHITE 668 .....	2
82-1	24187	VALVE STEM .....	
82-1	57165	RIM, WHEEL .....	
85	319884	TIRE, 20 X 8 X 8 .....	
86	301565	SPACER, SLEV .750X1.25X .50 PL .....	2
87	52928	KEY, SQUARE .1875DX2.25LG .....	2
88	842	WASHER, FLAT .755X1.31X.075 .....	4
89	42815	WASHER, FLAT .755X1.53X.07 .....	2
90	38825	RING, RETEX .67X.05TRU5133-75 .....	2
91	40394	HUB CAP, 1.600ID X 7/8LG .....	2

# TRACTEUR TONDEUSE 40" MODELE E3560-260

## MOTEUR ENSEMBLE



UTILISEZ DES PIÈCES D'ORIGINE POUR CONSERVER L'APPLICATION DE LA GARANTIE.

TOUTES LES PIÈCES NON REFEREES SONT INTERCHANGEABLES AVEC LEURS OPPOSEES.

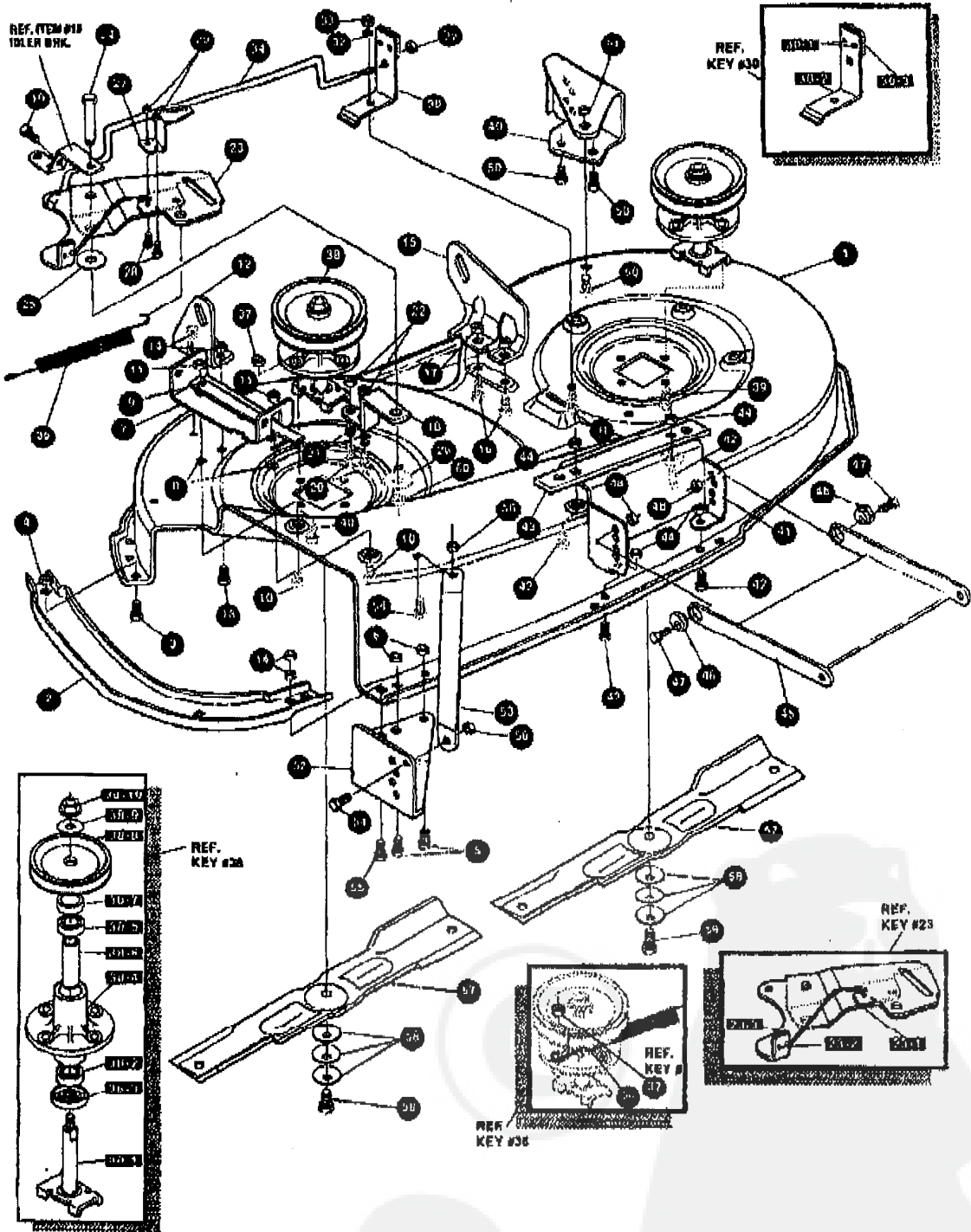
326200 G

# TRACTEUR TONDEUSE 40" MODELE E3560-260

KEY#	PART#	DESCRIPTION	QTY
1	ENGINE	12-12.5HP BS IC DUAL(SEE ENGINE MANUAL)	1
2	50947	SCREW, 3/8-16X1.25 WAHHTAPBLKP	4
3	138488	WASHER, EXLK .384X.69X.04	1
4	305367	MUFFLER-LO TONE NELSON EXPORT	1
5	46708	GASKET, MUFFLER	1
6	54767	SHIELD, HEAT FOR ROUND MUFFLER	1
7	173063	SCREW, 6/16-18X3.50 HHC	2
8	328028	PULLEY, ENG 3.00 X 4.0LG X 5.0D	1
9	120383	WASHER, REQSP TLK.459X.78X.12	1
10	433146	SCREW, 7/16-20X4.25 HHC BLK PH	1
11	314991	TANK, FUEL 2-GAL GPWR CLEAR	1
12	300303	SCREW, .25X.75X.51HHWAPLASTITE	2
13	996340	SCREW, 1/4-20X .50 WAHHTAP	2
14	50118	TUBING, .25X.50X BULK GAS LINE	14.0
15	67444	TIE, CABLE BLACK NYLON 5.62L	1
16	47346	CLAMP, HOSE SCREW TYPE	1
17	300304	CAP, GAS - 2.0 THROAT	1
18	303159	THROTTLE, CONTROL 11HP BS GP	1
19	320553	SCREW, 10-24X.63PHPNMA CRSS	2
20	271166	NUT, #10-24 HEXKEPS	2
21	900508	KNOB, THROTTLE CONTROL GP STYLE	1
22	159585	SCREW, #8-32X .38 PHPNMA	1
23	120622	NUT, #8-32 REGHX	1
24	326647	OIL DRAIN VALVE ASSEMBLY	1
25	47346	CLAMP, HOSE SCREW TYPE	1

# TRACTEUR TONDEUSE 40" MODELE E3560-260

## CARTER DE TONDEUSE



UTILISEZ DES PIÈCES D'ORIGINE POUR CONSERVER L'APPLICATION DE LA GARANTIE.

TOUTES LES PIÈCES NON  
REFEREES SONT  
INTERCHANGEABLES AVEC  
LEURS OPPOSEES.

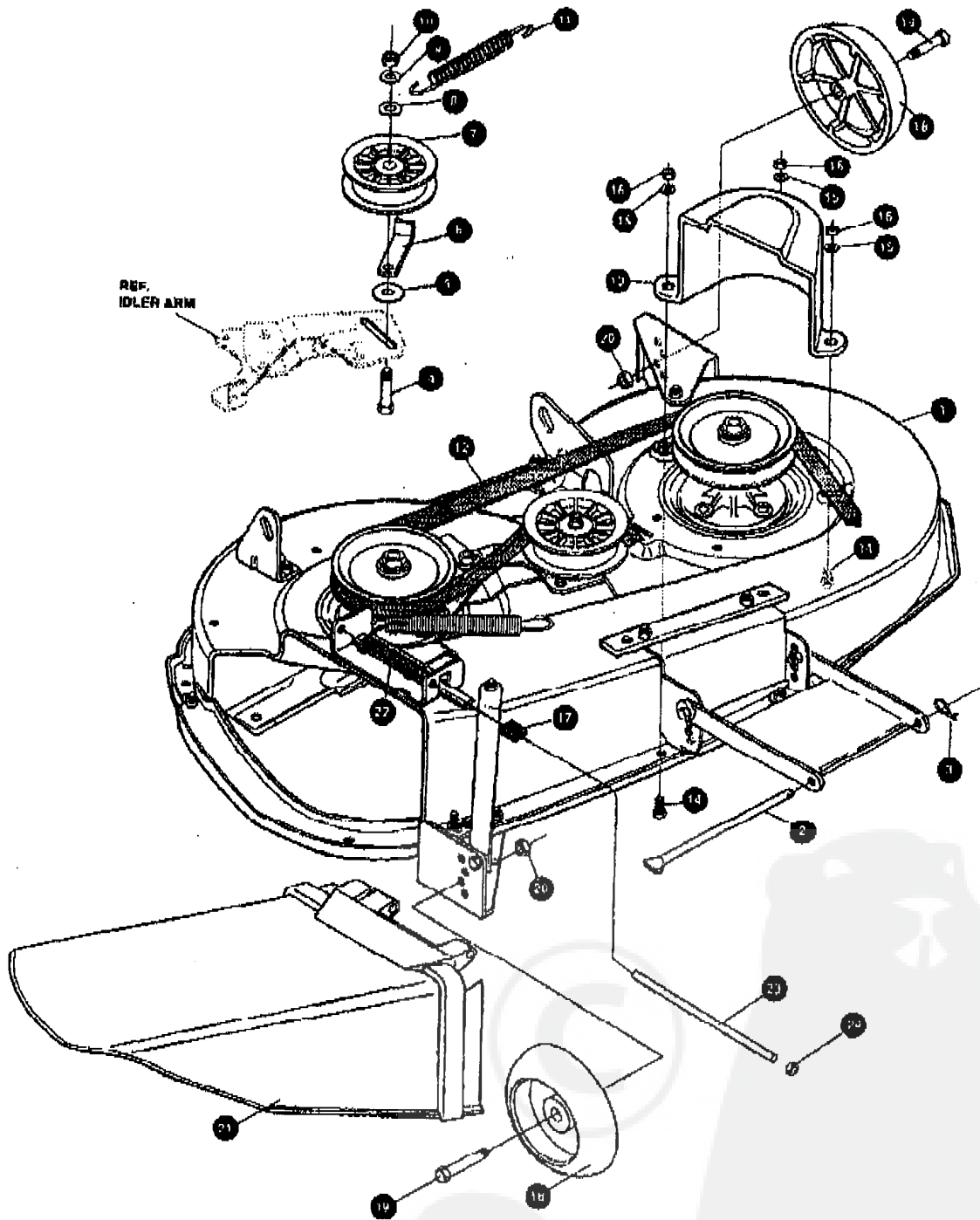
331147 B



KEY#	PART#	DESCRIPTION	QTY
1	325103	40" DECK KIT	1
2	325480-853	TOE GUARD - MULCHER	1
3	180077	SCREW, 5/16-18X .75 HHC	1
4	1498	NUT, 5/16-18 REGHEXCTRLK	1
5	180077	SCREW, 5/16-18X .75 HHC	1
6	1498	NUT, 5/16-18 REGHEXCTRLK	2
7	317017	BRACKET CHUTE MOUNT BLACK	1
8	120393	WASHER, FLAT .344X .69X .065	2
9	322320-853	LEVER ASSY (SHORT)	1
10	180077	SCREW, 5/16-18X .75 HHC	2
11	1498	NUT, 5/16-18 REGHEXCTRLK	2
12	313928	LIFT BRKT, REAR RH BLK 853	1
13	180077	SCREW, 5/16-18X .75 HHC	2
14	1498	NUT, 5/16-18 REGHEXCTRLK	2
15	310887	BRACKET, DECK LIFT/REAR LH/BLK	1
16	180077	SCREW, 5/16-18X .75 HHC	2
17	1498	NUT, 5/16-18 REGHEXCTRLK	2
18	328889-853	BRACE IDLER SUPPORT 40" 43"	1
19	305231	SCREW, 1/4-20X1.25 HHWATAP	1
20	180077	SCREW, 5/16-18X .75 HHC	2
21	120393	WASHER, FLAT .344X .69X .065	2
22	44108	NUT, 5/16-18 HWDFLCTRLK	2
23	320676-853	IDLER ARM ASSEMBLY	1
23-1	322118-853	ARM IDLER 40/43" DECK	1
23-2	41801	RIVET, OVSET, 187DIA X .60 LG ST	2
23-3	305973	BRAKE PAD - HARD - 232AF	1
24	304420	BOLT, 500X2.15 HSH	1
25	996307	WASHER, FLAT .391X1.00X.209	1
26	996416	WASHER, FLAT .391X1.00X.126	2
27	326249-853	BRACKET, EXTENSION IDLER	1
28	180077	SCREW, 5/16-18X .75 HHC	2
29	1498	NUT, 5/16-18 REGHEXCTRLK	1
30	321828	BLADE BRAKE ASSY	1
30-1	135824	RIVET, TRSET, 185DIA X .41 LG ST	2
30-2	304119-853	BRAKE ARM	1
30-3	305973	BRAKE PAD - HARD - 232AF	1
31	180077	SCREW, 5/16-18X .75 HHC	1
32	120393	WASHER, FLAT .344X .69X .065	1
33	1498	NUT, 5/16-18 REGHEXCTRLK	1
34	316396	ROD, BRAKE 40" DECK	1
35	1502	NUT, 1/4-20 REGHEXCTRLK	1
36	35410	SPRING .071 X .62 X 4.37	1
37	1498	NUT, 5/16-18 REGHEXCTRLK	1
38	66424-853	QUILL ASSY, 38/39/40/43	2
38-1	56425	SHAFT/SADDLE 36"	1
38-2	49562	BRNG, BALL 6203-2AA(SEALS)-C3	1
38-3	50616	DUST SHIELD	1
38-4	55547	QUILL CASTING (1046)	1
38-5	49562	BRNG, BALL 6203-2AA(SEALS)-C3	1
38-6	50818	SPACER, SLEV .669X .88X3.797	1
38-7	51449	SPACER, SLEV .872X .93X .498PM	1
38-8	313888	PULLEY ASSY	1
38-9	66365	WASHER, SPECIAL QUILL	1
38-10	1282	NUT, 7/16-20 WDFLLK	1
39	35498	SCREW, 5/16-18X .75 WAHHTAP	7
40	300345	SCREW, 5/16-18X1.38 WAHHTAP	1
41	218445-853	BRACKET, 40 LF FRONT DECK	1
42	180077	SCREW, 5/16-18X .75 HHC	4
43	328155-853	PLATE-MOUNTING	1
44	1498	NUT, 5/16-18 REGHEXCTRLK	4
45	58305-853	BRACKET, LINK DECK FRONT	1
46	58247	NUT, ADJUST	2
47	180077	SCREW, 5/16-18X1.00 HHC	2
48	1498	NUT, 5/16-18 REGHEXCTRLK	2
49	317041	BHKT, GAGE WHEEL LH BLACK	1
50	180077	SCREW, 5/16-18X .75 HHC	3
51	1498	NUT, 5/16-18 REGHEXCTRLK	3
52	322464-853	BRACKET, GAGE WHEEL R.H. FRNT	1
53	314282-853	BRACKET, STABILIZER	1
54	180077	SCREW, 5/16-18X .75 HHC	1
55	12685	SCREW, 5/16-18X1.50HHGFT	1
56	1498	NUT, 5/16-18 REGHEXCTRLK	1
57	309070	BLADE, 20.32 HIGH-LIFT 853	2
58	2483	WASHER, 3/8DX1.25DX.07 BELLVIL	6
59	39573	SCREW, 3/8-24X1.00 NYLHHC	2
60	45171	NUT, 3/8-16 HWDFL WHIZ-LOCK ZN	1

# TRACTEUR TONDEUSE 40" MODELE E3560-260

## CARTER DE TONDEUSE



UTILISEZ DES PIÈCES D'ORIGINE POUR CONSERVER L'APPLICATION DE LA GARANTIE.

TOUTES LES PIÈCES NON REFÉREES SONT INTERCHANGEABLES AVEC LEURS OPPOSEES.

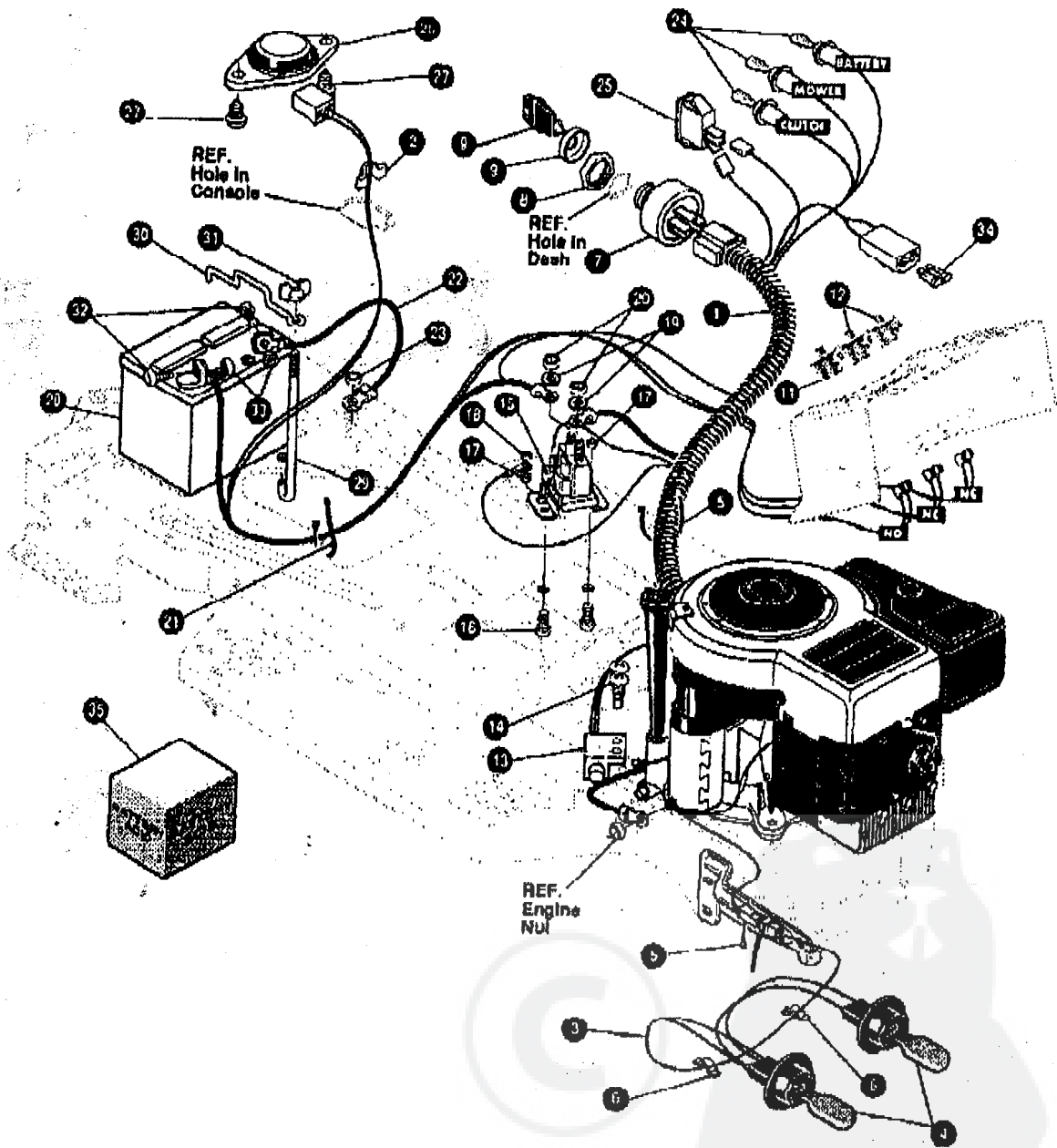
331145 B

# TRACTEUR TONDEUSE 40" MODELE E3560-260

KEY#	PART#	DESCRIPTION	QTY
1	329035	ASM.40"DECK FOR AIR ASSIST .....	1
2	58308	ROD, DECK HITCH Z-PL .....	1
3	8280	PIN, HAIR .091 DIA X 1.66LG .....	1
4	57925	BOLT, 3/8-16 X 2.00 CARBON .....	1
5	25210	WASHER, FLAT .386 X 1.26 X .09 HT .....	1
6	1348	RETAINER, BELT .....	1
7	310328	PULLEY, IDLER BFF 4.00 WIDE FL .....	1
8	996307	WASHER, FLAT .391 X 1.00 X .20 .....	1
9	120382	WASHER, REGSPTLK .393 X .68 X .10 .....	1
10	120377	NUT, 3/8-16 REGHX .....	1
11	300473	SPRING, TENSION 7.52LG+17LB/IN .....	1
12	319005	BEI T. V 6L 91.00 DECK 40 LF .....	1
13	329257	GUARD, BELT LH PLASTIC .....	1
14	180076	SCREW, 5/16-18 X .63 HMC .....	3
15	120393	WASHER, FLAT .344 X .68 X .085 .....	3
16	1488	NUT, 5/16-18 REGHEX CTRLK .....	3
17	42348	GRIP-LEVER GRASS COLLECTOR .....	1
18	302611	GAUGE WHEEL EURO 8.000DX1.38WD .....	2
19	23763	BOLT, .500 X 1.390 HSSH 3/8-16 .....	2
20	1499	NUT, 3/8-16 REGHX CTRLK .....	2
21	304422	CHUTE DEFLECTOR 40" 42" & 43" .....	1
22	314975	SPRING, TORSION CHUTE DEFLECTOR .....	1
23	304424	ROD, PIVOT DECK .312DX7.25 .....	1
24	3535	NUT, PUSH ON CAP .312 OD .....	1

# TRACTEUR TONDEUSE 40" MODELE E3560-260

## FAISCEAU ELECTRIQUE



UTILISEZ DES PIÈCES D'ORIGINE POUR CONSERVER L'APPLICATION DE LA GARANTIE.

TOUTES LES PIÈCES NON REFERÉES SONT INTERCHANGEABLES AVEC LEURS OPPOSÉES.

325530 C

# TRACTEUR TONDEUSE 40" MODELE E3560-260

KEY#	PART#	DESCRIPTION	QTY
1	320067	HARNES 12-12.5, HT1G14, WRAP, LF	1
2	41482	PRESS CLIP, 1.380LG, 266ID	1
3	309064	ASSY, LIGHT WIRE-1/4 TURN	1
4	52572	BULB, HEADLAMP	1
5	57444	TIE, CABLE BLACK NYLON 5.62L	2
6	41482	PRESS CLIP, 1.380LG, 266ID	2
7	327355	SWITCH, IGN. (AFTER FIRE) 3 POSN	2
8	327352	NUT, 5/8-BACME DELTA FOR BOOT	1
9	300184	BOOT, IGN SWITCH	1
10	327350	KEY, IGNITION GENERIC DELTA	2
11	326553	SWITCH, SNAPMNT NO. 055/116GRY	1
12	326654	SWITCH, SNAP MNT NO. 140 BLUE	2
13	57476	SWITCH, SCR MNT DP NC NO BLK	1
14	57220	SCREW, #12 X .50 PHPNHTAP BLK	2
15	53716	SOLENOID	1
16	167745	SCREW, 1/4-20X .75 HX6EMMA	2
17	1502	NUT, 1/4-20 REGHEXCTRLK	2
18	271172	NUT, 1/4-20 REGHEXKEPS	1
19	138485	WASHER, EXLK 320X.61X.03	2
20	120368	NUT, 5/16-24 REGHEX	2
21	57444	TIE, CABLE BLACK NYLON 5.62L	1
22	55511	WIRE, GROUND, 12.5"	1
23	271184	NUT, 5/16-18 HEXKEPS	1
24	57769	BULB, INDICATOR	3
25	300334	LIGHT SWITCH ON/OFF PANEL MNT	1
26	57547	SWITCH, SEAT	1
27	165505	SCREW, 1/4-20X .38 PHPNHMA	2
28	302257	BATTERY, 12V	1
29	57551	ROD, BATTERY	1
30	57552	ROD, BATTERY, TOP	1
31	325232	NUT, WING 1/4-20 NYLON	1
32	180020	SCREW, 1/4-20X .75 HHC	2
33	271172	NUT, 1/4-20 REGHEXKEPS	2
35	X	BATTERY ACID PACK, 80 QZ	1

\* CAN BE PURCHASED LOCALLY

