

TONDEUSE AUTOPORTEE

MANUEL PIÈCES DE RECHANGE



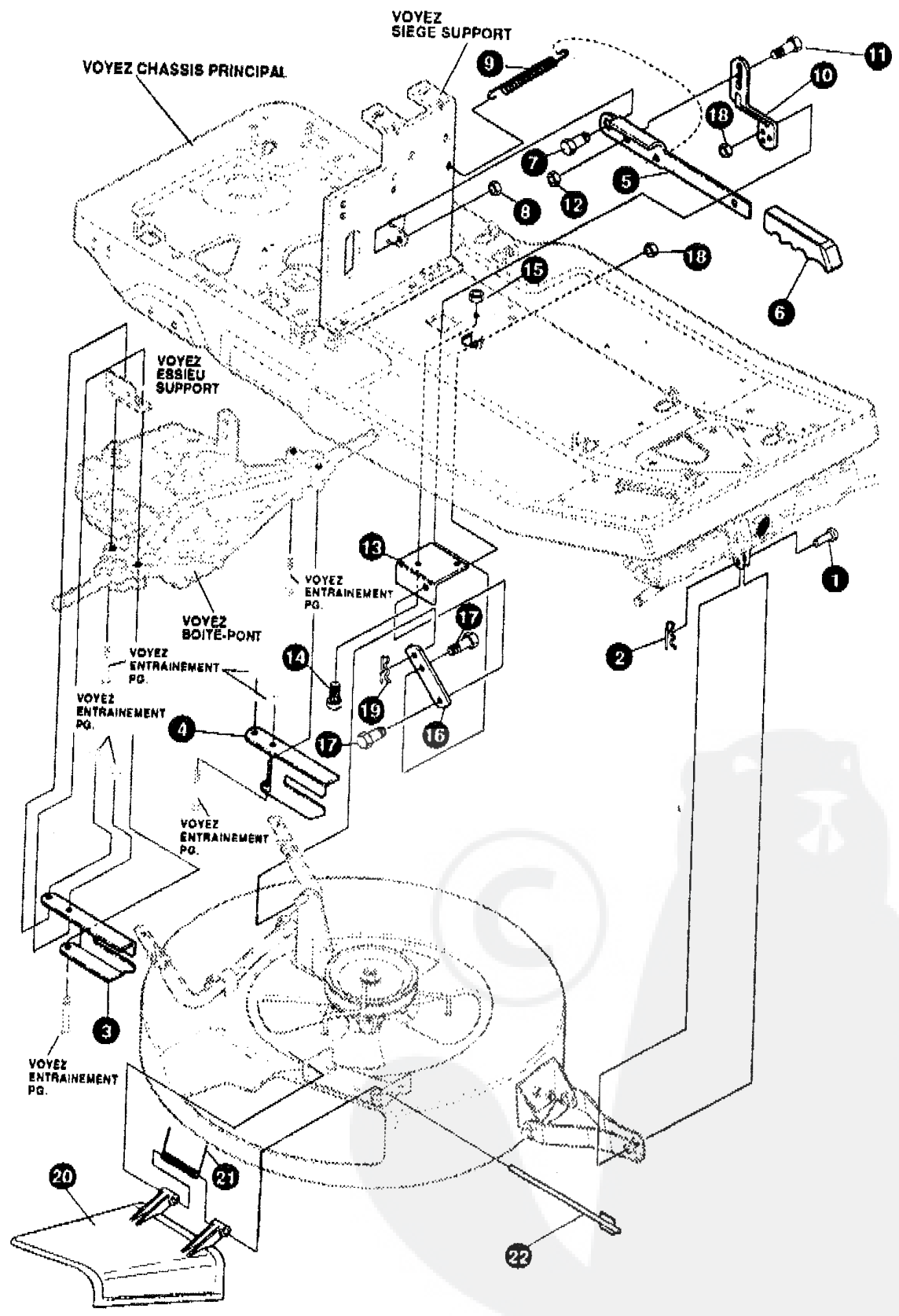
Modèle E3595-040

30" TONDEUSE AUTOPORTEE MODELE E3595-040

KEY#	PART#	DESCRIPTION	QTY
1	314227-860	FRAME	1
2	309612	FOOT PAD, RH	1
3	309613	FOOT PAD, LH	1
4	309235	FASTENER, RATCHET	1
5	302805	CONSOLE	12
6	995346	SCREW, 1/4-20X .50 WAHHTAP	1
7	303130	HEADLIGHT ASSEMBLY	4
8	303260	CLIP, TINNEMAN	1
9	308347	SCREW, #6-32X .50 PHPNHMA	4
10	330969-860	SUPPORT, SEAT W/LFT SLOT	4
11	48901	SCREW, 5/16-18X .63WAHHC	1
12	180077	SCREW, 5/16-18X .75 HHC	2
13	1498	NUT, 5/16-18 REGHEXCTRLK	2
14	301330-853	SEAT BRACKET	4
15	180117	SCREW, 3/8-16X .56 HHC	1
16	1499	NUT, 3/8-16 REGHXCTRLK	2
17	313476-853	SEAT PLATE	2
18	20507	BOLT, .437X .156 HSH 5/16-18	1
19	1498	NUT, 5/16-18 REGHEXCTRL	2
20	331106-853	SEAT/SHIFT SUPPORT FOR M#28	2
21	180079	SCREW, 5/16-18X1.00 HHC	1
22	1498	NUT, 5/16-18 REGHEXCTRLK	2
23	35498	SCREW, 5/16-18X .75 WAHHTAP	2
24	180077	SCREW, 5/16-18X .75 HHC	1
25	45602	WASHER, FLAT .333X .87X.119	2
26	1498	NUT, 5/16-18 REGHEXCTRLK	2
27	319136	SPRING, COMP, .97X2.00X.095	1
28	120392	WASHER, FLAT .281X .63X.065	1
29	180016	SCREW, 1/4-20X .50 HHC	1
30	1502	NUT, 1/4-20 REGHEXCTRLK	1
31	53446	PIN, 5/16-18 HOOD LATCH	2
32	120386	WASHER, FLAT .312X .73X.065	2
33	124824	NUT, 5/16-18 HEXJAM	6
34	331222-860	FENDER	2
35	44811	SCREW, 1/4-20X .75 WAHHTAP	1
36	305645	FENDER SUPPORT	4
37	995346	SCREW, 1/4-20X .50 WAHHTAP	2
38	12599	FASTENER, VELCRO, 2" X 1"	4
	330649	FRENCH OPERATOR'S MANUAL	2
	332748	PARTS MANUAL	1

30" TONDEUSE AUTOPORTEE MODELE E3595-040

SUSPENSION TONDEUSE

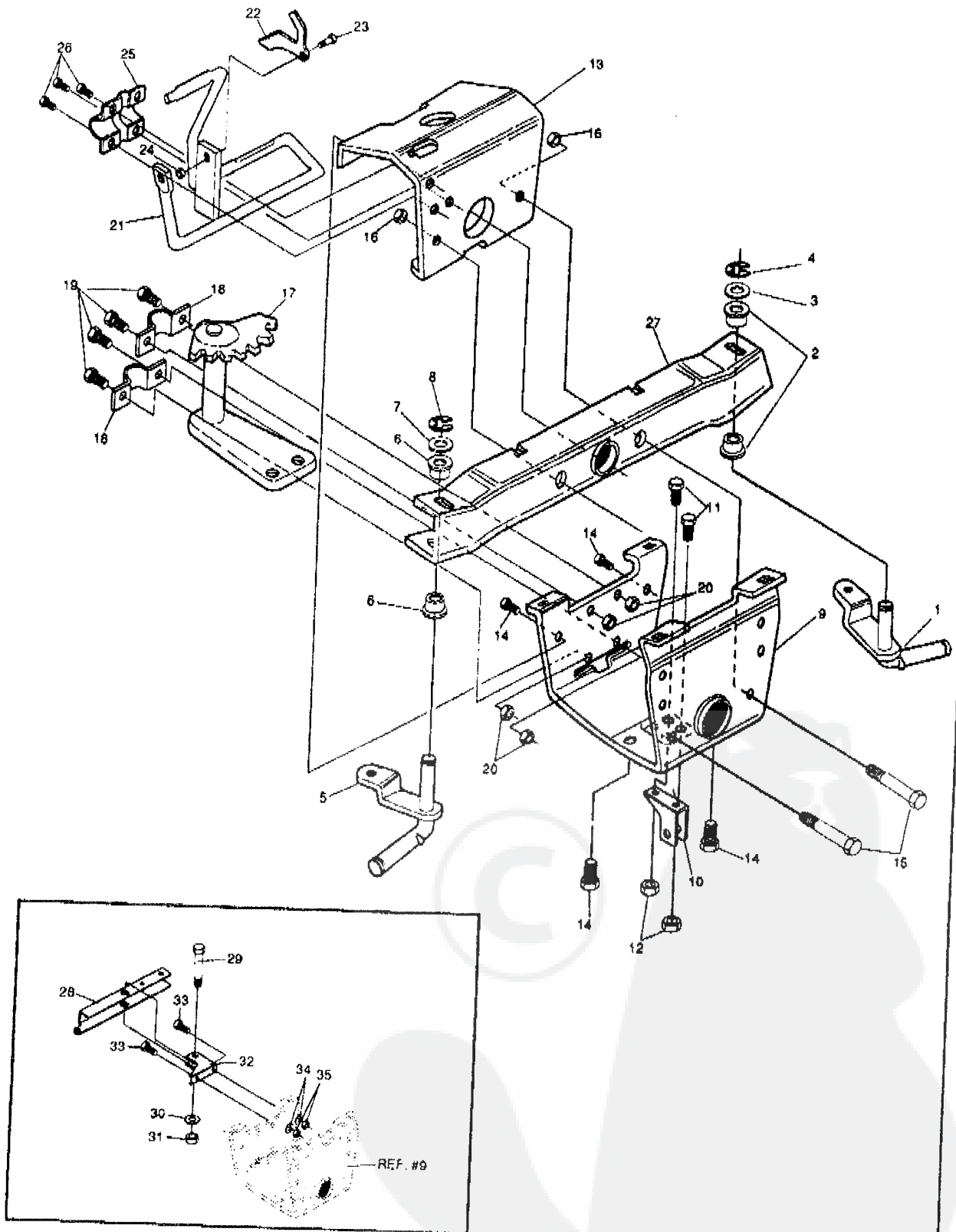


30" TONDEUSE AUTOPORTEE MODELE E3595-040

KEY#	PART#	DESCRIPTION	QTY
1	47817	PIN, .495X1.750 CLEVIS-SHORT	1
2	56180	PIN, HAIR .091 DIA X 1.62LG	1
3	321371	BRACKET, REAR SUPT RH	1
4	321370	BRACKET, REAR SUPT LH	1
5	313719	HANDLE, HEIGHT ADJUST	1
6	313763	GRIP, HANDLE, LIFT	1
7	54855	BOLT, .500X .345 HSSH 3/8-16	1
8	1499	NUT, 3/8-16 REGHXCTRLK	1
9	35410	SPRING .071 X .62 X 4.37	1
10	323897	BRACKET, LINK UPPER BLKPHOS	1
11	54855	BOLT, .500X .345 HSSH 3/8-16	1
12	1499	NUT, 3/8-16 REGHXCTRLK	1
13	323898	BRACKET, FRAME BLKPHOS	1
14	180079	SCREW, 5/16-18X1.00 HHC	1
15	1498	NUT, 5/16-18 REGHEXCTRLK	1
16	323899	BRACKET, LINK LOWER BLKPHOS	1
17	313560	BOLT, .500X .225 HSSH 5/16-18	2
18	1498	NUT, 5/16-18 REGHEXCTRLK	2
19	8260	PIN, HAIR .091 DIA X 1.66LG	1
20	315314	CHUTE DEFLECTOR 30" DECK	1
21	314975	SPRING, TORSION CHUTE DEFLECTOR	1
22	304424	ROD, PIVOT DECK 312DX7.25	1

30" TONDEUSE AUTOPORTEE MODELE E3595-040

CHASSIS AVANT



30" TONDEUSE AUTOPORTEE MODELE E3595-040

KEY#	PART#	DESCRIPTION	QTY
1	316216	ASSY. SPINDLE L.H.	1
2	12552	BUSHING, SPINDLE	2
3	4107	WASHER, FLAT .635X1.31X.07 PL	2
4	20859	RING, RET E .48X.04TRU5133-62	1
5	316217	ASSY SPINDLE R.H. 30,36 RER	1
6	12552	BUSHING, SPINDLE	2
7	4107	WASHER, FLAT .635X1.31X.07 PL	2
8	20859	RING, RET E .48X.04TRU5133-62	1
9	314226-853	BRACKET, AXLE, OUTER, FRONT	1
10	323904	HANGER	1
11	180077	SCREW, 5/16-18X .75 HHC	2
12	1498	NUT, 5/16-18 REGHEXCTRLK	2
13	302799	AXLE BRACKET, INNER	1
14	35497	SCREW, 5/16-18X .50 WAHTAP	4
15	180138	SCREW, 3/8-16X3.00 HHC	2
16	1499	NUT, 3/8-16 REGHXCTRLK	2
17	302958-853	STEERING ASSY RER	1
18	302760	CLAMP .625DIA	2
19	180077	SCREW, 5/16-18X .75 HHC	4
20	1498	NUT, 5/16-18 REGHEXCTRLK	4
21	303249-853	BRAKE ARM ASSY	1
22	302955-853	LATCH, PARKING BRAKE	1
23	3275	BOLT, .373X .140 HHSH 1/4-20	1
24	1502	NUT, 1/4-20 REGHEXCTRLK	1
25	44112	BRACKET, CLUTCH & BRAKE	1
26	35497	SCREW, 5/16-18X .50 WAHTAP	4
27	323904	HANGER	1
28	309051	ROCKER ARM, MOWER ENGAGEMENT	1
29	310364	BOLT, .500X1.18 HHSH 3/8-16	1
30	845	WASHER, FLAT .390X1.25X.119	1
31	1499	NUT, 3/8-16 REGHXCTRLK	1
33	180077	SCREW, 5/16-18X .75 HHC	2
34	120393	WASHER, FLAT .344X .69X.065	2
35	1498	NUT, 5/16-18 REGHEXCTRLK	2

30" TONDEUSE AUTOPORTEEE MODELE E3595-040

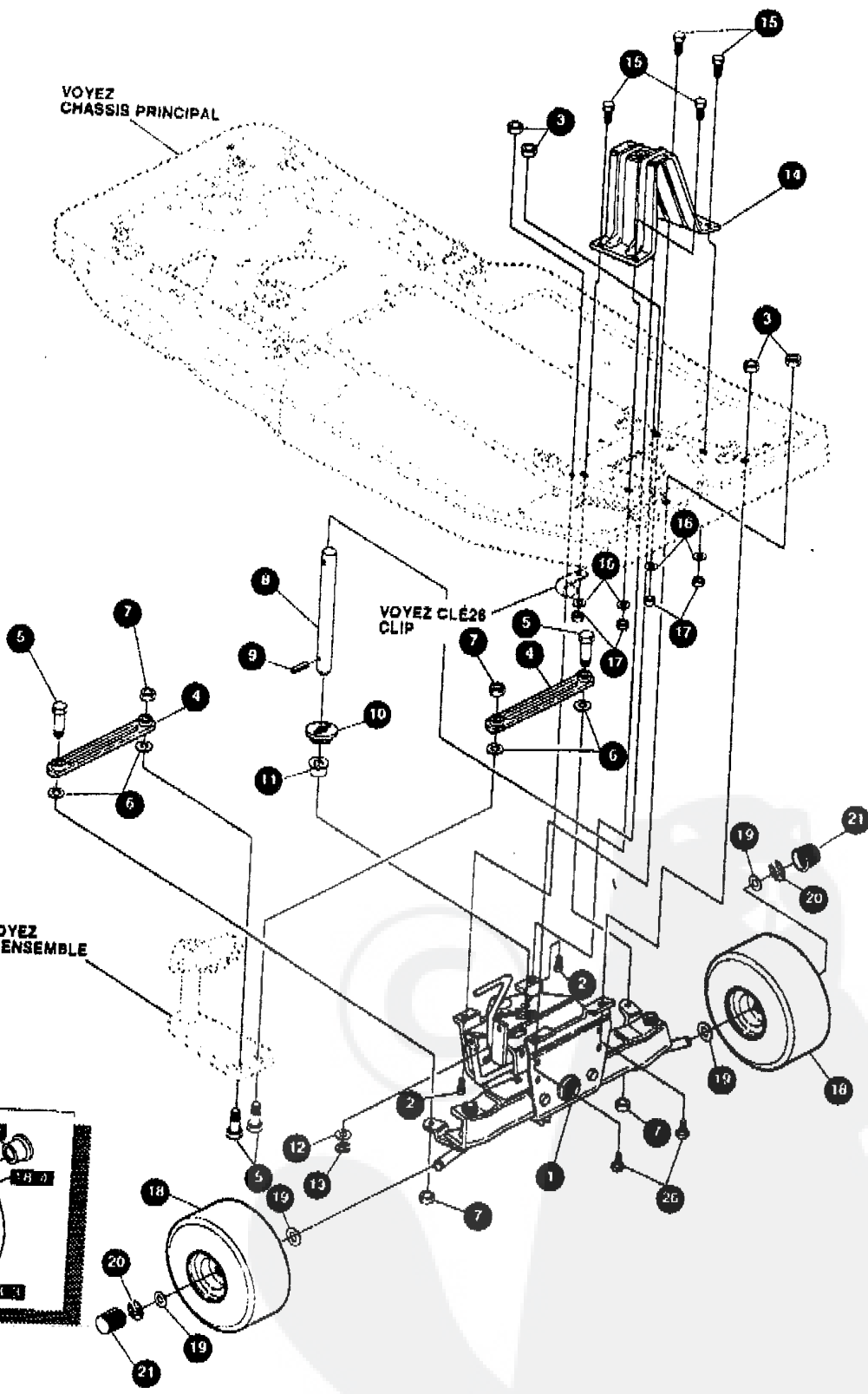
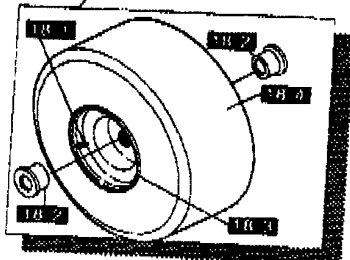
MONTAGE ROUES

VOYEZ CHASSIS PRINCIPAL

VOYEZ CLÉ#28
CLIP

VOYEZ VOLANT ENSEMBLE

VOYEZ CLÉ #18



30" TONDEUSE AUTOPORTEE MODELE E3595-040

KEY#	PART#	DESCRIPTION	QTY
1	.	ASSY., FRONT AXLE PIVOTING	1
2	57072	BOLT, 5/16-18X .63 CARRLN	2
3	45174	NUT, 5/16-18 HEXWDFLLK WHIZ	4
4	303140	TIE ROD, RER	2
5	180124	SCREW, 3/8-16X1.25 HHC	4
6	120382	WASHER, REGSPTLK.393X.69X.10	4
7	1499	NUT, 3/8-16 REGHXCTRLK	4
8	323906	SHAFT, STEERING	1
9	454565	PIN, SPRING.250DIAX1.25LG HVPL	1
10	302766	GEAR, PINION	1
11	304010	BUSHING-STEERING	1
12	4107	WASHER, FLAT .635X1.31X.07 PL	1
13	20859	RING, RET E .48X.04TRU5133-62	1
14	306553	SUPT, STR SHAFT	1
15	48901	SCREW, 5/16-18X .63WAHHC	4
16	120393	WASHER, FLAT .344X .69X.065	4
17	1498	NUT, 5/16-18 REGHEXCTRLK	4
18	305508	TIRE & RIM, PU 11X4.0X5	2
18-1	24167	VALVE STEM	2
18-2	301137	BEARING, WHEEL	2
18-3	301176	RIM	2
18-4	319679	TIRE 11X4.0X5	2
19	40677	WASHER, FLAT .640X1.25X.06	4
20	20859	RING, RET E .48X.04TRU5133-62	2
21	36832	HUB CAP	2
26	180077	SCREW, 5/16-18X .75 HHC	2

* ORDER INDIVIDUAL PARTS.

30" TONDEUSE AUTOPORTEE MODELE E3595-040

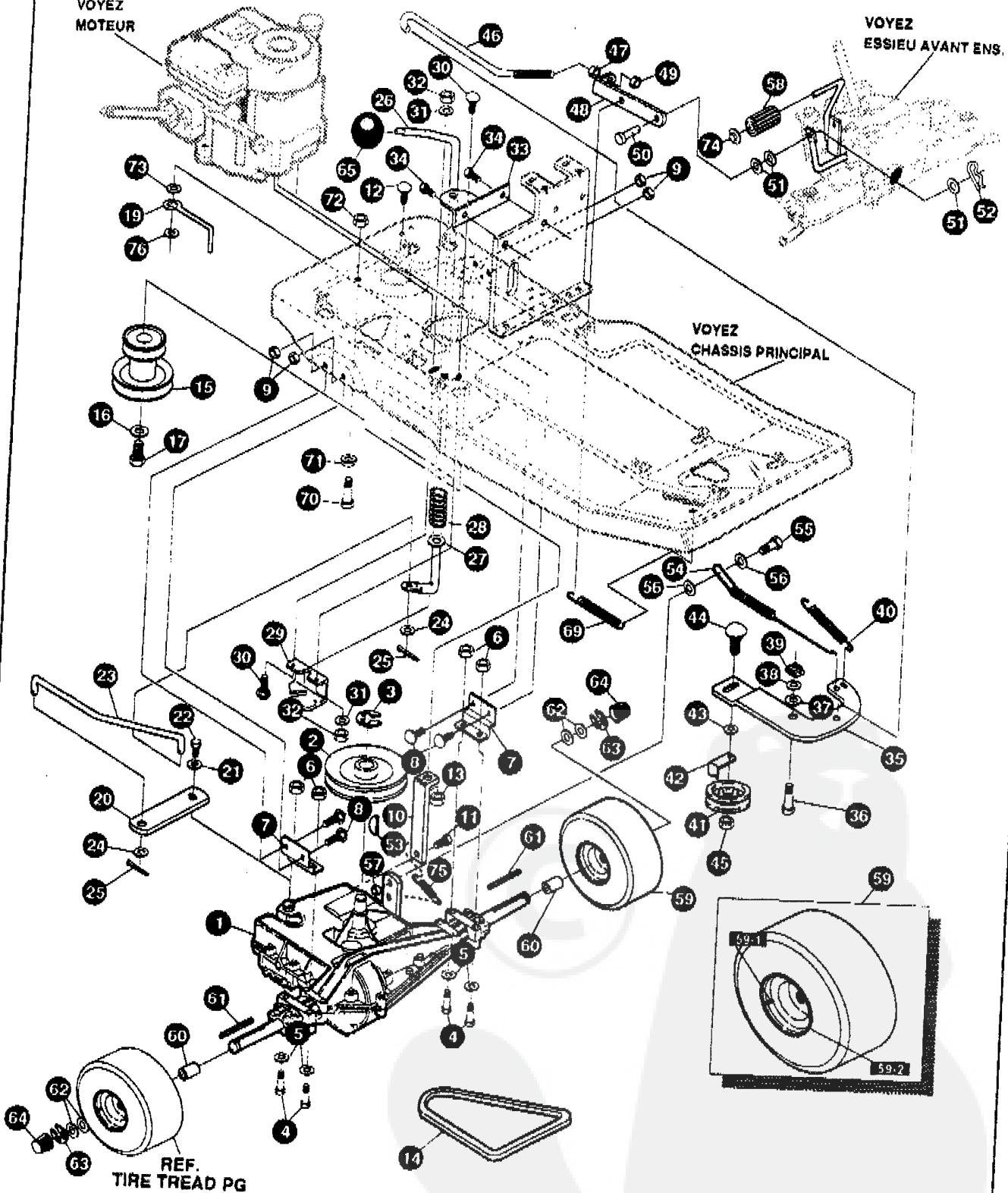
ENTRAINEMENT

VOYEZ
MOTEUR

VOYEZ
ESSIEU AVANT ENS.

VOYEZ
CHASSIS PRINCIPAL

REF.
TIRE TREAD PG



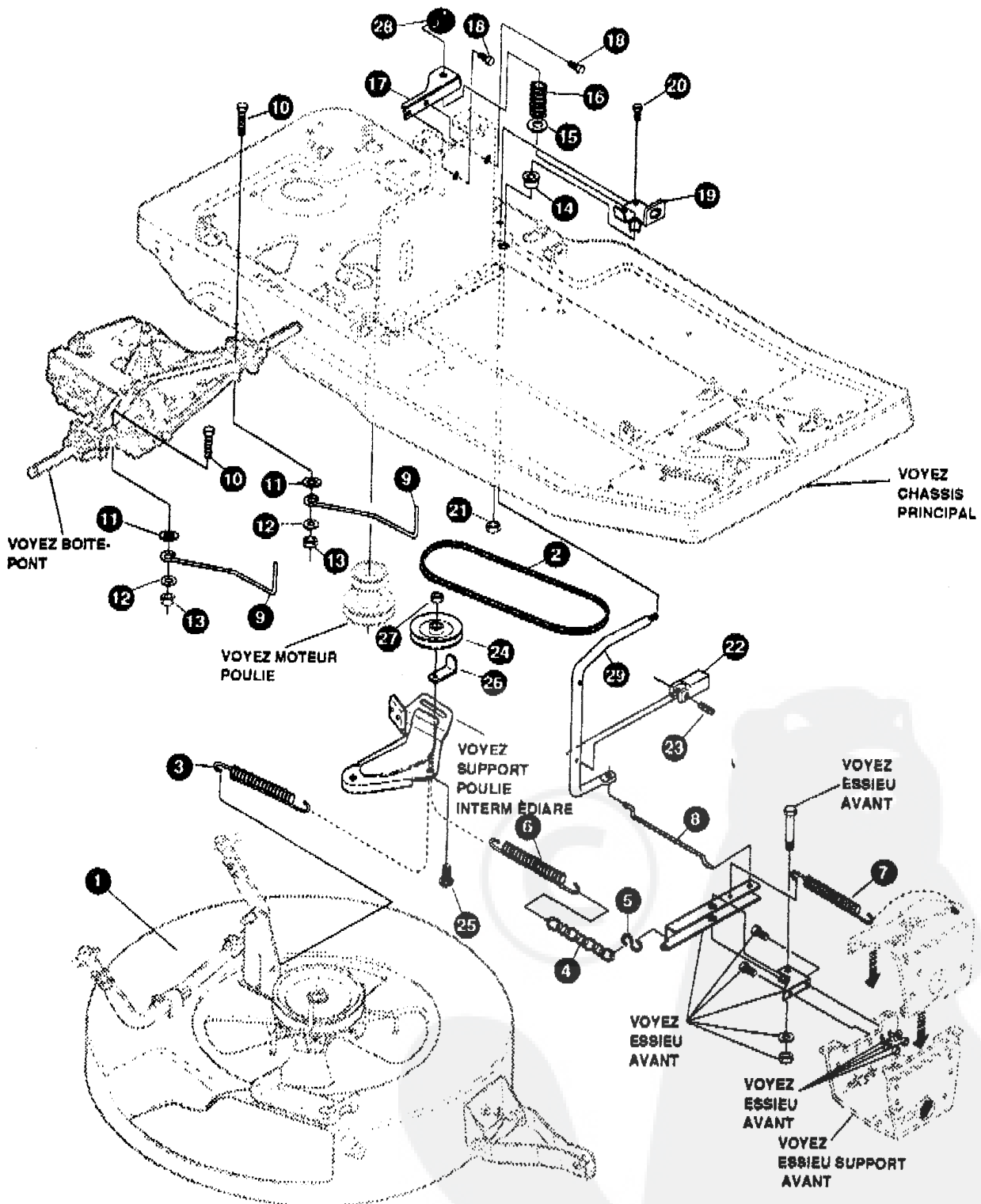
30" TONDEUSE AUTOPORTEE MODELE E3595-040

KEY#	PART#	DESCRIPTION	QTY
1		TRANSAXLE, 5 SP, FOOTE RER	1
2	303109	PULLEY, 6.6 OD V4L T/A	1
3	22053	RING, RETEX .58X.035TRU5100-62	1
4	180113	SCREW, 5/16-18X3.00 HHC	4
5	120393	WASHER, FLAT .344X.69X.065	4
6	1498	NUT, 5/16-18 REGHEXCTRLK	4
7	9796	BRACKET, TRANSAXLE	2
8	57072	BOLT, 5/16-18X .63 CARR	4
9	1498	NUT, 5/16-18 REGHEXCTRLK	4
10	321376	BRACKET, TRANSAXLE SUPT	1
11	35498	SCREW, 5/16-18X .75 WAHTAP	1
12	57072	BOLT, 5/16-18X .63 CARR	1
13	1498	NUT, 5/16-18 REGHEXCTRLK	1
14	300575	BELT, V 4L 34.00	1
15	328040	PULLEY, ENGINE 3.315OF/5.5D/3.00D	1
16	120383	WASHER, REGSPTLK.459X.78X.12	1
17	182761	SCREW, 7/16-20X2.50 HHC	1
18	55488	BELT GUIDE	1
19	323874	SHIFT LEVER BRKT BLK	1
20	57157	WASHER, 750X.250 SP-TRANSAXLE	1
21	56255	SCREW, 1/4-28X .75 NYLHHC	1
22	323873	SHIFT ROD	1
23	120394	WASHER, FLAT .406X .81X.065	2
24	137185	PIN, COTTER .125 DIAX1.00LG	2
25	309255	HANDLE, SHIFT	1
26	120396	WASHER, FLAT .531X1.06X.095	1
27	301133	SPRING, SHIFT LEVER	1
28	309053	BRACKET, DETENT SHIFT	1
29	126216	BOLT, 5/16-18X .75 CARR	2
30	120393	WASHER, FLAT .344X .69X.065	2
31	1498	NUT, 5/16-18 REGHEXCTRLK	2
32	303098	BRACKET, SHIFT CONTROL	1
33	995346	SCREW, 1/4-20X .50 WAHTAP	2
34	12593	PIVOT ARM, IDLER	1
35	329989	BOLT, .625X .135 HSH 5/16-18	1
36	4107	WASHER, FLAT .635X1.31X.07	1
37	45802	WASHER, FLAT .333X .87X.119	1
38	301124	TINNERMAN CLIP	1
39	35410	SPRING .071 X .62 X 4.37	1
40	35374	PULLEY, IDLER V4L 3.06X .62	1
41	39659	RETAINER, BELT	1
42	274517	WASHER, FLAT .406X .73X.063	1
43	45892	BOLT, 3/8-16X1.50 CARR	1
44	1499	NUT, 3/8-18 REGHXCTRLK	1
45	323532	ROD, CLUTCH	1
46	271184	NUT, 5/16-18 HEXKEPS	1
47	321376	BRKT, CLUTCH BRAKE	1
48	1498	NUT, 5/16-18 REGHEXCTRLK	1
49	39522	PIN, CLEVIS .312 X .812	1
50	120393	WASHER, FLAT .344X .69X.065	3
51	8260	PIN, HAIR .091 DIAX1.66LG	1
52	309251	SPRING, BRAKE	1
53	25086	BOLT, .500X .375 HSH 5/16-18	1
54	308188	WASHER, FLAT .515X1.31X.09	2
55	1498	NUT, 5/16-18 REGHEXCTRLK	1
56	52840	FOOT PEDAL	1
57	41082	TIRE & RIM, PU 16X6.5X8 TUR668	2
58	24167	VALVE STEM	2
59-1	36182	HUB, WHEEL	2
59-2	319862	TIRE, 16X6.5X8	2
59-3	310333	SPACER, SLEV .75 X1.25X2.06	2
60	52928	KEY, SQUARE .187SQX2.25LG	2
61	42815	WASHER, FLAT .755X1.53X.07	4
62	36626	RING, RETEX .57X.05TRU5133-75	2
63	40394	HUB CAP, 1.500ID X 7/8LG	2
64	55514	KNOB, ROUND 1.50 DIA	1
65	313854	SPRING, IDLER TRACTION DRIVE	1
66	122077	SCREW, 5/16-18X2.50 HHC	1
67	271184	NUT, 5/16-18 HEXKEPS	1
68	1498	NUT, 5/16-18 REGHEXCTRLK	1
69	138489	WASHER, EXLK .384X.69X.04	1
70	44582	CAP, PUSH-ON FITS 7/16 ROD	1
71	310155	SPRING, BRAKE RETURN	1
72	120394	WASHER, FLAT .406X .81X.065	1

CONTACT YOUR NEAREST TRANSAXLE DEALER FOR PARTS AND SERVICE.

30" TONDEUSE AUTOPORTEE MODELE E3595-040

SUSPENSION TONDEUSE



331442A

30" TONDEUSE AUTOPORTEE MODELE E3595-040

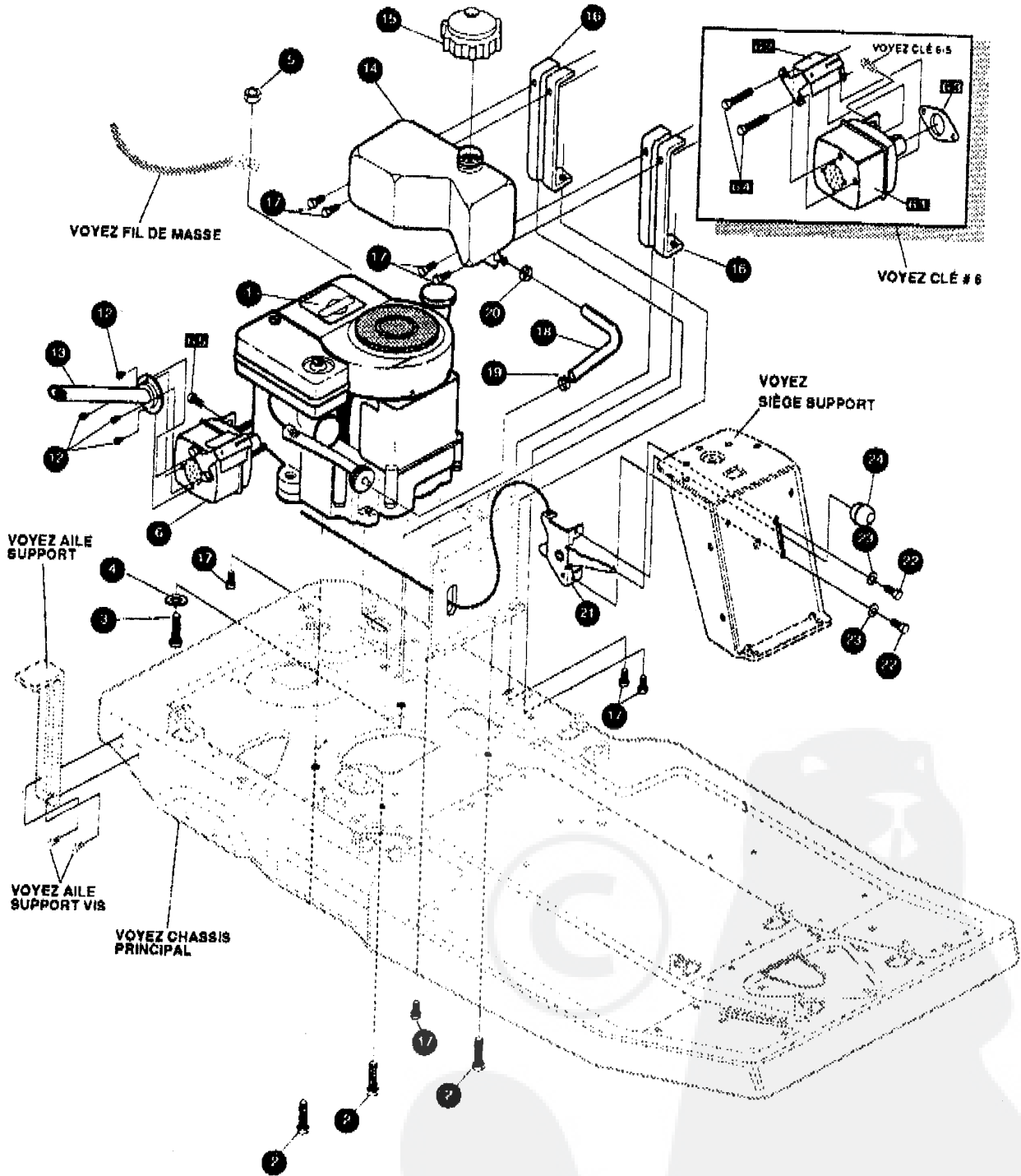
KEY#	PART#	DESCRIPTION	QTY
1	*	MOWER DECK ASSY PRE-PAINT 30"	1
2	56537	BELT, V 4L 50.5LG	1
3	35410	SPRING .071 X .62 X 4.37	1
4	310428	CHAIN, JACK	1
5	310734	HOOK, S, 10 GA. STEEL	1
6	300683	SPRING, .75X6.3X.105 TENSION	1
7	35410	SPRING .071 X .62 X 4.37	1
8	309049	ROD, CONNECTING	1
9	310388	GUIDE, BELT	2
10	180091	SCREW, 5/16-18X2.50 HHC	2
11	198485	WASHER, EXLK .320X.61X.09	2
12	120393	WASHER, FLAT .344X .69X.065	2
13	1498	NUT, 5/16-18 REGHEXCTRLK	2
14	310351	BRNG, FL . IDX . ODXPLAS	1
15	304291	SPRING, RETAINING	1
16	304398	SPRING COMPRESSION	1
17	311107-853	SUPPORT BRACKET PTO	1
18	995346	SCREW, 1/4-20X .50 WAHHTAP	2
19	310309	BRACKET, PTO LIMIT	1
20	35498	SCREW, 5/16-18X .75 WAHHTAP	1
21	1498	NUT, 5/16-18 REGHEXCTRLK	1
22	305225	STOP, PTO ENGAGE	1
23	326386	PIN, SPRING. 187DIA X1.13LG HD	1
24	45074	PULLEY, IDLER V4L 3.06X .72	1
25	45892	BOLT, 3/8-16X1.50 CARRSN	1
26	39659	RETAINER, BELT	1
27	1499	NUT, 3/8-16 REGHXCTRLK	1
28	55514	KNOB, ROUND 1.50 DIA	1
29	309048	HANDLE, MOWER ENGAGEMENT	1

* ORDER INDIVIDUAL PARTS.

* ORDER DECK KIT # 328711 FOR COMPLETE DECK ASSEMBLY.

30" TONDEUSE AUTOPORTEE MODELE E3595-040

ENSEMBLE MOTEUR

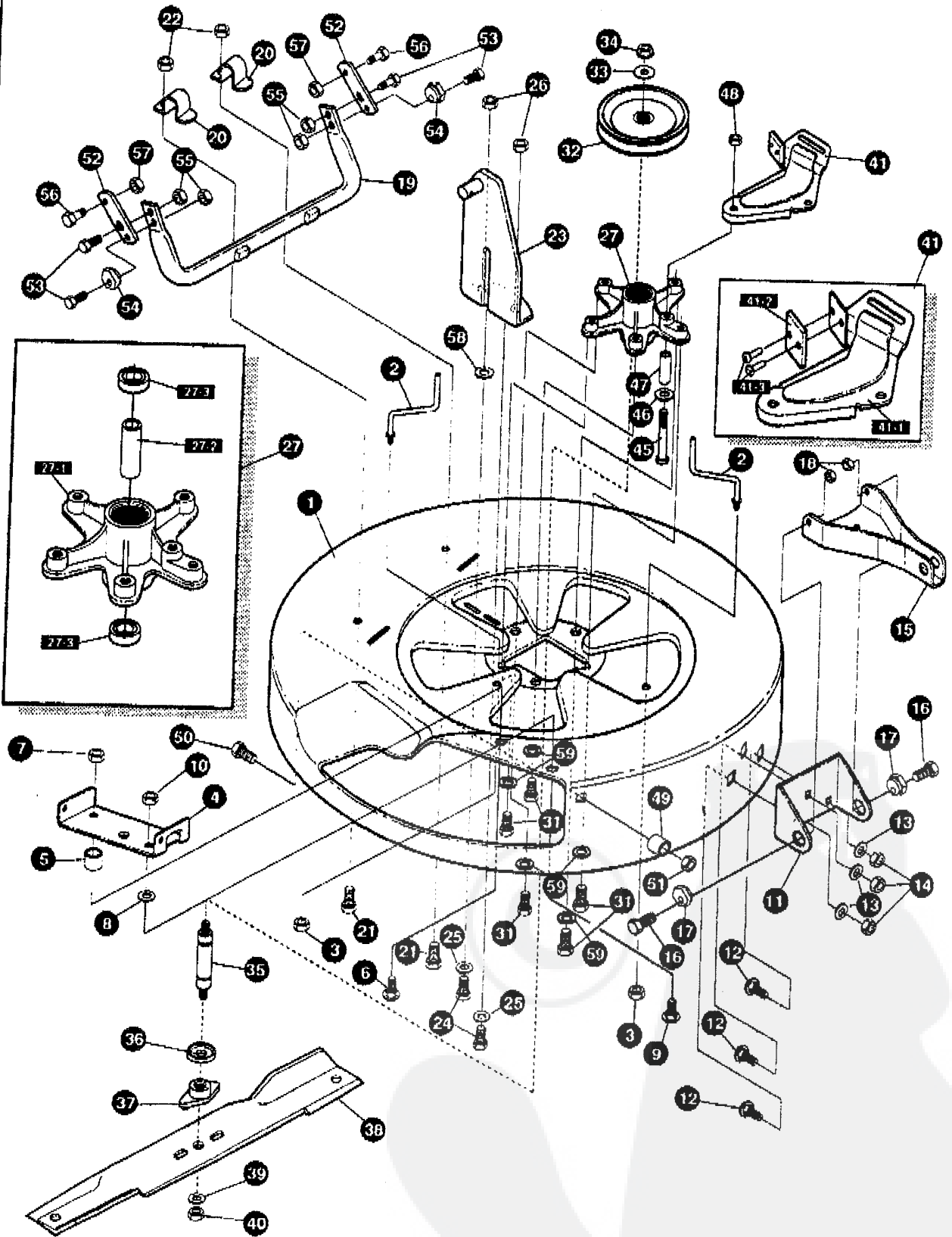


30" TONDEUSE AUTOPORTEE MODELE E3595-040

KEY#	PART#	DESCRIPTION	QTY
1	ENGINE	10-12HP B&S	1
2	50947	SCREW, 9/8-16X1.25 WAHHTAPBLKP	3
3	180083	SCREW, 5/16-18X1.50 HHC	1
4	138485	WASHER, EXLK .320X.61X.03	1
5	44108	NUT, 5/16-18 HWDFLCTRLK	1
6	305404	MUFFLER ASSY B&S SQ. LO-TONE	1
6-1	305406	MUFFLER B&S SQ. LO-TONE 10-12HP	1
6-2	305409	SHIELD, MUFFLER B&S SQ. LO-TONE	1
6-3	46708	GASKET, MUFFLER	1
6-4	305407	BOLT, .437X4.340 HSSH5/16-18BL	2
6-5	305410	SCREW, 1/4-20X .50 HHCSEMS	1
12	57366	SCREW, 10-16X .50 DRILLTITE	4
13	311721	PIPE ASSY, 10 B&S EXHAUST	1
14	314986	TANK, GAS-NOMA, 1.3 GAL	1
15	12501	CAP, FUEL 2.6" THROAT	1
16	313150	SUPPORT, GAS TANK	2
17	995346	SCREW, 1/4-20X .50 WAHHTAP	8
18	47216	TUBING, .25X.50X BULK GAS LINE	22 IN.
19	47345	CLAMP, FUEL LINE RED	1
20	47345	CLAMP HOSE SCREW TYPE	1
21	321240	THROTTLE CONTROL	1
22	35287	SCREW, #8-32X .38 HHWATAP	2
23	414106	WASHER, FLAT .188X .38X.040	2
24	50607	KNOB, T THROTTLE CONTROL SHAPE	1

30" TONDEUSE AUTOPORTEE MODELE E3595-040

CARTER TONDEUSE



313589E

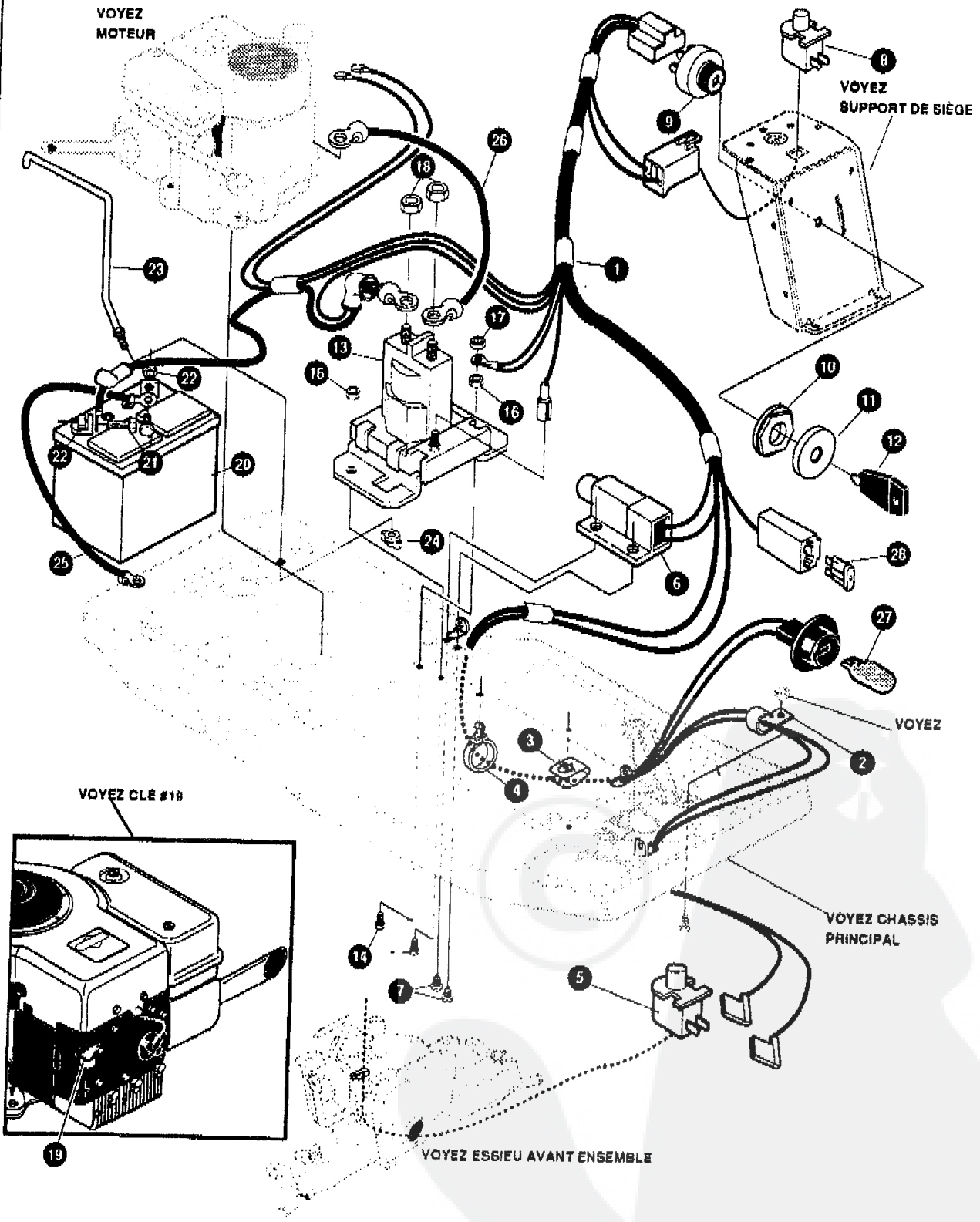
30" TONDEUSE AUTOPORTEE MODELE E3595-040

KEY#	PART#	DESCRIPTION	QTY
1	*	ASSY., DECK, PRE-PAINT 30"	1
1-1	321982-853	DECK, MOWER 30" S.F./RER	1
2	57918	GUIDE, BELT 5/16-18 THD	2
3	1499	NUT, 5/16-18 REGHEXCTRLK	2
4	317017	BRACKET CHUTE MOUNT	1
5	314702	SPACER, SLEV .344X1.00X .500PM	1
6	120230	BOLT, 5/16-18X1.25 CARRLN	1
7	1498	NUT, 5/16-18 REGHEXCTRLK	1
8	45602	WASHER, FLAT .333X .87X.119	1
9	126216	BOLT, 5/16-18X .75 CARRLN	1
10	1498	NUT, 5/16-18 REGHEXCTRLK	1
11	311237-853	BRACKET, MOUNTING, FRONT	1
12	57072	BOLT, 5/16-18X .63 CARRLN	3
13	12	0393 WASHER, FLAT .344X .69X.065	3
14	1498	NUT, 5/16-18 REGHEXCTRLK	3
15	311236-853	BRACKET, BAR, TOW, FRONT	1
16	180079	SCREW, 5/16-18X1.00 HHC	2
17	58247	NUT, ADJUST	2
18	1498	NUT, 5/16-18 REGHEXCTRLK	2
19	313372-853	ASSY., TUBE, PIVOT	1
20	310672	SUPPORT, PIVOT TUBE	2
21	180077	SCREW, 5/16-18X .75 HHC	2
22	1498	NUT, 5/16-18 REGHEXCTRLK	2
23	314119-853	ASSY LIFT BRKT.	1
24	180077	SCREW, 5/16-18X .75 HHC	2
25	120393	WASHER, FLAT .344X .69X.065	2
26	1498	NUT, 5/16-18 REGHEXCTRLK	2
27	313588	ASSEMBLY, QUILL	1
27-1	314272	QUILL, MACHINED CASTING	1
27-2	314274	TUBE, SPACER, STEEL	1
27-3	313576	BRNG, BALL 6204-2AA-C3	2
31	50634	SCREW, 5/16-18X .88 WAHHTAP	5
32	314273	PULLEY ASSSEMBLY	1
33	22265	WASHER, FLAT .515X1.38X.119PL	1
34	1500	NUT, 1/2-13 REGHCTRLK	1
35	314271	SHAFT, QUILL 30" MOWER	1
36	313577	SHIELD, DUST, BEARING	1
37	313584	HUB, BLADE ADAPTOR	1
38	329988	BLADE, 30" TO MOWER 0.7 WING	1
39	22265	WASHER, FLAT .515X1.38X.119PL	1
40	1500	NUT, 1/2-13 REGHCTRLK	1
41	12229-853	BRACKET, IDLER ASSEMBLY	1
41-1	313510-853	BRACKET, ARM, IDLER	1
41-2	306973	BRAKE PAD - HARD - 232AF	1
41-3	41601	RIVET, OVSET .187DIA X .50LG ST	2
45	180091	SCREW, 5/16-18X2.50 HHC	1
46	45602	WASHER, FLAT .333X .87X.119	1
47	314824	SPACER, SLEV .322X .63X1.810	1
48	44108	NUT, 5/16-18 HWDFLCTRLK	1
49	50520	SPACER	1
50	126216	BOLT, 5/16-18X .75 CARRLN	1
51	1498	NUT, 5/16-18 REGHEXCTRLK	1
52	314099-853	BRACKET, BAR, REAR STABILIZER	2
53	180079	SCREW, 5/16-18X1.00 HHC	4
54	58247	NUT, ADJUST	2
55	1498	NUT, 5/16-18 REGHEXCTRLK	4
56	51940	BOLT, 500X .437 HSSH 3/8-16	2
57	1499	NUT, 3/8-16 REGHCTRLK	2
58	45602	WASHER, FLAT .333X .87X.119	1
59	138485	WASHER, EXLK .320X.61X.03	5

* ORDER INDIVIDUAL PARTS.

30" TONDEUSE AUTOPORTEE MODELE E3595-040

ELECTRIQUE

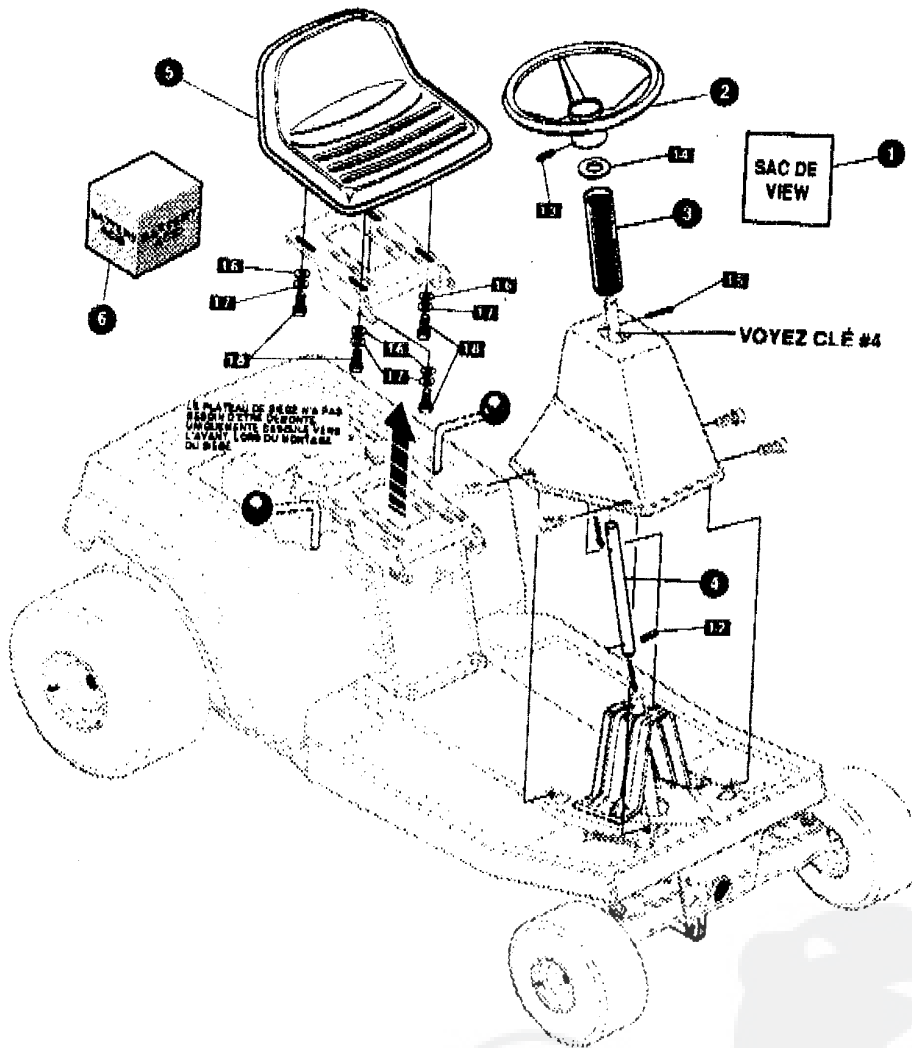


30" TONDEUSE AUTOPORTEE MODELE E3595-040

KEY#	PART#	DESCRIPTION	QTY
1	328287	HARNASS, STANDARD	1
2	57569	RETAINER, .31IDX.62X.03 WIRE	1
3	309098	CLIP, TRW #C4490-022-27	1
4	309698	CLIP, WIRE ROUTING, SNAP-IN	1
5	326653	SWITCH,SNAPMNT NO .055/116	1
6	57476	SWITCH,SCR MNT DP NC NO	1
7	57220	SCREW, #12 X .50 PHPNHTAP	2
8	326654	SWITCH, SNAP MNT NC .140 BLUE	1
9	327354	SWITCH,IGNITION & LIGHTS DELTA	1
10	327352	NUT, 5/8-8 ACME DELTA FOR BOOT	1
11	300194	BOOT, IGNITION SWITCH	1
12	327350	KEY,IGNITION SWITCH MLD DELTA	1
13	53716	SOLENOID	1
14	187745	SCREW, 1/4-20X .75 HXSEMMA	2
16	1502	NUT, 1/4-20 REGHEXCTRLK	2
17	271172	NUT, 1/4-20 REGHEXKEPS	1
18	271187	NUT, 5/16-24 HEXKEPS	2
19	57569	RETAINER, .31IDX.62X.03 WIRE	1
20	302257	BATTERY, 12V 5-PLATE	1
21	120854	SCREW, 1/4-20X .63 HHC	2
22	271172	NUT, 1/4-20 REGHEXKEPS	2
23	327784	SUPPORT BATTERY HOLD DOWN	1
24	325232	NUT, WING 1/4-20 NYLON	1
25	55511	WIRE, GROUND, 12.5"	1
26	322698	WIRE, STARTER, RED, 8.5	1
27	52572	BULB, HEADLAMP	1
28	302031	FUSE SPADE TYPE 32V 15A	1

30" TONDEUSE AUTOPORTEE MODELE E3595-040

MONTAGE ENSEMBLE



KEY#	PART#	DESCRIPTION	QTY
1	316334	PARTS BAG	1
1-2	417375	PIN, SPRING .187DIAX1.25LG MD	1
1-3	456836	PIN, SPRING 250DIAX2.25LG HVPL	1
1-4	301702	WASHER, FLAT .90 X1.56X.089PL	1
1-5	120123	PIN, COTTER .125 DIAX1.25LG	1
1-6	120393	WASHER, FLAT .344X .69X.085	4
1-7	120638	WASHER, HVSP TLK .328X 60X.09 Z	4
1-8	122007	SCREW, 5/16-18X .75 HHC	4
2	301465	STEERING WHEEL DEEP DISH	1
3	305605	TUBE-DCRTIVE, 6.00" LG	1
4	300797	STEERING TUBE	1
5	331492	SEAT, MICH	1
6		BATTERY ACID PACK, 80 OZ	1

* MAY BE PURCHASED AT YOUR LOCAL HARDWARE STORE.