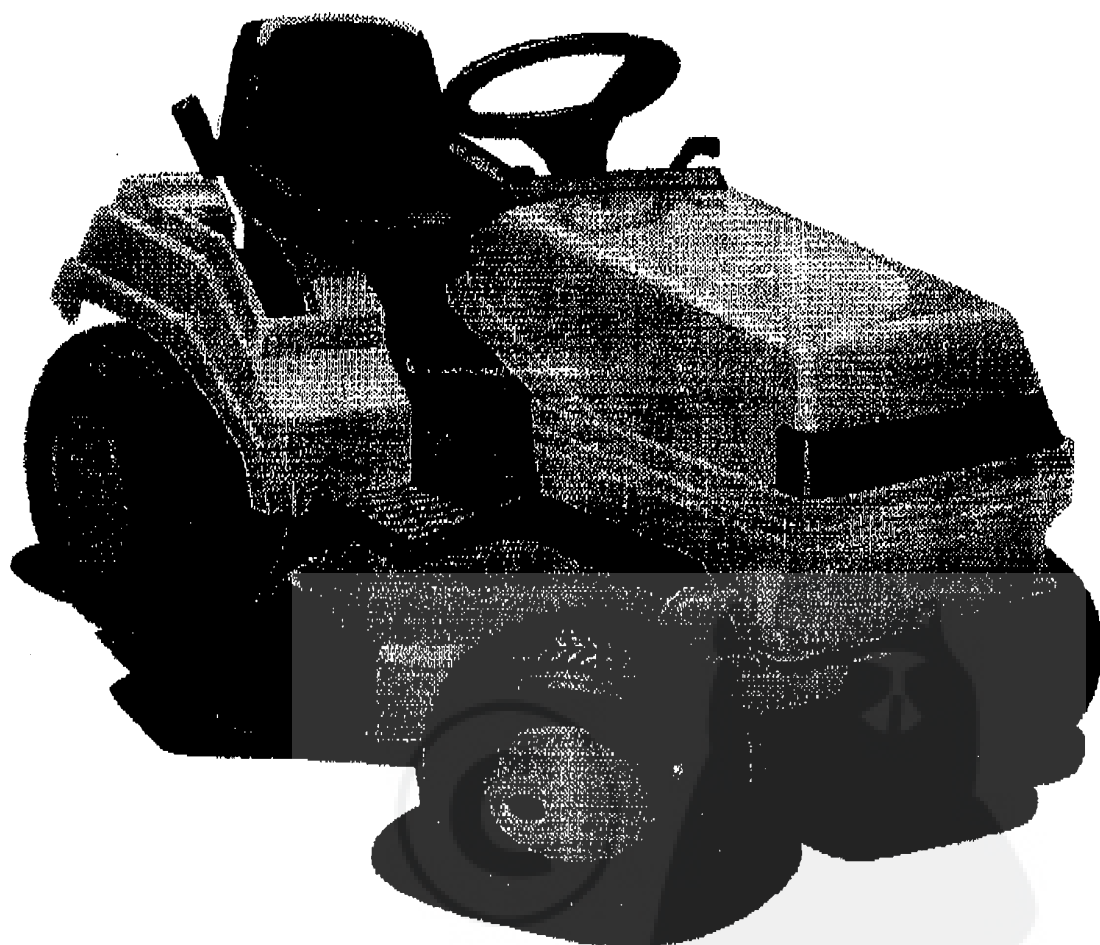
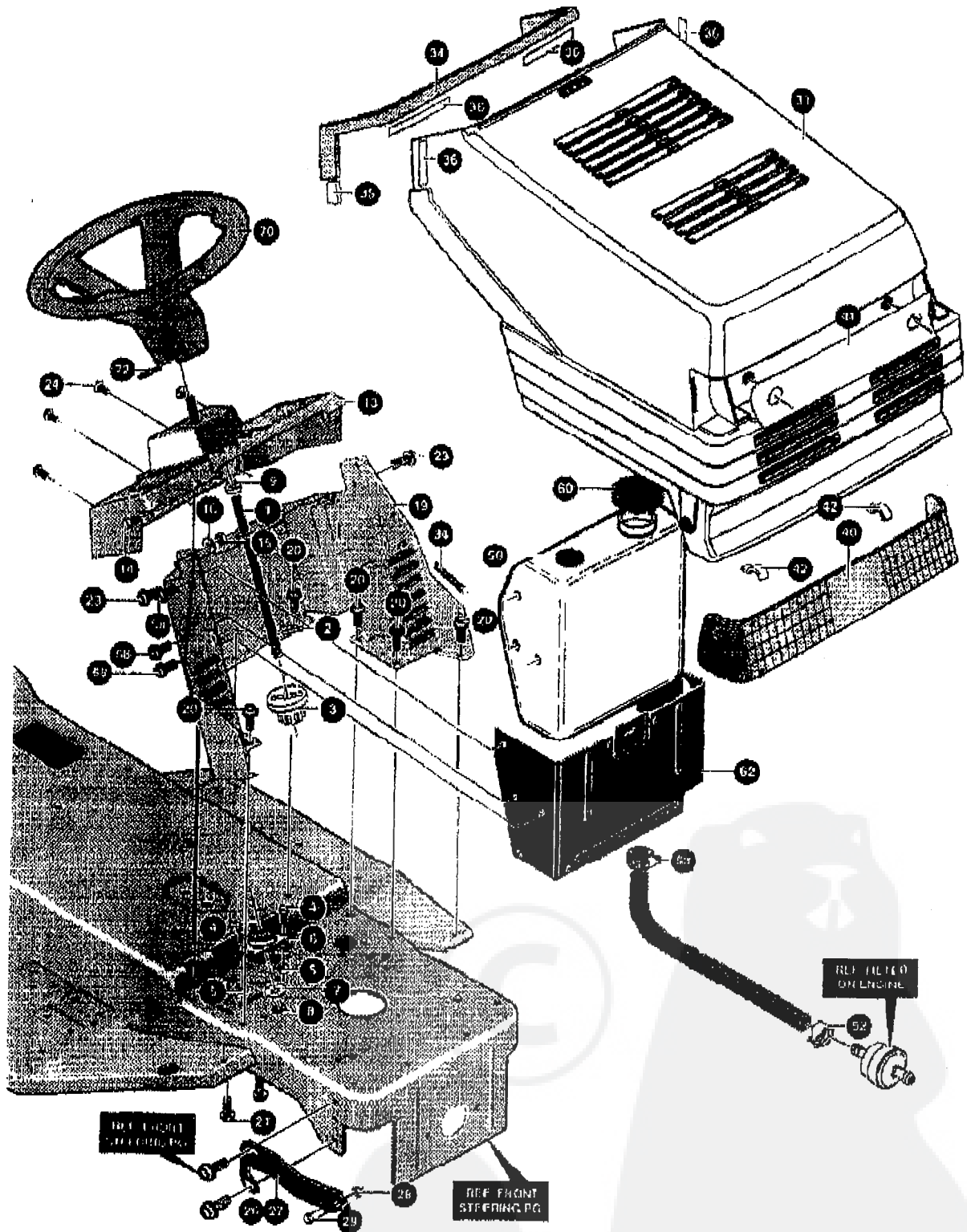


TONDEUSE AUTOPORTEE
MANUEL PIÈCES DE RECHANGE



Modèle E4620-000

TRACTEUR TONDEUSE 46" MODELE E4620-000



UTILISEZ DES PIÈCES D'ORIGINE POUR CONSERVER L'APPLICATION DE LA GARANTIE.

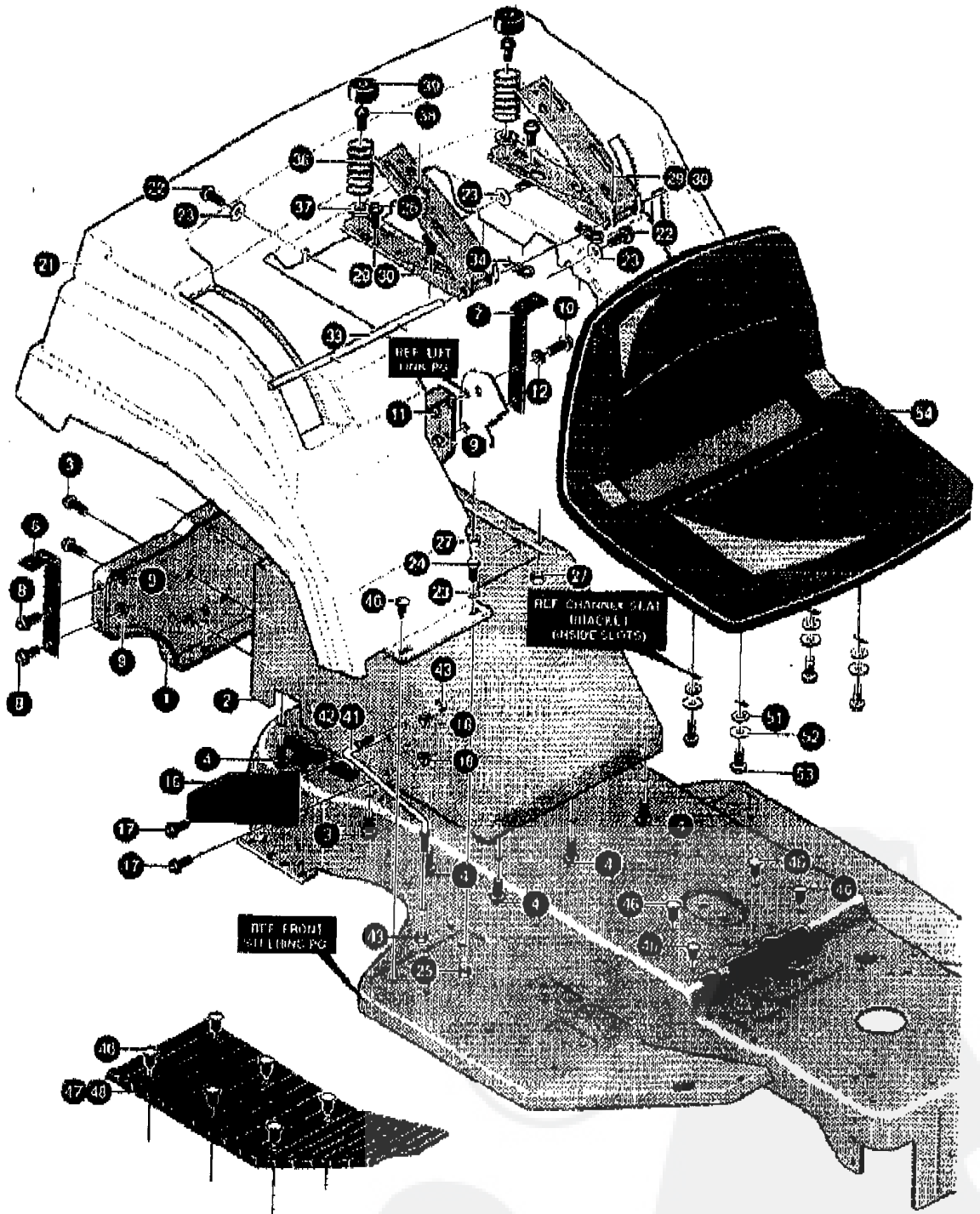
TOUTES LES PIÈCES NON REFEREES SONT INTERCHANGEABLES AVEC LEURS OPPOSEES.

331885 A

TRACTEUR TONDEUSE 46" MODELE E4620-000

KEY#	PART#	DESCRIPTION	QTY
1	302528	SHAFT,STEERING EURO GT LONG	1
2	302524	PIN DOWEL STR ERO LT	1
3	302314	PINION,STEERING	1
4	323731	SCREW, 5/16-24X.75 (TQ 30-35 FT#)	2
5	71100	NUT, 5/16-24 HEXWDFLLK	2
6	302498	BRNG, SFAL .500IDX . ODX .75	1
7	2968	WASHER, FLAT .504X .75X.058	1
8	20864	RING, REY E .39X.04TRU5133-80	1
9	303228	BUSHING STR SHFT UPPER	1
13	331384	DASH,SHORT H17 MC/EC NOAMP 630	1
14	190020	SCREW, 1/4-20X .75 HHC	2
15	1502	NUT, 1/4-20 REGHEXCTRLK	2
16	120392	WASHER, FLAT .281X .63X.065	2
19	302920-830	DASH LOWER TALL LT EURO GT	1
20	35497	SCREW, 5/16-18X .50 WAHHTAP	8
21	45263	SCREW, 5/16-18X .37 WAHHTAP	2
23	995346	SCREW, 1/4-20X .50 WAHHTAP	2
24	306860	SCREW, 1/4-20X.50PHPNTAP	4
26	310578-853	BRACKET, HOOD GT RH	1
27	310579-853	BRACKET, HOOD GT LH	1
28	1498	NUT, 5/16-18 REGHEXCTRLK	2
29	25086	BOLT, .600X .376 HSSH 5/16-18	2
33	332460	HOOD,EURO H-17 GT MOLD GREY861	1
34	12676	TRIM PIECE PLASTIC GREY861	1
35	306822	CLIP,U-TYPE TINN C27687-014-4	2
36	12699	FASTENER, VELCRO, 2" X 1"	4
40	304708	LENS HEADLIGHT ERO GT SMOKE	1
41	308200	DECAL, REFLECTOR EURO LT	1
42	41482	PRESS CLIP,1.380LG 256ID	2
50	315263	ASSY GAS TANK 1.5GAL (OPTION)	1
52	47345	CLAMP,HOSE SCREW TYPE	2
53	47345	CLAMP,HOSE SCREW TYPE	1
58	180073	SCREW, 5/16-18X .50 HHC	6
60	12501	CAP,FUEL 2.5" THROAT	1
62	324795-853	HEAT SHIELD ERO 1.5 & 3 GAL	1
70	302036	STEERING WHEEL	1
72	456378	PIN, SPRING 250DIAx2.00LG HVPL	1
73	333817	PARTS MANUAL	1
74	332385	OPERATOR'S MANUAL	1

TRACTEUR TONDEUSE 46" MODELE E4620-000



UTILISEZ DES PIÈCES D'ORIGINE POUR CONSERVER L'APPLICATION DE LA GARANTIE.

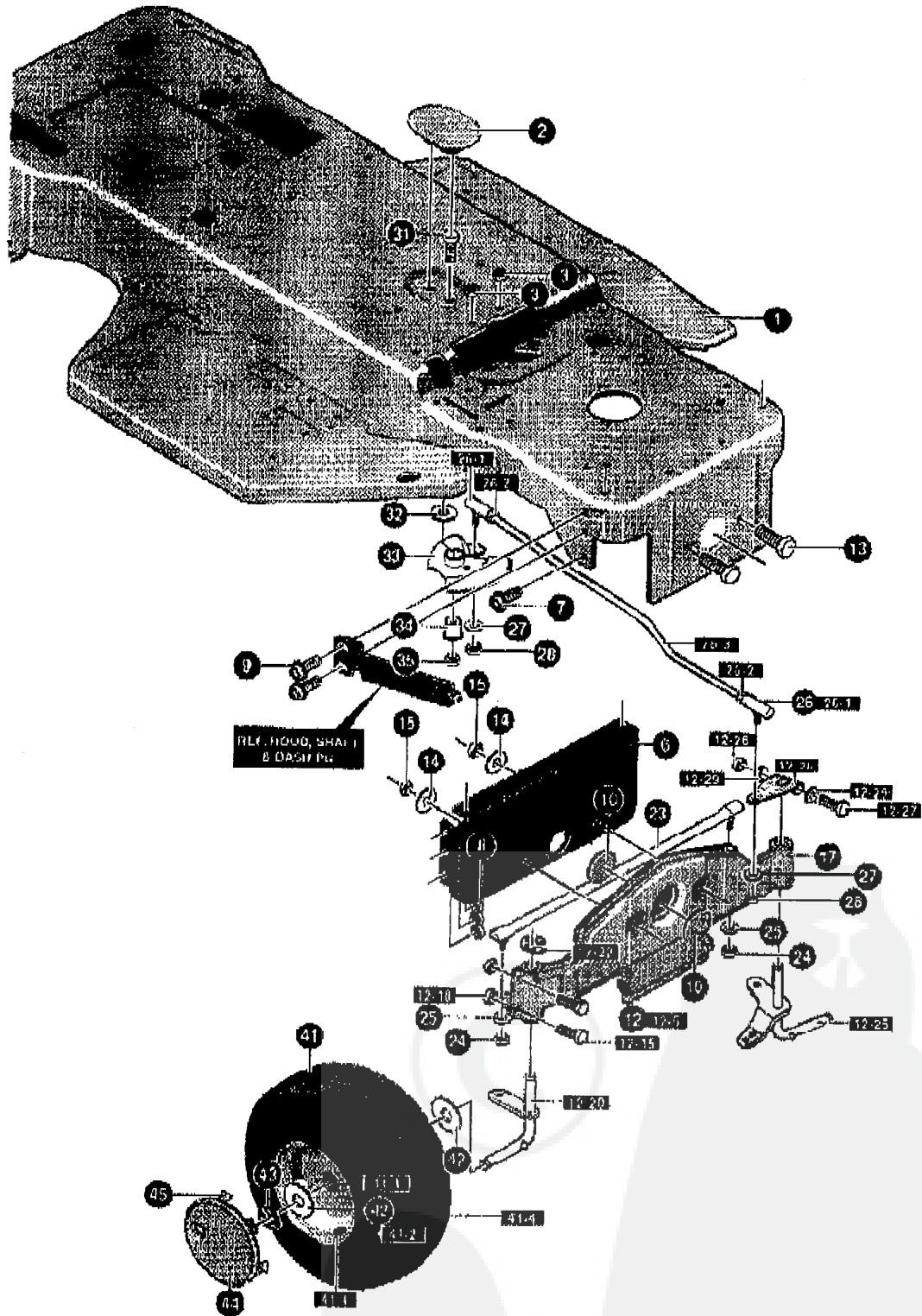
TOUTES LES PIÈCES NON REFERÉES SONT INTERCHANGEABLES AVEC LEURS OPPOSÉES.

325970 G

TRACTEUR TONDEUSE 46" MODELE E4620-000

KEY#	PART#	DESCRIPTION	QTY
1	322068-830	SEAT SUPPORT ELECTRIC LIFT	1
2	322069-830	SUPT.FENDER&SEAT ELECT/LIFT	1
3	35498	SCREW, 5/16-18X .75 WAHHTAP	5
4	35497	SCREW, 5/16-18X .50 WAHHTAP	10
6	306389	SUPT FEND RIGHT BLACK 173	1
7	306387	SUPT FEND LEFT BLACK 173	1
8	56030	SCREW, 5/16-18X.75WDFLLK	3
9	55273	NUT, 5/16-18 HXWDFLLK	3
10	180020	SCREW, 1/4-20X .75 HHC	1
11	51935	NUT, 1/4-20 WDFLWHIZ-LK	1
12	120385	WASHER, FLAT .250X.56X.049	1
16	306381-830	SUPPORT,SHIFT PLATE	1
17	58030	SCREW, 5/16-18X.75WDFLLK	2
18	55273	NUT, 5/16-18 HXWDFLLK	2
21	332452	FENDER,EURO F-10 GT MOLD GREY	1
22	44811	SCREW, 1/4-20X .75 WAHHTAP	6
23	1084	WASHER, FLAT .281X1.00X.063PL	8
24	180020	SCREW, 1/4-20X .75 HHC	2
25	1502	NUT, 1/4-20 REGHEXCTRLK	2
26	56030	SCREW, 5/16-18X.75WDFLLK	4
27	1488	NUT, 5/16-18 REGHEXCTRLK	4
29	302897-830	CHANNEL SEAT RH	2
30	305424-830	CHANNEL SEAT LH	2
33	304481	ROD, SEAT SUPPORT	1
34	36368	PIN, HAIR .072 DIA X 1.13LG	2
36	305520	SPRING, SEAT 1.500DX2.25LG BK	2
37	120393	WASHER, FLAT .344X .89X.065	2
38	35498	SCREW, 5/16-18X .75 WAHHTAP	2
39	56907	COVER,SEAT SPRING 1.51DX1.0LG	2
41	319388	SUPPORT,FOOTREST STIFNR RH	1
42	319387	SUPPORT,FOOTREST STIFNR LH	1
43	1488	NUT, 5/16-18 REGHEXCTRLK	4
46	309235	FASTENER, HATCHET BLACK	18
47	314888	FOOT PAD, ASSYRH ERO W/ADH 861	1
48	314889	FOOT PAD, ASSYLH ERO W/ADH 861	1
51	120393	WASHER, FLAT .344X .89X.065	4
52	120638	WASHER, HVSPTLK .328X.60X.08	4
53	180077	SCREW, 5/16-18X .75 HHC	4
54	310384	SEAT,MICHIGAN GEN, W/SW HOLE	1

TRACTEUR TONDEUSE 46" MODELE E4620-000



UTILISEZ DES PIÈCES D'ORIGINE POUR CONSERVER L'APPLICATION DE LA GARANTIE.

TOUTES LES PIÈCES NON REFERÉES SONT INTERCHANGEABLES AVEC LEURS OPPOSÉS.

331881 A

TRACTEUR TONDEUSE 46" MODELE E4620-000

KEY#	PART#	DESCRIPTION	QTY
1	331674-830	FRAME, EURO	1
2	305280	COVER, SECTOR BOLT PLAS GREY	1
3	55273	NUT, 5/16-18 HXWDFLLK	2
6	302921-853	BRACKET, FRONT AXLE SUPPORT	1
7	56030	SCREW, 5/16-18X.75WDFLLK	2
8	55273	NUT, 5/16-18 HXWDFLLK	6
9	53852	SCREW, 5/16-18X.75 HXWDFL	4
10	307112	PLUG, FRONT AXLE 1.938DIA X .062"	2
12	4	SUB ASSY FR AXLE ERO GT LONG	1
12-5	310670	AXLE ASSY FRONT WELD BLK	1
12-10	180077	SCREW, 5/16-18X.75 HHC	4
12-15	1499	NUT, 5/16-18 REGHEXCTRLK	4
12-20	305342	ASSY, SPINDLE RH	1
12-22	38625	RING, RETEX .57X.05TRUS133-75	1
12-25	305341	ASSY SPINDLE LH	1
12-26	317010	ARM STEERING UPPER BLACK	1
12-27	180134	SCREW, 3/8-16X2.50 HHC	1
12-28	1499	NUT, 3/8-16 REGHXCTRLK	1
12-29	998416	WASHER, FLAT .391X1.00X.125	2
13	180138	SCREW, 3/8-16X3.00 HHC	2
14	2483	WASHER, .391DX1.25DX.07 BELLVIL	2
15	1499	NUT, 3/8-16 REGHXCTRLK	2
17	706	ZERK, GREASE FITTING	4
23	300328	TIE ROD .625DIA GRND ENGAGER	1
24	120368	NUT, 3/8-24 REGHEX	2
25	120382	WASHER, REGSPTLK.393X.68X.10	2
26	302926	LINK, ASSY .625DIA DRAG GT 2WS	1
27	120382	WASHER, REGSPTLK.393X.68X.10	2
28	124925	NUT, 3/8-24 REGHEXJAM	2
31	180177	SCREW, 1/2-13X1.50 HHC	1
32	22265	WASHER, FLAT .515X1.38X.118PL	1
33	302301	GEAR, STEERING SECTOR	1
34	302879	BUSHING SECTOR GEAR EURO 2WS	1
35	1500	NUT, 1/2-13 REGHCTRLK	1
41	305361	TIRE & RIM, PU 16X6.5X8 TUR861	2
41-1	24167	VALVE STEM	
41-2	921508	RIM, WHEEL	
41-3	314416	BEARING, FL	
41-4	319682	TIRE, 16X6.5X8	
42	542	WASHER, FLAT .755X1.31X.075	4
43	38625	RING, RETEX .57X.05TRUS133-75	2
44	304441	HUB CAP, 8" EURO GREY	2
45	306689	CLIP, HUBCAP TINN #G25467-017-4	8

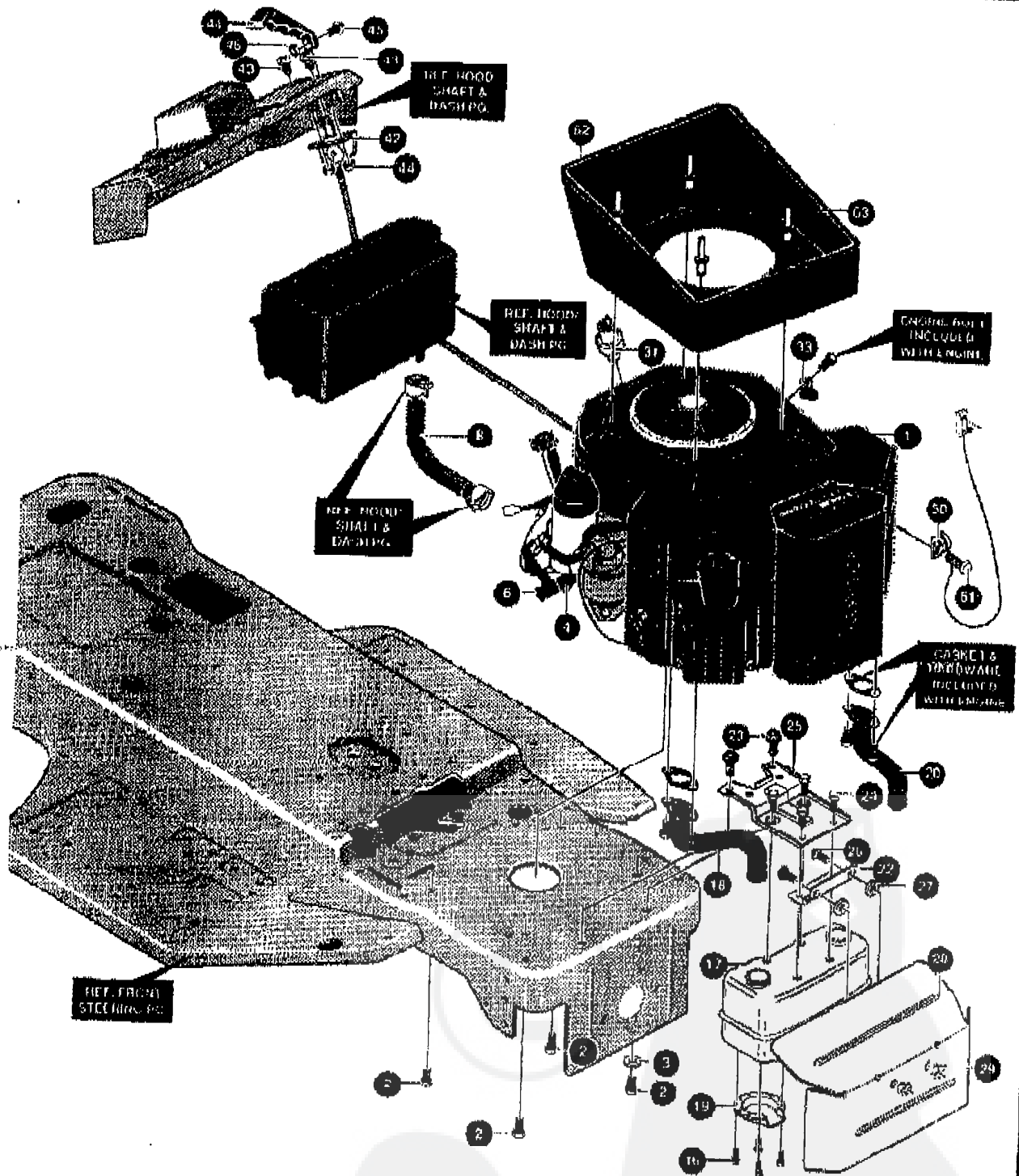
* ORDER INDIVIDUAL PARTS

TRACTEUR TONDEUSE 46" MODELE E4620-000

KEY#	PART#	DESCRIPTION	QTY
1	321421	TURF ASSY, SHIFT BLACK 170	1
3	30253B	CLIP, SHIFT LEVER	2
4	35497	SCREW, 5/16-18X .50 WAHTAP	4
8	302582	LEVER, TRANS SHIFT	1
9	56255	SCREW, 1/4-20X .75 NYA HHC	1
10	57157	WASHER, 7/8X 2.50 SP TRANSAXLE	1
13	309540	LINK, TIE ROD SHIFT 7.8120/L	1
14	180124	SCREW, 3/8-16X 1.25 HHC	1
15	120394	WASHER, FLAT .405X .81X .065	2
16	1498	NUT, 3/8-16 REGHXCTRLK	2
19	304049	ARM, IDLER	2
20	51189	BOLT, .500X 1.280 HSSH 3/8-16	1
21	1498	NUT, 3/8-16 REGHXCTRLK	1
23	304208	SPRING, CLUTCH	1
26	304130	SPRING, BRAKE 1.00X 1.2X 1.20	1
27	2508E	BOLT, .500X .375 HSSH 5/16-18	1
28	1498	NUT, 5/16-18 REGHXCTRLK	1
29	308188	WASHER, FLAT .515X 1.31X .06	1
32	40223	PULLEY, IDLER OFF	1
33	304105	BOLT RETAINER	1
34	57325	BOLT, 3/8-16X 2.00 CARRSN	1
35	45171	NUT, 3/8-16 HWDFI, WHIZ-LOCK	1
36	309242	BELT, V 4L 36.00 LG	1
38	304083	ROD, SHIFT-ON-THE-GO	1
39	120394	WASHER, FLAT .405X .81X .065	1
40	36368	PIN, HAIR 072 DIA X 1.10 LG	1
41	71046	NUT, 3/8-16 HEXXNY	1
44	304025-853	TURF ASSY, SHIFT PIVOT	1
45	304088	BOLT, .375X .400 1/4-20X .47 HSSH	1
46	1502	NUT, 1/4-20 REGHXCTRLK	1
48	305382-830	QUADRANT, SHIFT 1830-85P	1
49	300302	SCREW, #10 X .50 HHTAPPST BLK	1
50	180920	SCREW, 1/4-20X .75 HHC	4
51	51335	NUT, 1/4-20 WDFLWHIZ-LK	4
52	304728	HANDLE, 3/8-16 MOLDED GREY 801	1
53	120377	NUT, 3/8-16 REGIX	1
56	302319-853	WEIRD ASSY CL/BR ARM	1
57	302335	PAD, CLUTCH/BRAKE MOLD W/ DLK	1
58	312271	BRACKET, CL/BR ARM	1
59	35497	SCREW, 5/16-18X .50 WAHTAP	2
63	304212	ROD, CLUTCH	1
64	120392	WASHER, FLAT .281X .69X .065	1
65	121223	PIN, COTTER .062 DIA X .75 LG	1
66	304125	BRACKET, BRAKE MOD	1
67	271134	NUT, 5/16-18 HEXXEPS	1
68	1498	NUT, 5/16-18 REGHXCTRLK	1
71	304200	LEVER, PARK BRAKE	1
72	1498	NUT, 5/16-18 REGHXCTRLK	1
73	2508E	BOLT, .500X .375 HSSH 5/16-18	1
74	30289	WASHER, WAVE .50 ID	1
75	305501	SPRING CL/BR PEDAL RETURN	1
78	304717	ROD, PARKING BRAKE	1
79	304307	KNOB, PARK BRAKE BLK 853	1
80	120366	WASHER, FLAT .250X .56X .049	2
81	121223	PIN, COTTER .062 DIA X .75 LG	1
84	310162	GUIDE, BELT 820 TRANSAXLE	1
85	1498	NUT, 5/16-18 REGHXCTRLK	2
89	1	TRANSAXLE P820-6SP 2WB EURO	1
90	180735	SCREW, 5/16-18X 1.25 HHC	4
91	120393	WASHER, FLAT .345X .69X .065	4
92	1498	NUT, 5/16-18 REGHXCTRLK	4
93	30779P	SPACER, TRANSAXLE 820 2.50" OFF	2
95	304754	PULLEY, 4L 8.0 O.D.	1
96	22053	RING, RETEX .58X .035 TRU 5100-82	1
97	50795	KEY, H8-PRO 806 .75 DIA X .187 WD	1
104	312491	BRKT, ASSY LH BLK	1
105	312492	BRKT, ASSY RH BLK	1
106	35498	SCREW, 5/16-18X .75 WAHTAP	4
107	180077	SCREW, 5/16-18X .75 HHC	4
108	1498	NUT, 5/16-18 REGHXCTRLK	3
111	305510	SPACER REAR AXLE	4
113	305542	KEY, SQUARE .250 SQ X 2.12 LG	1
114	302656	RING, RETEX .62X .05 TRU 6133-98	1
115	49831	WASHER, FLAT 1.00X 1.50X .04	1
116	51579	WASHER, FLAT 1.010X 1.50X .09 PL	1
118	305943	TIRE & RIM, PU 20X 8.5X 12 TUR 830	1
118-1	24187	VALVE STEM	1
118-2	304184	RIM, WHEEL	1
118-3	319690	TIRE, 20X 8.5X 12	1
118	306669	HUB CAP, ERD 12" GREY	2
120	308889	CHIP, HUBCAP TINN #020407-017-4	10
150	310140	GUIDE, BELT 820 TRANSAXLE	1
151	138538	WASHER, REGINTLK 320X .81X .03	1
152	35792	SCREW, 5/16-18X 1.50 WAHTAP	1
153	310139	GUIDE, BELT 820 TRANSAXLE	1
159	2483	WASHER, 3910X 1.26X .07 BELLVIL	1
160	996307	WASHER, FLAT .301X 1.00X .209	1

* CONTACT YOUR NEAREST TRANSAXLE DEALER FOR PARTS AND SERVICE

TRACTEUR TONDEUSE 46" MODELE E4620-000



UTILISEZ DES PIÈCES D'ORIGINE POUR CONSERVER L'APPLICATION DE LA GARANTIE.

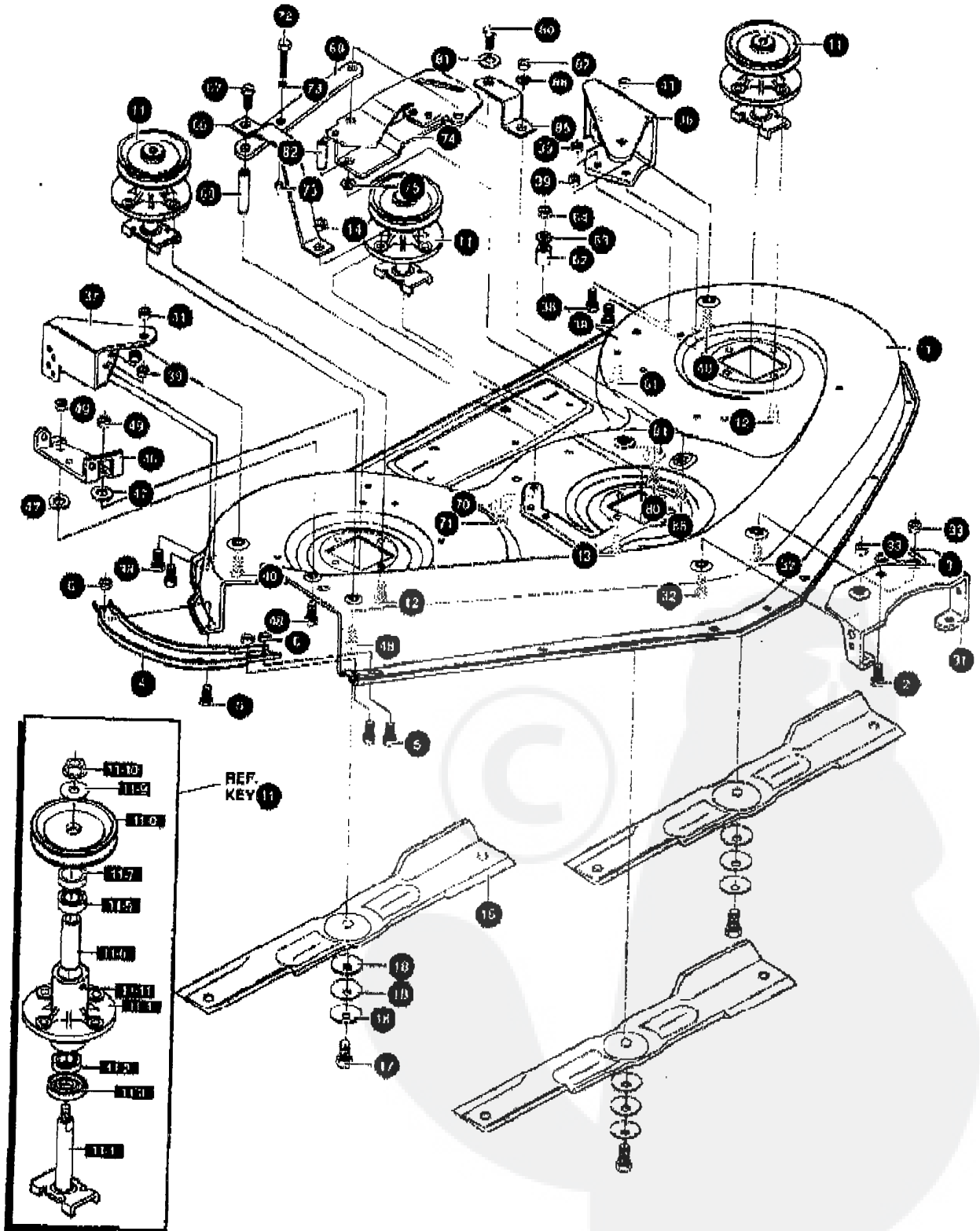
TOUTES LES PIÈCES NON REFERÉES SONT INTERCHANGEABLES AVEC LEURS OPPOSÉS.

332432 A

TRACTEUR TONDEUSE 46" MODELE E4620-000

KEY#	PART#	DESCRIPTION	QTY
1	ENGINE	KOHLER COMAND (SEE ENGINE MANUAL)	1
2	50947	SCREW, 3/8-16X1.25 WAHHTAP	4
3	136489	WASHER, EXLK.384X.89X.04	1
4	507174	NIPPLE 3/8-18 NPT X 4" ZINC	1
6	47828	CAP, PIPE 3/8-18 NPT	1
8	50118	TUBING, .26X.50X BULK GAS LINE	13.0
16	35287	SCREW, #8-32X .38 HRWATAP	4
17	305553	MUFFLER 14/18 TWIN NLSN 22785C	1
18	331939	EXHAUST TUBE 20HP KOHLER COMM	1
19	56472	DEFLECTOR SIDE OUT (BS222573)	1
20	331940	EXHAUST TUBE 20HP KOHLER COMM	1
22	9796	BRKT, TRANSAXLE	1
23	35497	SCREW, 5/16-18X .50 WAHHTAP	2
24	44911	SCREW, 1/4 20X .75 WAHHTAP	4
25	332326-853	BRACKET,MUFFLER KOHLER COMAND	1
26	57072	BOLT, 5/16-18X .63 CARRLN	2
27	309436	PUSHNUT, 5/16 BOLT RETAINER	2
28	332317-853	SHIELD,KHLR COMAND V TWIN MFFLR	1
29	55273	NUT, 5/16-18 HXWDLLK	2
31	314797	OIL SENSOR, B&S TWIN CYL	1
39	57569	RETAINER, .311DX.62X.83 WIRE	1
41	300508	KNOB,THROTTLE CONTROL GP STYLE	1
42	309092	THROTTLE CONTROL 34.00LG CAPRO	1
43	320553	SCRFW, 10-24X.63PHPNMA CRSS	2
44	308459	NUT, #10-24 HXHDNYLK	2
45	120622	NUT, #8-32 REGHX	1
45	159586	SCREW, #8-32X .38 PHPNMA	1
50	310748	LANYARD,HOOD 15.77LG H18	1
51	318304	SCREW, 1/4-14X.75PHPNHDTAP BLK	1
62	333066	PLENUM KHLR V EURO MF H17 BLK	1
63	329236	RIVET, POP 3/16DIA X .75 LG FLG	4

TRACTEUR TONDEUSE 46" MODELE E4620-000



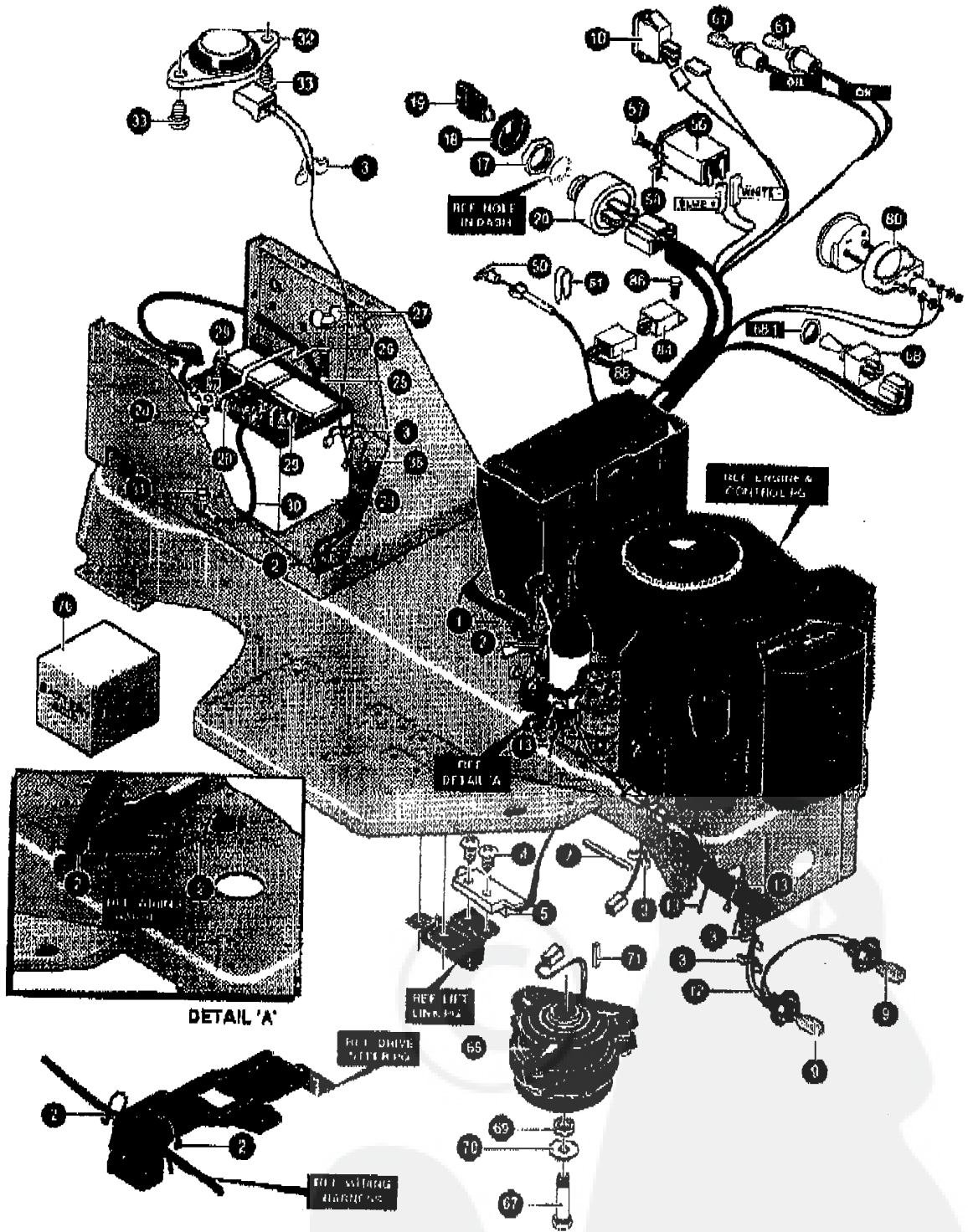
TRACTEUR TONDEUSE 46" MODELE E4620-000

KEY#	PART#	DESCRIPTION	QTY
1	322056	MOWER DECK 46"SD ASSY EURO	1
2	180077	SCREW, 5/16-18X .75 HHC	1
3	1498	NUT, 5/16-18 REGHEXCTRLK	1
4	312702	BRACE, SKID	1
5	57072	BOLT, 5/16-18X .63 CARRLN	3
6	1498	NUT, 5/16-18 REGHEXCTRLK	3
11	320038	QUILL 46" DECK W/ZERKS ASSY	3
11-1	320034	SHAFT/SADDLE 46" DECK	1
11-2	1255	BRNG. BALL 6203-A-C3 (SEAL)	1
11-3	50616	DUST SHIELD	1
11-4	320037	QUILL CASTING 46" DECK MACHINED	1
11-5	49562	BRNG. BALL 6203-2AA(SEALB)-C3	1
11-6	320032	SPACER, SLEV .889X .88X4.281	1
11-7	320567	SPACER QUIL, 46 INCH DECK	1
11-8	320046	46" QUILL PULLEY SPLIT-STEEL	1
11-9	320566	WASHER, SPECIAL QUILL 46 DECK	1
11-10	1282	NUT, 7/16-20 WDFLLK	1
11-11	708	ZERK, GREASE FITTING	1
12	35498	SCREW, 5/16-18X .75 WAHHTAP	1
13	300345	SCREW, 5/16-18X1.38 WAHHTAP	1
14	1498	NUT, 5/16-18 REGHEXCTRLK	1
16	8664	BLADE, 32" LOW-LIFT 16 BLK	3
17	39673	SCREW, 3/8-24X1.00 NYLHHC	3
18	2483	WASHER, 3910X1.25DX 07 BELLVIL	9
31	312705	LIFT SUPT. RRKT.	1
32	57072	BOLT, 5/16-18X .83 CARRLN	2
33	1498	NUT, 5/16-18 REGHEXCTRLK	2
36	312708	BRKT. GAUGE WHEEL LH BLACK	1
37	312700	BRACKET GAUGE WHEEL R H	1
38	180077	SCREW, 5/16-18X .75 HHC	4
39	1498	NUT, 5/16-18 REGHEXCTRLK	4
40	57072	BOLT, 5/16-18X .63 CARRLN	2
41	1498	NUT, 5/16-18 REGHEXCTRLK	2
46	322248	BRACKET CHUTE MOUNT 46	1
47	120395	WASHER, FLAT .469X .92X .065	2
48	57072	BOLT, 5/16-18X .63 CARRLN	2
49	1498	NUT, 5/16-18 REGHEXCTRLK	2
51	126358	BOLT, 5/16-18X1.00 CARRLN	1
52	50520	SPACER	1
53	35214	WASHER, FLAT .328X1.06X .062	1
54	1498	NUT, 5/16-18 REGHEXCTRLK	1
56	320373	BRACKET, PULLEY SUPPORT	1
57	180134	SCREW, 3/8-16X2.50 HHC	1
58	320371	SUPPORT, STRAP	1
59	320369	SUPPORT, SHAFT	1
70	120382	WASHER, REGSPTLK.393X.68X.10	1
71	180120	SCREW, 3/8-16X .75 HHC	1
72	121940	SCREW, 1/4-20X1.75 HHC	1
73	271172	NUT, 1/4-20 REGHEXKEPS	2
74	322117	IDLER ARM40M3/46DECK EC	1
75	417098	WASHER, FLAT .531X1.06X.068	1
80	181608	SCREW, 5/16-24X1.00 HHC	2
81	120638	WASHER, HV81PTLK.328X.60X.09	2
82	320370	IDLER SHAFT 46" DECK	1
85	320372	BRACKET, IDLER SUPPORT	1
86	57001	BOLT, 3/8-16X .75 CARRLN	1
87	271190	NUT, 3/8-16 HEXKEPS	1
88	120394	WASHER, FLAT .406X .81X.085	1

TRACTEUR TONDEUSE 46" MODELE E4620-000

KEY#	PART#	DESCRIPTION	QTY
1	333386-853	DECK,46 E/C,W/Z,LL,NO ROLLE	1
6	332351	PULLEY, ENGINE EU/CL EURO LT	1
8	332963	SPACER EU/CL EURO GT	1
16	300440	GUIDE, BELT, RIDER	1
17	138538	WASHER, REGINTLK.320X.61X.03	1
18	1498	NUT, 5/16-18 REGHEXCTRLK	1
19	308011-853	BRACKET, CLUTCH STOP 40/46	1
20	180077	SCREW, 5/16-18X .75 HHC	1
21	1498	NUT, 5/16-18 REGHEXCTRLK	1
24	310326	PULLEY, IDLER BFF 4.00 WIDE FL	1
25	318869	BELT, V SL 129LG 46"EURO E/C	1
26	1348	RETAINER, BELT	1
27	446362	WASHER, FLAT .375X .88X.082	1
28	57325	BOLT, 3/8-16X2.00 CARRSN	1
29	120377	NUT, 3/8-16 REGHX	1
30	120382	WASHER, REGSPTLK.393X.68X.10	1
31	996416	WASHER, FLAT .391X1.00X.125	1
36	320376	SPRING, 46" ELECT/CLUTCH EURO	1
41	303030	PULLEY, IDLER BFF 4.00 DIA	1
42	120382	WASHER, REGSPTLK.393X.68X.10	1
43	996416	WASHER, FLAT .391X1.00X.125	2
60	319868	CLIP, 40/46 HANGER	1
62	312302	ROD, 40" REAR DECK LIFT	1
63	304443	CLEVIS	1
64	109527	NUT, 1/2-13 .458 SQ	1
65	120238	NUT, 1/2-13 HEXJAM	1
66	300317	PIN, CLEVIS .375DIA.X .81 LG	1
69	120394	WASHER, FLAT .406X .81X.065	1
70	56180	PIN, HAIR .091 DIA X1.62LG	1
81	312701	CLIP, BLACK	2
82	180077	SCREW, 5/16-18X .75 HHC	2
83	1498	NUT, 5/16-18 REGHEXCTRLK	2
84	321344	ROD, LIFT EURO GT 46"DECK	1
85	306283	CLEVIS, SLOT EURO	1
86	304443	CLEVIS	1
87	109527	NUT, 1/2-13 .458 SQ	2
88	120238	NUT, 1/2-13 HEXJAM	2
89	300317	PIN, CLEVIS .375DIA.X .81 LG	2
90	120394	WASHER, FLAT .406X .81X.065	2
91	56180	PIN, HAIR .091 DIA X1.62LG	2
151	320569	GUARD BELT R.H. 46"DECK LF	1
152	120366	BOLT, 5/16-18X2.25 CARRLN	3
153	120369	WASHER, FLAT .344X .89X.065	3
154	1498	NUT, 5/16-18 REGHEXCTRLK	3
155	321173	SPACER, GUARD 46" LF/EURO -LONG	3
161	323073	GUARD, BELT LH PLASTIC	1
162	67072	BOLT, 5/16-18X .63 CARRLN	3
163	120383	WASHER, FLAT .344X .89X.065	3
164	1498	NUT, 5/16-18 REGHEXCTRLK	3
180	302811	GAUGE WHEEL, EURO 6.000OX1.38WD	2
181	23763	BOLT, .500X1.390 HSSH 3/8-16	2
182	1498	NUT, 3/8-16 REGHXCTRLK	2
186	304733	CHUTE, DISCHARGE 46" DECK	1
187	314975	SPRING, TORSION CHUTE DEFLECTOR	1
188	305251	ROD, PIVOT 46"DECK .312DX8.12	1
189	309436	PUSHNUT, 5/16 BOLT RETAINER	1
201	310800-853	CHANNEL DRAWBAR 46" EURO	1
202	58247	NUT, ADJUST	2
203	180079	SCREW, 5/16-18X1.00 HHC	2
204	1498	NUT, 5/16-18 REGHEXCTRLK	2
205	302963	ROD, DRAWBAR	1
206	56180	PIN, HAIR .091 DIA X1.62LG	1

TRACTEUR TONDEUSE 46" MODELE E4620-000



UTILISEZ DES PIÈCES D'ORIGINE POUR CONSERVER L'APPLICATION DE LA GARANTIE.

TOUTES LES PIÈCES NON REFEREES SONT INTERCHANGEABLES AVEC LEURS OPPOSEES.

332433 B

TRACTEUR TONDEUSE 46" MODELE E4620-000

KEY#	PART#	DESCRIPTION	QTY
1	331583	HARNESS, KOHLER COMAND E/C WIRE	1
2	57444	TIE, CABLE BLACK NYLON 5.62L	6
3	41482	PRESS CLIP, 1.380LG, 255ID	5
4	57220	SCREW, #12 X .50 PHPNHTAP BLK	2
5	57476	SWITCH, SCR MNT DP NC NO BLK	1
7	52151	EDGING (78"-47453) WIDE BLK	3
9	52572	BULB, HEADLAMP	2
10	300304	LIGHT SWITCH ON/OFF PANEL MNT	1
12	303064	ASSY, LIGHT WIRE-1/4 TURN	1
13	57444	TIE, CABLE BLACK NYLON 5.62L	3
17	327352	NUT, 5/8-SACME DELTA FOR BOOT	1
18	300194	BOOT, IGN SWITCH	1
19	327350	KEY, IGNITION DELTA	2
20	327355	SWITCH, IGN (AFTER FIRE) 3 POSN	1
24	306684	BATTERY, 12V	1
25	57551	ROD, BATTERY	1
26	302912	ROD, BATTERY TOP, 20SDI	1
27	325232	NUT, WING 1/4-20 NYLON	1
28	180020	SCREW, 1/4-20X .75 HHC	2
29	271172	NUT, 1/4-20 REGHEXKEPS	2
30	55511	WIRE, GROUND, 12.5"	1
31	271184	NUT, 5/16-18 HEXKEPS	1
32	57547	SWITCH, SEAT	1
33	160505	SCREW, 1/4-20X .38PHPNHMA	2
36	57444	TIE, CABLE BLACK NYLON 5.62L	2
60	392323	CHOKE CONT KHLR COMM ERO H22	1
61	314522	CLIP, CHOKE CONTROL	1
61	57769	BULB, INDICATOR	2
66	326108	CLUTCH, EL 12/18HP REG CHARGER	1
67	215849	SCREW, 7/16-20X .50 HHC	1
68	309285	SWITCH, ELEC/CLUT ACTUATOR EURO	1
69	319522	BRNG, FL .510IDX, 100DX, 56L	1
70	120363	WASHER, REGSPTLK, 459X 78X 12	1
71	305562	KEY, SQUARE .250SQX2.12LG	1
78	^	BATTERY ACID PACK, 80 OZ.	1
80	315902	AMMETER ASSY => 309373, 121885	1
84	309284	RELAY, OPERATOR PRESENCE EURO	1
86	320553	SCREW, 10-24X .63PHPNMA CRSS	1
88	308459	NUT, #10-24 HXHDNYLK	1

^ CAN BE PURCHASED LOCALLY